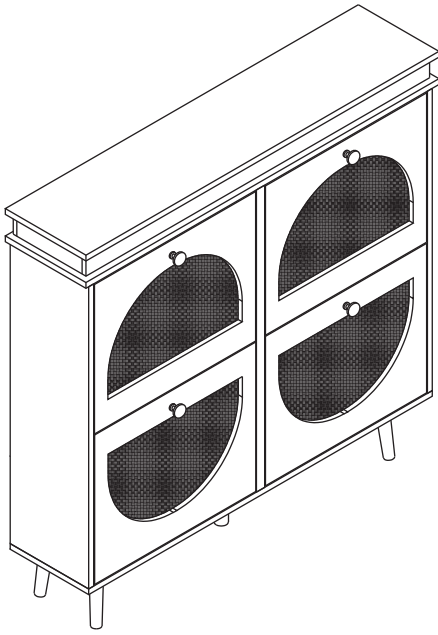



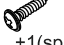

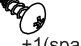






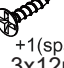




# ASSEMBLY INSTRUCTION

FZ0020037

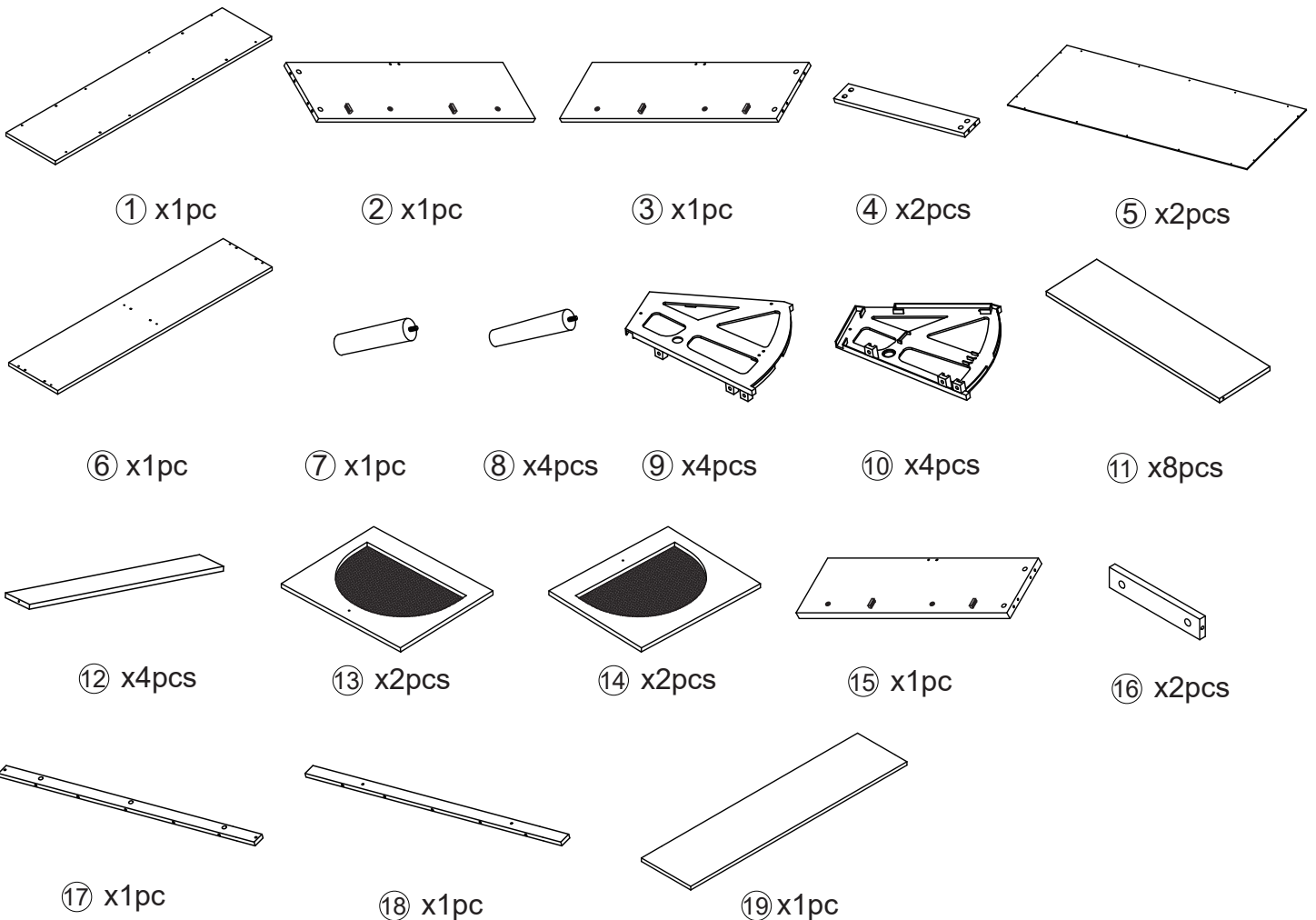
V. 230830. 01



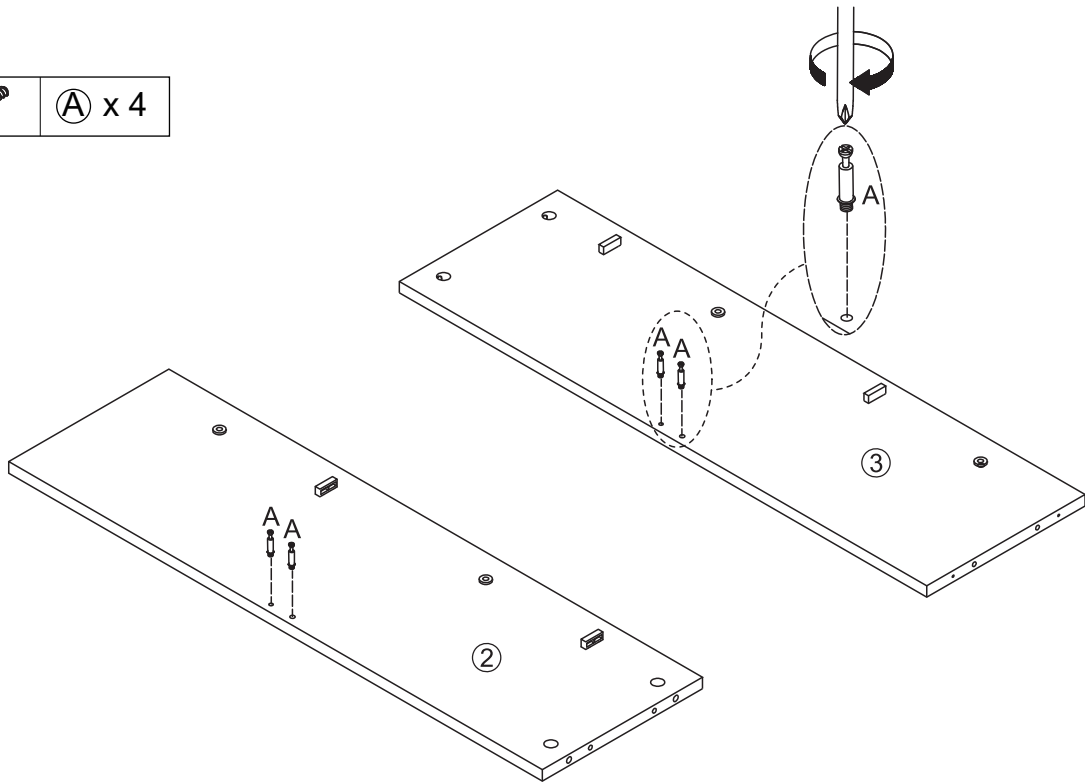
 +1(spare)	 +1(spare)	 +1(spare) 6x30mm		 +1(spare) 2.5x10mm
Ax24pcs	Bx24pcs	Cx20pcs	Dx8pcs	Ex32pcs
 +1(spare) 4x35mm	 +1(spare) 5x14mm	 4x12mm		 4x18mm
Fx14pcs	Gx20pcs	Hx8pcs	Ix2pcs	Jx4pcs
				 +1(spare) 3x12mm
Kx4pcs	Lx4pcs	Mx1pc	Nx4pcs	Ox50pcs
				 3.5x40mm
			Px2pcs	Qx2pcs



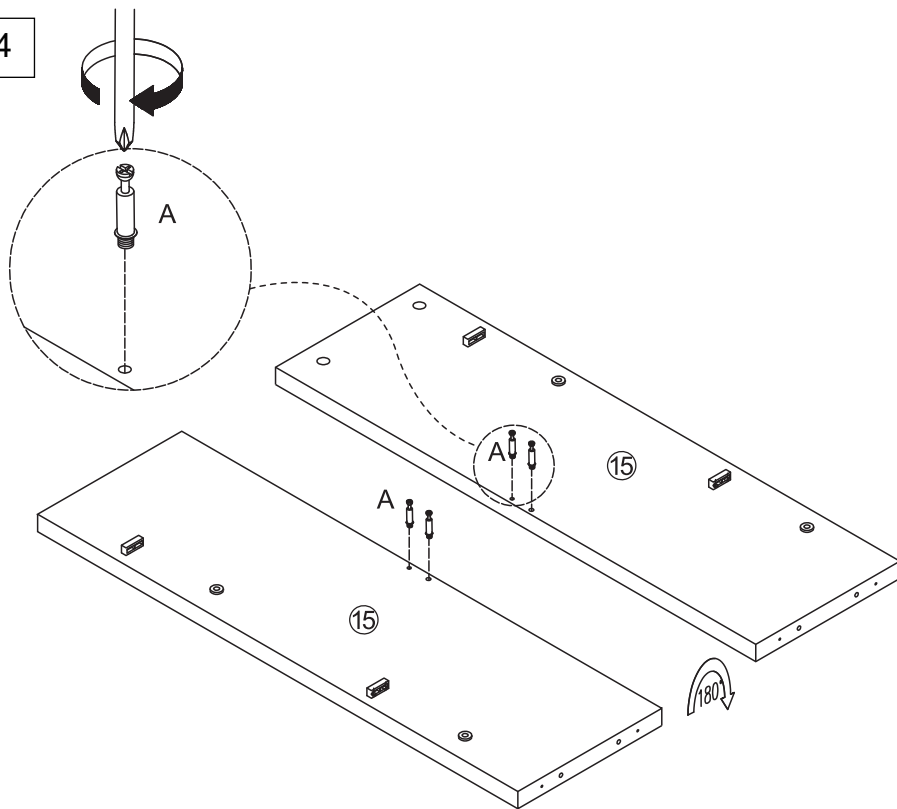
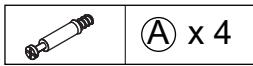
Scanning the QR code to open assembly instructions.



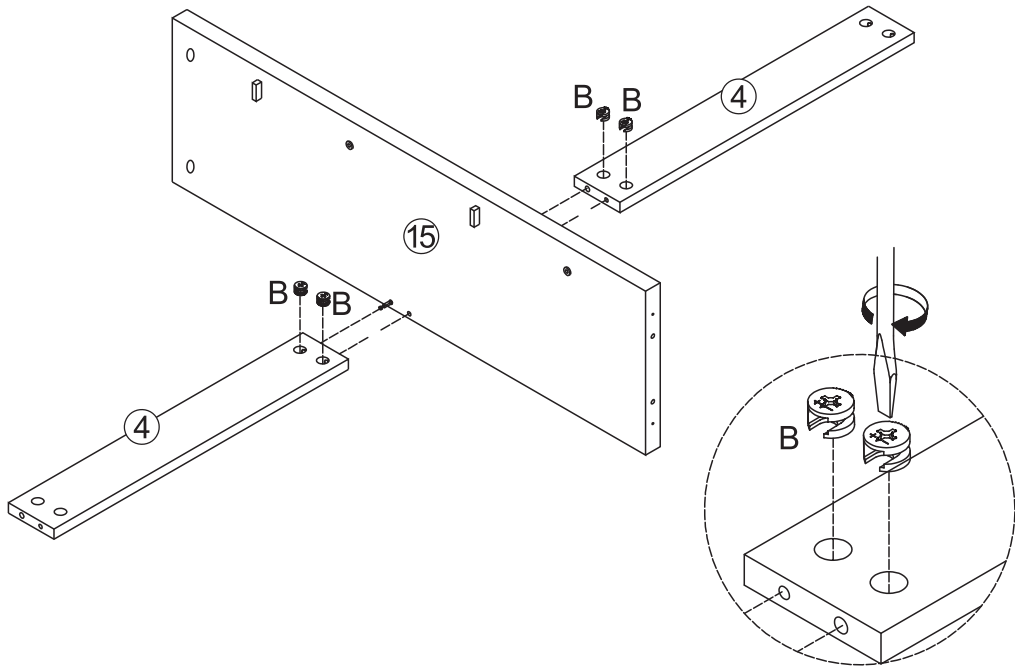
<1>



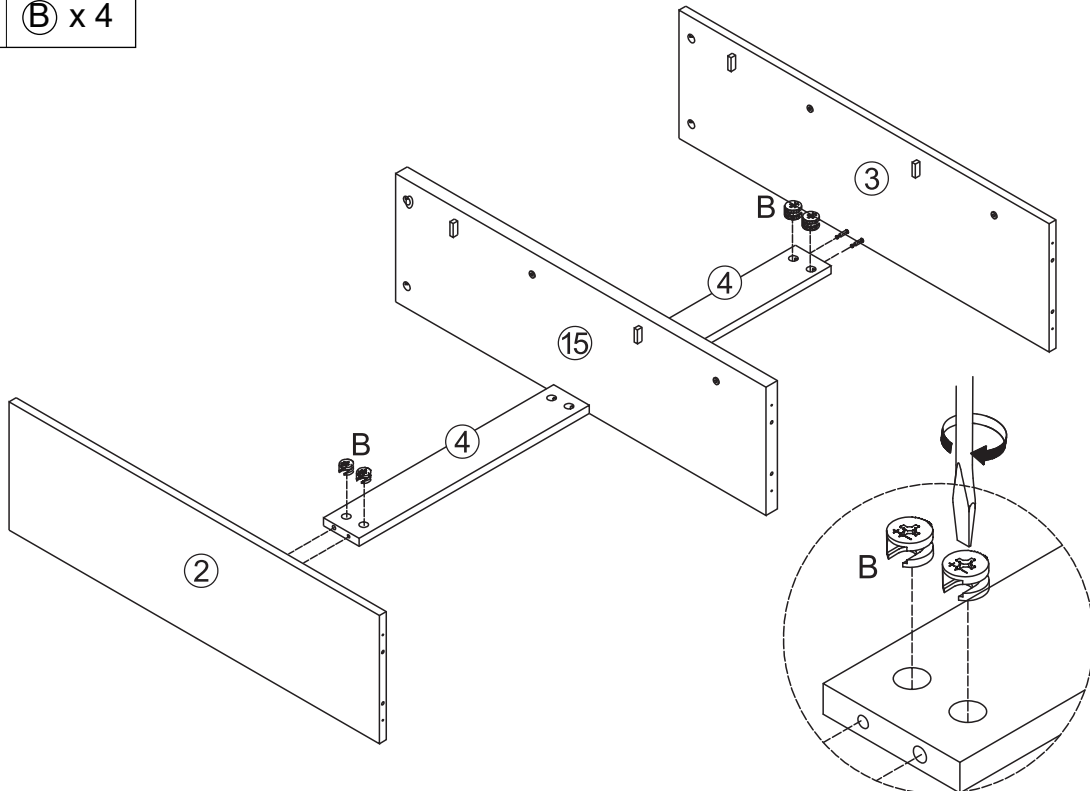
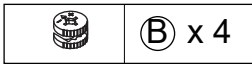
<2>



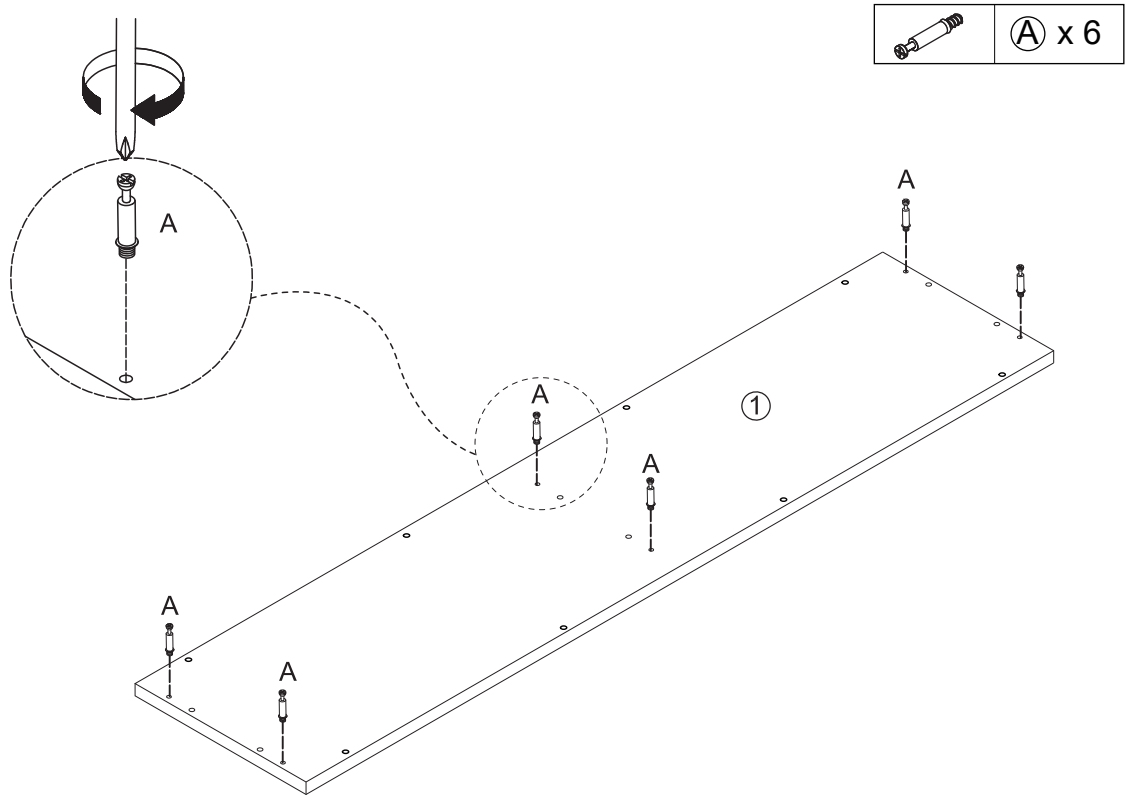
<3>



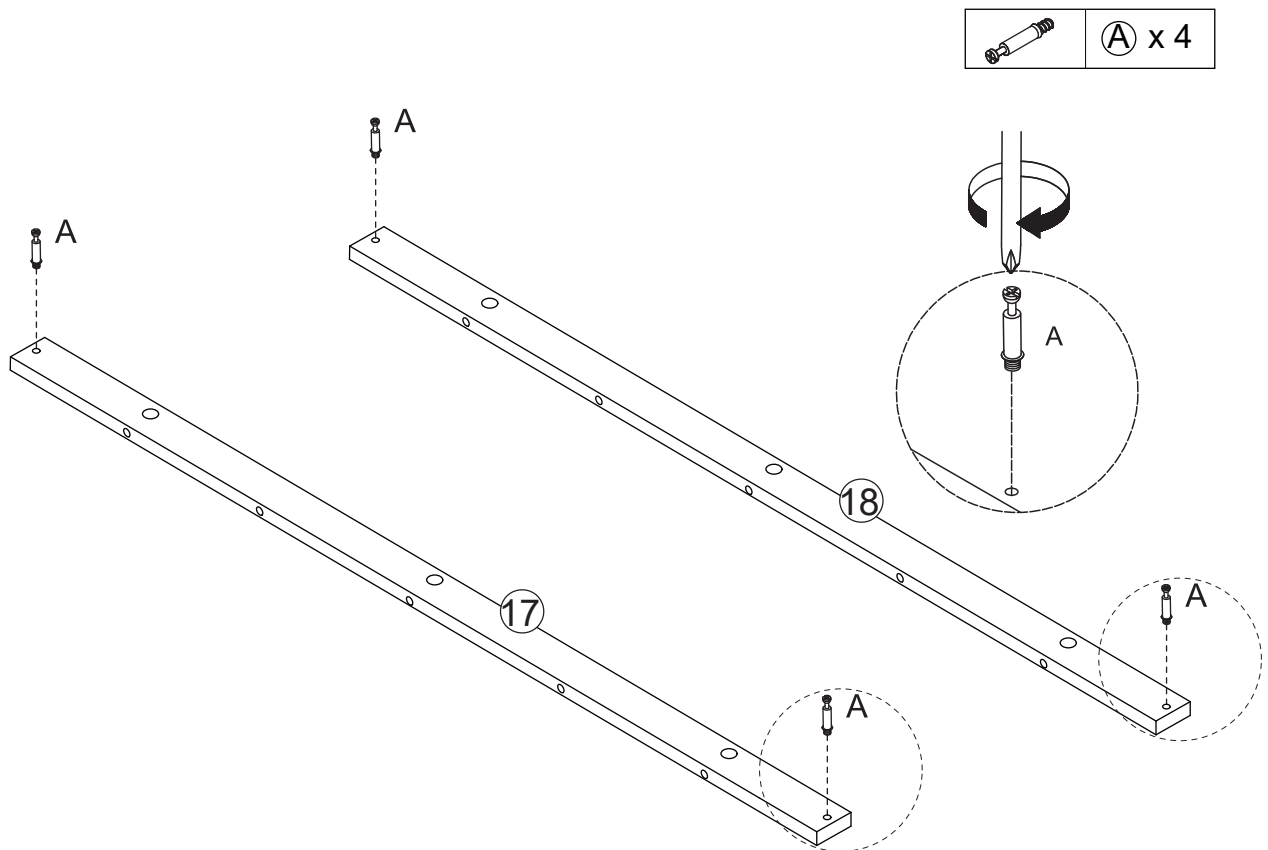
<4>



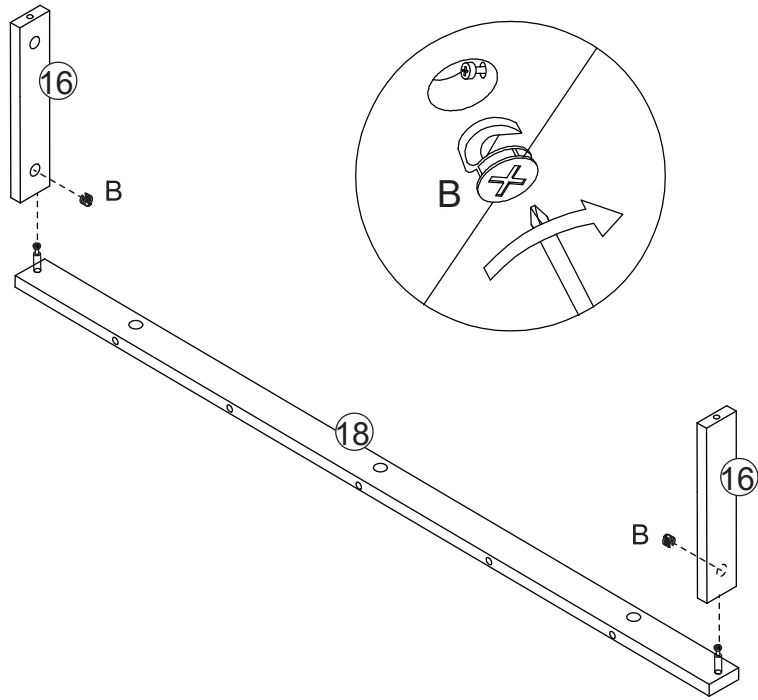
<5>



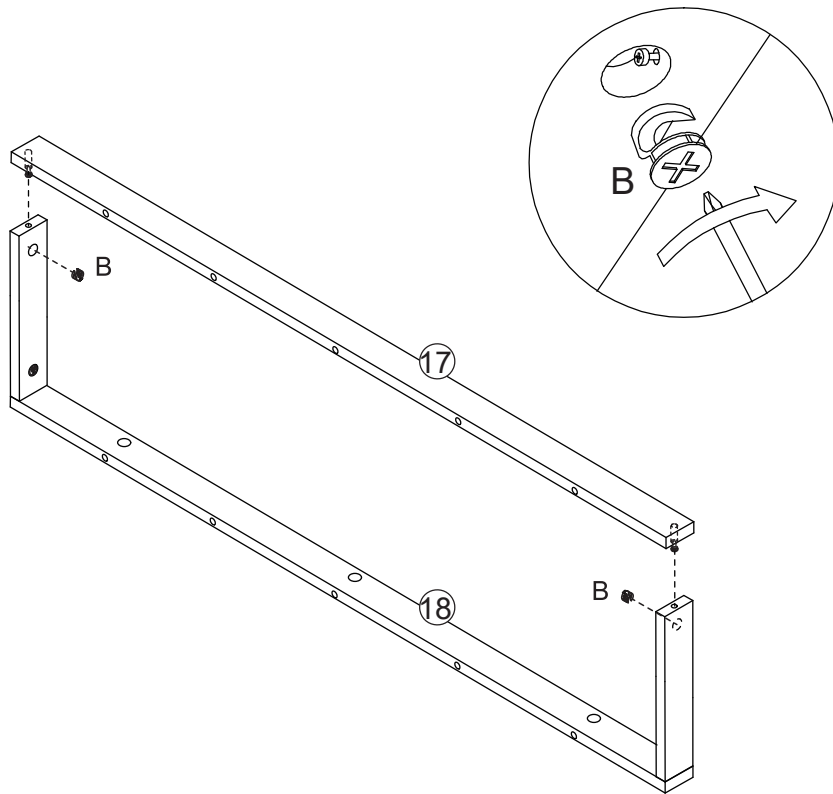
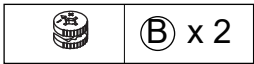
<6>



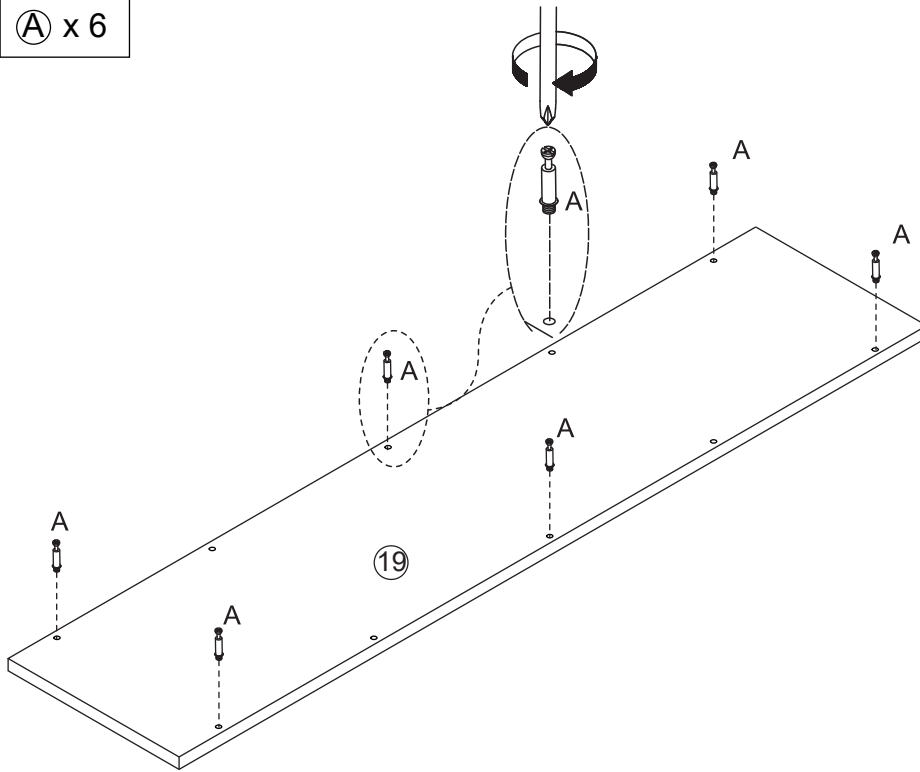
<7>



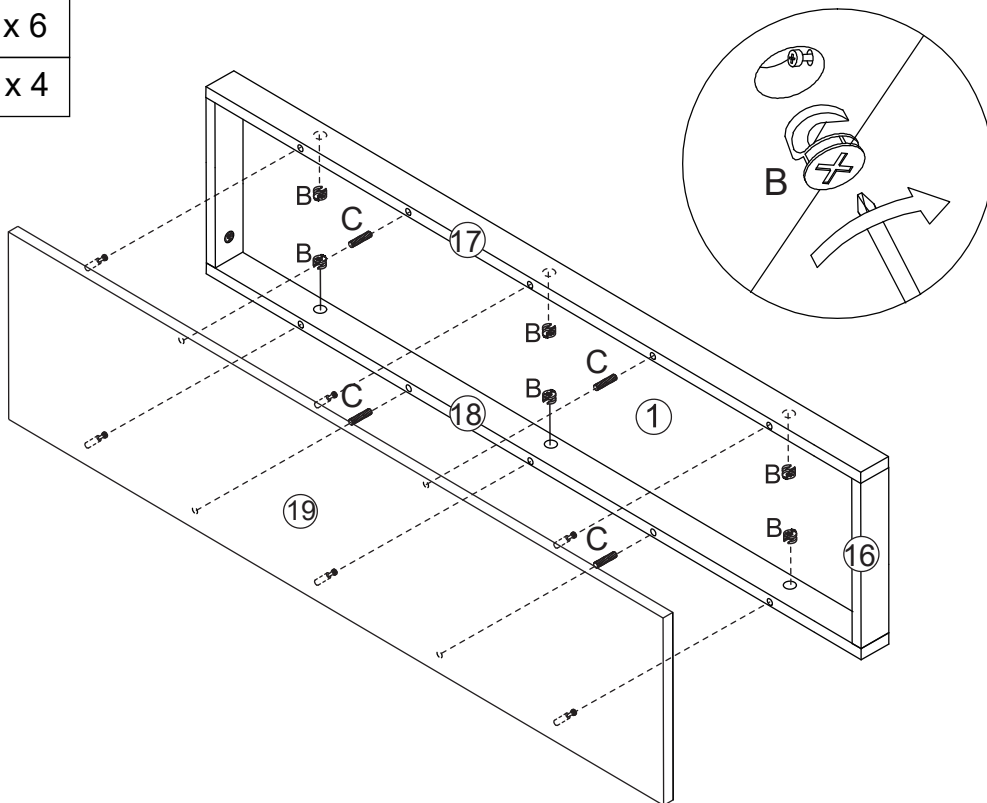
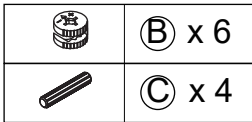
<8>



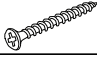

<9>

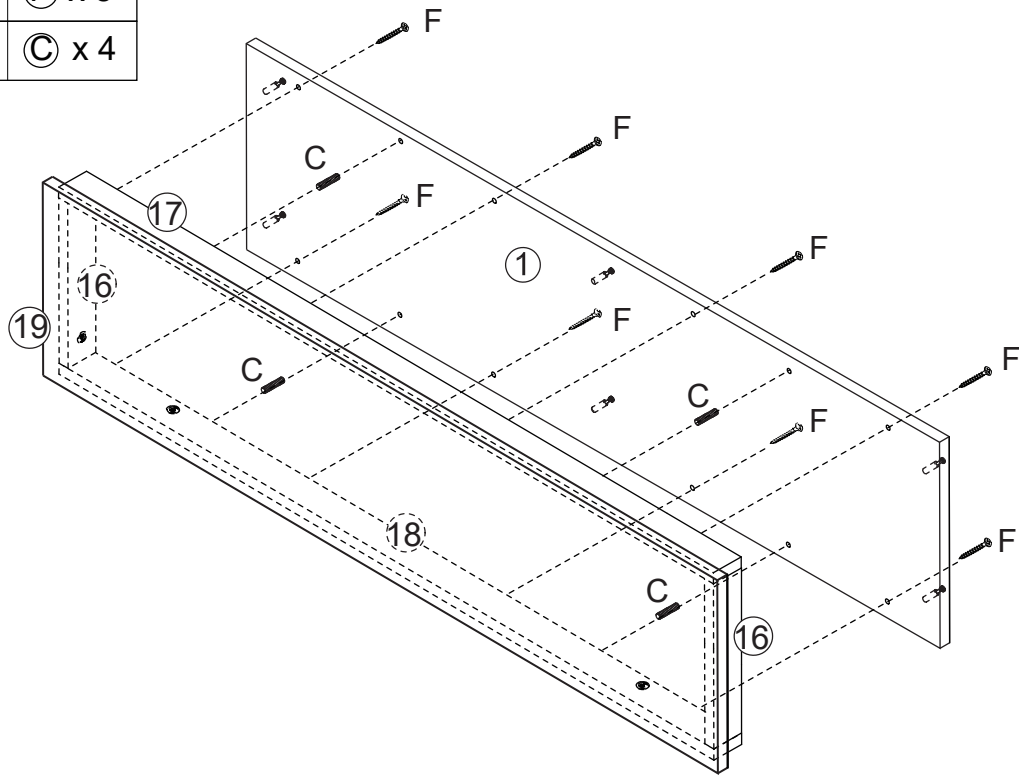


<10>





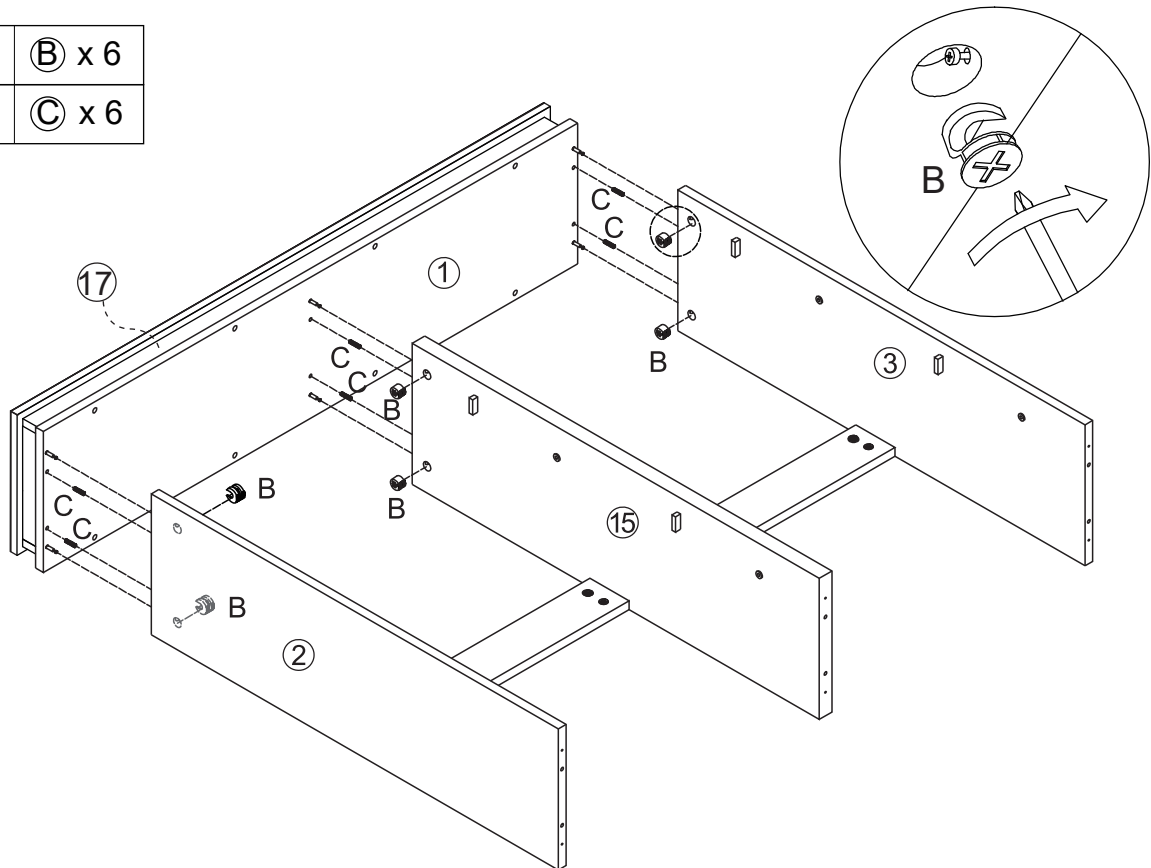
<11>

	F x 8
	C x 4

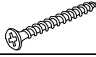



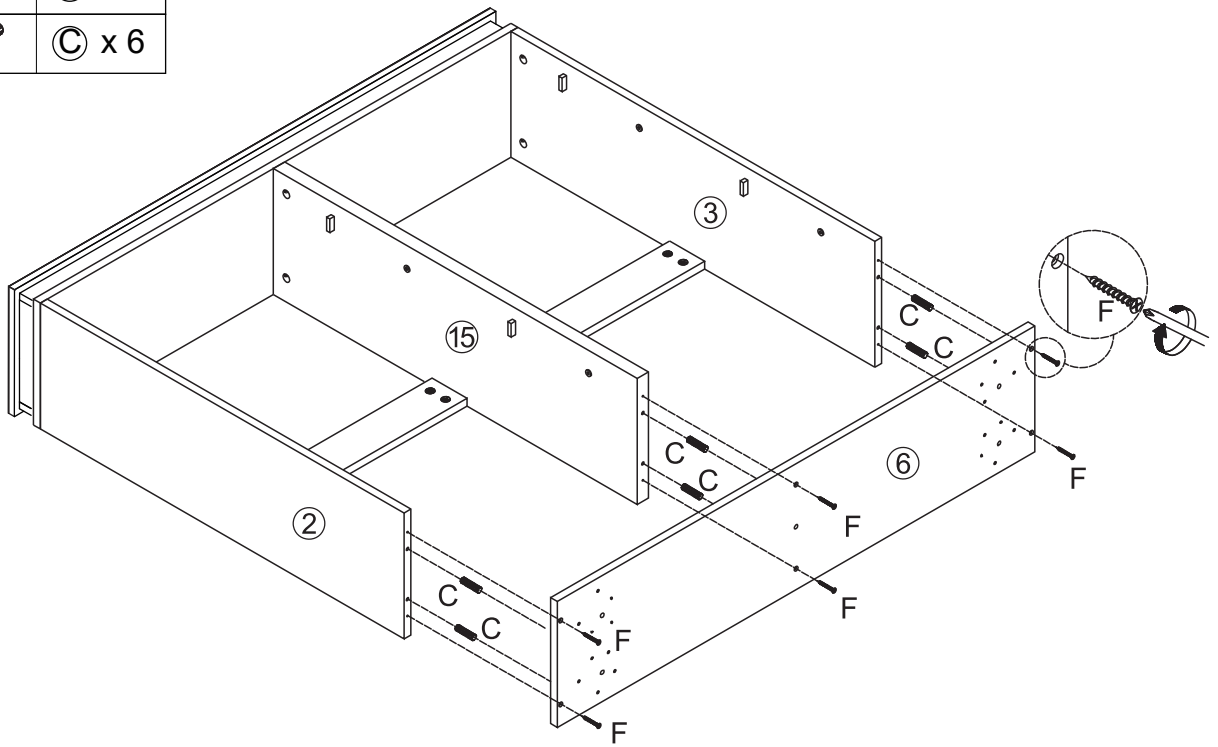
<12>

	B x 6
	C x 6





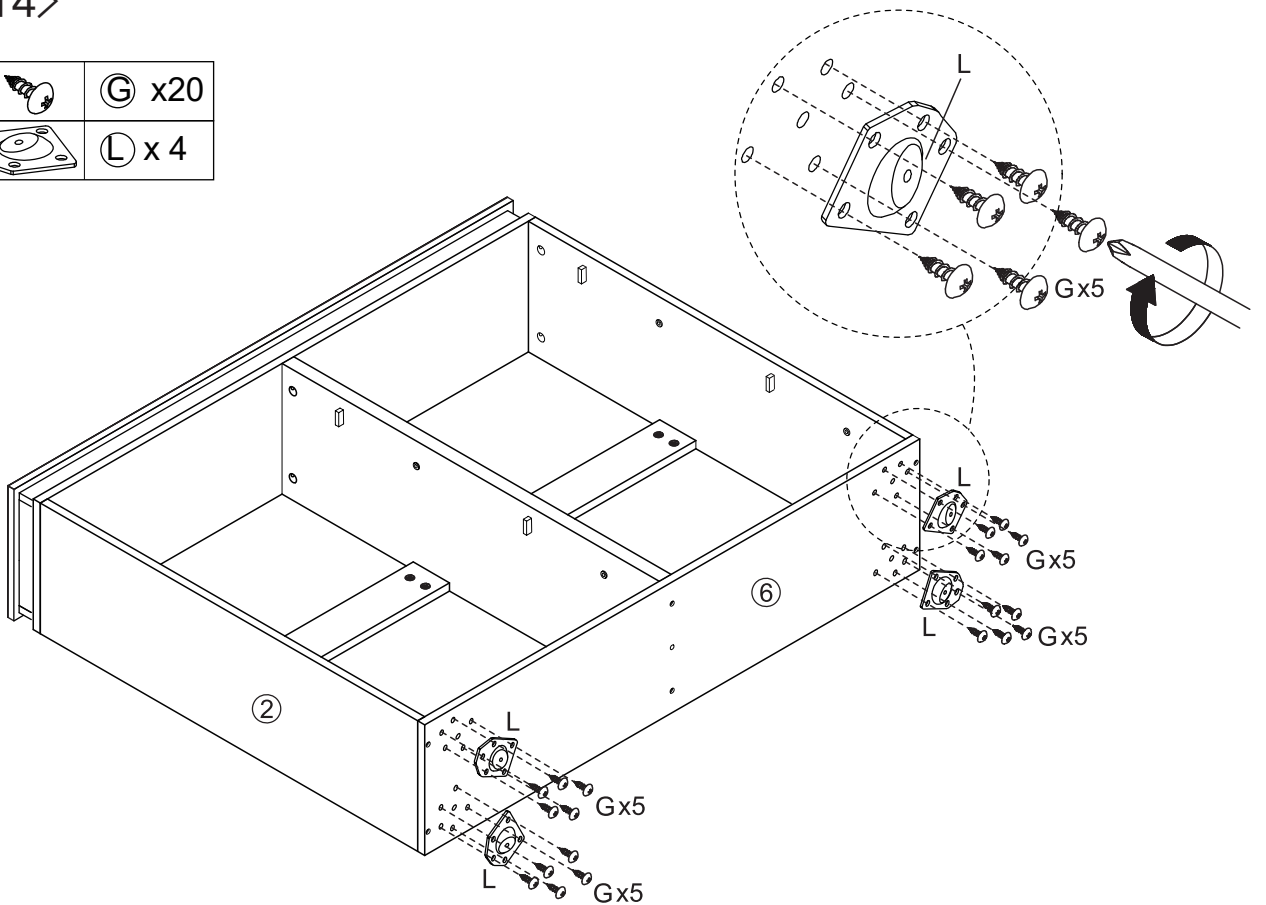
<13>

	F x 6
	C x 6





<14>

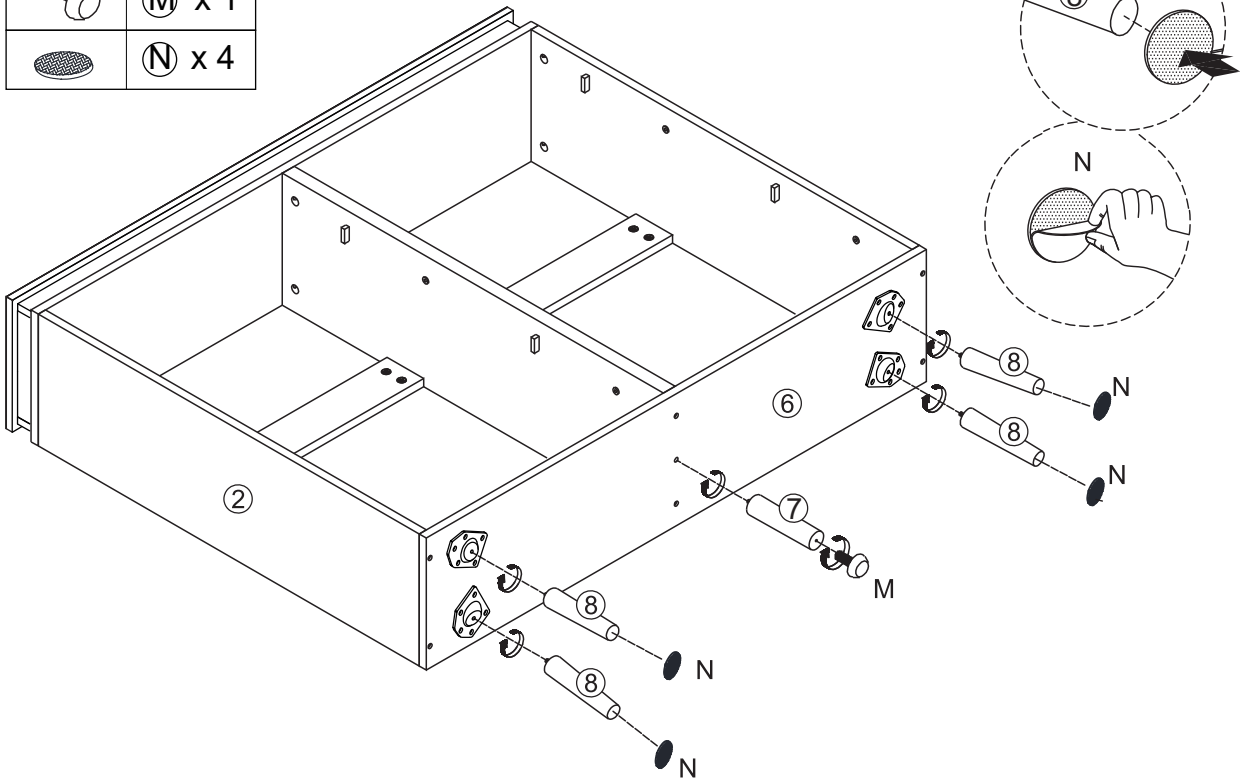
	G x 20
	L x 4






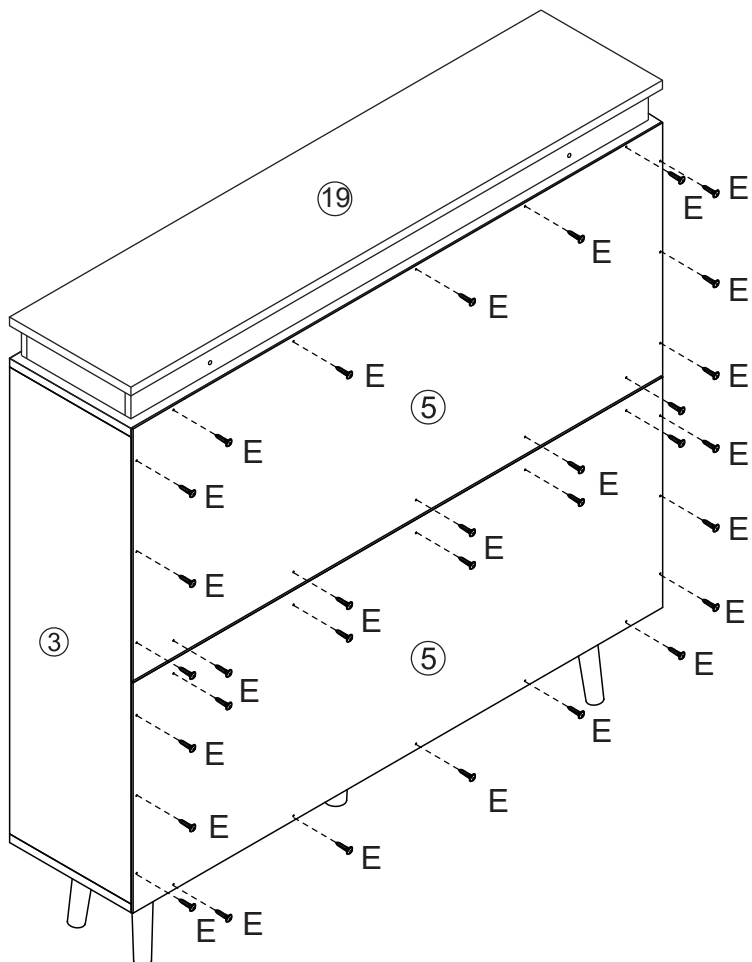
<15>

	M x 1
	N x 4





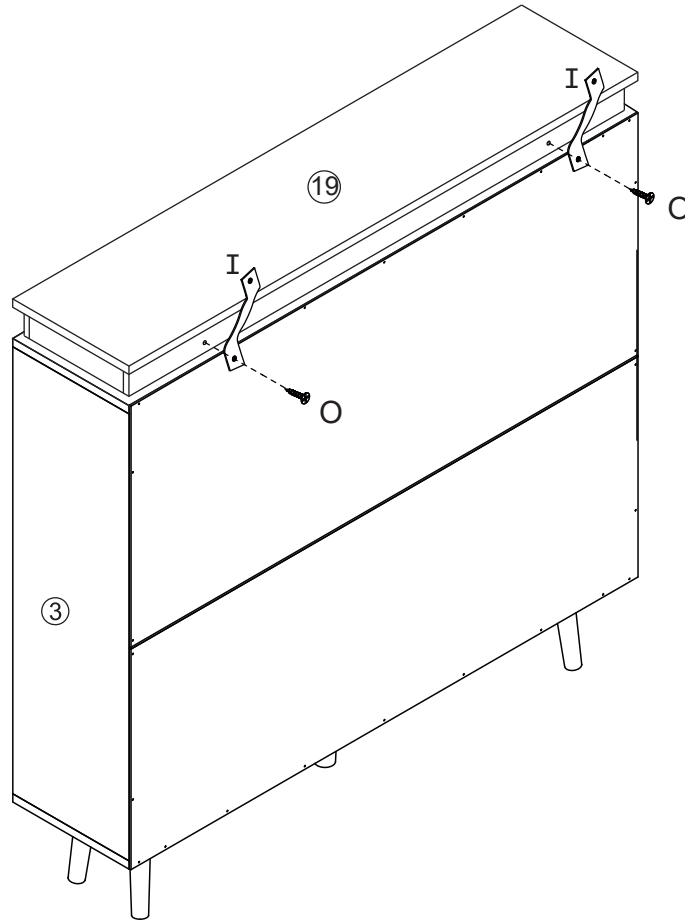
<16>

	E x32
---	-------






<17>

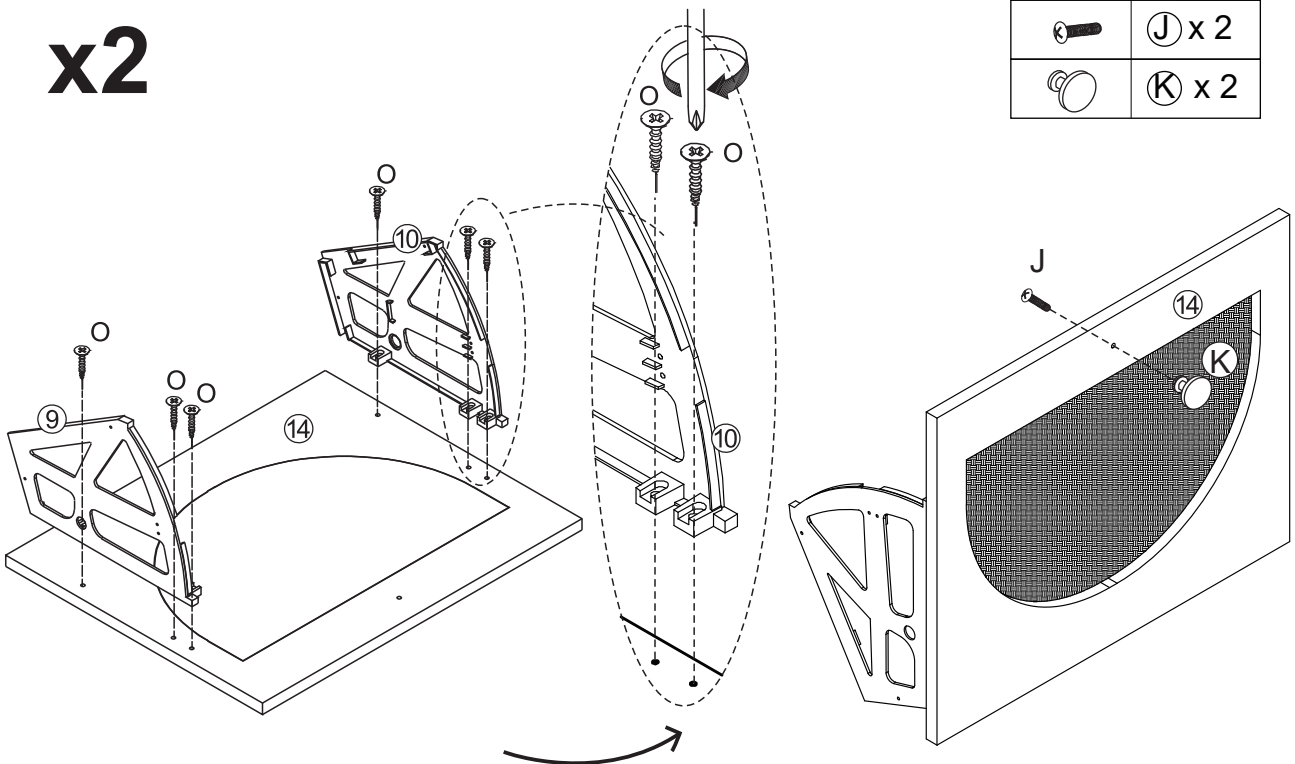
	ⓐ x 2
	ⓐ x 2



<18>

x2

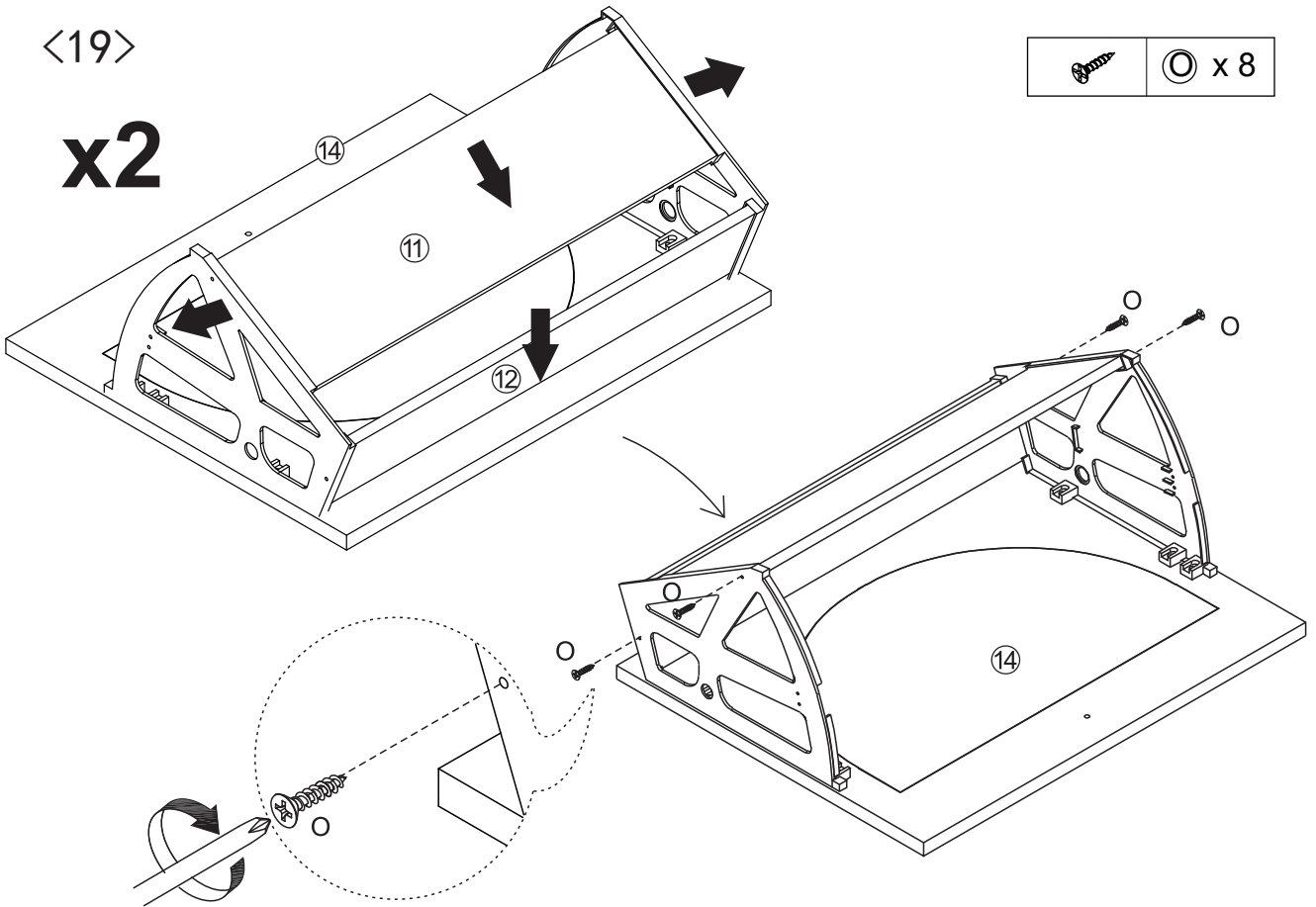
	ⓐ x12
	ⓐ x 2
	ⓐ x 2



<19>







x2

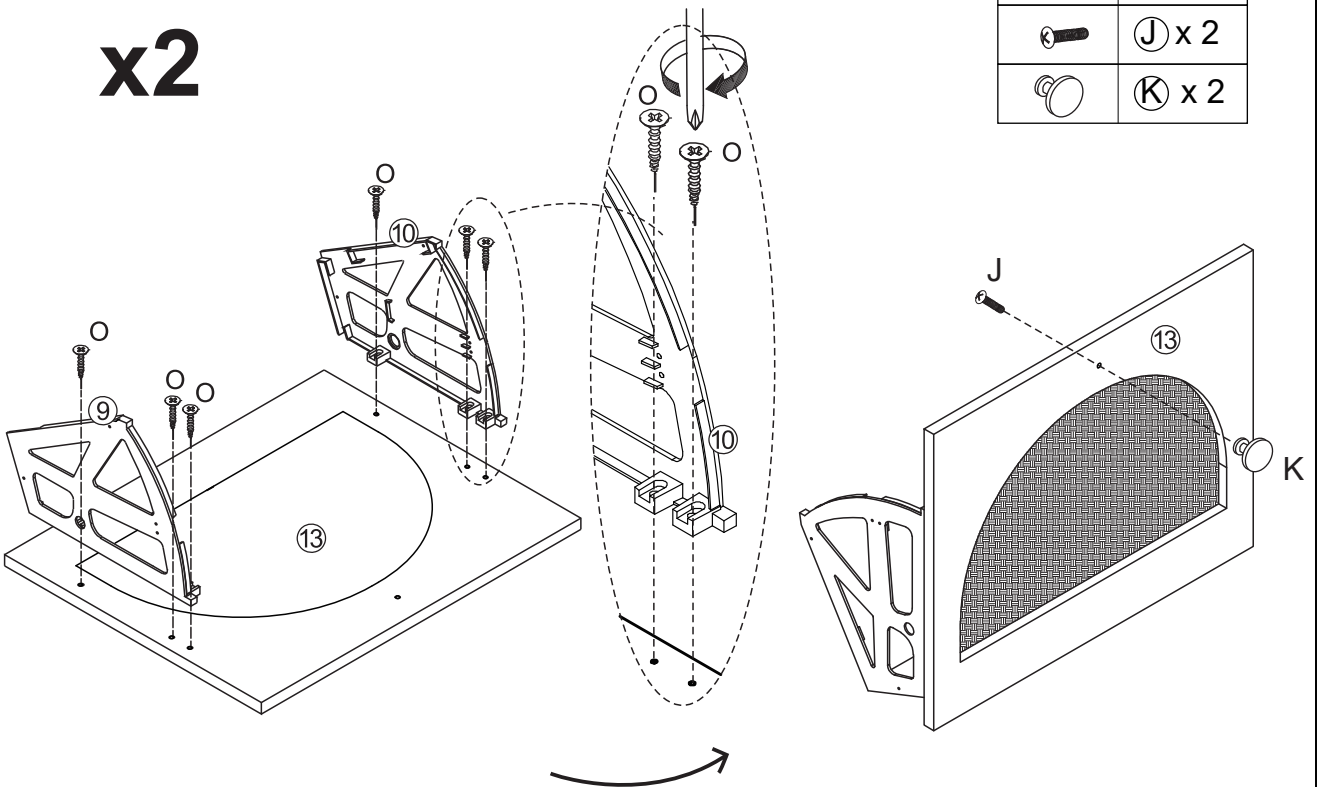
	 x 8
---	---



<20>

x2

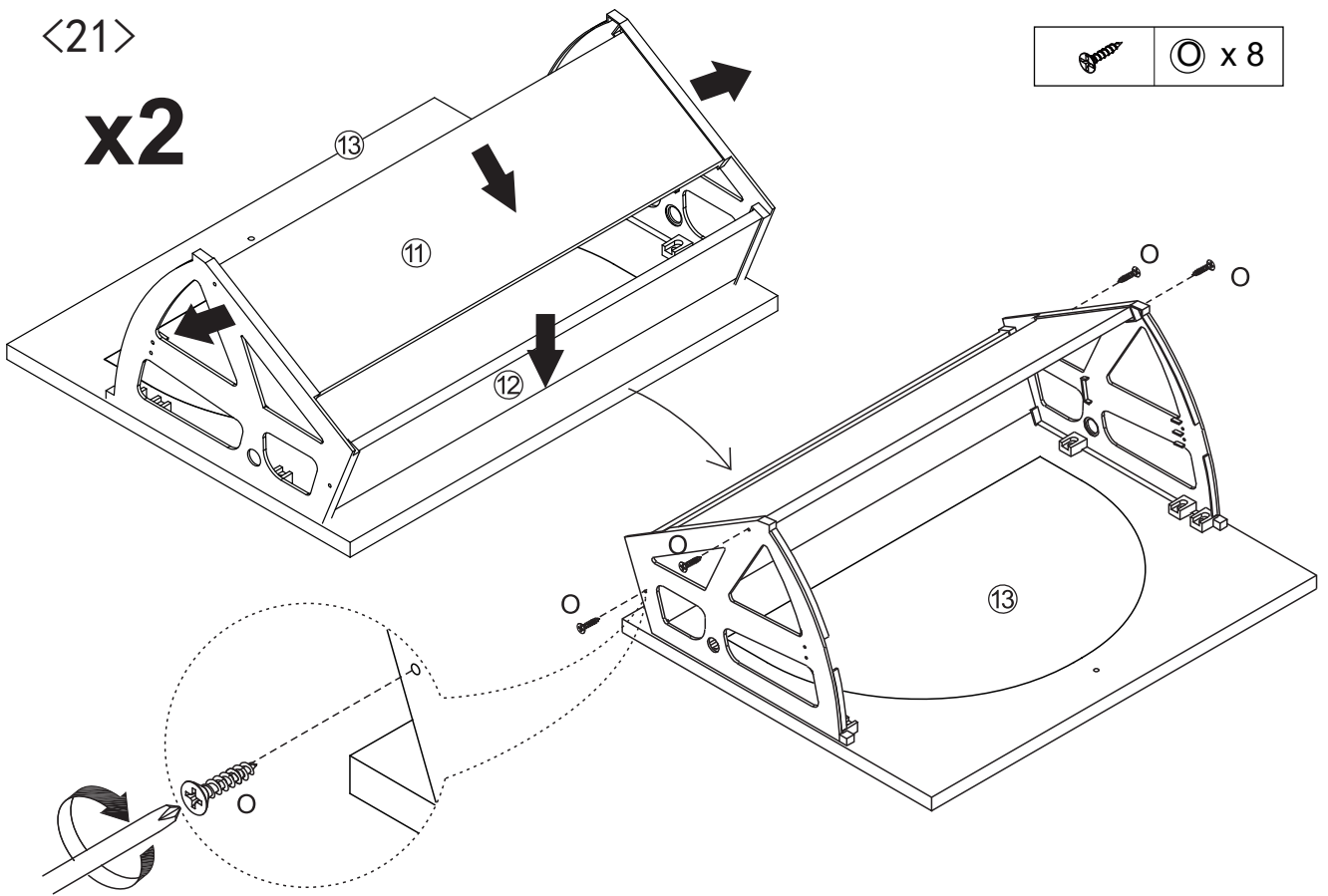
	 x12
	 J x 2
	 K x 2







<21>

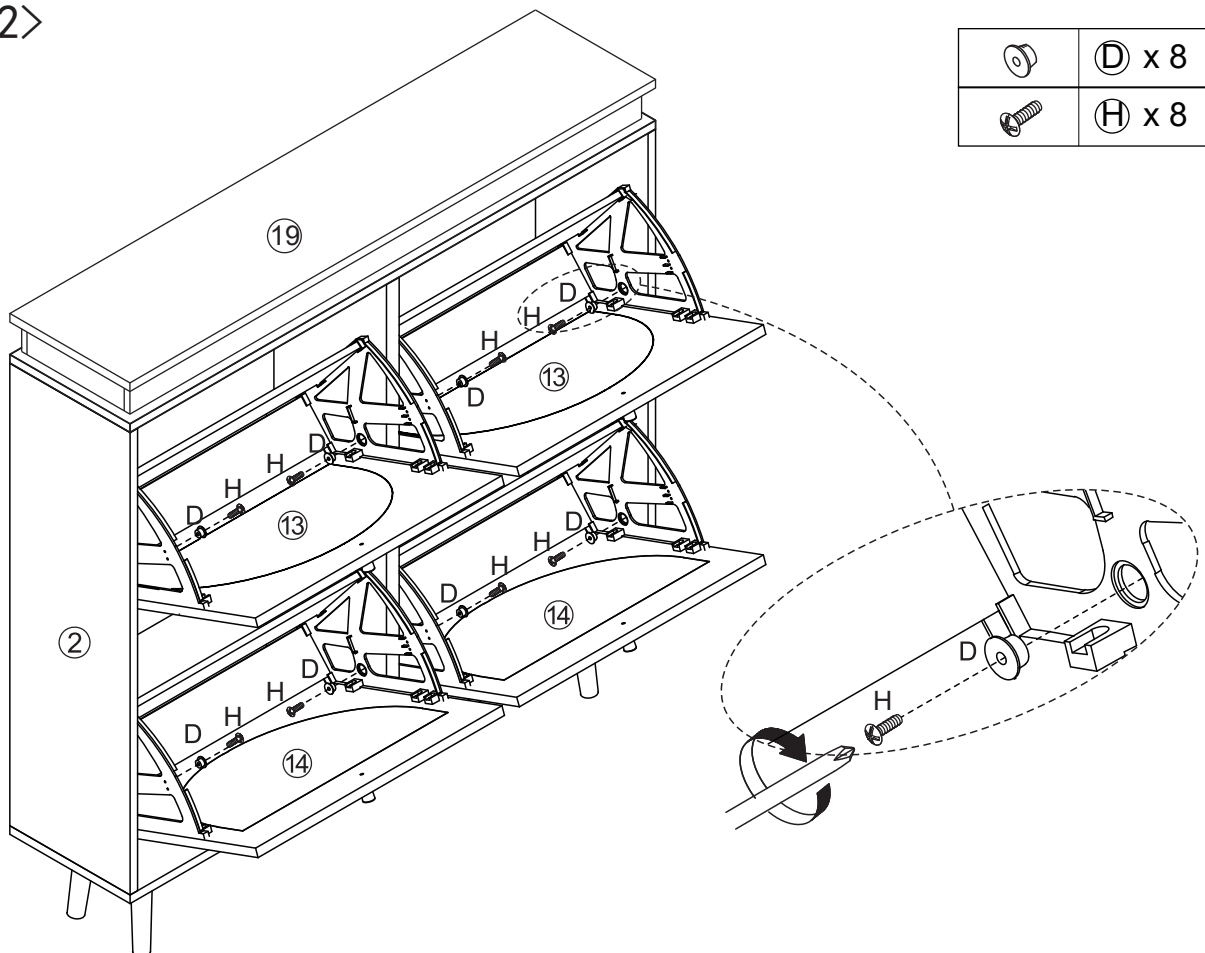
x2

	 x 8
---	---



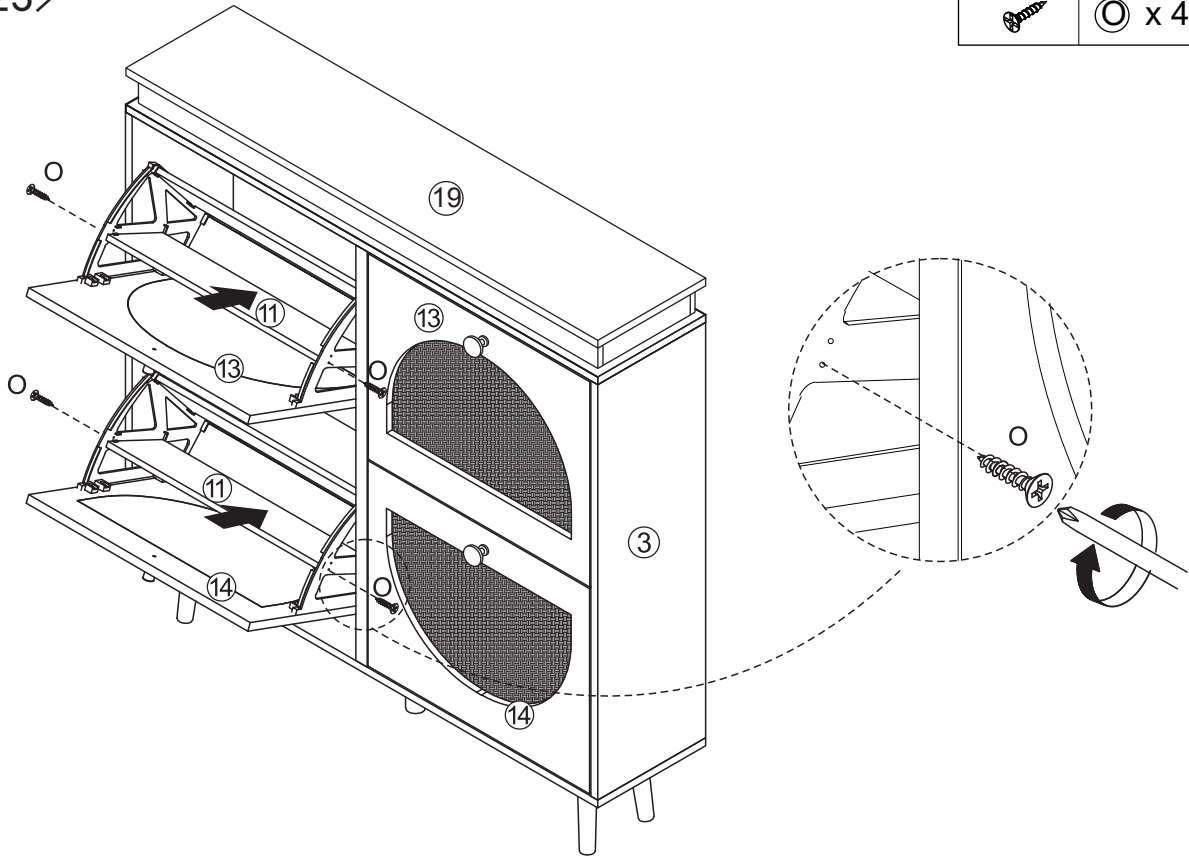
<22>

	 x 8
	 x 8



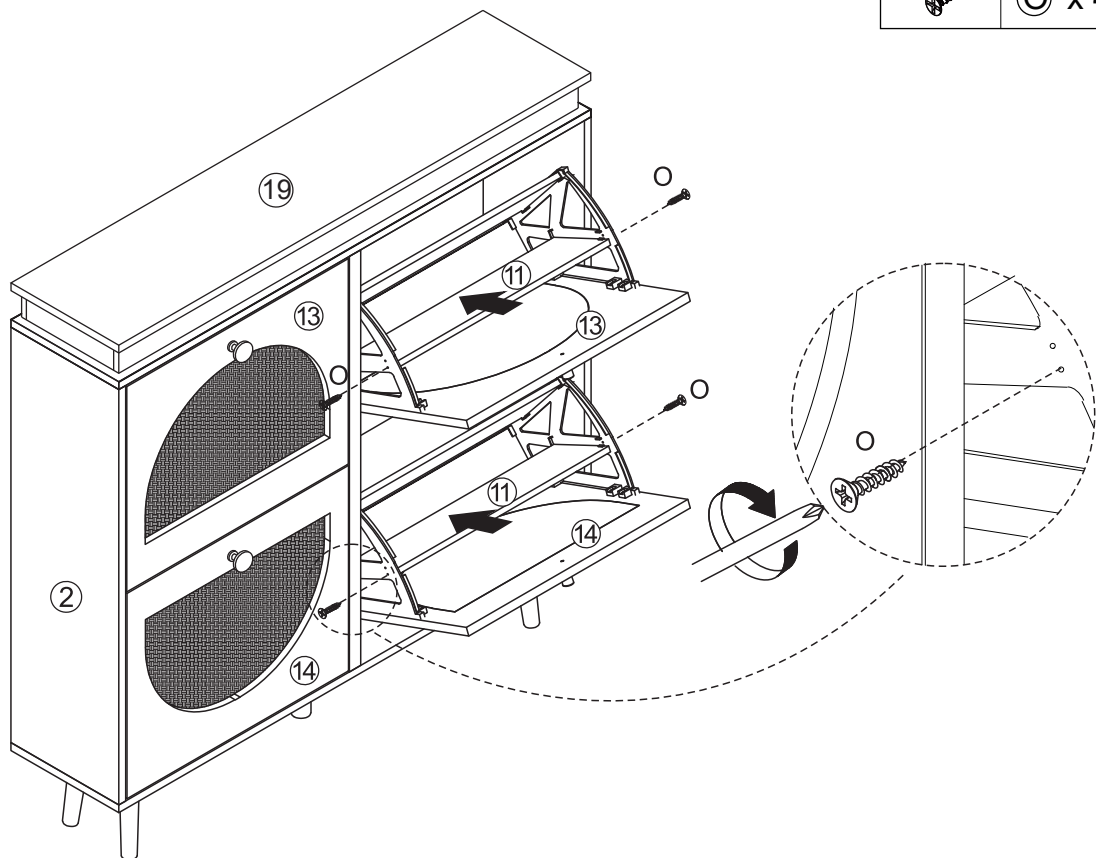
<23>

  x 4





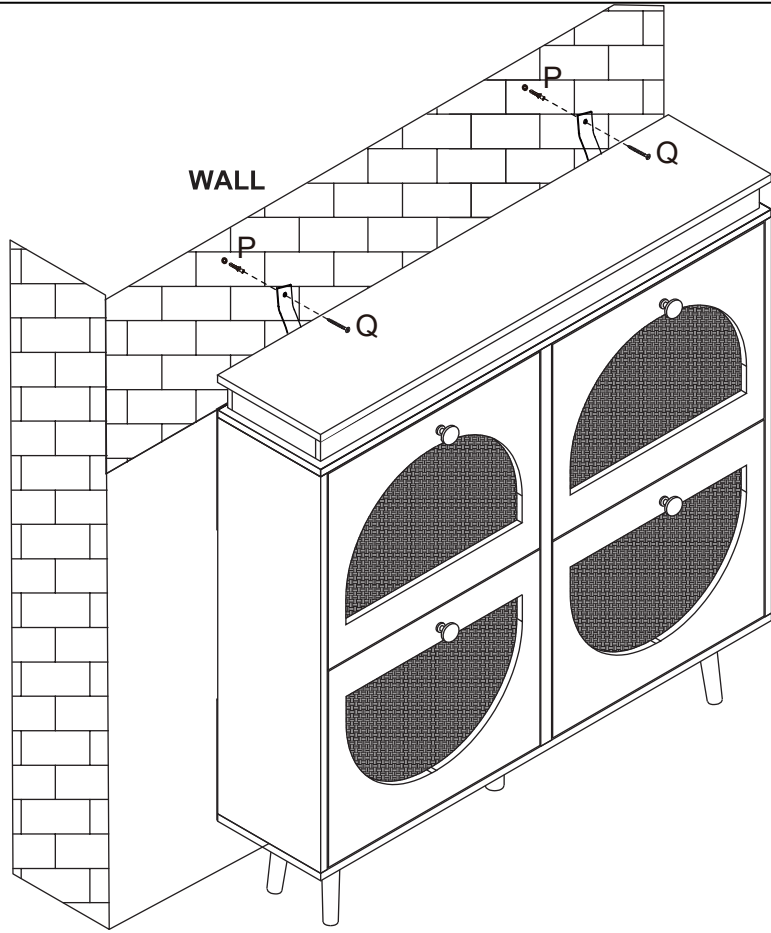
<24>

  x 4



<25>

	P x 2
	Q x 2



<26>

