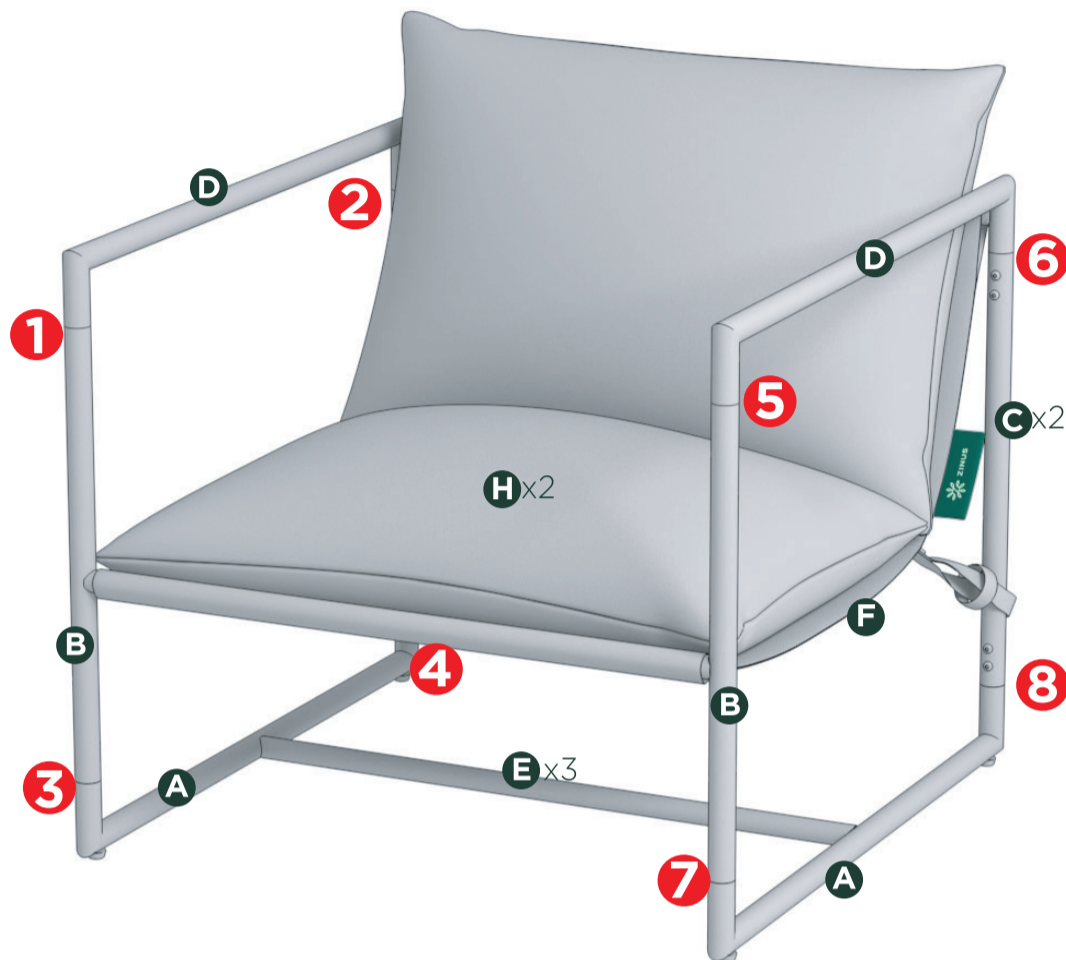


# Easy as 1-2-3 Assembly Instruction

Numbers must Match for Secure Assembly



## USHSL-31

### Components



### THIS PRODUCT REQUIRES ADULT ASSEMBLY

If any part is missing or if you have any questions regarding the product, please call our customer service team or send us an email and have this assembly manual open to the components list ready to provide the model name and component number.

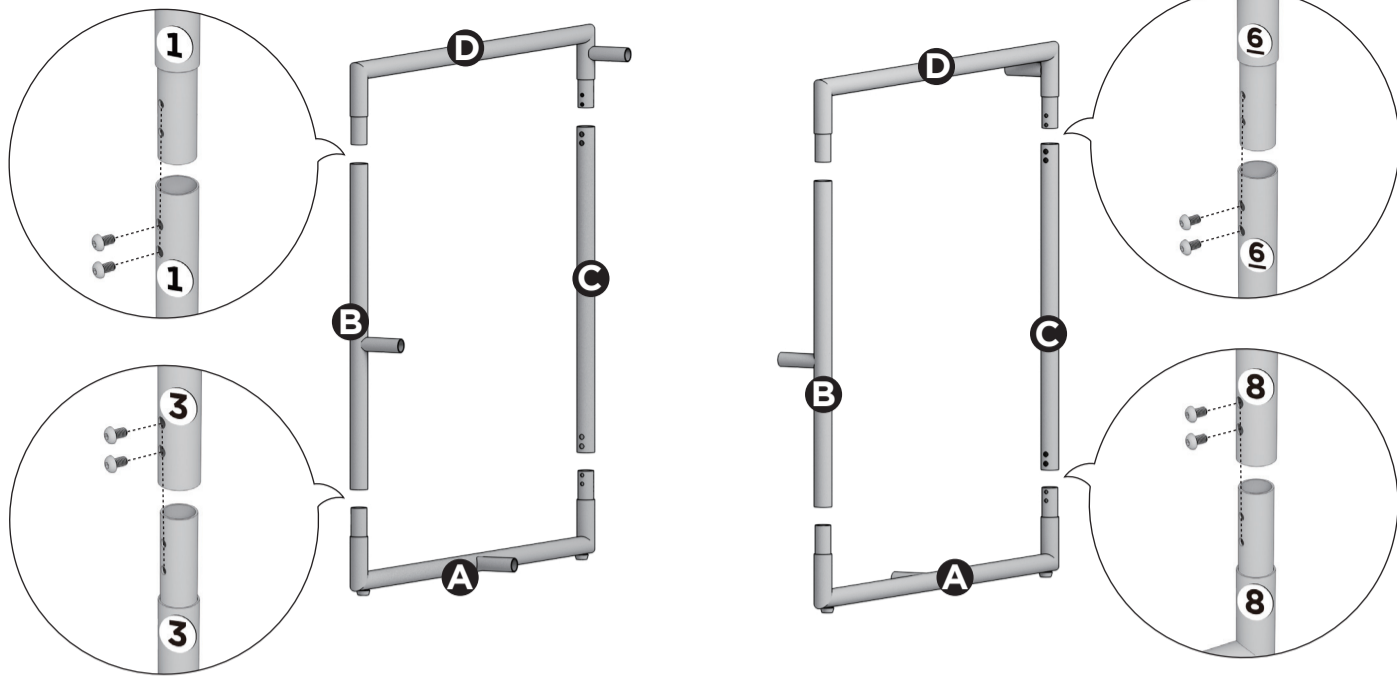
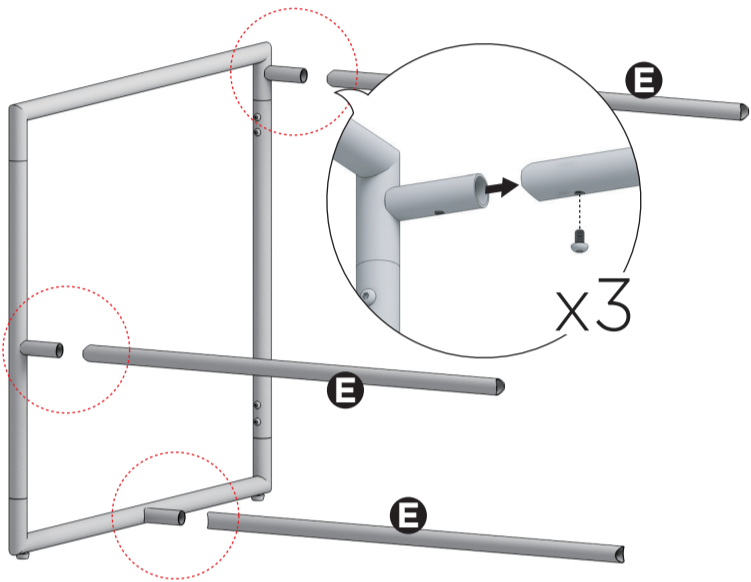
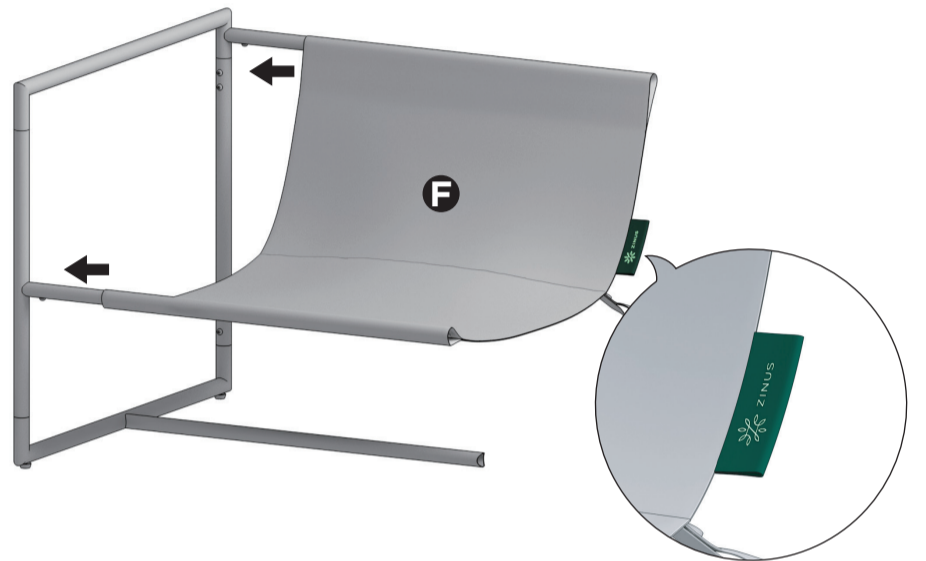
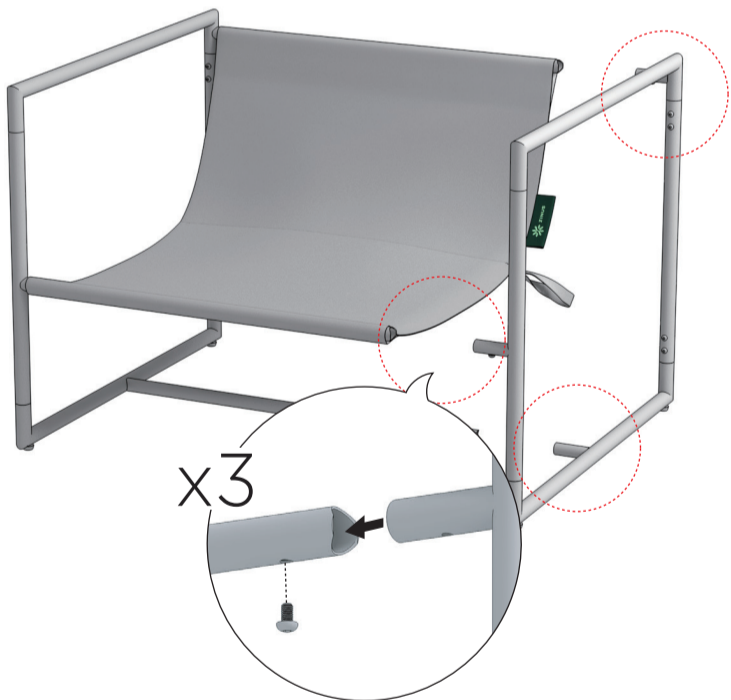
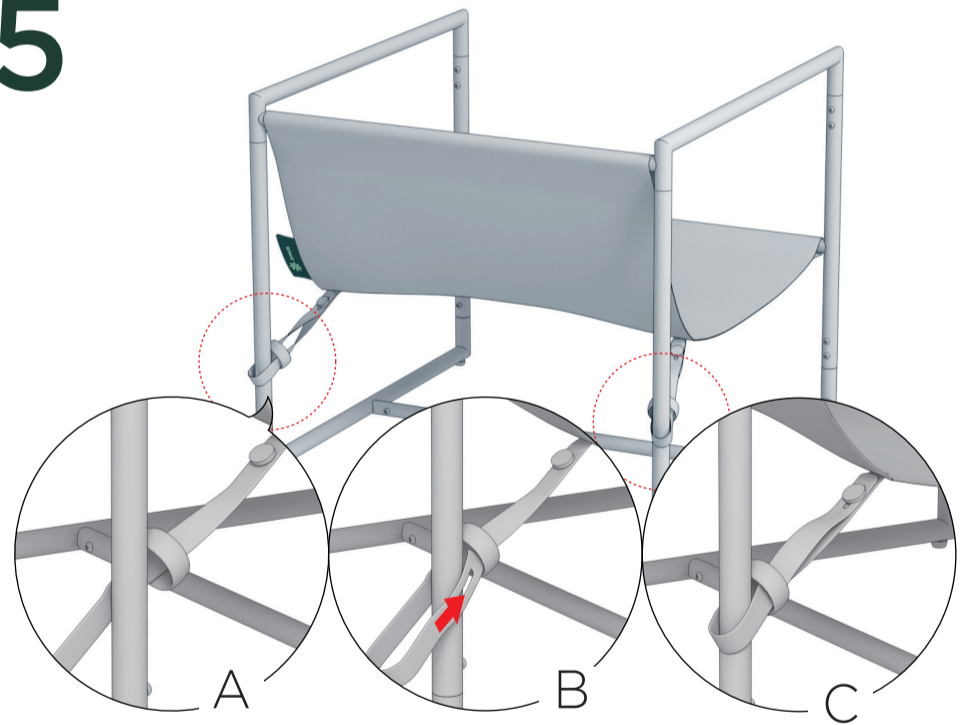
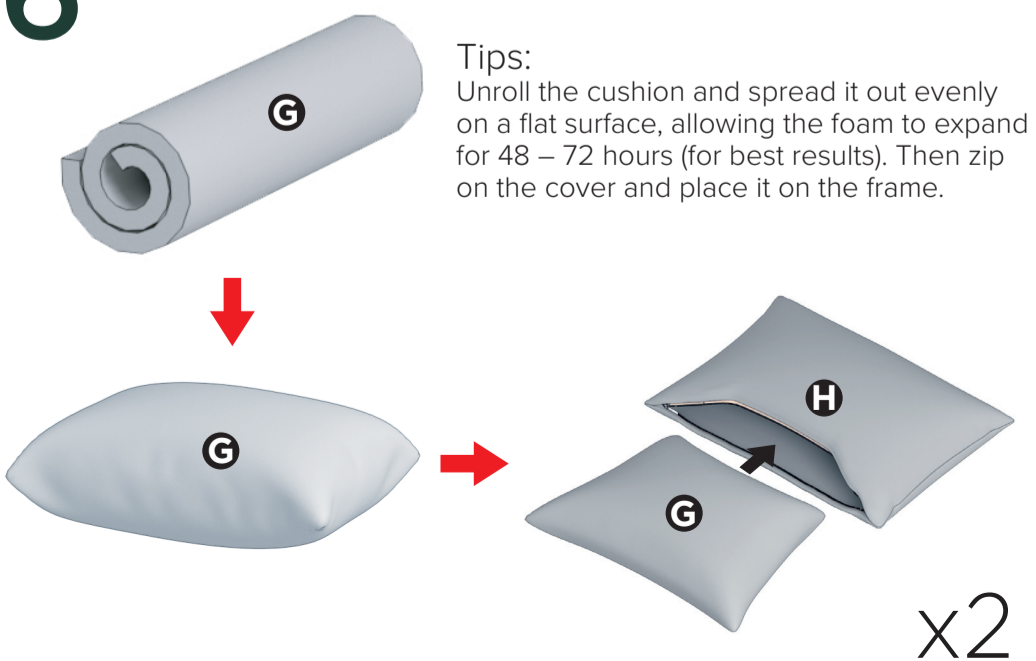
### **!** WARNING

#### Each Chair Weight Capacity: 250lb / 113kg

Exert care when assembling/disassembling frame so that fingers are not pinched. Exceeding maximum seated weight capacity limit may cause personal injury and/or damage to product: user must ensure weight is evenly distributed.

This product is not a toy. This product is not intended for use by children without adult supervision. This product is intended for use on a flat and even surface, preferably at ground level. This product has been designed for normal and customary usage; any other use may cause serious personal injury or product failure.

Do not stand or climb on this chair, it is not a ladder or work platform. To prevent potential injuries and structural failures, do not use chair other than for its intended purpose. Regularly inspect chair for loose or missing hardware, metal fatigue and general stability. If chair appears to be damaged or unstable, discontinue use.

**1****2****3****4****5****6****7**