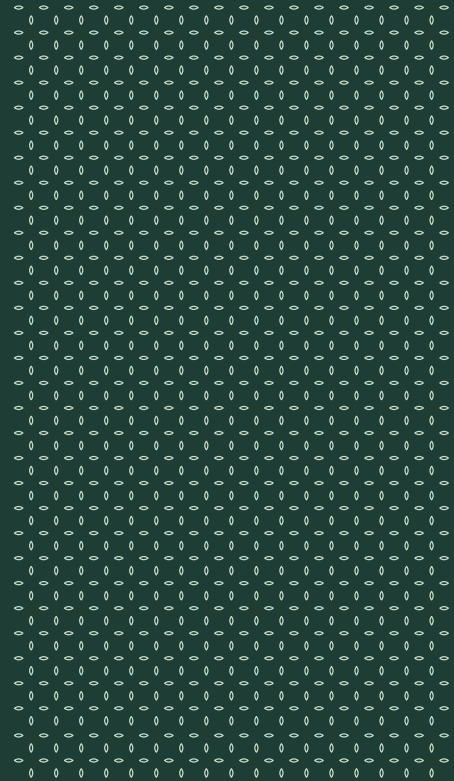
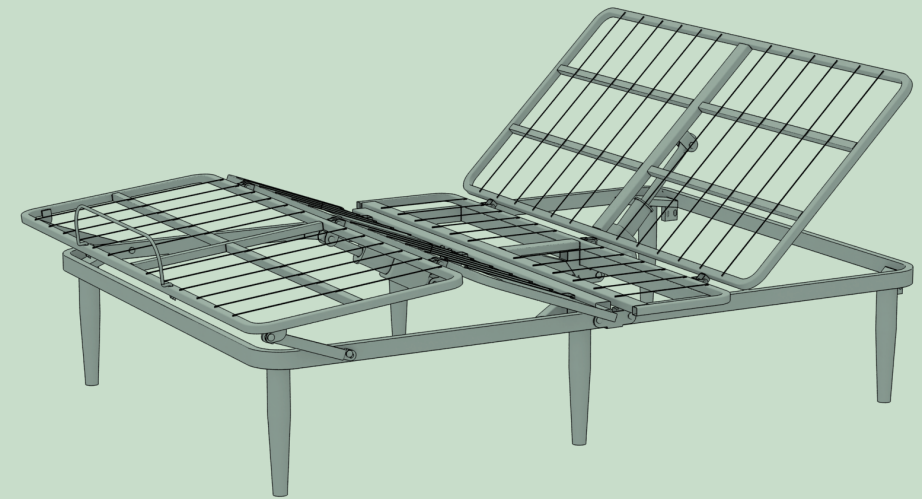


Owner's Manual

Adjustable Bedframe

SingleXL / Double / Queen sizes



Contents

Return Policy	02
Safe Use & Operation Guidelines	02
Weight Restrictions	03
Product Rating	03
Components	03
Assembly Instructions	04
Remote Control	07
5-Year Warranty Statement for Manufacturing Defects	08

Return Policy

Zinus believes you will absolutely love your Jared Adjustable Bedframe, but if for some reason you want to return the product, then please contact us directly before you decide to return your product to the retailer. Our customer service team can address most concerns and can assist you with any questions you may have about your new purchase.

Please contact us first by emailing Australianorders@zinusinc.com

The item must be returned in good condition, in original box, with all original proof of purchase, parts and accessories, within the time frame specified by the retailer it was purchased from.

Safe Use & Operation Guidelines

This bedframe is exclusively designed and manufactured for use indoors only.

Don't try to impress the neighbors with it on the patio – just saying!

- Also, this bedframe is meant for residential use. As tempting as it may be to take your bed with you to a hospital, please note that it is not approved for hospital use.
- Using the bed with oxygen administering equipment other than the nasal masked type creates a possible fire hazard. So don't do it!
- Exercise caution when using a nasal or masked type administering equipment. Route and secure air tubing properly to ensure that it doesn't get entangled or damaged when you operate the bed.
- Keep moving parts free of obstruction during bed operation (including sheets, clothing, tubing, wiring, and products using electric power cords). Just the basic stuff!
- Obviously, you want to be careful when having liquids in or around the bed to ensure no spilling occurs. It could damage the bedframe, mattress et al. But life happens! And if you end up spilling, stand in a dry, clean area of the floor and unplug the bed immediately. Clean up spill (remember what your mama taught you) and allow the area around bed to dry thoroughly before using the electric controls again. If you aren't great at cleaning up, then we recommend that you just don't eat or drink hot liquids while operating the bed.
- Let kids be kids! So do the adult-like thing and don't allow them to operate the bed without supervision.
- While this bed is cool, it's not safe for gymnastics. So when you operate this bedframe, please make sure body is positioned within the confines of the bed. Even if you like living on the edge, please do not place extremities over the sides of the bed when operating bedframe functions.
- And do not weigh down any one part of your bed - distribute body weight evenly over bed surface during reposition and entering or exiting bed.



Weight Restrictions

This product will structurally support weights up to **650lbs (295kgs)**.

This limit is inclusive of any mattress and bedding placed on it.

The bed will structurally support this weight, provided it is evenly distributed across the bedframe.

This product is not designed to support or lift this weight in the head or foot sections alone.

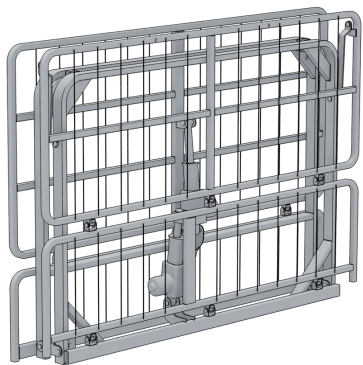
Exceeding the weight limit could damage the bed and/or cause injury and will void the warranty.

Product Rating

The motors are not designed to operate continuously for more than **one (1) minute** in an **eight (8) minute** time period.

Attempting to exceed this rating will shorten the life expectancy of the bedframe and will void the warranty.

Components



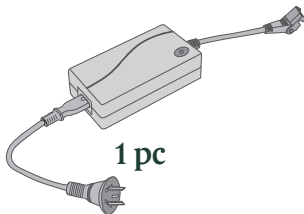
1 pc



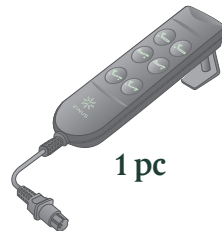
6 pcs



1 set



1 pc



1 pc

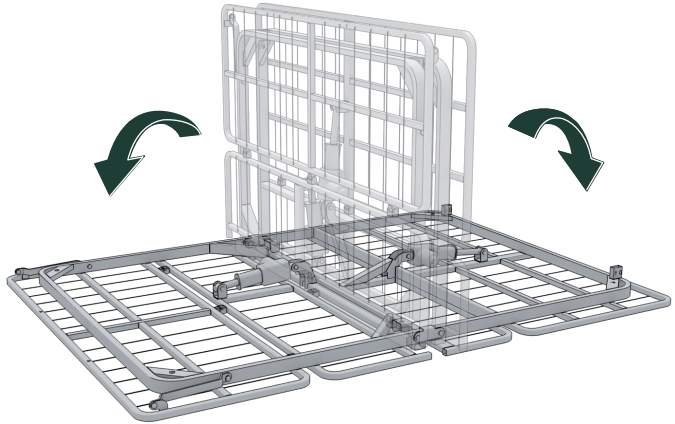


Assembly Instructions

Set up 1

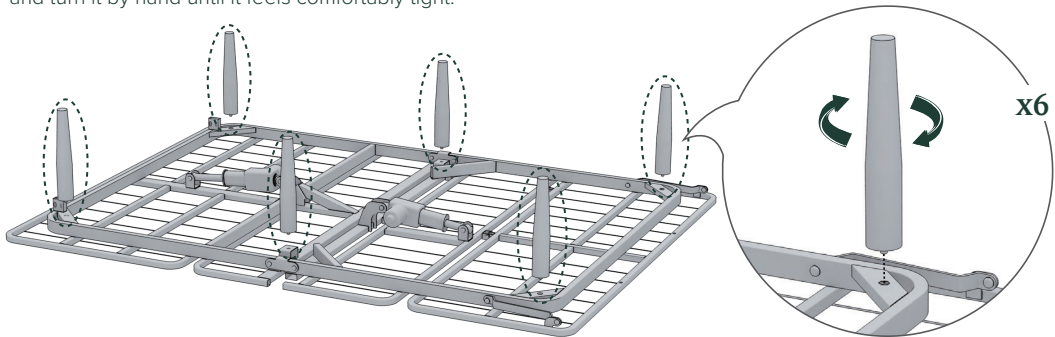
Team up! At least **two (2) people** are required to assemble this cool new adjustable bedframe.

Lay the box flat on your floor and carefully unfold the bedframe.



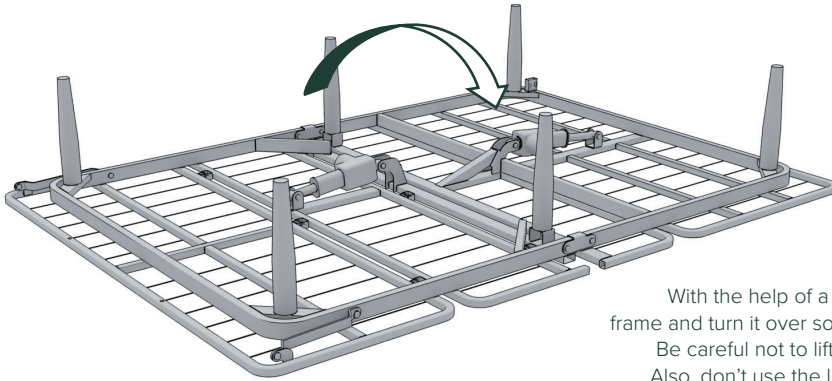
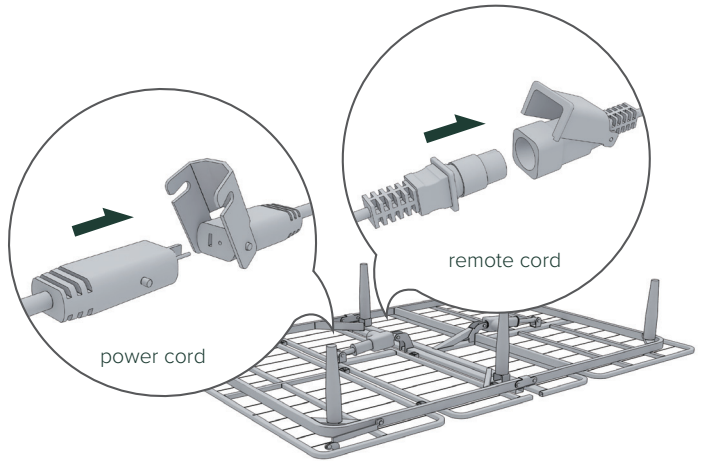
Set up 2

To install the six (6) legs, thread the bolt of each leg into the frame and turn it by hand until it feels comfortably tight.



Set up 3

Locate the receptacle cord on the underside of the bedframe. Plug the remote and power cords into it.

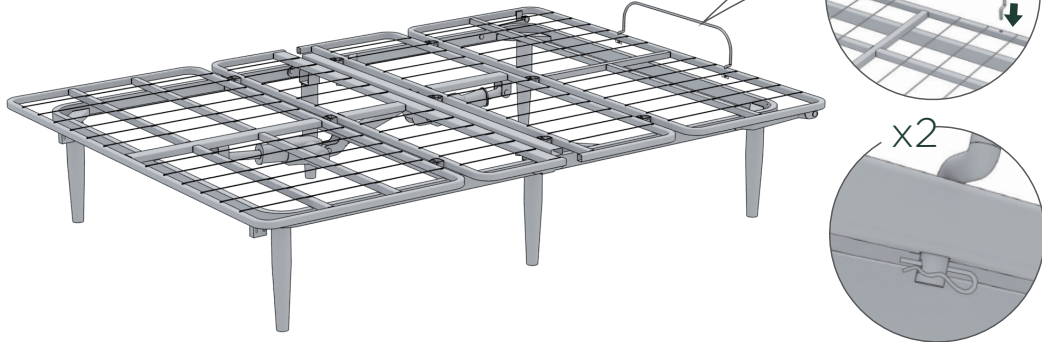


Set up 4

With the help of a friend, lift the bed by the outer frame and turn it over so the mattress side is facing up. Be careful not to lift the bed by any moving parts. Also, don't use the legs as pivot points to practice your latest dance routine. All of these can damage your bedframe.

Set up 5

To install the mattress retainer bar, insert its ends into holes at the foot of the bed. Use cotter pins to secure the retainer bar.



Set up 6

Complete assembling your cool new bedframe by plugging the power cord into the wall outlet and use the remote to test what your new adjustable bedframe can do!

Remote Control

Overview

So, you're done with assembly and ready to explore everything you can do with your cool new adjustable bedframe. Here's a snapshot of what to expect!

HEAD CONTROL
(Raise)

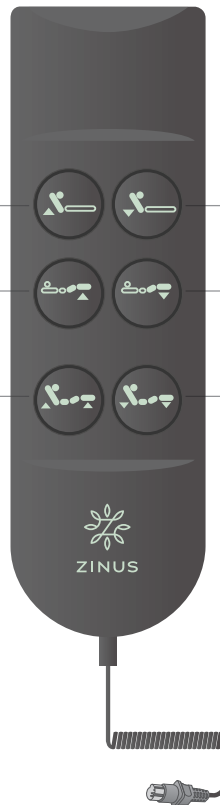
HEAD CONTROL
(Lower)

FOOT CONTROL
(Raise)

FOOT CONTROL
(Lower)

HEAD AND FOOT CONTROL
(Raise)

HEAD AND FOOT CONTROL
(Lower)



Adjustable



Raise and lower the HEAD section of the base.



Raise and lower the FOOT section of the base.



HEAD AND FOOT arrows simultaneously raise and lower the head and foot section of the base.