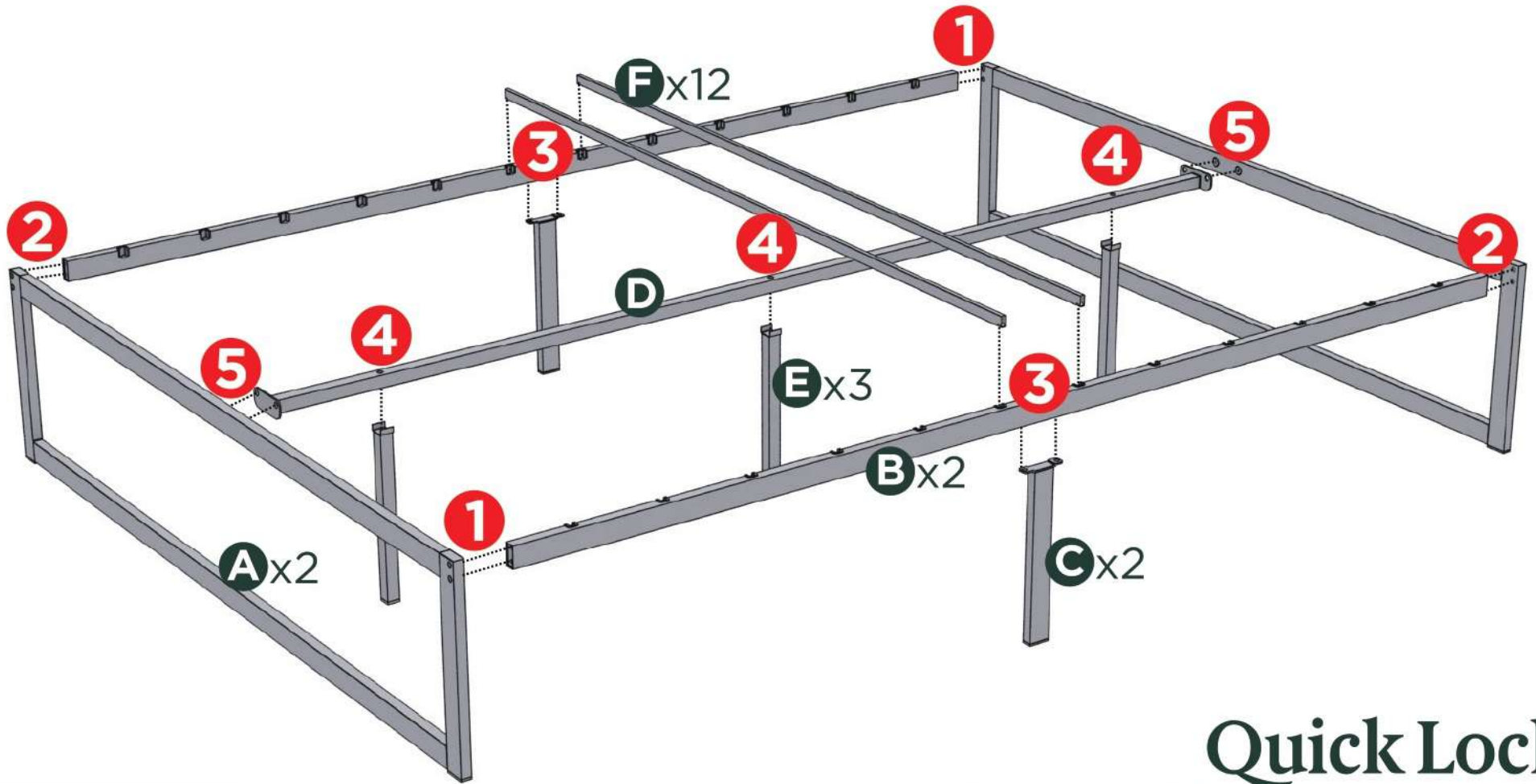


Numbering System

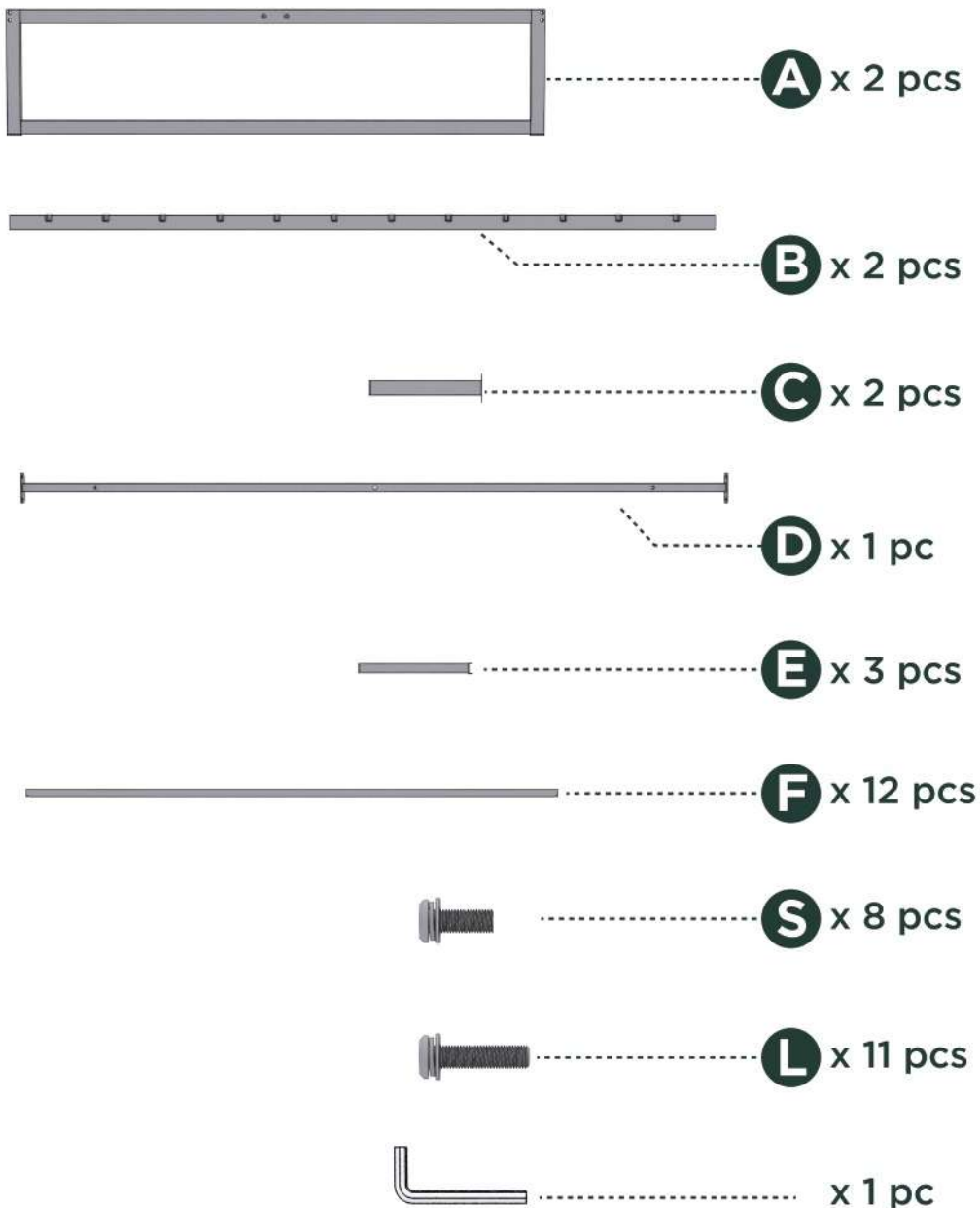
Easy assembly by following 1,2,3...



Quick Lock Smart Platform Bed

Available in Double, Queen, and King sizes

Components



THIS PRODUCT REQUIRES ADULT ASSEMBLY

If any part is missing or if you have any questions regarding the product, please call our customer service team or send us an email and have this assembly manual open to the components list ready to provide the model name and component number.

1.800.687.791.
customersupport.zinusAU@zinusinc.com
MON-FRI 08:00 AM AEST - 05:00 PM AEST

