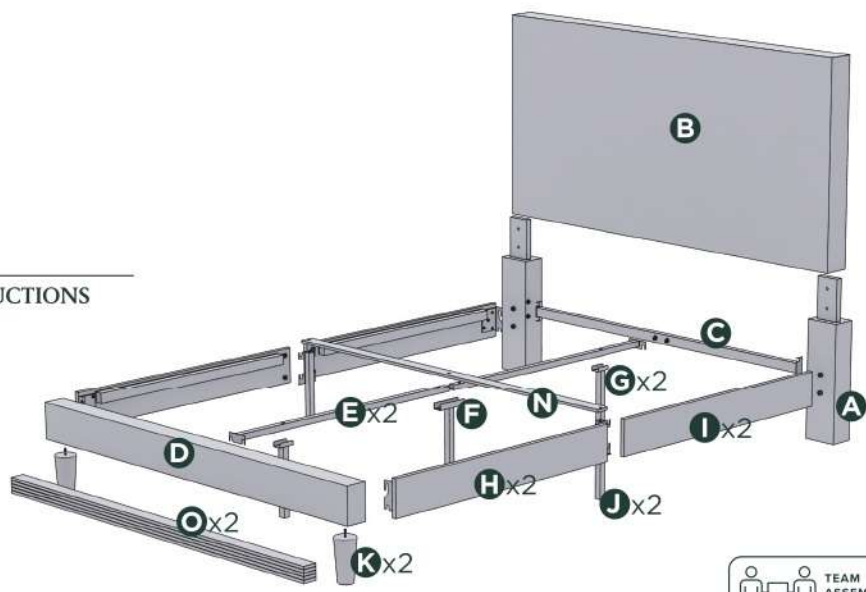
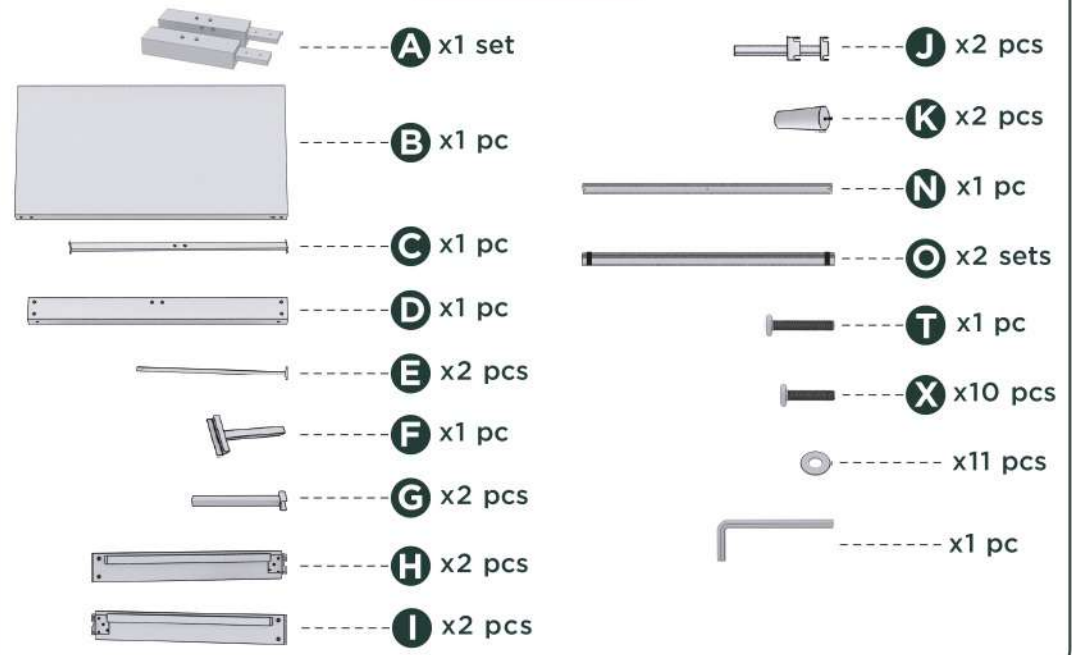


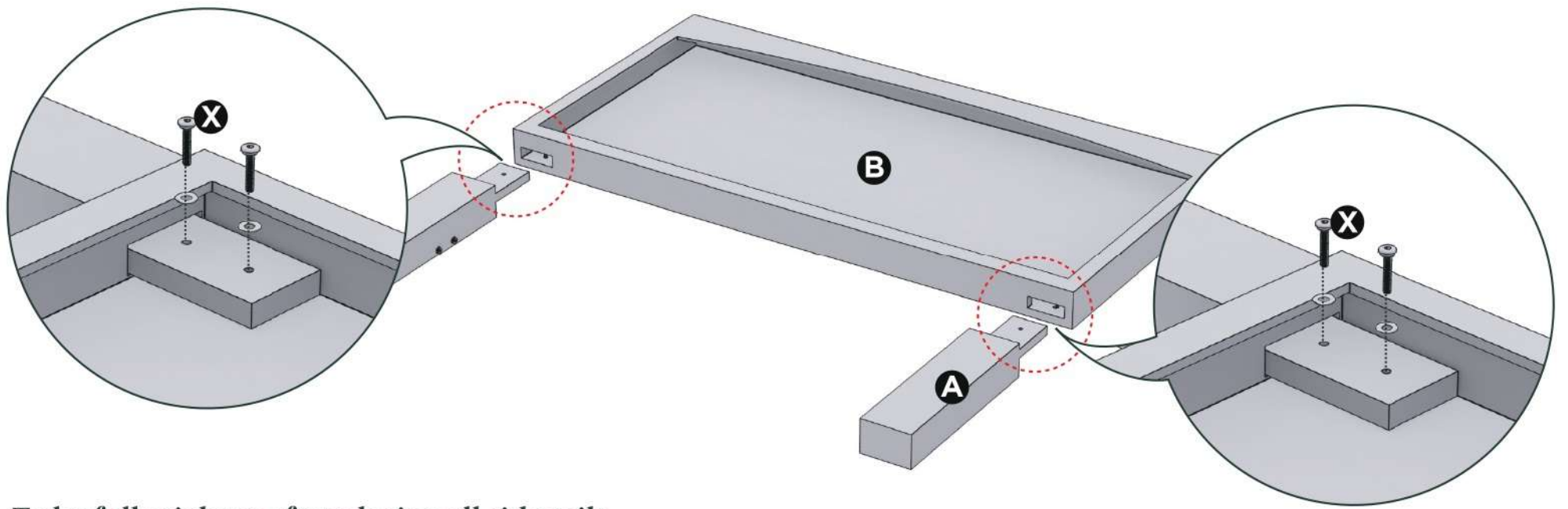
INSTRUCTIONS



Components

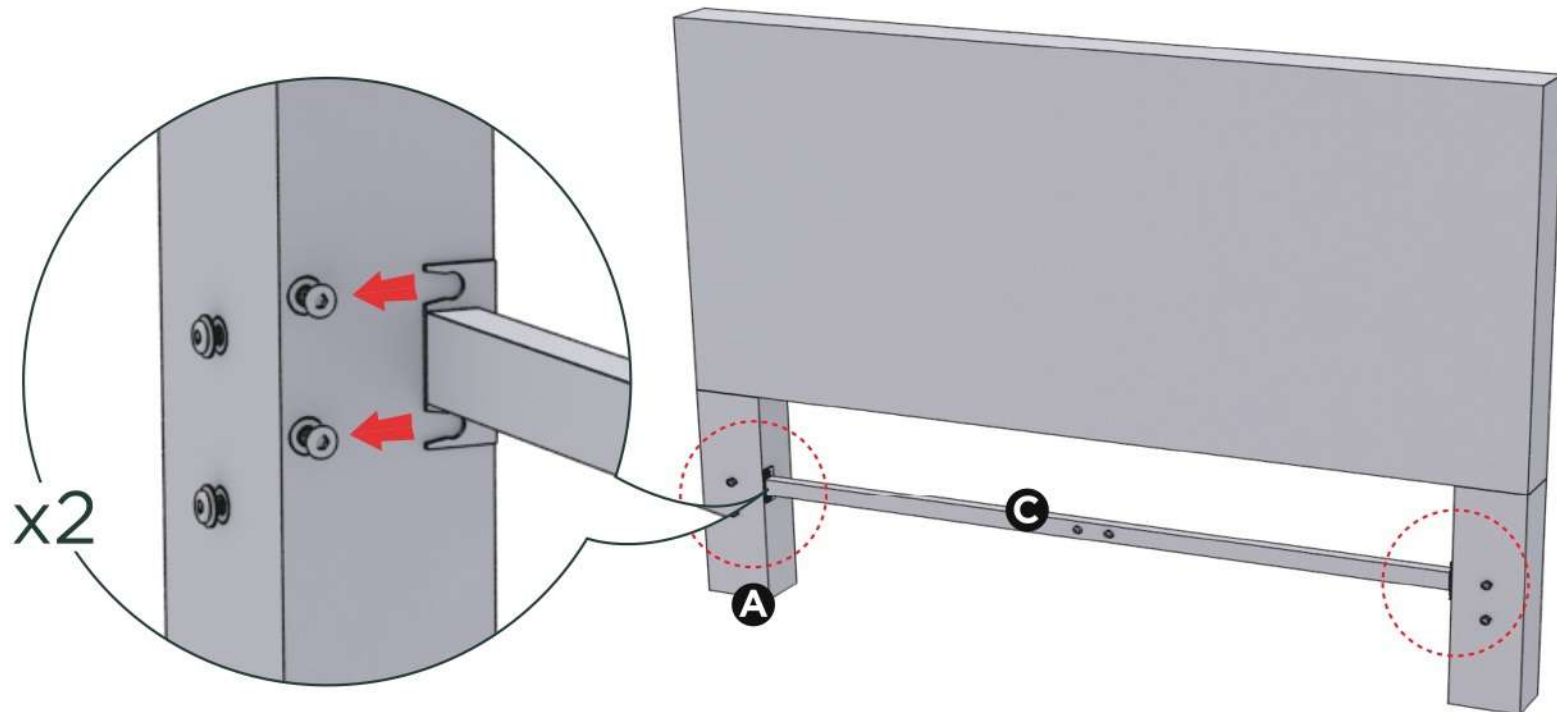


1

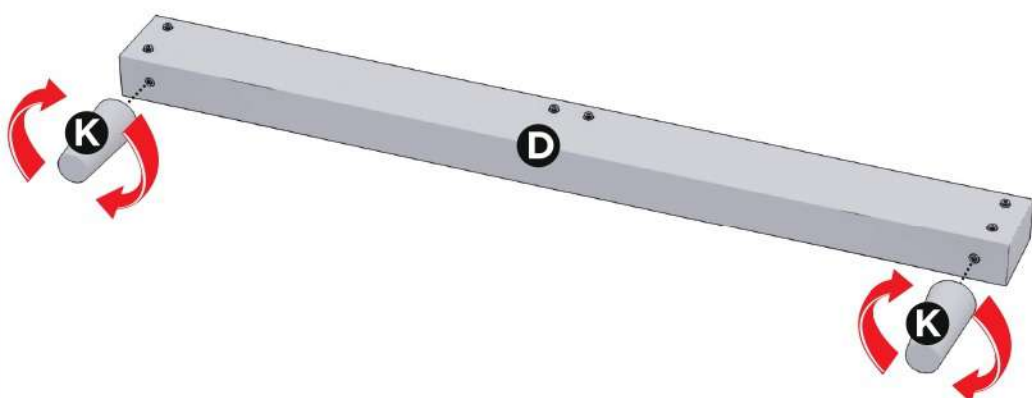


To be fully tighten after placing all side rails.

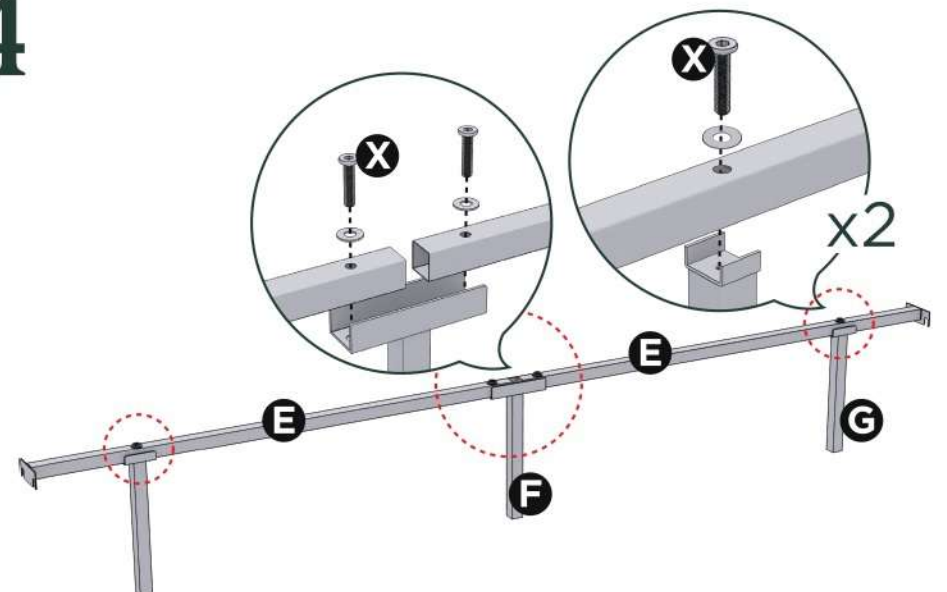
2



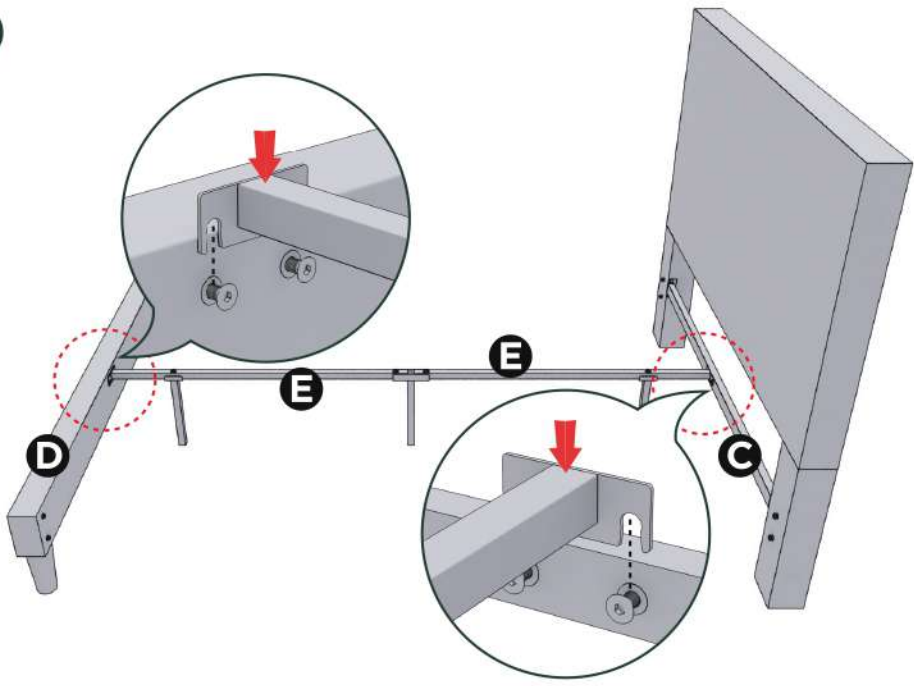
3



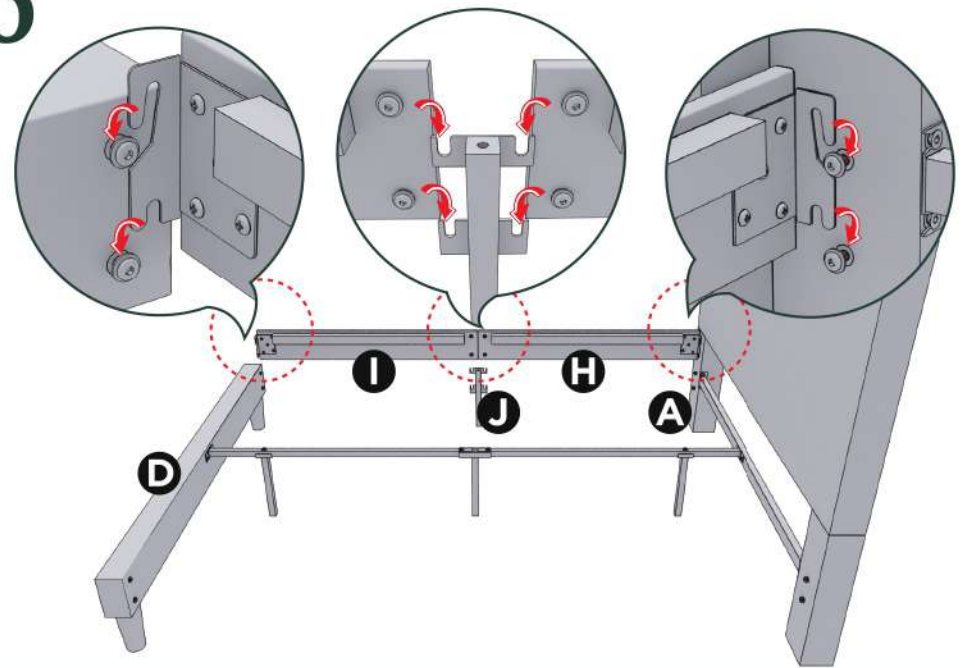
4



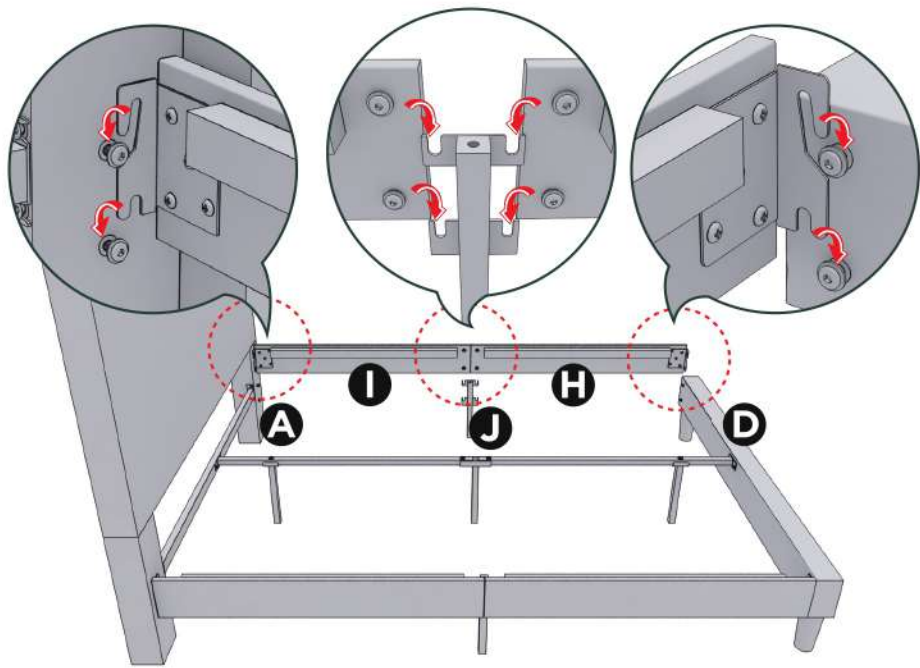
5



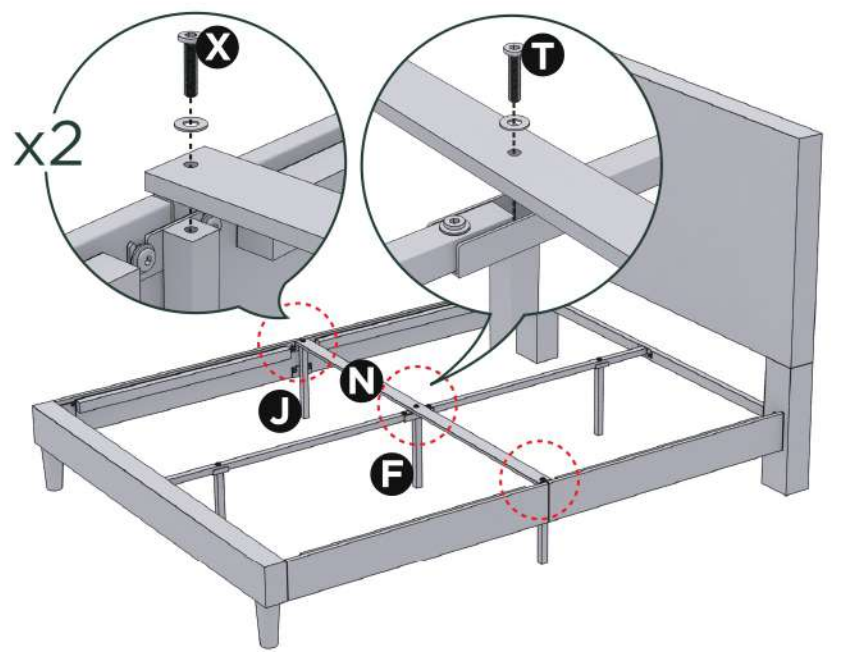
6



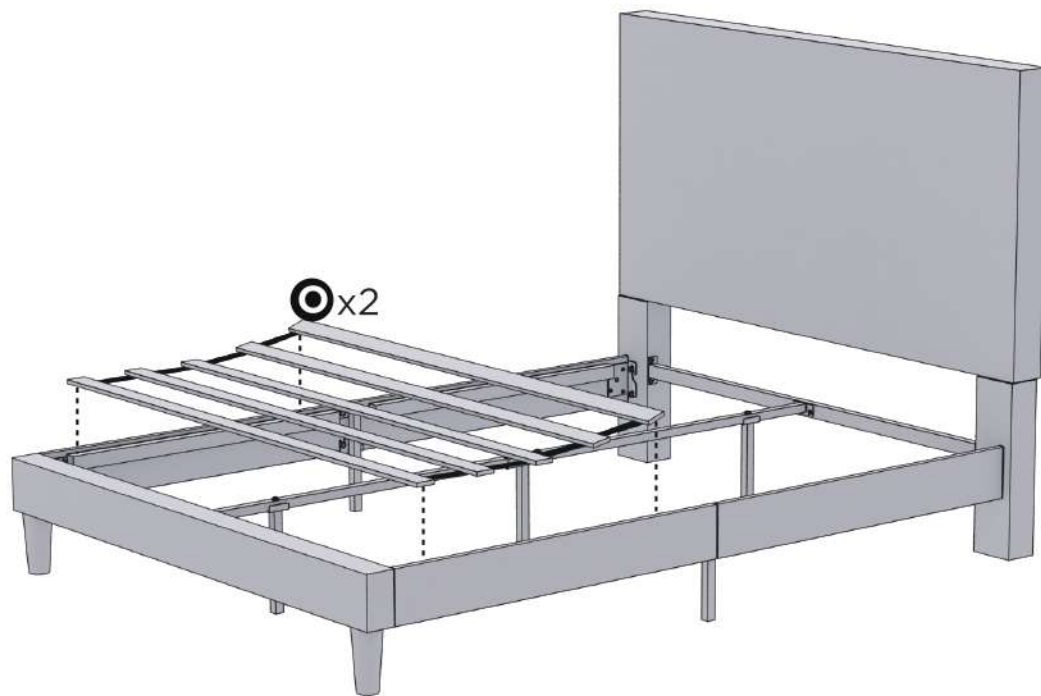
7



8



9



10

