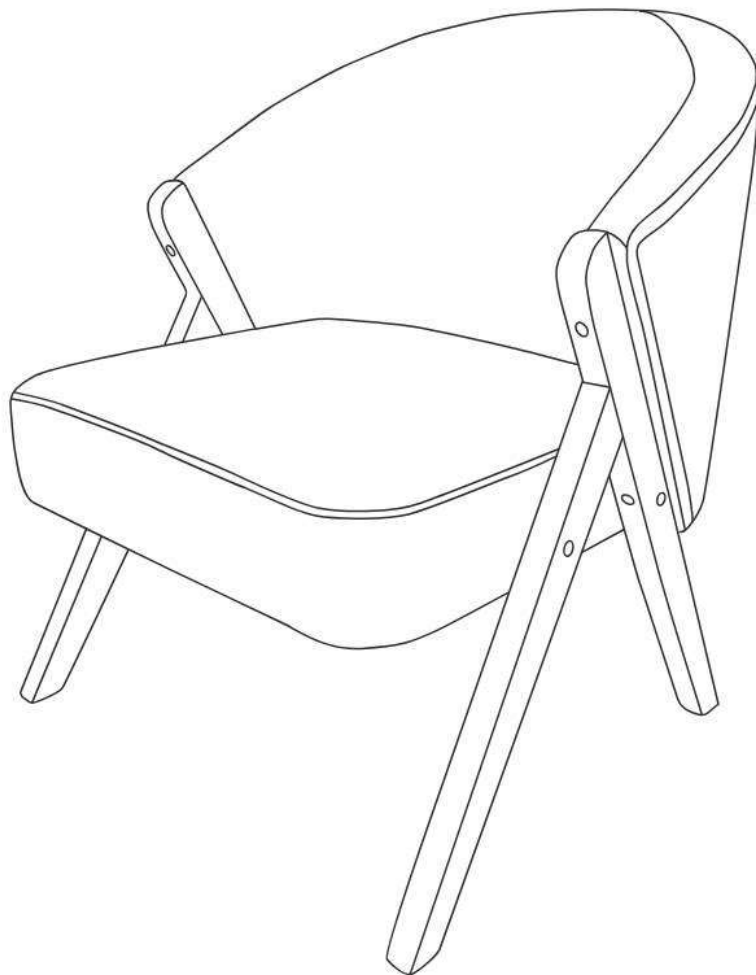


ASSEMBLY
INSTRUCTIONS



ASSEMBLY INSTRUCTIONS

ITEM NUMBER: FU-CHA-GNH200-WH-FSC

Cheers for making this yours!

With our carefully curated selection, we aim to bring you the best of both worlds without breaking the bank.

ensuring that you can create a space that reflects your personal style. We're on a mission to sprinkle some pizzazz into every home. Whether you're

looking to transform your living room, kitchen, or bedroom into a masterpiece,

TIPS BEFORE YOU START





1. Sit back, take a deep breath, and get ready to dive into the laid-back world of furniture assembly. We've got you covered with some simple instructions that will have you relaxing with your amazing new piece in no time.
2. Please check that all parts are present before you start the assembly of your furniture.
3. For ease of assembly, please identify all the parts required for each step before you commence each step of the process.
4. For larger items, please ensure that you have sufficient space and people to assemble your product safely.
in use, to avoid moving the product unnecessarily once assembled.
6. For the protection of your furniture, we recommend that the product is placed on a protected surface during assembly to prevent any damage.
7. During assembly please take care not to over-tighten any fittings, as this may damage the product. Do not use power tools.
8. Always place the product on a flat, steady and stable surface.
9. Do not stand on the product. Do not use the product as a stepladder.
10. This product is intended for indoor, household use only as it is a non-industrial product.
11. Please use caution and care when lifting the product to avoid personal injury and/or product damage.

ASSEMBLY REQUIREMENTS

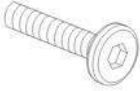
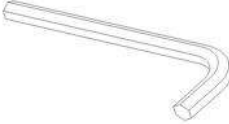
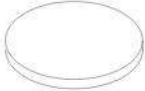

- 1m x 1m assembly space required. Give your furniture some breathing room!
Approximately 0.5 hour assembly time. Remember, it's not a race!
so take your time, enjoy the process, and have fun!
- 1 x adults required, enlist the help of your favourite tag team.



PARTS LIST

<p>1</p>  <p>x1</p>	<p>2</p>  <p>x1</p>	<p>3</p> <p>R</p>  <p>x1</p>	<p>4</p> <p>L</p>  <p>x1</p>
--	--	--	---

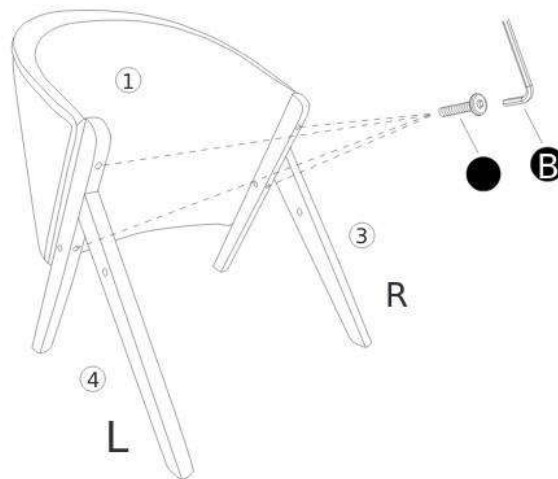
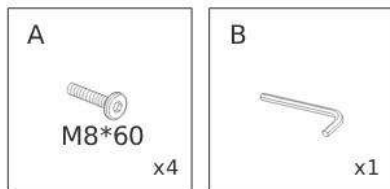
HARDWARE

<p>A</p>  <p>M8*60</p> <p>x8</p>	<p>B</p>  <p>x1</p>	<p>C</p>  <p>x4</p>
<p>D</p>  <p>x8</p>		

ASSEMBLY INSTRUCTIONS

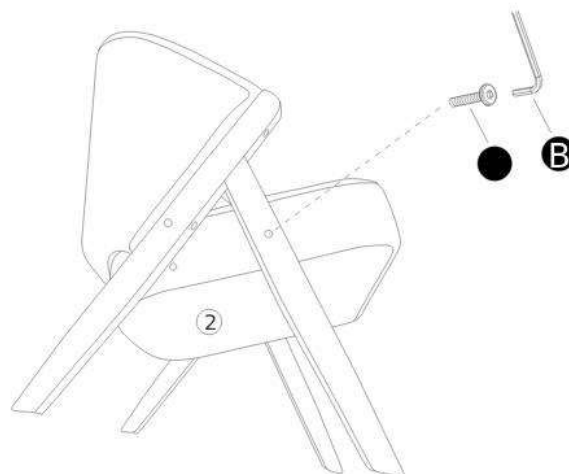
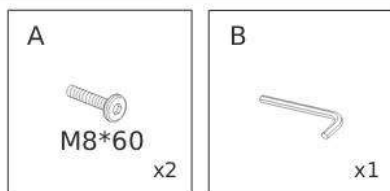
STEP 1

Screws tightened to 80%.



STEP 2

Screws tightened to 80%.



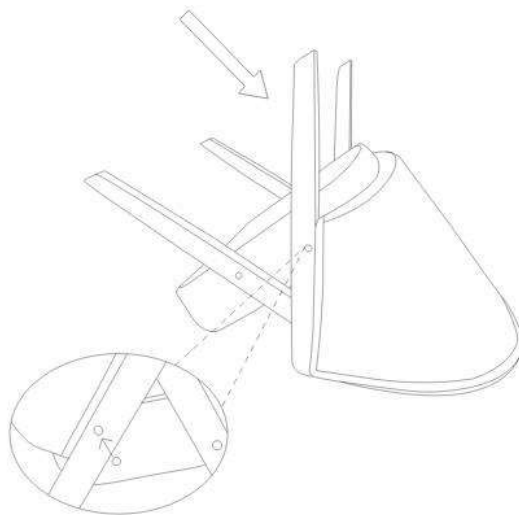
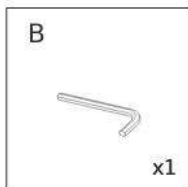
ASSEMBLY INSTRUCTIONS

ITEM NUMBER: FU-CHA-GNH200-WH-FSC

ASSEMBLY INSTRUCTIONS

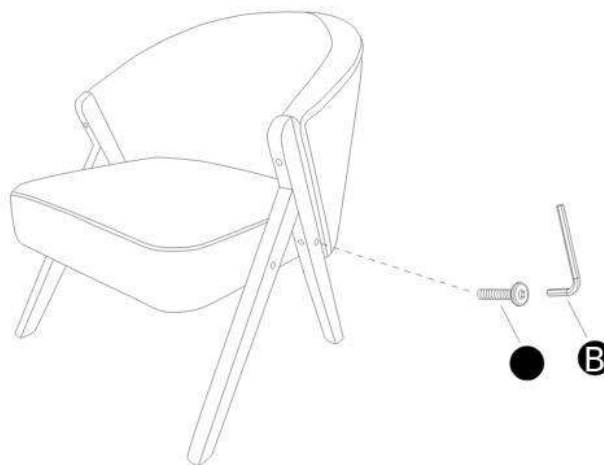
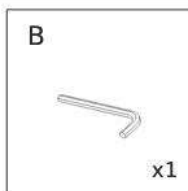
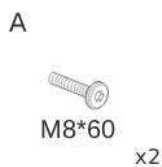
STEP 3

Press the cushion down to the bottom as shown in the picture and ensure that the holes in the armrest and cushion aligned, which can be tested with the allen wrench.



STEP 4

Use the allen wrench to test if the holes in the armrests and cushions are aligned, only when they're aligned you can start



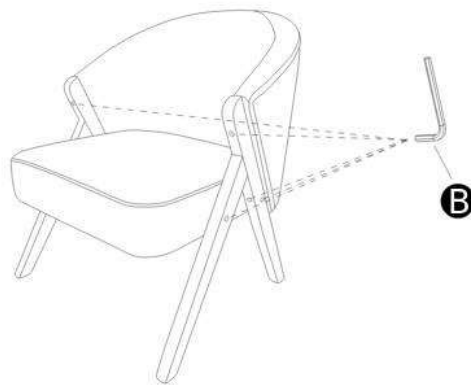
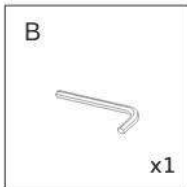
ASSEMBLY INSTRUCTIONS

ITEM NUMBER:FU-CHA-GNH200-WH-FSC

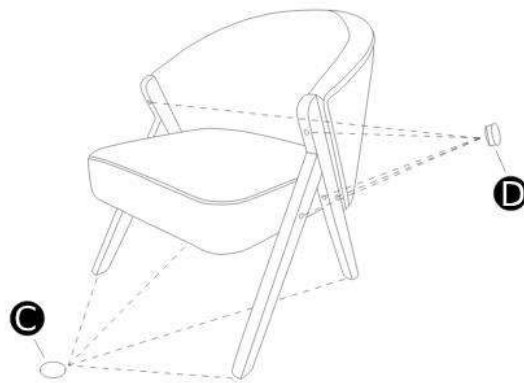
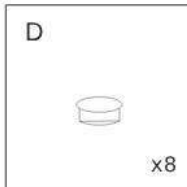
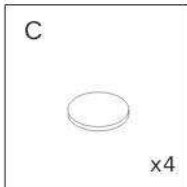
ASSEMBLY INSTRUCTIONS

STEP 5

Make sure the chair is leveled on the ground, then tight all the screws to 100%.



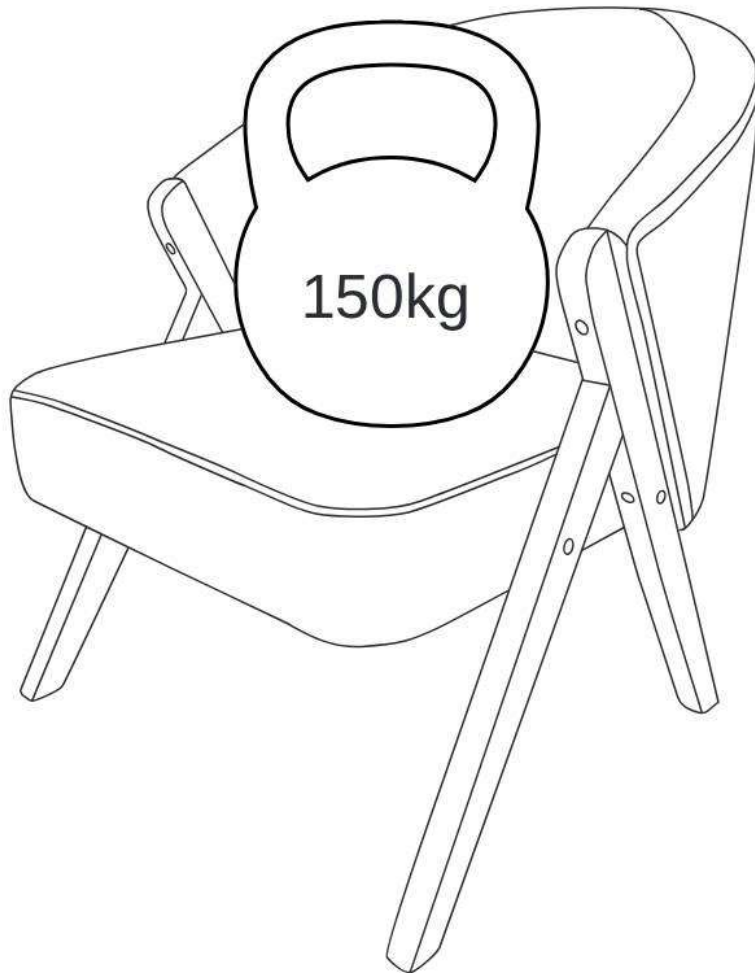
STEP 6



ASSEMBLY INSTRUCTIONS

RECOMMENDED WEIGHT

MAXIMUM RECOMMENDED WEIGHT IS 150KG.
Your new product is ready for use.



ASSEMBLY INSTRUCTIONS

ITEM NUMBER: FU-CHA-GNH200-WH-FSC

CARE & MAINTENANCE OF YOUR PRODUCT

Just a few simple steps to keep your furniture looking fabulous and functioning flawlessly:

- Please periodically check all fittings and re-tighten as necessary.
To clean your item, please use a damp cloth and wipe.
- To clean glass, please use glass cleaner.
Never allow any kind of liquid to remain on your furniture.
Absorption can cause wood to warp or finishes to delaminate.
Please do not place hot items (eg. hot drinks) directly on to the surface.
- Please do not drag and pull your furniture.