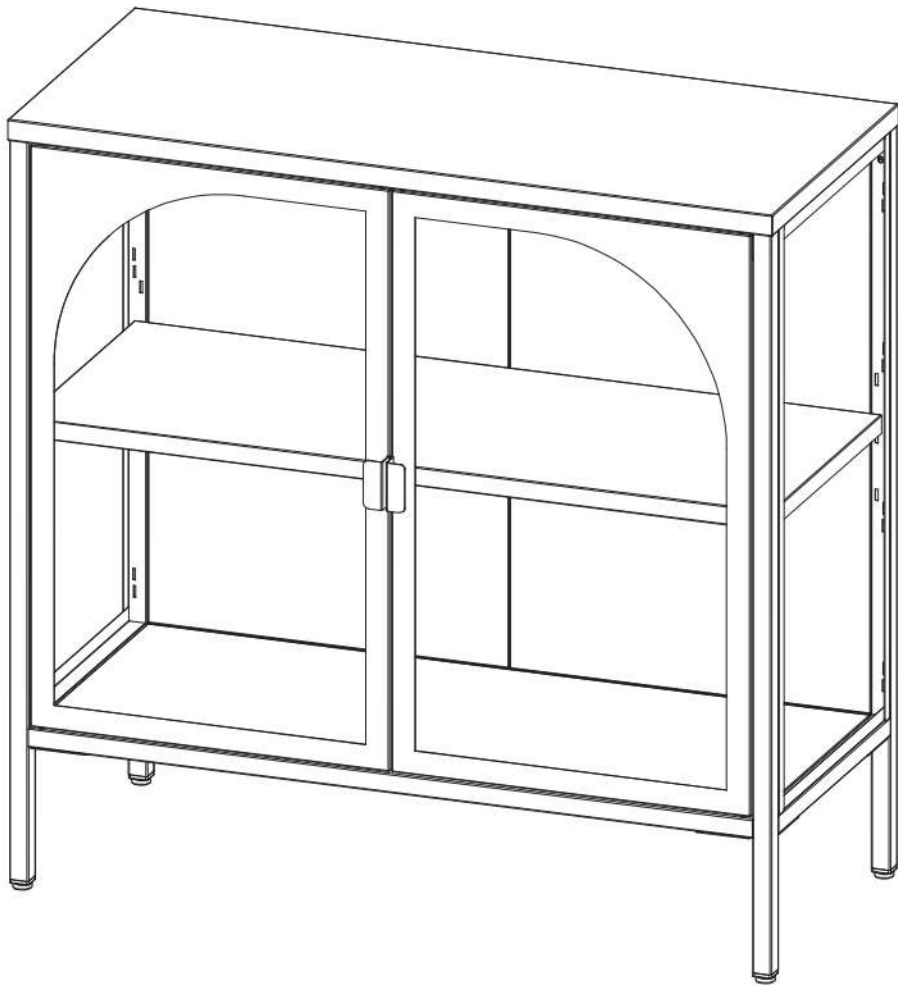


ASSEMBLY
INSTRUCTIONS



Cheers for making this yours!

TIPS BEFORE YOU START

1. Sit back, take a deep breath, and get ready to dive into the laid-back world of furniture assembly. We've got your back with some simple instructions that will have you relaxing with your amazing new piece in no time.
2. Please check that all parts are present before you start the assembly of your furniture.
3. For ease and speed of assembly, we recommend that before you commence each step of the assembly, that you identify all the parts required for that step.
4. For larger items, please ensure that you have sufficient space and people to assemble your product safely.
5. We recommend that, where possible, all items are assembled near to the area in which they will be placed in use, to avoid moving the product unnecessarily once assembled.
6. For the protection of your furniture, we recommend that the product is placed on a protected surface during assembly to prevent any damage.
7. During assembly please take care not to over-tighten any fittings, as this may damage the product. Do not use power tools.
8. Always place the product on a flat, steady and stable surface.
9. Do not stand on the product. Do not use the product as a stepladder.
10. This product is intended for indoor, household use only as it is a non-industrial product.
11. Please use caution and care when lifting the product to avoid personal injury and/or product damage.

WARNING

Please use extreme care & attention to detail when assembling this product. Ensure holes are aligned correctly & that the correct screws are being used. Do not overtighten. This is extremely important as this is a metal & glass product. Failure to follow instructions can result in damage to the product.

ASSEMBLY REQUIREMENTS

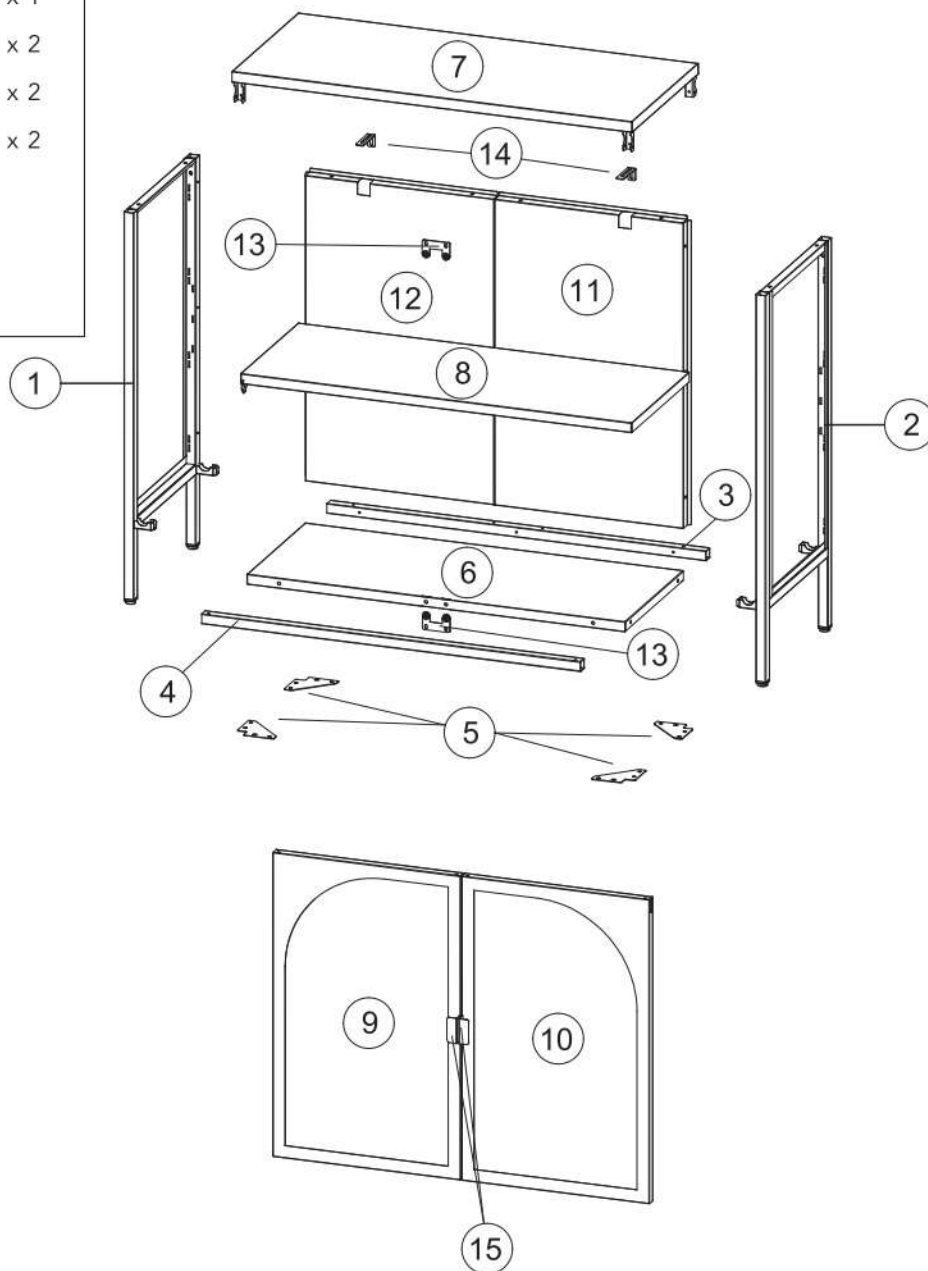
- 2m x 2m assembly space required. Give your furniture some breathing room!
- Approximately 1 hour assembly time. Remember, it's not a race, so take your time, enjoy the process.
- 2 x adults required, enlist the help of your favourite tag team.



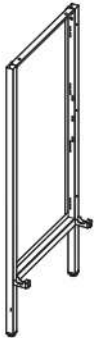



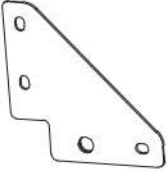
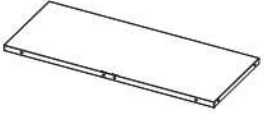
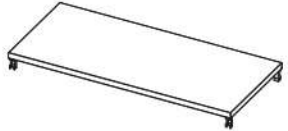
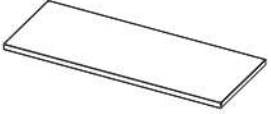
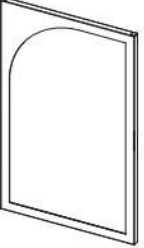
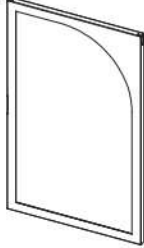

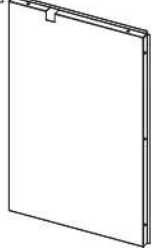

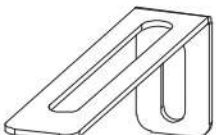

PARTS

PART QUANTITIES

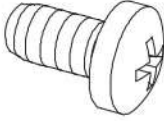
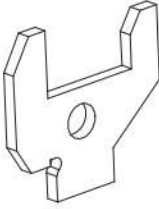
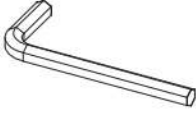

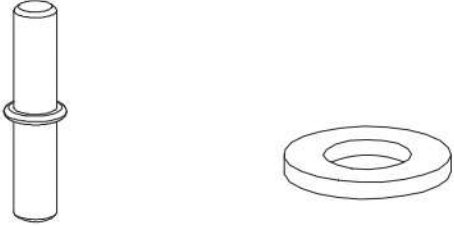

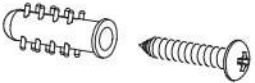

- | | |
|-------|-------|
| ① x 1 | ⑩ x 1 |
| ② x 1 | ⑪ x 1 |
| ③ x 1 | ⑫ x 1 |
| ④ x 1 | ⑬ x 2 |
| ⑤ x 4 | ⑭ x 2 |
| ⑥ x 1 | ⑮ x 2 |
| ⑦ x 1 | |
| ⑧ x 1 | |
| ⑨ x 1 | |



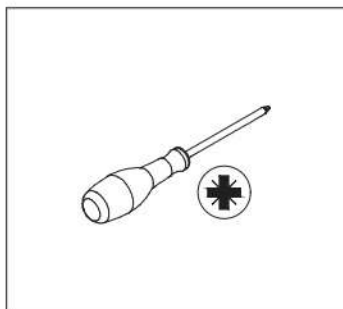
PARTS LIST

1  x1	2  x1	3  x1	4  x1
5  x4	6  x1	7  x1	8  x1
9  x1	10  x1	11  x1	12  x1
13  x2	14  x2	15  x2	

HARDWARE




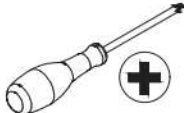
<p>A</p>  <p>M4x8mm x42</p>	<p>B</p>  <p>x4</p>	<p>C</p>  <p>x1</p>	<p>D</p>  <p>M3x10mm x4</p>
<p>E x4 EACH</p>  <p>Ø4.8 Ø5</p>		<p>F</p>  <p>M6x10mm x4</p>	
<p>G</p>  <p>x2</p>	<p>H x4 EACH</p>  <p>M3x8mm M3 T=3mm Ø3</p>		

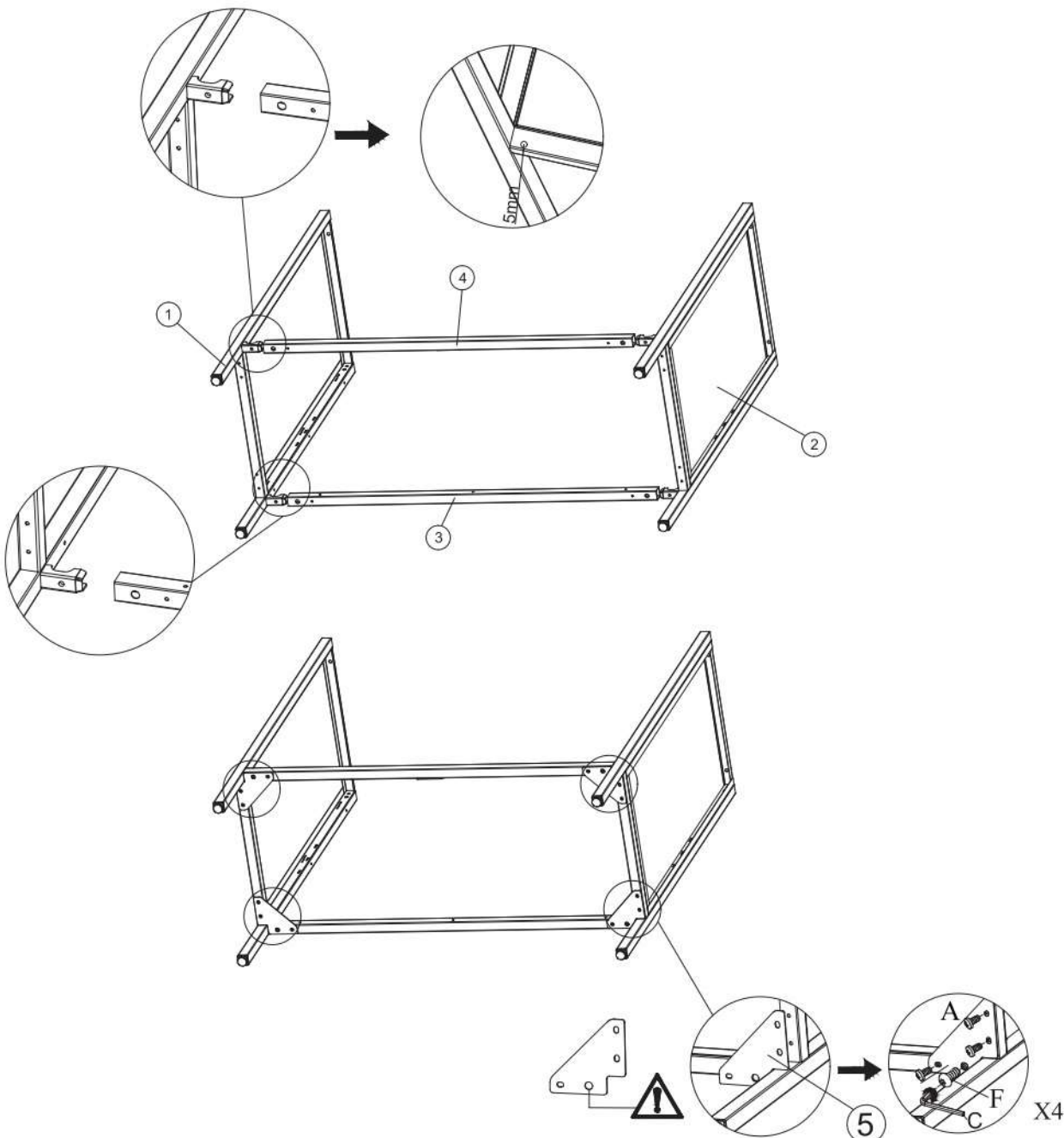
REQUIRED TOOLS



ASSEMBLY INSTRUCTIONS

STEP 1

<p>A x 12</p>  <p>M4x8mm</p>	<p>C x 1</p> 	<p>F x 4</p>  <p>M6x10mm</p>	
---	--	---	---



1

2

3

4

5

A

F

C

X4

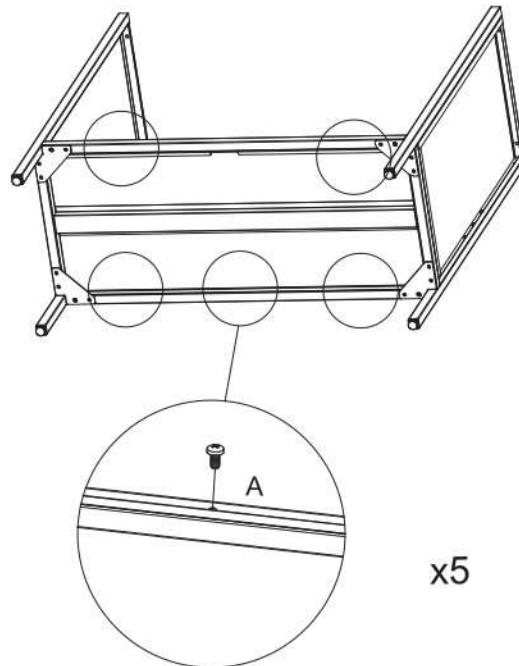
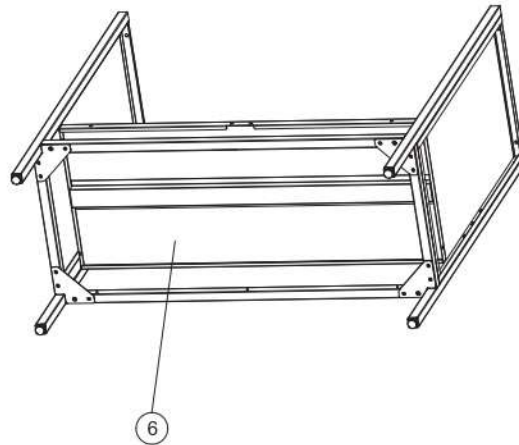
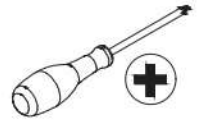
ASSEMBLY INSTRUCTIONS

STEP 2

A x 5



M4x8mm



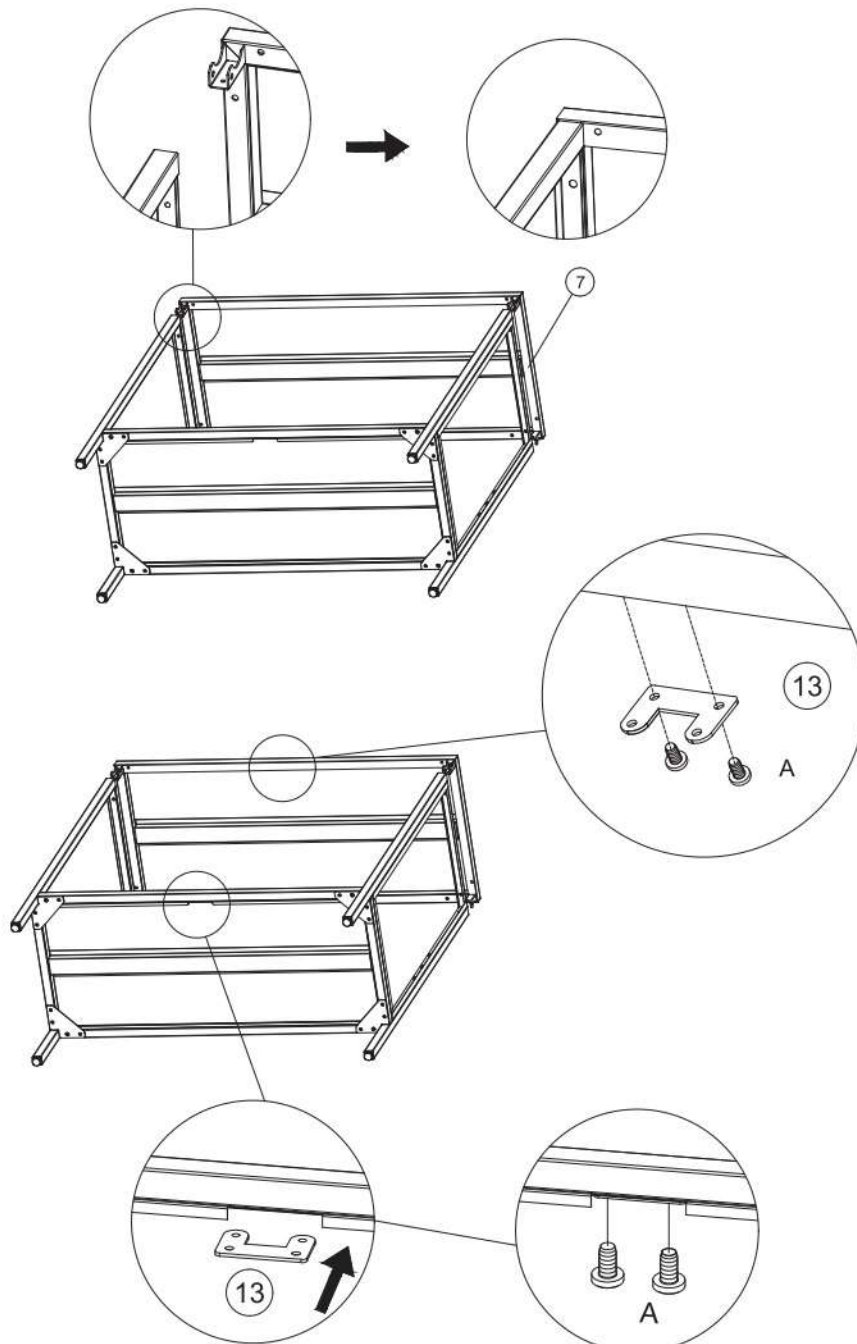
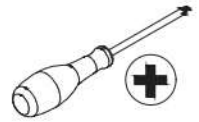
ASSEMBLY INSTRUCTIONS

STEP 3

A x 4

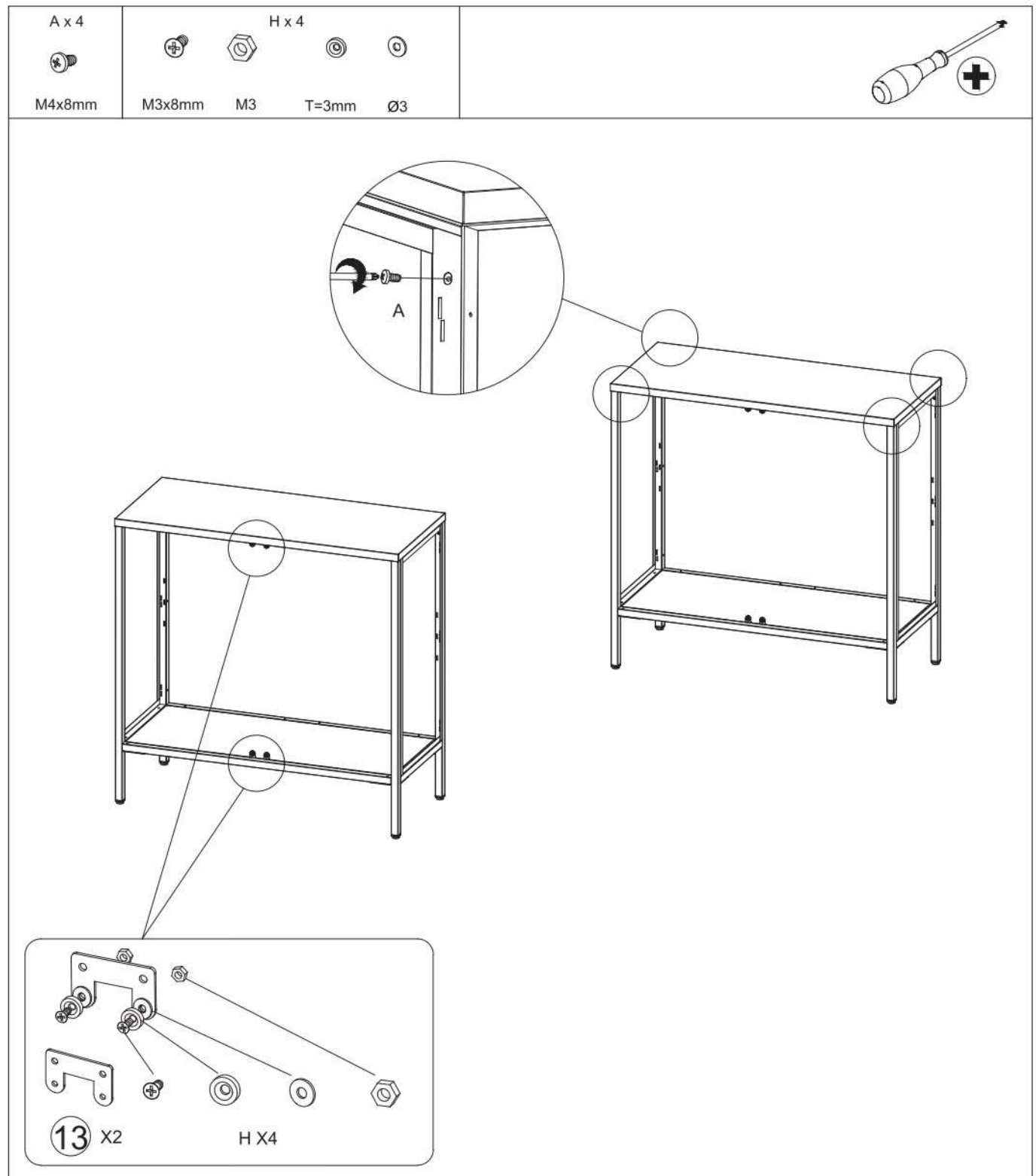


M4x8mm



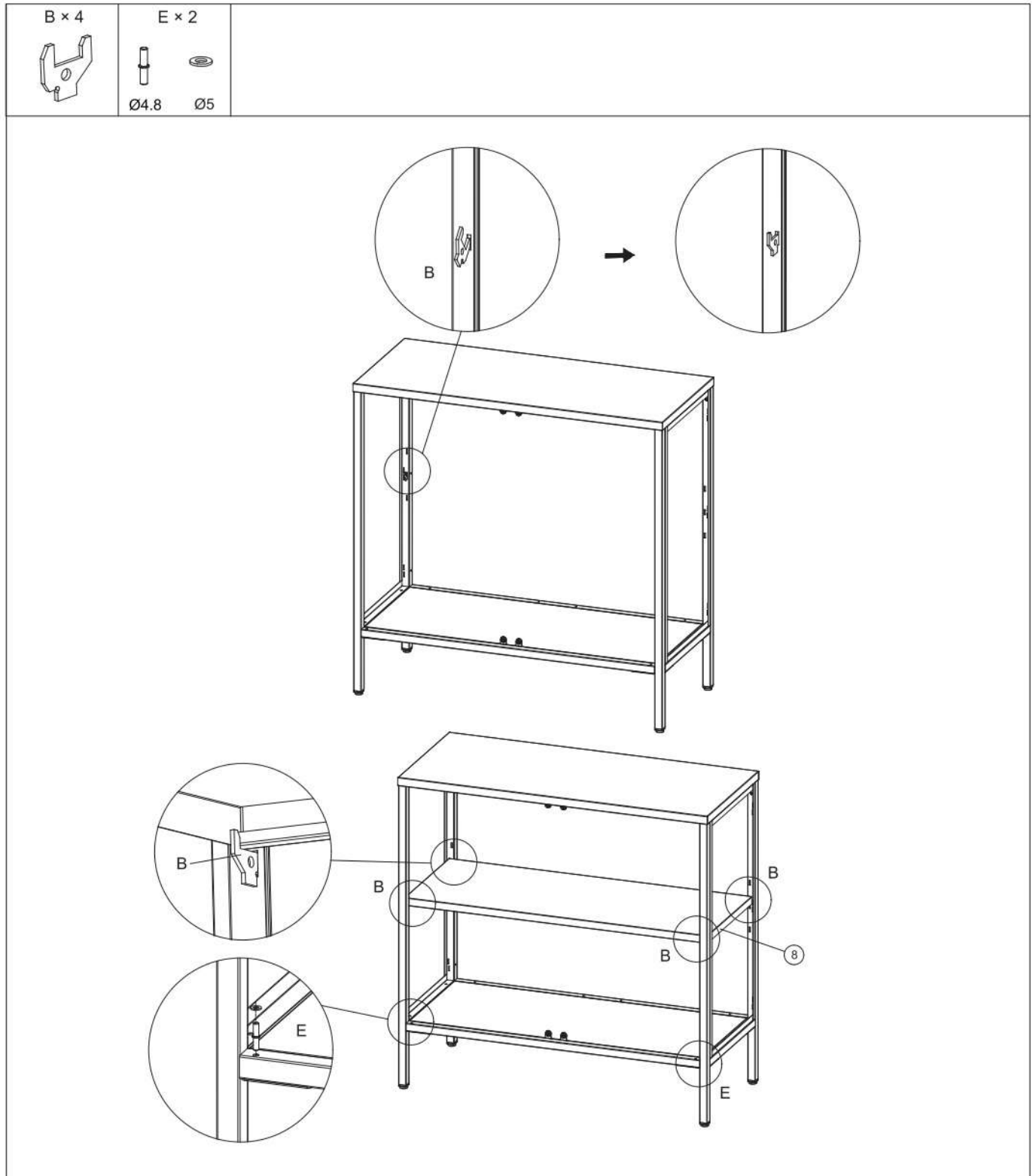
ASSEMBLY INSTRUCTIONS

STEP 4



ASSEMBLY INSTRUCTIONS

STEP 5



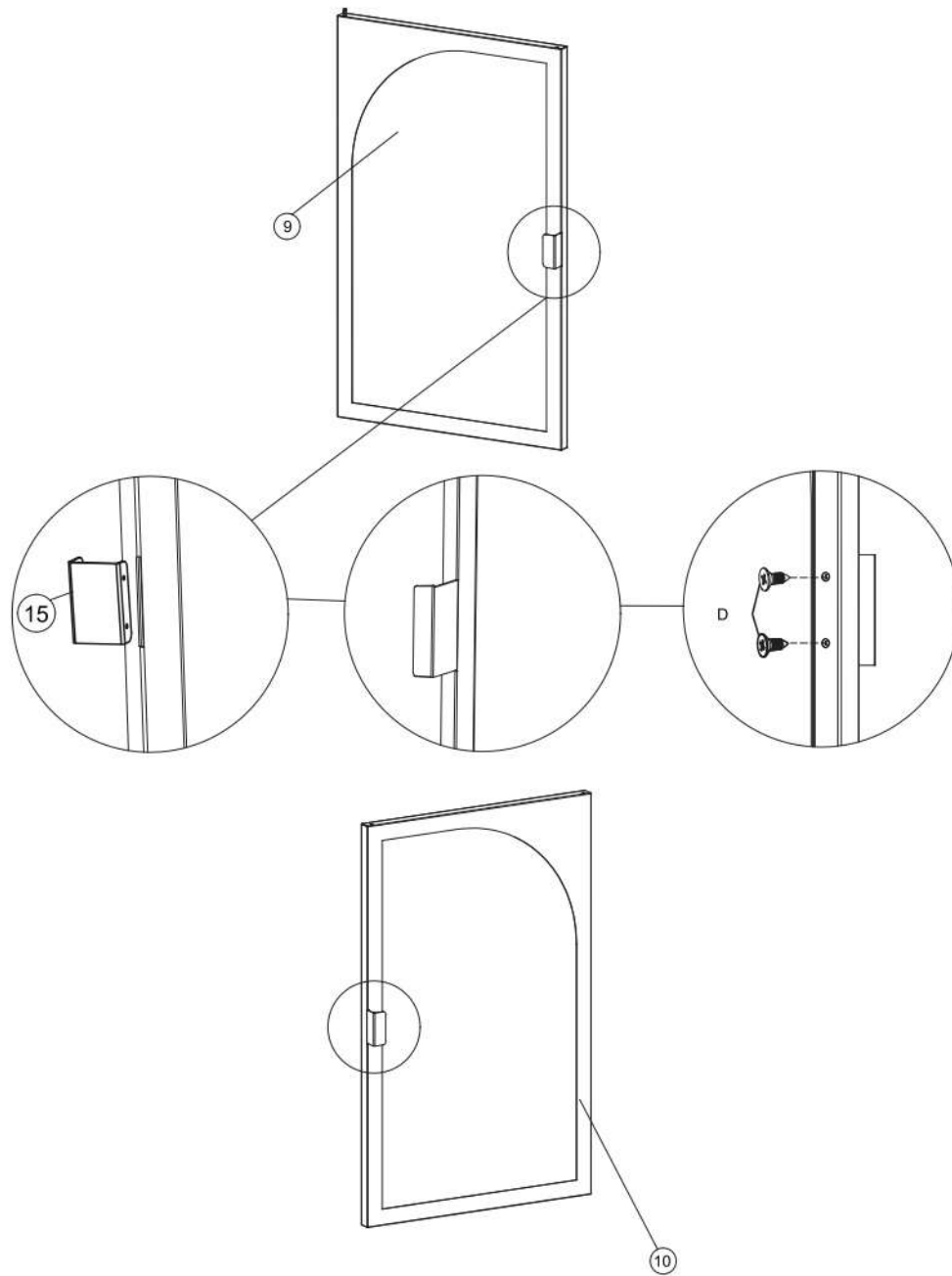
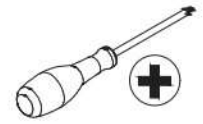
ASSEMBLY INSTRUCTIONS

STEP 6

D × 4

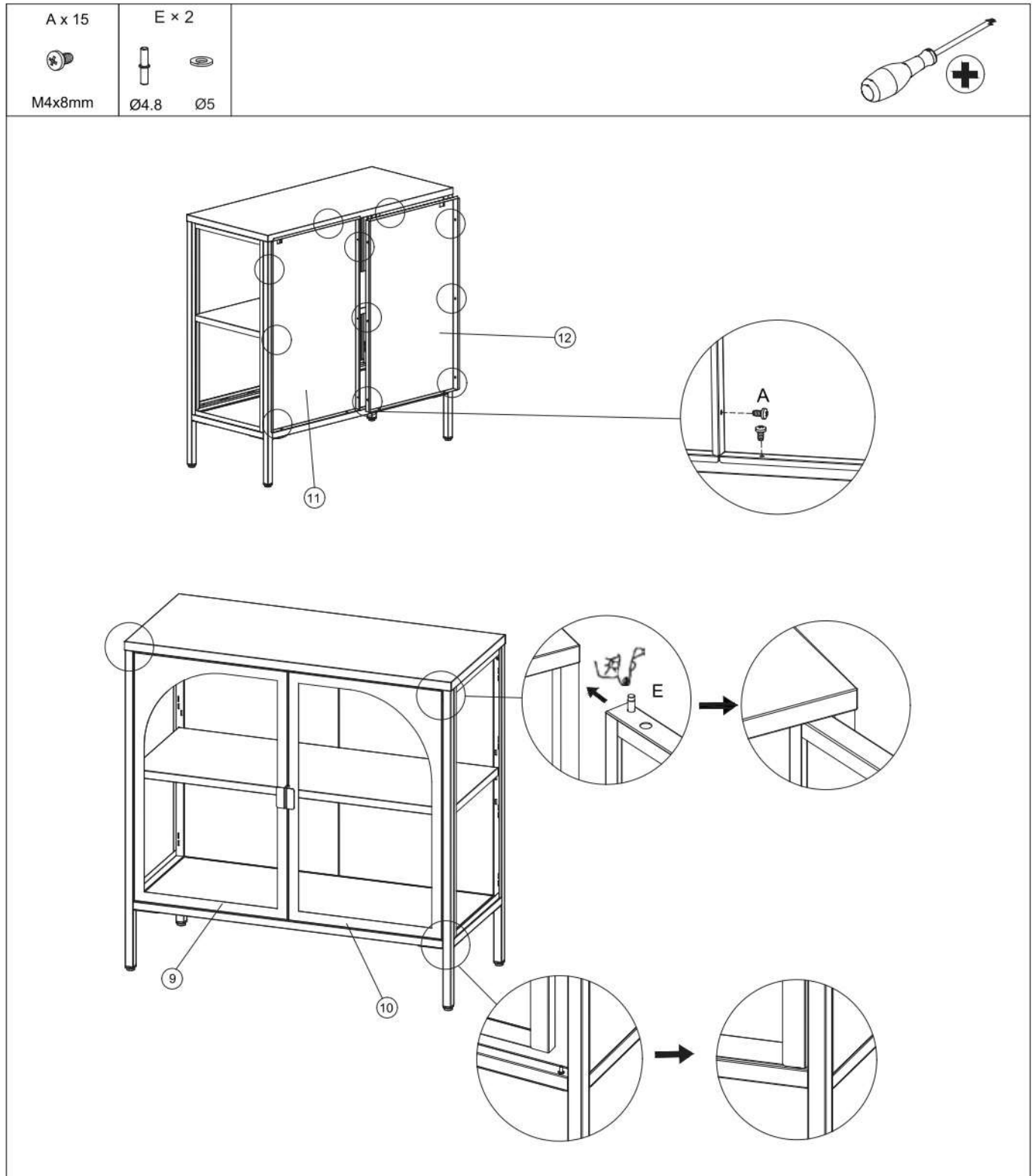


M3x10mm



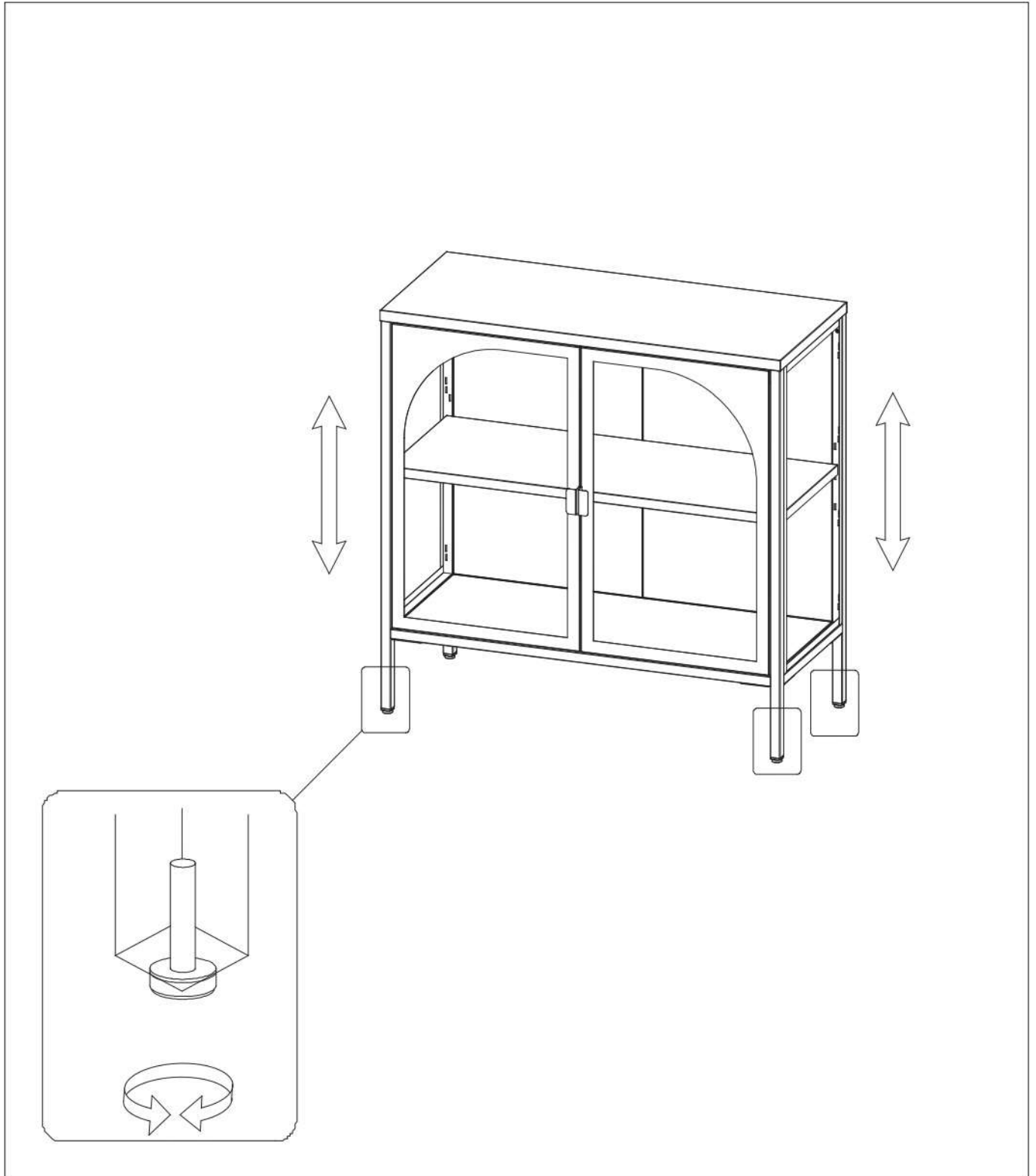
ASSEMBLY INSTRUCTIONS

STEP 7



ASSEMBLY INSTRUCTIONS

STEP 8

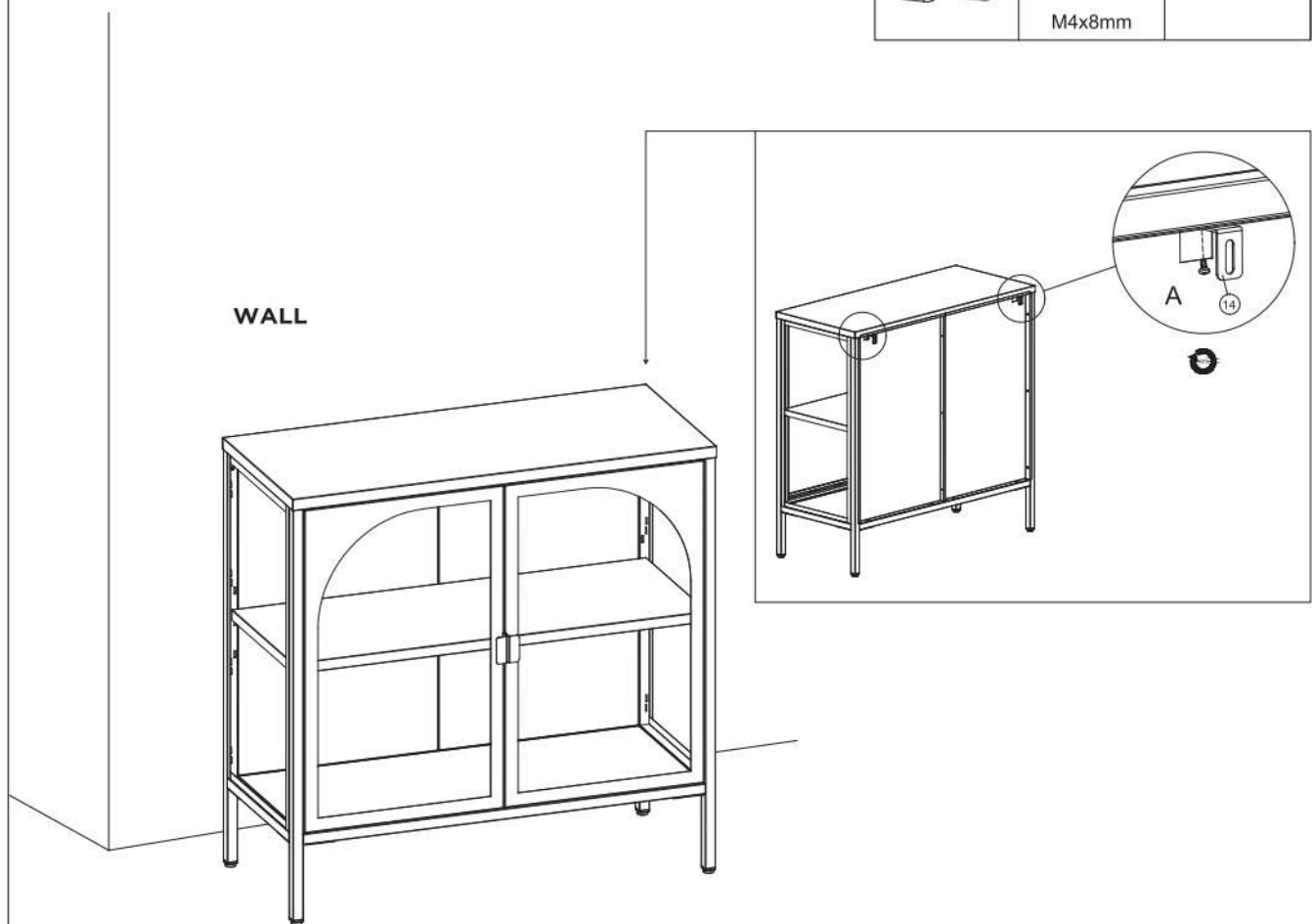
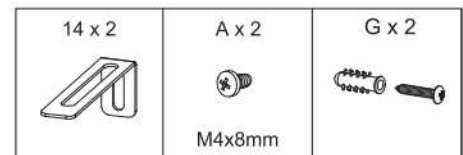


ASSEMBLY INSTRUCTIONS

WALL AFFIXING STEP

PLEASE REFER TO WALL AFFIXING GUIDE INCLUDED IN MANUAL

- For extra stability, you must fix your buffet to the wall using the additional hardware (A) and (G), as shown.
- Screw (A) is fixed through the bracket (14) and into the wall plug (G).
- Should you choose not to affix the product to the wall, serious injury may be caused if the product tips over.
- Please consider the wall mounting & fixing guide when securing your item.



WARNING

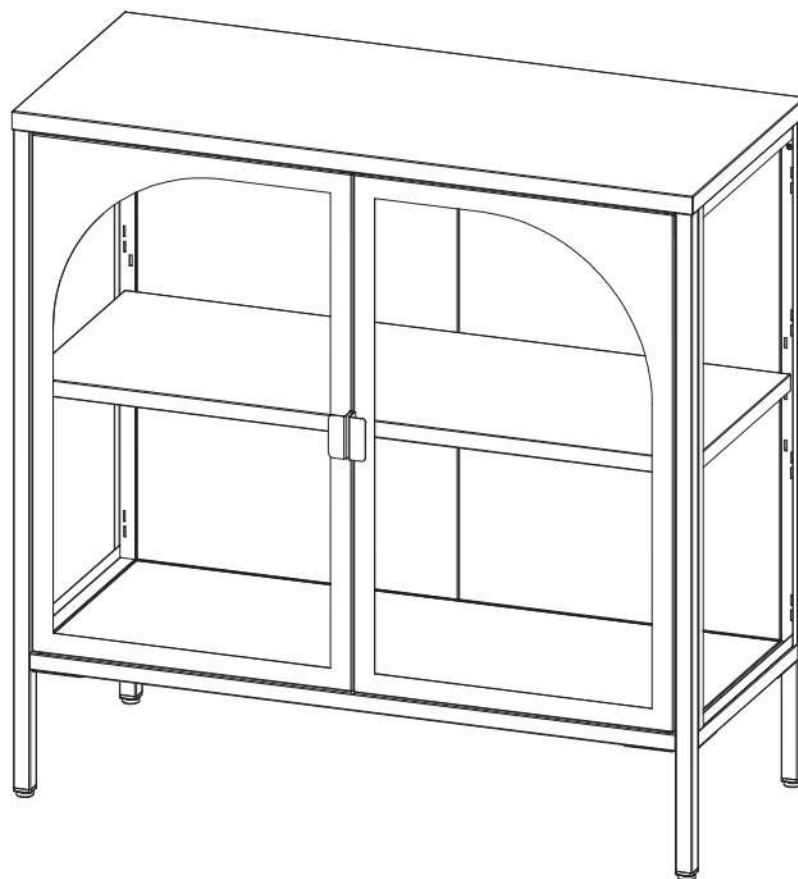
Any furniture that is not anchored to a wall has the potential to tip over in certain circumstances, ie. if a child attempts to climb on the furniture or in the event of an earthquake. Accordingly, we recommend that all furniture is anchored to a wall. We supply a free safety wall anchor with all furniture sold and we recommend these are used to prevent your product tipping. The fixing device provided should fit most wall types, but please note that different wall materials may require different fixing devices from those supplied.

ASSEMBLY INSTRUCTIONS

RECOMMENDED WEIGHT

MAXIMUM RECOMMENDED WEIGHT IS 20KG ON TOP AND 10KG INSIDE EACH SHELF.

Your new product is ready for use.



WALL AFFIXING GUIDE

NOTE: Supplied wall plugs are only suitable for use in plasterboard walls.

If you have any doubts about using the correct plug for your wall, please seek professional advice. Failure of the product due to using incorrect fixings is the responsibility of the installer.



IMPORTANT:

When drilling into walls, always check for hidden wires or pipes, etc.



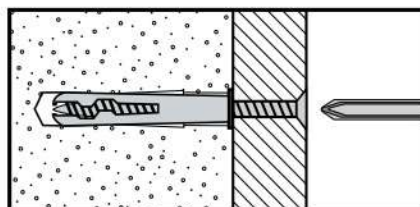
TIPS & TRICKS

Make sure that the hardware used is suitable for supporting your unit. Please consult a qualified tradesperson if unsure.

- Take extra care when drilling high walls, ceiling and ceramic tiles. Ensure wall plugs are inserted beyond the thickness of the ceramic tiles to avoid splitting or cracking.
- If you are unsure, please select a larger screw and wall plug.
- Ensure that you use the recommended drill bit to match the wall plug and hole size.
- Ensure that wall plugs are well fitted and are a tight fit in the drilled hole.

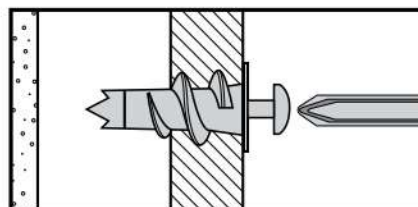
TYPES OF WALLS

Use one of the following types of wall plug (not included) if your walls are made of brick, breeze block, concrete, stone or wood. Screws may be able to be fixed directly to solid wood walls as they will provide a secure anchor point.



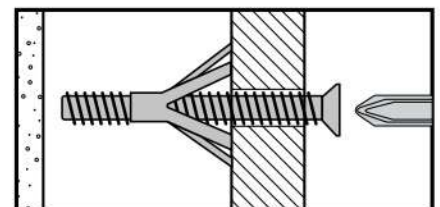
GENERAL PURPOSE WALL PLUG

Generally, aerated blocks should not be used to support heavy loads, use a specialist fitting in this case. For light loads, general purpose wall plugs can be used.



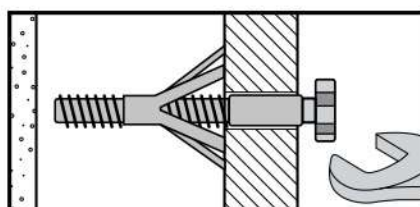
PLASTERBOARD WALL PLUG

For use when attaching light loads onto plasterboard partitions.



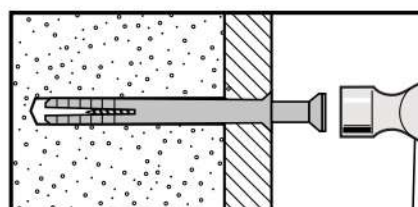
CAVITY FIXING WALL PLUG

For use with plasterboard partitions or hollow wooden doors.



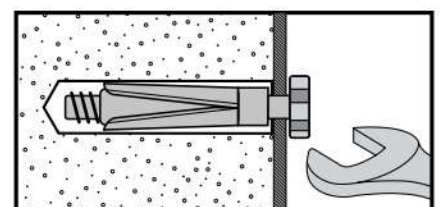
CAVITY FIXING HEAVY DUTY WALL PLUG

For use when fitting or supporting heavy loads such as shelving and wall cabinets.



HAMMER FIXING WALL PLUG

For use with concrete block or brick walls, or walls stuck with plasterboard. The hammer fixing allows it to be fixed to the wall rather than the plasterboard. Always check the fixing is secure to the retaining wall.



SHIELD ANCHOR WALL PLUG HEAVY LOADS

For use with concrete or brick walls, or for use with heavier loads such as TV & HiFi speakers and satellite dishes, etc.

CARE & MAINTENANCE OF YOUR PRODUCT

Just a few simple steps to keep your furniture looking fabulous and functioning flawlessly:

- Please periodically check all fittings and re-tighten as necessary.
- To clean your item, please use a damp cloth and wipe clean.
- To clean glass, please use glass cleaner.
- Never allow any kind of liquid to remain on your furniture.
Absorption can cause wood to warp or finishes to de-laminate.
- Please do not place hot items (eg. hot drinks) directly on to the surface.
- Please do not drag and pull your furniture.