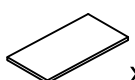

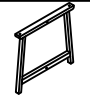





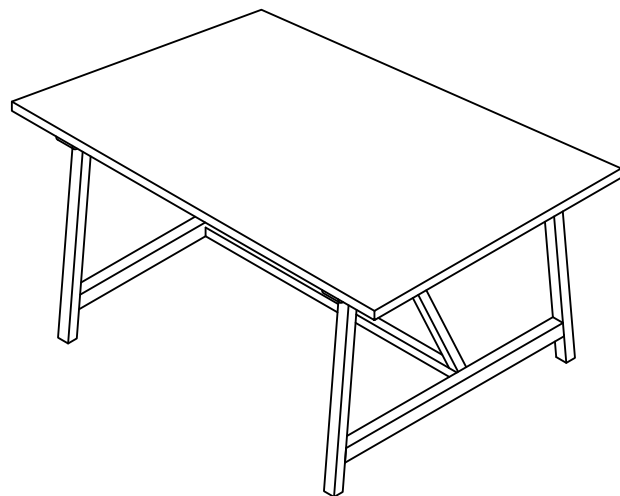
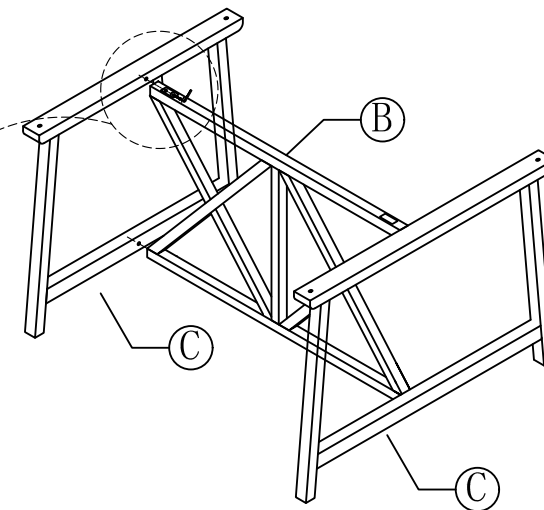
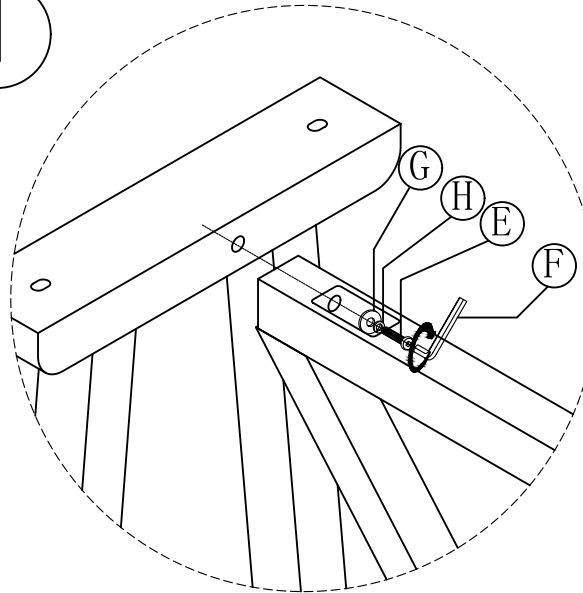


A	Top	 x 1
B	Brace	 x 1
C	Base	 x 2
D	Bolt	 M8x40 x 4
E	Bolt	 M8x60 x 4
F	Allen key	 x 1
G	Flat washer	 x 8
H	Spring washer	 x 8



1



2

