

A

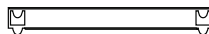
× 5

**B**

× 8

**C**

× 10

**D**

× 10

**E**

× 4

**F**

× 5

**G**

× 8



Serious or fatal crushing injuries can occur from racks tip-over. To help prevent tip-over:

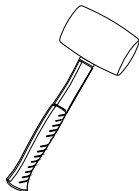
Secure racks to walls.
Place heaviest items in the bottom shelf.
Never allow children to climb on racks.
Use of tip-over restraints may only reduce, but not eliminate, the risk of tip-over.
This is a permanent label. Do not attempt to remove.



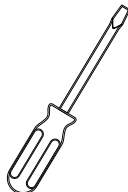
DO NOT CLIMB RACKS
TIPPING HAZARD

TOOLS REQUIRED

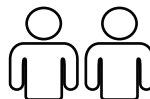
(NOT SUPPLIED)



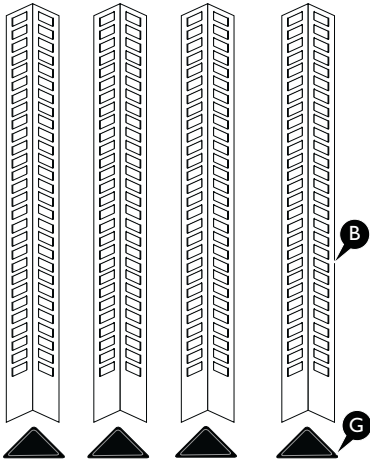
Rubber Mallet



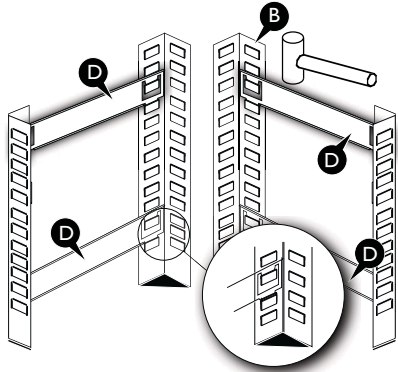
Flathead Screwdriver



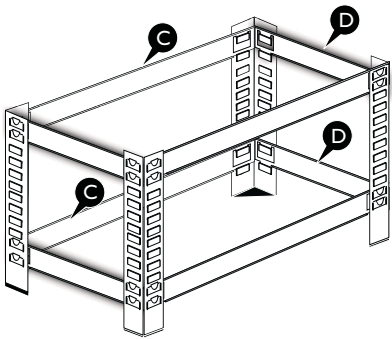
Two Person Assembly



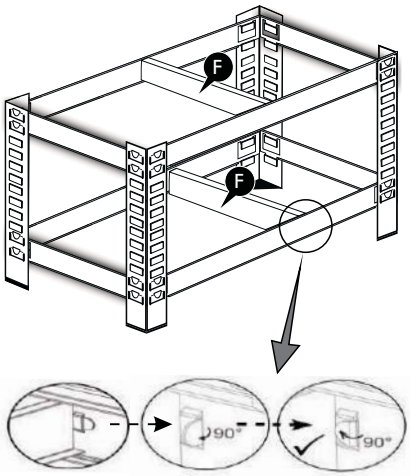
STEP 1



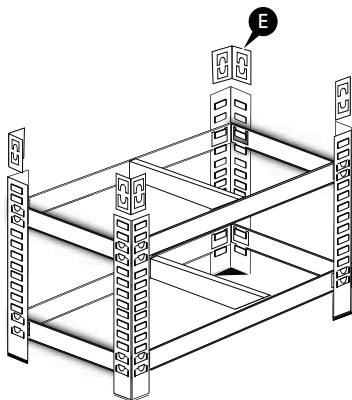
STEP 2



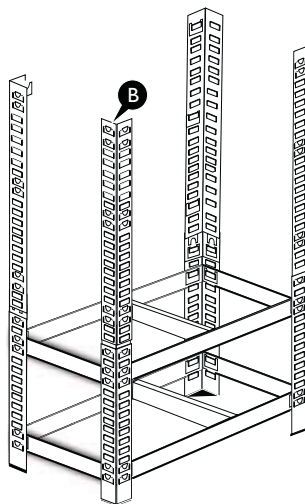
STEP 3



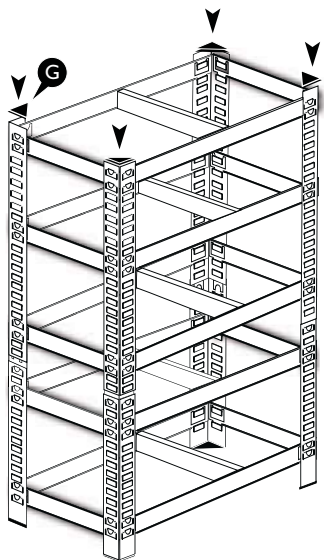
STEP 4



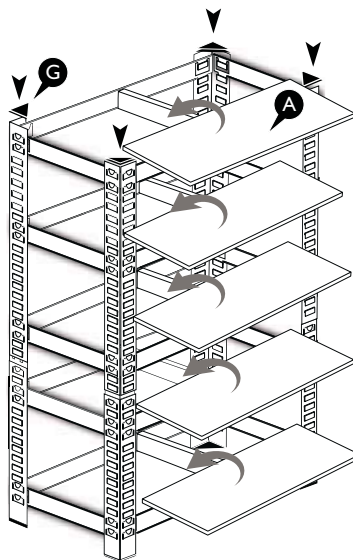
STEP 5



STEP 6



STEP 7



STEP 8