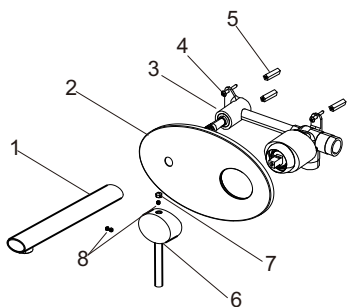


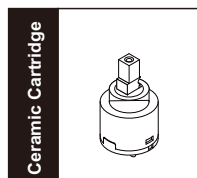
## Single Handle Wall-mounted Bathroom Faucet

Brass Construction  
Ceramic Cartridge  
Easy Installation

### DIAGRAM AND PARTS LIST



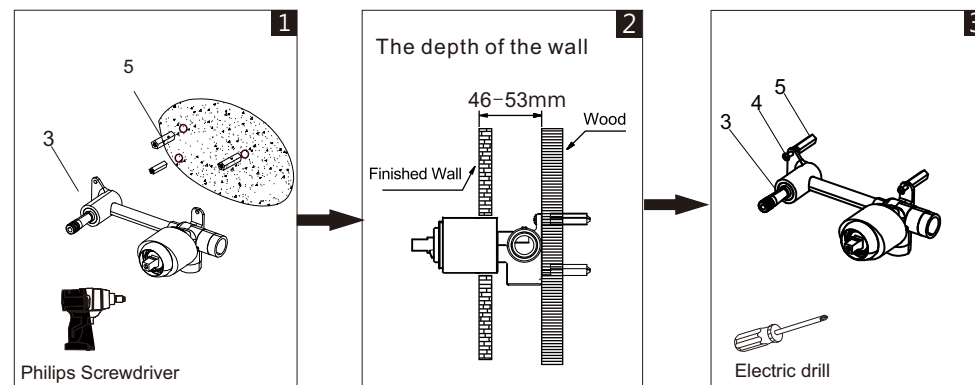
1. Spout
2. Panel
3. Valve body
4. Tapping screw
5. Setscrew
6. Handle
7. Red/ blue button
8. Screw



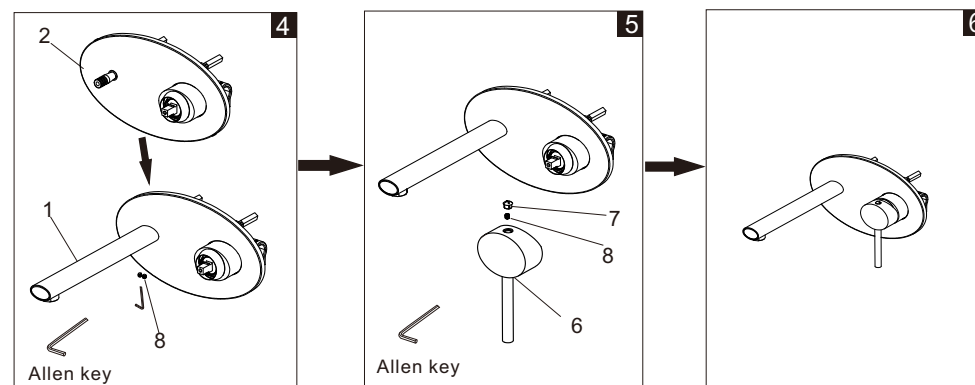
### RECOMMENDED TOOLS



### ASSEMBLY INSTRUCTIONS



1. Punch on the wall and install the setscrews(5) according to the hole distance of valve body(3).
- 2.The depth of the wall(46-53mm)
3. Install setscrews (3) and tapping screws (4). Fix and adjust the valve body (3) level.



4. Install panel (2), spout (1) and lock with screw (8).
5. Install the handle (6) and lock with screw (8), put on the red/ blue button(7).
6. Complete installation.