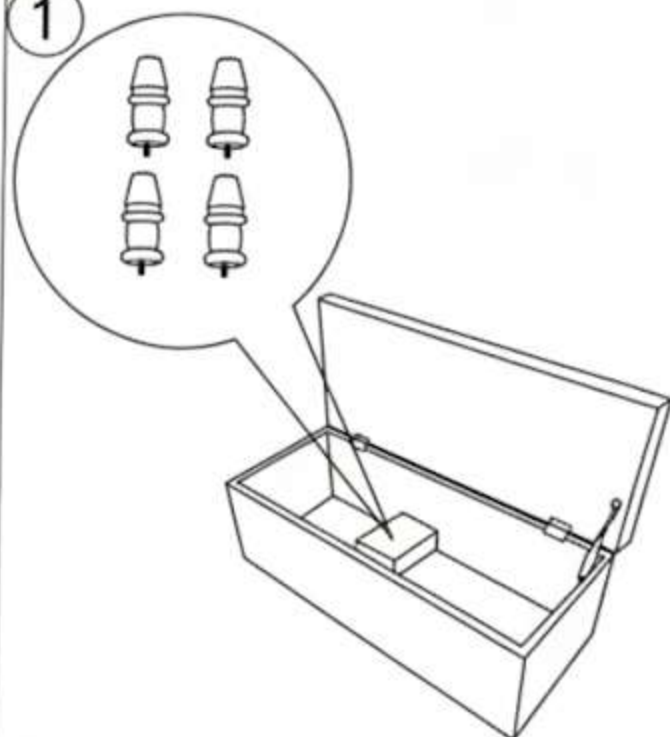


ASSEMBLY INSTRUCTION

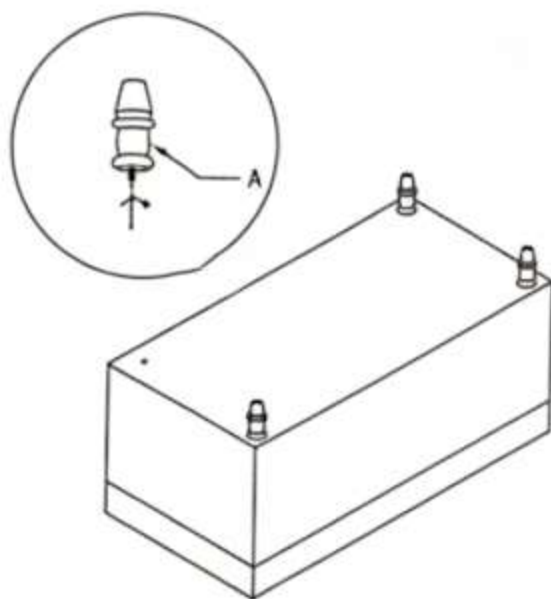


A*4

1



2



3



4

