

**Porto Queen Bed / 3S
SofaBed**

Read first, enjoy forever

Assembly tips

- Assemble your product on a level surface and lay something soft underneath to protect potential floor damage.
- Don't over tighten screws. During assembly we recommend tightening to approximately 70% tightness. Only tighten hardware 100% when fully assembled.
- Keep children away from assembly area as bags and small parts can pose a choking hazard.
- Make sure you have enough space to layout parts before starting. We recommend assembling your item in its final location.
- Do not stand on or put weight on the parts as it may warp or damage product.
- We do not recommend the use of drills or power tools (unless specified) as it may damage the product or hardware. Use hand held screwdrivers only.
- It is best that two people assemble the product as some products may be too heavy for one person. Check this booklet for guidance.

Safety, care and maintenance

- To reduce the risk of injury, always secure storage furniture to walls and/or floors by using tip-over restraints.
- Never let children climb or hang on drawers, doors or shelves.
- To protect your product and your home, we recommend using coasters, placemats, rugs and other protective items.
- Screws may loosen over time. We recommend setting a reminder to tighten up every six months.
- Remove any liquid spills immediately using a clean cloth with mild detergent. Do not use bleach or abrasive cleaners. Always test any cleaning agent in an inconspicuous spot first to know if it is suitable.

Recycling

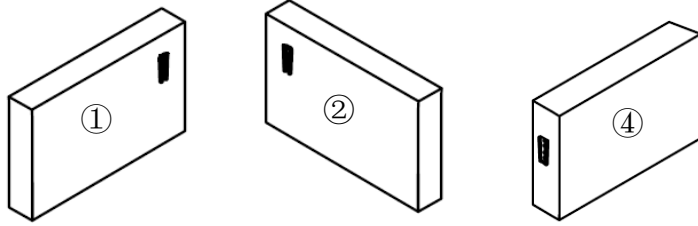
We hope that you love your product forever, but we know situations change. In the event that you wish to dispose of your product please consider some creative ways to give it a new home:

- If it's still in great shape, sell it on your favourite online marketplace!
- Give it a second life by affording it a fresh coat of paint.
- If you must dispose of it, why not donate it to your local charity or shelter for someone else to enjoy.

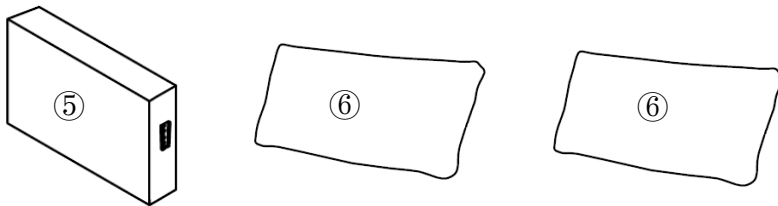
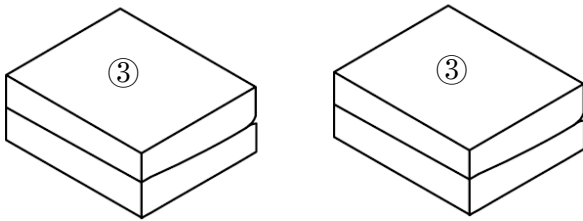
Please dispose of this product and packaging responsibly and recycle where possible. Scan the QR code to read more about Temple and Webster's commitment to a more sustainable future.






Parts list



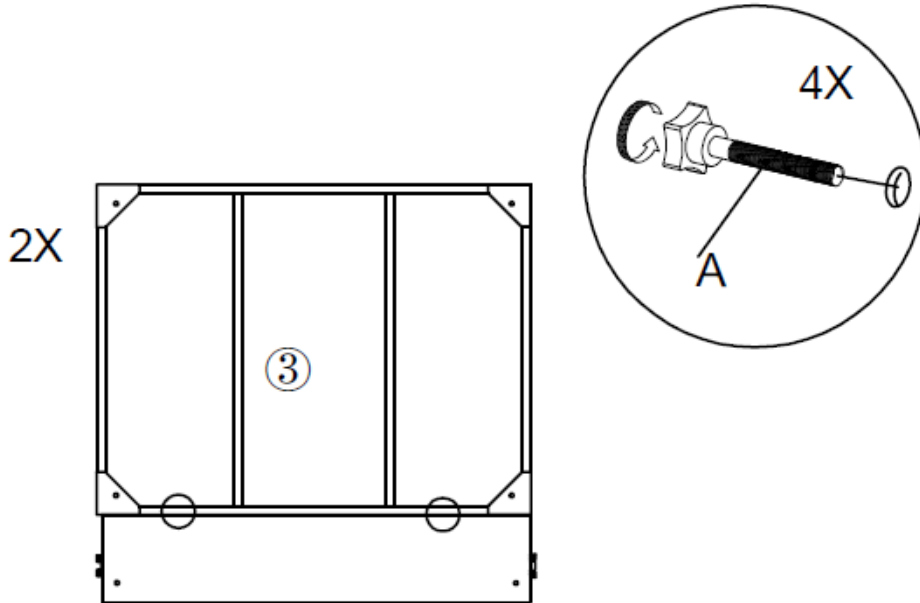
NUMBER OF PEOPLE REQUIRED FOR ASSEMBLY:
2



A	B	C
		
10pcs	16pcs	2pcs

1.

Attach the 4x Hand-tighten Screws (F) to align the holes and attach the seat cushion to the backrest.



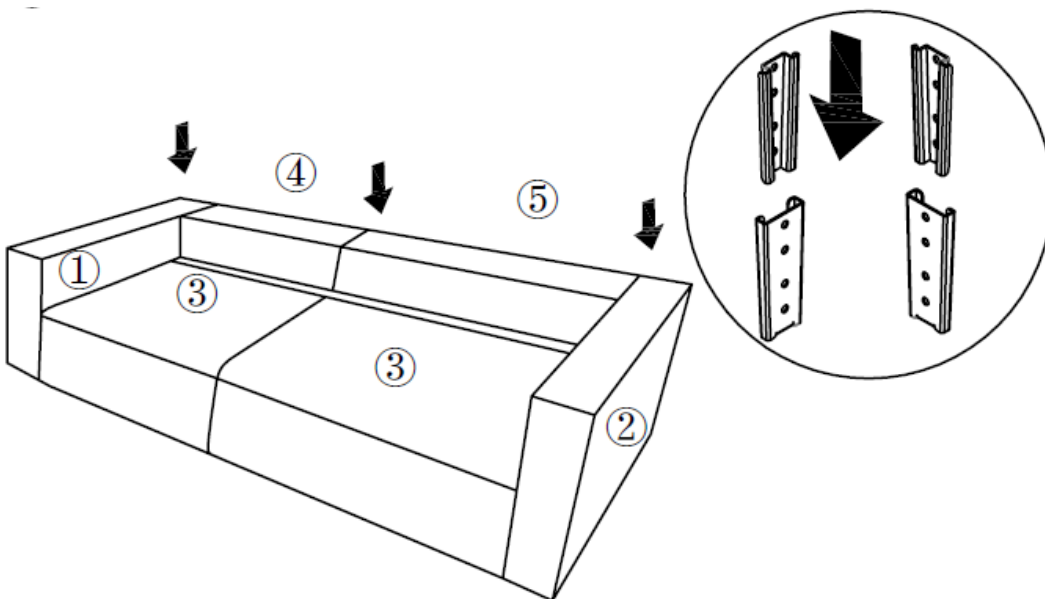
You will need:



4 Screws

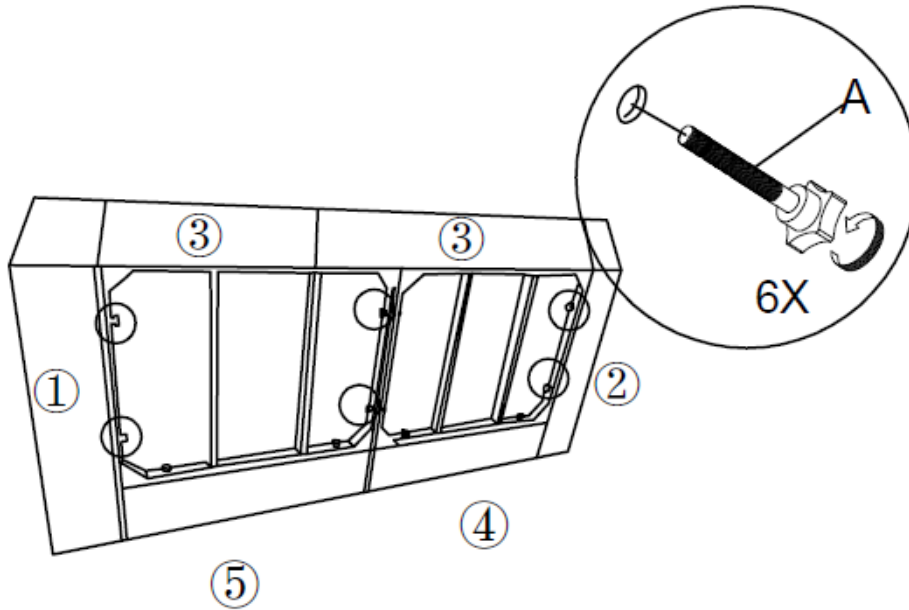
2.

Connect the Armrests (A) and (B), Backrests (E) and (D), and 2x Seat Cushions (C) following the direction of the arrows.



3.

Lay the assembly down and install the 6x Hand-tightened Screws (F) according to the hole positions.



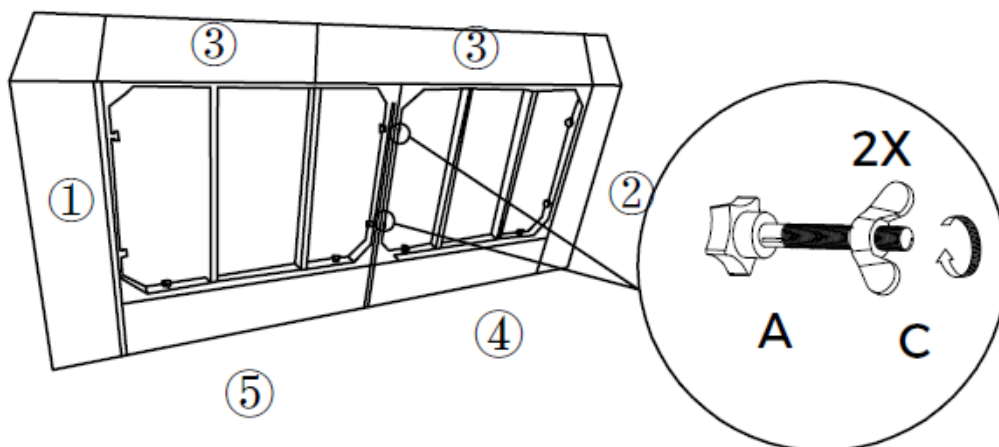
You will need:



6 Screws

4.

Attach the 2x T-Nuts (H) into the middle section.



You will need:



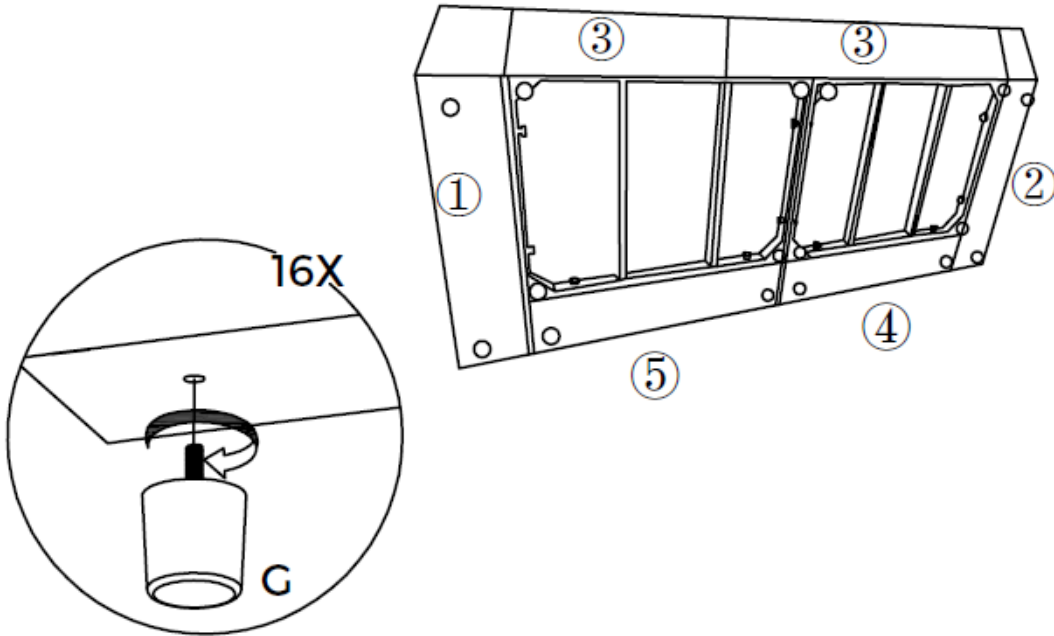
4 Screws



2 Nuts

5.

Install the 16x Legs (G) according to the hole positions.



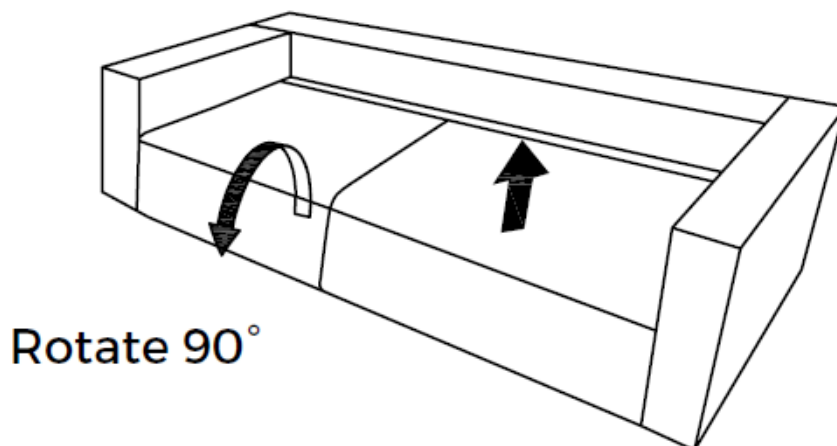
You will need:



16 feet

6.

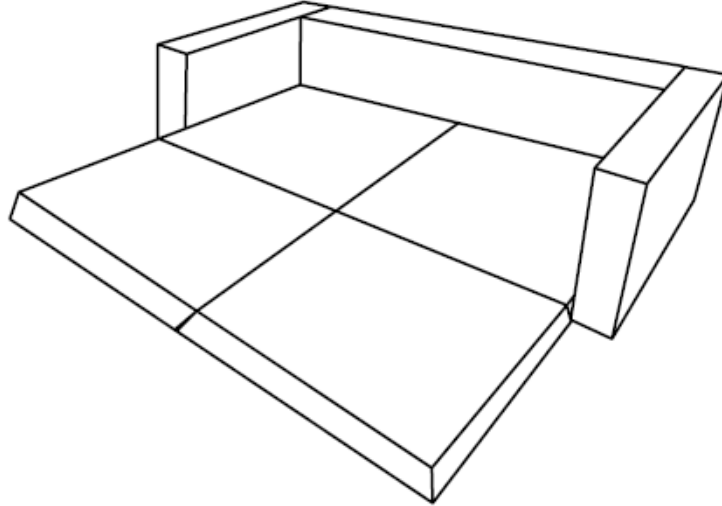
Lay the sofa flat and fold the seat cushion according to the arrows.



Rotate 90°

7.

After folding, as shown below.



8.

Place the 2x Back Cushions (I) on the sofa.

