

Talia Travertine Look
Tv Unit 200cm

Read first, enjoy forever

Assembly tips

- Assemble your product on a level surface and lay something soft underneath to protect potential floor damage.
- Don't over tighten screws. During assembly we recommend tightening to approximately 70% tightness. Only tighten hardware 100% when fully assembled.
- Keep children away from assembly area as bags and small parts can pose a choking hazard.
- Make sure you have enough space to layout parts before starting. We recommend assembling your item in its final location.
- Do not stand on or put weight on the parts as it may warp or damage product.
- We do not recommend the use of drills or power tools (unless specified) as it may damage the product or hardware. Use hand held screwdrivers only.
- It is best that two people assemble the product as some products may be too heavy for one person. Check this booklet for guidance.

Safety, care and maintenance

- To reduce the risk of injury, always secure storage furniture to walls and/or floors by using tip-over restraints.
- Never let children climb or hang on drawers, doors or shelves.
- To protect your product and your home, we recommend using coasters, placemats, rugs and other protective items.
- Screws may loosen over time. We recommend setting a reminder to tighten up every six months.
- Remove any liquid spills immediately using a clean cloth with mild detergent. Do not use bleach or abrasive cleaners. Always test any cleaning agent in an inconspicuous spot first to know if it is suitable.

Recycling

We hope that you love your product forever, but we know situations change. In the event that you wish to dispose of your product please consider some creative ways to give it a new home:

- If it's still in great shape, sell it on your favourite online marketplace!
- Give it a second life by affording it a fresh coat of paint.
- If you must dispose of it, why not donate it to your local charity or shelter for someone else to enjoy.

Please dispose of this product and packaging responsibly and recycle where possible. Scan the QR code to read more about Temple and Webster's commitment to a more sustainable future.



Important safety instructions

DANGER!

Children have died from furniture tip over.

Toppling Hazard Warning

- ALWAYS secure television with an anchor device
- ALWAYS secure this furniture with an anchor device
- For safety reasons, we recommend you follow the provided instructions
- When installed properly, the provided hardware may prevent the unit from tipping over unexpectedly.
- Never let children climb or hang on drawers, doors or shelves.
- NEVER open more than one drawer at a time
- Place heavy items down low
- For advice on suitable fastening devices, contact your local specialized dealer

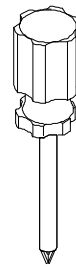
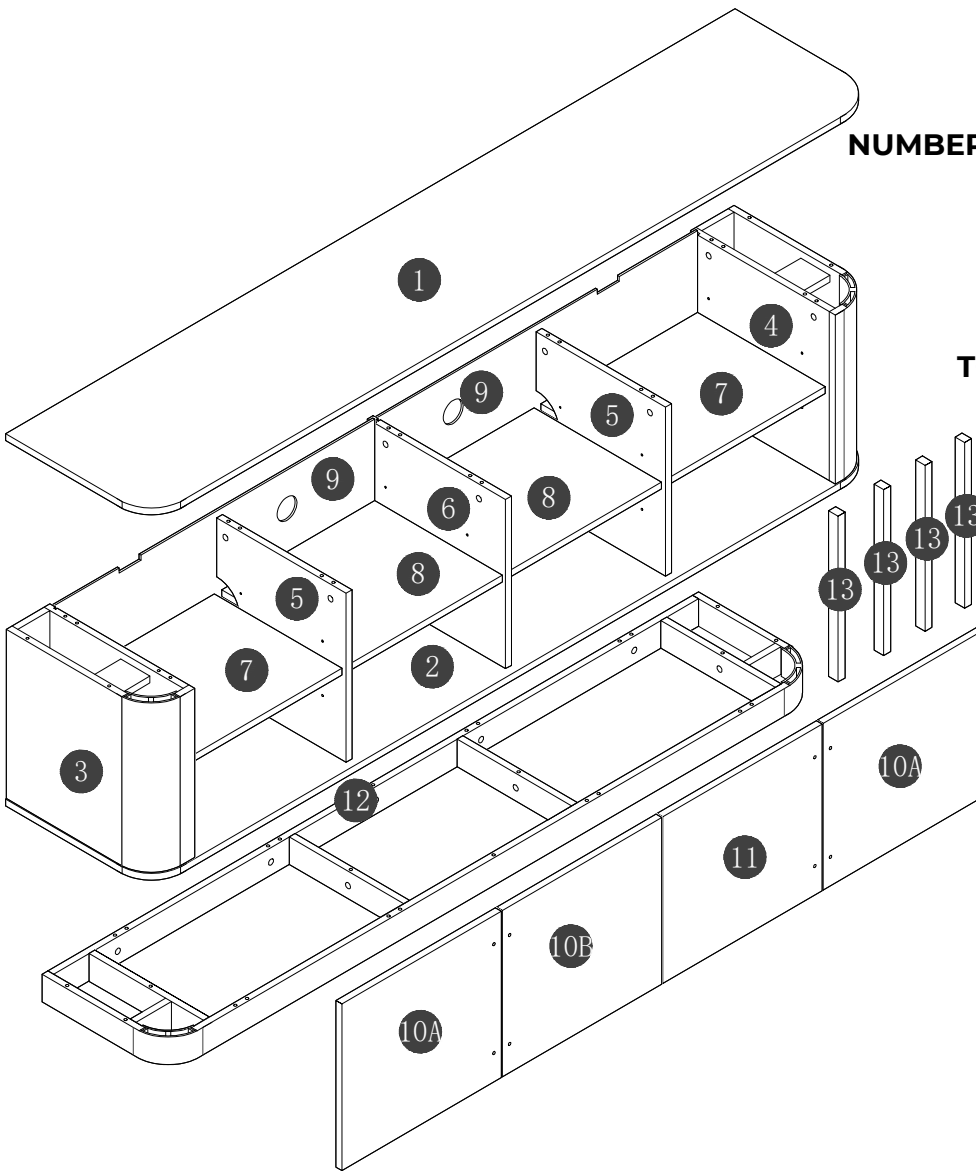




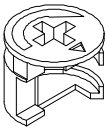

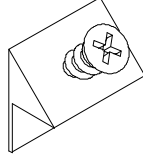
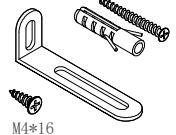
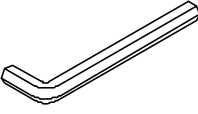
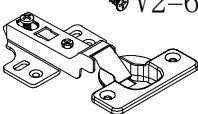
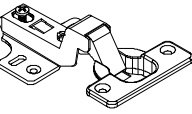
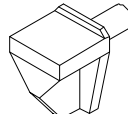
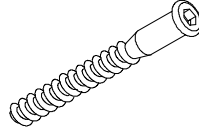
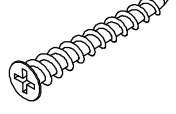
Parts list

ASSEMBLY INSTRUCTIONS Talia Travertine Look Tv Unit 200cm SETLTVTV

NUMBER OF PEOPLE REQUIRED FOR ASSEMBLY:
2

TOOLS REQUIRED FOR ASSEMBLY



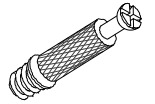
<p>A</p>  <p>24pcs</p>	<p>B</p>  <p>40pcs</p>	<p>C</p>  <p>24pcs</p>	<p>D</p>  <p>24pcs</p>	<p>E</p>  <p>12pc</p>	<p>F2</p>  <p>M4*16 2pc</p>
<p>H</p>  <p>1pc</p>	<p>I2</p>  <p>V2=6 4pcs</p>	<p>I3</p>  <p>V2=6 4pcs</p>	<p>L</p>  <p>16pcs</p>	<p>Q</p>  <p>10pcs</p>	<p>V3</p>  <p>8pcs</p>

1.

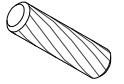
Attach 24x Cam Bolts **(A)** into Panel **(1,2)**.

Attach 40x Wood Dowels **(B)** into Panel **(1,2)**.

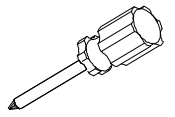
You will need:



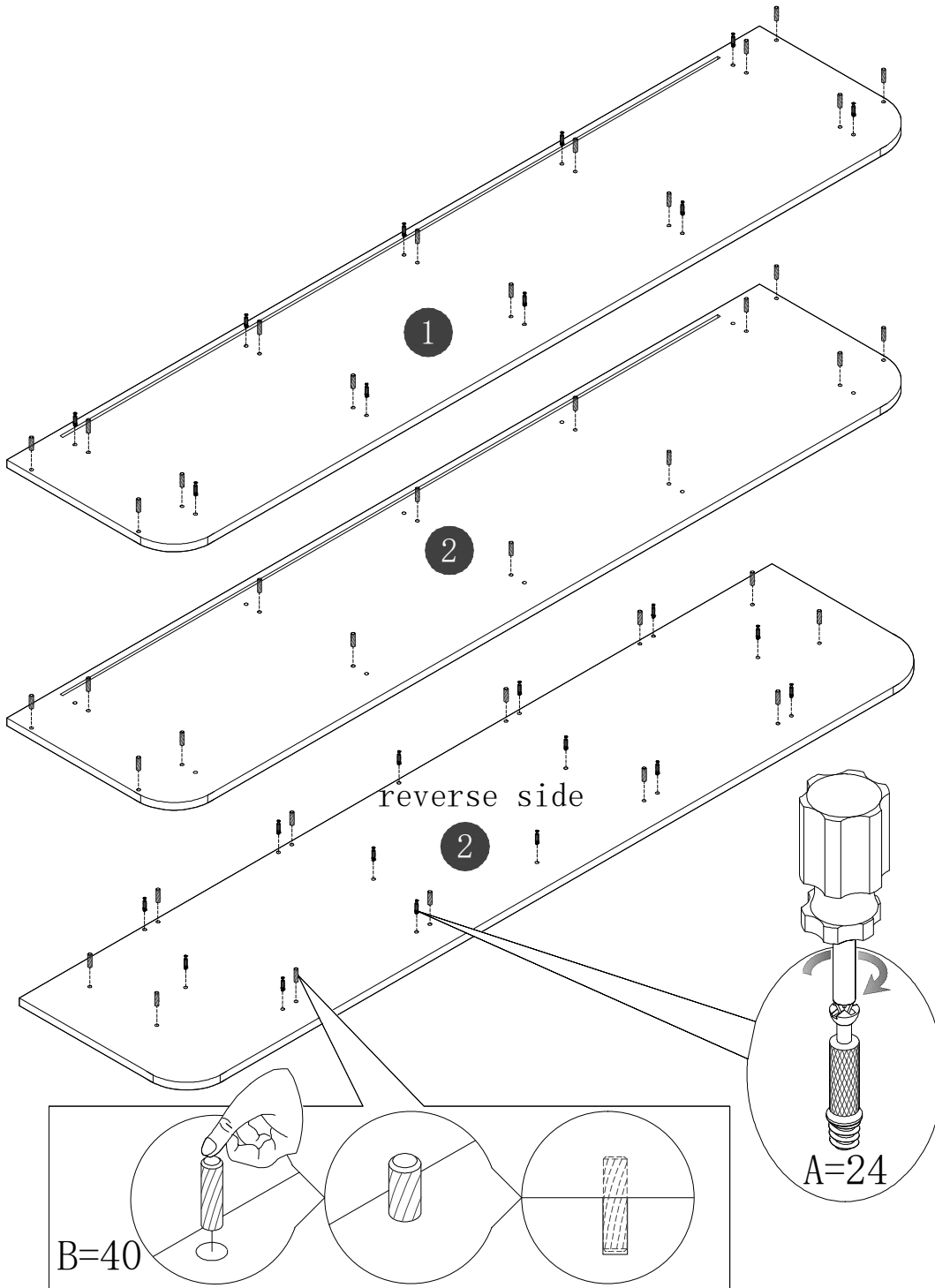
24 Cam Bolts



40 $\Phi 8 \times 30$
Wood Dowels

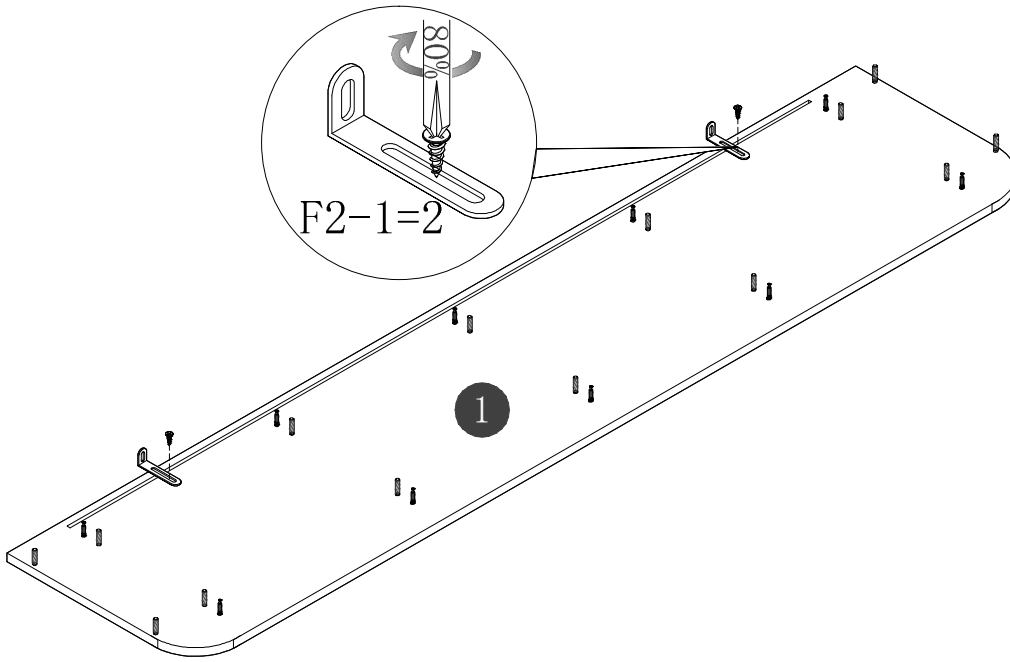


1 Phillips head
screw driver

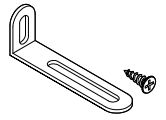


2.

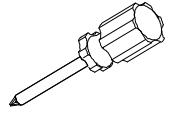
Attach 2x safety bracket (**F2**) to Panel (**1**) with screw driver.



You will need:



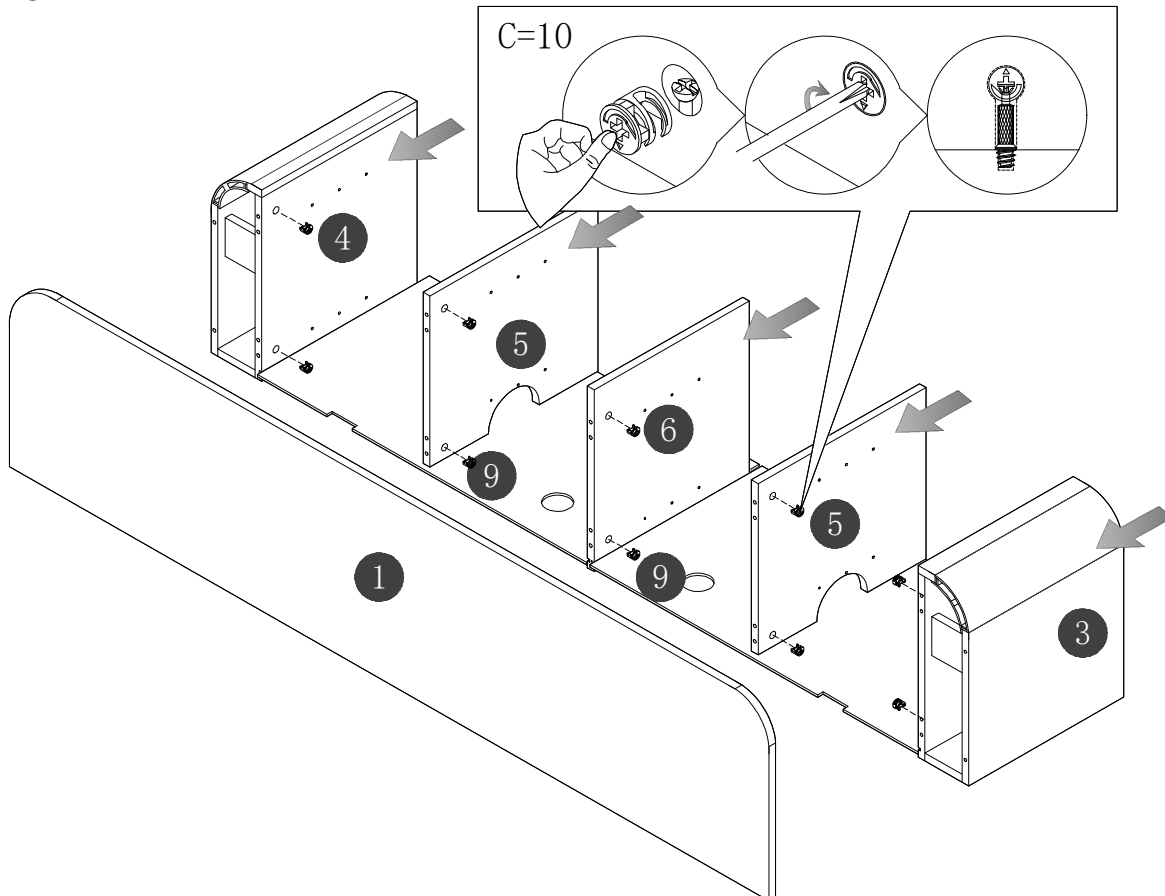
2 Safety bracket



1 Phillips head screw driver

3.

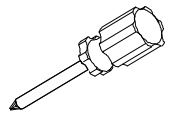
Attach Panel (**1**) to Panel (**3,4,5,6**), Insert panel (**9**) into grooves between panel (**1,3,4,6**). , Insert 10x Cam Nuts (**C**) into holes on panel (**3,4,5,6**) Tighten the Cam Nuts with screw driver.



You will need:



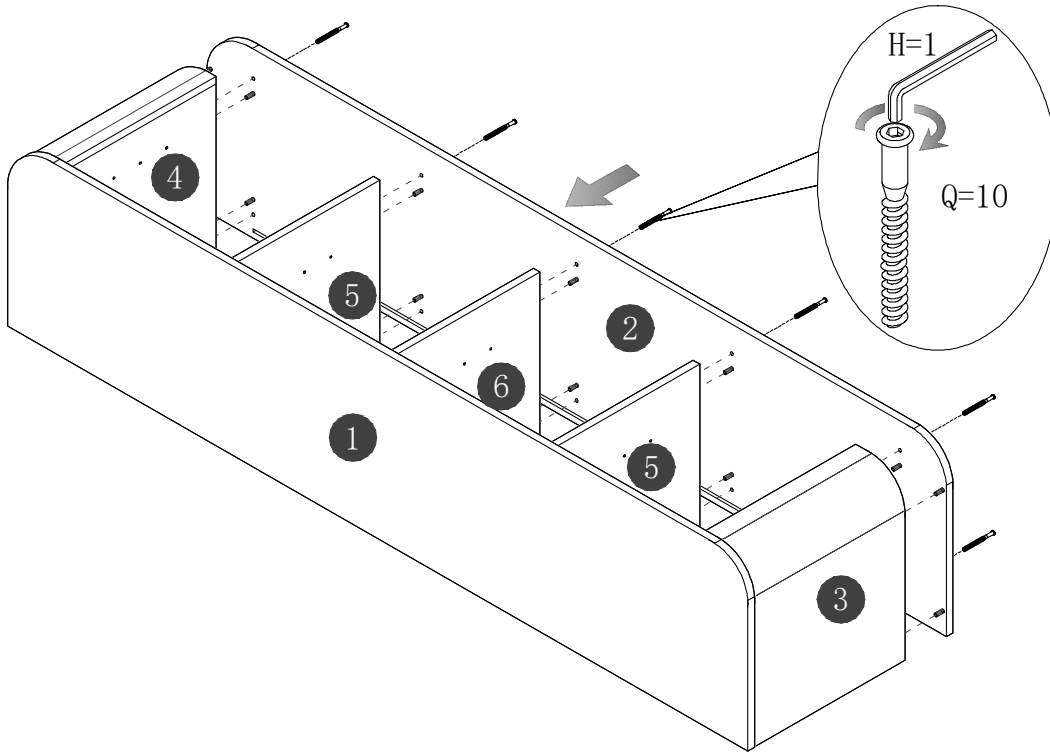
10 Cam Nuts



1 Phillips head screw driver

4.

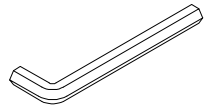
Attach panel **(2)** to panel **(3,4,5,6)** with 10x Bolts **(Q)**. Tighten the Bolts with Allen wrench.



You will need:



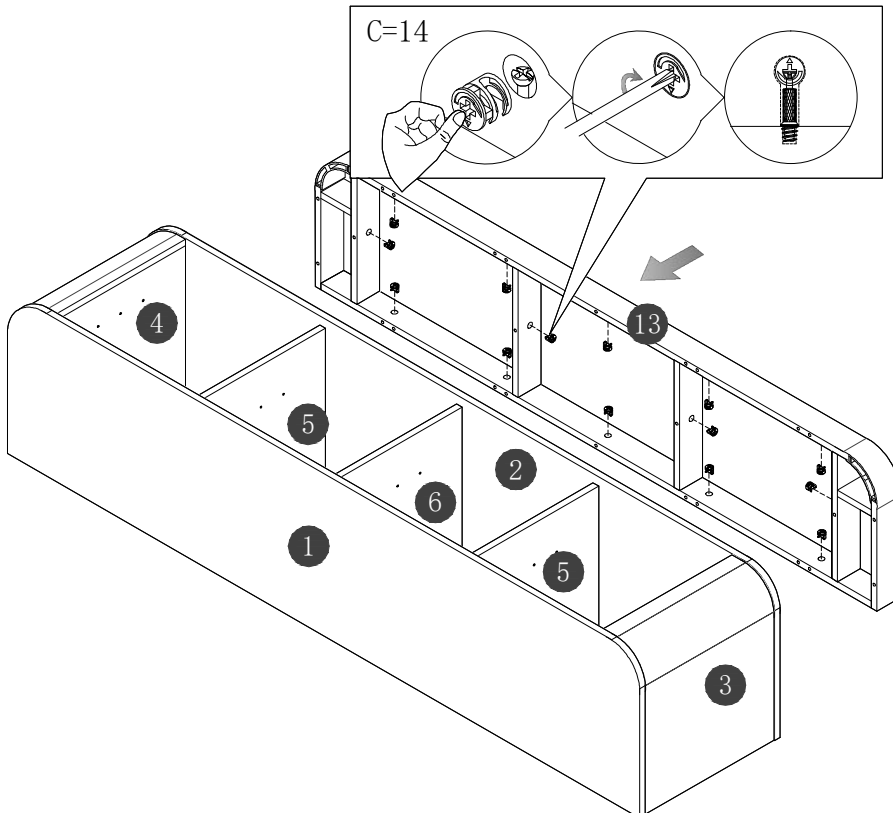
10 $\Phi 7 \times 50$ Bolts



1 Allen wrench

5.

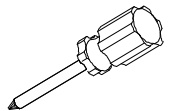
Attach Wood frame base **(13)** to Panel **(2)**, Insert 14x Cam Nuts **(C)** into holes on Wood frame base **(13)**, tighten the Cam Nuts with screw driver.



You will need:



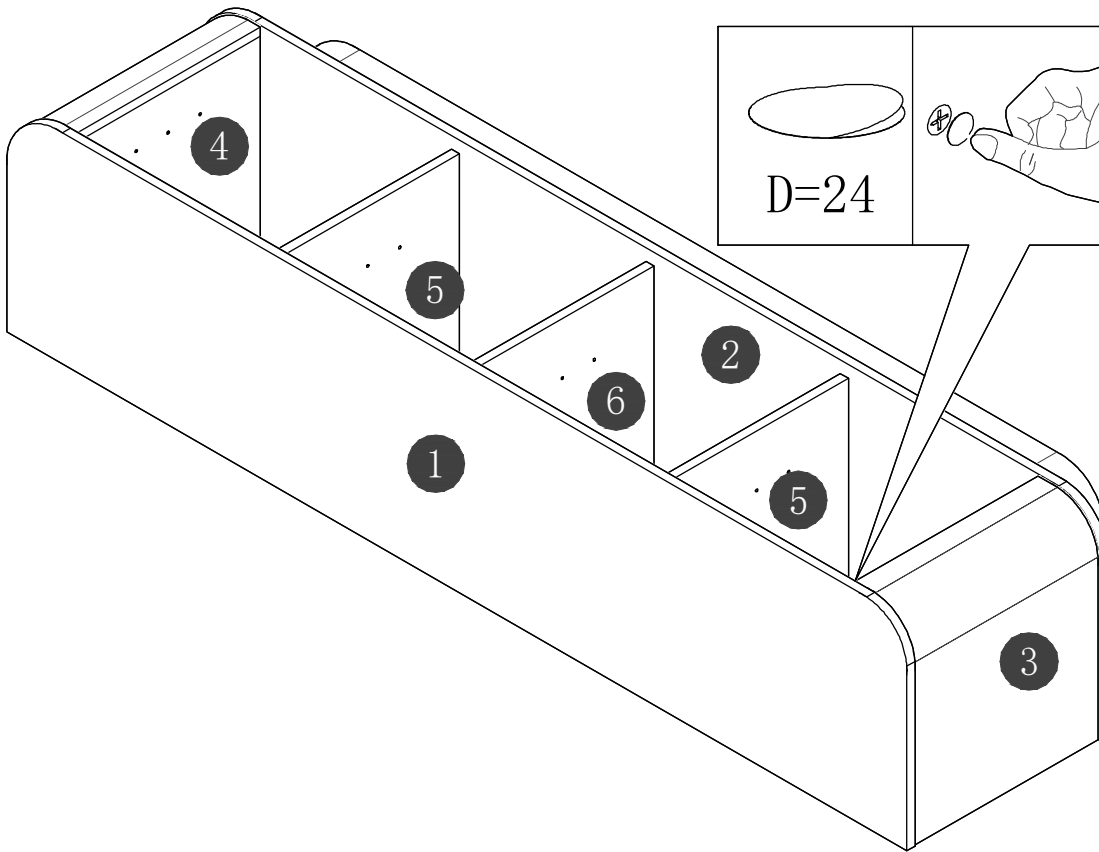
14 Cam Nuts



1 Phillips head screw driver

6.

Cover the holes with 24x caps (**D**).



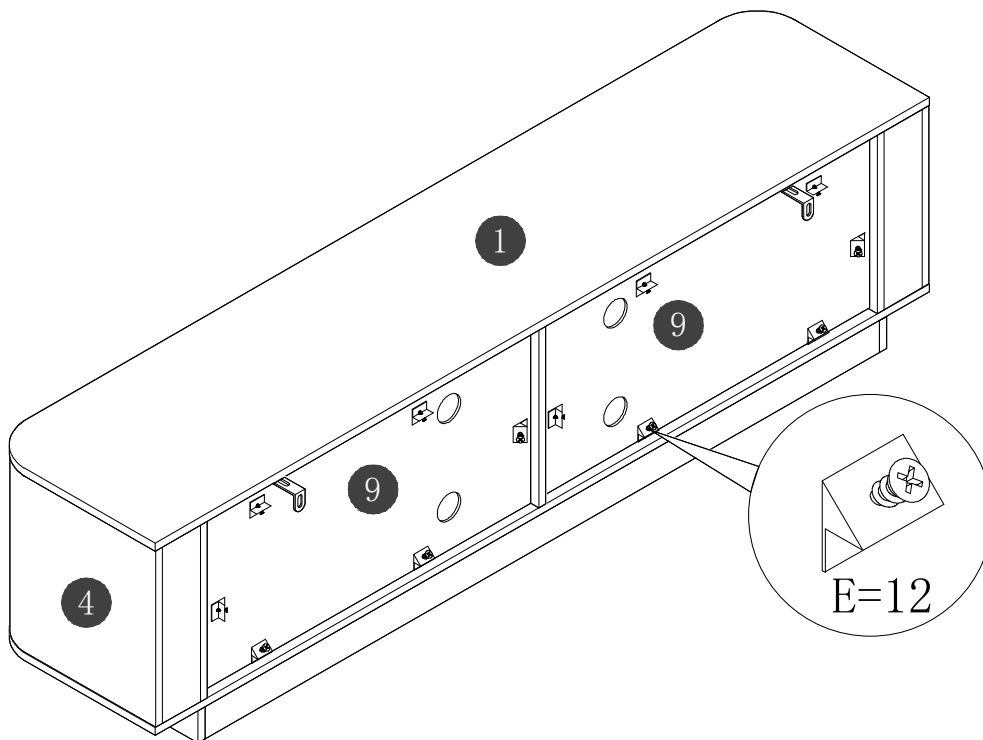
You will need:



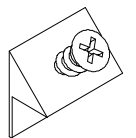
24 caps

7.

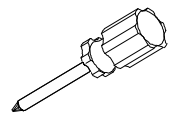
Insert the 12x Back panel hook (**E**) into the back and using screw to fix .



You will need:



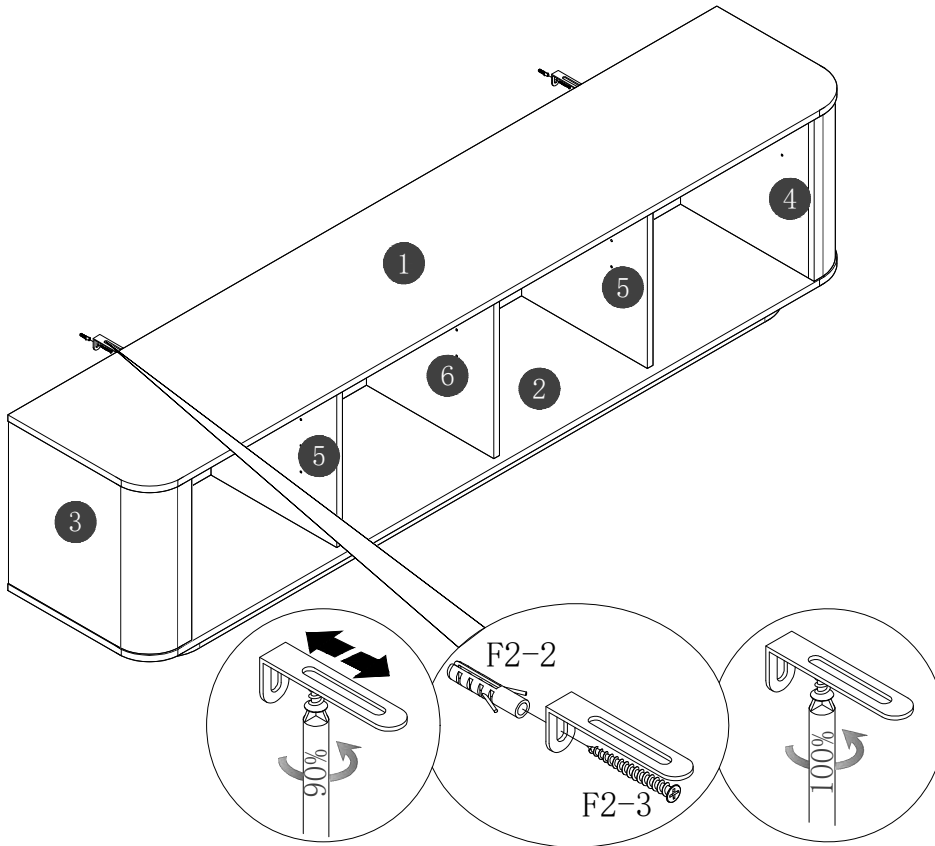
12 back panel hook



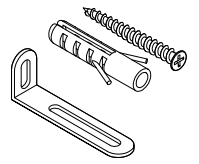
1 Phillips head screw driver

8.

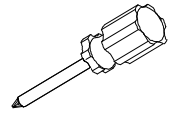
Assemble 2x safety bracket (F2).



You will need:



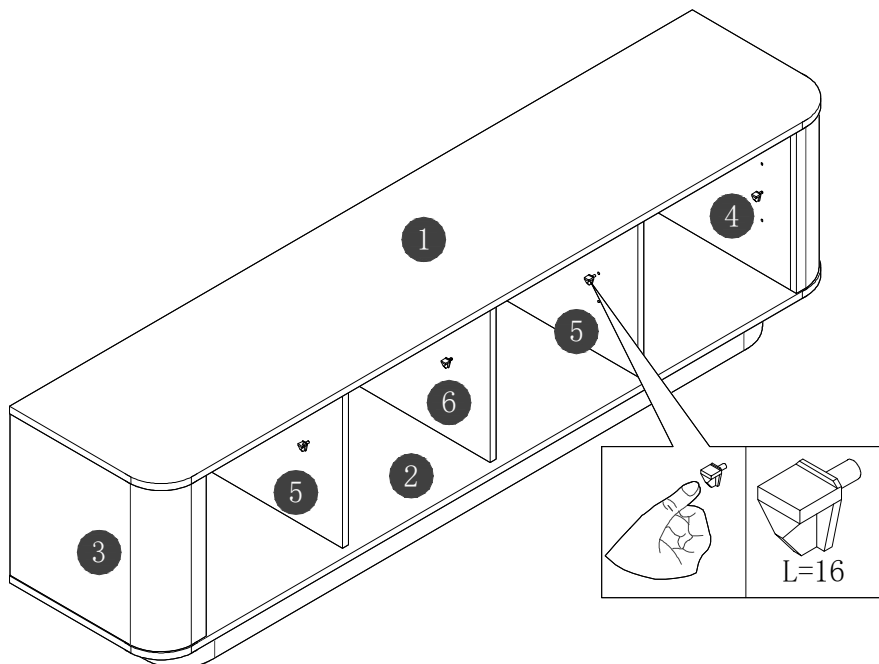
2 Safety bracket



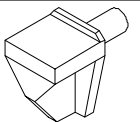
1 Phillips head screw driver

9.

Insert the 16x shelf support (L) into the panel (3,4,5,6)



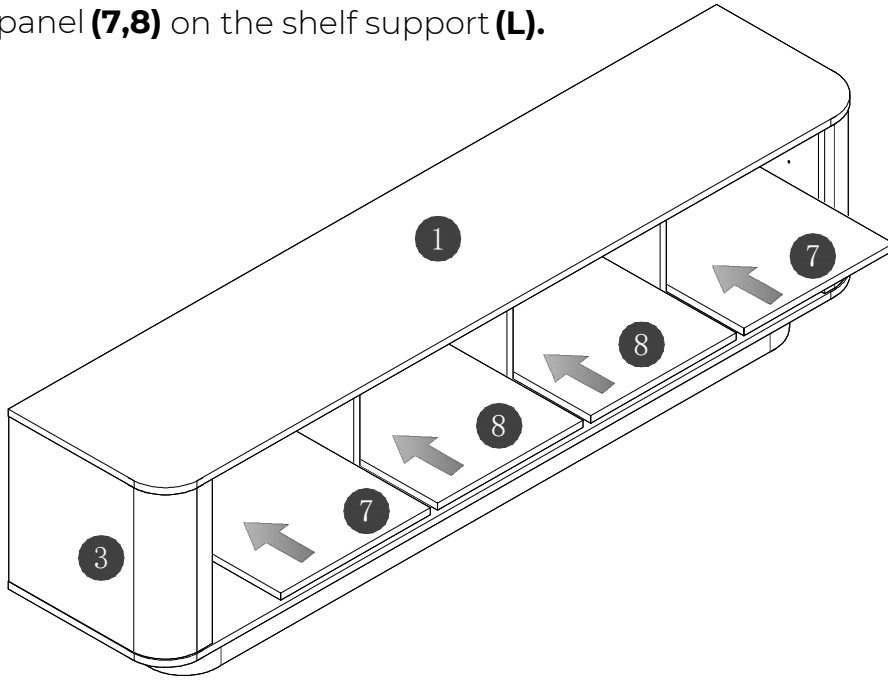
You will need:



16 Shelf Support

10.

Place the panel (7,8) on the shelf support (L).



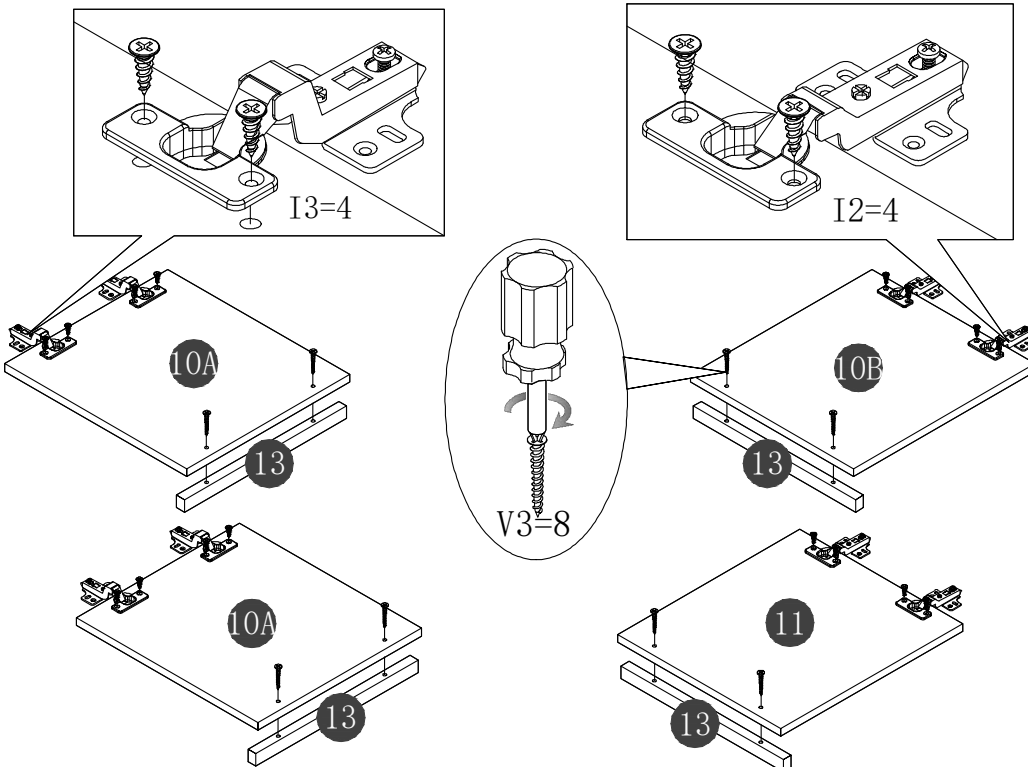
11.

Attach 4x Hinge (I2) to Door panel (10B,11) with 8x screw.

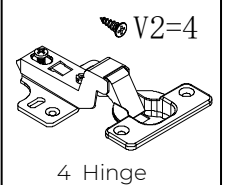
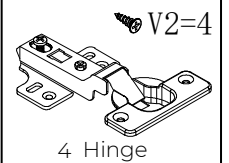
Attach 4x Hinge (I3) to Door panel (10A) with 8x screw.

Attach 4x Hand panel (13) to Door panel (10A,10B,11) with 8x screw (V3).

Tighten the screw with screw driver.



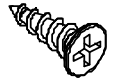
You will need:



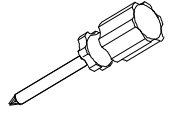
12.

Attach Door panel **(10A)** to panel **(3,4)** with 8x screw.
Attach Door panel **(10B,11)** to panel **(6)** with 8x screw.
Tighten the screw with screw driver.

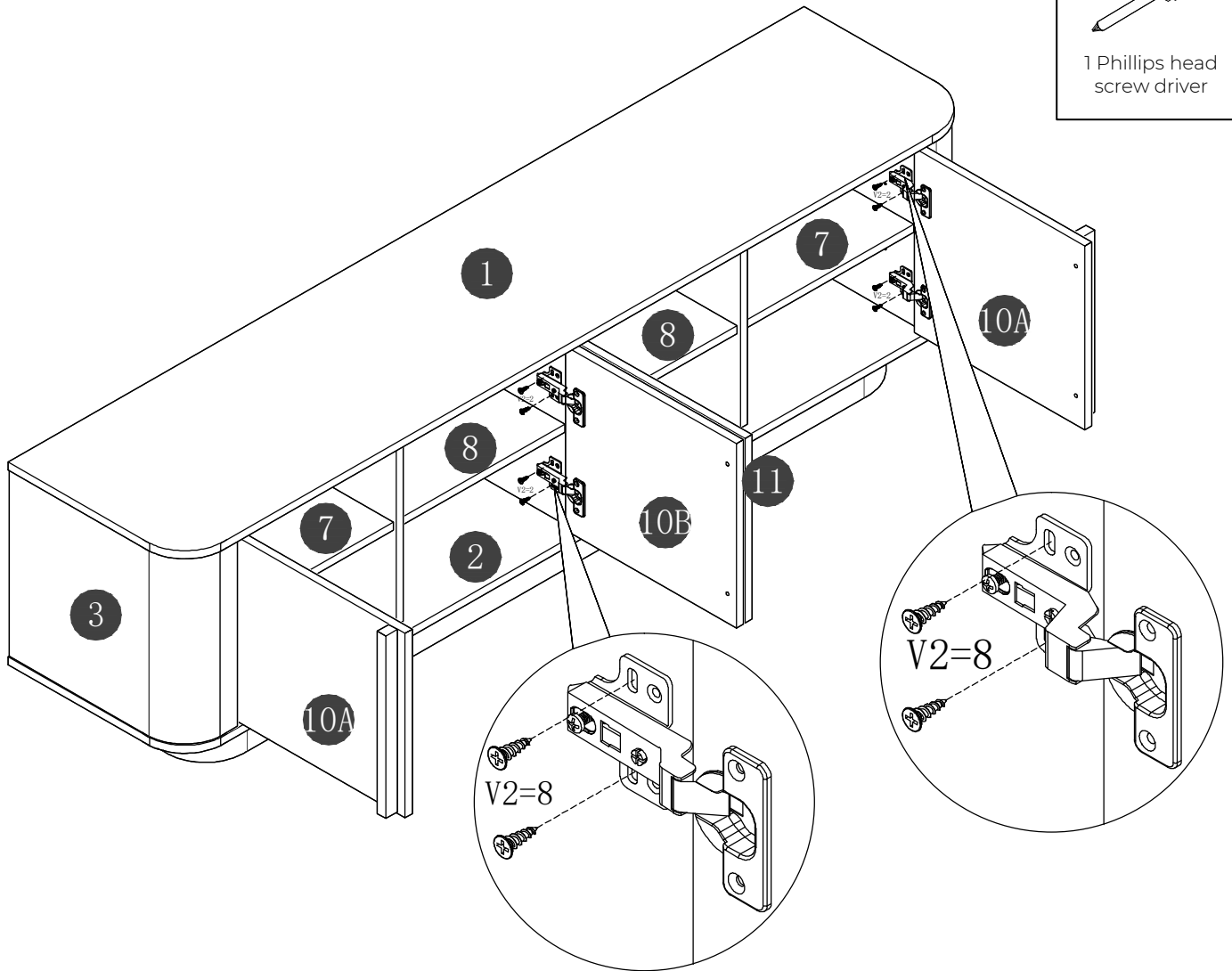
You will need:



16 Screws



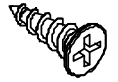
1 Phillips head screw driver



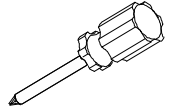
13.

Attach Door panel **(10A)** to panel **(3,4)** with 8x screw.
Attach Door panel **(10B,11)** to panel **(6)** with 8x screw.
Tighten the screw with screw driver.
Adjust to proper position with screw driver.

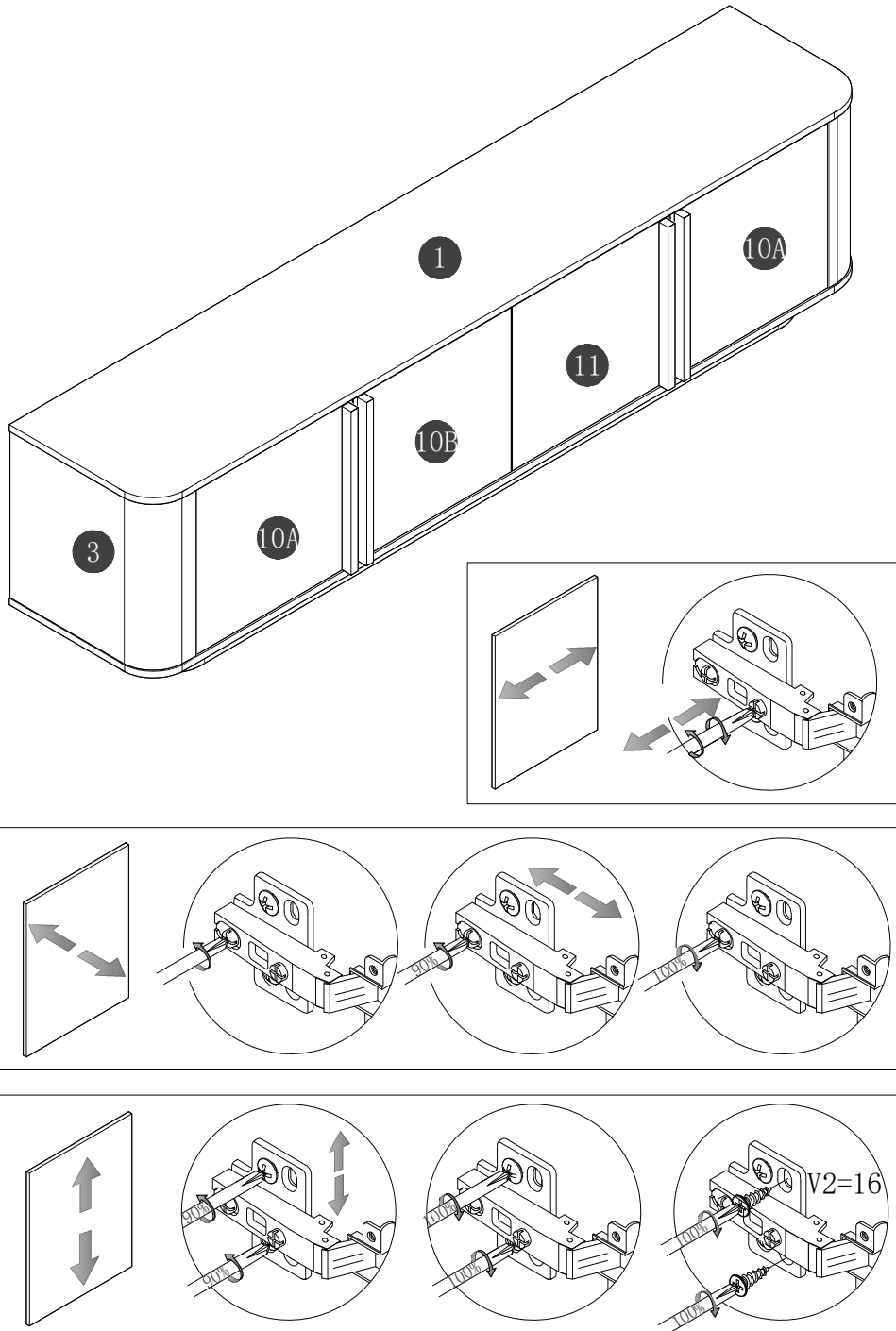
You will need:



16 Screws



1 Phillips head screw driver



14.

ASSEMBLY COMPLETE

