

Ally L Shape Standing Desk with Storage

Read first, enjoy forever

Assembly tips

- Assemble your product on a level surface and lay something soft underneath to protect potential floor damage.
- Don't over tighten screws. During assembly we recommend tightening to approximately 70% tightness. Only tighten hardware 100% when fully assembled.
- Keep children away from assembly area as bags and small parts can pose a choking hazard.
- Make sure you have enough space to layout parts before starting. We recommend assembling your item in its final location.
- Do not stand on or put weight on the parts as it may warp or damage product.
- We do not recommend the use of drills or power tools (unless specified) as it may damage the product or hardware. Use hand held screwdrivers only.
- It is best that two people assemble the product as some products may be too heavy for one person. Check this booklet for guidance.

Safety, care and maintenance

- To reduce the risk of injury, always secure storage furniture to walls and/or floors by using tipover restraints.
- Never let children climb or hang on drawers, doors or shelves.
- To protect your product and your home, we recommend using coasters, placemats, rugs and other protective items.
- Screws may loosen over time. We recommend setting a reminder to tighten up every six months.
- Remove any liquid spills immediately using a clean cloth with mild detergent. Do not use bleach or abrasive cleaners. Always test any cleaning agent in an inconspicuous spot first to know if it is suitable.

Recycling

We hope that you love your product forever, but we know situations change. In the event that you wish to dispose of your product please consider some creative ways to give it a new home:

- If it's still in great shape, sell it on your favourite online marketplace!
- Give it a second life by affording it a fresh coat of paint.
- If you must dispose of it, why not donate it to your local charity or shelter for someone else to enjoy.

Please dispose of this product and packaging responsibly and recycle where possible. Scan the QR code to read more about Temple and Webster's commitment to a more sustainable future.

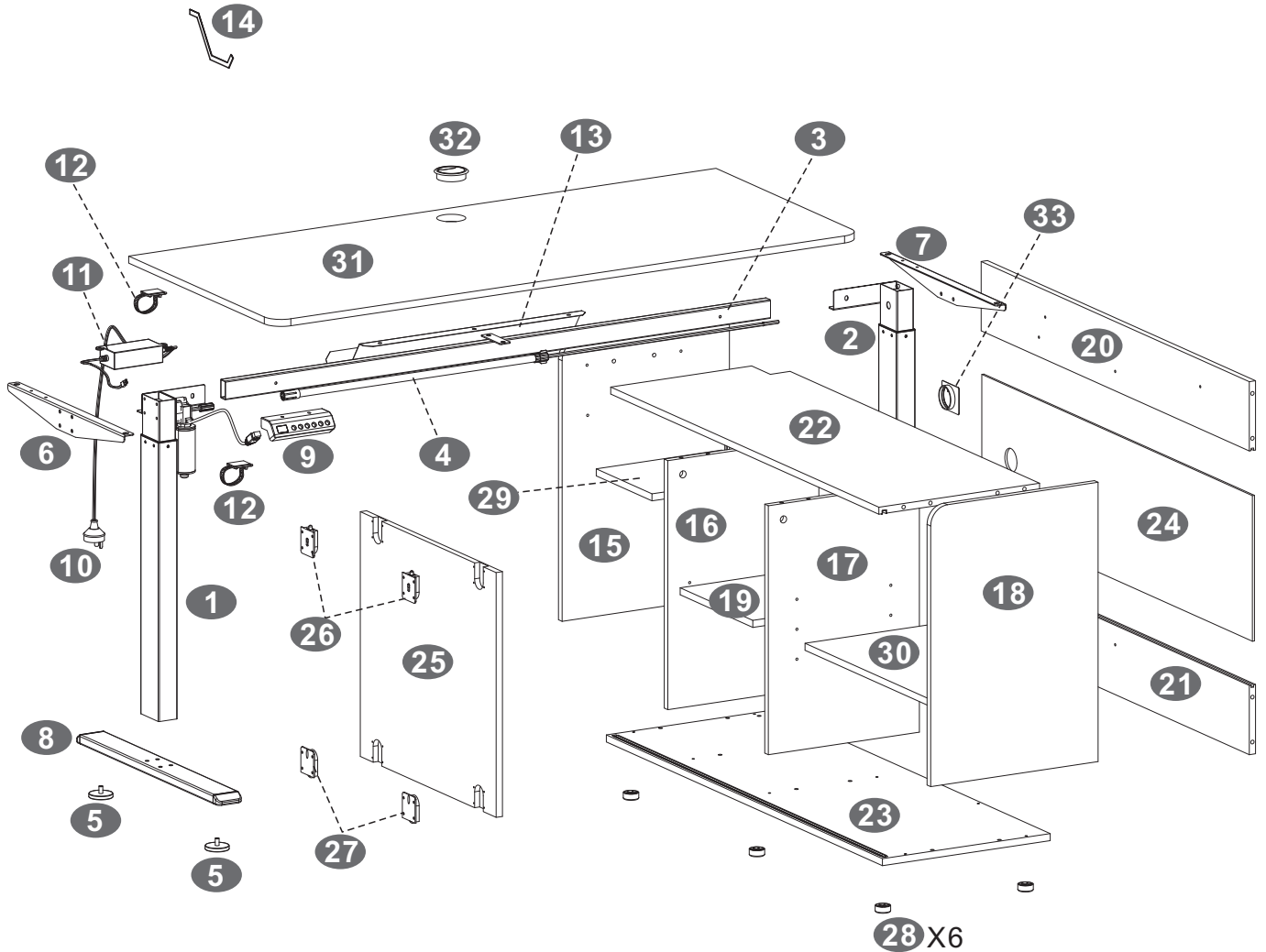


Parts list

ASSEMBLY INSTRUCTIONS

Ally L Shape Standing Desk with Storage

LSALSTDWSWO

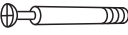



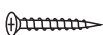

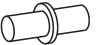






NUMBER OF PEOPLE REQUIRED FOR ASSEMBLY:

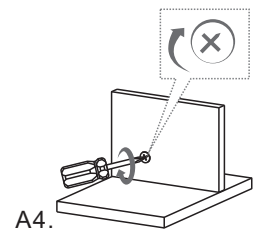
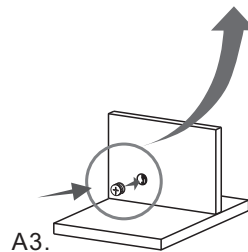
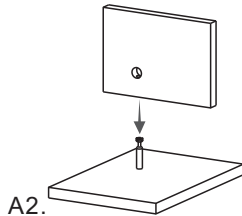
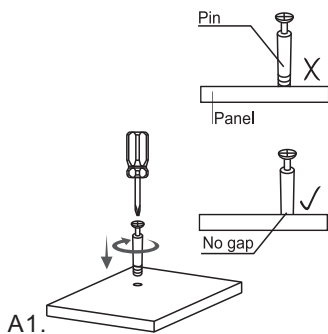
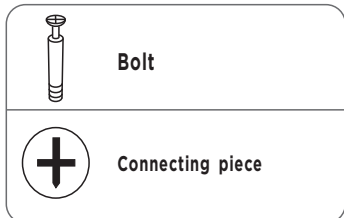
2

TOOLS REQUIRED FOR ASSEMBLY

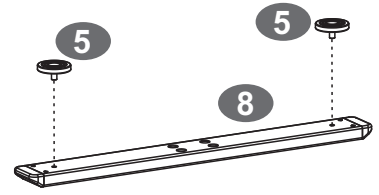
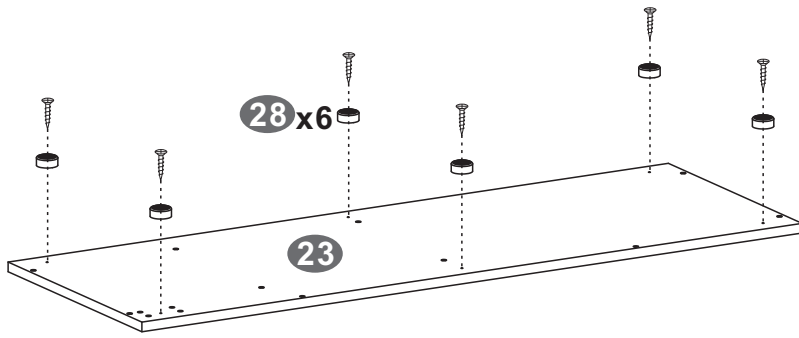


<p>A</p>  <p>20PCS</p>	<p>B</p>  <p>8PCS</p>	<p>C</p>  <p>23PCS</p>	<p>D</p>  <p>16PCS</p>	<p>E</p>  <p>6PCS</p>	<p>F</p>  <p>20PCS</p>
<p>G</p>  <p>8PCS</p>	<p>H</p>  <p>20PCS</p>	<p>I</p>  <p>16PCS</p>	<p>J</p>  <p>6PCS</p>	<p>K</p>  <p>6PCS</p>	



6X40MM BOLT INSTALLATION AS BELOW:



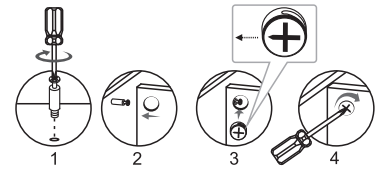
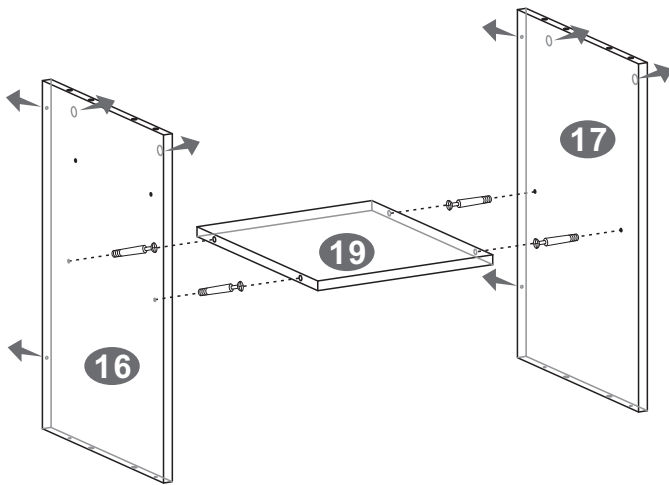
1.



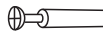

SCREWS



E 3X20 MM  x6 

2.

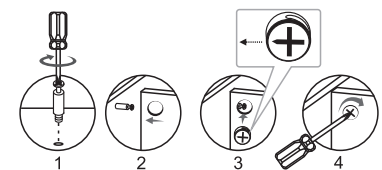
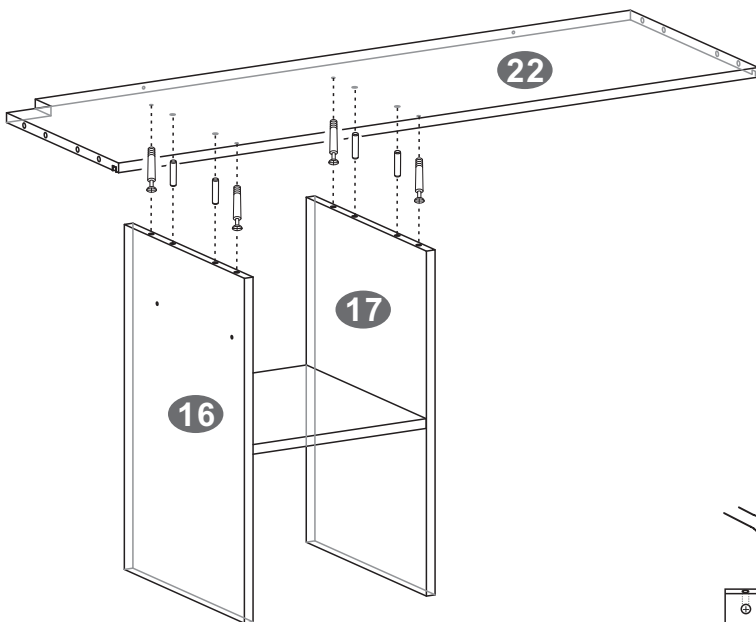


SCREWS



A 6X40 MM  x4 



H Φ 15 MM  x4 



3.



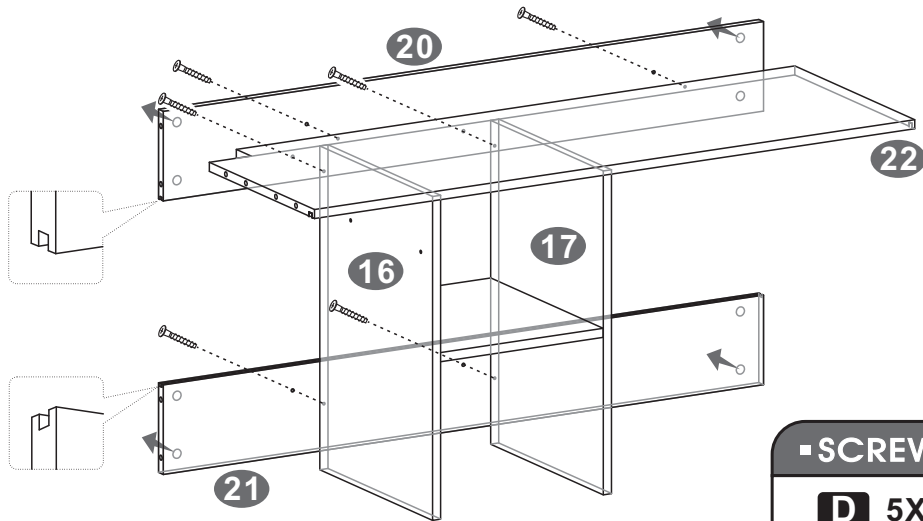
SCREWS

A 6X40 MM  x4 

H Φ 15 MM  x4 

I 8X30 MM  x4 

4.

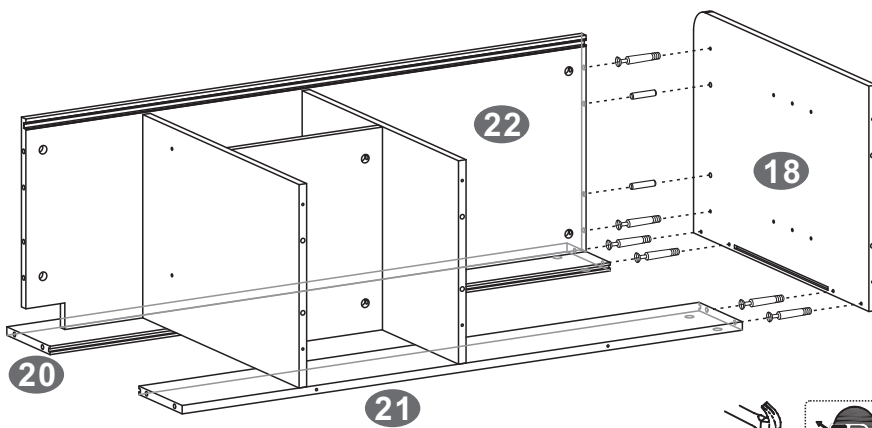


SCREWS

D 5X40 MM

x6

5.



SCREWS

A 6X40 MM

x6

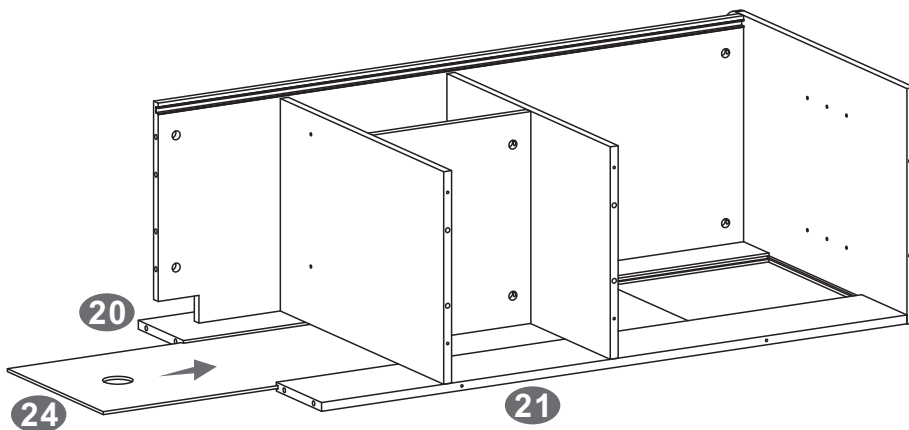
H Φ 15 MM

x6

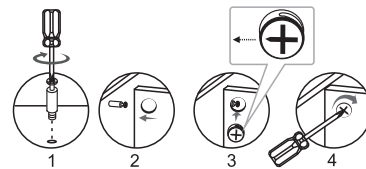
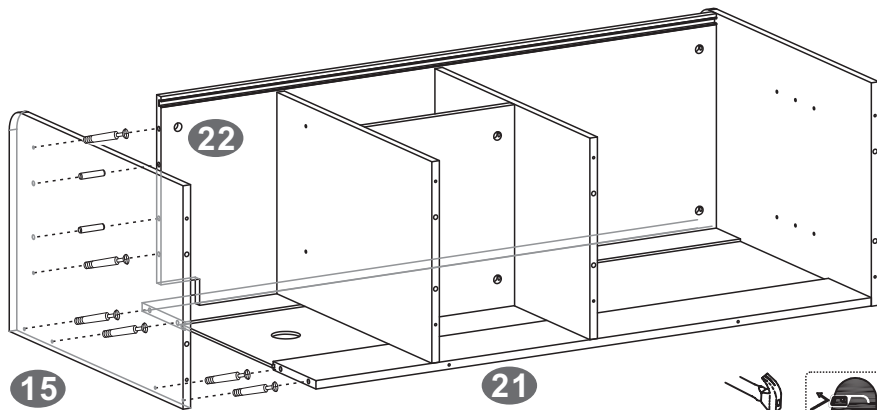
I 8X30 MM






x2

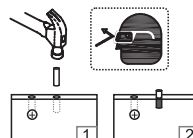
6.



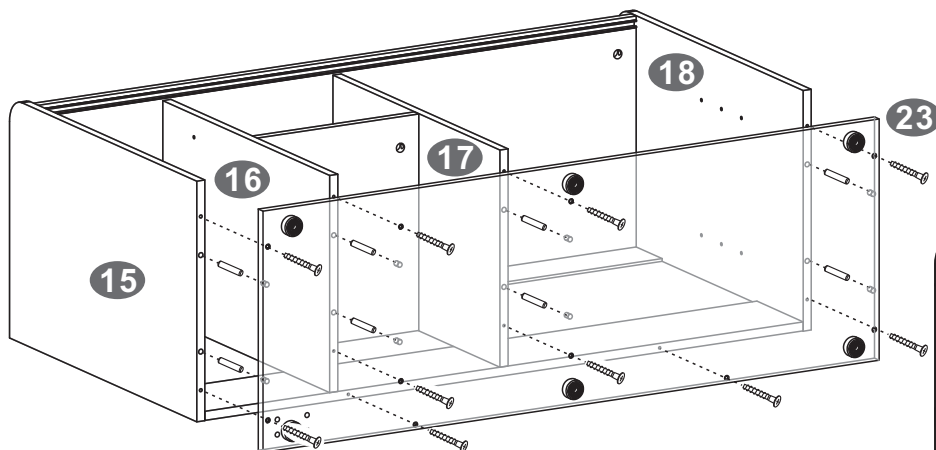
7.






- SCREWS	
A 6X40 MM	
 x6	
H Φ 15 MM	
 x6	
I 8X30 MM	
 x2	

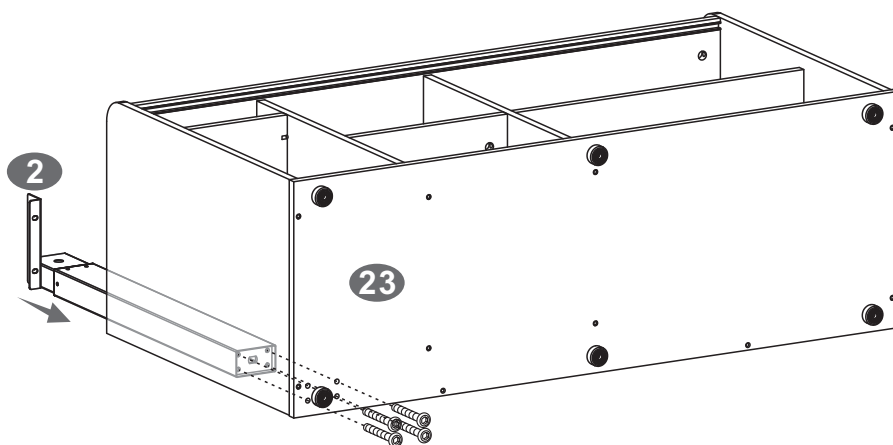




8.



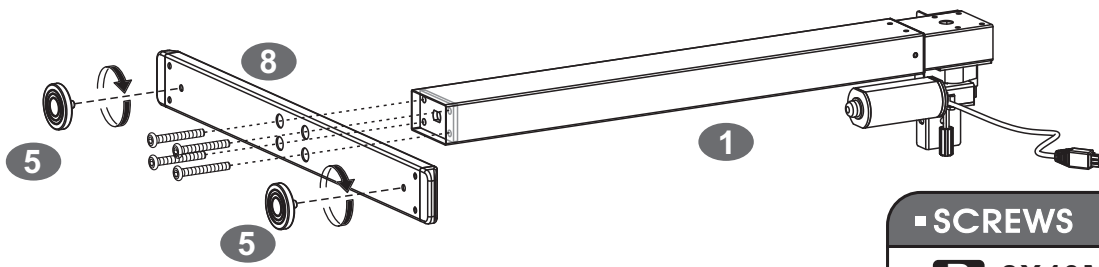
- SCREWS	
D 5X40 MM	
 x10	
I 8X30 MM	
 x8	


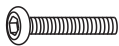
9.



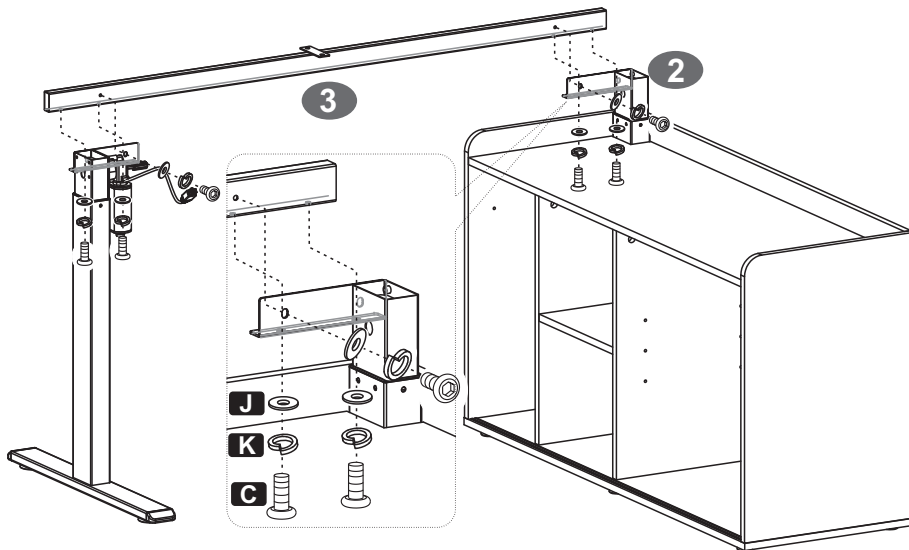
- SCREWS	
B 8X40MM	
 x4	M5





10.



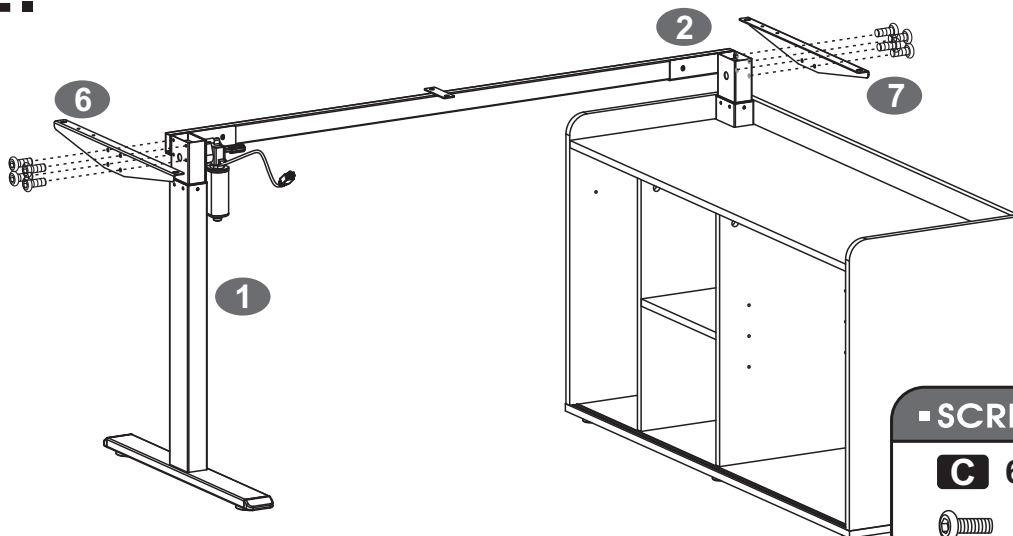
- SCREWS		
B	8X40MM	 M5
	x4	

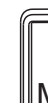
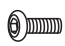
11.



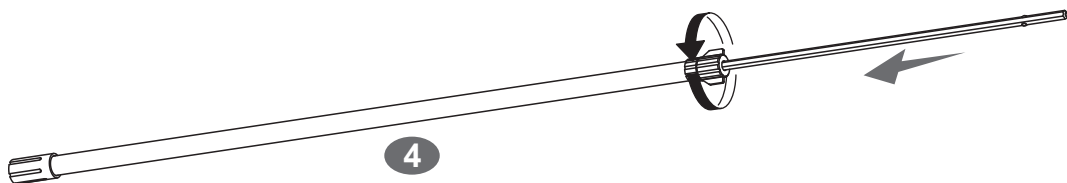
- SCREWS		
C	6X12 MM	 M4
	x6	
K	Φ 10 MM	
	x6	
J	Φ 16 MM	
	x6	

12.

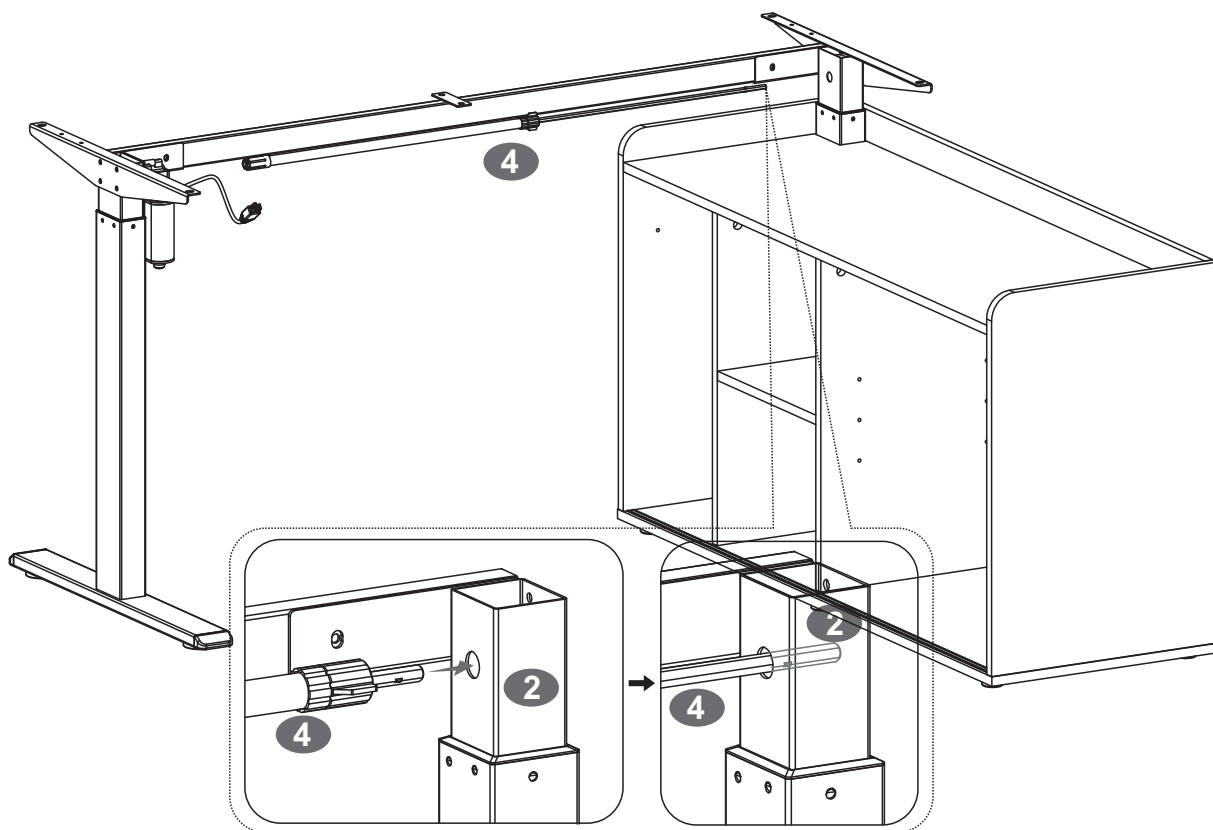


- SCREWS		
C	6X12 MM	 M4
	x8	

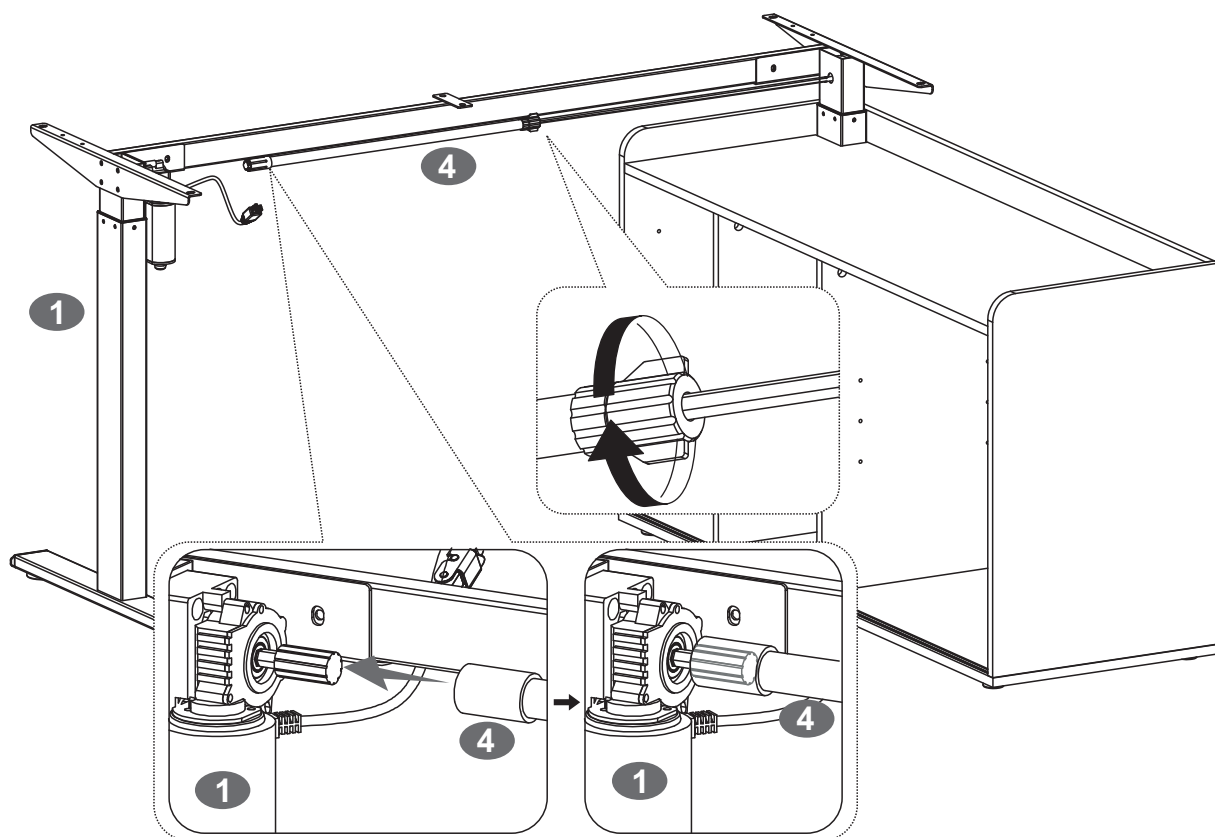
13.



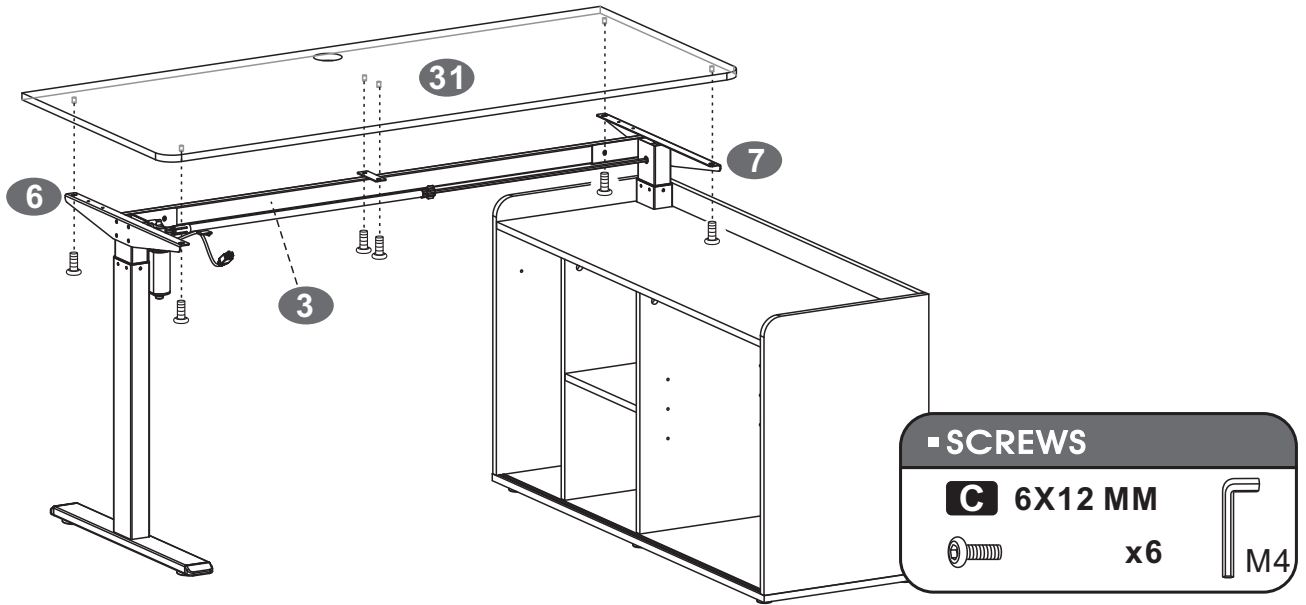
14.



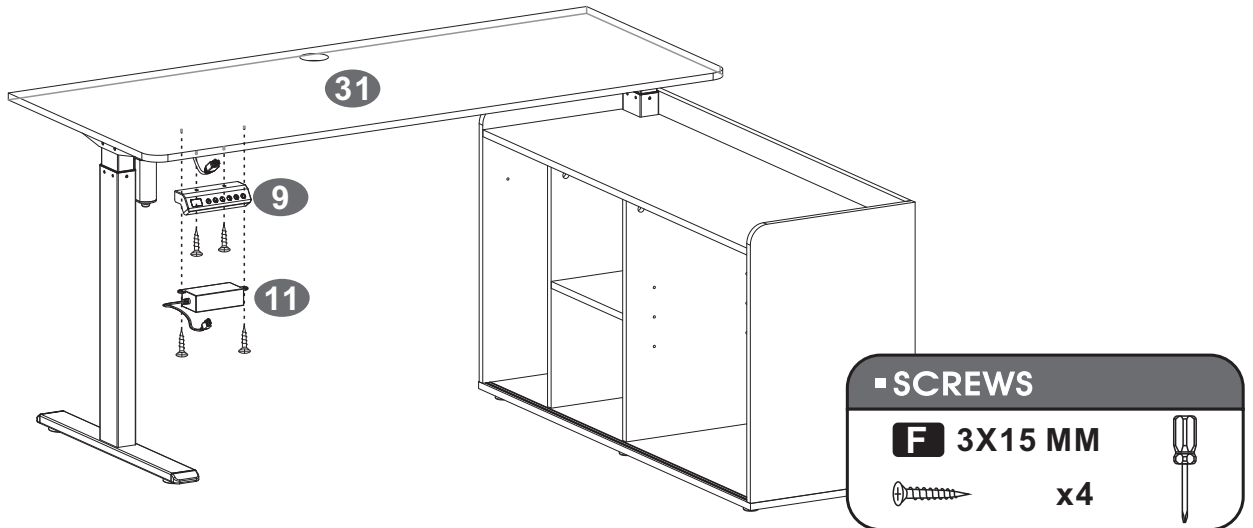
15.



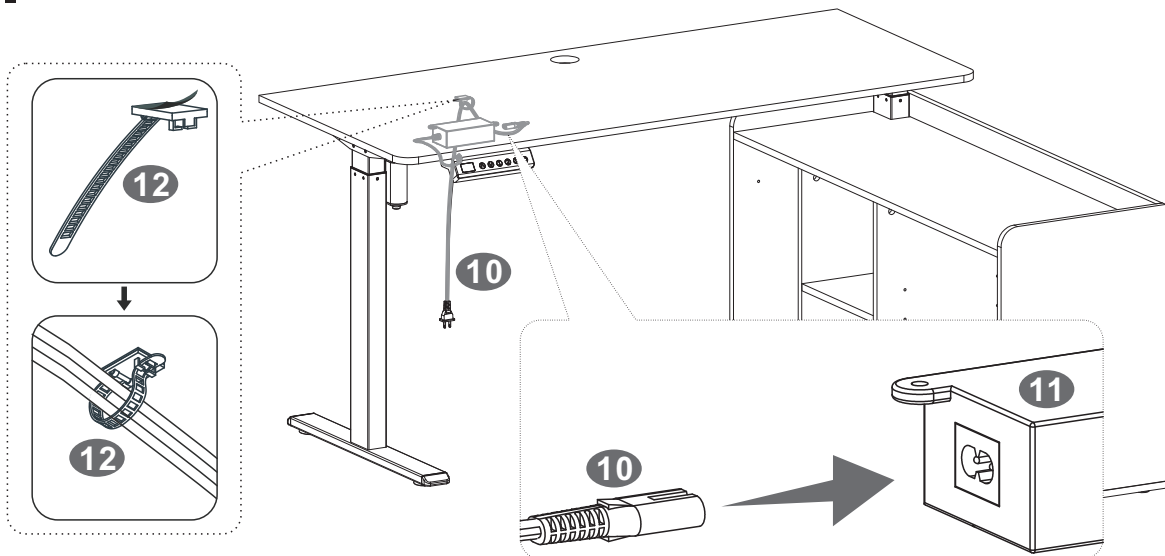
16.



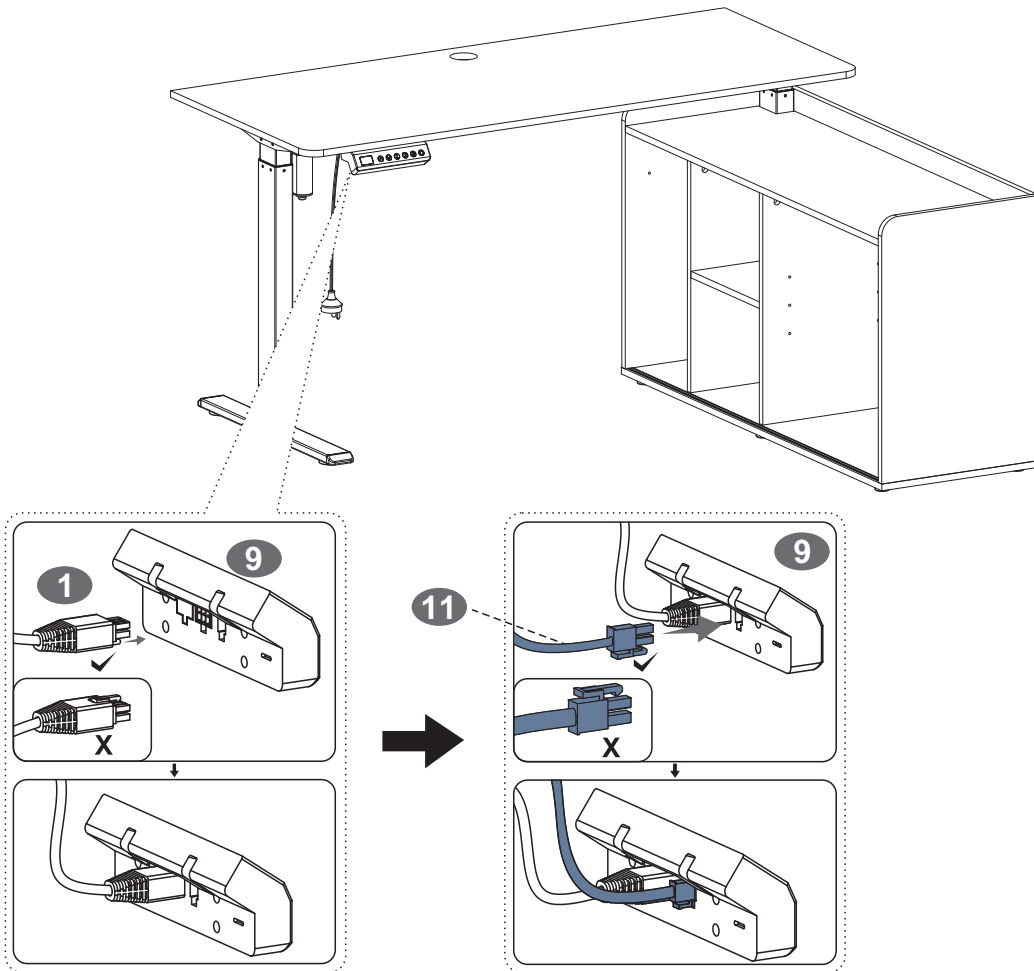
17.



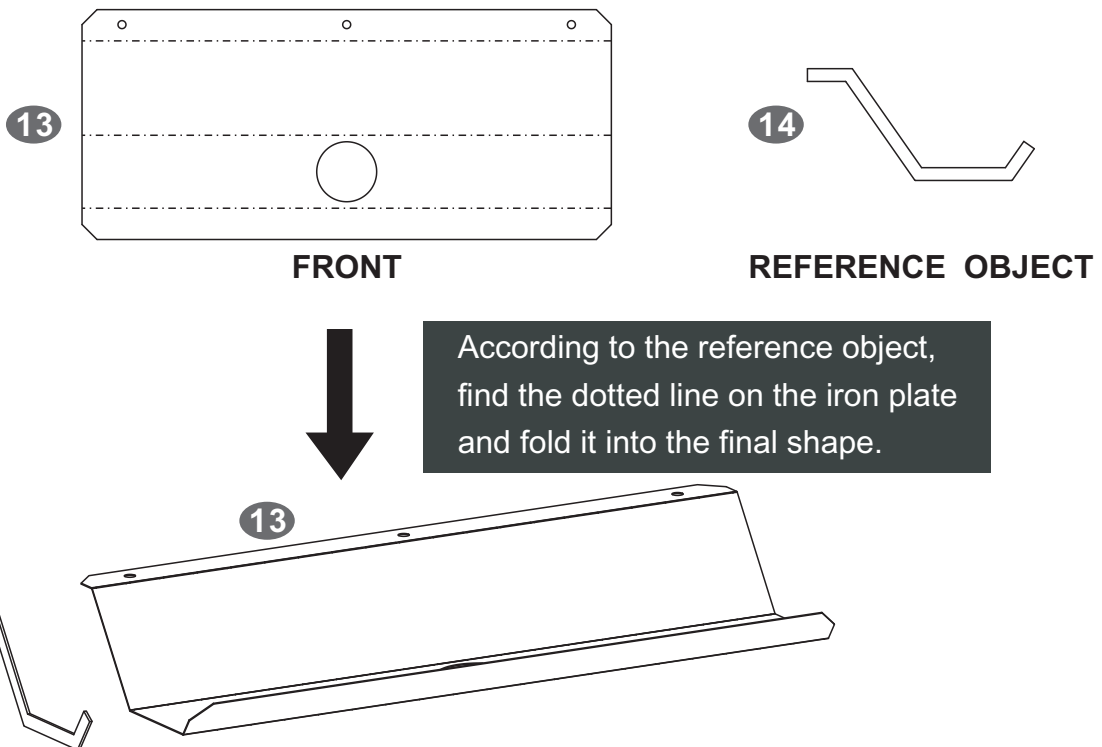
18.



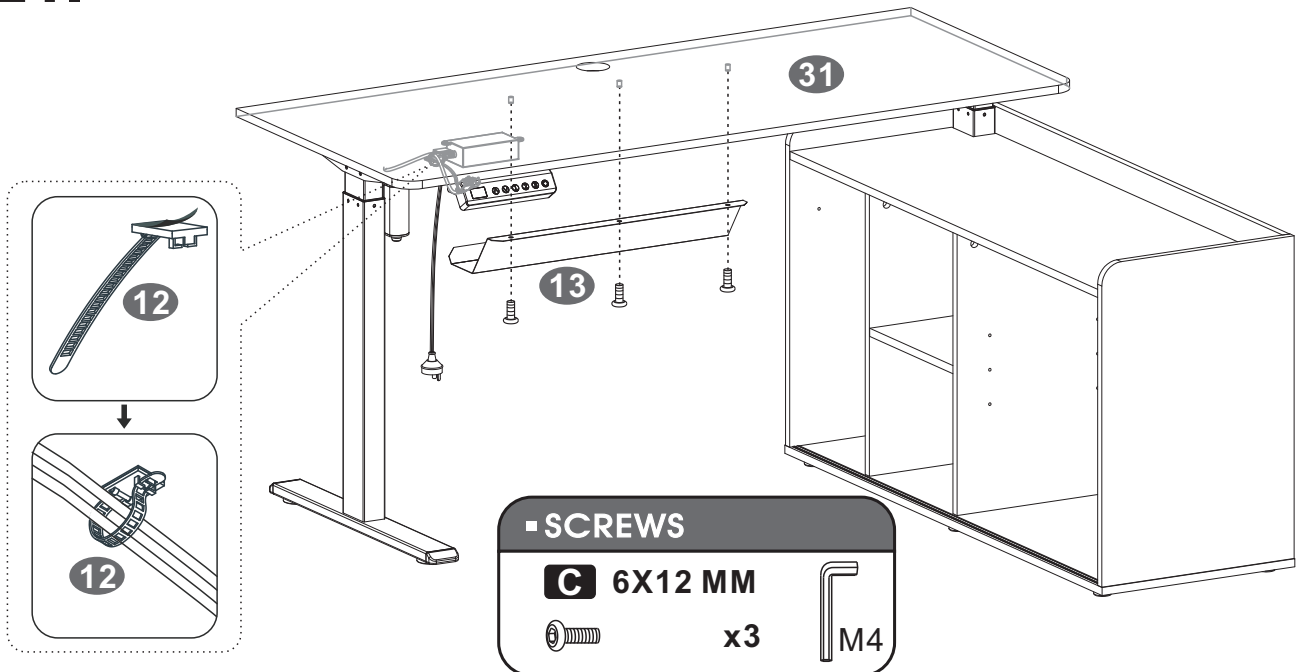
19.



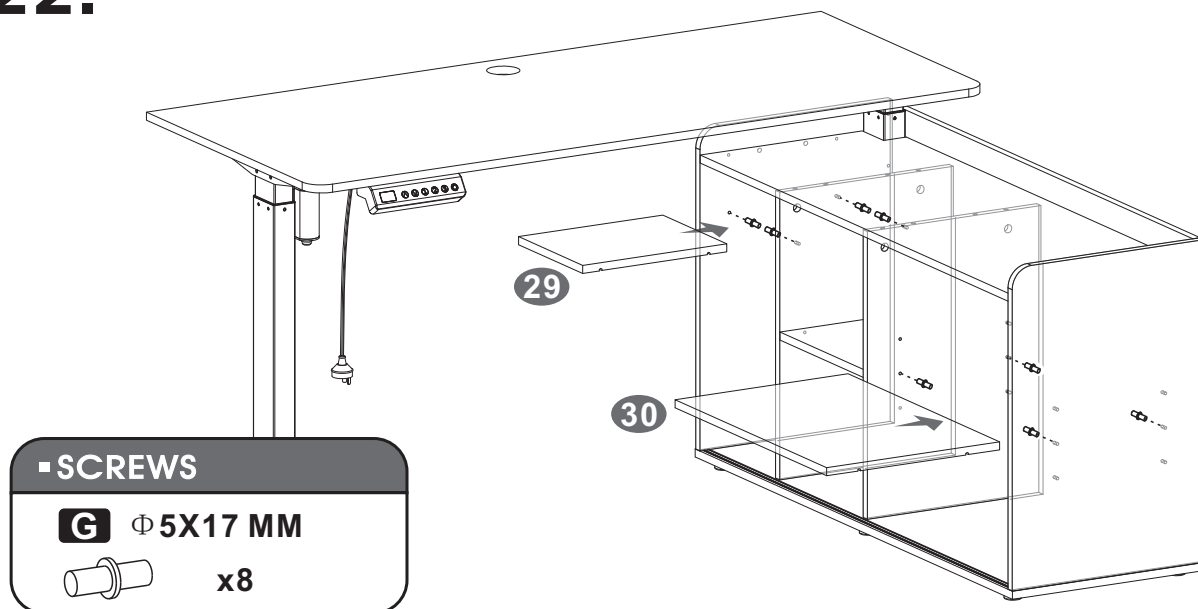
20.



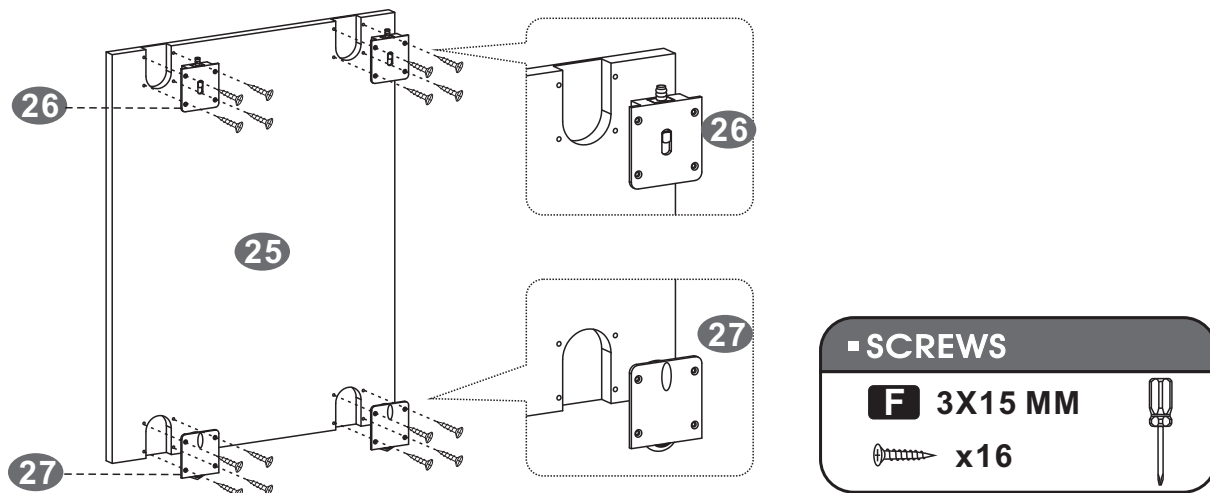
21.



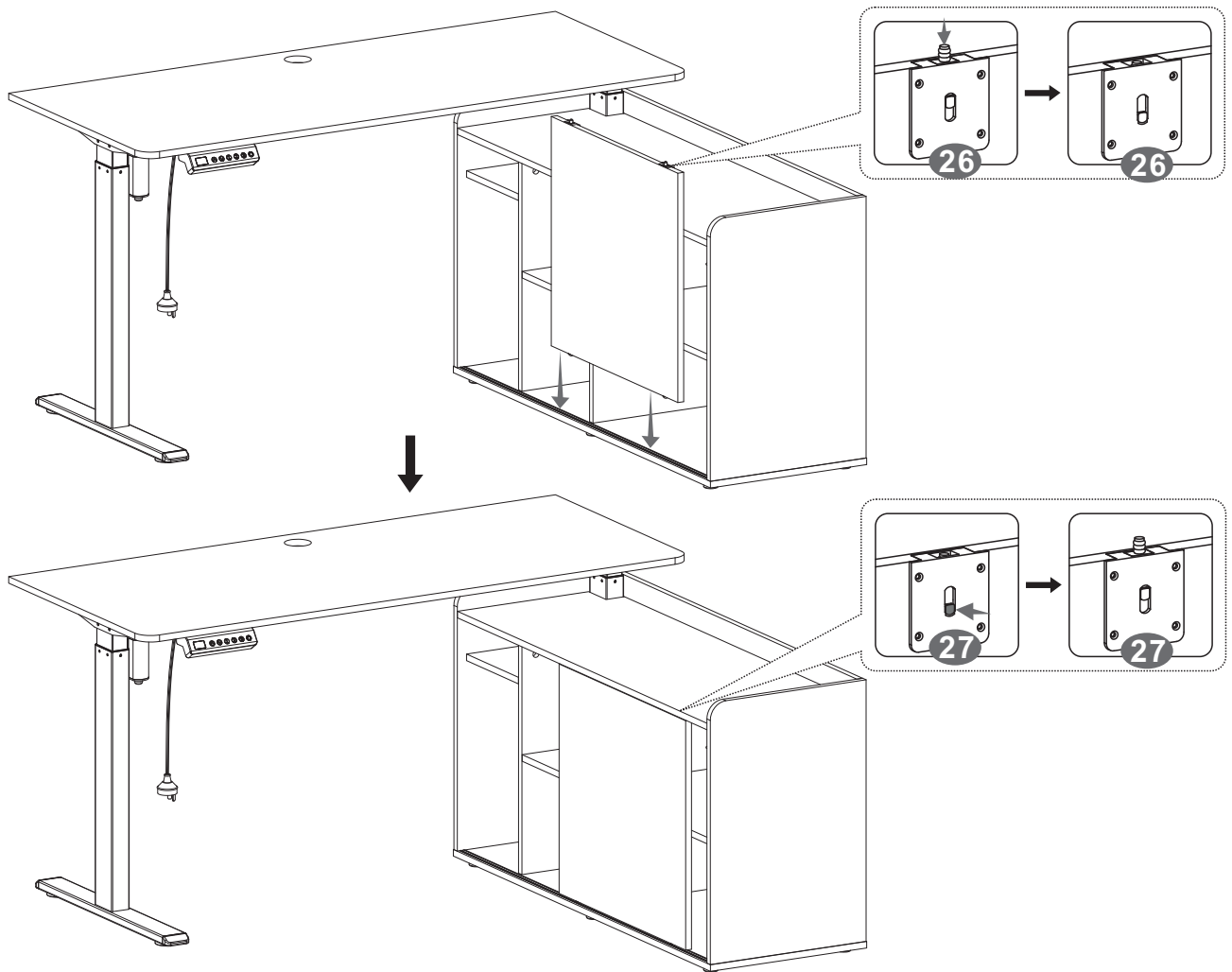
22.



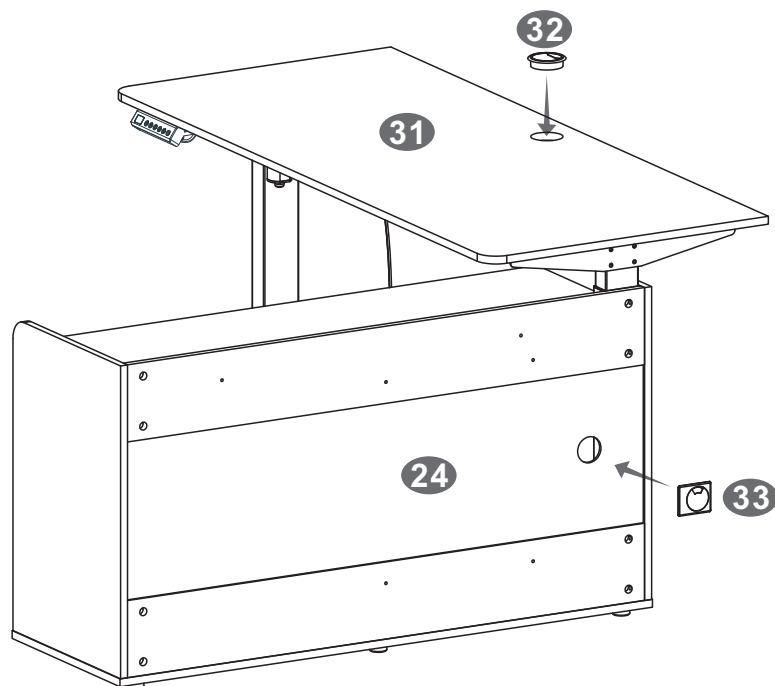
23.

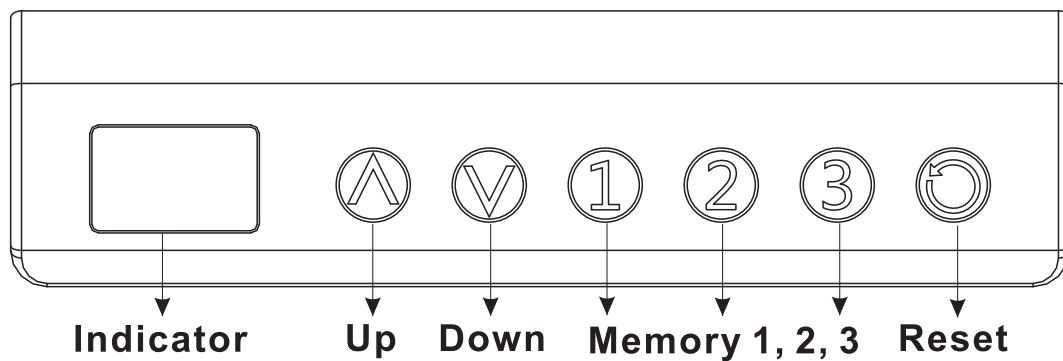


24.



25.





Important: After the desk is assembled and before use, please reset lifting base of it.

1. Press "▲" button for 3s to raise the desktop to a certain height.
2. Press "●" button for 3s and wait for the Handset indicator to flash " - - - ", then release it, the desktop will automatically run down and look up for the lowest position. After that, the desktop will automatically run up to a fixed position, reset process ends.

Up/Down Operation

- ◆ Press and hold "▲" button, the desktop will run upwards till reaches its highest position
- ◆ Press and hold "▼" button, the desktop will run downwards till reaches its lowest position
- ◆ Use "▲" and "▼" button to run desktop to your desired height
- ◆ Press "▲" or "▼" button for a short time, the desktop will run a small distance accordingly to realize so called point to point movement.

Memory Height Setting

- ◆ Press "▲" or "▼" button to run desktop to a desired height, press and hold "1" button until the digital number flashes, the "1" height is successfully saved
- ◆ Repeat above process to set the "2" and "3" memory positions

Memory Height Operation

- ◆ Press "1", "2" or "3" button, the indicator flashes the memory height for 2S, desktop will automatically run to the set height.
- ◆ During the running process, press any key can stop the operation

Overheat Protection

- ◆ The motor operates for 3 minutes and then rests for 18 minutes