

Wavy Desk

Read first, enjoy forever

Assembly tips

- Assemble your product on a level surface and lay something soft underneath to protect potential floor damage.
- Don't over tighten screws. During assembly we recommend tightening to approximately 70% tightness. Only tighten hardware 100% when fully assembled.
- Keep children away from assembly area as bags and small parts can pose a choking hazard.
- Make sure you have enough space to layout parts before starting. We recommend assembling your item in its final location.
- Do not stand on or put weight on the parts as it may warp or damage product.
- We do not recommend the use of drills or power tools (unless specified) as it may damage the product or hardware. Use hand held screwdrivers only.
- It is best that two people assemble the product as some products may be too heavy for one person. Check this booklet for guidance.

Safety, care and maintenance

- To reduce the risk of injury, always secure storage furniture to walls and/or floors by using tip-over restraints.
- Never let children climb or hang on drawers, doors or shelves.
- To protect your product and your home, we recommend using coasters, placemats, rugs and other protective items.
- Screws may loosen over time. We recommend setting a reminder to tighten up every six months.
- Remove any liquid spills immediately using a clean cloth with mild detergent. Do not use bleach or abrasive cleaners. Always test any cleaning agent in an inconspicuous spot first to know if it is suitable.

Recycling

We hope that you love your product forever, but we know situations change. In the event that you wish to dispose of your product please consider some creative ways to give it a new home:

- If it's still in great shape, sell it on your favourite online marketplace!
- Give it a second life by affording it a fresh coat of paint.
- If you must dispose of it, why not donate it to your local charity or shelter for someone else to enjoy.

Please dispose of this product and packaging responsibly and recycle where possible. Scan the QR code to read more about Temple and Webster's commitment to a more sustainable future.



Important safety instructions

DANGER!

Children have died from furniture tip over.

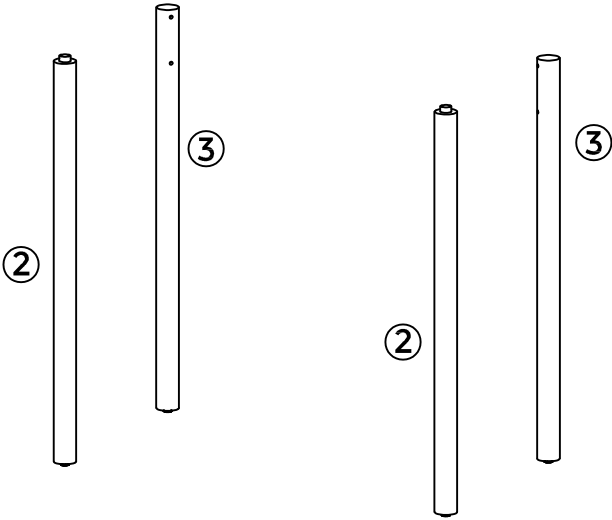
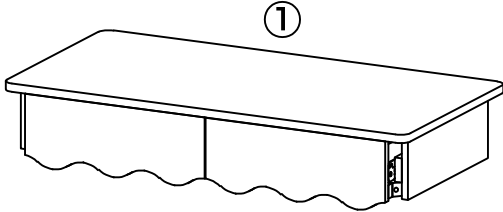
Toppling Hazard Warning

- ALWAYS secure this furniture with an anchor device
- For safety reasons, we recommend you follow the provided instructions
- When installed properly, the provided hardware may prevent the unit from tipping over unexpectedly.
- Never let children climb or hang on drawers, doors or shelves.
- NEVER open more than one drawer at a time
- Place heavy items down low
- NEVER place a television on this furniture
- For advice on suitable fastening devices, contact your local specialized dealer



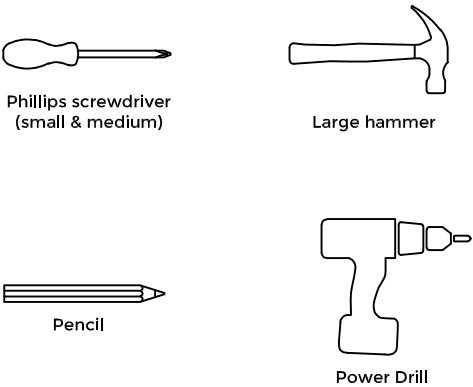
ASSEMBLY INSTRUCTIONS
Wavy Desk
VIWVYDWT
VIWVYDBL

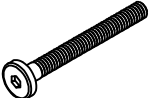





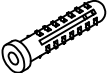


Parts List



NUMBER OF PEOPLE REQUIRED FOR ASSEMBLY:
2

TOOLS REQUIRED FOR ASSEMBLY



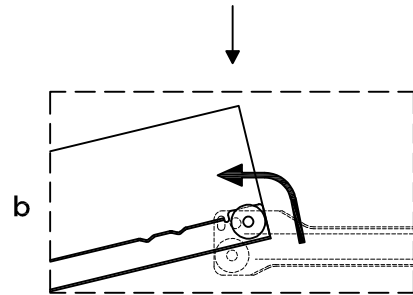
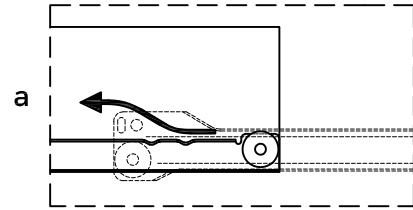
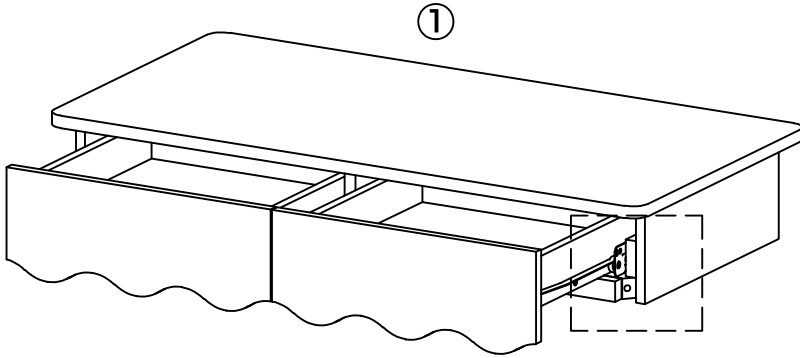
<p>A</p>  <p>6pcs</p>	<p>B</p>  <p>6pcs</p>	<p>C</p>  <p>6pcs</p>	<p>D</p>  <p>1pc</p>	<p>E</p>  <p>1pc</p>
<p>F</p>  <p>1pc</p>	<p>G</p>  <p>1pc</p>	<p>H</p>  <p>1pc</p>	<p>I</p>  <p>2pcs</p>	



Damaged or missing parts? Or just need help?
 Contact us on service@templeandwebster.com.au

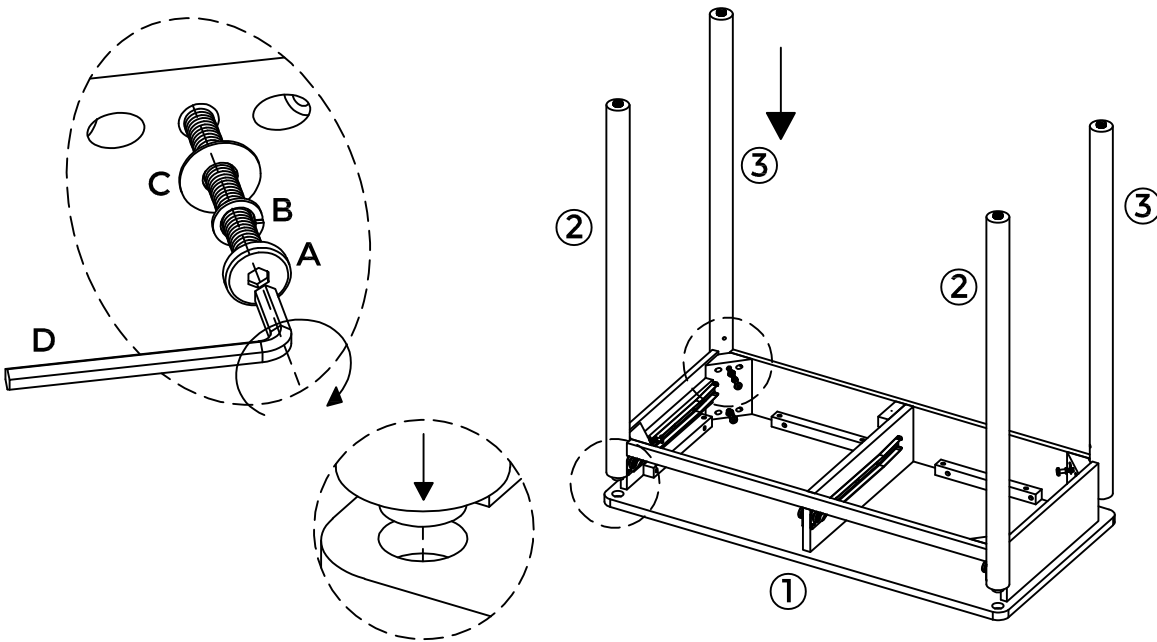
1.

Move Drawer inside to outside.



2.

Attach Leg (2)/(3) to Top Frame (1) by using Bolts (A) with Spring Washer (B) and Flat Washer (C) then fastening all Bolts securely using Allen Key (D).



You will need:



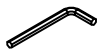
6 Bolts



6 Spring Washer



6 Flat Washer



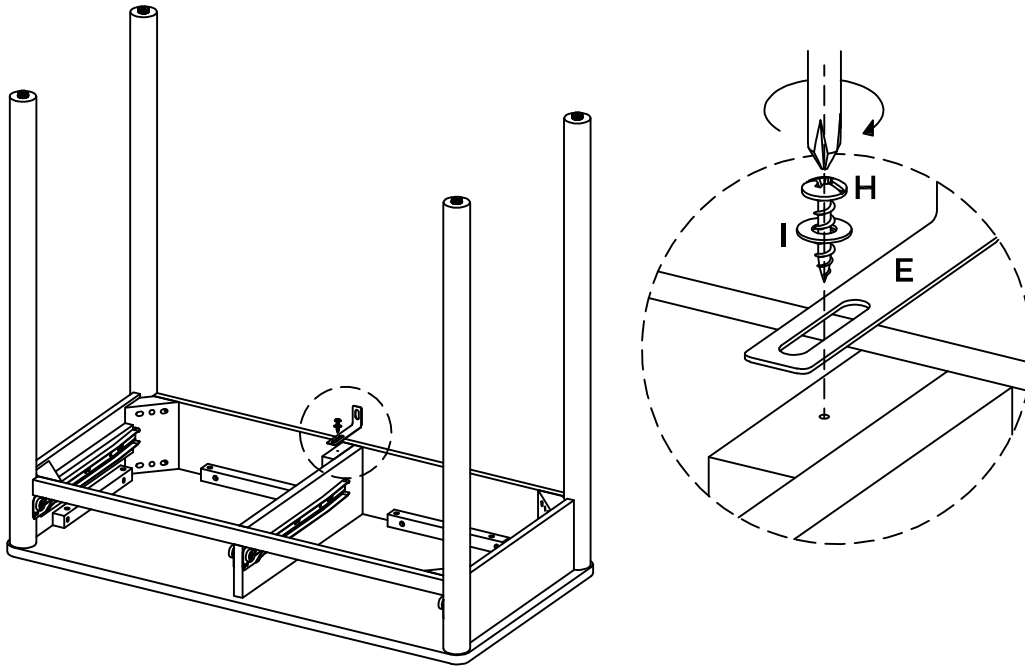
1 Allen Key

**TEMPLE &
WEBSTER**

Damaged or missing parts? Or just need help?
Contact us on service@templeandwebster.com.au

3.

Secure the Bracket (E) to the underside of the Top frame (1) by using Screw(H) and Flat washer (I), then fastening all Screw securely using Phillips head screwdriver.



You will need:



1 Bracket



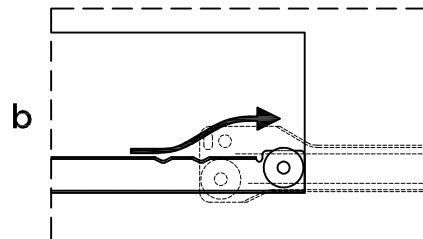
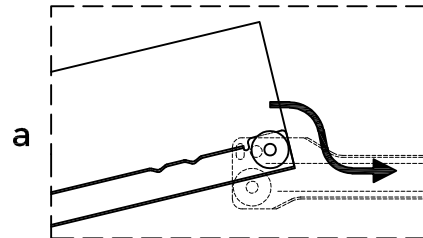
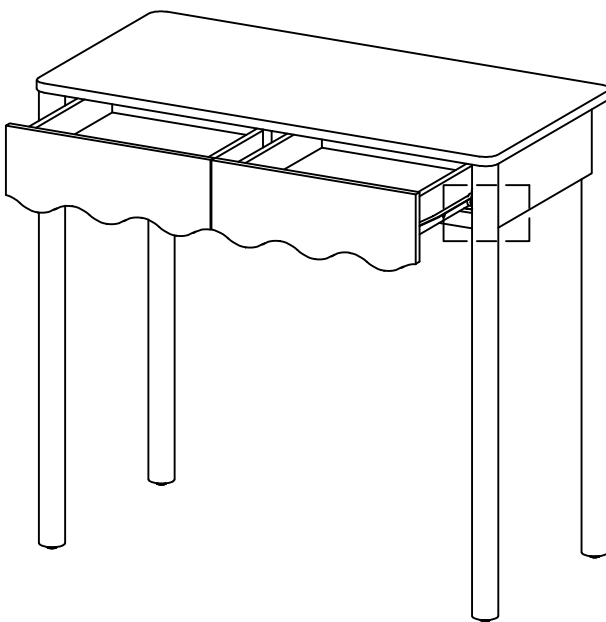
1 Flat Washer



1 Phillips head screwdriver

4.

Insert the drawer back into its original position.

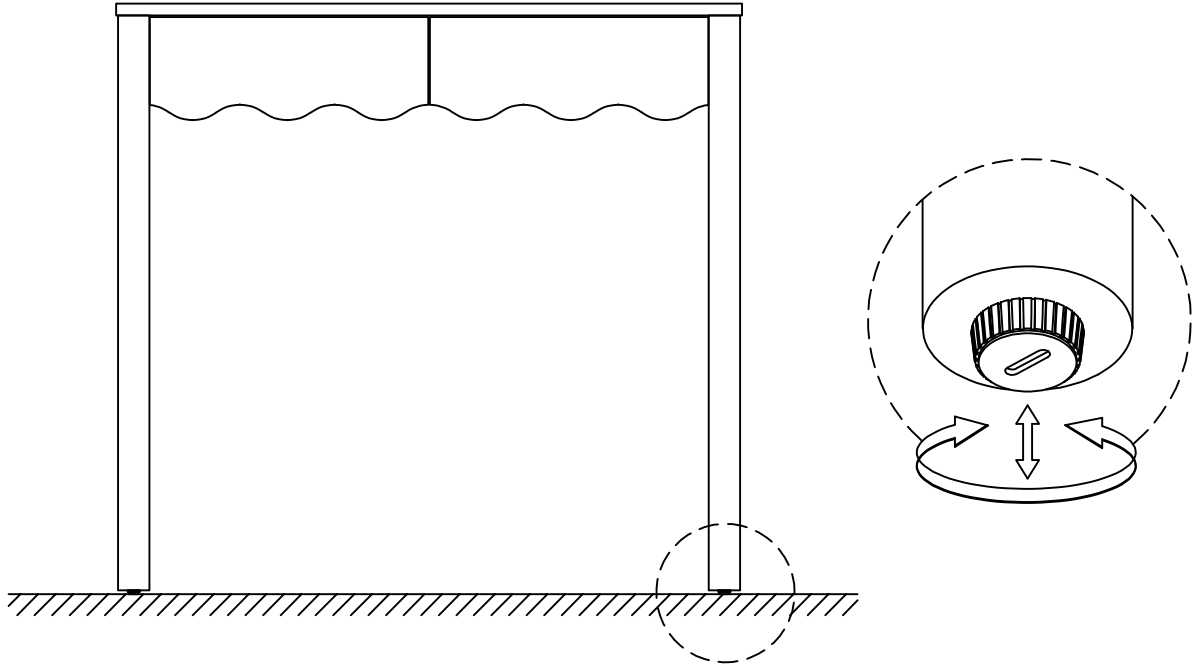


**TEMPLE &
WEBSTER**

Damaged or missing parts? Or just need help?
Contact us on service@templeandwebster.com.au

5.

Please use adjustable feet for uneven floor.




6.

1. With help, move Console Table into position.
 2. Mark fixing hole on wall and remove Console Table.
 3. Drill 6mm hole and insert Rawl plug (G).
- ⚠ Before drilling, check wall for hidden pipes and cables.
4. Reposition Console Table and fix wall bracket using Screw (F) with Flat washer (I).

You will need:


1 Rawl Plug


1 Pencil


1 Screw


1 Large hammer


1 Flat Washer


1 Power Drill


1 Phillips head screwdriver

