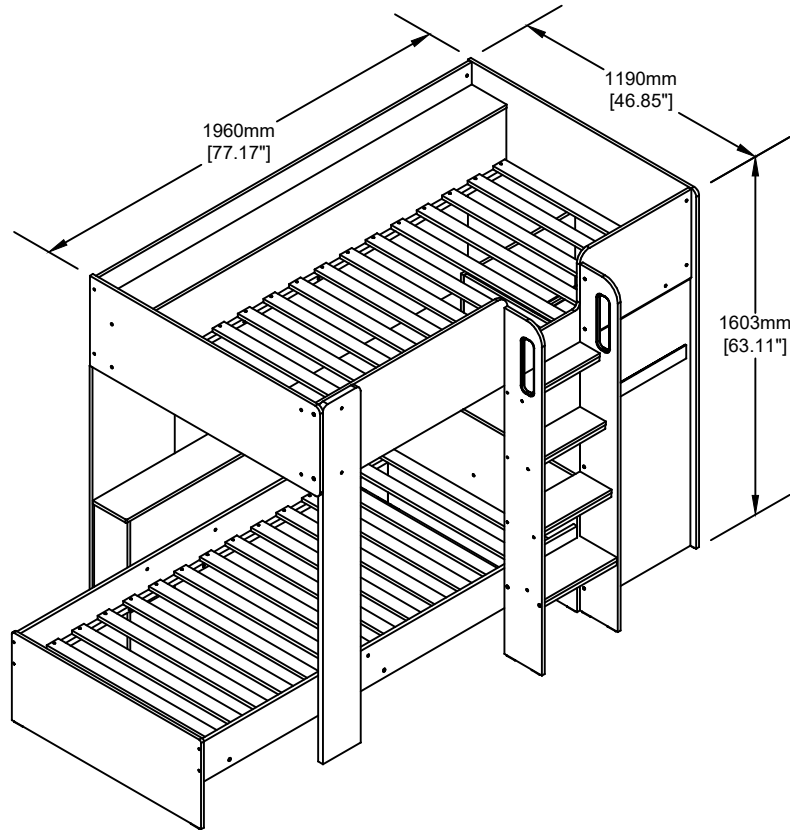


Model : IQ 7943

Product Size : 940mm x 1930mm (Base Int Size)

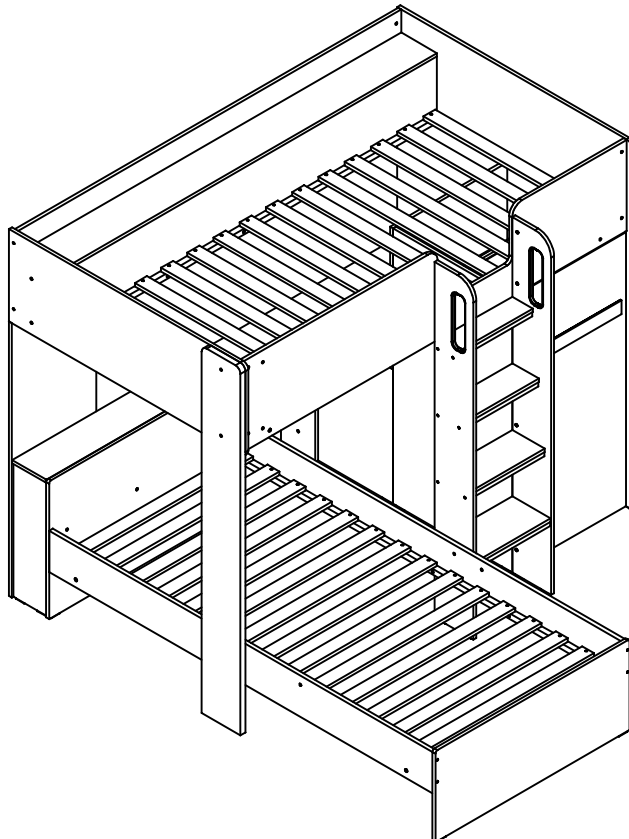
Thank you for purchasing this product. Before starting assembly we suggest you spend a short time reading through this leaflet, then follow the simple step by step guide. Two people are needed to assemble this product.

OPTION A



Page : 1 of 30

OPTION B



Page : 1 of 27
Page : 31 of 33

Page : 1 of 33

Model : IQ 7943

Product Size : 940mm x 1930mm (Base Int Size)

TOP TIPS BEFORE YOU START !

IMPORTANT- READ CAREFULLY- RETAIN FOR FUTURE REFERENCE

1. Please check that all parts & hardware are present before you start the assembly of your furniture.
2. For ease and speed of assembly, we recommend that before you commence each step of the assembly, Please identify all the parts required for that step.
3. We recommend that where possible, all items are assembled near to the area in which they will be placed in use, to Avoid moving the product unnecessarily once assembled.
4. For the protection of your furniture, particularly items of high gloss finish, we recommend that the product is placed on a Protected surface during assembly to prevent any damage.
6. During assembly please take care not to over-tighten any fittings, as this may damage the product.

CARE AND MAINTENANCE OF YOUR FURNITURE

- Please periodically check all fittings and re-tighten as necessary.
- To clean your item, please use a damp cloth and wipe clean.
- Never allow any kind of liquid to remain on your furniture. Absorption can cause wood to warp or finishes to de-laminate.
- Please do not place hot items (e.g hot drinks) directly on the wood surface.
- Please do not drag or pull your furniture.

IMPORTANT INFORMATION

1. Thickness of mattress should not exceed 182mm.
2. Children should be discouraged from playing on top of this bunk bed.
3. The bunk bed should be checked periodically by the owner to ensure that the guardrail, ladder, and other components are maintained in the correct position and state of repair and that all connectors are tight.
4. A bunk bed is not to be placed near a ceiling fan unless the distance between the closest points on the ceiling fan bunk Bed is at least 2 metres.
5. Use guardrails on both sides of upper bunk.
6. Prohibit horseplay on or under bed(s).
7. Prohibit more than one person on upper bunk.
8. Use Ladder for entering and leaving upper bunk.
9. If the bunk bed will be placed next to the wall, the guardrail that runs the full length of the bed should be placed against The wall to prevent entrapment between the bed and the wall.

STRANGULATION HAZARD:

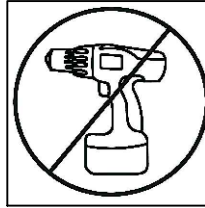
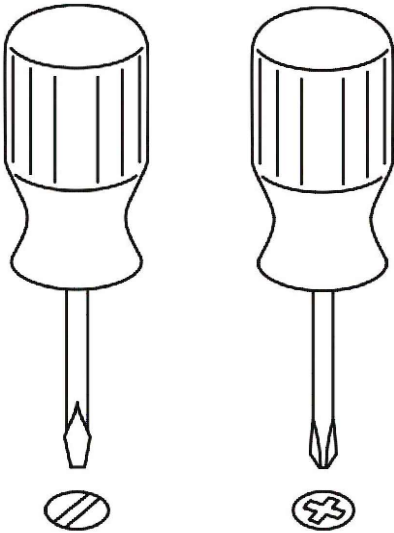
10. Never attach or hang items to any part of the bunk bed that are not designed for use with the bed for example, but not limited to hook, belt and jump ropes.

Guide To Assembly

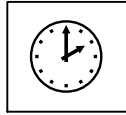
Model : IQ 7943

Tools Required For Assembly

Phillips Screw Driver



DO NOT USE POWER TOOLS TO ASSEMBLE THIS PRODUCT. USE OF POWER TOOLS WILL INVALIDATE ANY CLAIM AND MAY DAMAGE THIS PRODUCT MAKING IT UNSAFE.

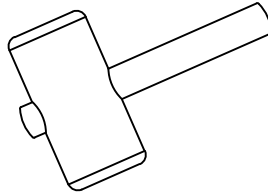


Approximately 2 hour 30 min

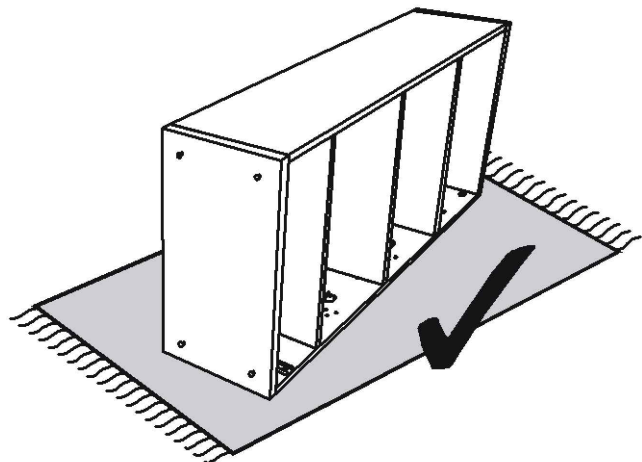
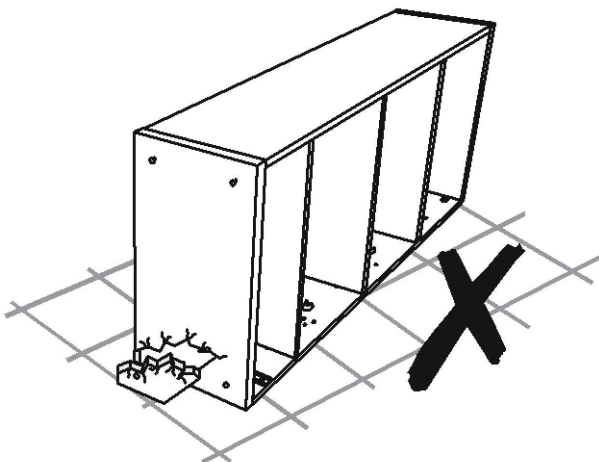
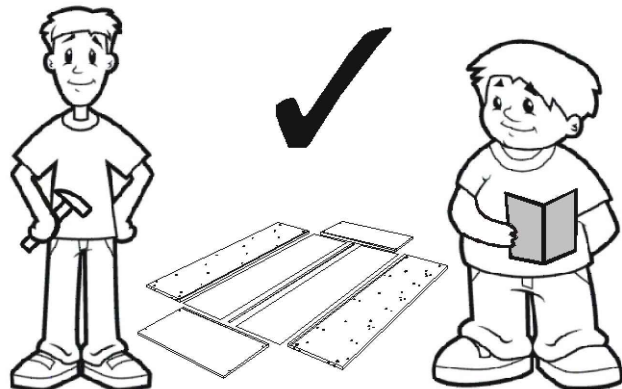
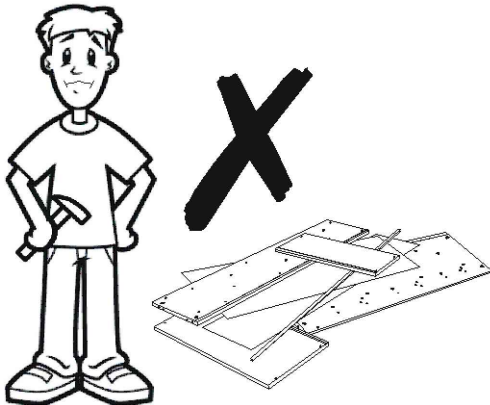
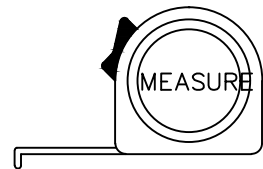


2 People Required

Rubber Hammer



Tape Measure



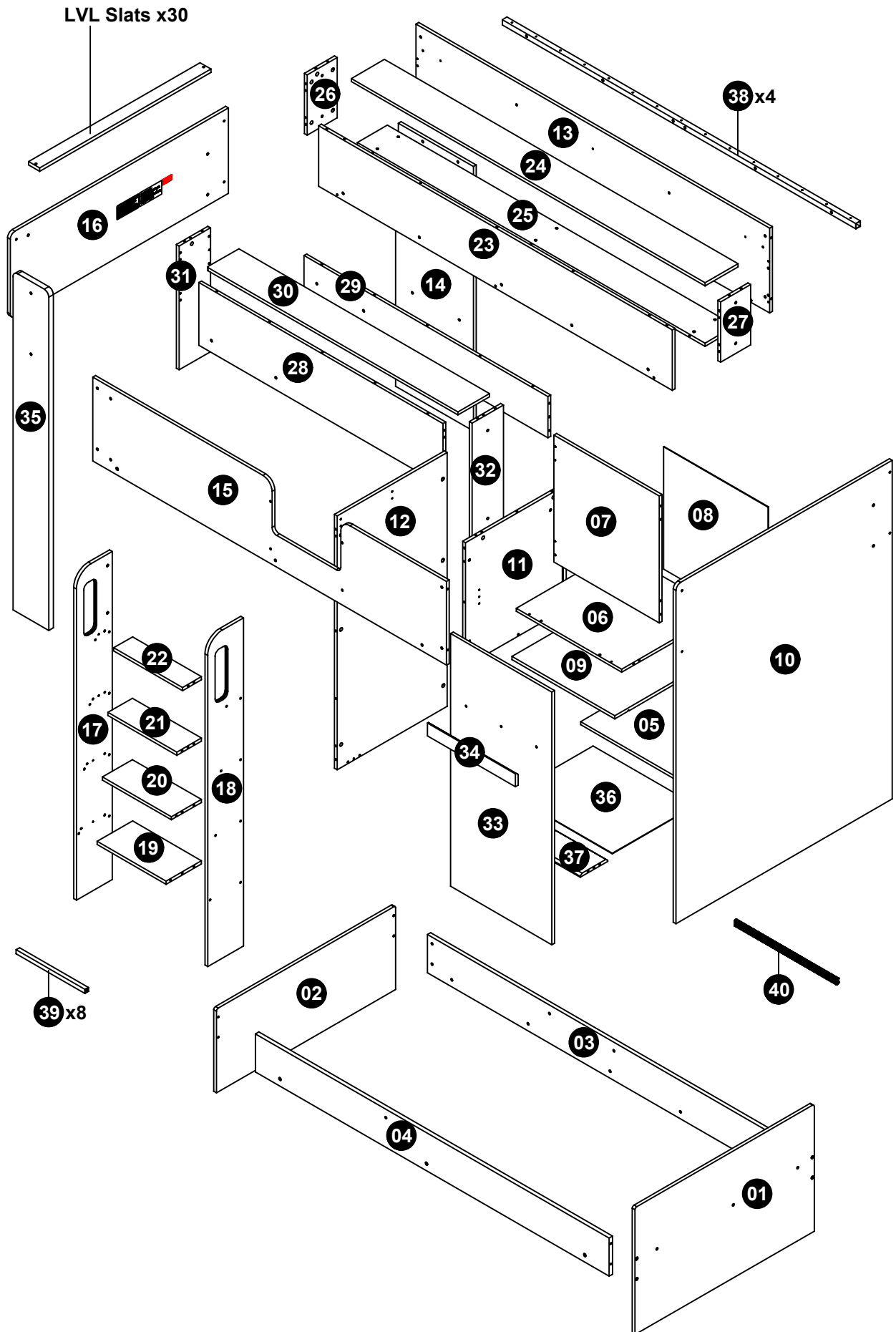
Part List

Model : IQ 7943

Carton 1 of 5			Carton 3 of 5		
No.	Part Name	Pcs	No.	Part Name	Pcs
01	Headboard	1	05	Bottom Panel (Wardrobe)	1
02	Footboard	1	06	Top Panel (Wardrobe)	1
08	Back Panel (Wardrobe)	1	07	Front Panel (Wardrobe)	1
12	Left Panel (Front)	1	09	Movable Panel (Wardrobe)	1
14	Back Panel (Left)	1	10	Right End Panel	1
33	Door Panel (Wardrobe)	1	11	Left Panel (Back)	1
36	Base Panel (Wardrobe)	1			
Assembly Instructions + Fitting List			Carton 4 of 5		
			16	Left End Panel	1
			17	Left Panel (Ladder)	1
			18	Right Panel (Ladder)	1
			19	1st Step Panel (Ladder)	1
			20	2nd Step Panel (Ladder)	1
			21	3rd Step Panel (Ladder)	1
			22	4th Step Panel (Ladder)	1
			26	Left Panel (Shelf)	1
			27	Right Panel (Shelf)	1
			28	Front Panel (Desk)	1
			29	Back Panel (Desk)	1
			30	Top Panel (Desk)	1
			31	Left Panel (Desk)	1
			32	Right Panel (Desk)	1
			37	Base Support Panel (Wardrobe)	1
			Carton 5 of 5		
			15	Side Panel (Front)	1
			35	Left Panel	1
				LVL Slats	30
Carton 2 of 5					
03	Side Panel (Left)	1			
04	Side Panel (Right)	1			
13	Back Side Panel (Shelf)	1			
23	Side Panel (Back)	1			
24	Top Panel (Shelf)	1			
25	Bottom Panel (Shelf)	1			
34	Wood Handle	1			
38	Side Rail	4			
39	Ladder Support Rail	8			
40	Hanging Rail (553mm)	1			

Part List

Model : IQ 7943



Fitting List

Model : IQ 7943

Carton 1 of 5

Fitting List

No.	Part Name		Pcs
A	Cam Stud (small)		50
B	Cam		55
C	Contractfic Dowel		5
D	M8 x 25mm Wood Dowel		78
E	45mm Chipboard Screw		5
F	14mm Chipboard Screw		13
G	Metal Shelf Support		4
H	M6 x 70mm Allen Bolt		1
J	M6 x 50mm Allen Bolt		25
K	M6 x 35mm Allen Bolt		38
L	M6 x 30mm Allen Bolt		61
M	M6 x 25mm Allen Bolt		17
N	M6 x 13mm Baller		17
P	M6 Round Nut		14
Q	M6 JCN NUT		24
R	Door Stopper		1
S	PVC Hanging Hook		2
T	M6 Allen Wrench		2
U	Felt Pads (45 x 14mm)		32
V	Sticker 25mm		19
	Sticker 25mm		9
W	Hinges Arm		3 set
X	PVC Back Support		4
Y	22mm Chipboard Screw		4

Caution

There are many small components used in the construction of this unit. These loose items should be kept away from young children whilst assembling your unit. As an extra precaution, screw cover caps should be permanently fixed in position. (Where applicable)

USEFUL HINTS & TIPS

Two people will be required to assemble this unit

Please keep this assembly instruction for future reference

Guide To Assembly

Model : IQ 7943

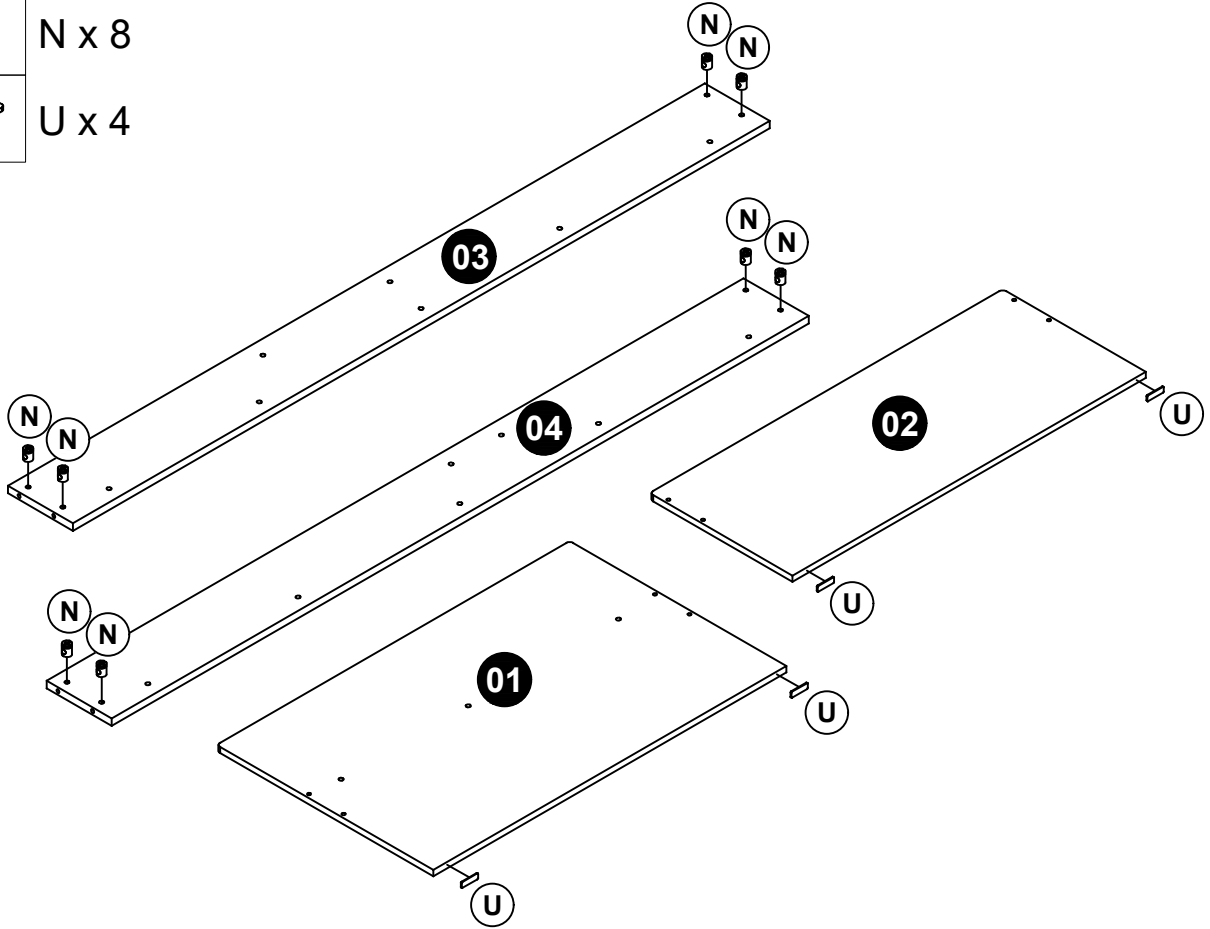
1



N x 8



U x 4



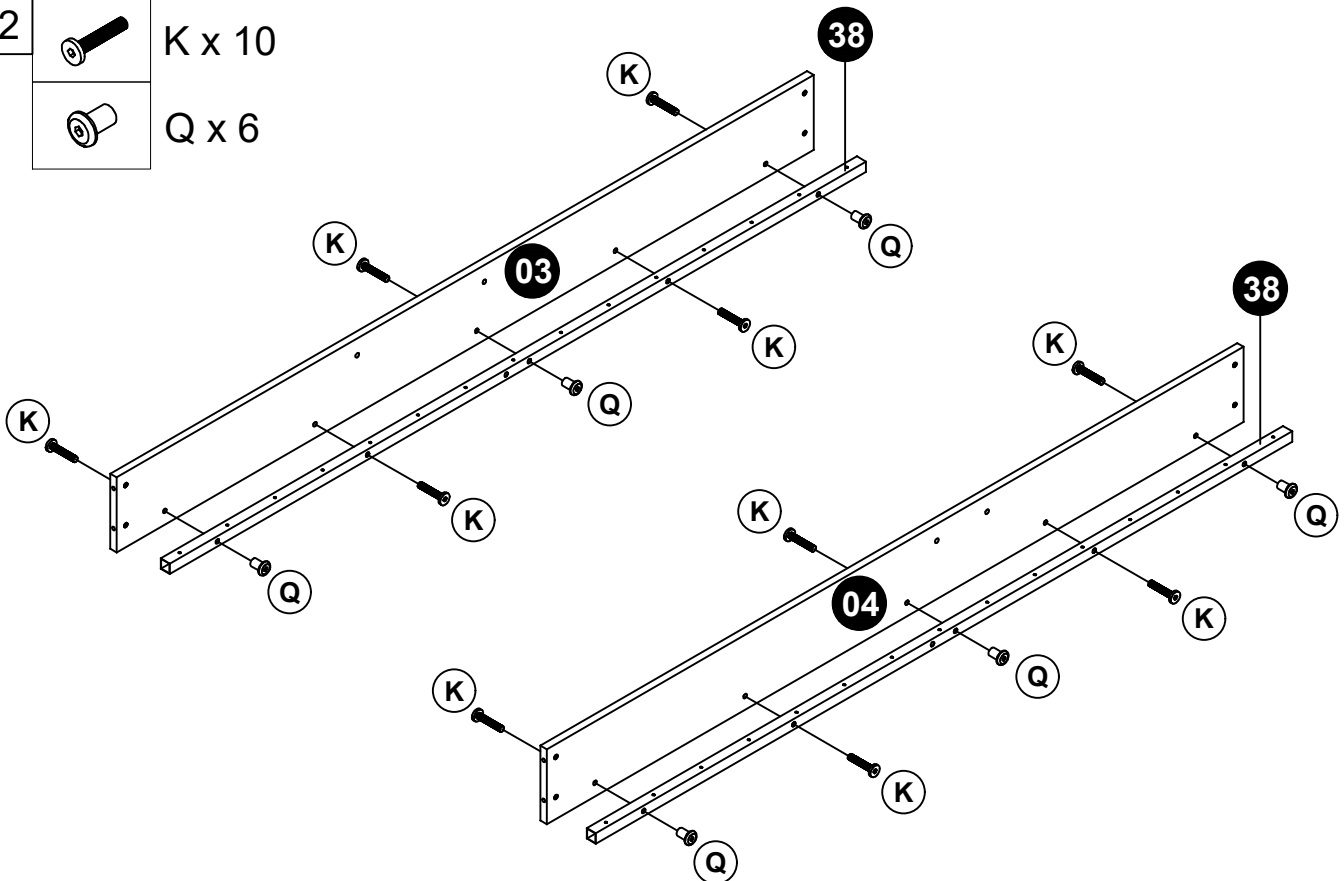
2



K x 10



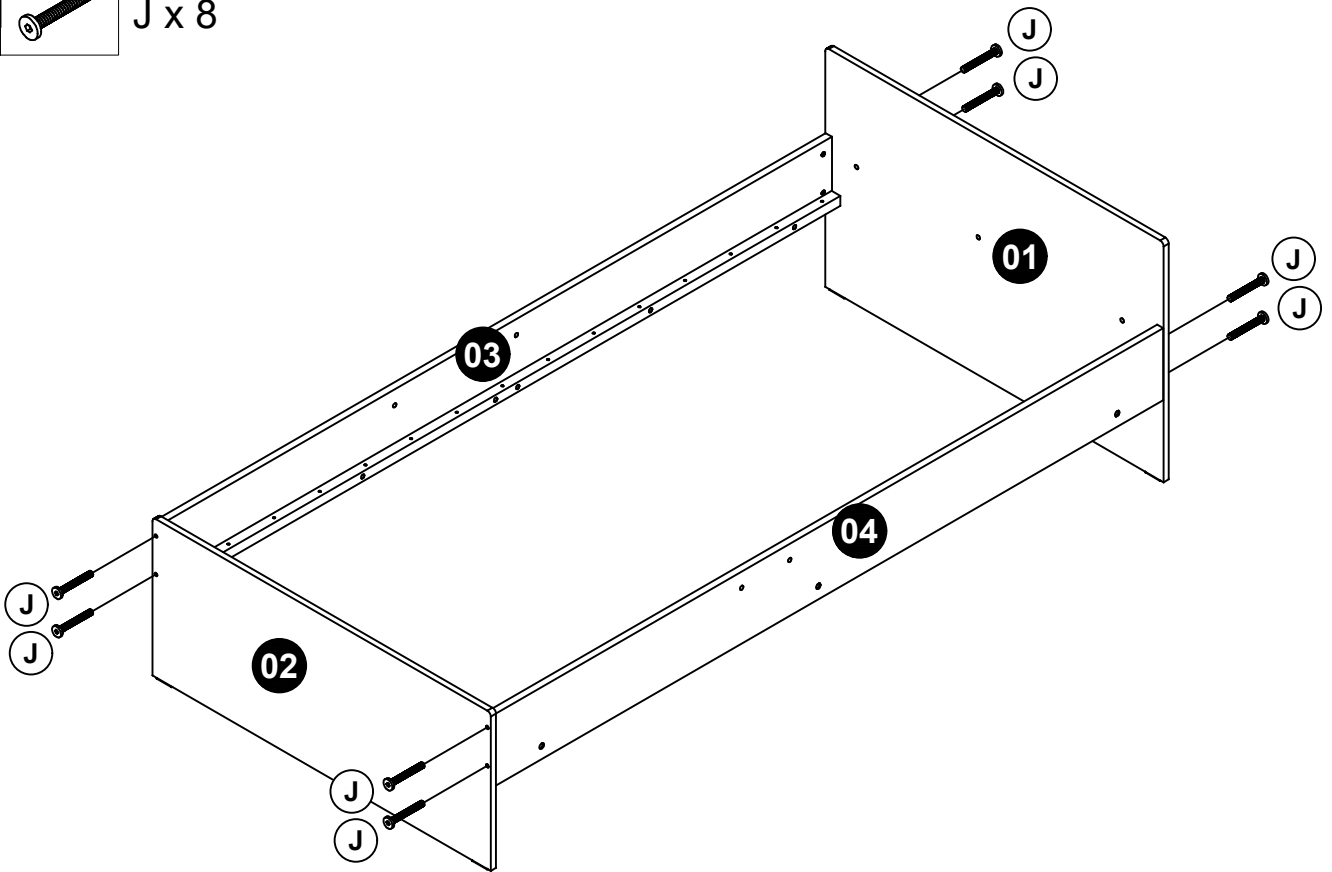
Q x 6



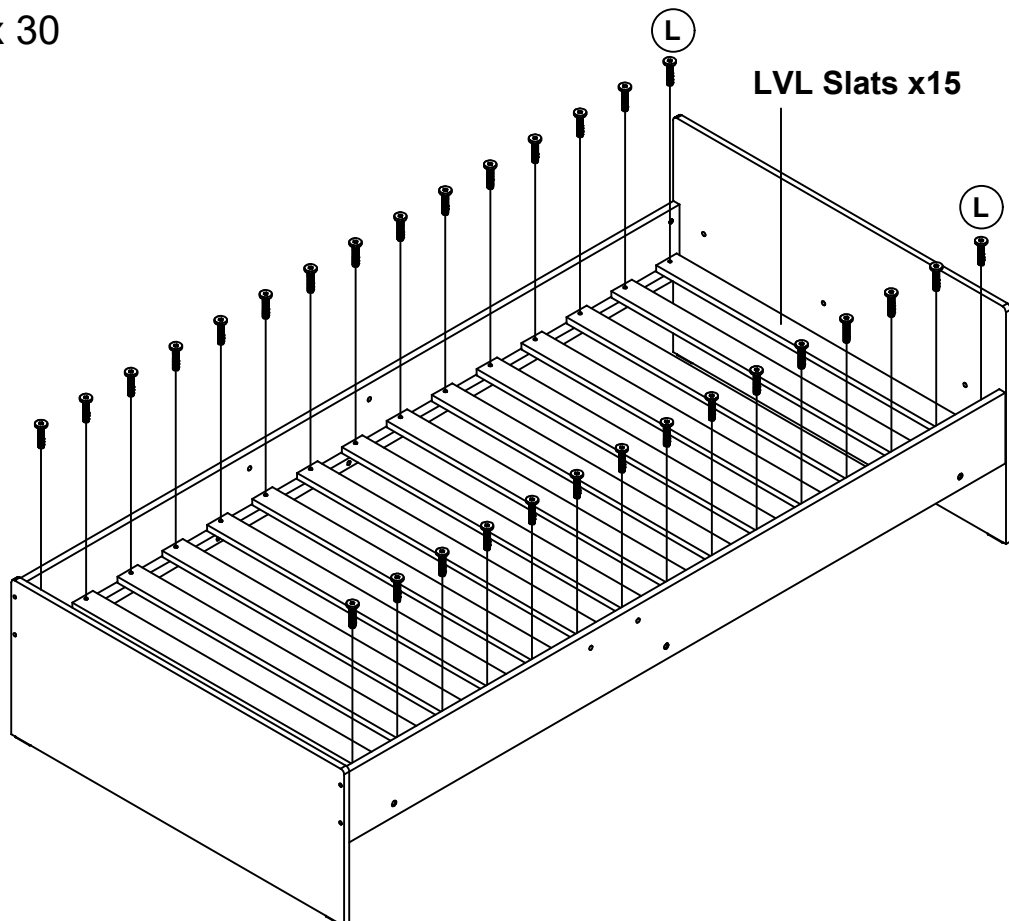
Guide To Assembly

Model : IQ 7943

3  J x 8



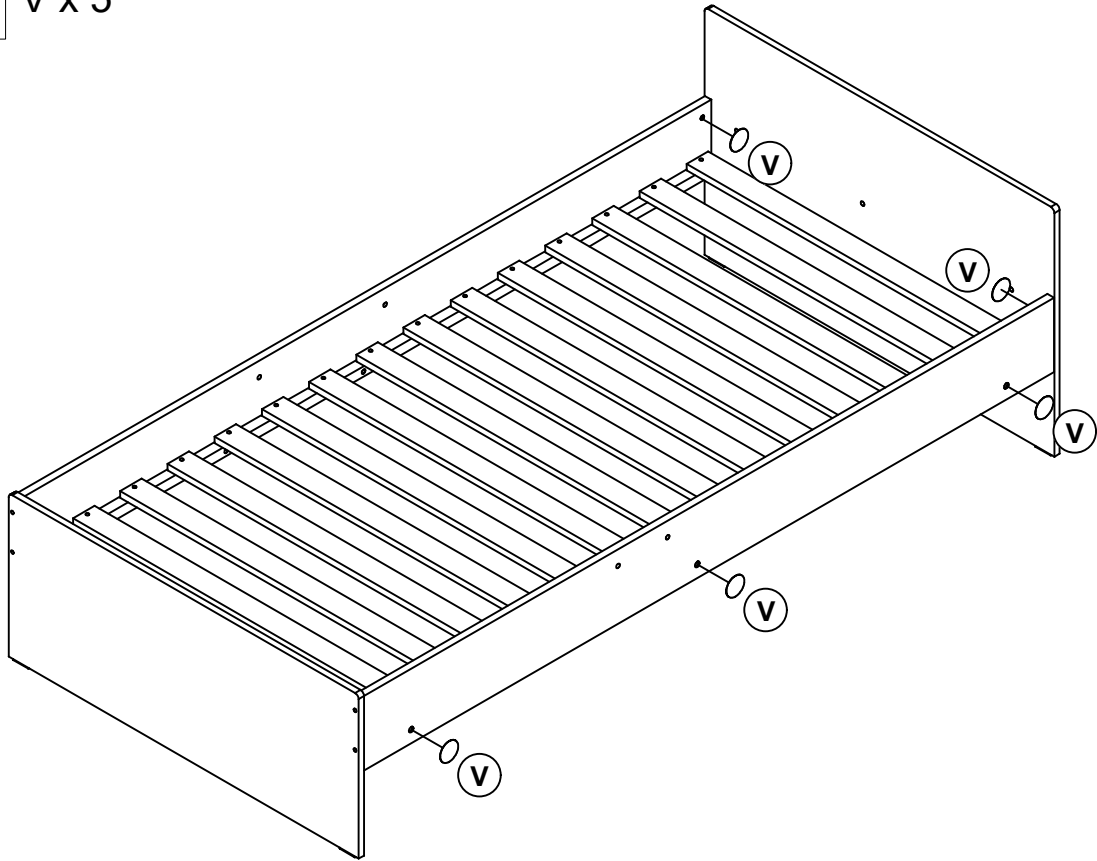
4  L x 30



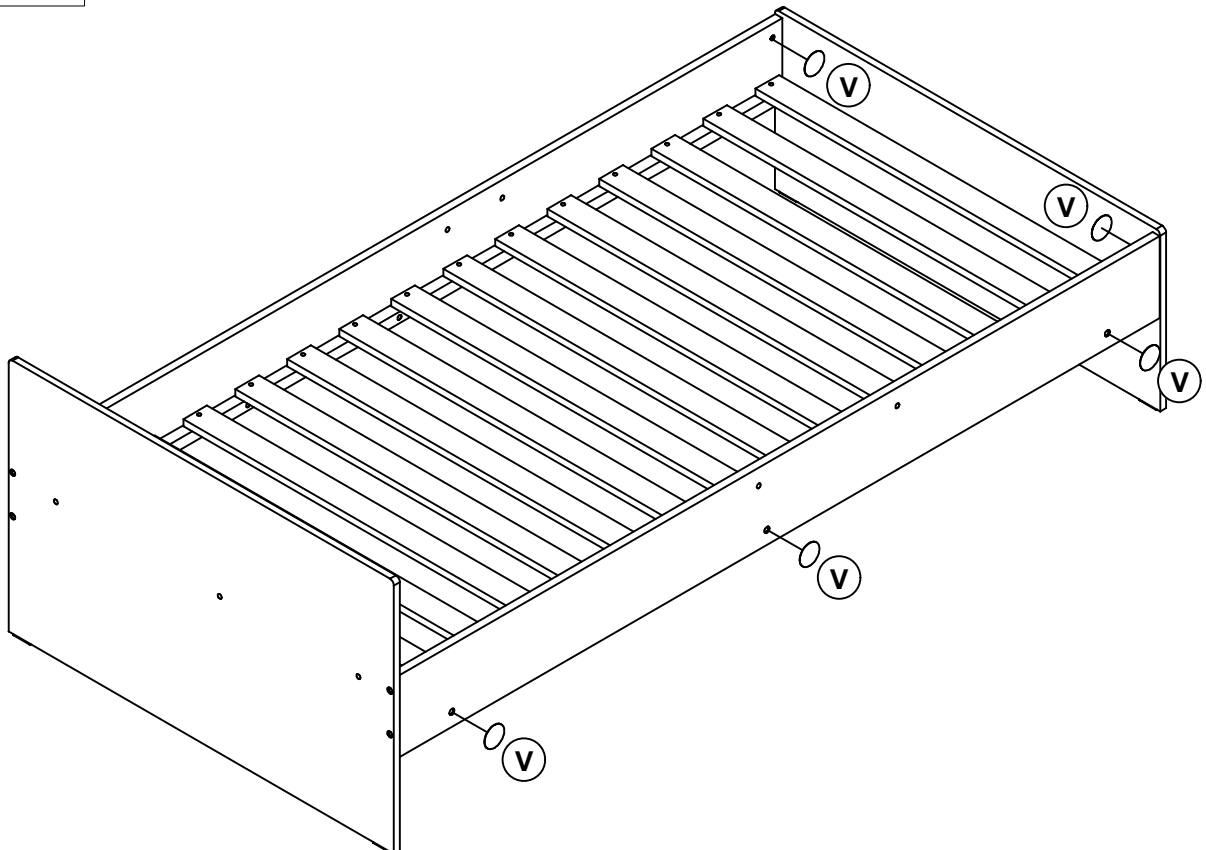
Guide To Assembly

Model : IQ 7943

5 ○ V x 5



6 ○ V x 5

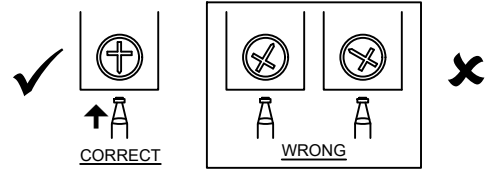


Guide To Assembly

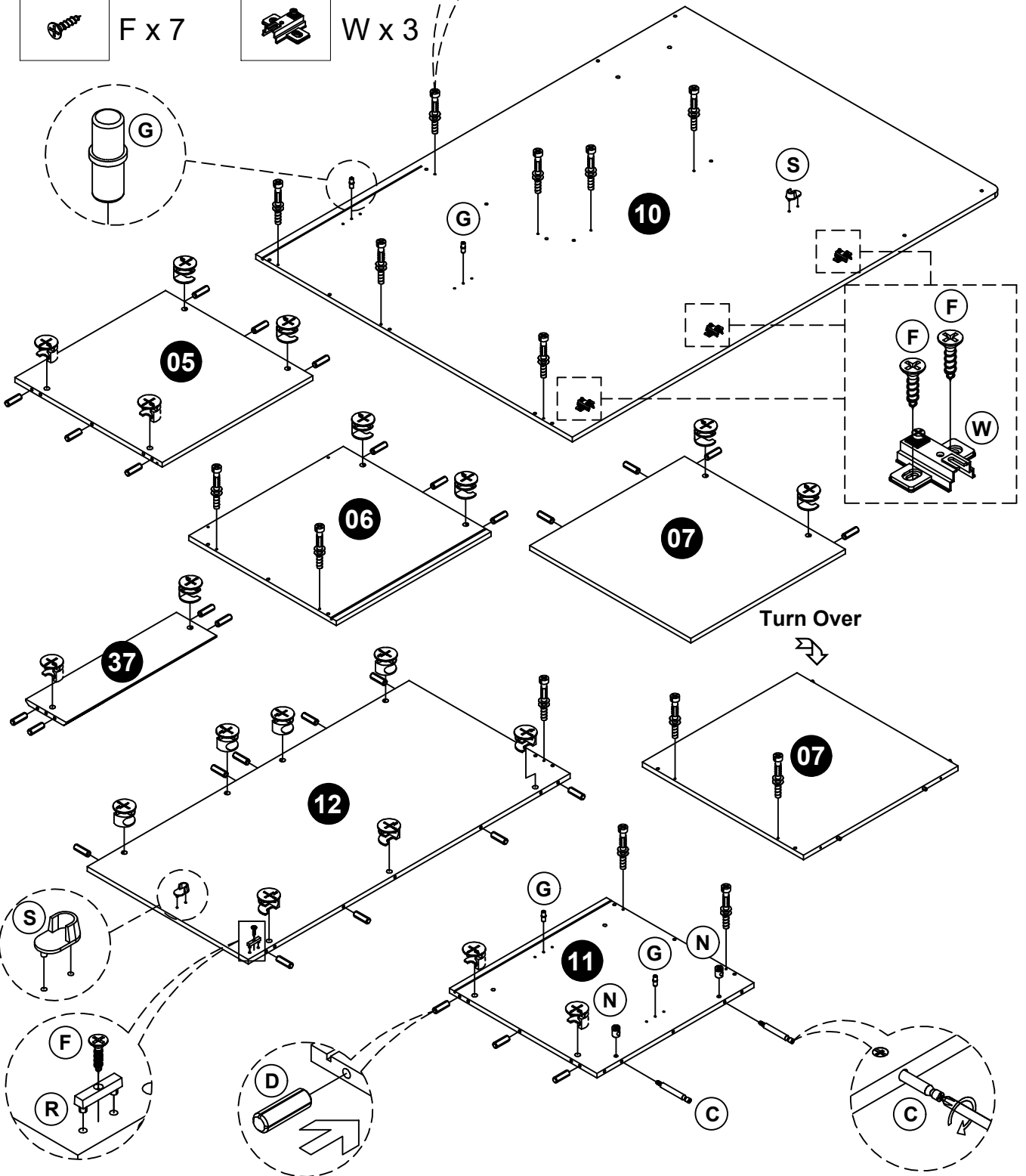
Model : IQ 7943

WHEN FITTING CAMS

ENSURE STARTING POSITION IS CORRECT
BEFORE YOU INSERT CONNECTING BOLT
TURN CLOCKWISE UNTIL SECURE

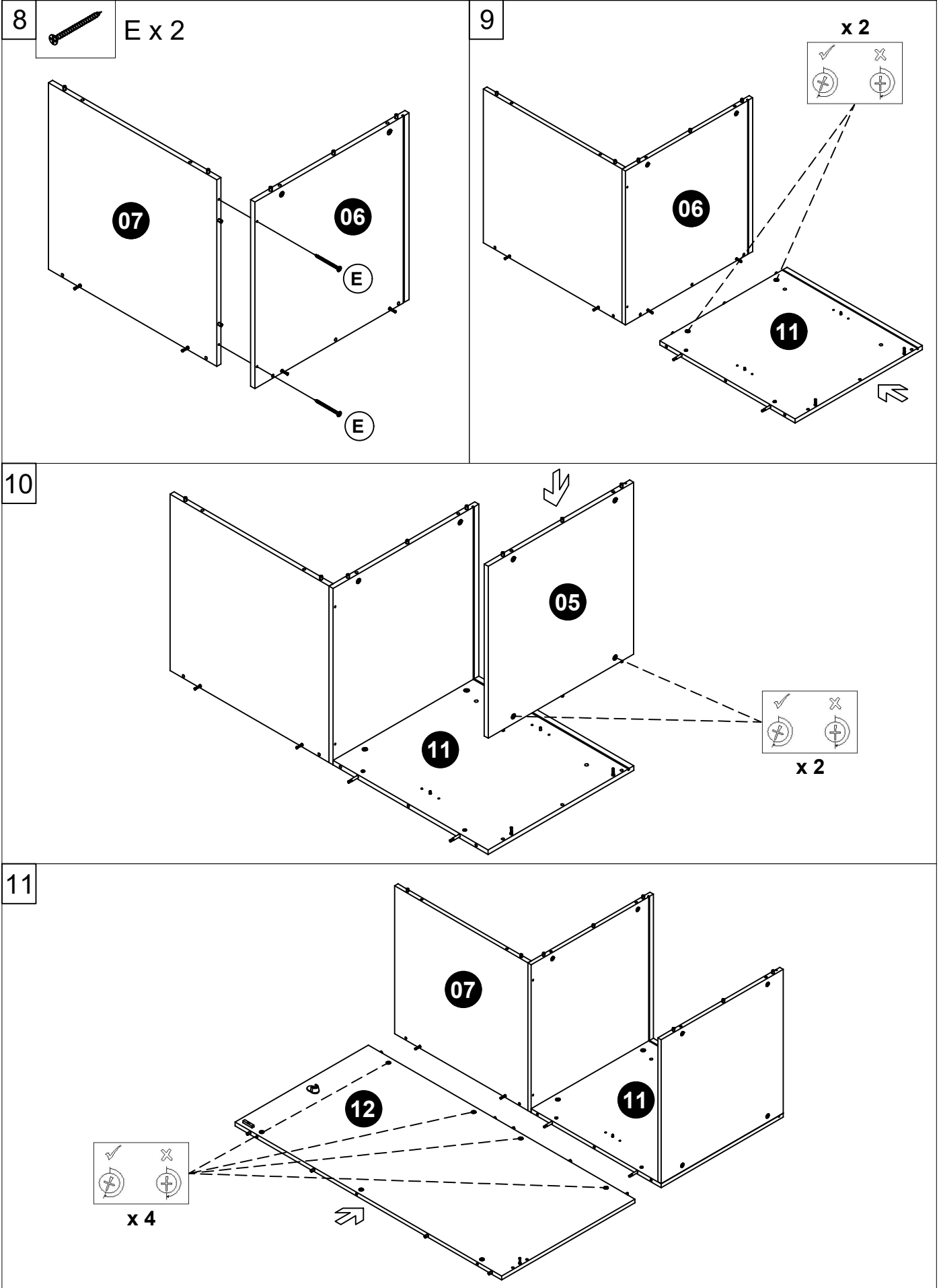


7		A x 14		G x 4
		B x 19		N x 2
		C x 2		R x 1
		D x 29		S x 2
		F x 7		W x 3



Guide To Assembly

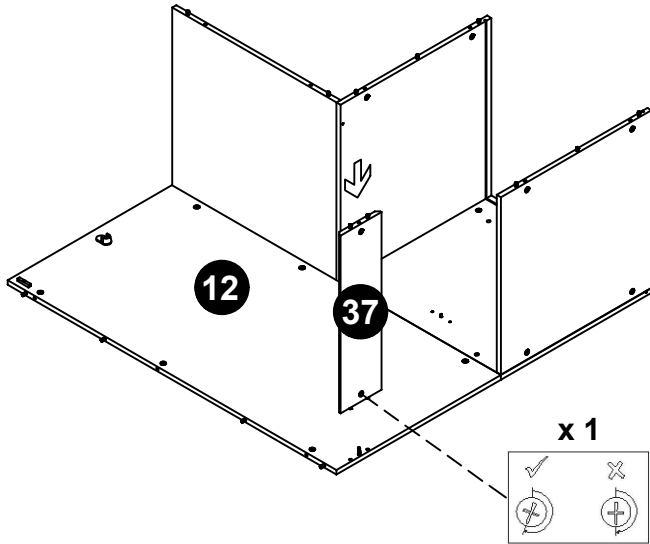
Model : IQ 7943



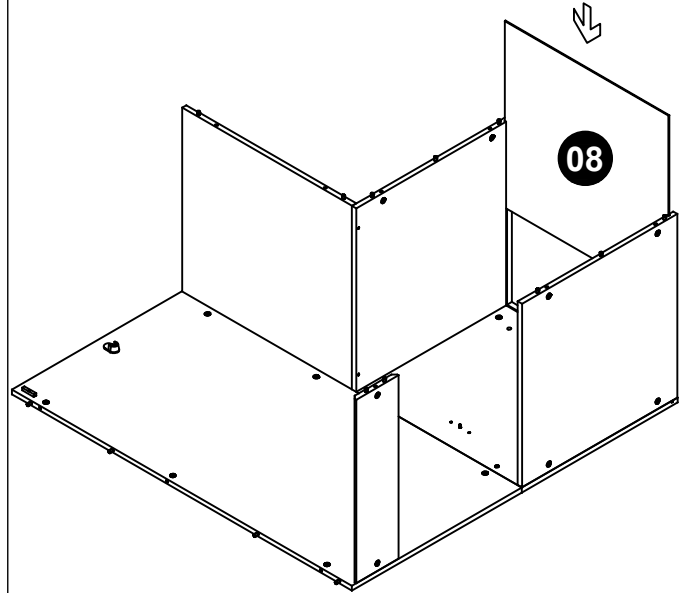
Guide To Assembly

Model : IQ 7943

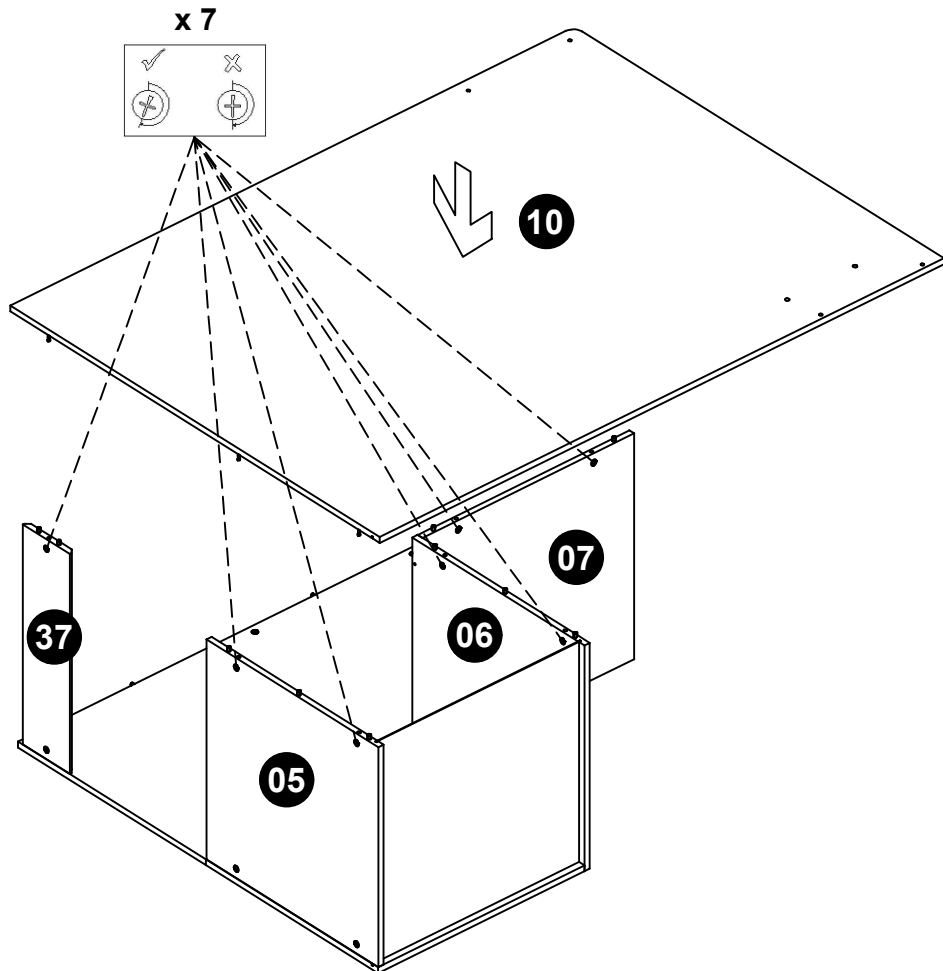
12



13




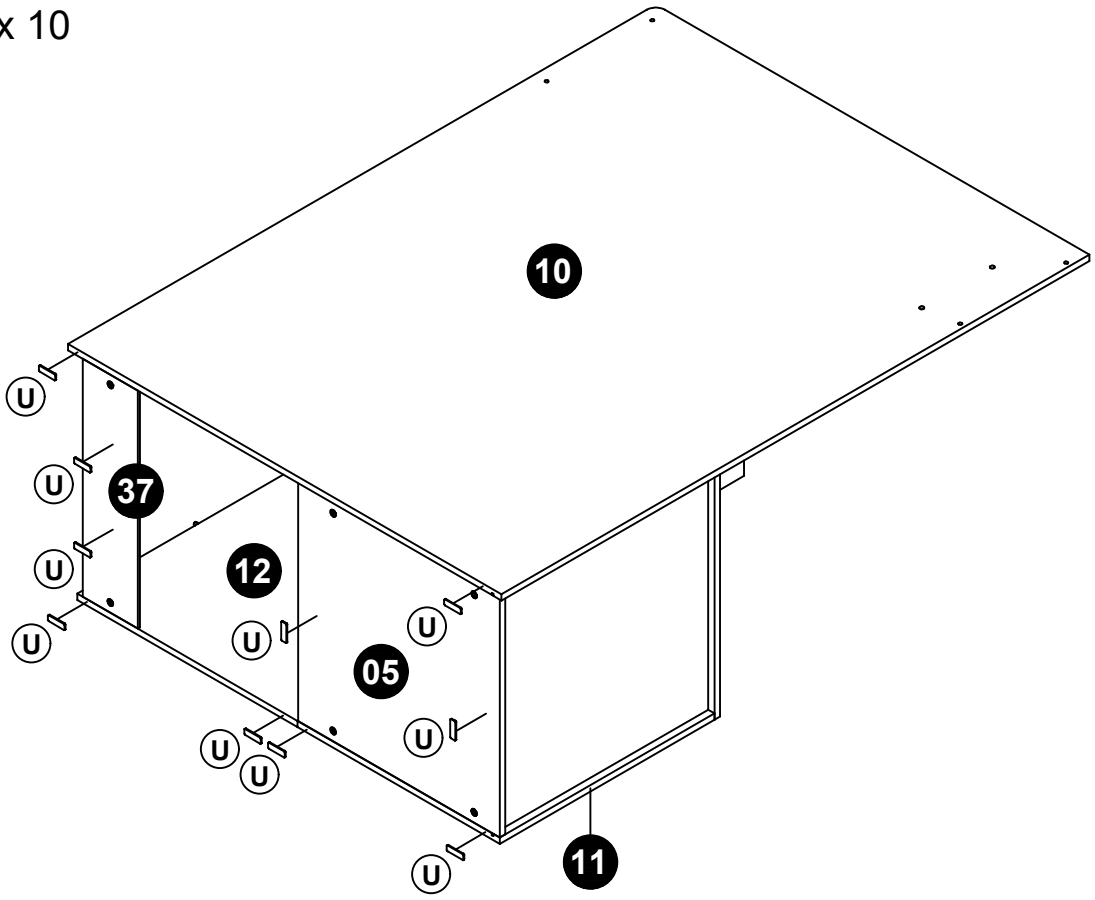
14





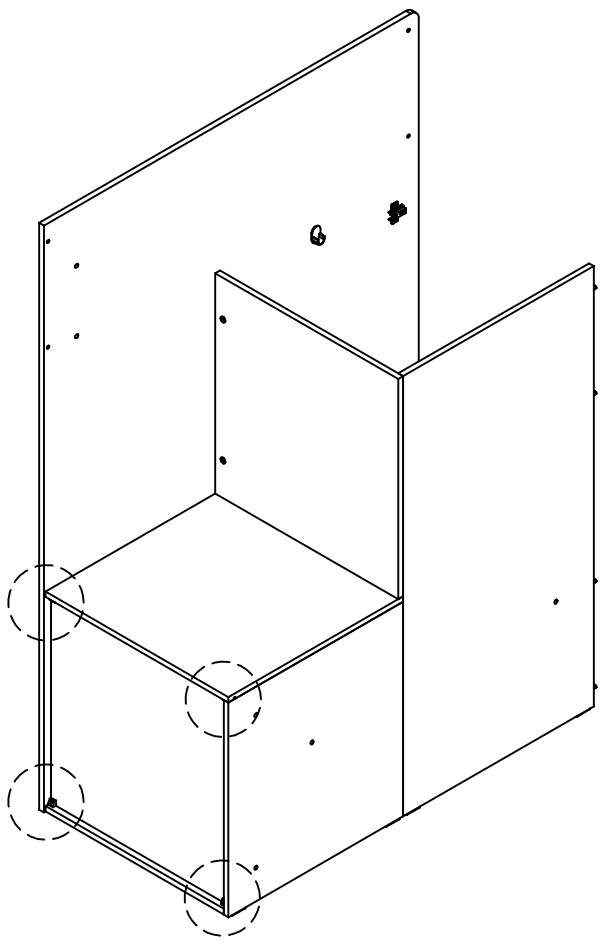
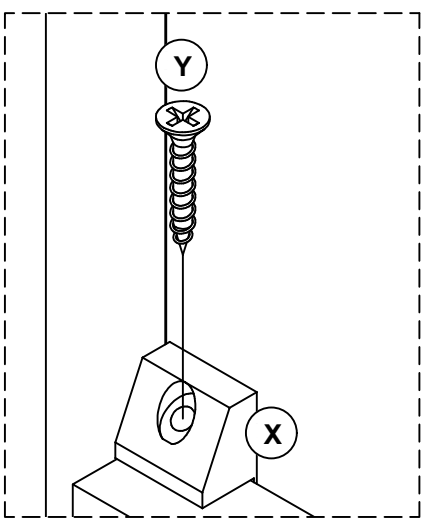
Guide To Assembly

Model : IQ 7943

15  U x 10

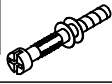

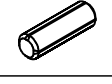



16  X x 4
 Y x 4

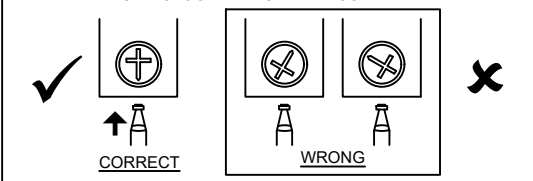


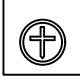


Guide To Assembly

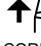

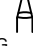
Model : IQ 7943

- 17
-  A x 28
 -  B x 28
 -  D x 27
 -  U x 6

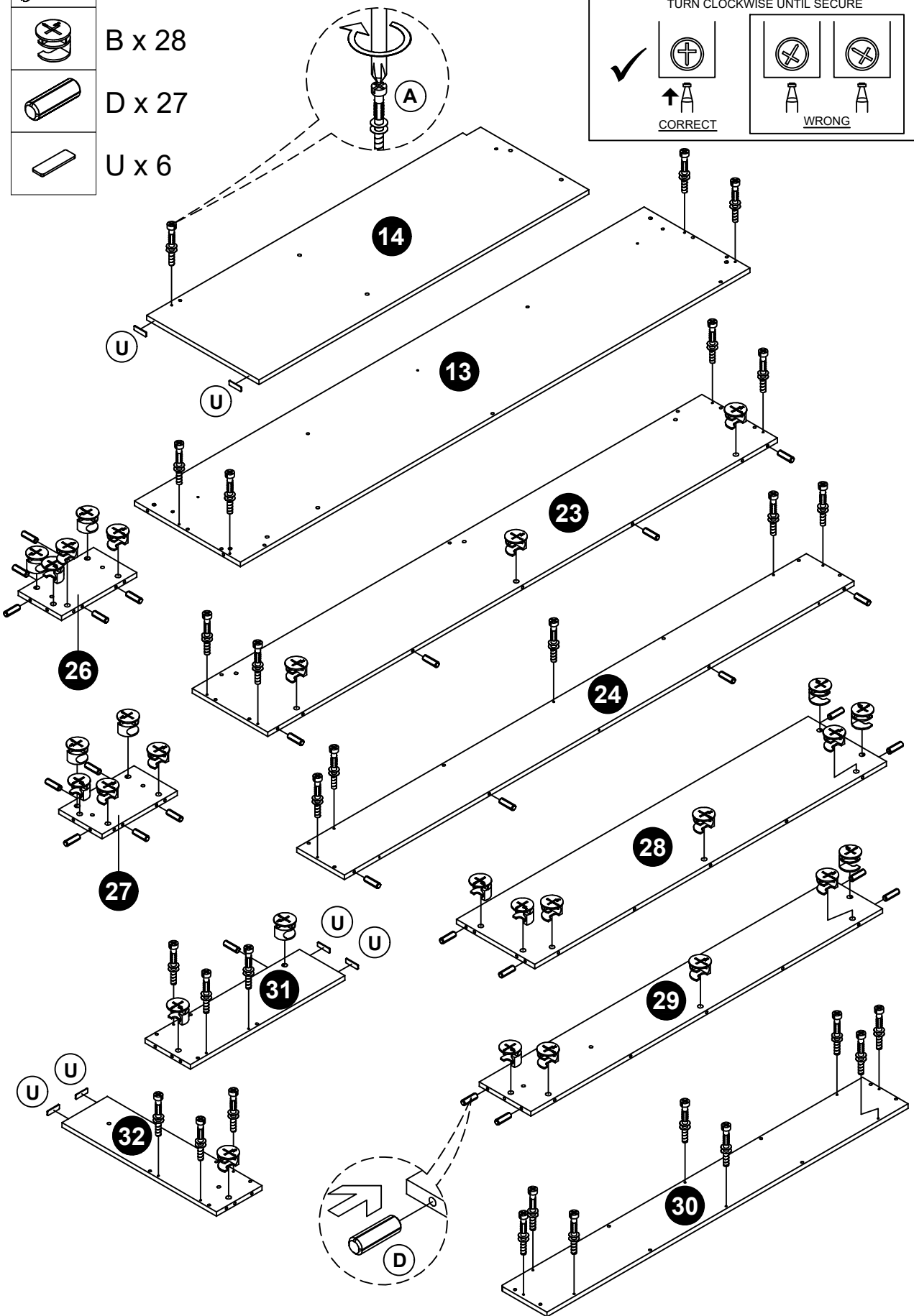
WHEN FITTING CAMS
 ENSURE STARTING POSITION IS CORRECT
 BEFORE YOU INSERT CONNECTING BOLT
 TURN CLOCKWISE UNTIL SECURE



✓    X

↑   

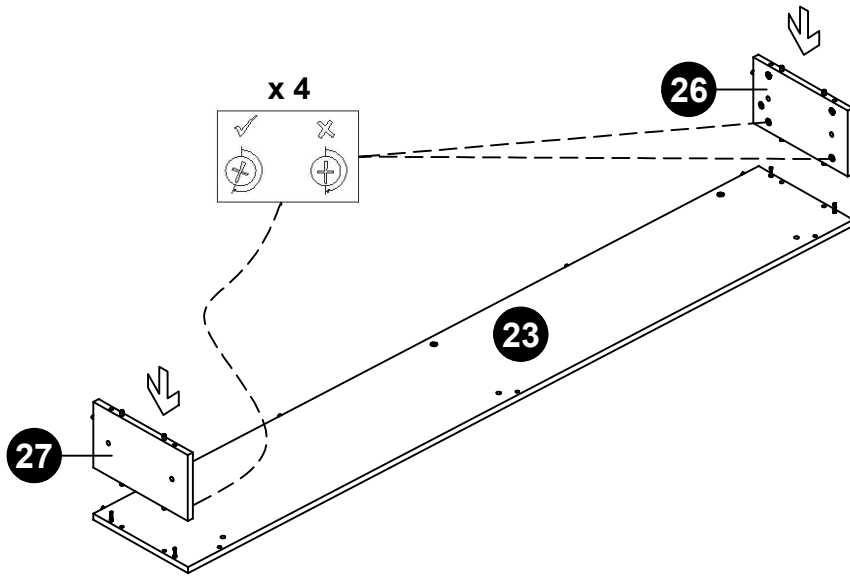
CORRECT WRONG



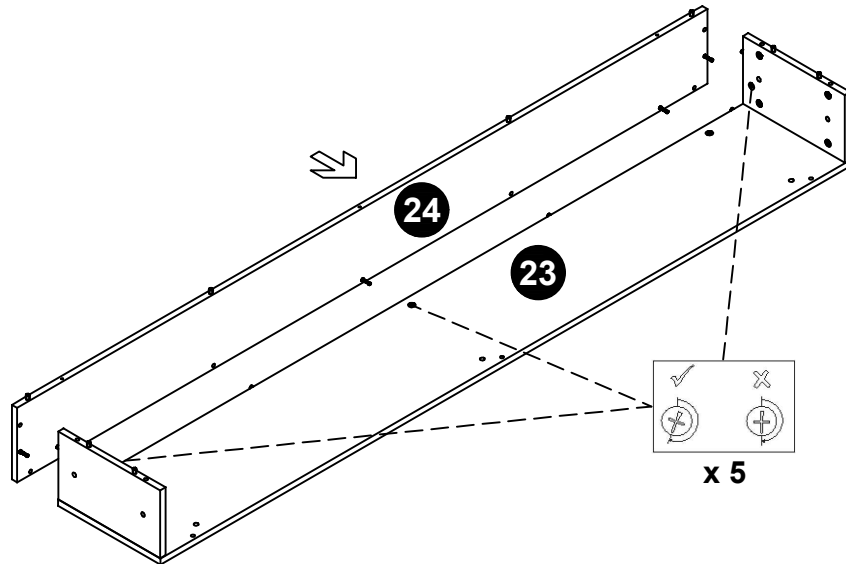
Guide To Assembly

Model : IQ 7943

18



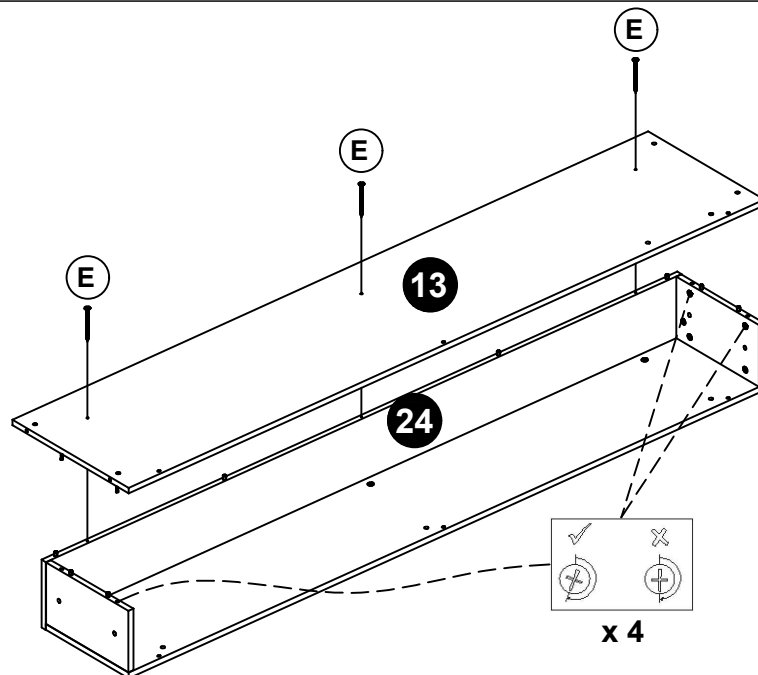
19



20





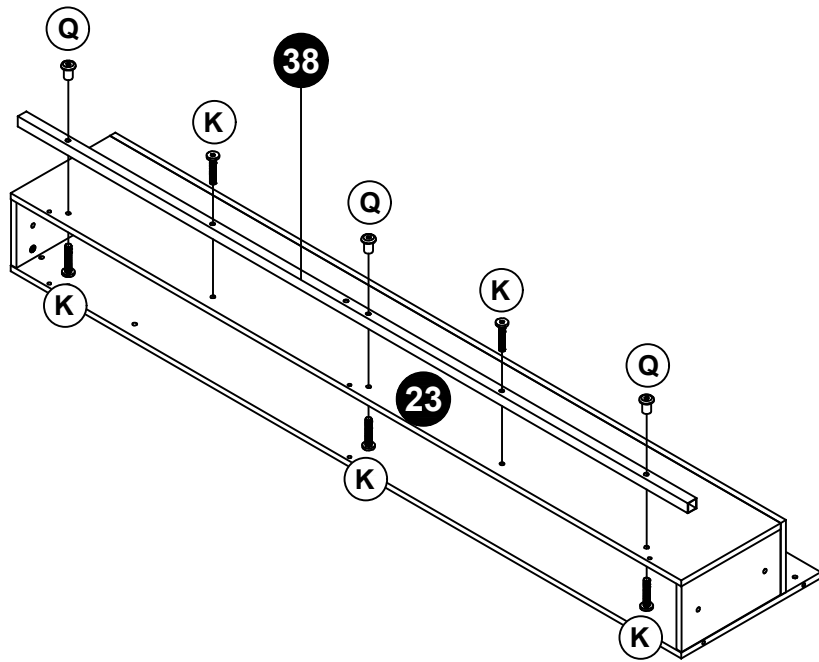
E x 3



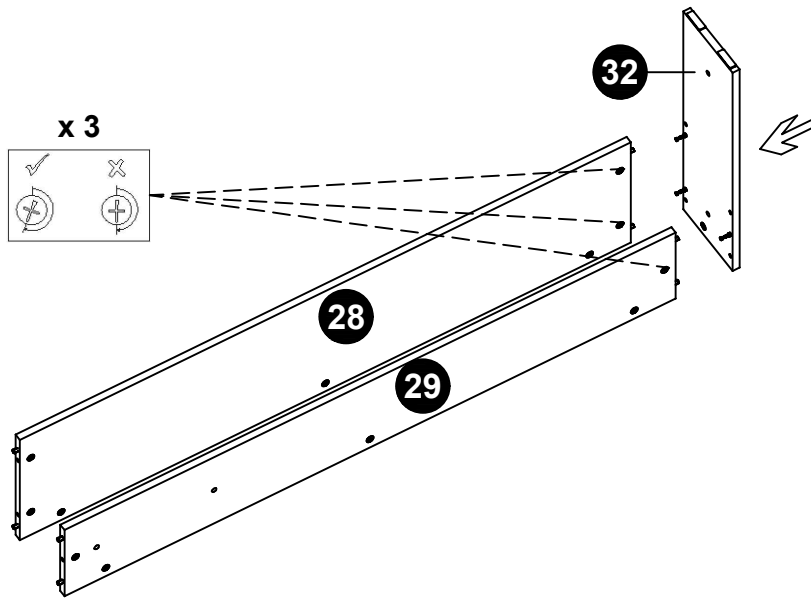
Guide To Assembly

Model : IQ 7943

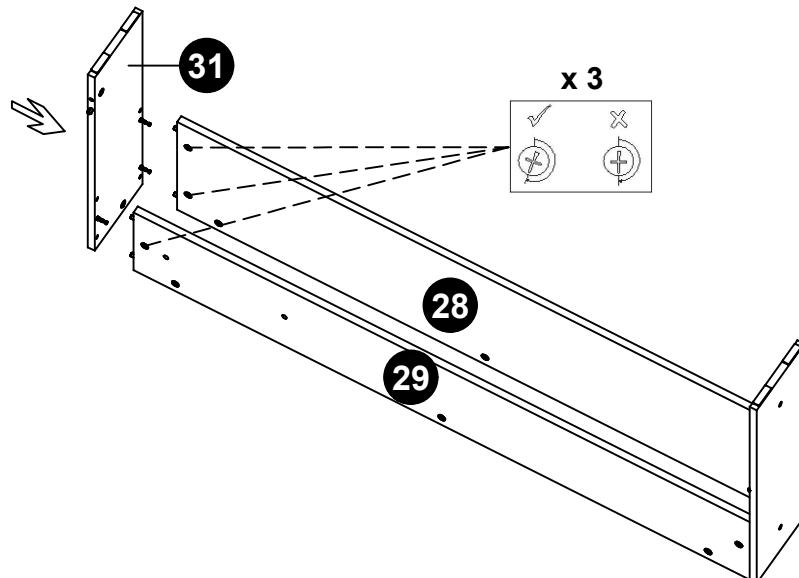
- 21  K x 5
-  Q x 3



22




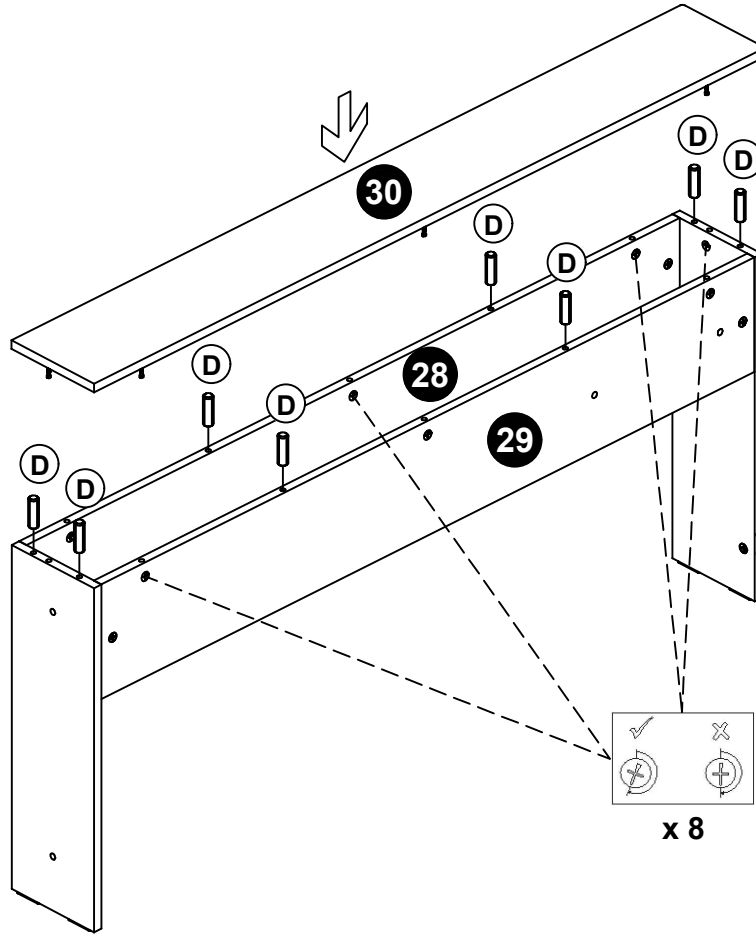
23




Guide To Assembly

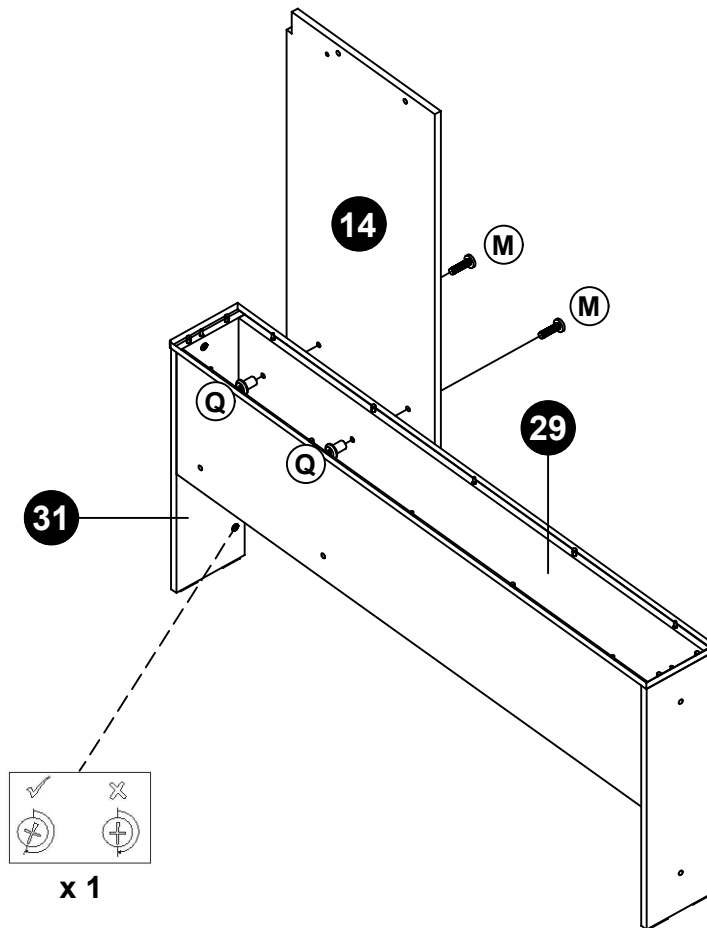
Model : IQ 7943

24  D x 8





25  M x 2

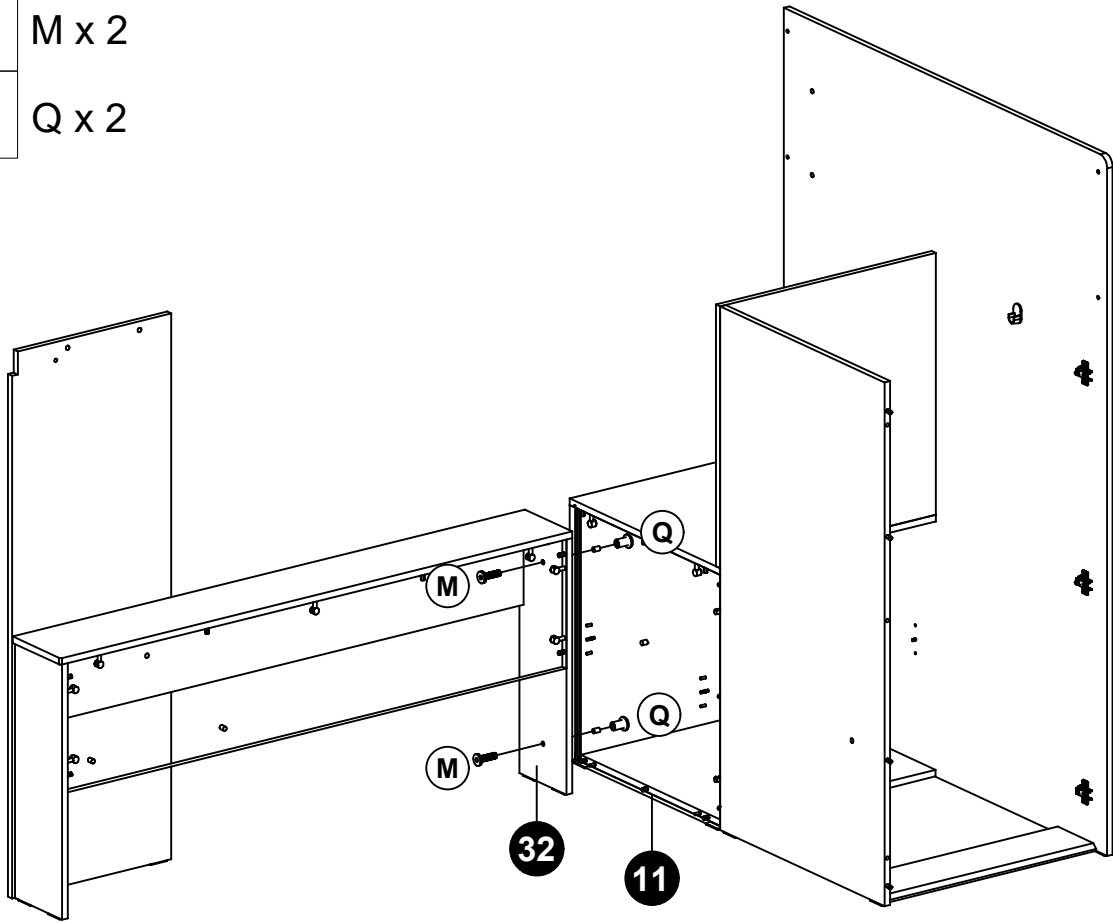
 Q x 2





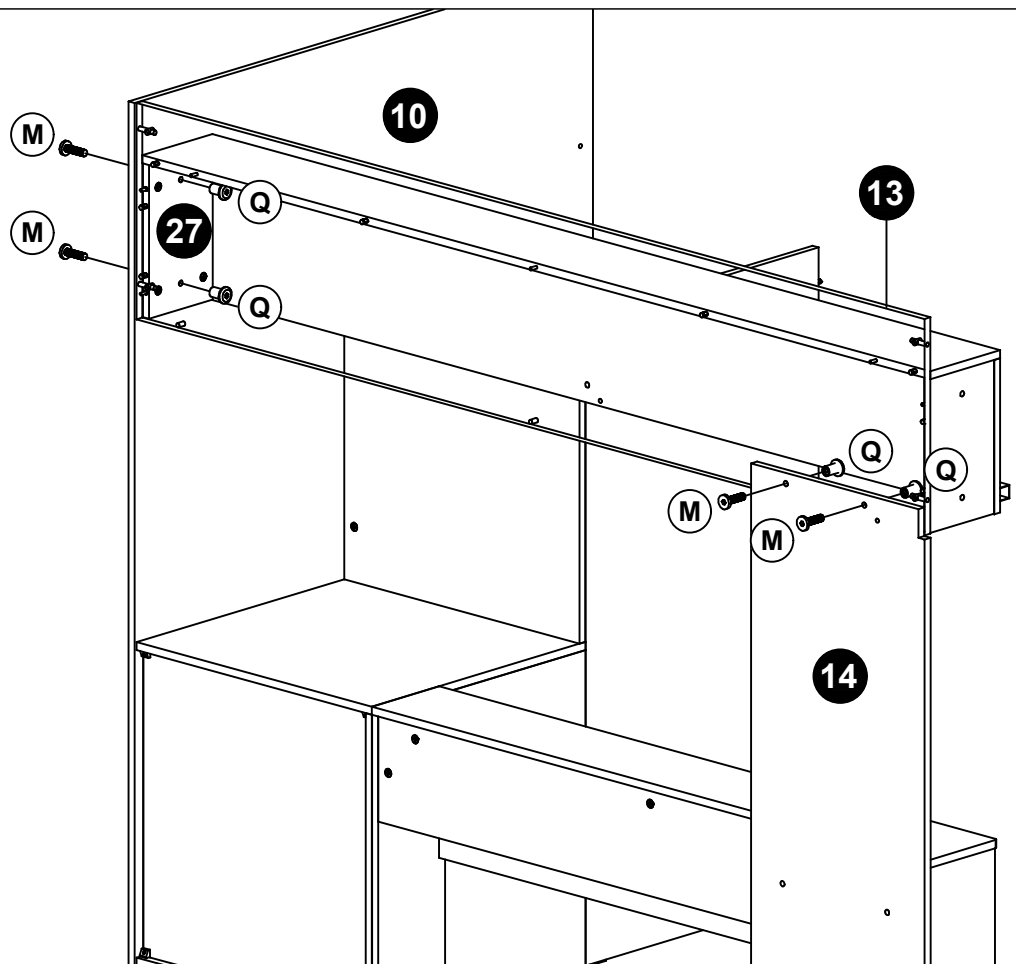
Guide To Assembly

Model : IQ 7943

- 26
-  M x 2
 -  Q x 2



- 27
-  M x 4
 -  Q x 4



Guide To Assembly

Model : IQ 7943

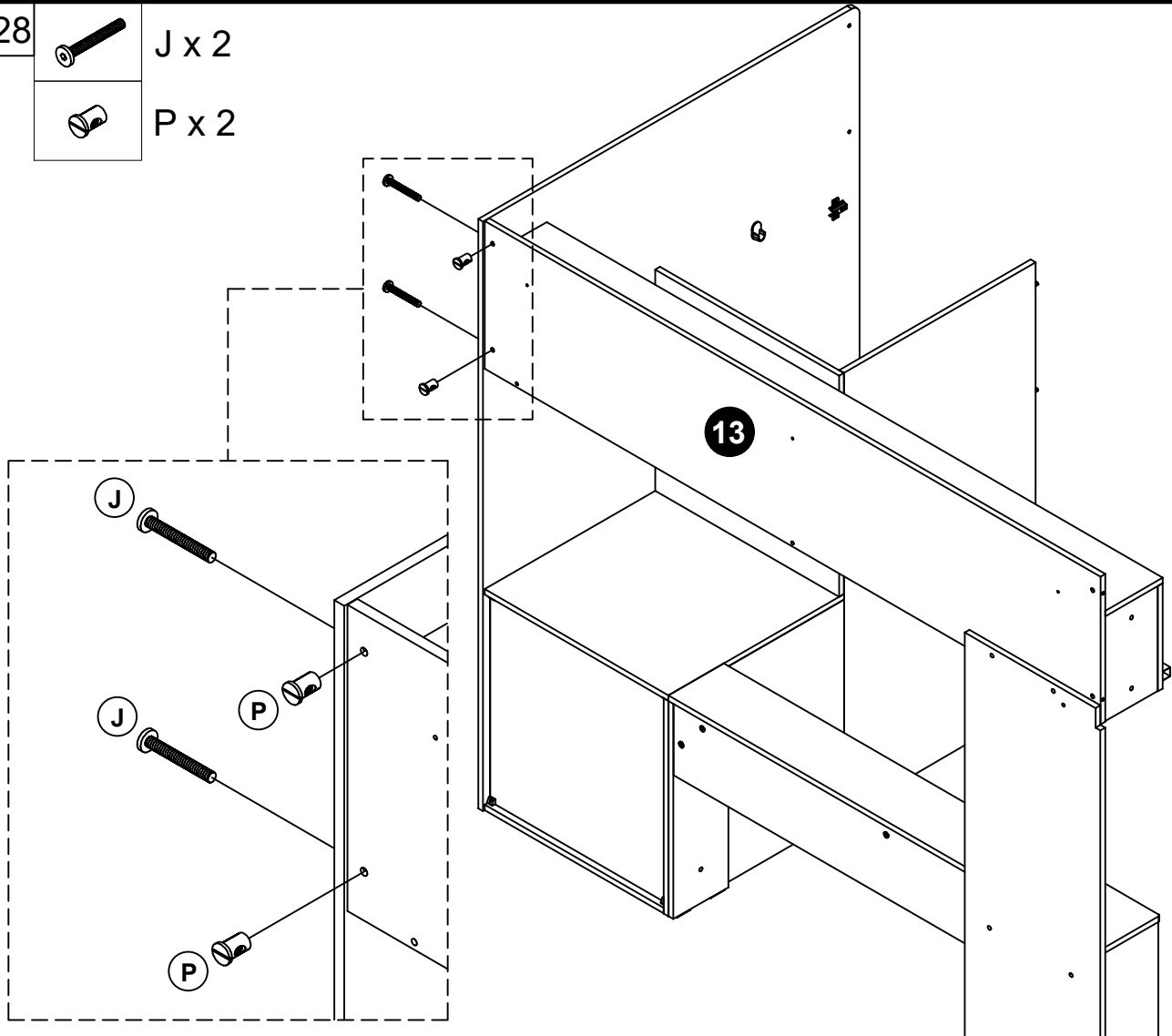
28



J x 2



P x 2



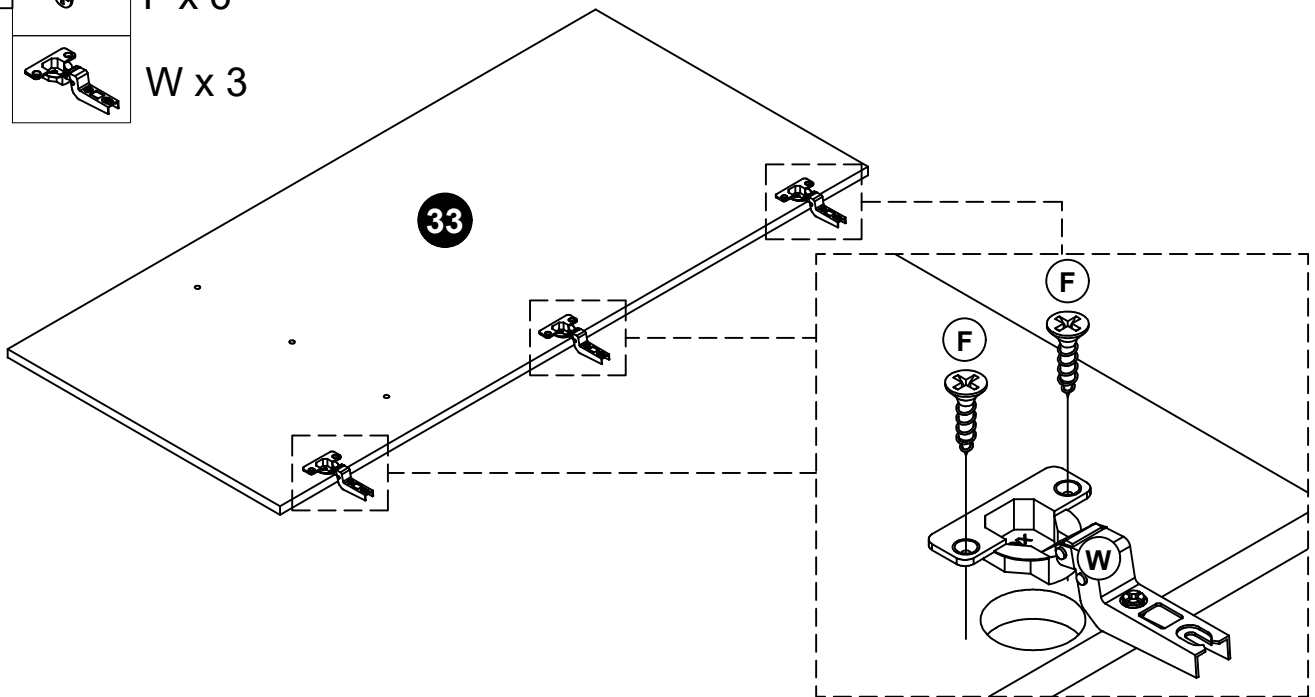
29



F x 6



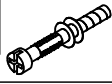
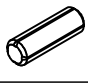



W x 3



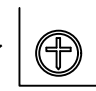
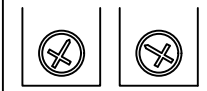
Guide To Assembly

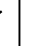

Model : IQ 7943

30

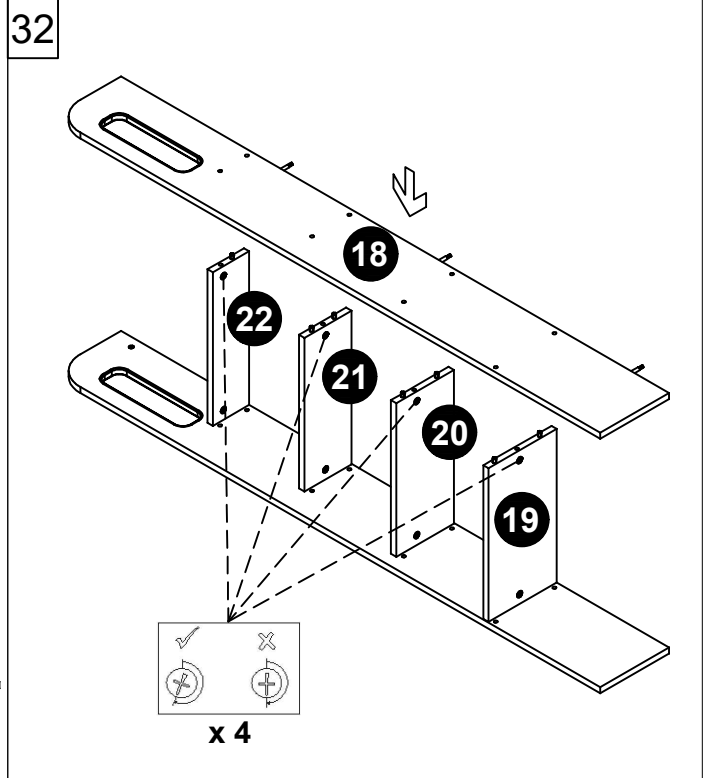
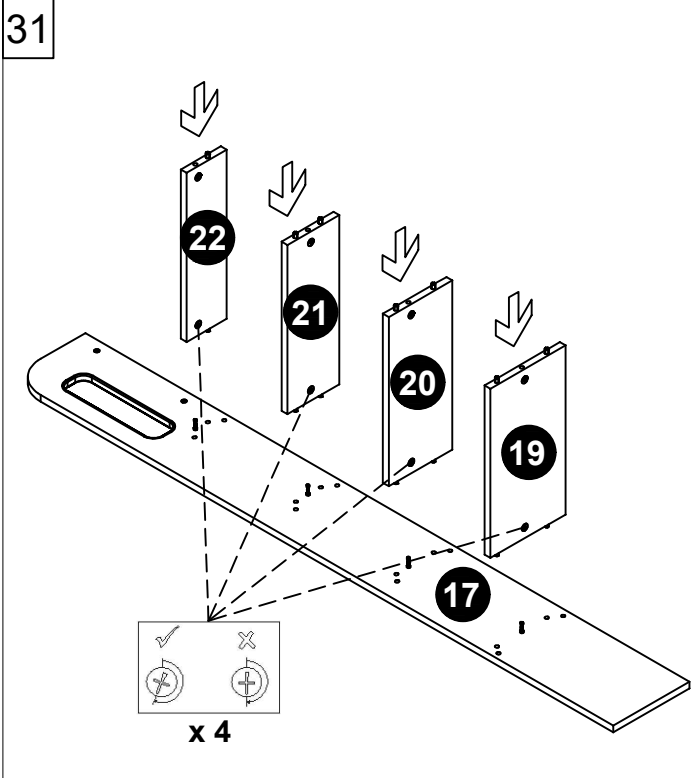
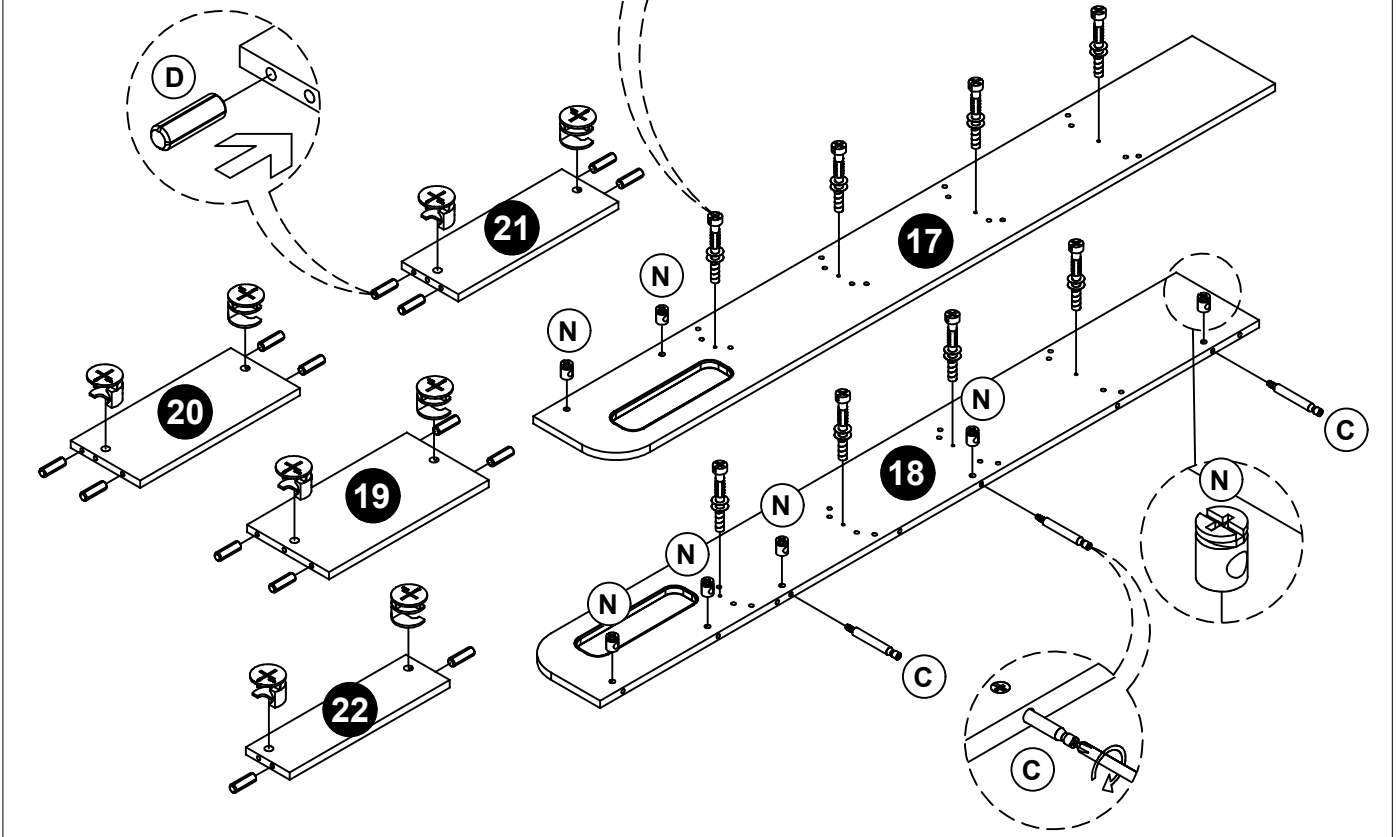
	A x 8		D x 14
	B x 8		N x 7
	C x 3		

WHEN FITTING CAMS
ENSURE STARTING POSITION IS CORRECT BEFORE YOU INSERT CONNECTING BOLT TURN CLOCKWISE UNTIL SECURE

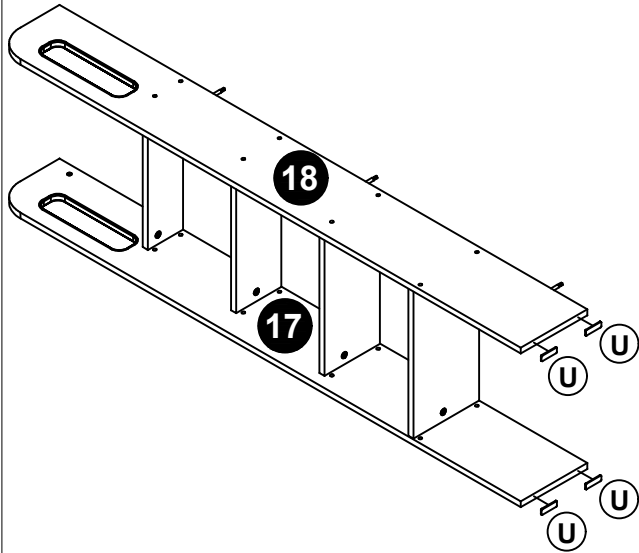
CORRECT WRONG



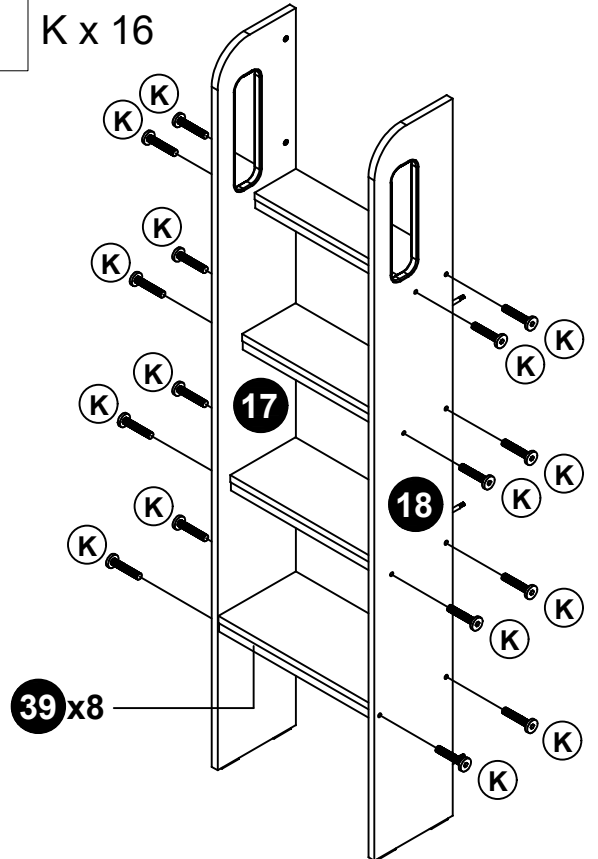
Guide To Assembly

Model : IQ 7943

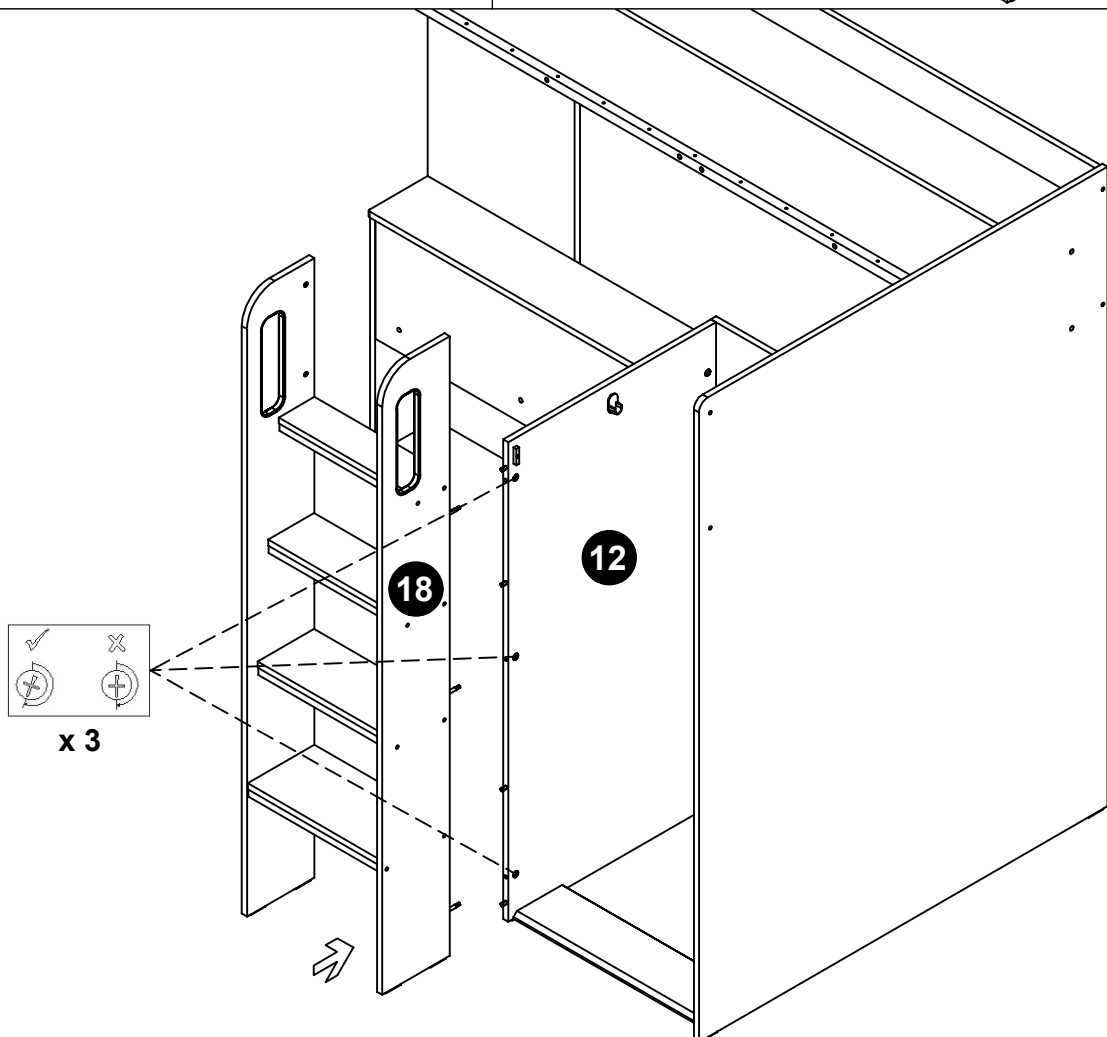
33 U x 4



34 K x 16



35



Guide To Assembly

Model : IQ 7943

36



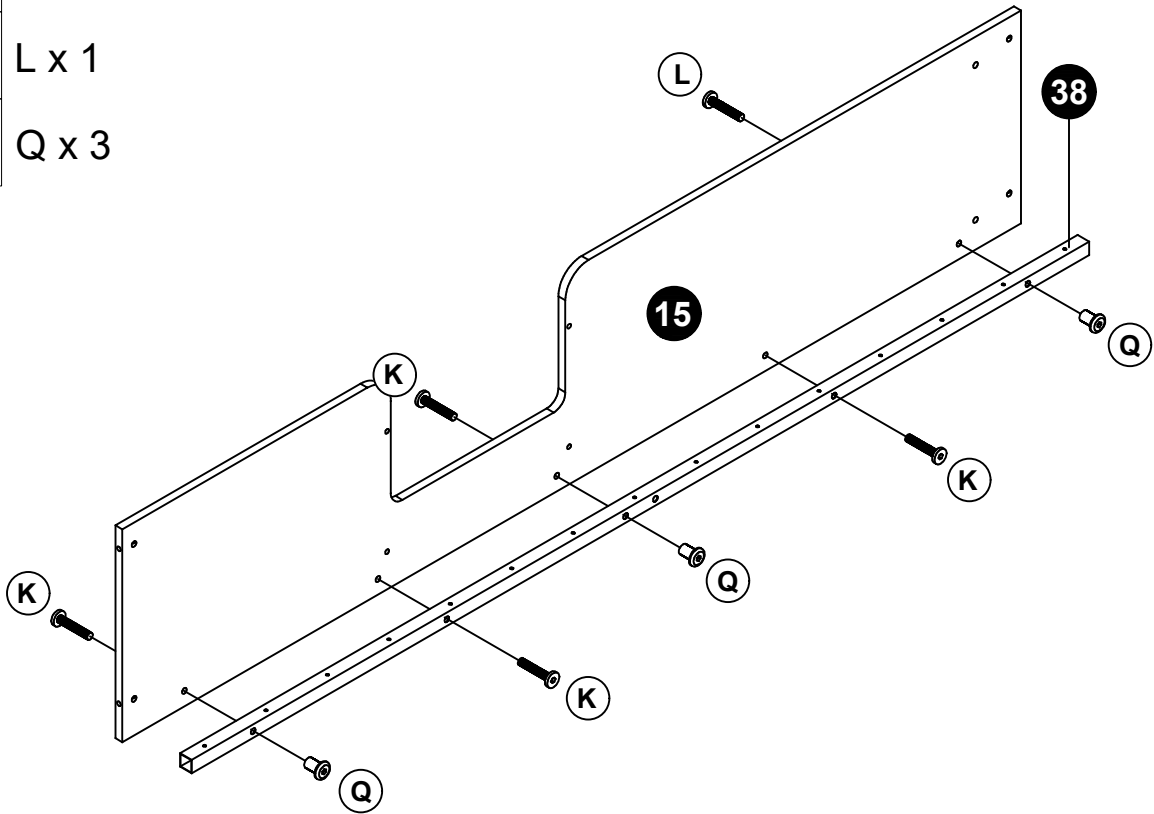
K x 4



L x 1



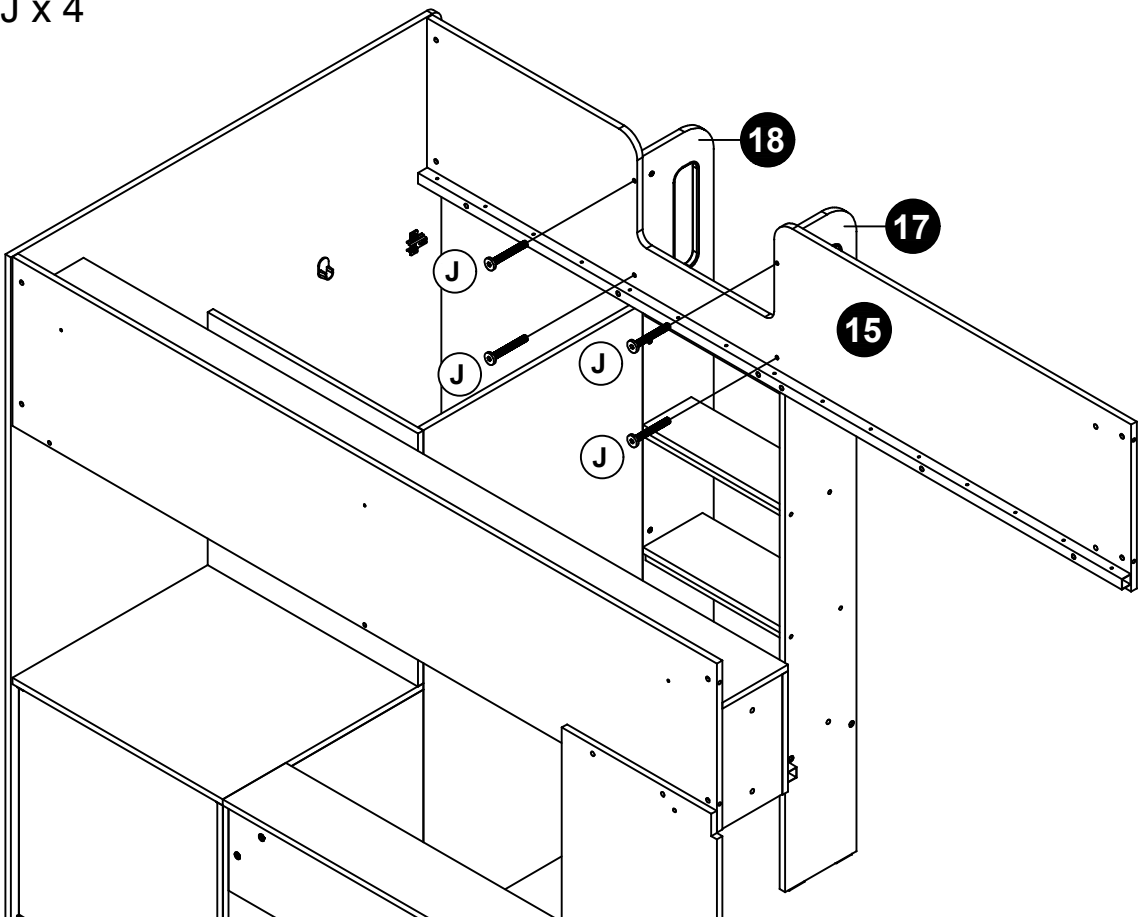
Q x 3



37



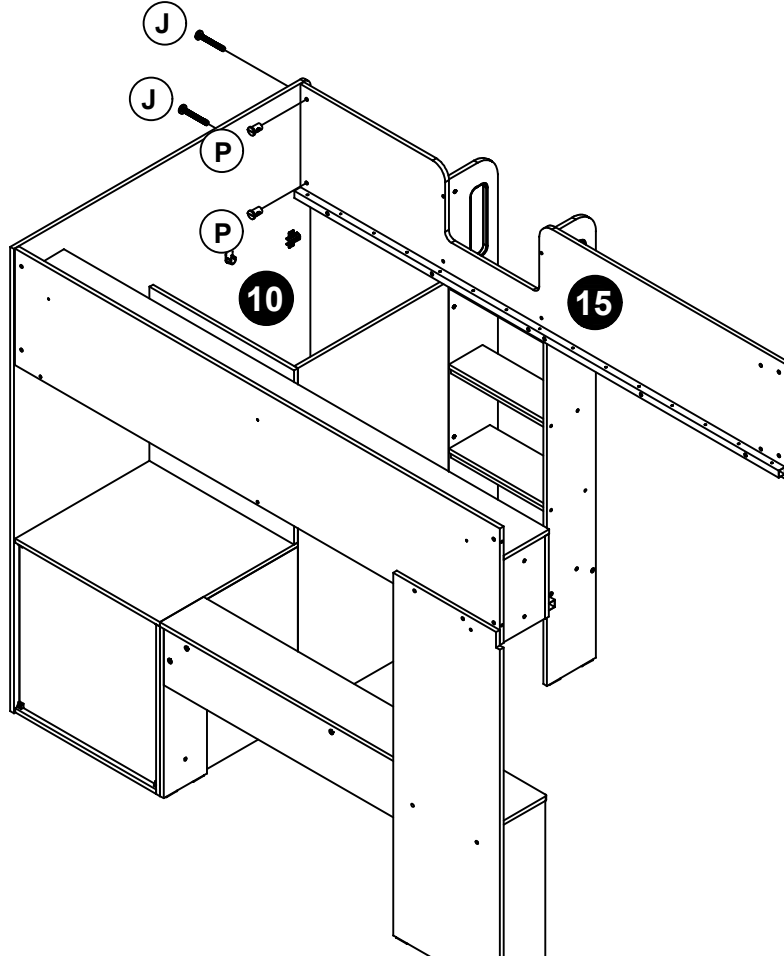
J x 4



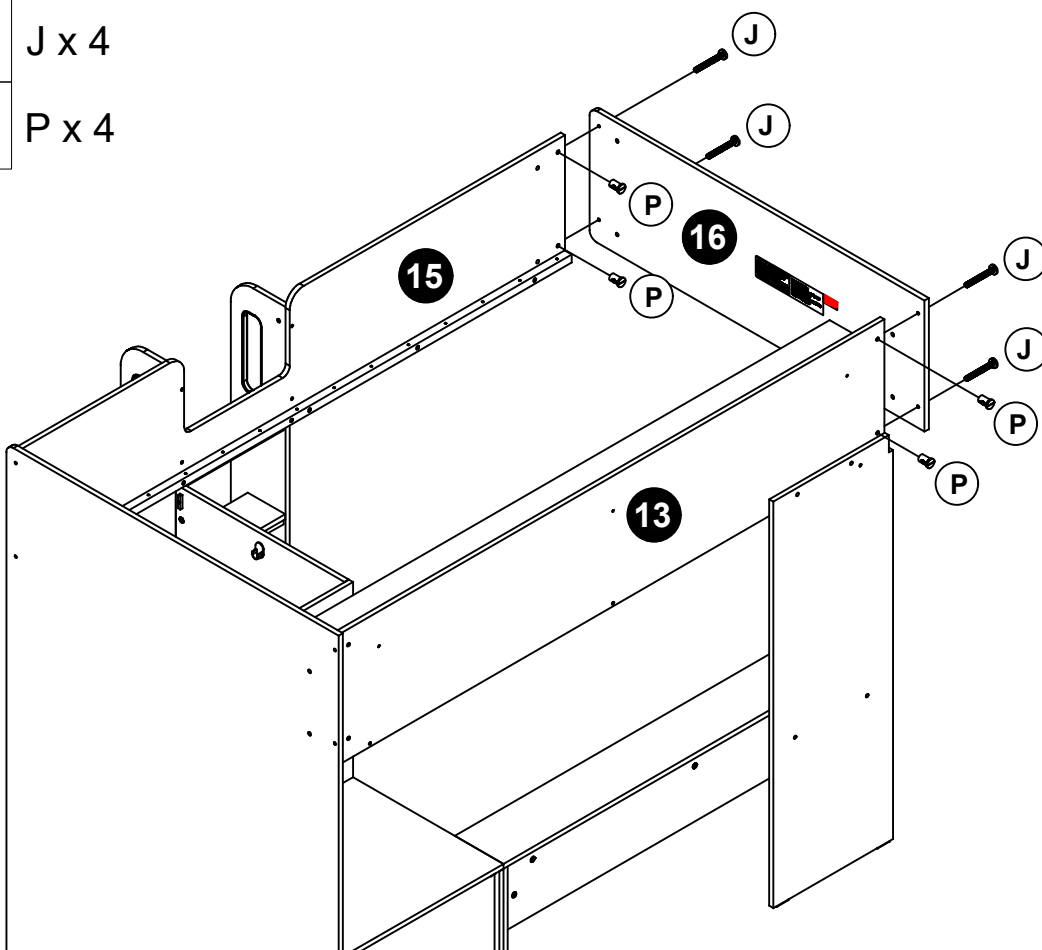
Guide To Assembly

Model : IQ 7943

- 38
- J x 2
 - P x 2





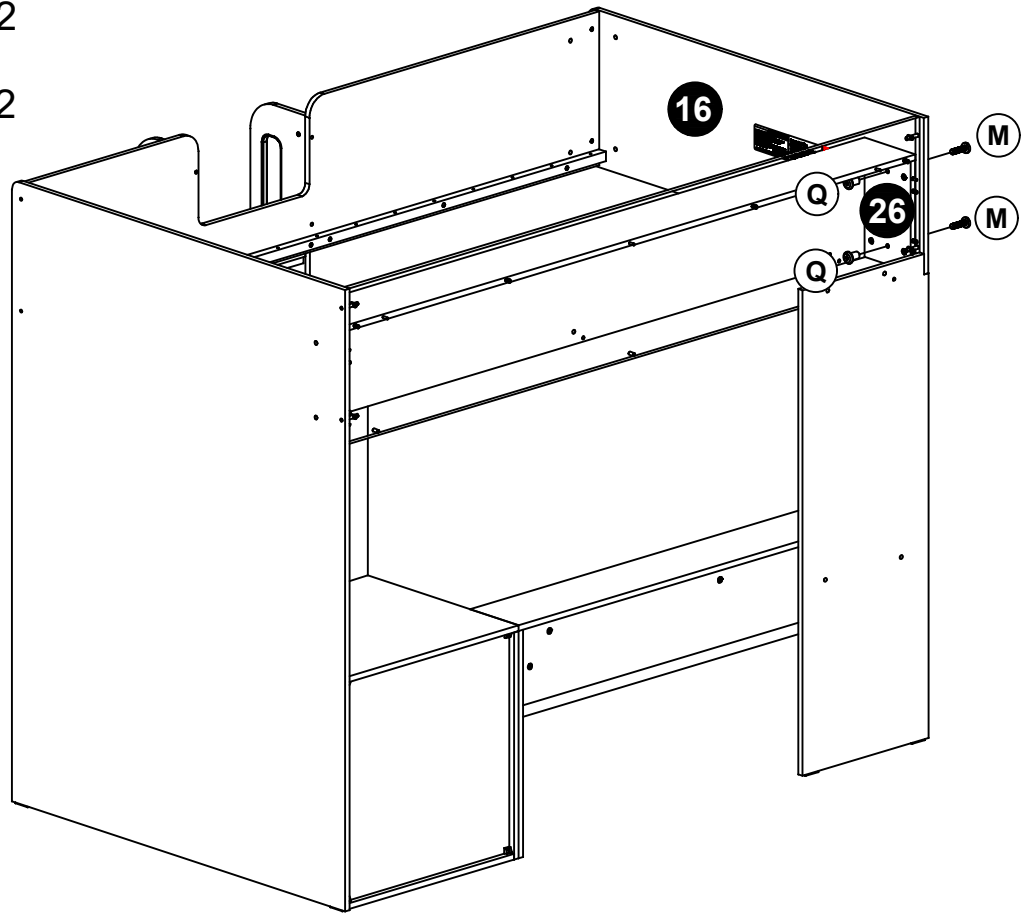
- 39
- J x 4
 - P x 4






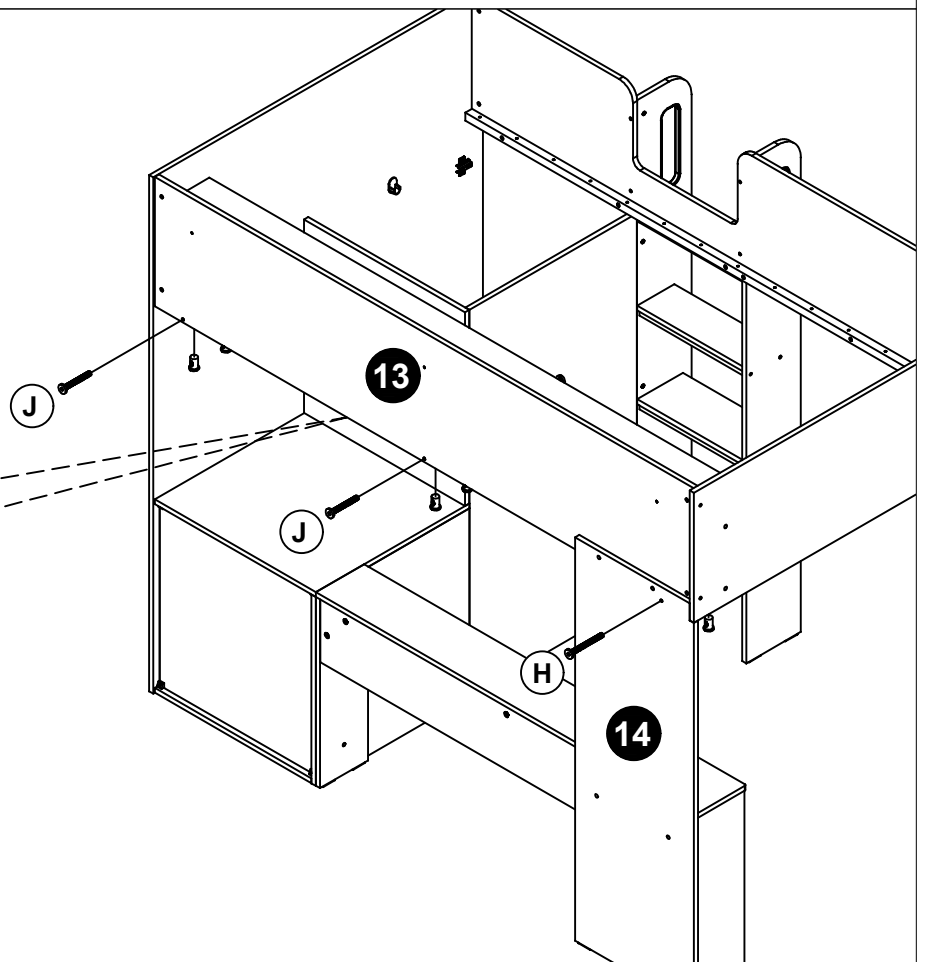
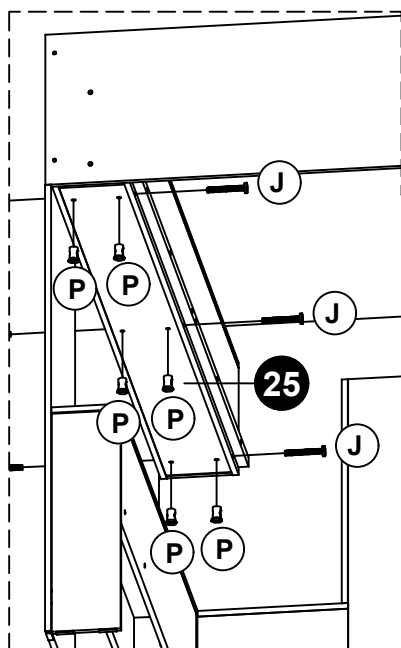
Guide To Assembly

Model : IQ 7943

- 40
-  M x 2
 -  Q x 2



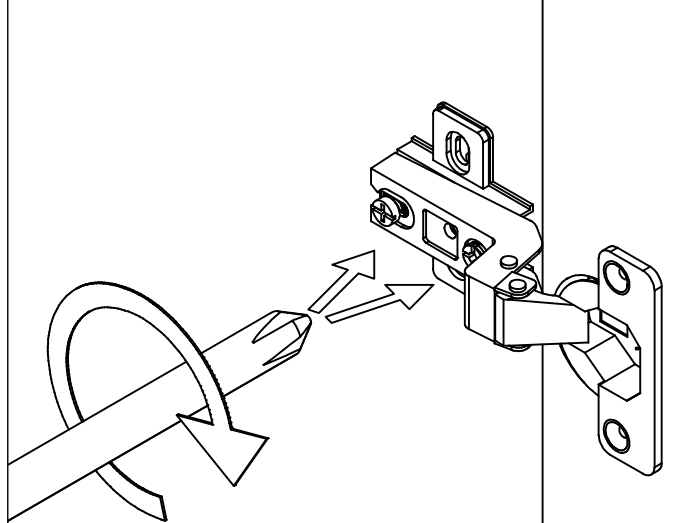
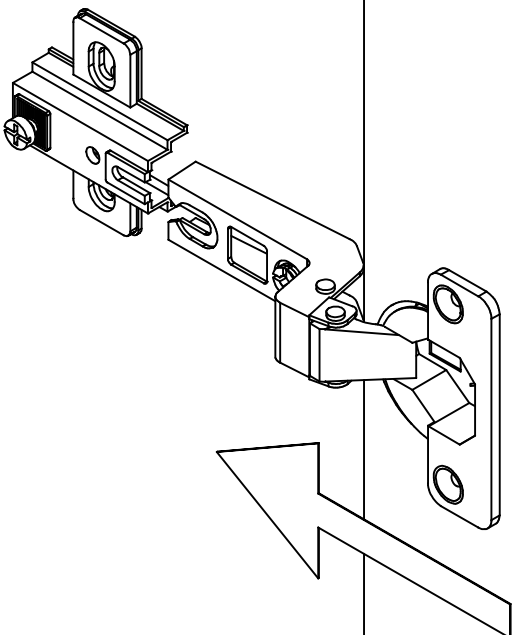
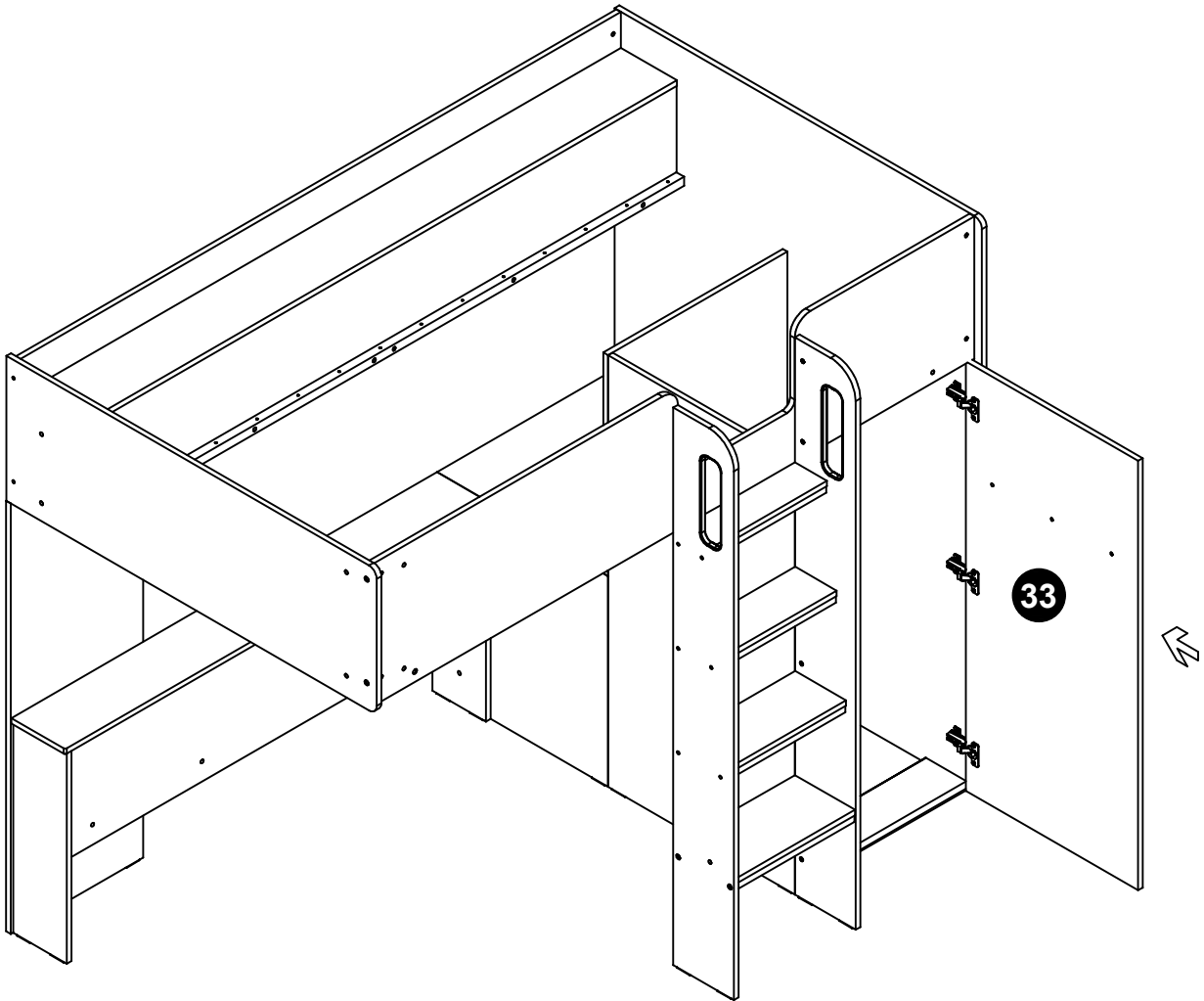
- 41
-  H x 1
 -  J x 5
 -  P x 6



Guide To Assembly

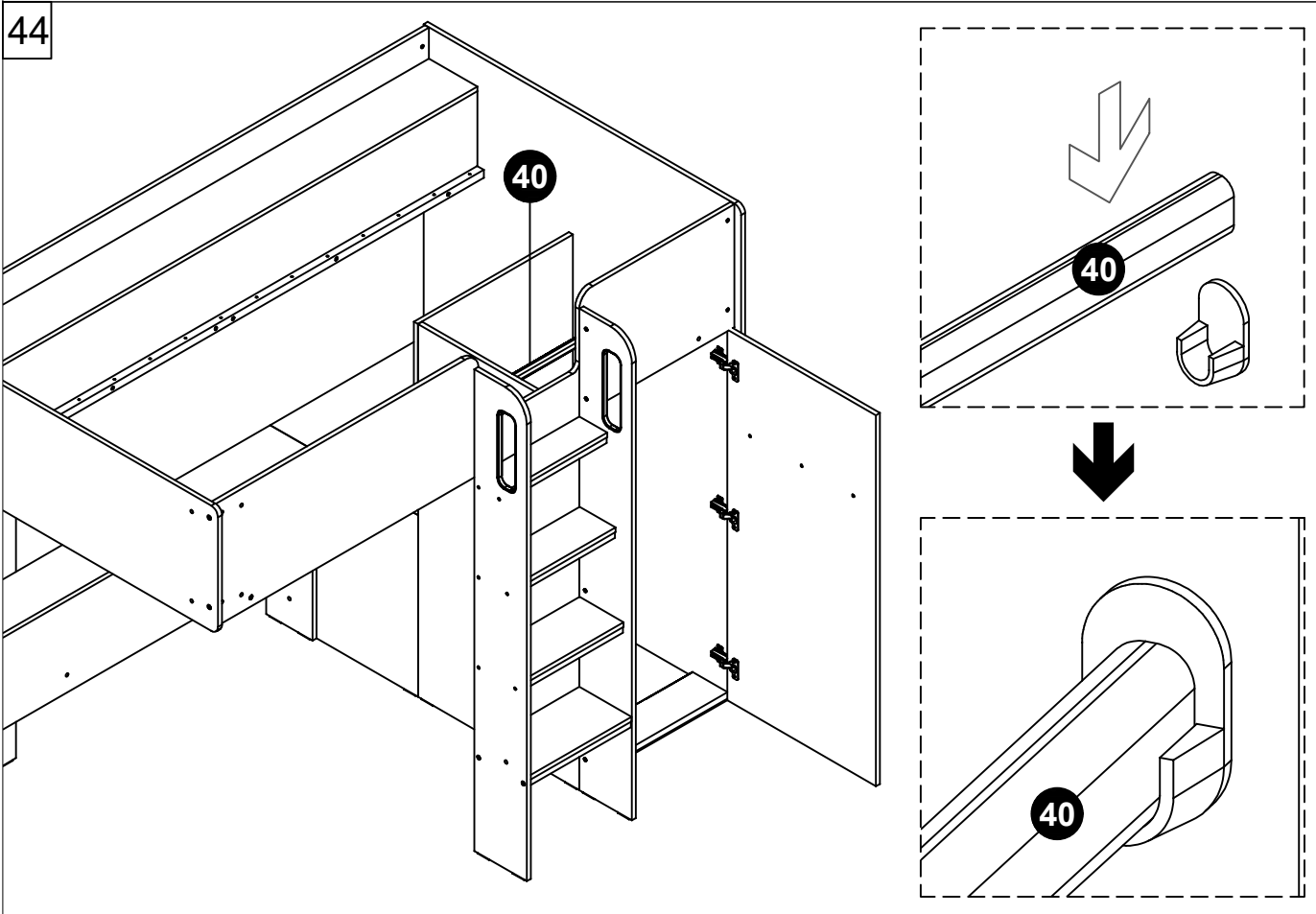
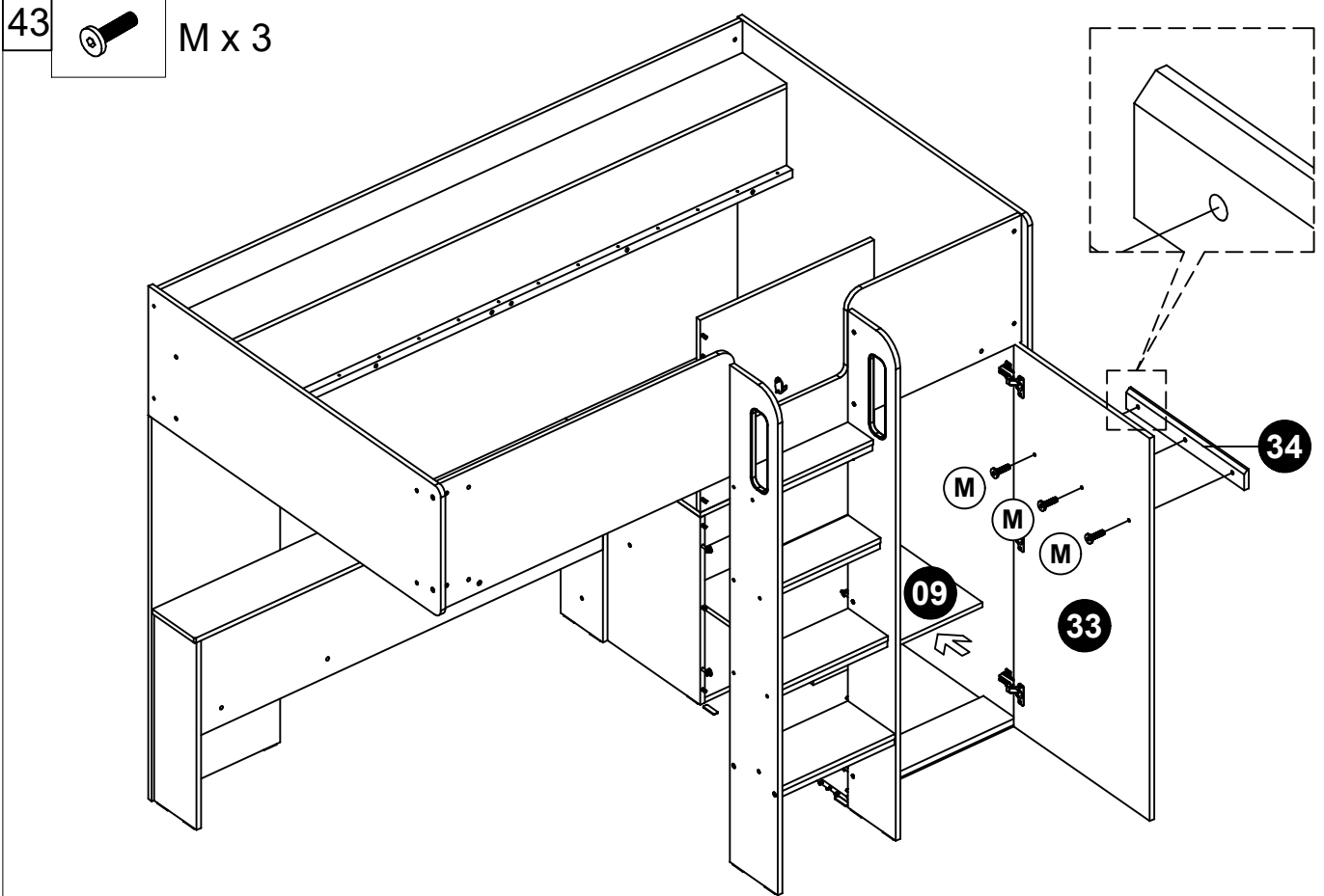
Model : IQ 7943

42




Guide To Assembly

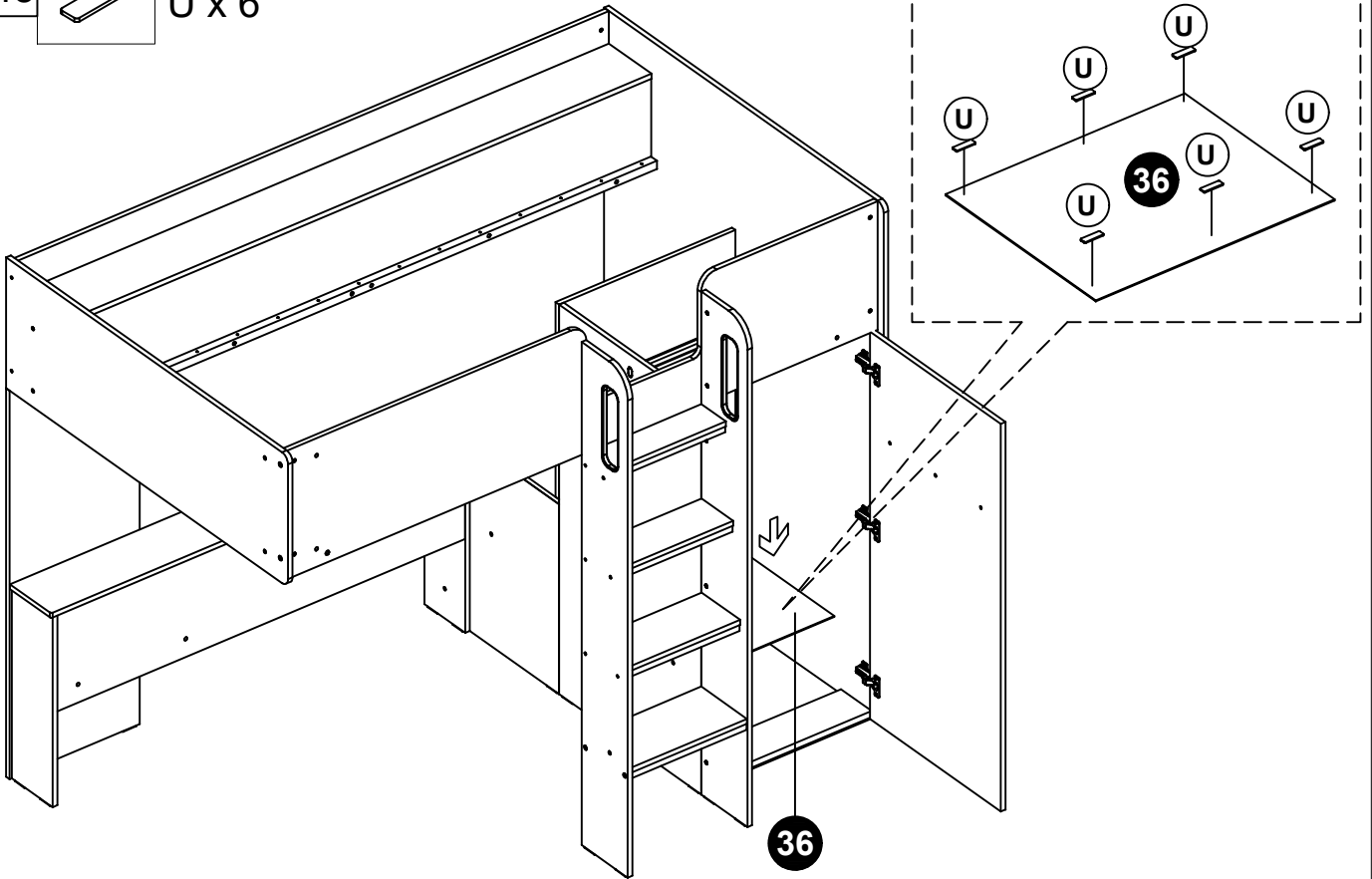
Model : IQ 7943



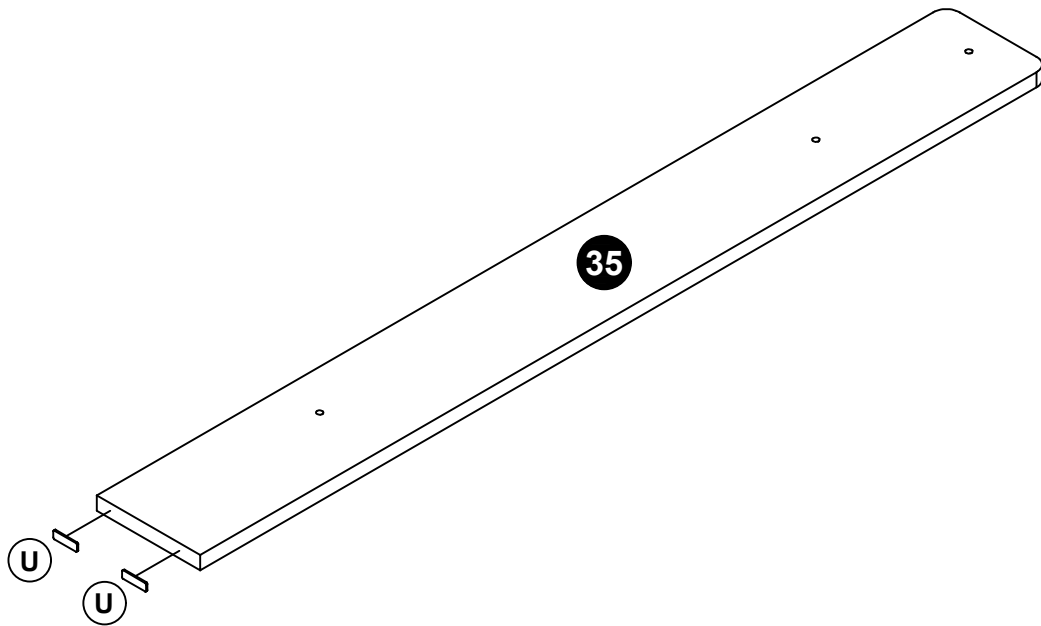
Guide To Assembly

Model : IQ 7943

45  U x 6



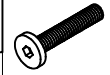
46  U x 2



Guide To Assembly

Model : IQ 7943

47

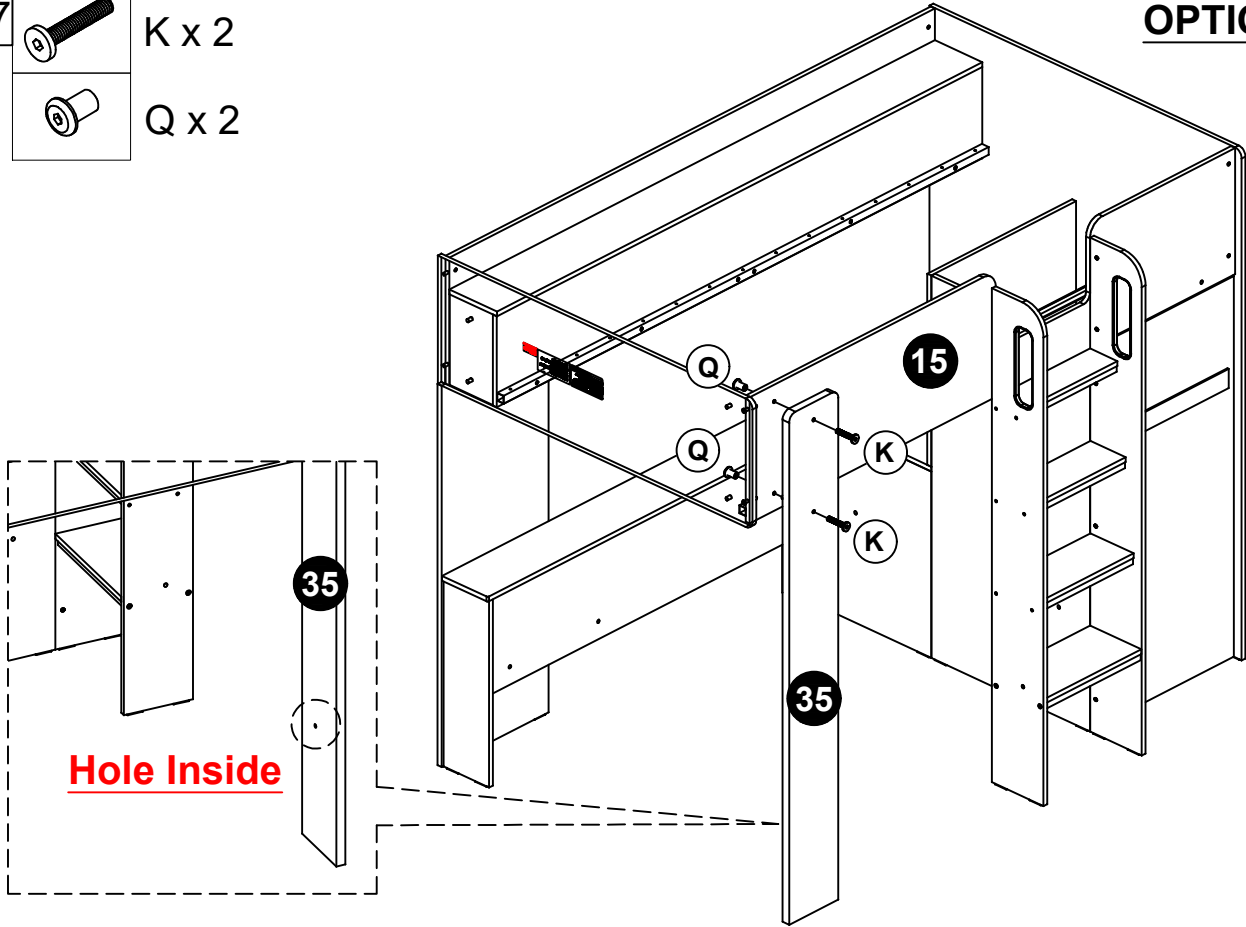


K x 2



Q x 2

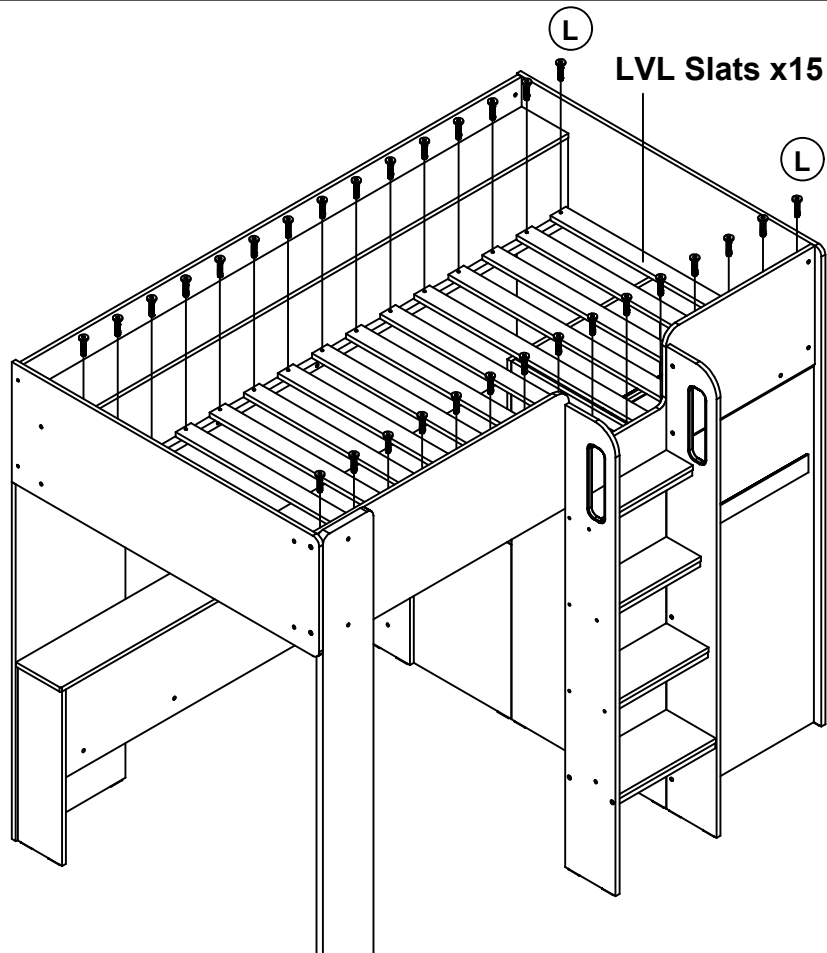
OPTION A



48



L x 30



Guide To Assembly

Model : IQ 7943

49

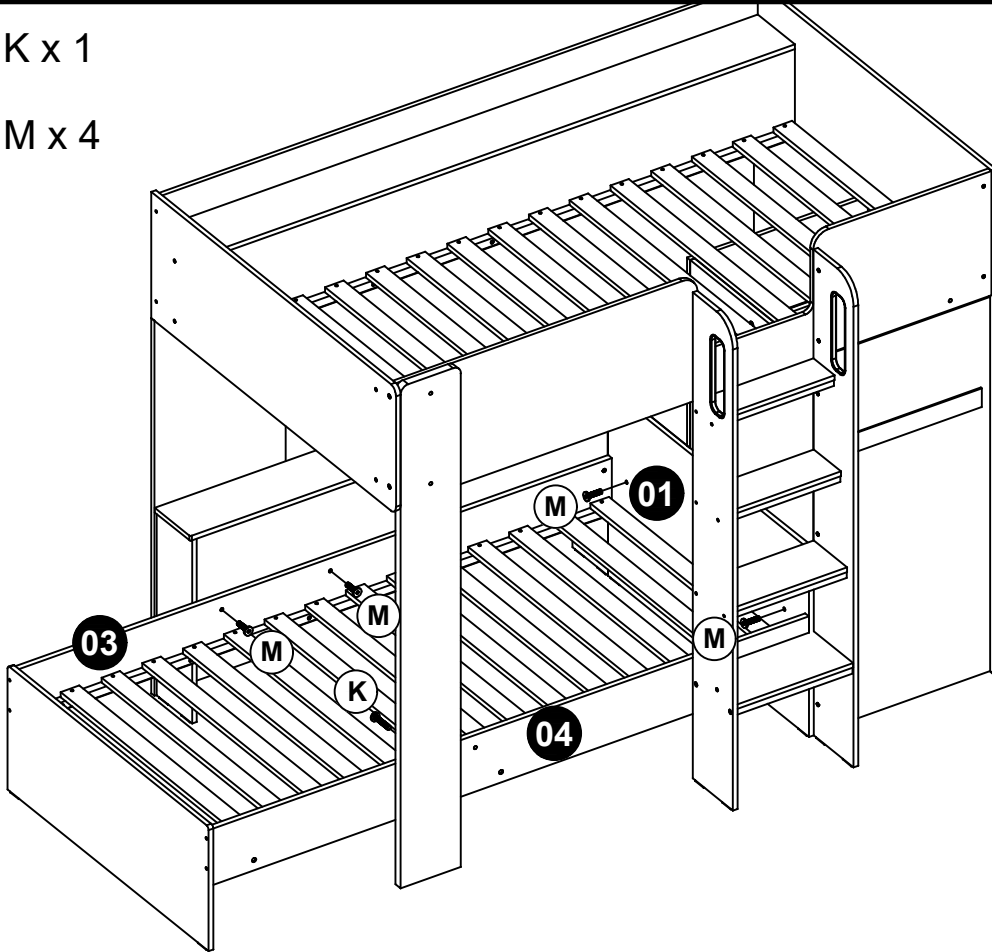


K x 1



M x 4

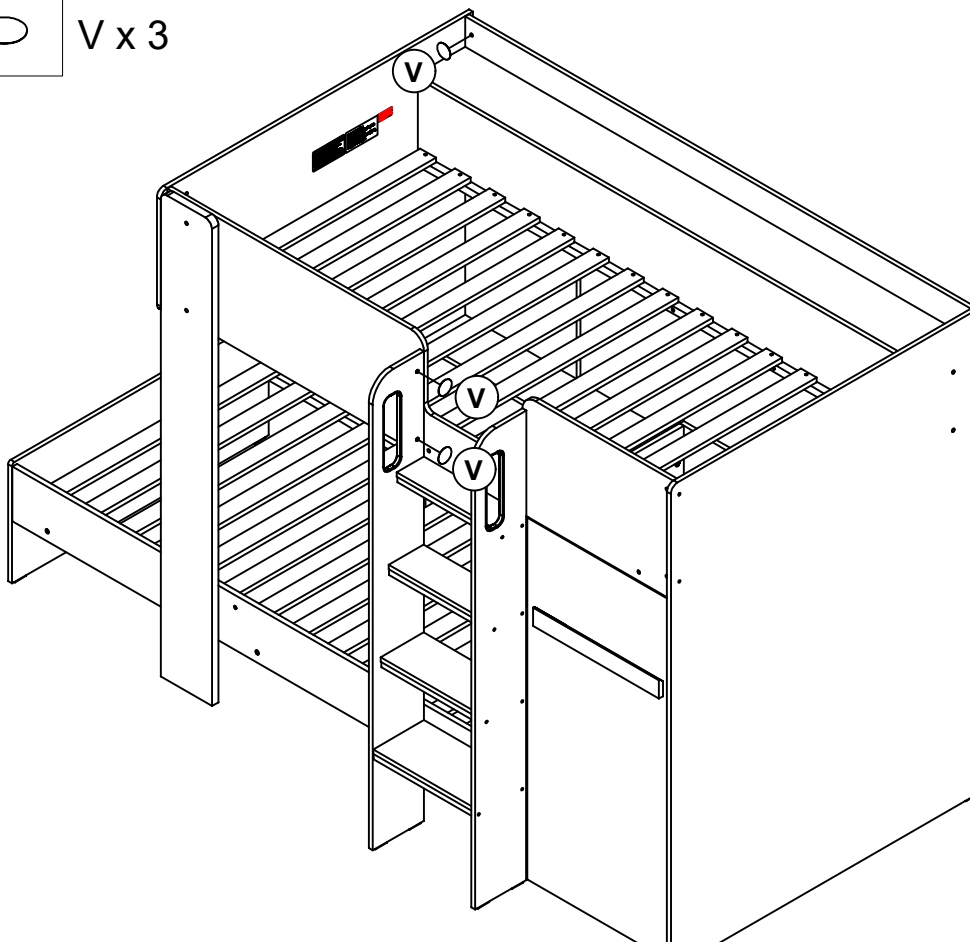
OPTION A



50



V x 3

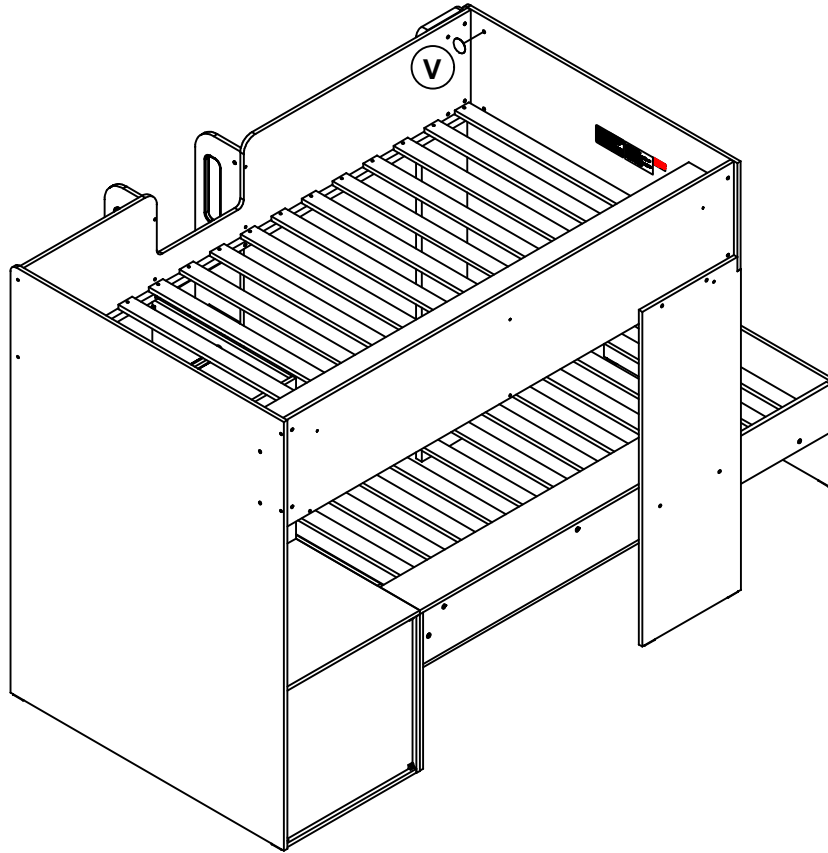


Guide To Assembly

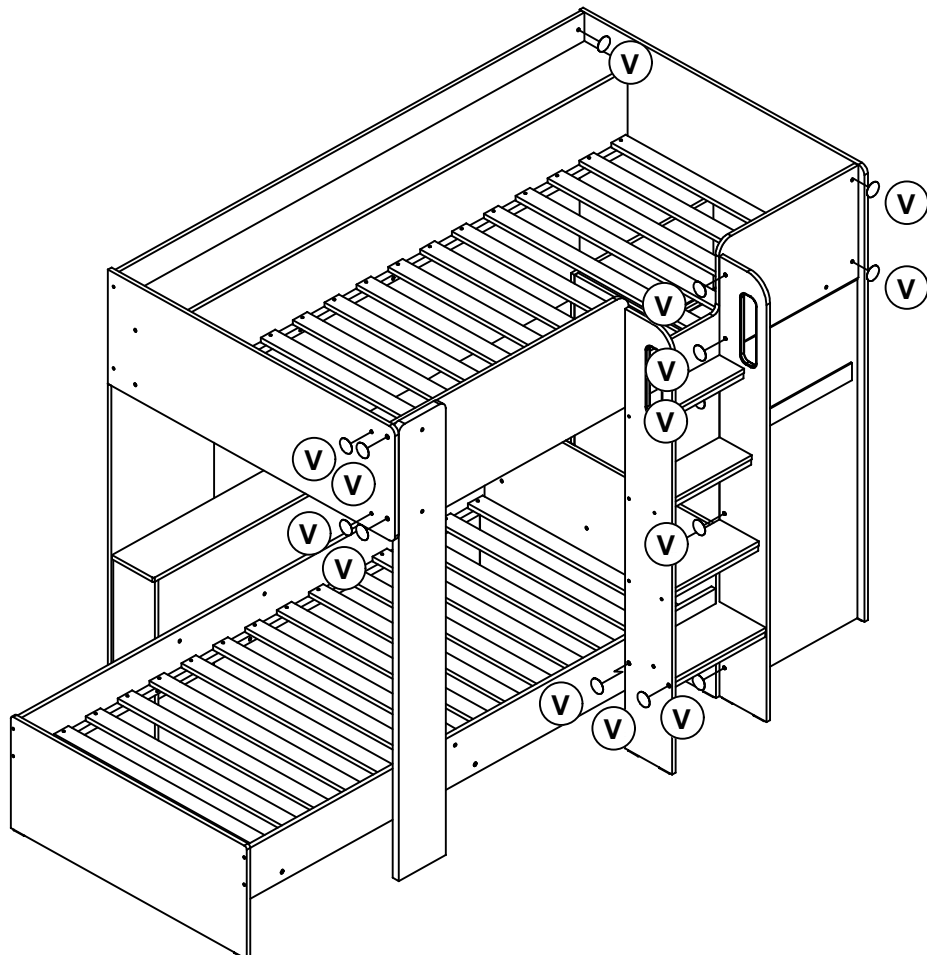
Model : IQ 7943

51 ○ V x 1

OPTION A

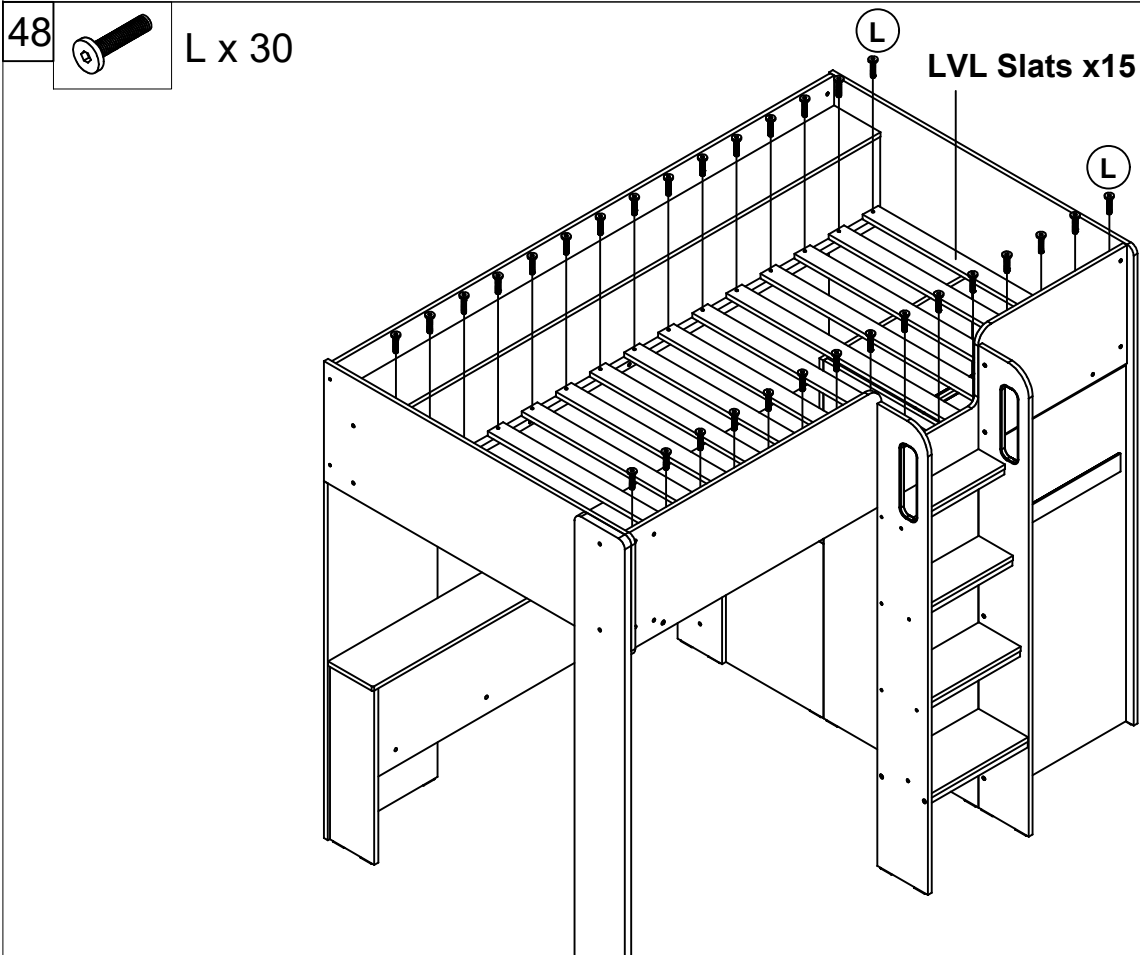
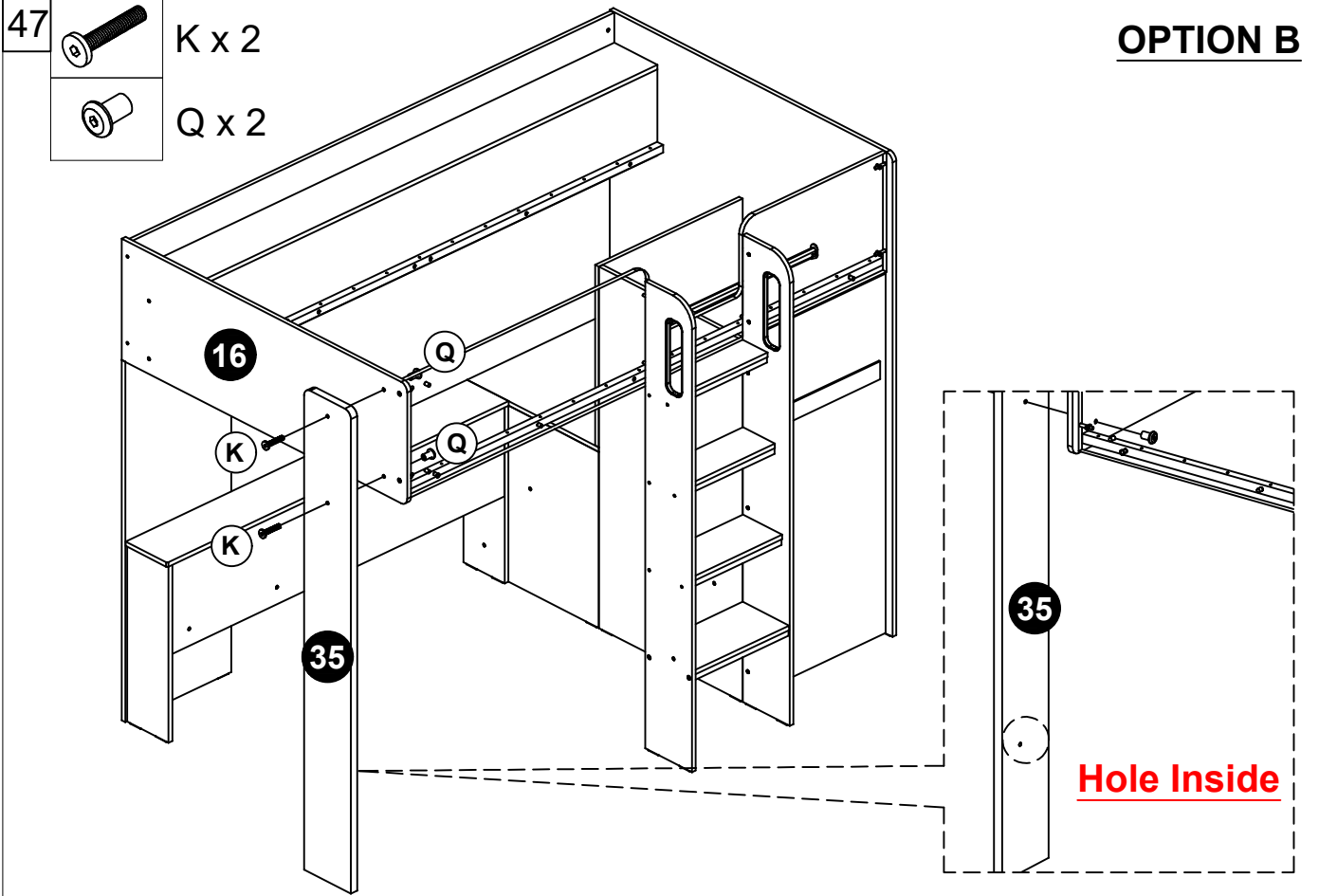


52 ○ V x 14



Guide To Assembly

Model : IQ 7943



Guide To Assembly

Model : IQ 7943

49

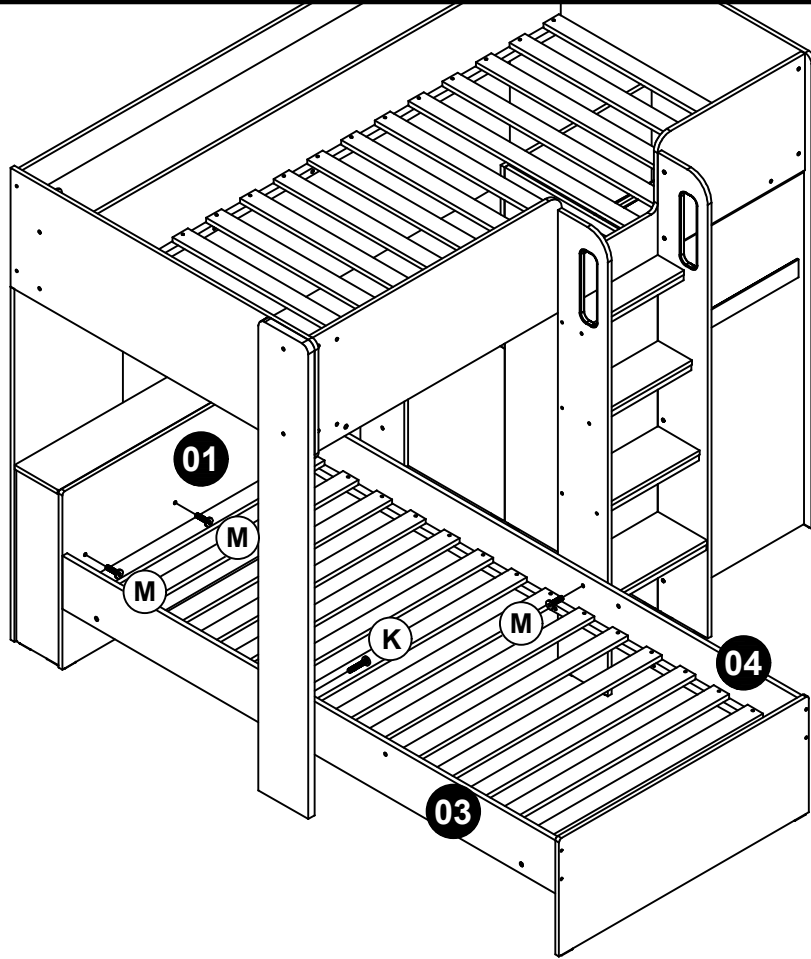


K x 1



M x 3

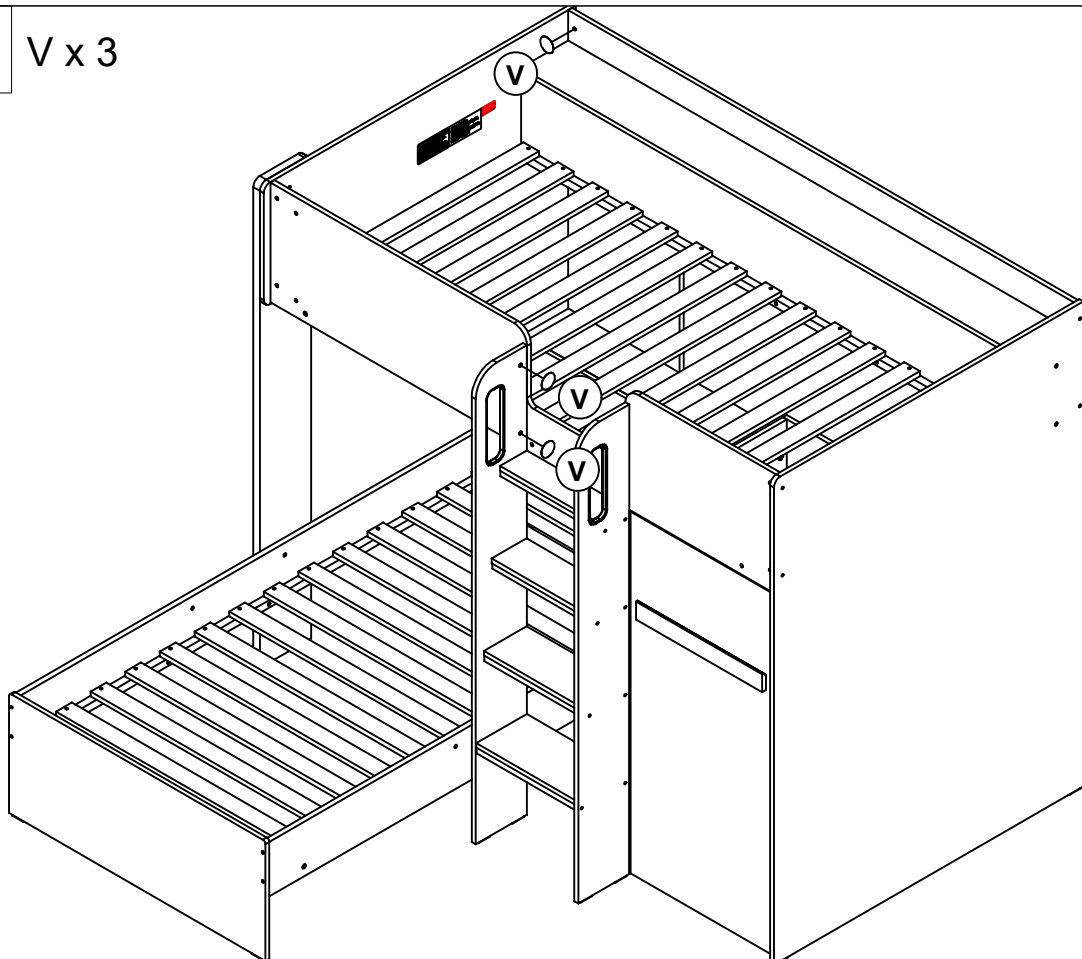
OPTION B



50



V x 3

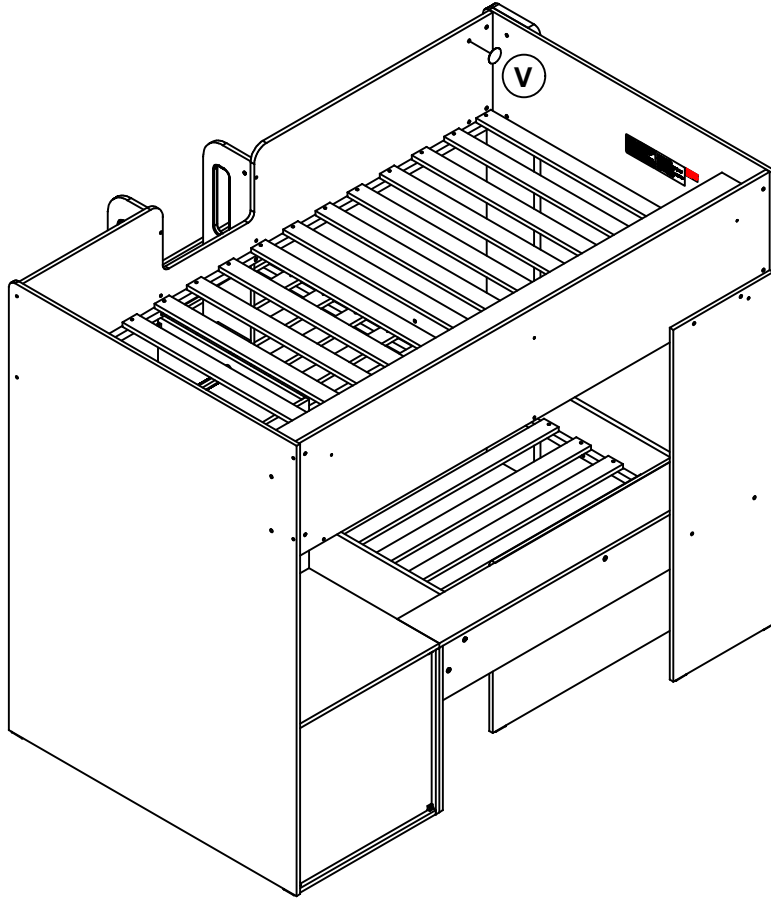


Guide To Assembly

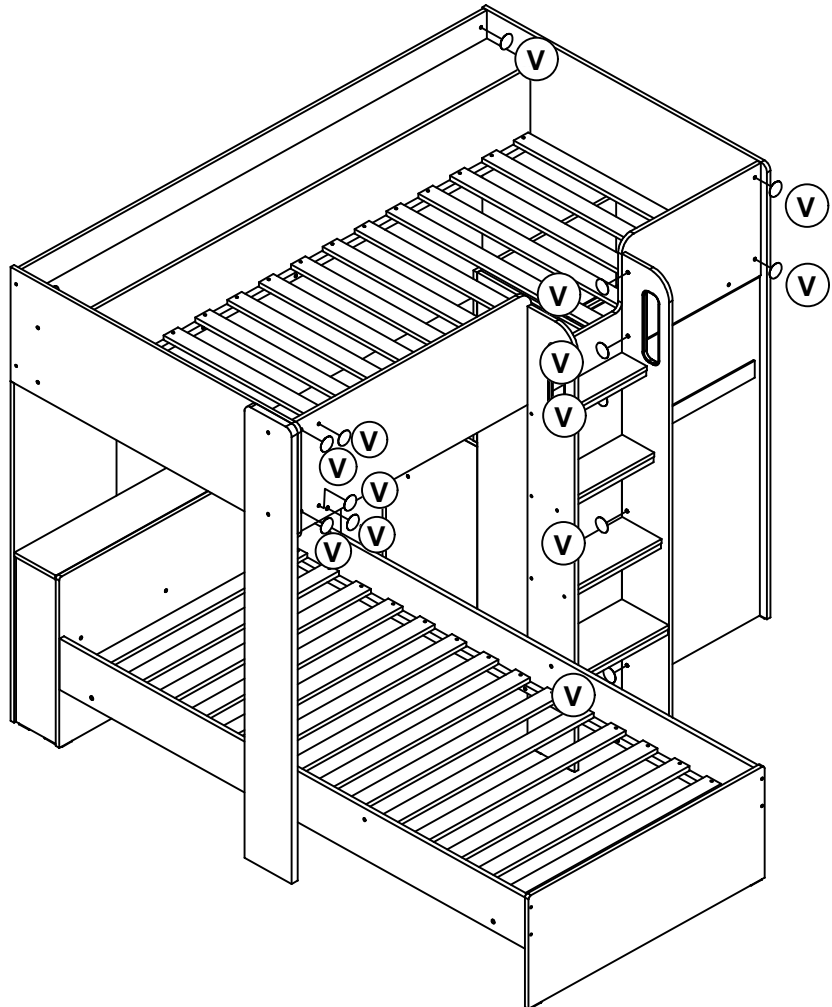
Model : IQ 7943

51 ○ V x 1

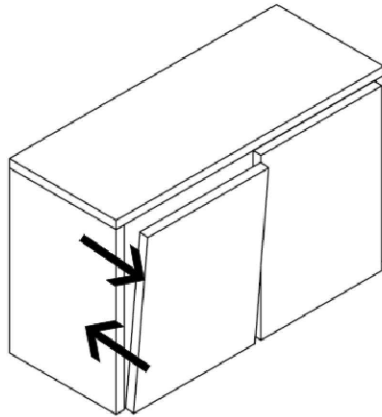
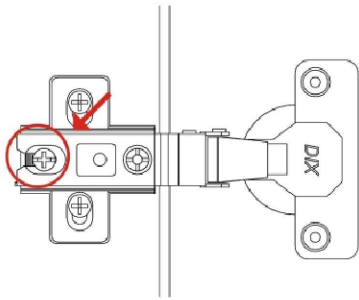
OPTION B



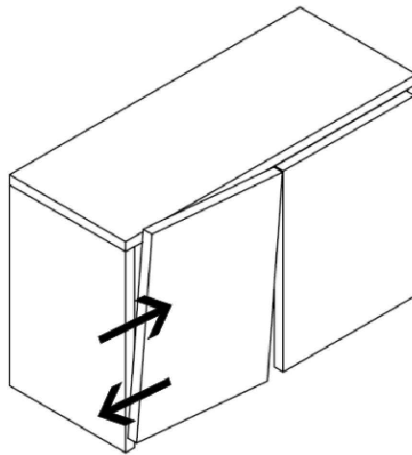
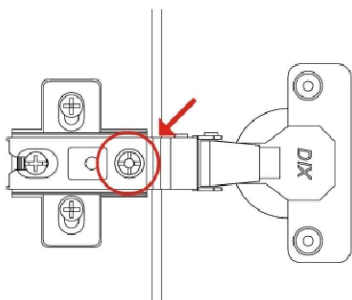
52 ○ V x 13



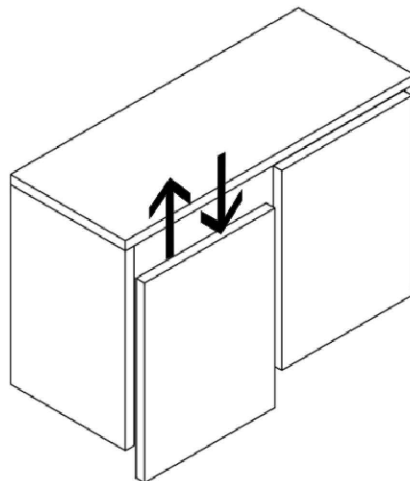
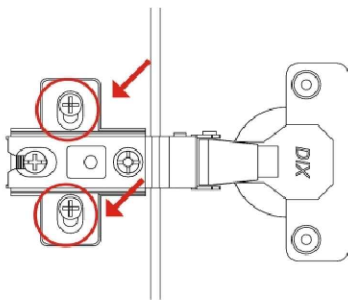
Adjusting Possibilities



Depth Adjustment
after loosening the hinge
arm mounting screw



Lateral Adjustment
by adjusting screw



Vertical Adjustment
via mounting plate (via
slots or, if in two pieces,
via screw)