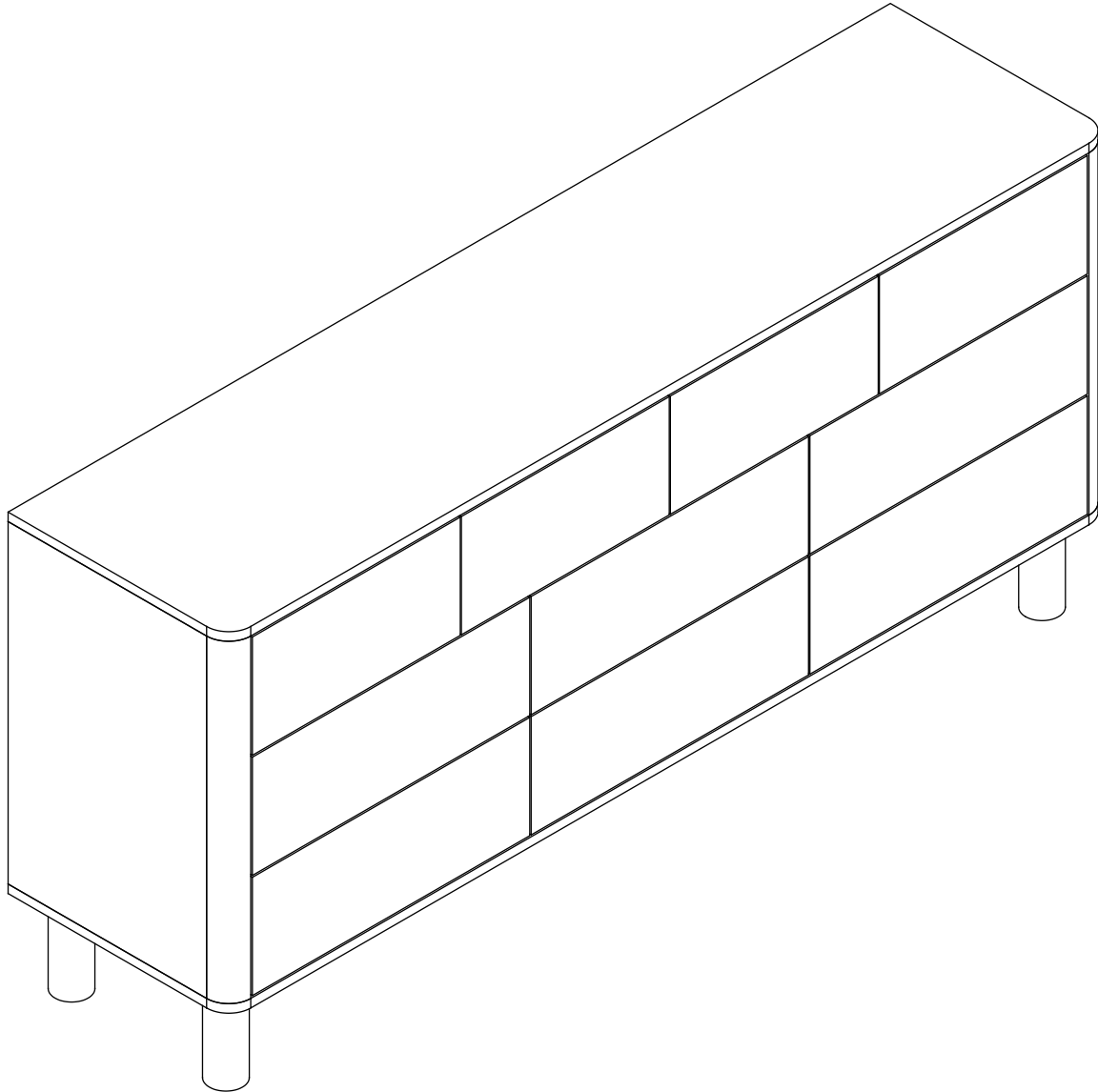


**TEMPLE &
WEBSTER**

**ASSEMBLY
INSTRUCTIONS**



Rupert 10 Drawer Chest

Read first, enjoy forever

Assembly tips

- Assemble your product on a level surface and lay something soft underneath to protect potential floor damage.
- Don't over tighten screws. During assembly we recommend tightening to approximately 70% tightness. Only tighten hardware 100% when fully assembled.
- Keep children away from assembly area as bags and small parts can pose a choking hazard.
- Make sure you have enough space to layout parts before starting. We recommend assembling your item in its final location.
- Do not stand on or put weight on the parts as it may warp or damage product.
- We do not recommend the use of drills or power tools (unless specified) as it may damage the product or hardware. Use hand held screwdrivers only.
- It is best that two people assemble the product as some products may be too heavy for one person. Check this booklet for guidance.

Safety, care and maintenance

- To reduce the risk of injury, always secure storage furniture to walls and/or floors by using tip-over restraints.
- Never let children climb or hang on drawers, doors or shelves.
- To protect your product and your home, we recommend using coasters, placemats, rugs and other protective items.
- Screws may loosen over time. We recommend setting a reminder to tighten up every six months.
- Remove any liquid spills immediately using a clean cloth with mild detergent. Do not use bleach or abrasive cleaners. Always test any cleaning agent in an inconspicuous spot first to know if it is suitable.

Recycling

We hope that you love your product forever, but we know situations change. In the event that you wish to dispose of your product please consider some creative ways to give it a new home:

- If it's still in great shape, sell it on your favourite online marketplace!
- Give it a second life by affording it a fresh coat of paint.
- If you must dispose of it, why not donate it to your local charity or shelter for someone else to enjoy.

Please dispose of this product and packaging responsibly and recycle where possible. Scan the QR code to read more about Temple and Webster's commitment to a more sustainable future.



Important safety instructions

DANGER!

Children have died from furniture tip over.

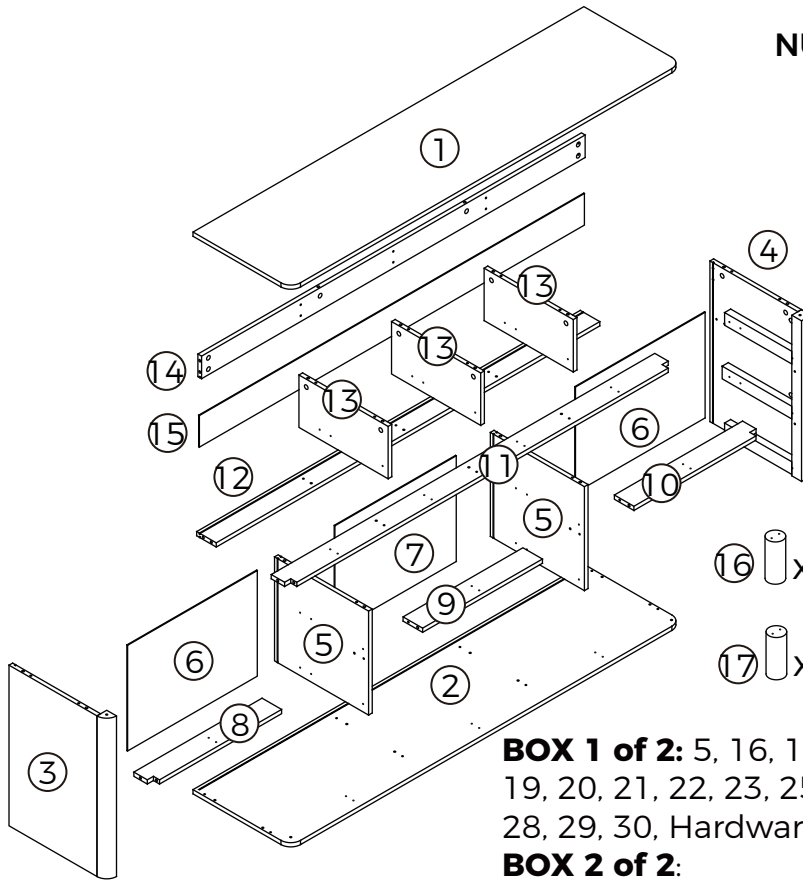
Toppling Hazard Warning

- ALWAYS secure this furniture with an anchor device
- For safety reasons, we recommend you follow the provided instructions
- When installed properly, the provided hardware may prevent the unit from tipping over unexpectedly.
- Never let children climb or hang on drawers, doors or shelves.
- NEVER open more than one drawer at a time
- Place heavy items down low
- NEVER place a television on this furniture
- For advice on suitable fastening devices, contact your local specialized dealer



Parts List

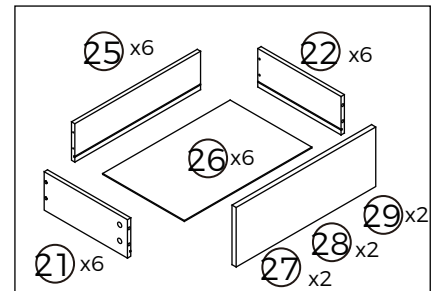
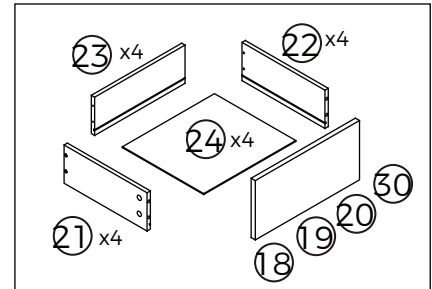
Rupert 10 Drawer Chest
FJRUCDOO



NUMBER OF PEOPLE REQUIRED FOR ASSEMBLY:

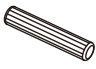

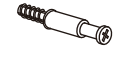













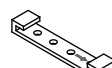
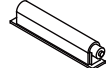






2

TOOLS REQUIRED FOR ASSEMBLY



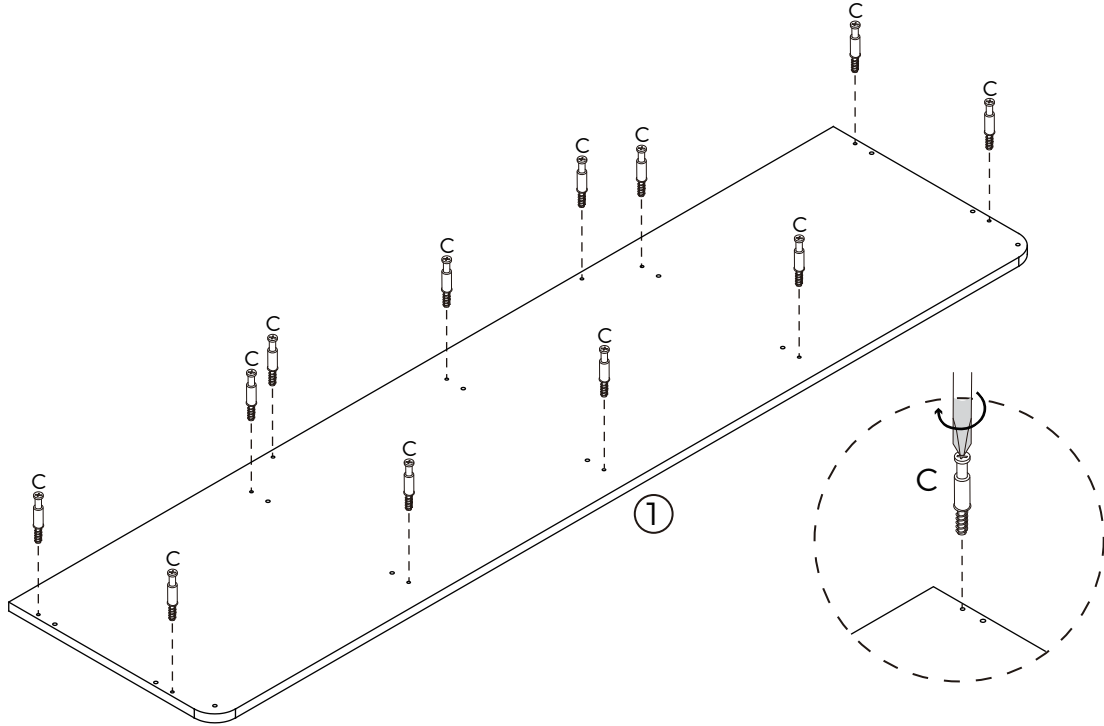
BOX 1 of 2: 5, 16, 17, 18, 19, 20, 21, 22, 23, 25, 27, 28, 29, 30, Hardware
BOX 2 of 2: 1, 2, 3, 4, 6, 7, 8, 9, 10, 11, 12, 13, 14, 15, 24, 26

Hardware

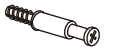
A  Dowels x32	B  Long Screws x32	C  Cam Bolts x76	D  Cam Nuts x76	E  Small Screws x120	F  Screws x40	G  Felt Pads x4	H  Screws x24
I  Brackets x6	J  Wedges x8	K  Wedge Screws x8	L  Safety Straps x2	M  Screws x2	N  Wall Plugs x2	O  Wall Screws x2	P  Washers x4
Q  Brackets x10	R  Covers x10	S  Adjusters x2	T  CL Runner Tracks x10	U  CR Runner Tracks x10	V  DL Runners x10	W  DR Runners x10	X  Long Dowels x2

1.

Attach 12 x Cam Bolts (C) to Panel [1].



You will need



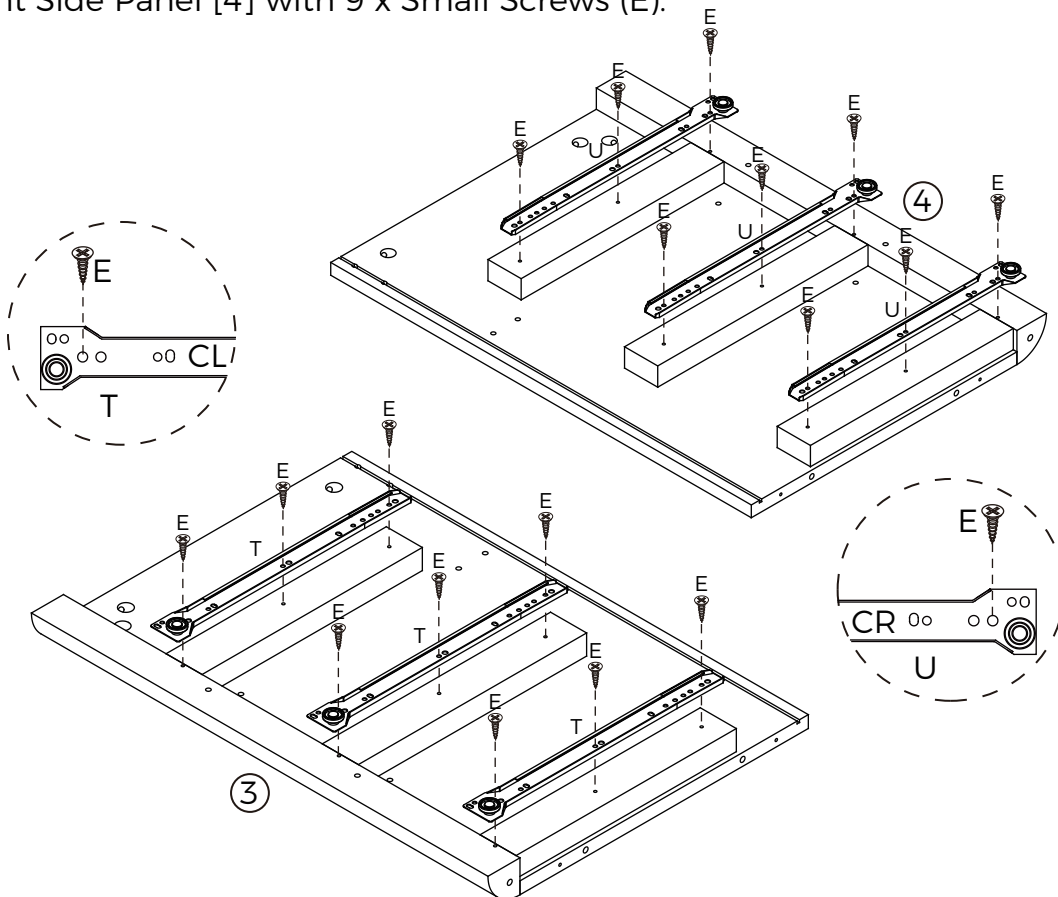
12 Cam Bolts



Phillips Head Screwdriver

2.

Attach 3 x CL Runner Tracks (T) To Left Side Panel [3] with 9 x Small Screws (E). Attach 3 x CR Runner Tracks (U) To Right Side Panel [4] with 9 x Small Screws (E).



You will need



3 CL Runner Tracks



3 CR Runner Tracks



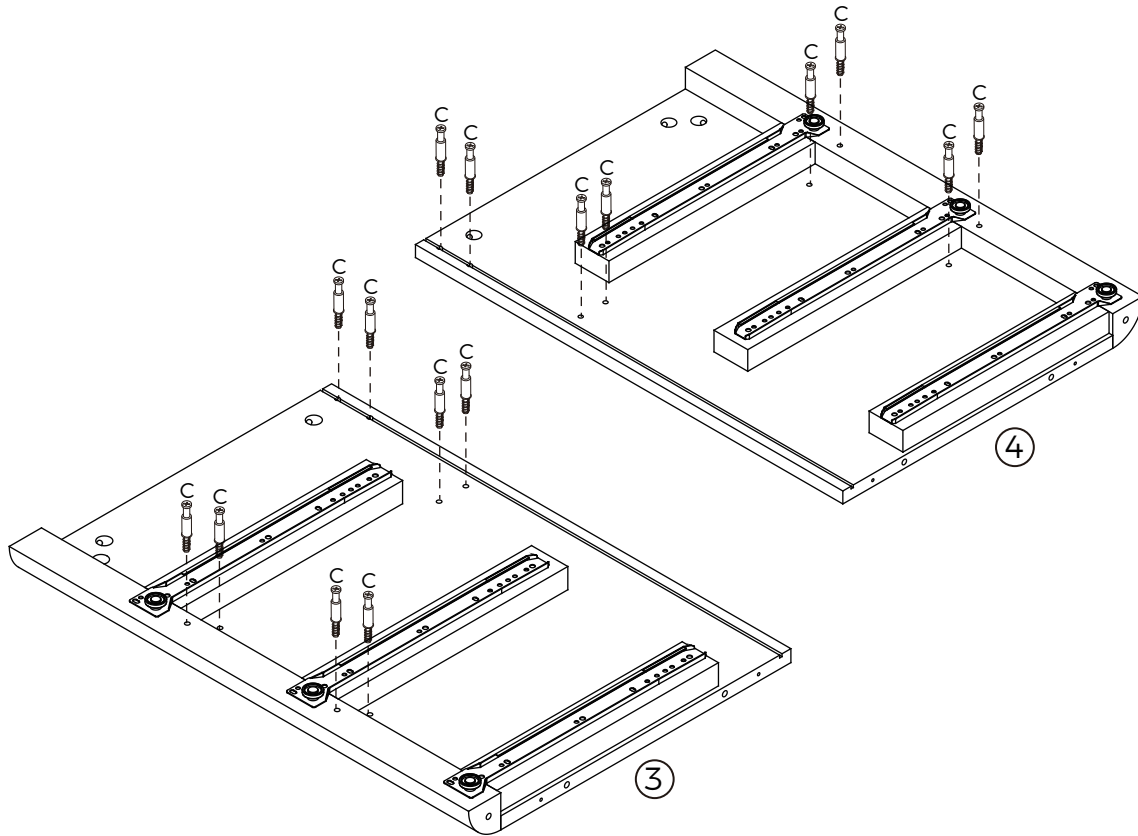
18 Small Screws



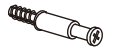
Phillips Head Screwdriver

3.

Attach 16 x Cam Bolts (C) to Left & Right Side Panels [3 & 4].



You will need



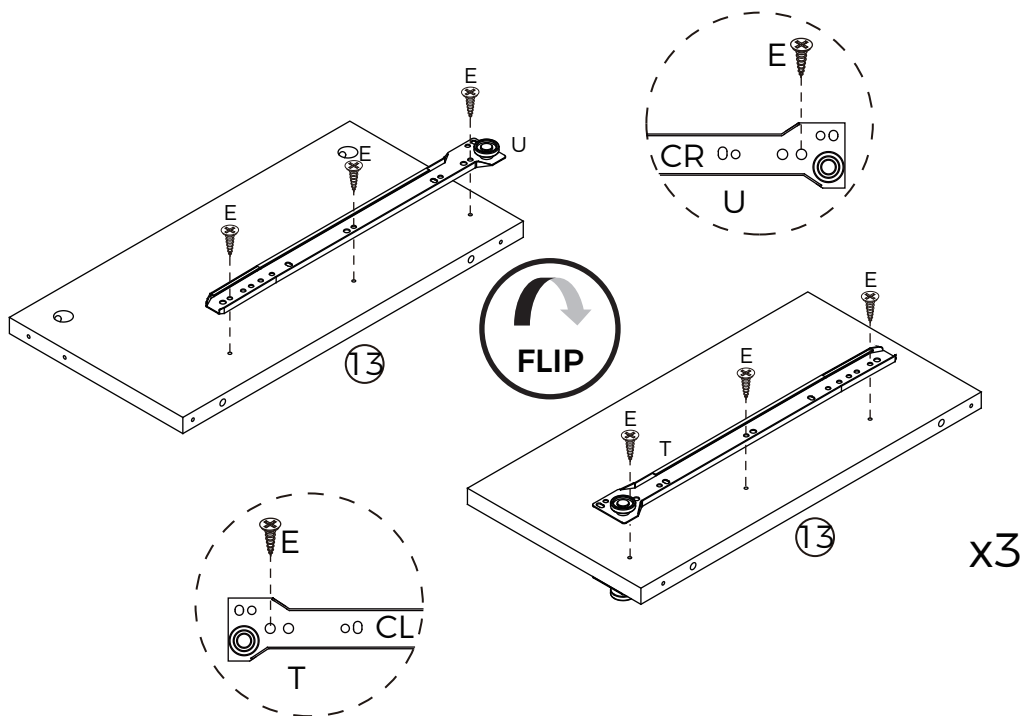
16 Cam Bolts



Phillips Head Screwdriver

4.

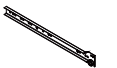
Attach 3 x CL Runner Tracks (T) and 3 x CR Runner Tracks (U) To Dividers [13] with 18 x Small Screws (E).



You will need



3 CL Runner Tracks



3 CR Runner Tracks



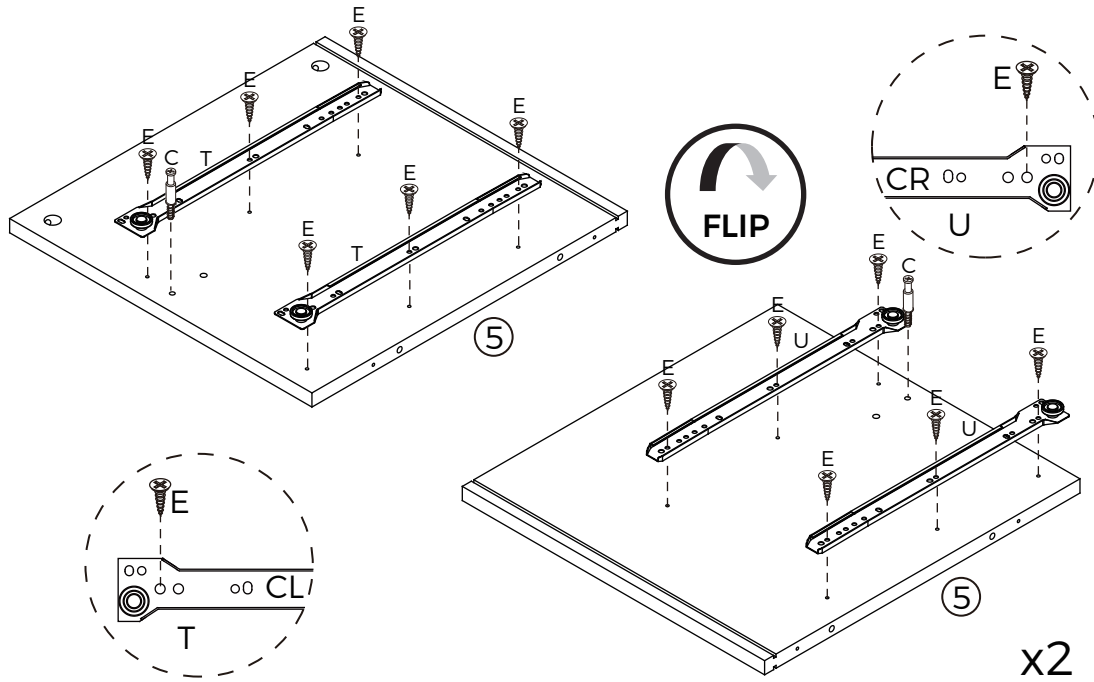
18 Small Screws



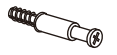
Phillips Head Screwdriver

5.

Attach 4 x Cam Bolts (C) to Dividers [5].
 Attach 4 x CL Runner Tracks (T) and 4 x CR Runner Tracks (U) To Dividers [5] with 24 x Small Screws (E).



You will need



4 Cam Bolts



4 CL Runner Tracks



4 CR Runner Tracks



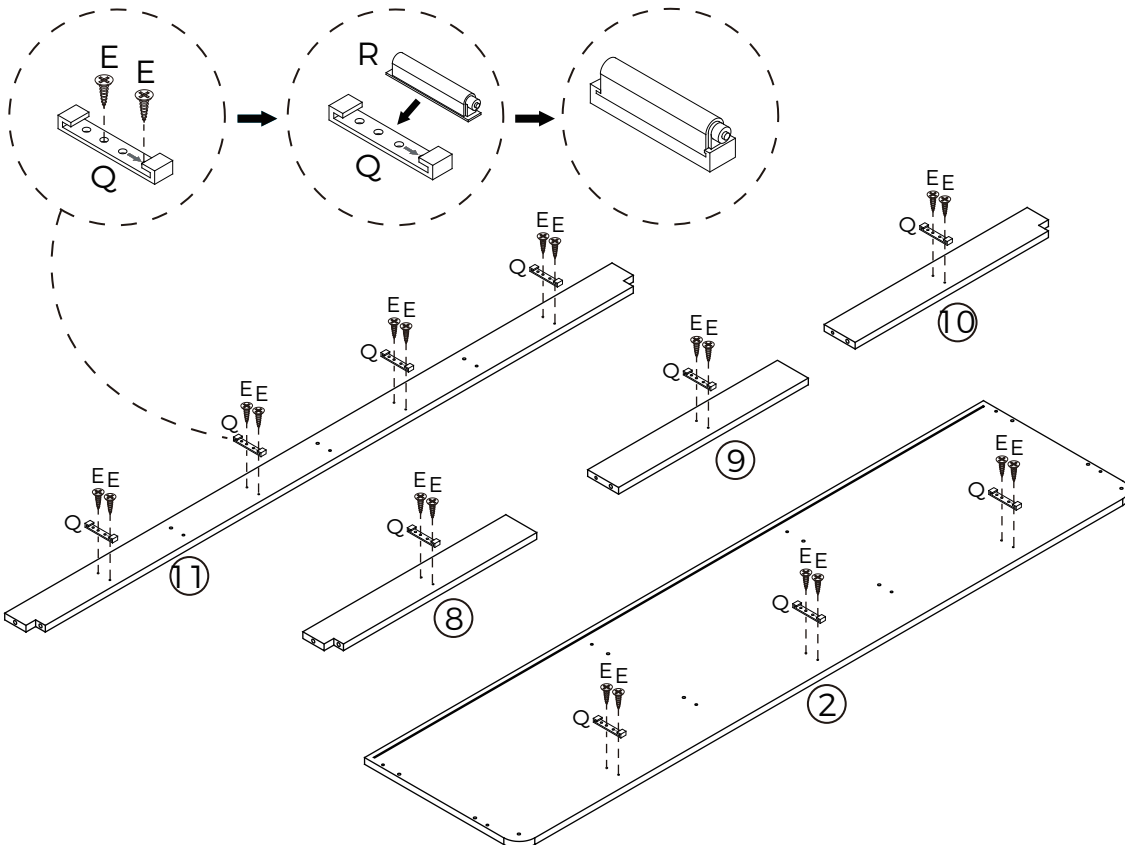
24 Small Screws



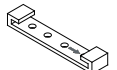
Phillips Head Screwdriver

6.

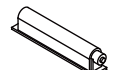
Attach 10 x Brackets (Q) to Bottom Panel [2] and Rails [8 & 9 & 10 & 11] and secure with 20 x Small Screws (E). Place 10 x Covers (R) over the Brackets (Q).



You will need



10 Brackets



10 Covers



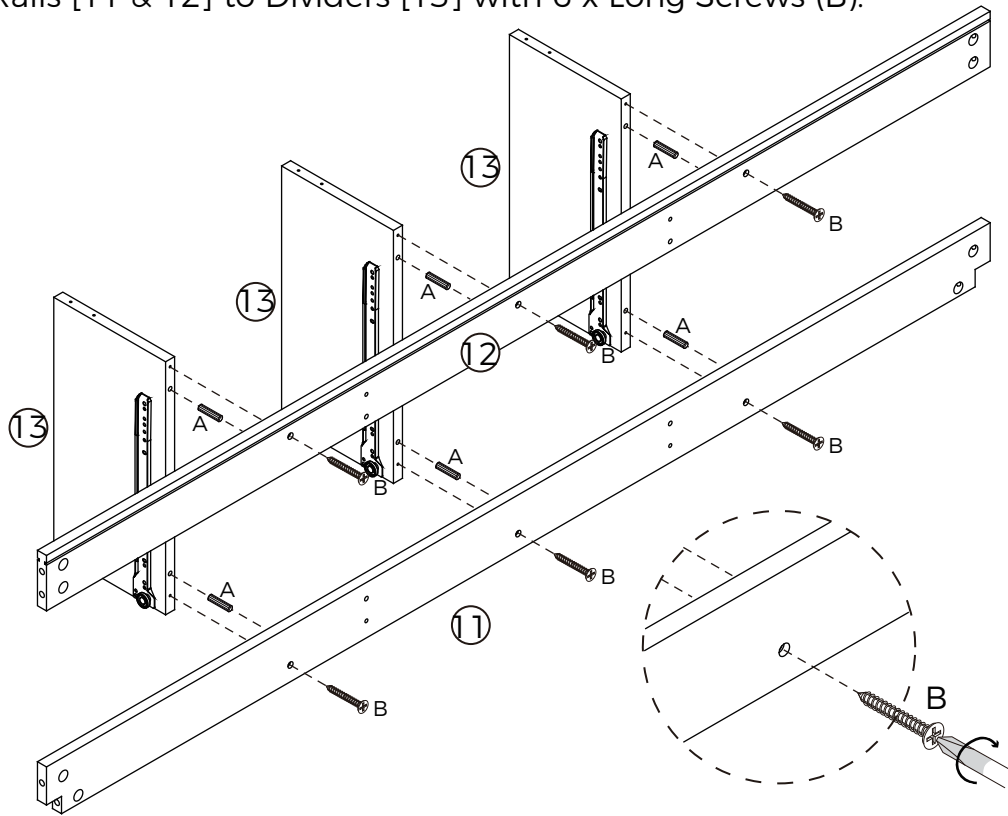
20 Small Screws



Phillips Head Screwdriver

7.

Insert 6 x Dowels (A) to Dividers [13].
Attach Rails [11 & 12] to Dividers [13] with 6 x Long Screws (B).



You will need



6 Long Screws



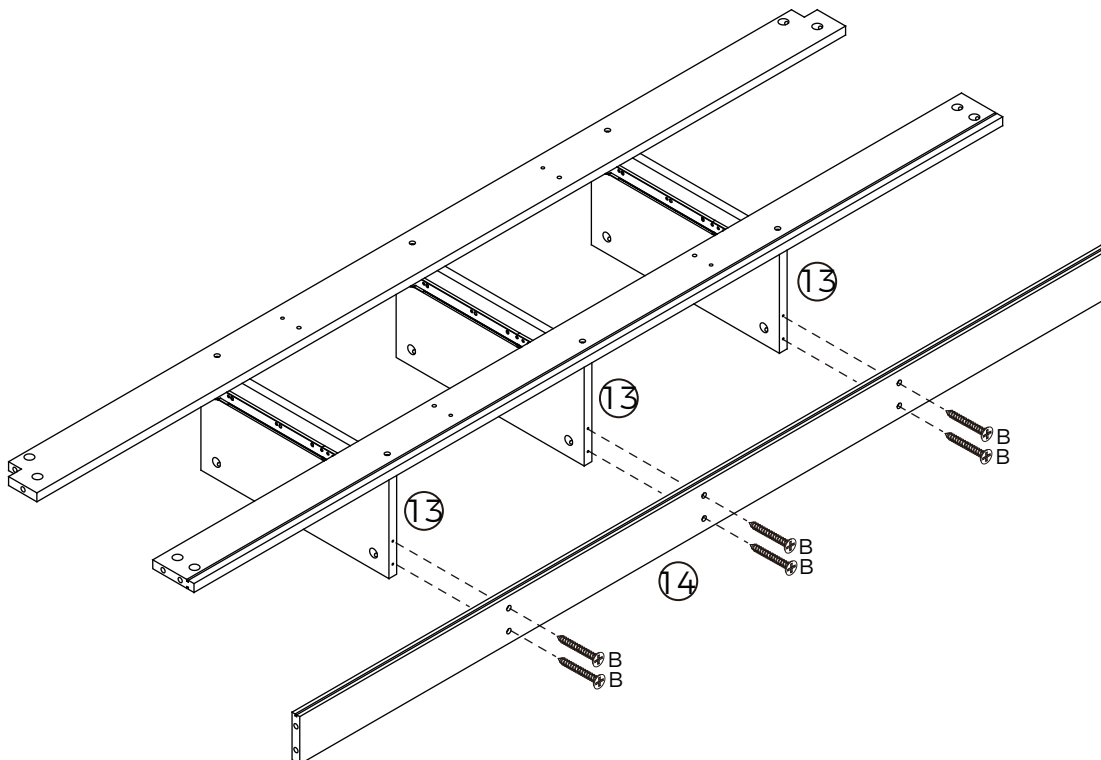
6 Dowels



Phillips Head
Screwdriver

8.

Attach Rail [14] to Dividers [13] with 6 x Long Screws (B).



You will need



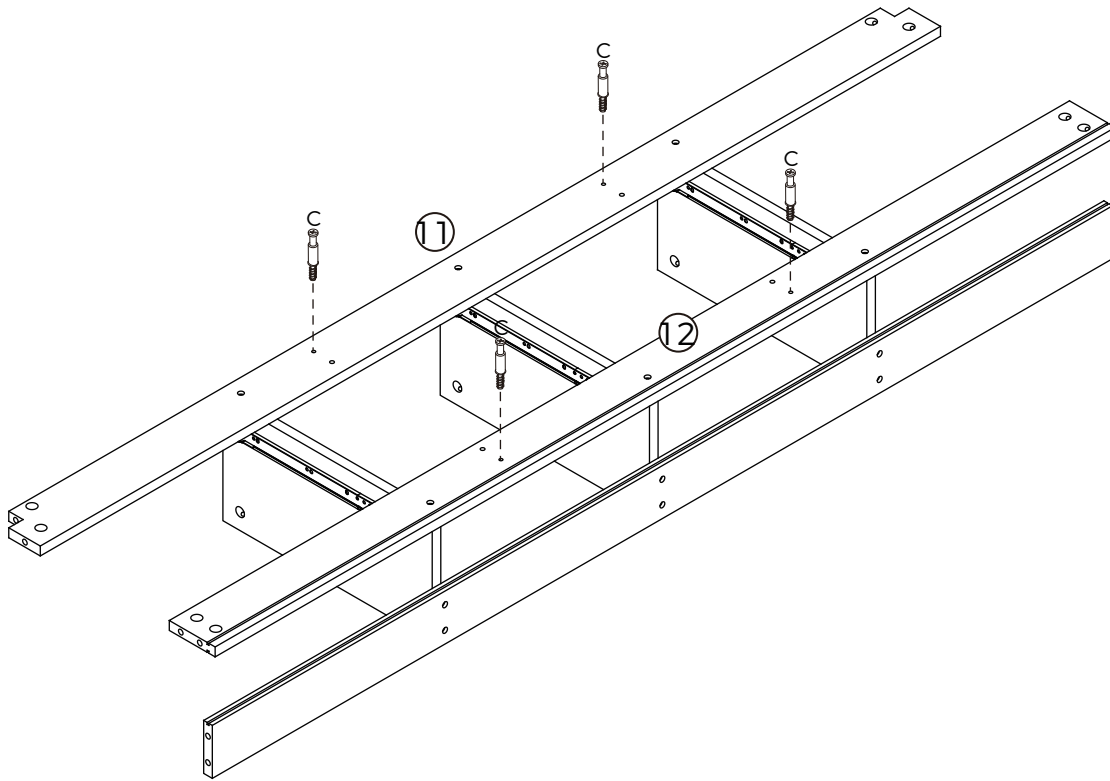
6 Long Screws



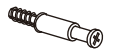
Phillips Head
Screwdriver

9.

Attach 4 x Cam Bolts (C) to Rails [11 & 12].



You will need



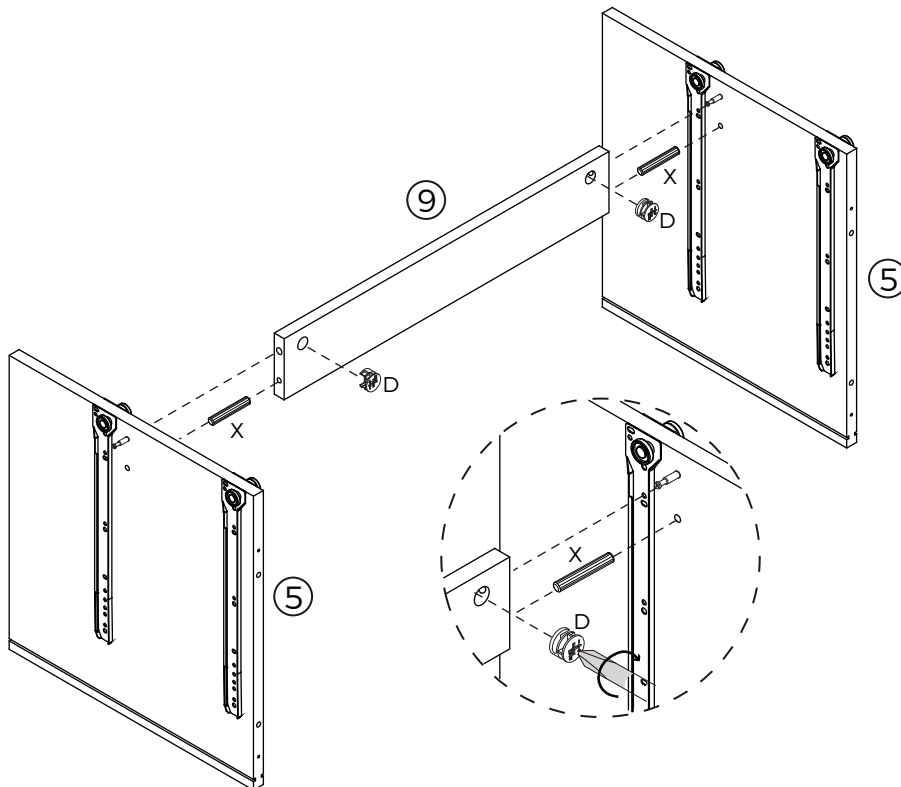
4 Cam Bolts



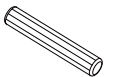
Phillips Head Screwdriver

10.

Insert 2 x Long Dowels (X) and 2 x Cam Nuts (D) into Rail [9].
Rotate the cam nuts so the arrows point towards the incoming cam bolts.
Attach Dividers [5] to Rail [9].



You will need



2 Long Dowels



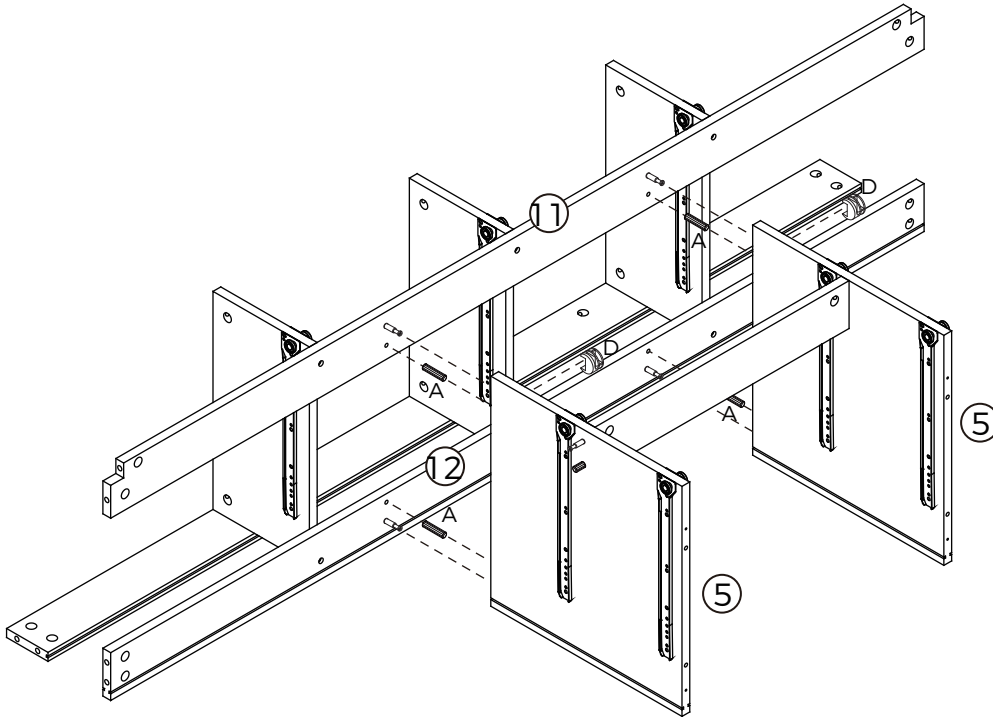
2 Cam Nuts



Phillips Head Screwdriver

11.

Insert 4 x Dowels (A) to Rails [11 & 12]. Insert 4 x Cam Nuts (D) into Divider [5]. Rotate the cam nuts so the arrows point towards the incoming cam bolts. Attach Dividers [5] to Rails [11 & 12].



You will need



4 Dowels



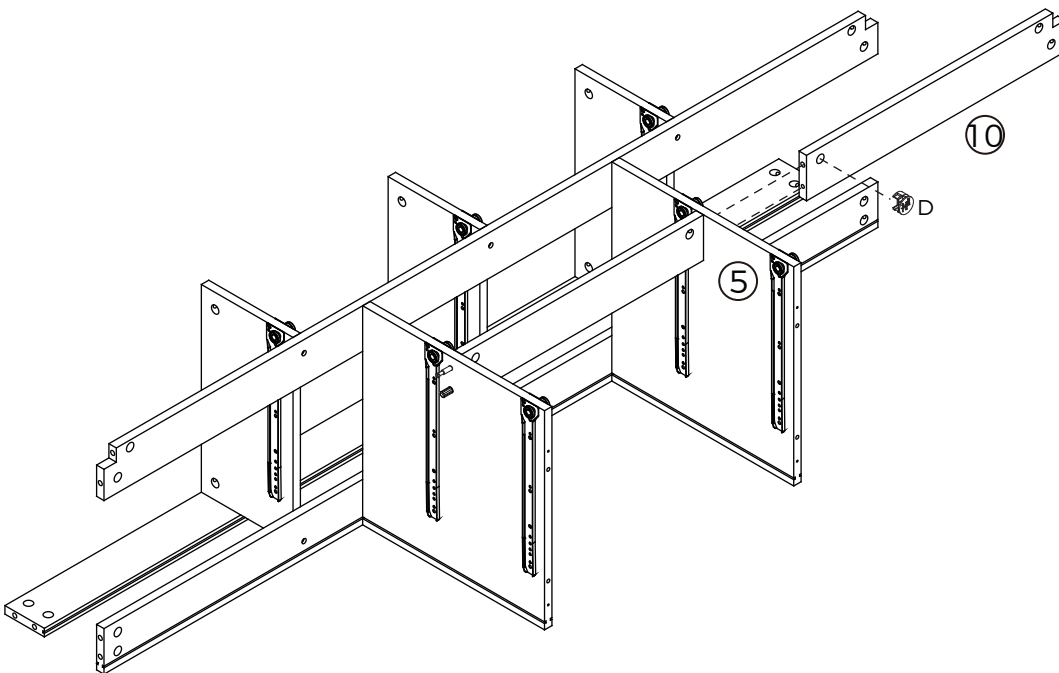
4 Cam Nuts



Phillips Head
Screwdriver

12.

Insert 1 x Cam Nut (D) into Rail [10]. Rotate the cam nuts so the arrows point towards the incoming cam bolts. Attach Rail [10] to Divider [5].



You will need



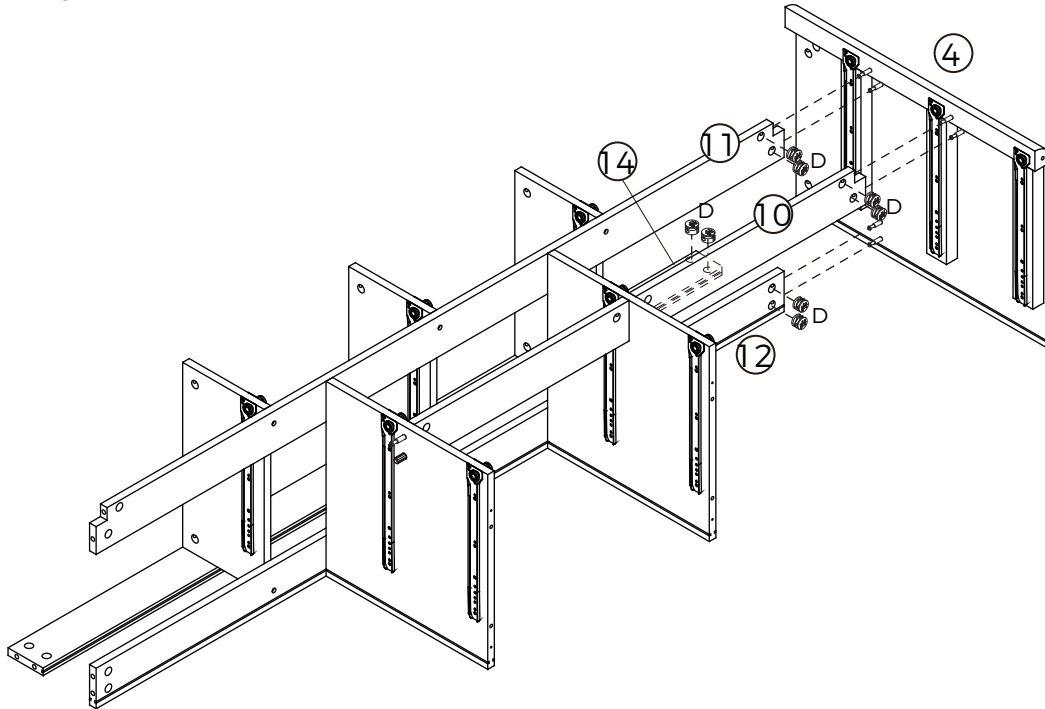
1 Cam Nut



Phillips Head
Screwdriver

13.

Insert 8 x Cam Nuts (D) into Rails [10 & 11 & 12 & 14]. Rotate the cam nuts so the arrows point towards the incoming cam bolts. Attach Right Side Panel [4] to Rails [10 & 11 & 12 & 14].



You will need



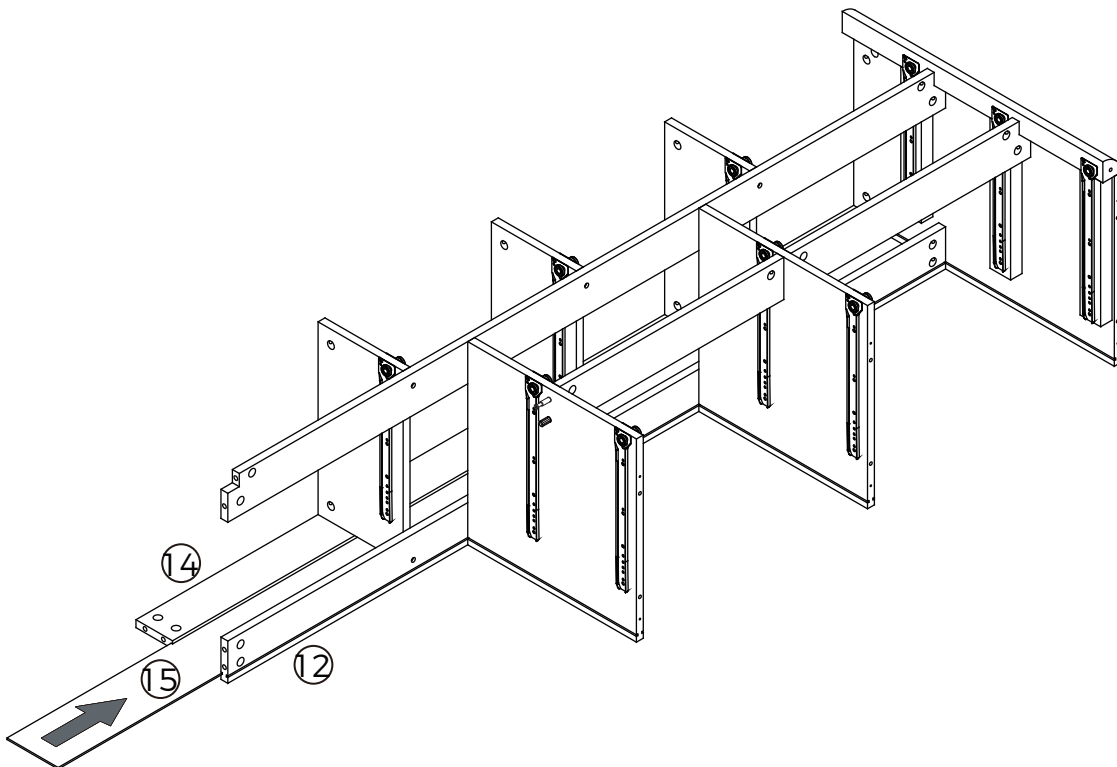
8 Cam Nuts



Phillips Head Screwdriver

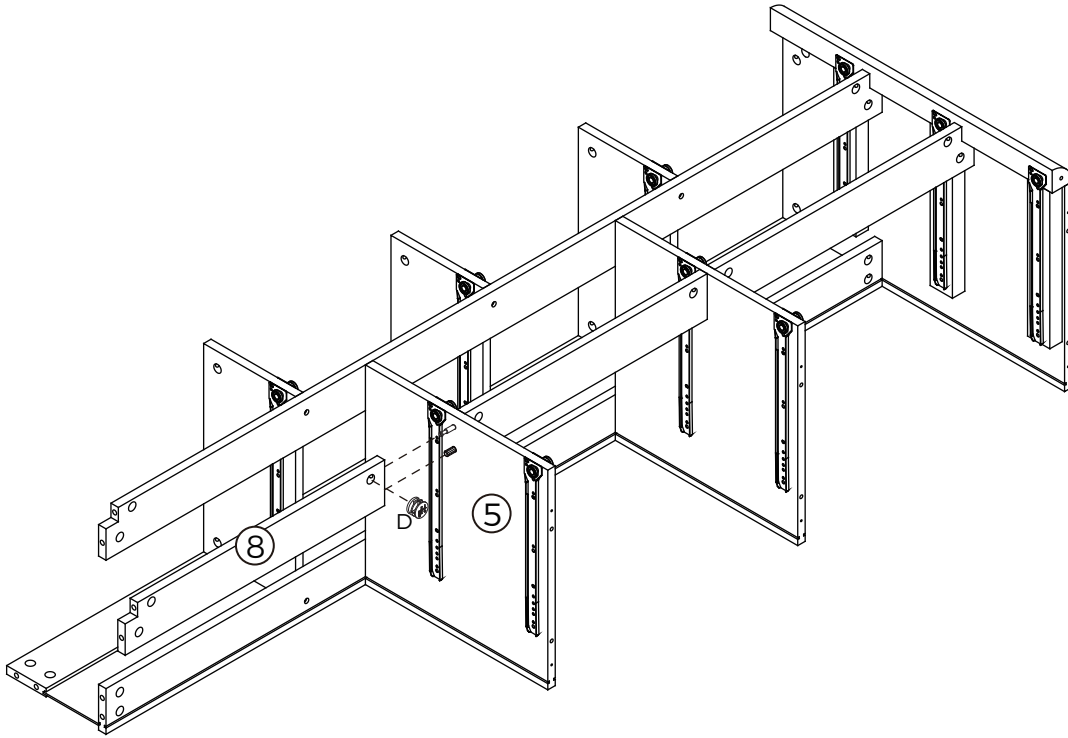
14.

Insert Back Panel [15] into the grooves of Panel [14 & 12].



15.

Insert 1 x Cam Nut (D) into Rail [8]. Rotate the cam nuts so the arrows point towards the incoming cam bolts. Attach Rail [8] to Divider [5].



You will need



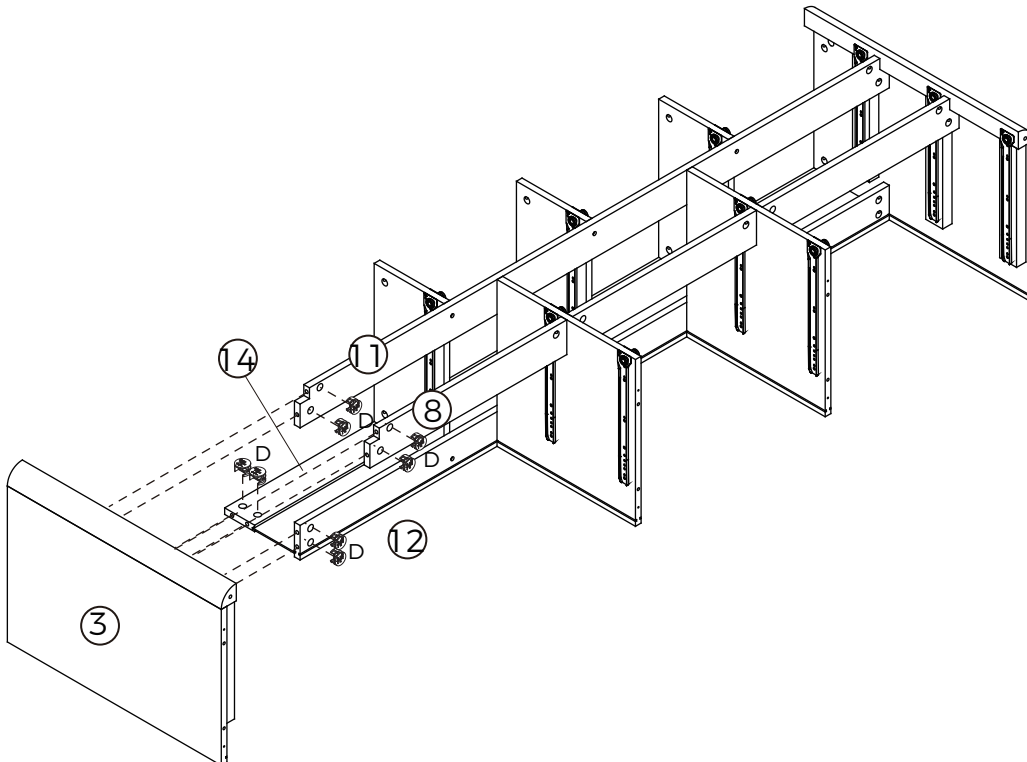
1 Cam Nut



Phillips Head
Screwdriver

16.

Insert 8 x Cam Nuts (D) into Rails [8 & 11 & 12 & 14]. Rotate the cam nuts so the arrows point towards the incoming cam bolts. Attach Left Side Panel [3] to Rails [8 & 11 & 12 & 14].



You will need



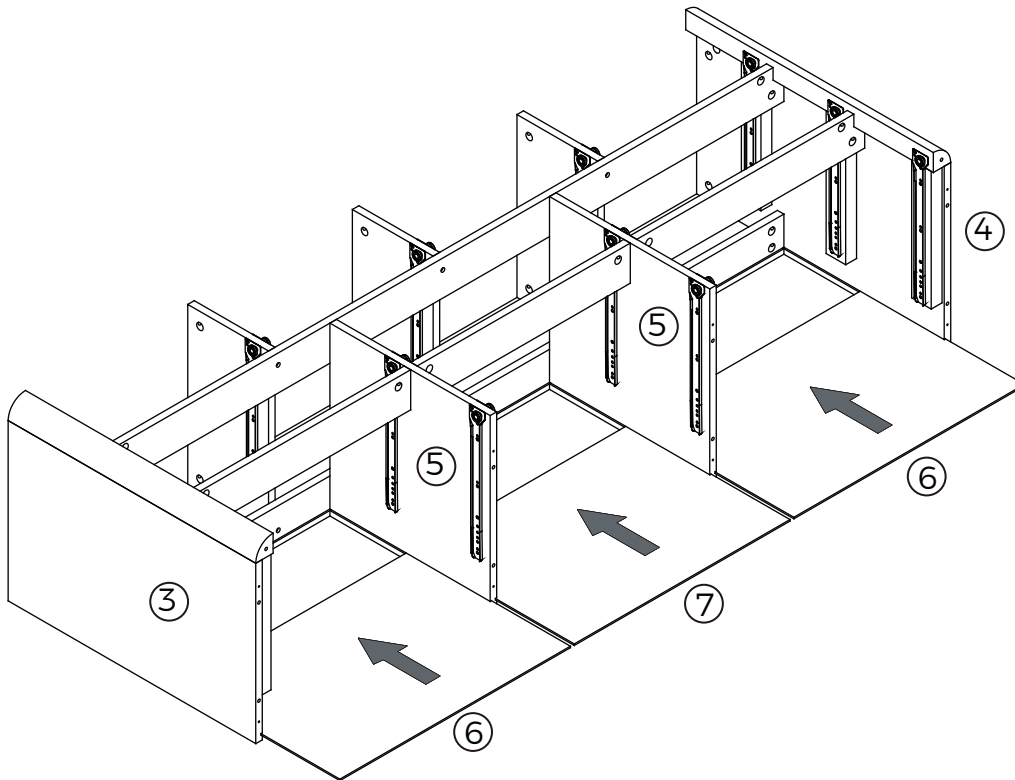
8 Cam Nuts



Phillips Head
Screwdriver

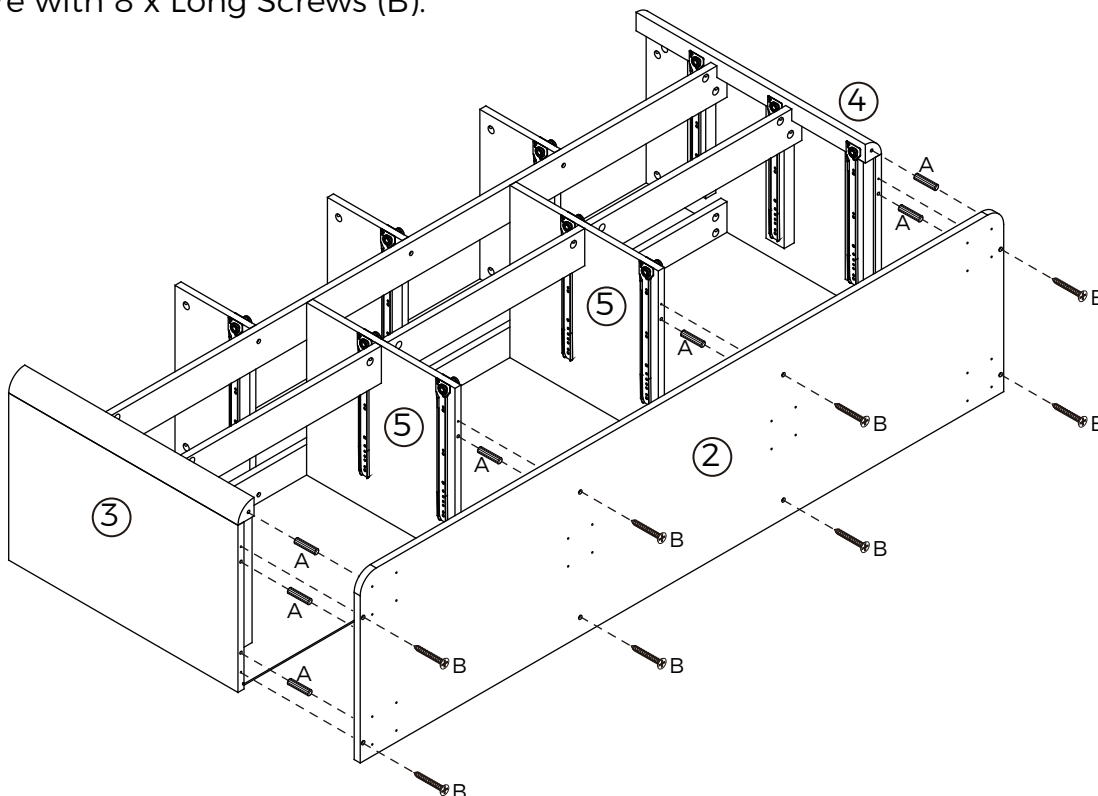
17.

Insert Back Panels [6 & 7 & 8] into the grooves of Left & Right Side Panels [3 & 4] and Dividers [5].



18.

Insert 10 x Dowels (A) to Left & Right Side Panels [3 & 4] and Dividers [5]. Attach Panel [2] to Left & Right Side Panels [3 & 4] and Dividers [5] secure with 8 x Long Screws (B).



You will need



10 Dowels



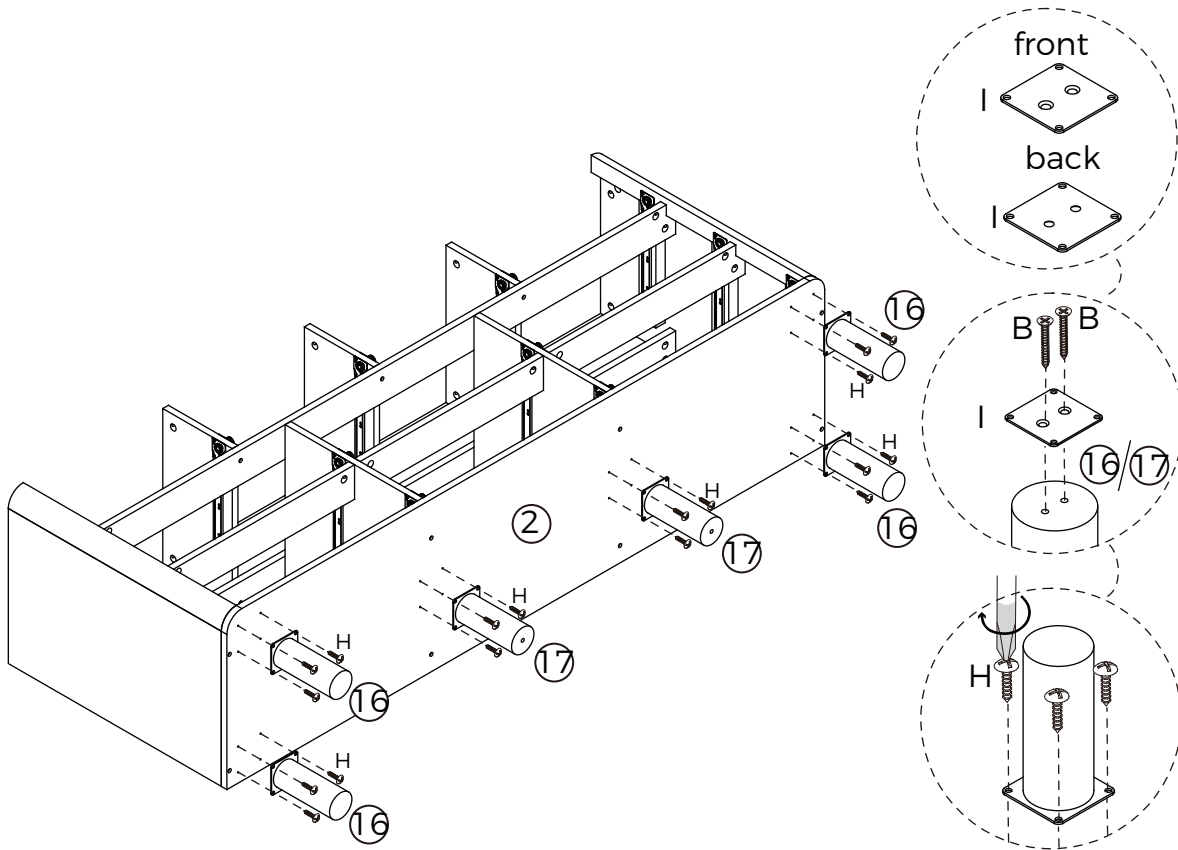
8 Long Screws



Phillips Head Screwdriver

19.

Attach 6 x Brackets (I) to Legs [16 & 17] secure with 12 x Long Screws (B).
 Attach 6 x Legs [16 & 17] to Bottom Panel [12] secure with 24 x Screws (H).



You will need


12 Long Screws

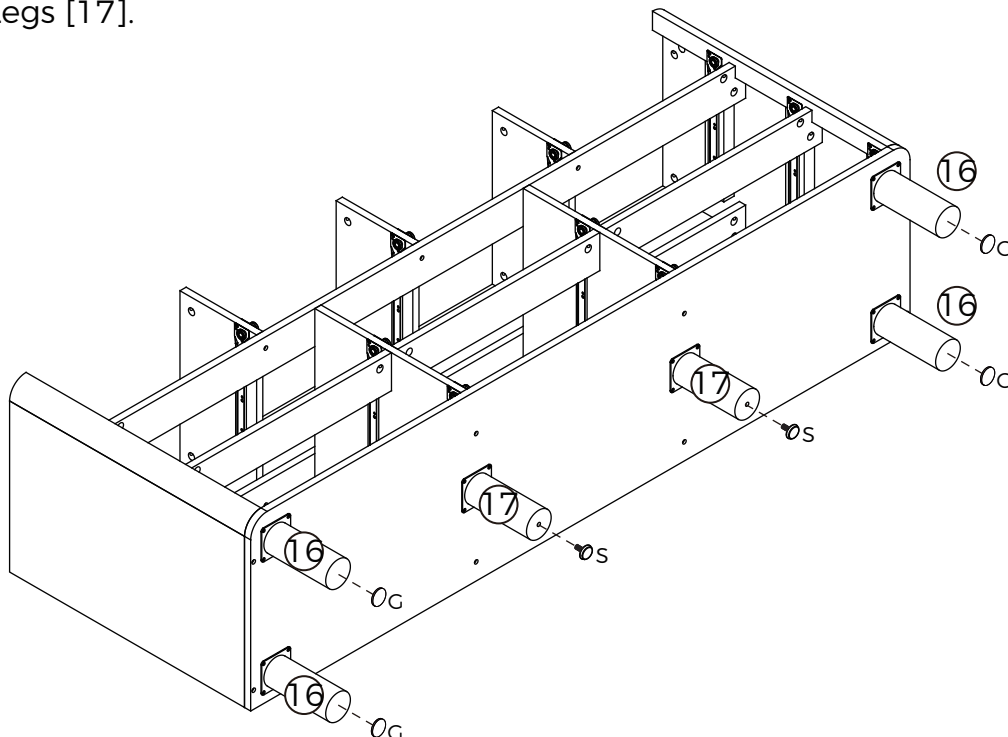

24 Screws


6 Brackets


Phillips Head Screwdriver

20.

Attach 4 x Felt Pads (G) to end of Legs [16]. Attach 2 x Adjusters (S) to end of Legs [17].



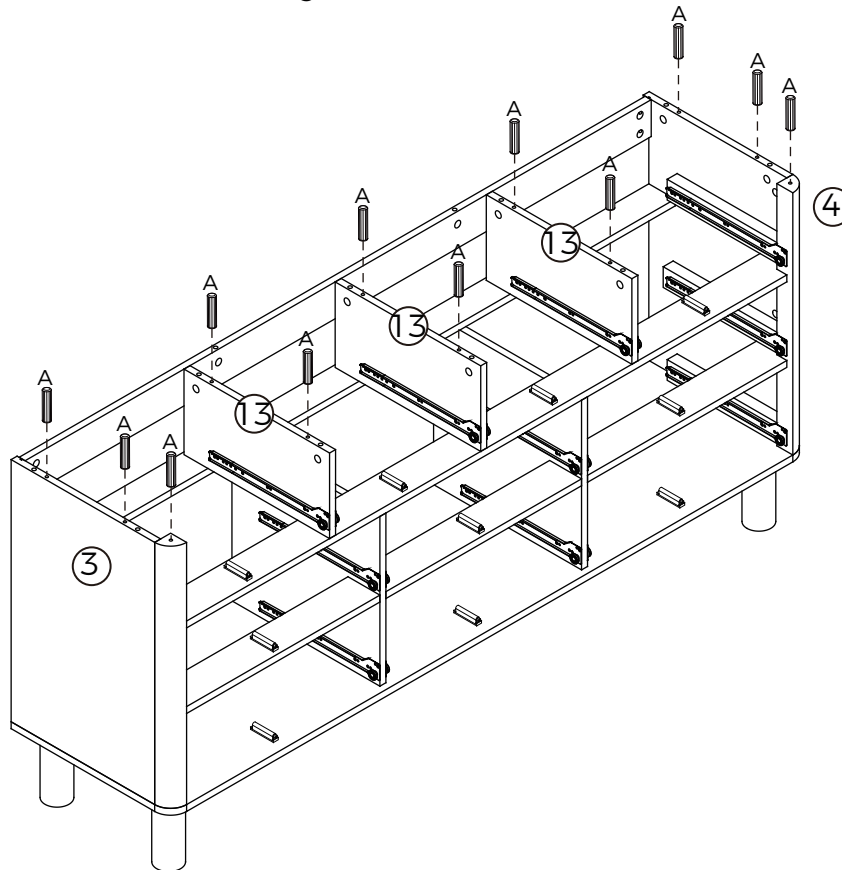
You will need


4 Felt Pads


2 Adjusters

21.

Insert 12 x Dowels (A) to Left & Right Side Panels [3 & 4] and Dividers [13].



You will need



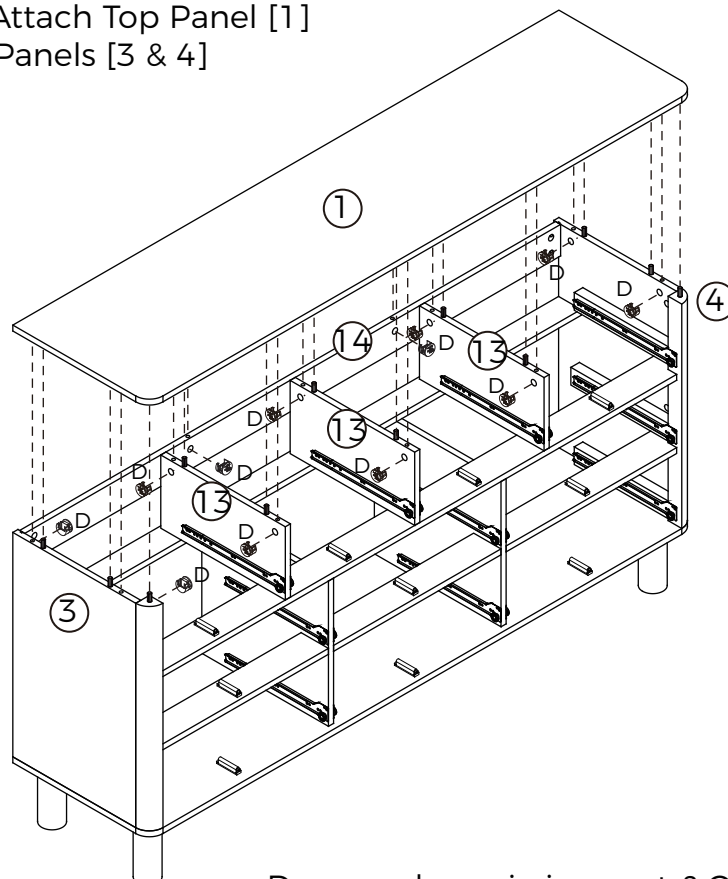
12 Dowels



Phillips Head
Screwdriver

22.

Insert 12 x Cam Nuts (D) into Rail [14], Left Side Panels [3 & 4] and Dividers [13]. Rotate the cam nuts so the arrows point towards the incoming cam bolts. Attach Top Panel [1] to Rail [14], Left Side Panels [3 & 4] and Dividers [13].



You will need



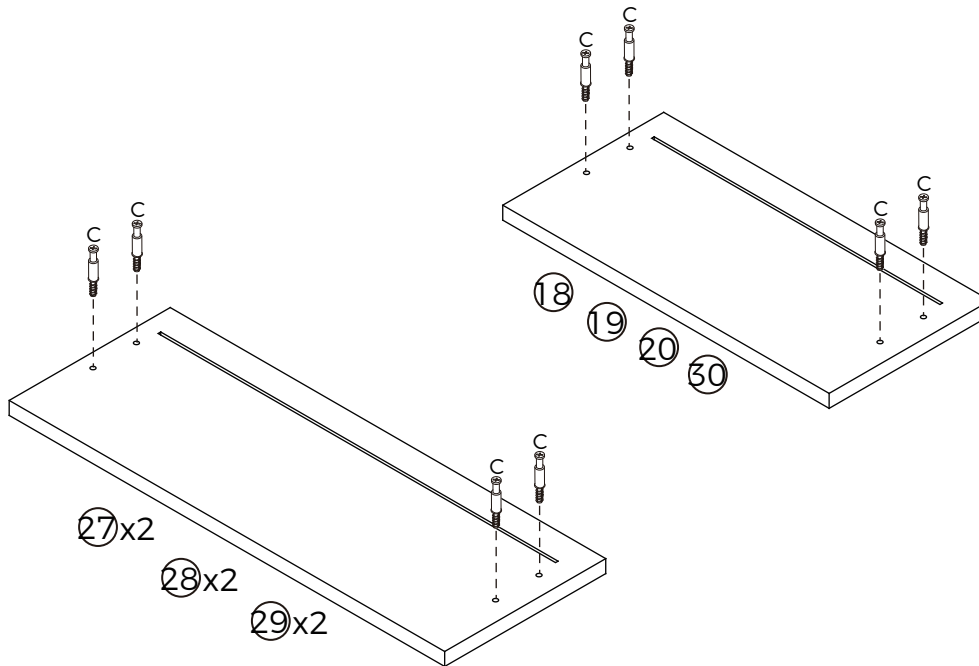
12 Cam Nuts



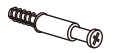
Phillips Head
Screwdriver

23.

Attach 40 x Cam Bolts (C) to Drawer Fronts [18 & 19 & 20 & 27 & 28 & 29 & 30].



You will need



40 Cam Bolts

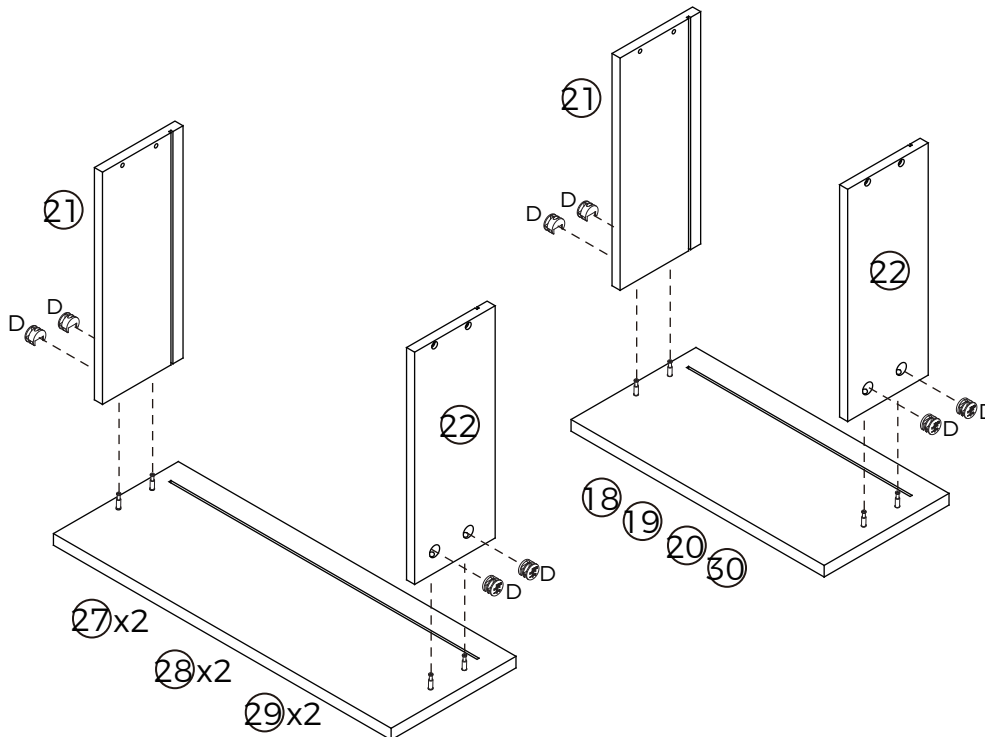


Phillips Head Screwdriver

Drawer x10

24.

Insert 40 x Cam Nuts (D) into Left & Right Drawer Sides [21 & 22]. Rotate the cam nuts so the arrows point towards the incoming cam bolts. Attach Left & Right Drawer Sides [21 & 22] to Drawer Fronts [18 & 19 & 20 & 27 & 28 & 29 & 30].



You will need



40 Cam Nuts

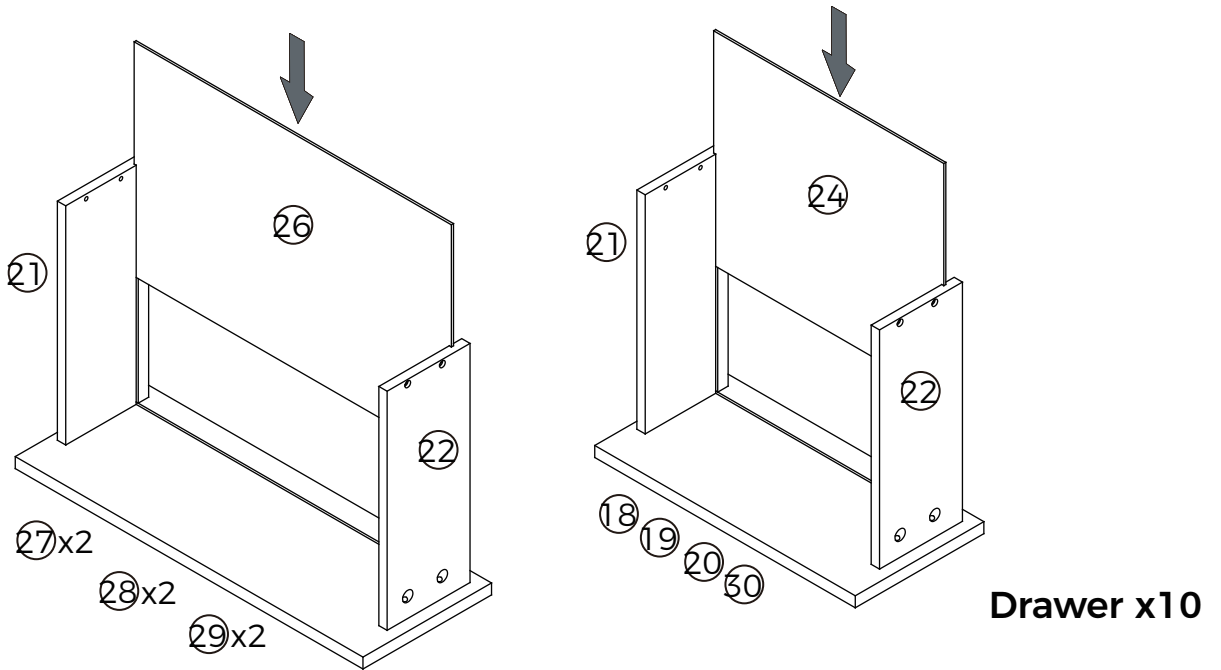


Phillips Head Screwdriver

Drawer x10

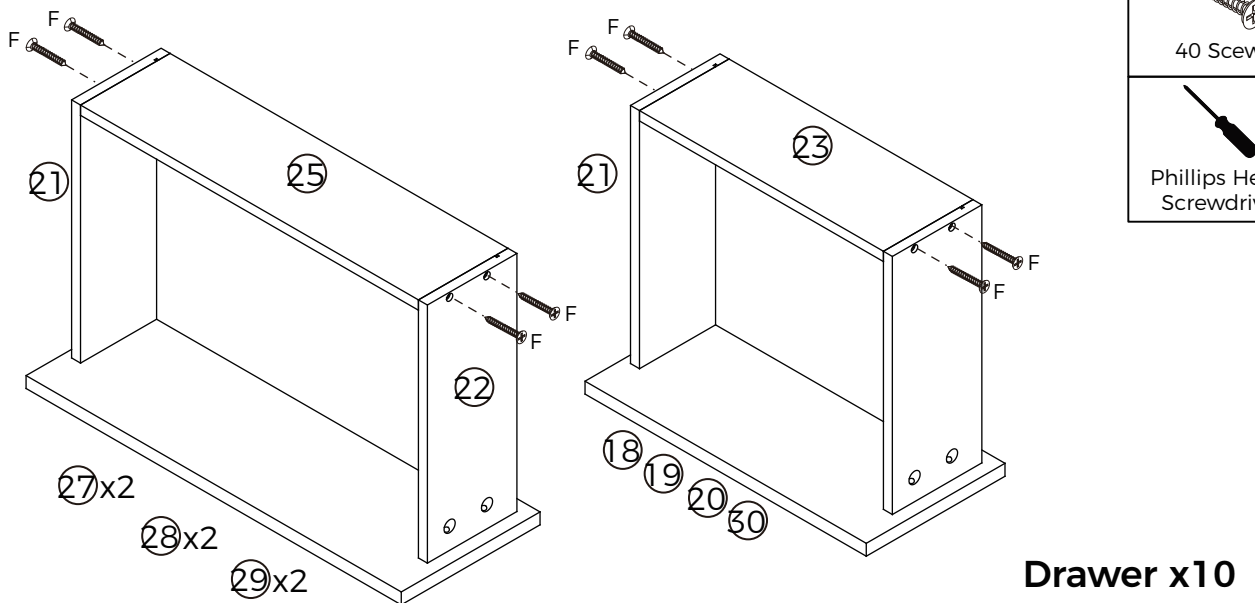
25.

Slide Drawer Bases [24 & 26] into the grooves of Left & Right Drawer Sides [21 & 22].

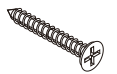


26.

Attach Drawer Back [23 & 25] to Left & Right Drawer Sides [21 & 22] with 40 x Screws (F).



You will need



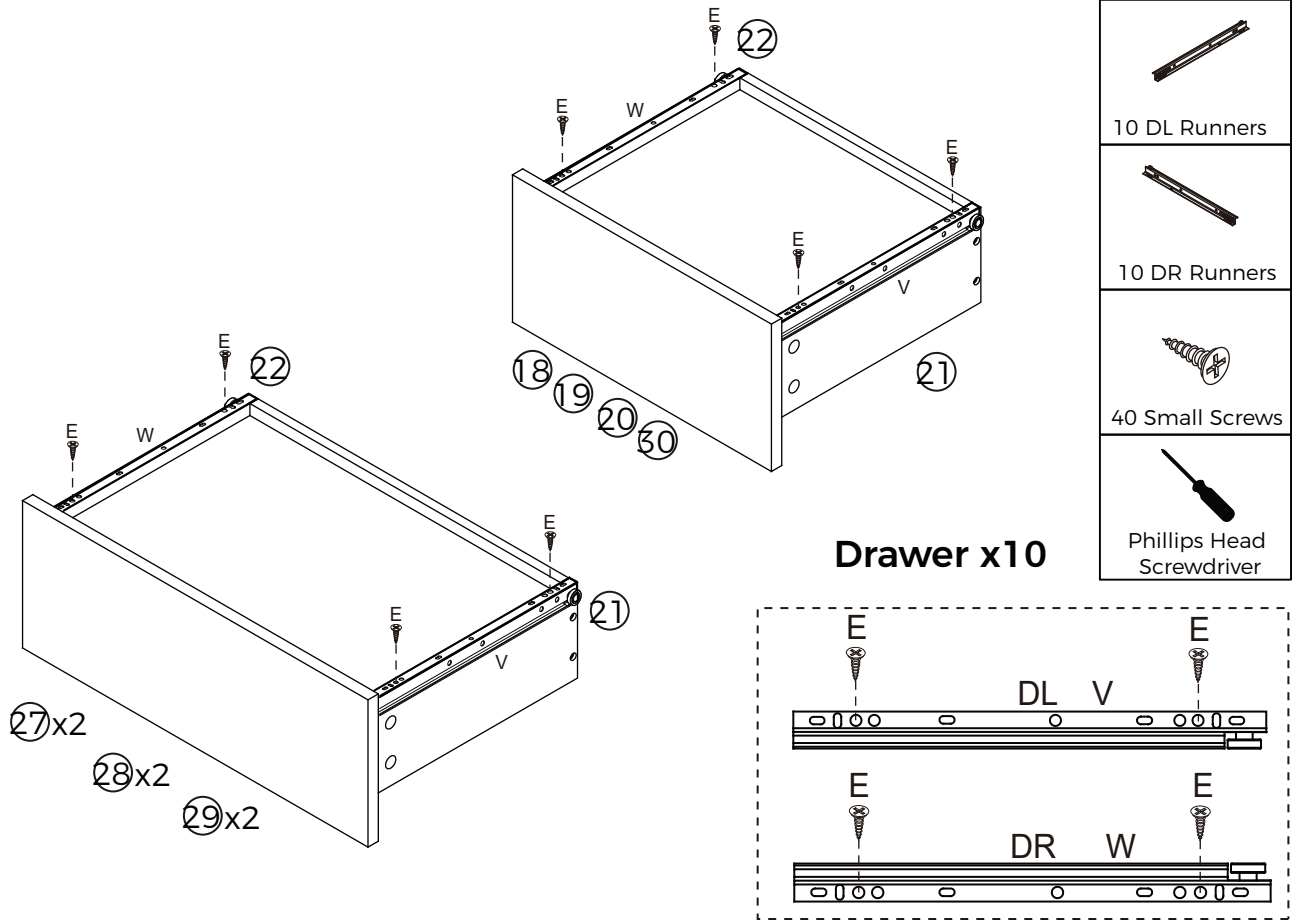
40 Screws



Phillips Head Screwdriver

27.

Attach 10 x DL Runners (V) to the bottom of Left Drawer Sides [21] and 10 x DR Runners (W) to the bottom of Right Drawer Sides [22] with 40 x Small Screws (E).

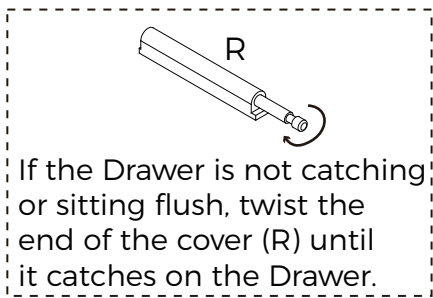


You will need	
	10 DL Runners
	10 DR Runners
	40 Small Screws
	Phillips Head Screwdriver

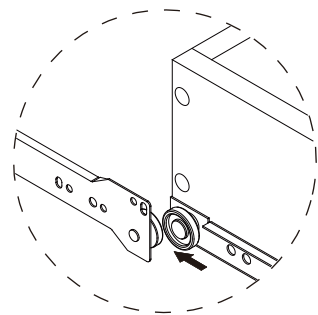
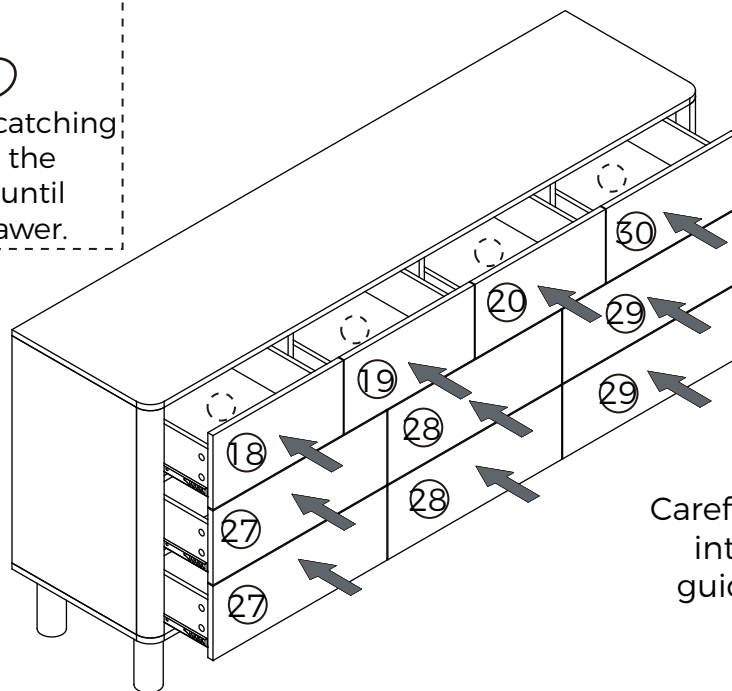
Drawer x10

28.

Insert the assembled drawers into the corresponding compartments.



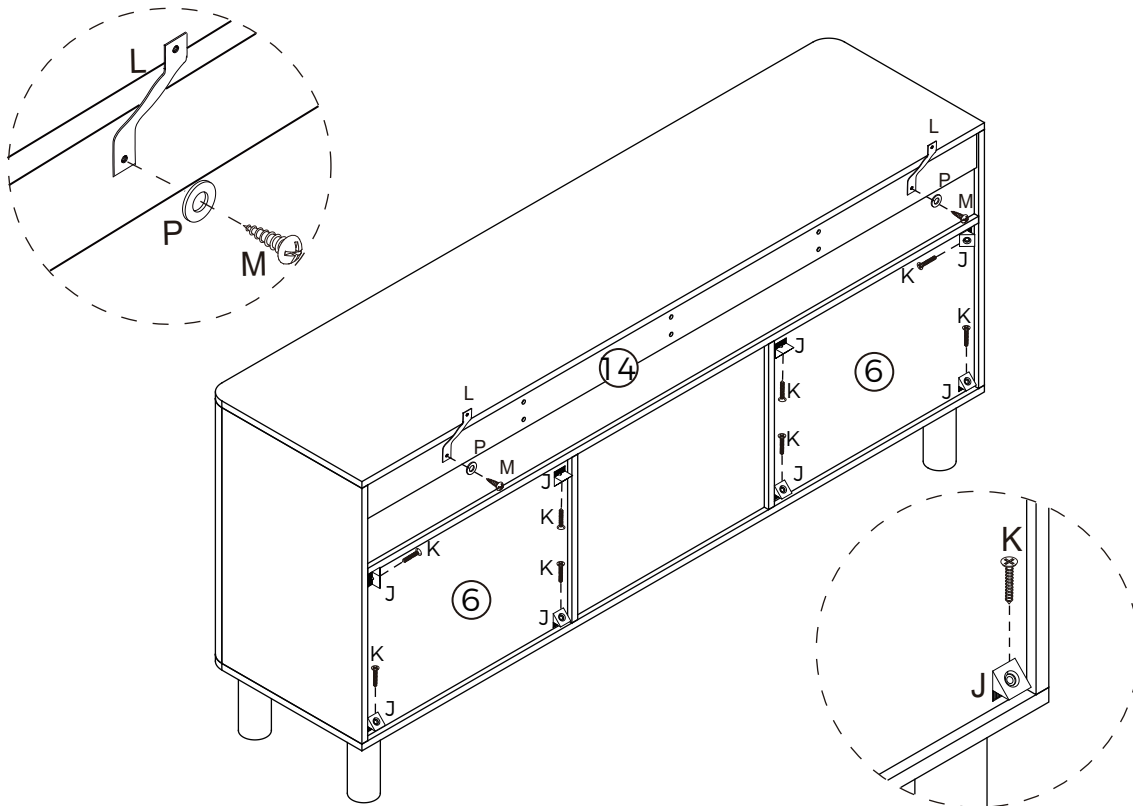
If the Drawer is not catching or sitting flush, twist the end of the cover (R) until it catches on the Drawer.



Carefully insert the drawers into the unit by gently guiding the runners into the tracks.

29.

Secure Back Panels [6] in place with 8 x Wedges (J) using 8 x Screws (K). Attach 2 x Safety Straps (L) to the Rail [14] of the back side of the unit using 2 x Washers (P) and 2 x Screws (M).



You will need



2 Safety Straps



2 Screws



2 Washers



8 Wedges



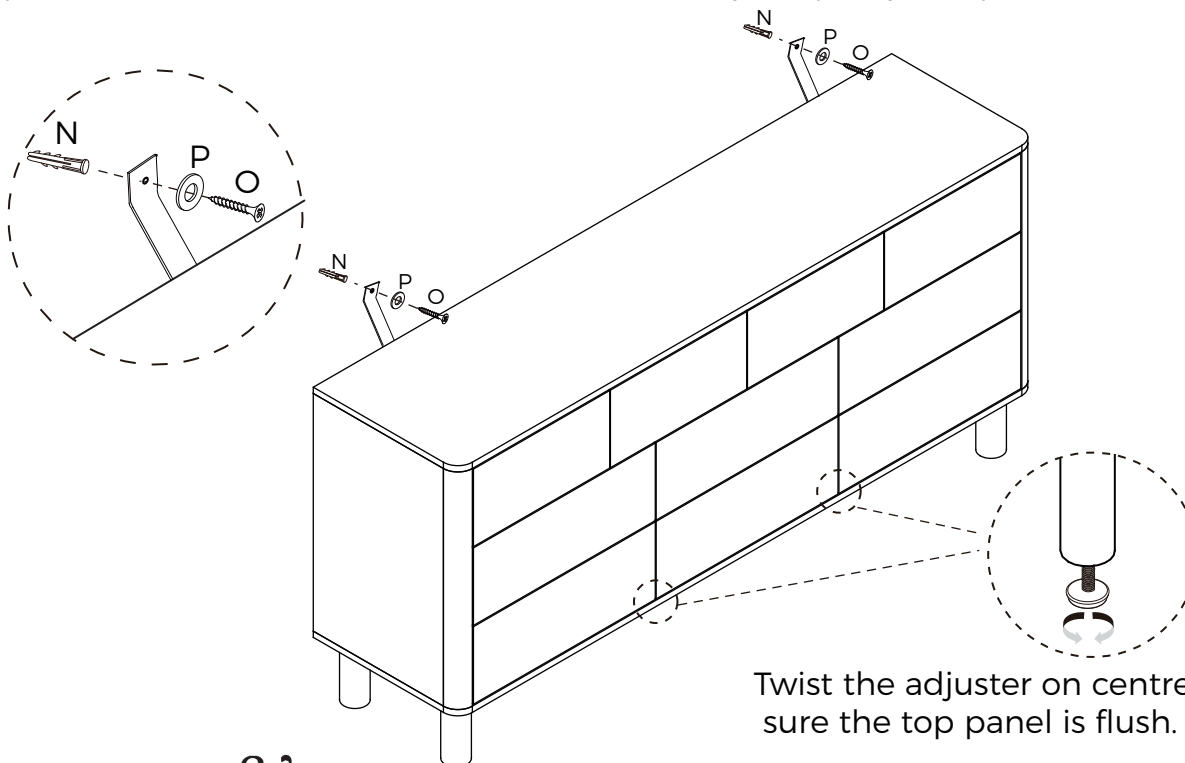
8 Wedges Screws



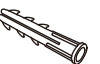
Phillips Head Screwdriver

30.

Move the unit to the final position. Fasten the safety strap to your wall using appropriate fixings for your wall type. If you are unsure, please seek professional advice on how to attach this safety strap to your specific wall.



You will need



2 Wall Plugs



2 Wall Screws



2 Washers



Phillips Head Screwdriver

Twist the adjuster on centre leg to make sure the top panel is flush.