

---

**Stevie Pillar Desk**  
**Natural 140cm**

## Assembly tips

- Assemble your product on a level surface and lay something soft underneath to protect potential floor damage.
- Don't over tighten screws. During assembly we recommend tightening to approximately 70% tightness. Only tighten hardware 100% when fully assembled.
- Keep children away from assembly area as bags and small parts can pose a choking hazard.
- Make sure you have enough space to layout parts before starting. We recommend assembling your item in its final location.
- Do not stand on or put weight on the parts as it may warp or damage product.
- We do not recommend the use of drills or power tools (unless specified) as it may damage the product or hardware. Use hand held screwdrivers only.
- It is best that two people assemble the product as some products may be too heavy for one person. Check this booklet for guidance.

## Safety, care and maintenance

- ALWAYS secure it with an anchor device
- Never let children climb or hang on drawers, doors or shelves.
- NEVER open more than one drawer at a time
- Place heavy items down low
- For advice on suitable fastening devices, contact your local specialized dealer.
- To protect your product and your home, we recommend using coasters, placemats, rugs and other protective items.
- Screws may loosen over time. We recommend setting a reminder to tighten up every six months.
- Remove any liquid spills immediately using a clean cloth with mild detergent. Do not use bleach or abrasive cleaners. Always test any cleaning agent in an inconspicuous spot first to know if it is suitable.

## Recycling

We hope that you love your product forever, but we know situations change. In the event that you wish to dispose of your product please consider some creative ways to give it a new home:

- If it's still in great shape, sell it on your favourite online marketplace!
- Give it a second life by affording it a fresh coat of paint.
- If you must dispose of it, why not donate it to your local charity or shelter for someone else to enjoy.

Please dispose of this product and packaging responsibly and recycle where possible. Scan the QR code to read more about Temple and Webster's commitment to a more sustainable future.



# Important safety instructions

## DANGER!

Children have died from furniture tip over.

### Toppling Hazard Warning

- ALWAYS secure this furniture with an anchor device
- For safety reasons, we recommend you follow the provided instructions
- When installed properly, the provided hardware may prevent the unit from tipping over unexpectedly.
- Never let children climb or hang on drawers, doors or shelves.
- NEVER open more than one drawer at a time
- Place heavy items down low
- NEVER place a television on this furniture
- For advice on suitable fastening devices, contact your local specialized dealer



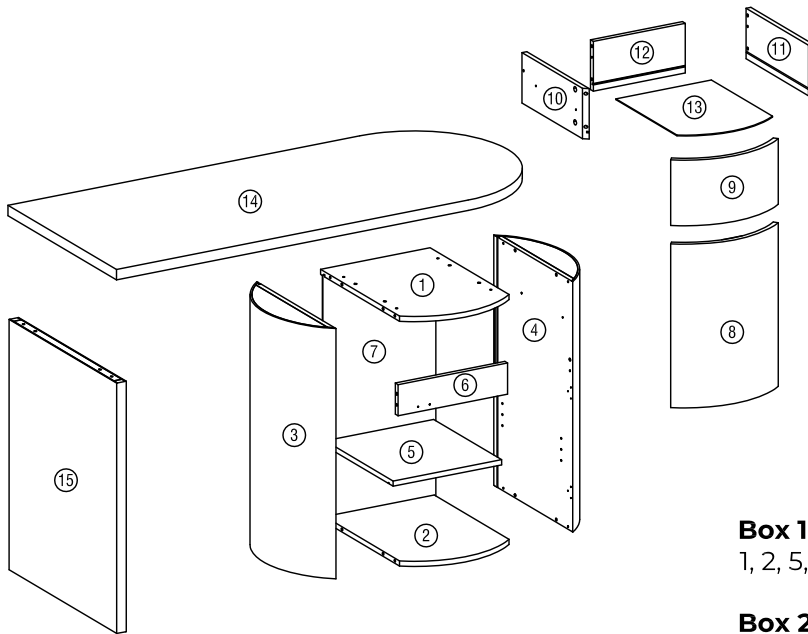
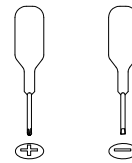
# Parts list

## ASSEMBLY INSTRUCTIONS Stevie Pillar Desk Natural 140cm SBSTPLDKNT

NUMBER OF PEOPLE REQUIRED FOR ASSEMBLY:

2

TOOLS REQUIRED FOR ASSEMBLY




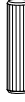

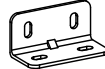
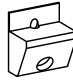








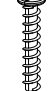



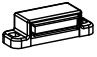









**Box 1 of 2:**

1, 2, 5, 6, 7, 10, 11, 12, 13, 14, 15, Hardware

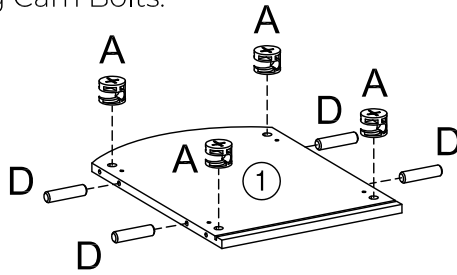
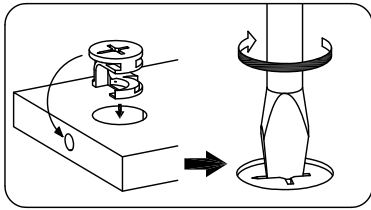
**Box 2 of 2:**

3, 4, 8, 9

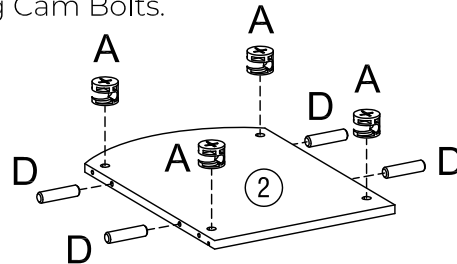
<b>A</b>  14 PCS	<b>B</b>  10 PCS	<b>C</b>  10 PCS	<b>D</b>  20 PCS	<b>E</b>  8 PCS	<b>F</b>  2 PCS	<b>G</b>  12 PCS	<b>H</b>  12 PCS	<b>I</b>  2 PCS
<b>J</b>  2 PCS	<b>K</b>  2 PCS	<b>L</b>  2 PCS	<b>M</b>  2 PCS	<b>N</b>  2 PCS	<b>O</b>  2 PCS	<b>P</b>  6 PCS	<b>Q</b>  4 PCS	<b>R</b>  4 PCS
<b>S</b>  4 PCS	<b>T</b>  1 PC	<b>U</b>  1 PC	<b>V</b>  1 PC	<b>W</b>  8 PCS	<b>X</b>  1 PC	<b>Y</b>  2 PCS	<b>Z</b>  2 PCS	<b>AA</b>  10 PCS

# 1.

Insert 4x Cam Lock (A) and 4x Plastic Dowel (D) into Top Panel (1). Rotate the Cam Lock using a flat head screwdriver so the arrows point towards the incoming Cam Bolts.



Insert 4x Cam Lock (A) and 4x Plastic Dowel (D) into Bottom Panel (2). Rotate the Cam Lock using a flat head screwdriver so the arrows point towards the incoming Cam Bolts.



### You will need:

A

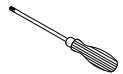


8 Cam Locks

D



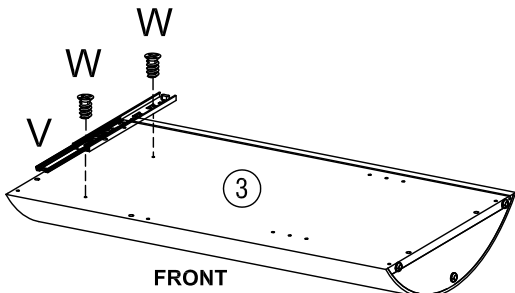
8 Plastic Dowels



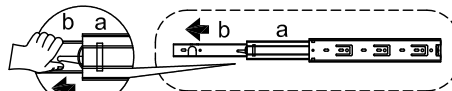
1 Flat Head Screwdriver

# 2.

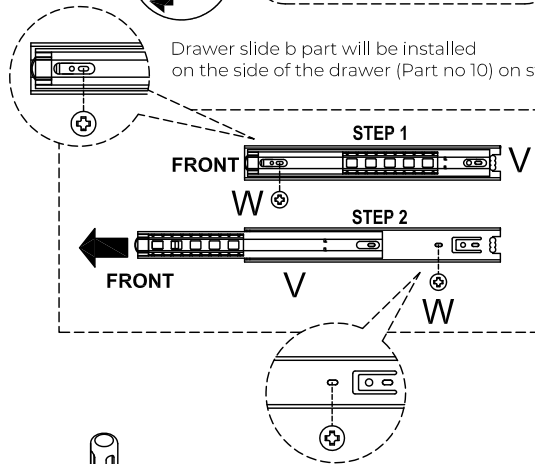
Install 1x Drawer Runner (V) to Left Panel (3) using 2x Screws (W). Attach 5x Cam Bolt (B) to Left Panel (3) using a Phillips Head Screwdriver.



Press the lever to extend the drawer slide and remove the b part.



Drawer slide b part will be installed on the side of the drawer (Part no 10) on step 14



### You will need:

B



5 Cam Bolts

V

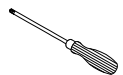


1 Drawer Runner

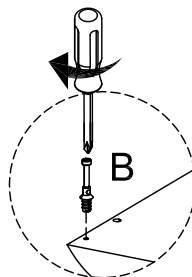
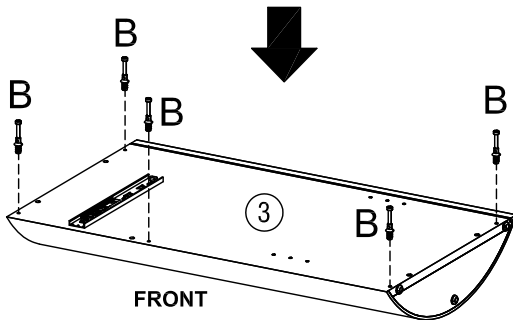
W



2 Screws



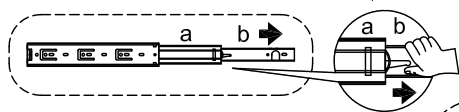
1 Phillips Head Screwdriver



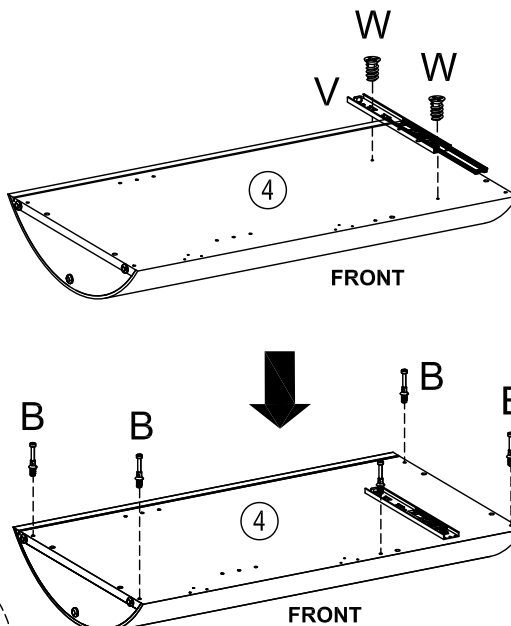
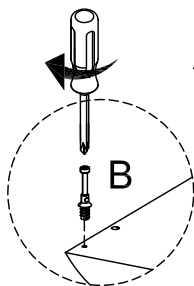
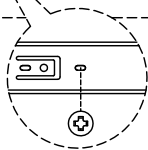
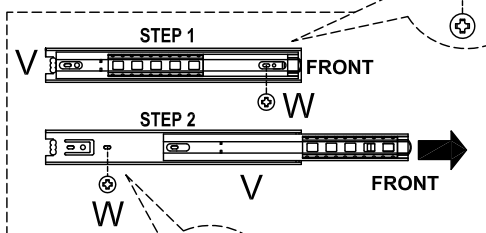
# 3.

Install 1x Drawer Runner (V) to Right Panel (4) using 2x Screws (W).  
Attach 5x Cam Bolt (B) to Right Panel (4) using a Phillips Head Screwdriver.

Press the lever to extend the drawer slide and remove the b part.



Drawer slide b part will be installed on the side of the drawer (Part no 11) on step 15



## You will need:

B



5 Cam Bolts

V

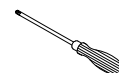


1 Drawer Runner

W



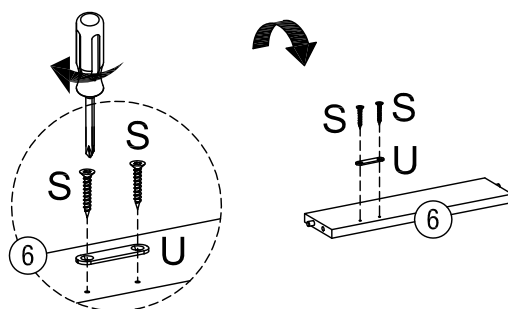
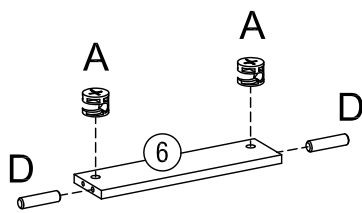
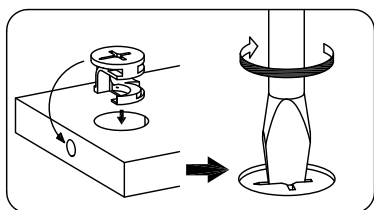
2 Screws



1 Phillips Head Screwdriver

# 4.

Insert 2x Cam Lock (A) and 2x Plastic Dowel (D) into Middle Panel (6).  
Flip the panel 180°, then Attach 1x Plate (U) using 2x screws (S).  
Rotate the Cam Lock using a flat head screwdriver so the arrows point towards the incoming Cam Bolts.



## You will need:

A



2 Cam Locks

D



2 Plastic Dowels

S

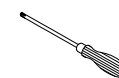


2 Screws

U



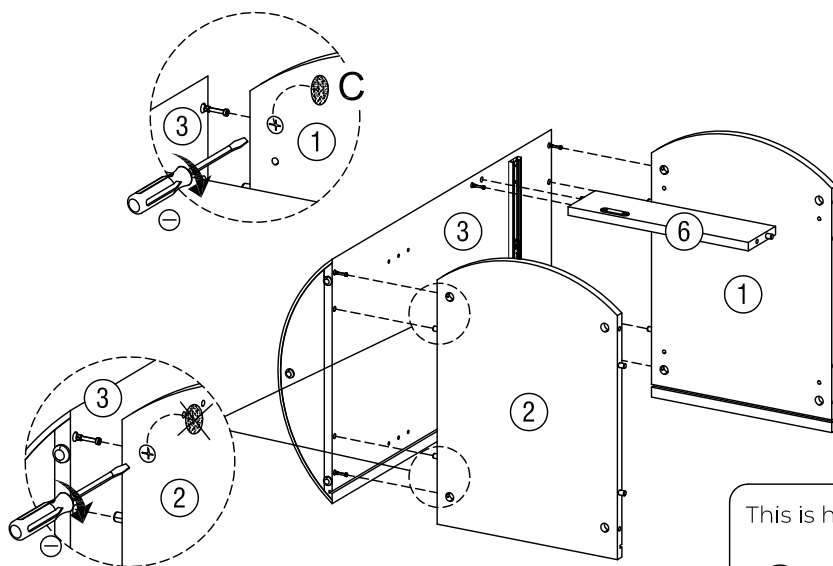
1 Plate



1 Flat Head Screwdriver

# 5.

Attach Top Panel (1), Bottom Panel (2) and Middle Panel (6) to Left Panel (3) as shown, Use a flat head screwdriver to turn the Cam lock clockwise to lock. Paste 3x Cam Sticker (C) as shown.

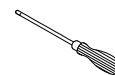


### You will need:

C

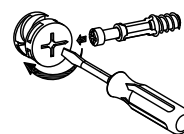


3 Cam Stickers



1 Flat Head Screwdriver

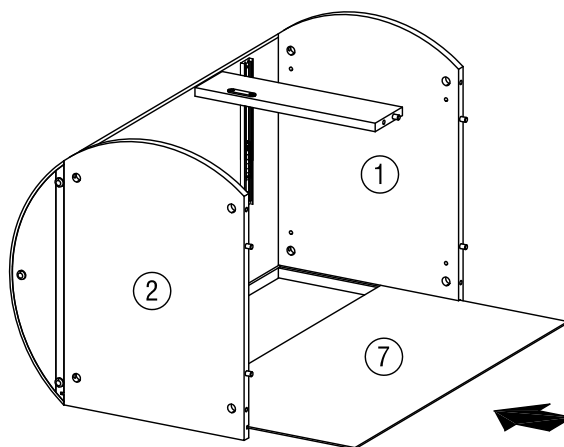
This is how a cam lock works...



The head of the cam bolt goes into the open mouth of the cam lock. You then turn the cam lock so it tightens over the bolt.

# 6.

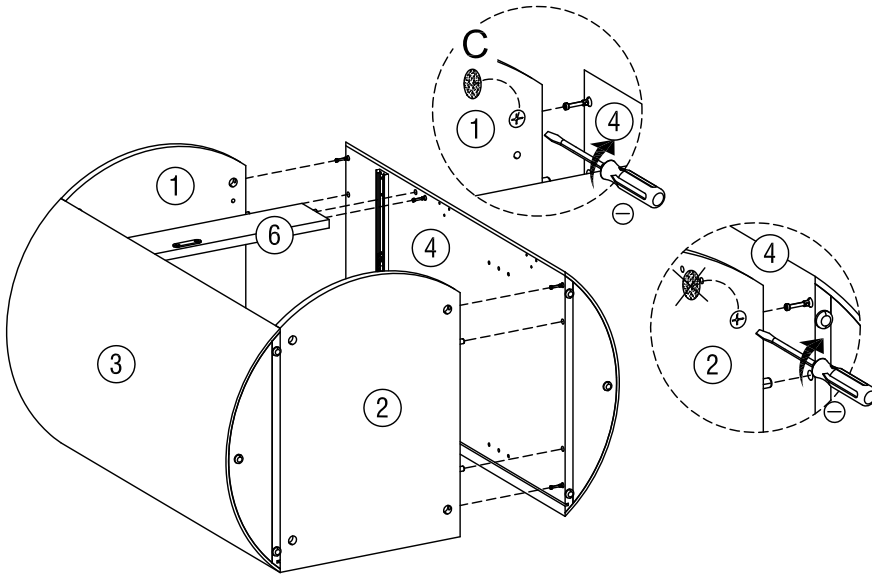
Insert Backboard (7) to case assembly as shown.



Ensure to slot panel fully into the grooves.

# 7.

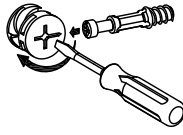
Attach Right Panel (4) to case assembly as shown, Use a flat head screwdriver to turn the Cam lock clockwise to lock. Paste 3x Cam Sticker (C) as shown.



### You will need:

- C  
  
3 Cam Stickers
-   
1 Flat Head Screwdriver

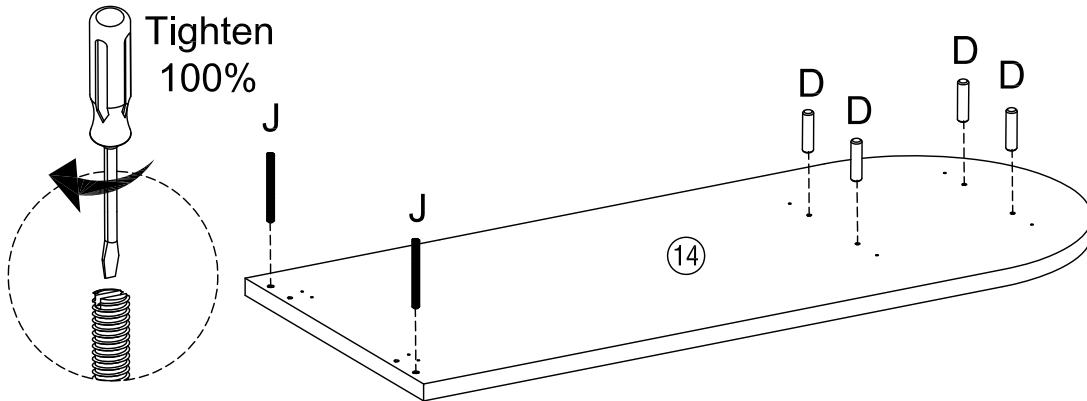
This is how a cam lock works....



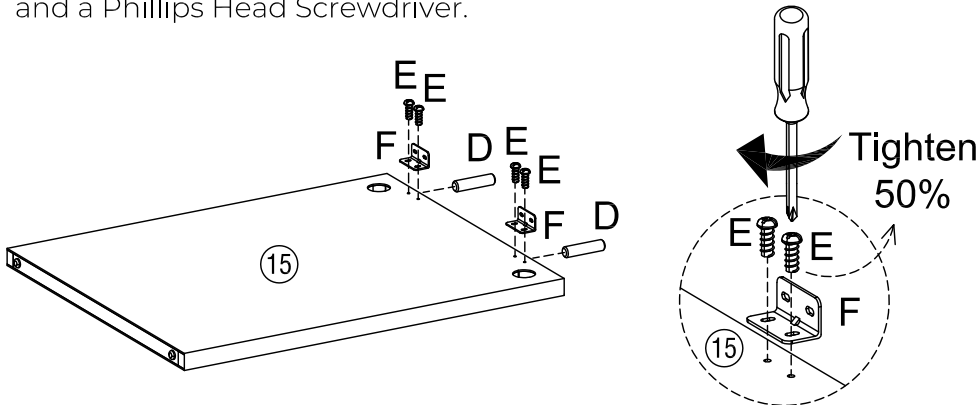
The head of the cam bolt goes into the open mouth of the cam lock. You then turn the cam lock so it tightens over the bolt.

# 8.





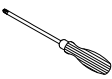
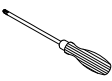
Attach 4x plastic Dowels (D) and 2x Threaded bar (J) to Main Panel (14). Rotate clockwise the Threaded bar (J) to tighten fully using a flat head screwdriver.



Insert 2x plastic Dowels (D) to Side Panel (15). Attach 2x Corner Plate (F) to Side Panel (15) using 4x Screws (E) and a Phillips Head Screwdriver.

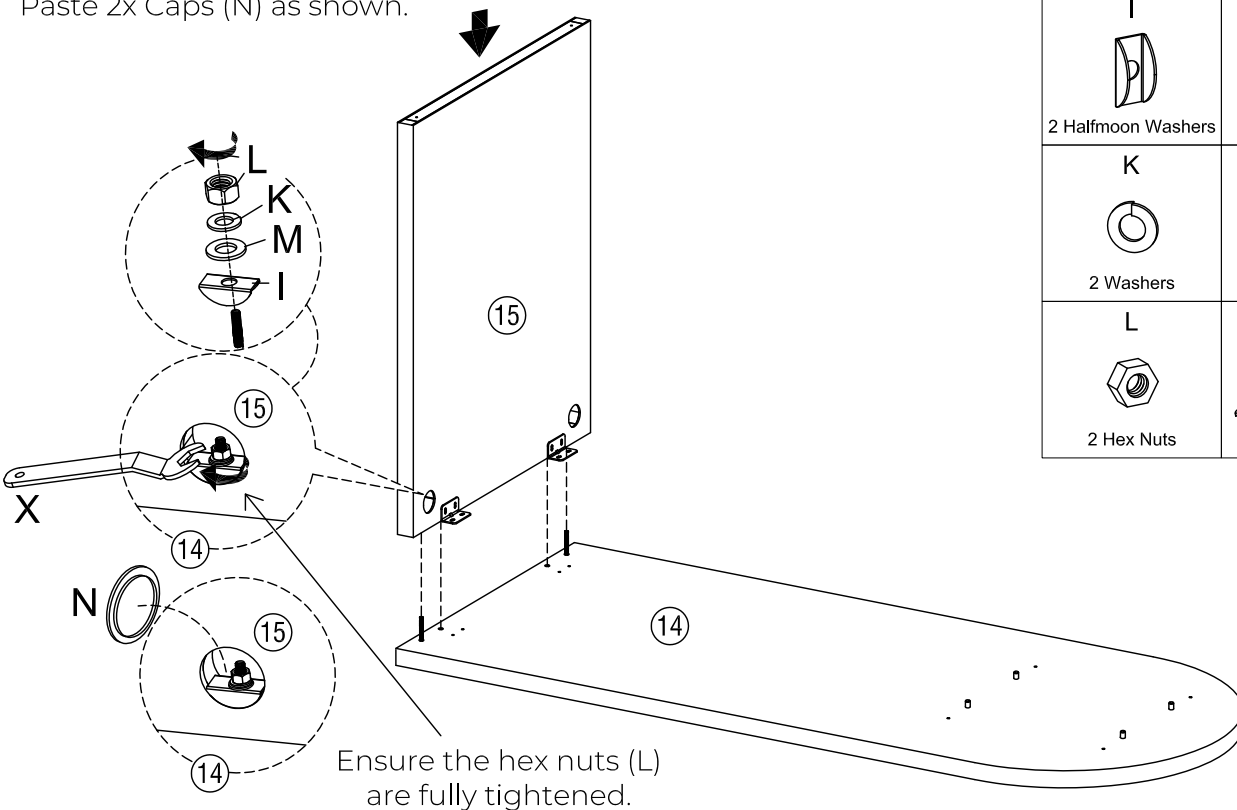







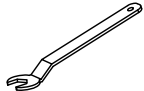
### You will need:

- D  
  
6 Plastic Dowels
- E  
  
4 Screws
- F  
  
2 Corner Plates
- J  
  
2 Threaded Bars
-   
1 Phillips Head Screwdriver
-   
1 Flat Head Screwdriver

# 9.

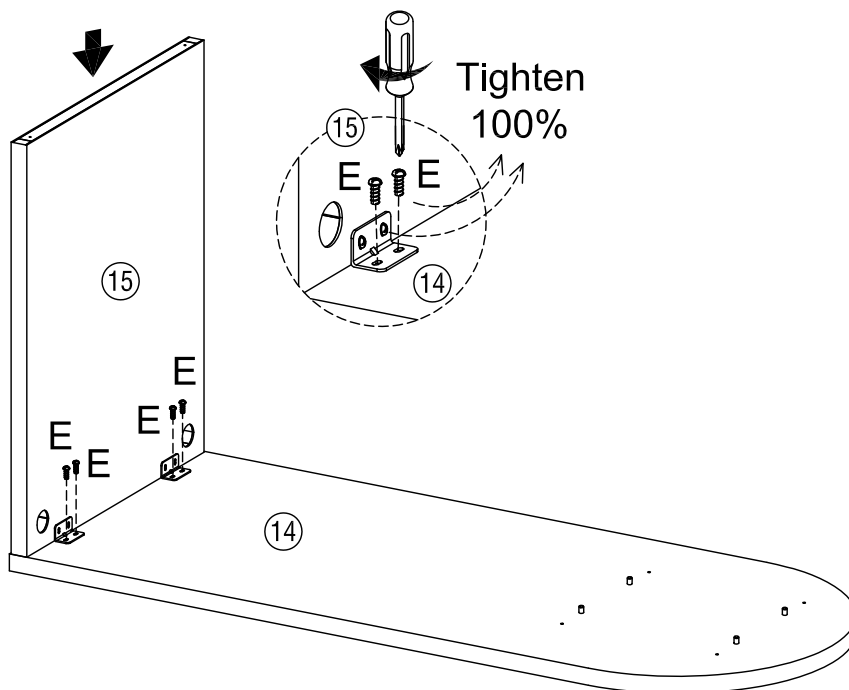
Attach Side Panel (15) to Main Panel (14) using 2x Halfmoon Washers (I), 2 x Washers (K), 2 x Hex Nuts (L) and 2 x Washer Plates (M) as shown. Tighten the Hex Nuts (L) using Spanner (X). Paste 2x Caps (N) as shown.


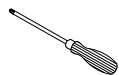


You will need:	
I  2 Halfmoon Washers	M  2 Washer Plates
K  2 Washers	N  2 Caps
L  2 Hex Nuts	X  1 Spanner

# 10.

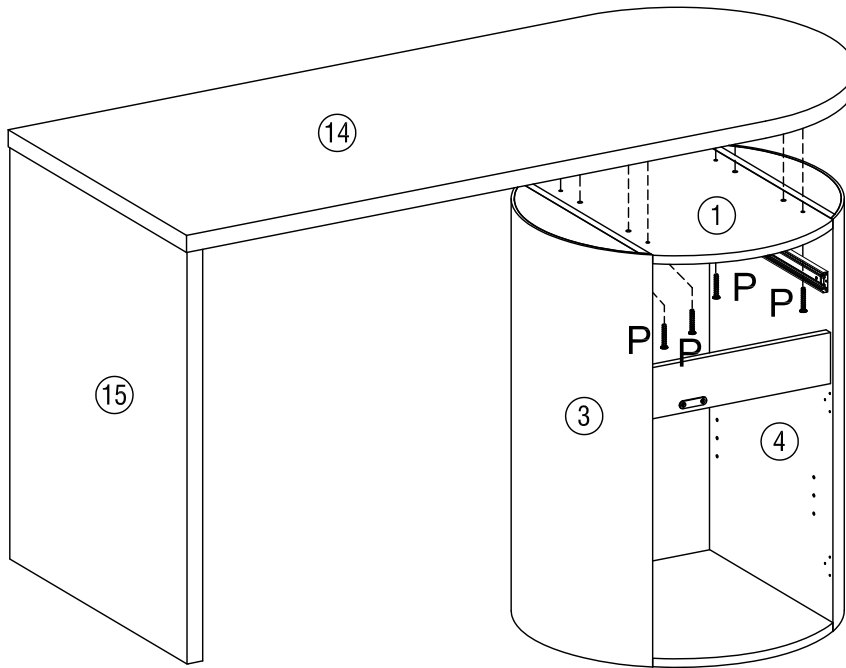
Screw the Corner Plate on Main Panel (14) using 4x Screws (E) and a Phillips Head Screwdriver.



You will need:	
E  4 Screws	
	 1 Phillips Head Screwdriver

# 11.

Attach Panel 14 to cabinet part 1 as shown using 4x Screws (P) and a Phillips Head Screwdriver.

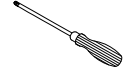


### You will need:

P



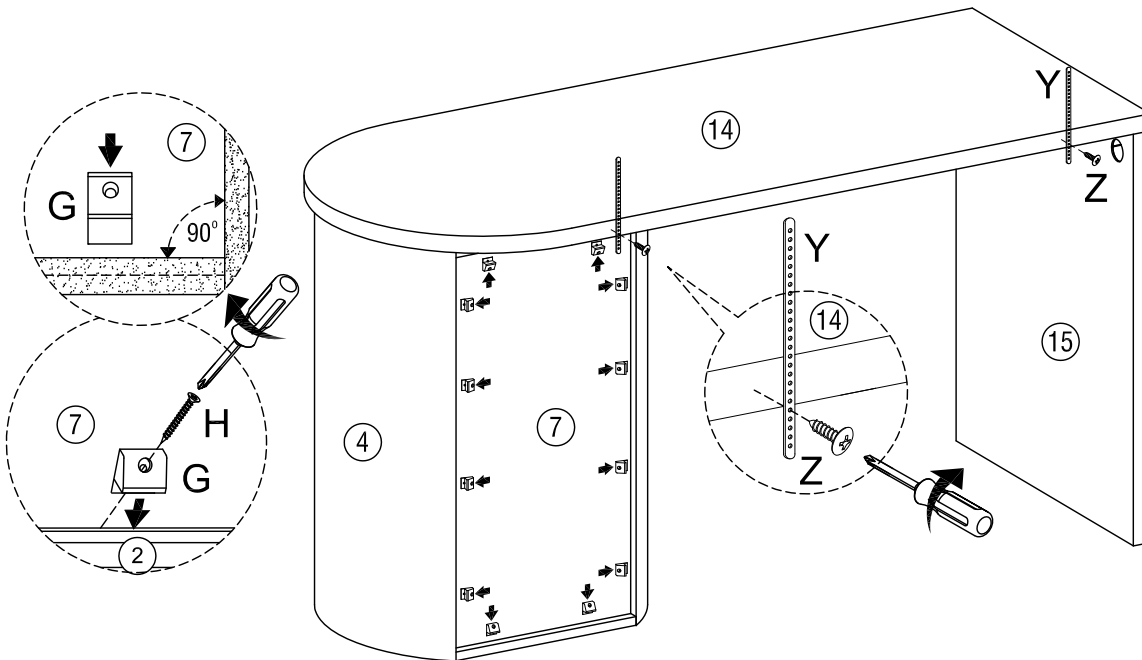
4 Screws



1 Phillips Head Screwdriver

# 12.

Install 12x Backply Stopper (G) to cabinet using 12x Screw (H).  
install 2x Anti-tip Bracket (Y) to Main Panel (14) using 2x Screw (Z) and a Phillips Head Screwdriver.



### You will need:

G



12 Backply Stoppers

H



12 Screws

Y

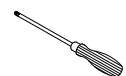


2 Anti-tip Brackets

Z



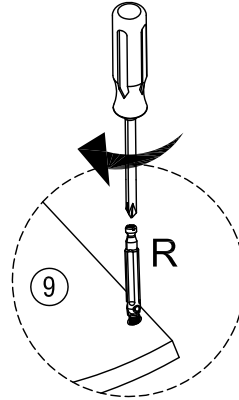
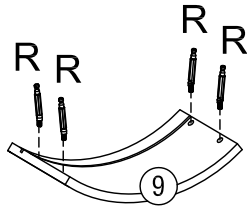
2 Screws



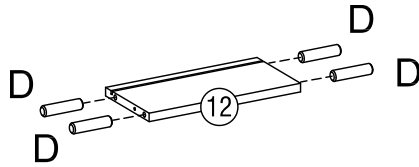
1 Phillips Head Screwdriver

# 13.

Attach 4x Angle Cam Bolt (R) to Front Drawer (9) as shown using a Phillips Head Screwdriver.



Insert 4x Plastic Dowel (D) into Rear Drawer (12).



## You will need:

D

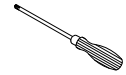


4 Plastic Dowels

R



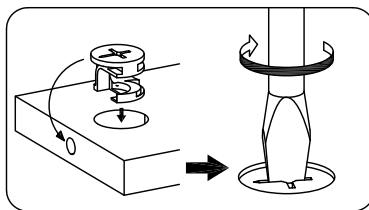
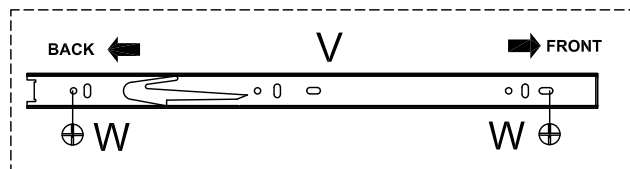
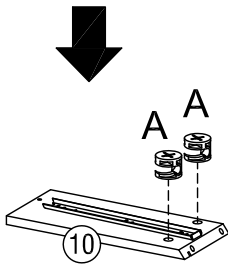
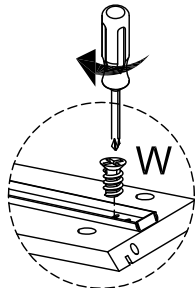
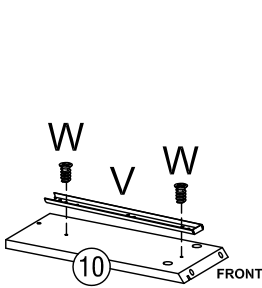
4 Angle Cam Bolts



1 Phillips Head Screwdriver

# 14.

Install 1x Drawer Runner (V) to Left Drawer (10) as shown using 2x Screws (W) and a Phillips Head Screwdriver. Insert 2x Cam Lock (A) into Left Drawer (10). Rotate the Cam Lock using a flat head screwdriver so the arrows point towards the incoming Cam Bolts.



## You will need:

A



2 Cam Locks

V

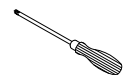


1 Drawer Runner

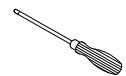
W



2 Screws



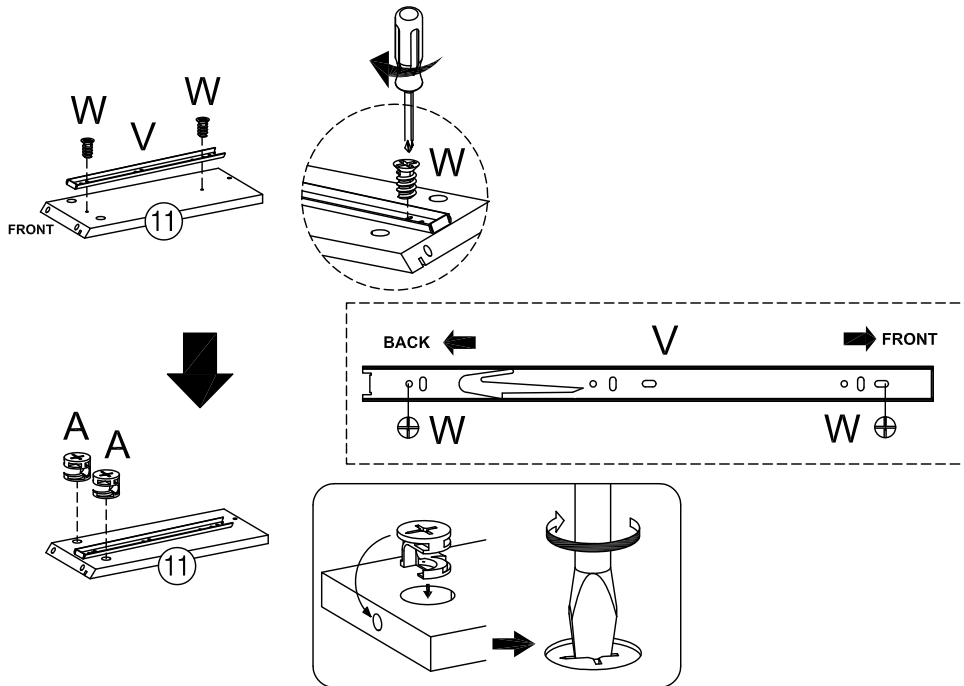
1 Phillips Head Screwdriver



1 Flat Head Screwdriver

# 15.

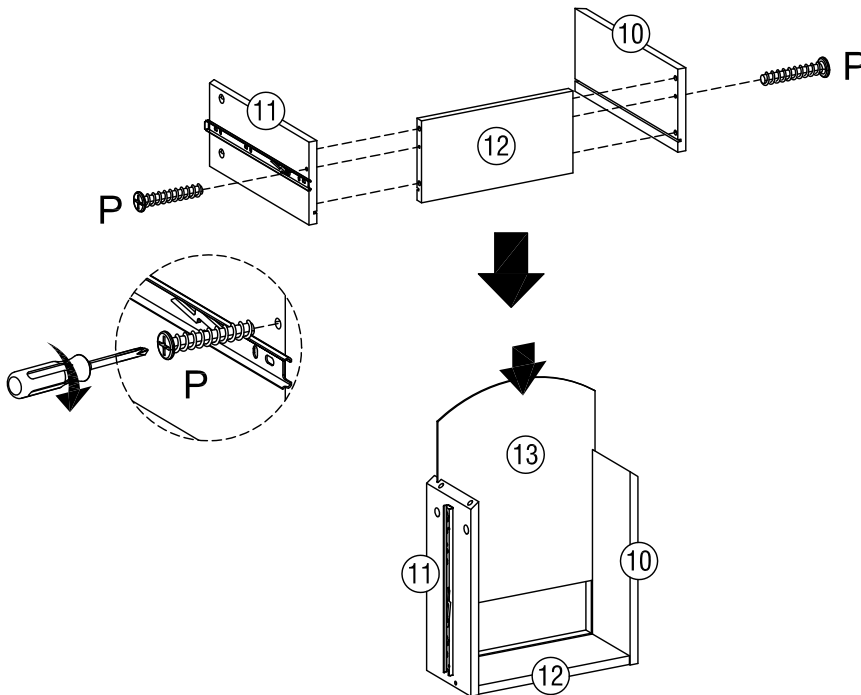
Install 1x Drawer Runner (V) to Right Drawer (11) as shown using 2x Screws (W) and a Phillips Head Screwdriver. Insert 2x Cam Lock (A) into Right Drawer (11). Rotate the Cam Lock using a flat head screwdriver so the arrows point towards the incoming Cam Bolts.



You will need:	
A	2 Cam Locks
V	1 Drawer Runner
W	2 Screws
	1 Phillips Head Screwdriver
	1 Flat Head Screwdriver

# 16.

Attach Left Drawer (10) and Right Drawer (11) to Rear Drawer (12) using 2x Screws (P) and a Phillips Head Screwdriver.

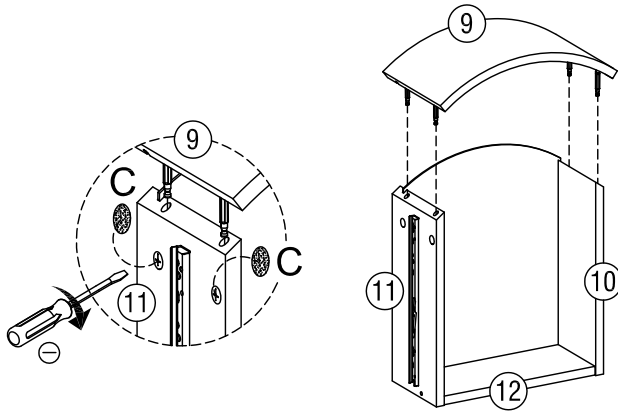


You will need:	
P	2 Screws
	1 Phillips Head Screwdriver

Insert Bottom Drawer (13) to assembled drawer as shown. Ensure to slot panel fully into the grooves.

# 17.

Attach Front Drawer (9) to assembled drawer as shown, Use a flat head screwdriver to rotate the Cam lock clockwise to lock. Cover using 4x Cam Sticker (C) as shown.

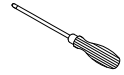


**You will need:**

C

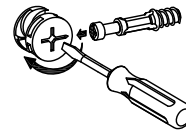


4 Cam Stickers



1 Flat Head Screwdriver

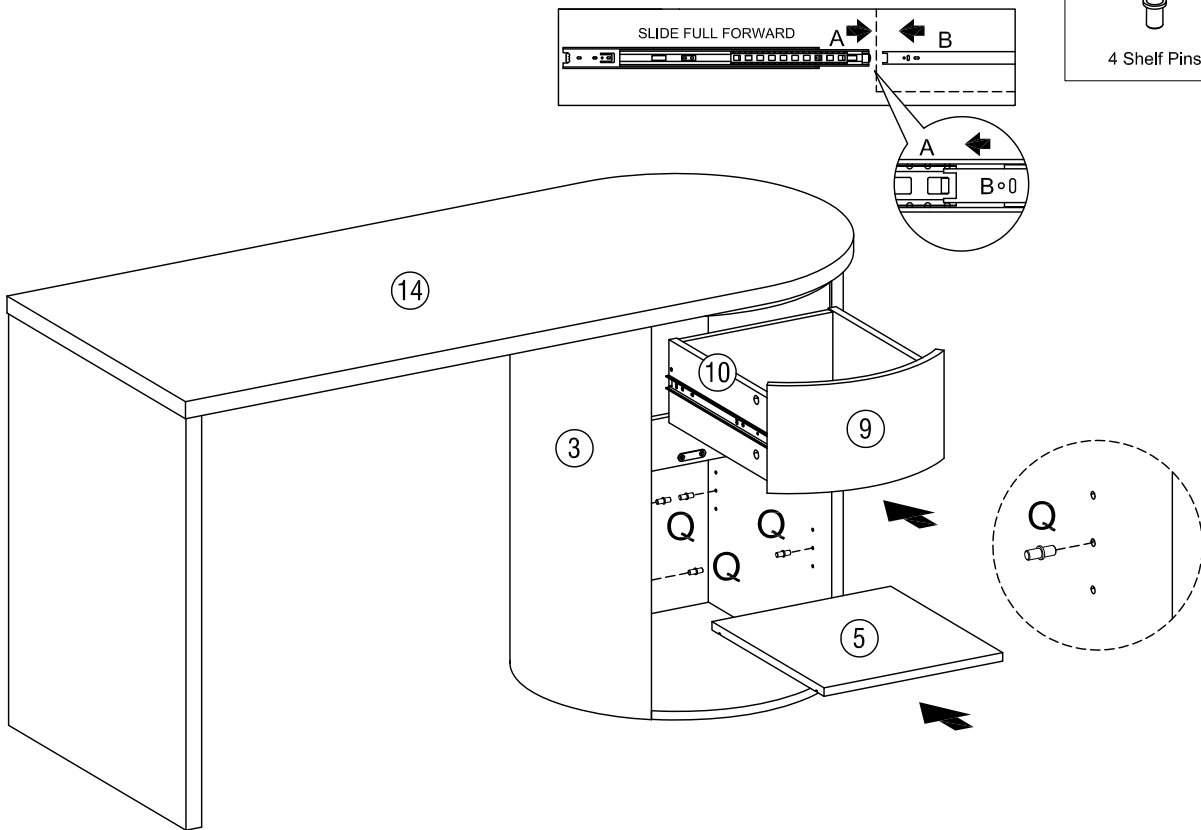
This is how a cam lock works...



The head of the cam bolt goes into the open mouth of the cam lock. You then turn the cam lock so it tightens over the bolt.

# 18.

Insert Drawer (9) to cabinet as shown. Insert 4x Shelf Pins (Q) to cabinet as shown. Insert Adjustable Shelf (5) to cabinet as shown.



**You will need:**

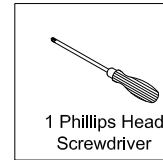
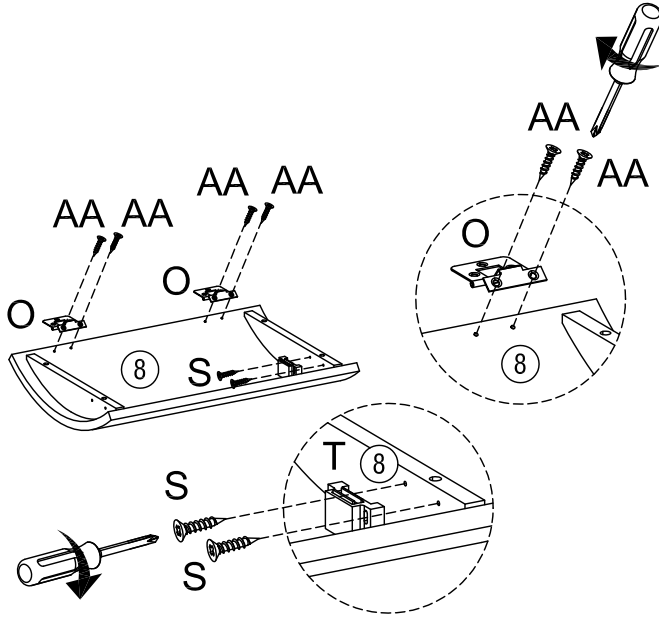
Q



4 Shelf Pins

# 19.

Install 2x Hinge Plates (O) to Door (8) using 4x Screws (AA).  
Attach 1x Magnet (T) to Door (8) using 2x Screws (S) and a Phillips Head Screwdriver.

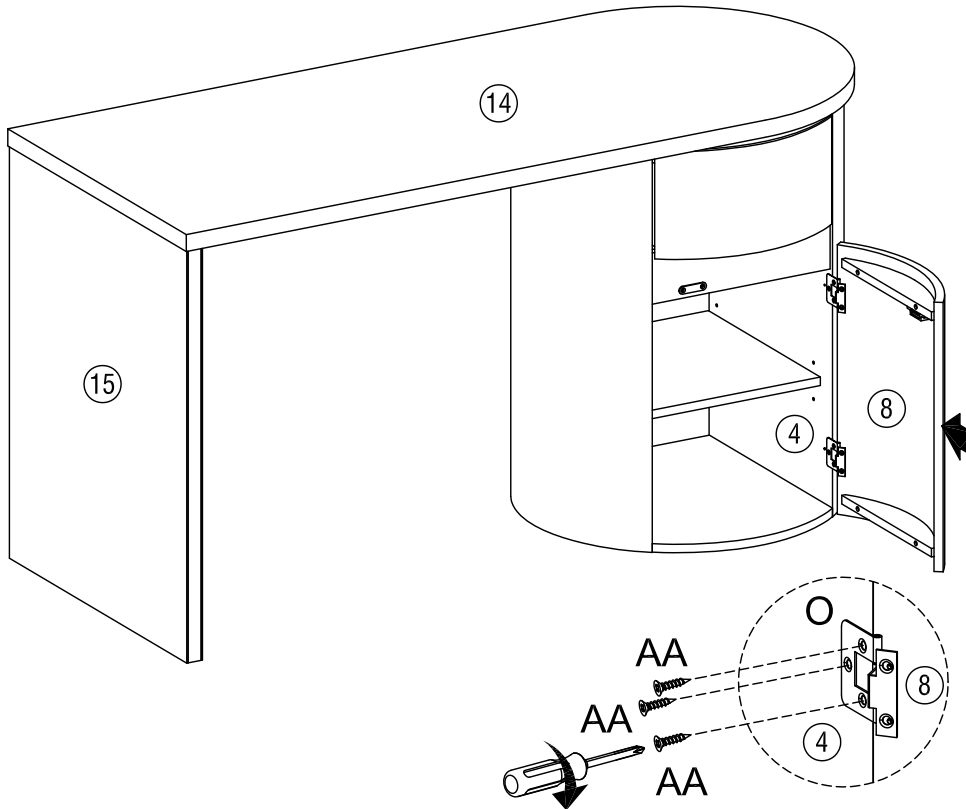


## You will need:

O	
2 Hinge Plates	
S	
2 Screws	
T	
1 Magnet	
AA	
4 Screws	

# 20.

Attach the Door (8) to cabinet as shown using 6x Screws (AA) and a Phillips Head Screwdriver.



## You will need:

AA	
6 Screws	
1 Phillips Head Screwdriver	

# 21.

Assembly is complete.

