

Stockholm Armchair

Read first, enjoy forever

Assembly tips

- Assemble your product on a level surface and lay something soft underneath to protect potential floor damage.
- Don't over tighten screws. During assembly we recommend tightening to approximately 70% tightness. Only tighten hardware 100% when fully assembled.
- Keep children away from assembly area as bags and small parts can pose a choking hazard.
- Make sure you have enough space to layout parts before starting. We recommend assembling your item in its final location.
- Do not stand on or put weight on the parts as it may warp or damage product.
- We do not recommend the use of drills or power tools (unless specified) as it may damage the product or hardware. Use hand held screwdrivers only.
- It is best that two people assemble the product as some products may be too heavy for one person. Check this booklet for guidance.

Safety, care and maintenance

- To reduce the risk of injury, always secure storage furniture to walls and/or floors by using tip-over restraints.
- Never let children climb or hang on drawers, doors or shelves.
- To protect your product and your home, we recommend using coasters, placemats, rugs and other protective items.
- Screws may loosen over time. We recommend setting a reminder to tighten up every six months.
- Remove any liquid spills immediately using a clean cloth with mild detergent. Do not use bleach or abrasive cleaners. Always test any cleaning agent in an inconspicuous spot first to know if it is suitable.

Recycling

We hope that you love your product forever, but we know situations change. In the event that you wish to dispose of your product please consider some creative ways to give it a new home:

- If it's still in great shape, sell it on your favourite online marketplace!
- Give it a second life by affording it a fresh coat of paint.
- If you must dispose of it, why not donate it to your local charity or shelter for someone else to enjoy.

Please dispose of this product and packaging responsibly and recycle where possible. Scan the QR code to read more about Temple and Webster's commitment to a more sustainable future.



Parts list

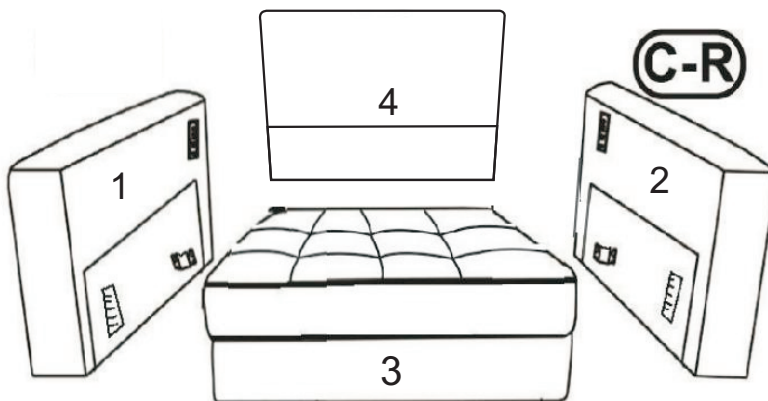
ASSEMBLY INSTRUCTIONS









Stockholm Armchair

QNSTACTN

NUMBER OF PEOPLE REQUIRED FOR ASSEMBLY:

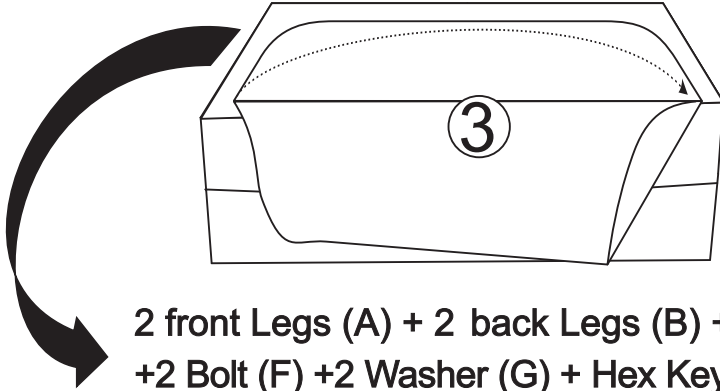
2



<p>A</p>  <p>2 PCS</p>	<p>B</p>  <p>2 PCS</p>	<p>C</p>  <p>4 PCS</p>	<p>D</p>  <p>1 PC</p>
<p>E</p>  <p>2 PCS</p>	<p>F</p>  <p>2 PCS</p>	<p>G</p>  <p>2 PCS</p>	<p>H</p>  <p>1 PC</p>

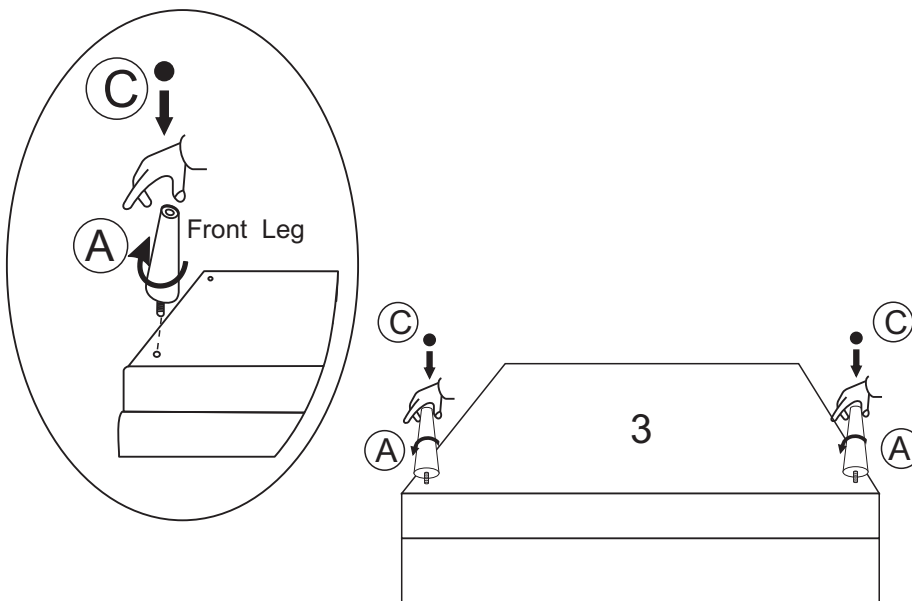
1.

1. Please put Sofa Seat (3) upside down on a carpeted or padded surface.
2. Open the Velcro on the bottom of the Sofa Seat (3) and take out the 2 pieces of front Legs (A) 2 pieces of back Legs (B), 4 pieces of legs pad (C), Back Cushion (D) , 2 pieces of Bolt (F) , 2 pieces of Washer (G) and Hex Key (H).



2.

1. Tighten 2 pieces of Legs (A) to the bottom of the Sofa Seat (3) clockwise as shown by hand.
2. Glue the 2 pieces of Leg pad (C) to the 2 pieces of Legs (A) as shown.



You will need:



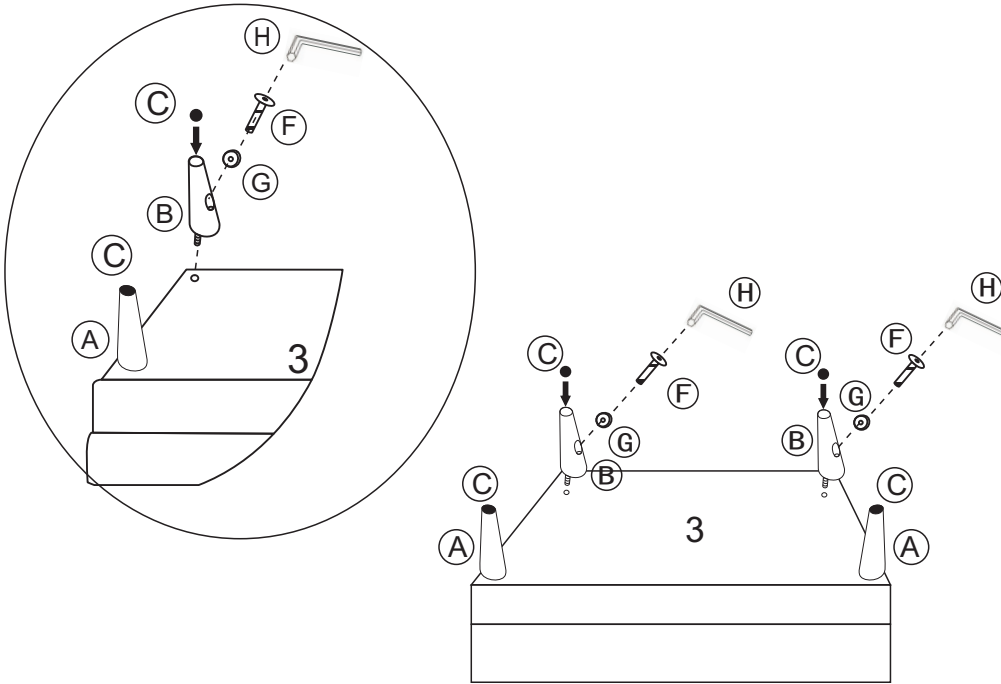
A
2 PCS
FRONT LEGS



C
2 PCS
LEG PAD 3MM

3.

1. Attach 2x Back legs (B) to Sofa Seat (3) by using the Hex Key(H) with 2x Bolt(F) and 2x Washer (G).
2. Glue the 2 pieces of Leg pad (C) to the 2 pieces of Legs (B) as shown.



You will need:



B
2 PCS
BACK LEGS



C
2 PCS
LEG PAD 3MM



F
2 PCS
BOLT



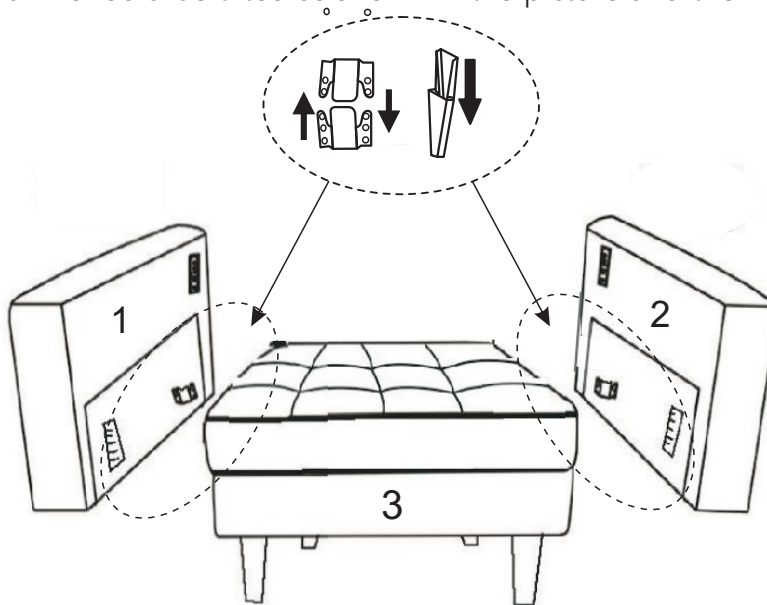
G
2 PCS
WASHER



H
1 PC
HEX KEY

4.

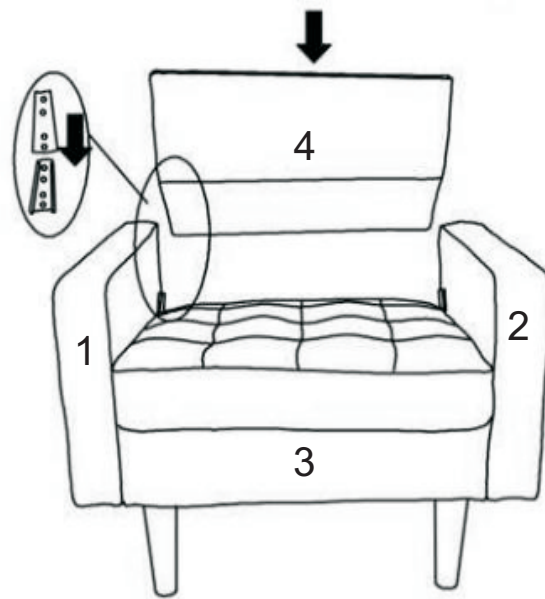
1. Insert Left Arm (1) to Sofa Seat (3) by using the pre-installed Clips on Sofa Seat (3), Left Arm (1) to lock each other as shown.
 2. Insert Right Arm (2) to Sofa Seat (3) by using the pre-installed Clips on Sofa Seat (3), Right Arm (2) to lock each other as shown.
- Note that the arm should be tilted as shown in the picture and then interlocked.



5.

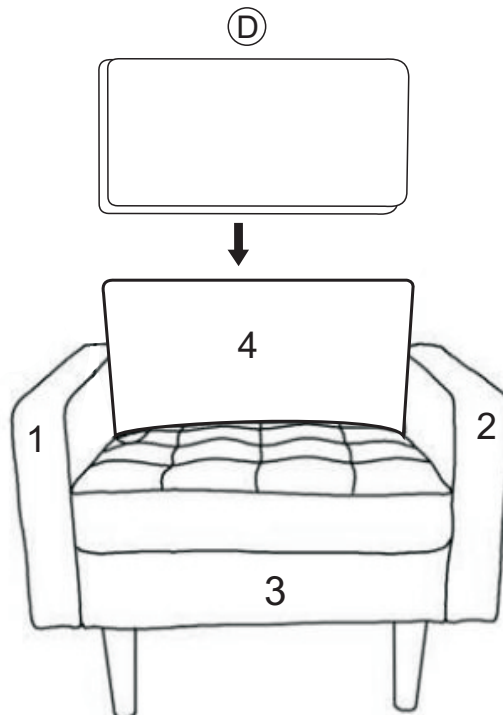
1. Insert Sofa backrest (4) to Left Arm (1) and Right Arm (2) by using the pre-installed Clips on Left Arm (1) and Right Arm (2) to lock each other as shown.

Note that both sides of the Sofa Back should be inserted at the same time.



6.

1. Carefully put 1 piece of Back Cushion (D) to the assembled Sofa Backrest (4) as shown.



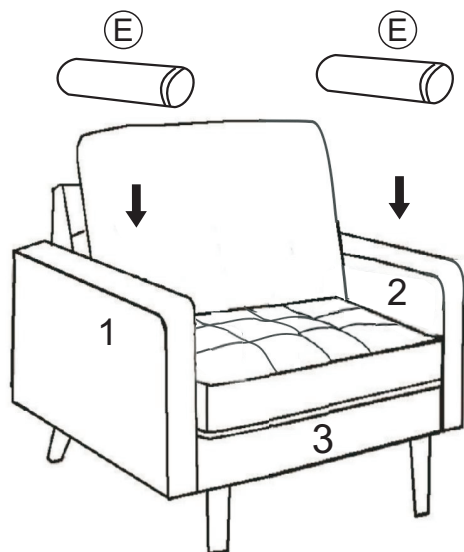
You will need:



**D
1 PC
Back Cushion**

7.

1. Carefully put 2 pieces of Armrest pillows (E) to the assembled Sofa Seat (3) as shown.



You will need:



E
2 PCS
Armrest pillows