

Hayley Curved Wall-Mounted TV Unit White Hayley Curved Wall-Mounted TV Unit Oak

Assembly tips

- This product must be wall mounted by a qualified tradesman/technician.
- Assemble your product on a level surface and lay something soft underneath to protect potential floor damage.
- Don't over tighten screws. During assembly we recommend tightening to approximately 70% tightness. Only tighten hardware 100% when fully assembled.
- Keep children away from assembly area as bags and small parts can pose a choking hazard.
- Make sure you have enough space to layout parts before starting. We recommend assembling your item in its final location.
- Do not stand on or put weight on the parts as it may warp or damage product.
- We do not recommend the use of drills or power tools (unless specified) as it may damage the product or hardware. Use hand held screwdrivers only.
- It is best that two people assemble the product as some products may be too heavy for one person. Check this booklet for guidance.

Safety, care and maintenance

- ALWAYS secure it with an anchor device
- Never let children climb or hang on drawers, doors or shelves.
- NEVER open more than one drawer at a time
- Place heavy items down low
- For advice on suitable fastening devices, contact your local specialized dealer.
- To protect your product and your home, we recommend using coasters, placemats, rugs and other protective items.
- Screws may loosen over time. We recommend setting a reminder to tighten up every six months.
- Remove any liquid spills immediately using a clean cloth with mild detergent. Do not use bleach or abrasive cleaners. Always test any cleaning agent in an inconspicuous spot first to know if it is suitable.

WARNING: In order to prevent falling down this product must be used with the wall attachment device provided.

Recycling

We hope that you love your product forever, but we know situations change. In the event that you wish to dispose of your product please consider some creative ways to give it a new home:

- If it's still in great shape, sell it on your favourite online marketplace.
- Give it a second life by affording it a fresh coat of paint.
- If you must dispose of it, why not donate it to your local charity or shelter for someone else to enjoy.

Please dispose of this product and packaging responsibly and recycle where possible. Scan the QR code to read more about Temple and Webster's commitment to a more sustainable future.



Parts list

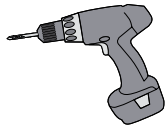
ASSEMBLY INSTRUCTIONS

Hayley Curved Wall-Mounted TV Unit White

Hayley Curved Wall-Mounted TV Unit Oak

SBHYTVWH

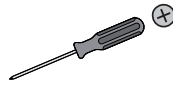
SBHYTVOA



Power drill



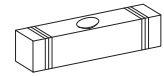
Drill bit
8mm



Philips
Screw driver



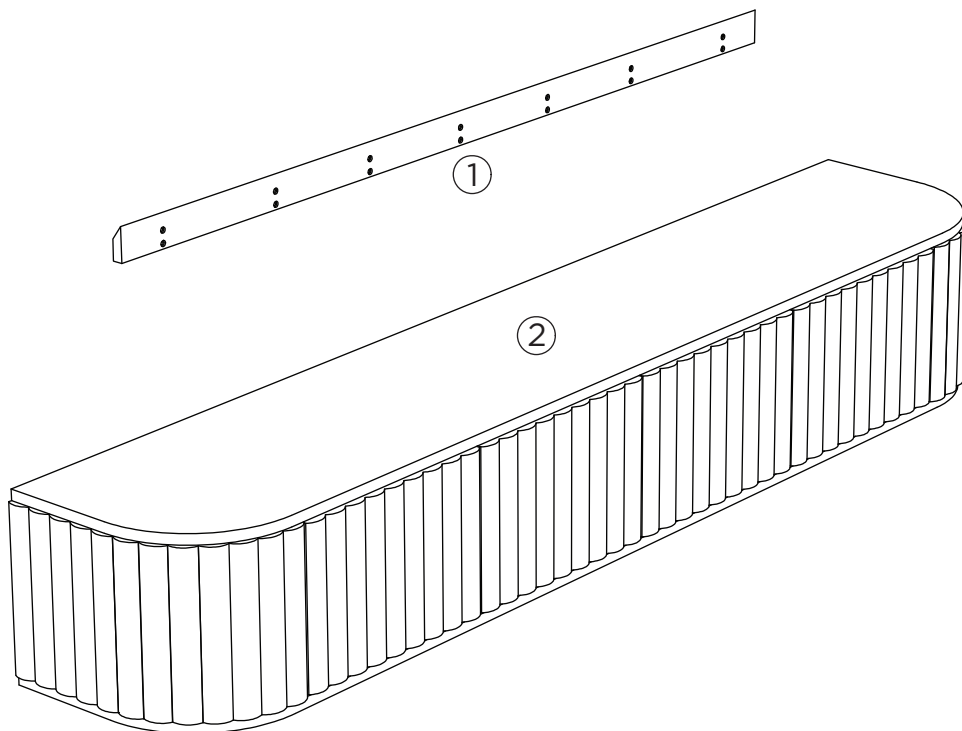
Stud finder

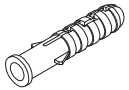
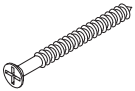
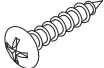


Leveler

**NUMBER OF PEOPLE REQUIRED FOR
ASSEMBLY:**

2



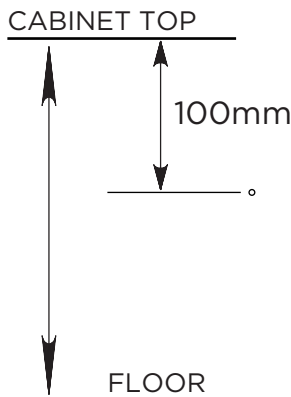
A	B	C
		
8 x Expansion plug M8x65mm	8 x Screws Ø5x80mm	8 x Screws Ø3.5x16mm

As all installation environments are different you may not have all the necessary installation hardware provided in the hardware pack supplied with this unit. If you require further fixings please visit your local hardware store and purchase other required fixings. The fixings provided in this pack are for a basic install only.

Please make sure you have all these parts before you start.

1.

Decide on the height you would like the top of your new Wall Mount Cabinet to be. Measure 100mm down your wall to mark your first hole location. Place the coinciding hole of the wall bracket over this hole. While holding the Bracket on this hole ensure that it is level, with a spirit level and mark the remaining holes with a pencil or your drill. Remove wall mount and drill holes into your wall with an appropriate drill bit. If there is any major wall imperfections/unevenness please consider fixing these first, to allow cabinet to sit flat against the wall. Please remember that this is a wall mount cabinet for components only and it is not intended for a TV to be placed on this unit. Please ensure that your TV is secured/mounted to the wall with a suitable wall mount prior to the installation of this cabinet underneath.



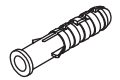
THIS PRODUCT MUST BE WALL MOUNTED BY A QUALIFIED TRADESMAN/TECHNICIAN.

2.

OPTON 1 - FOR BRICK WALL

Fix the Mounting board (1) to Brick wall using 4 x Expansion plugs (A) and 4 x Screws (B) with the Phillips head screwdriver as shown.

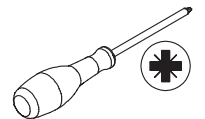
You will need:



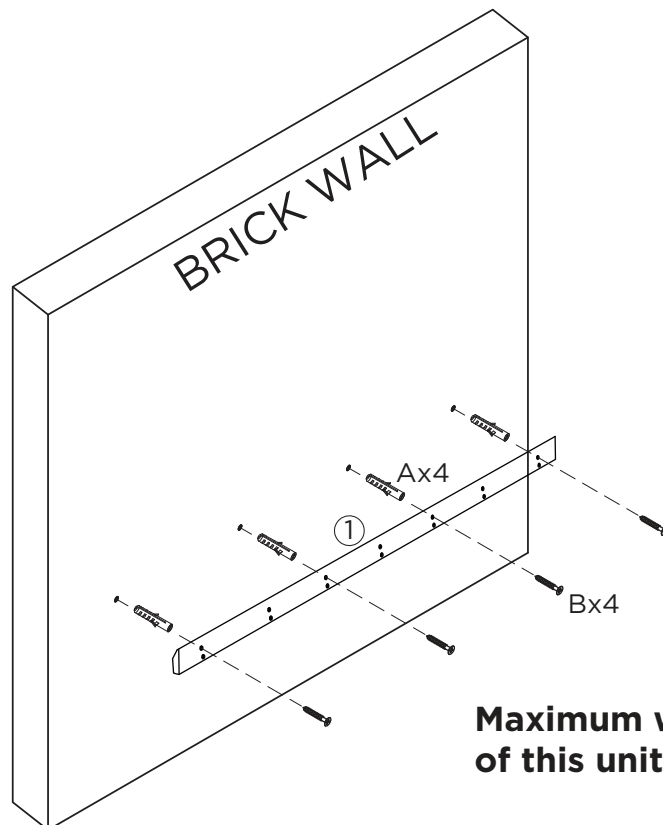
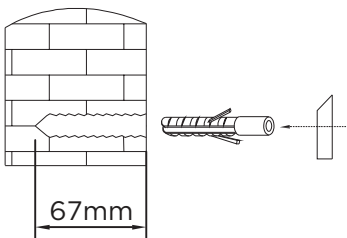
4 Expansion plugs



4 Screws



BRICK WALL NOTE:
Please fix screws into Bricks not Mortar



Maximum weight capacity of this unit is 20 KGS

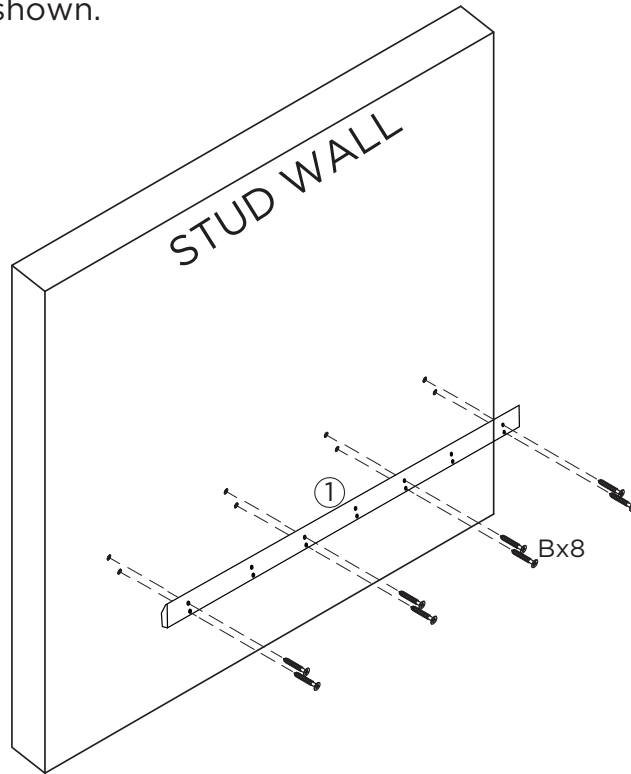
Damaged or missing parts? Or just need help?
Contact us on service@templeandwebster.com.au

**TEMPLE &
WEBSTER**

3.

OPTON 1 - FOR STUD WALL

Fix the Mounting board (1) to Stud wall using 8 x Screws (B) with the Phillips head screwdriver as shown.

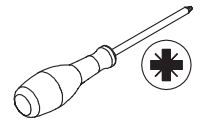


STUD WALL SAFETY NOTE:
The mounting board has fixing holes in place for a standard stud wall. Please use a stud finder to ensure that you are fixing into the studs.

You will need:

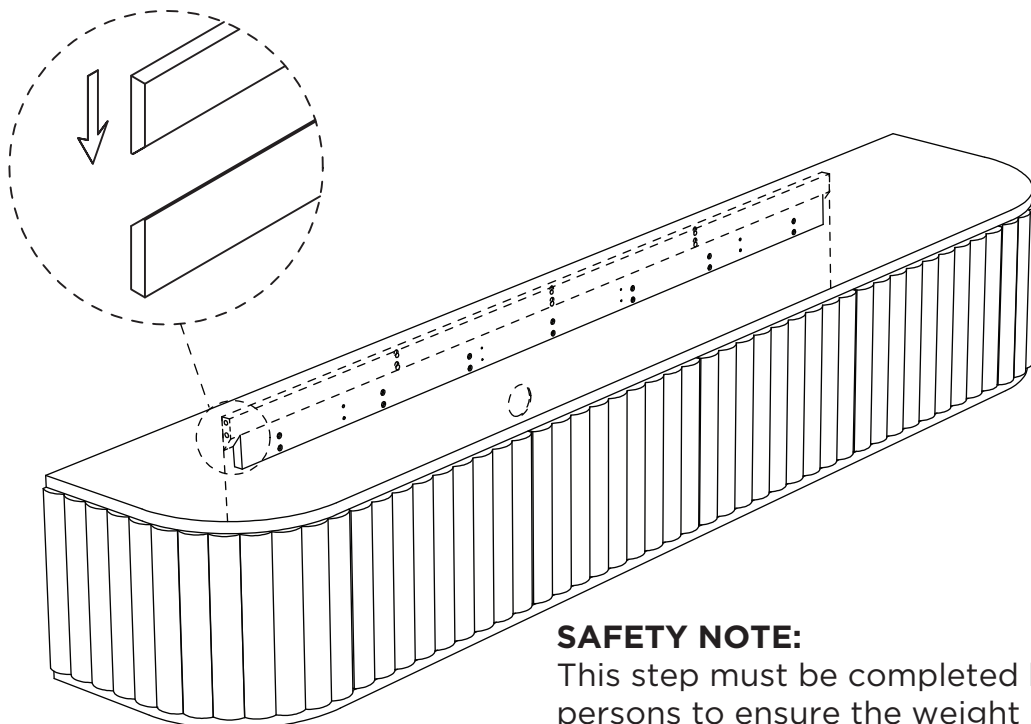


8 Screws



4.

Lifting cabinet onto the wall.

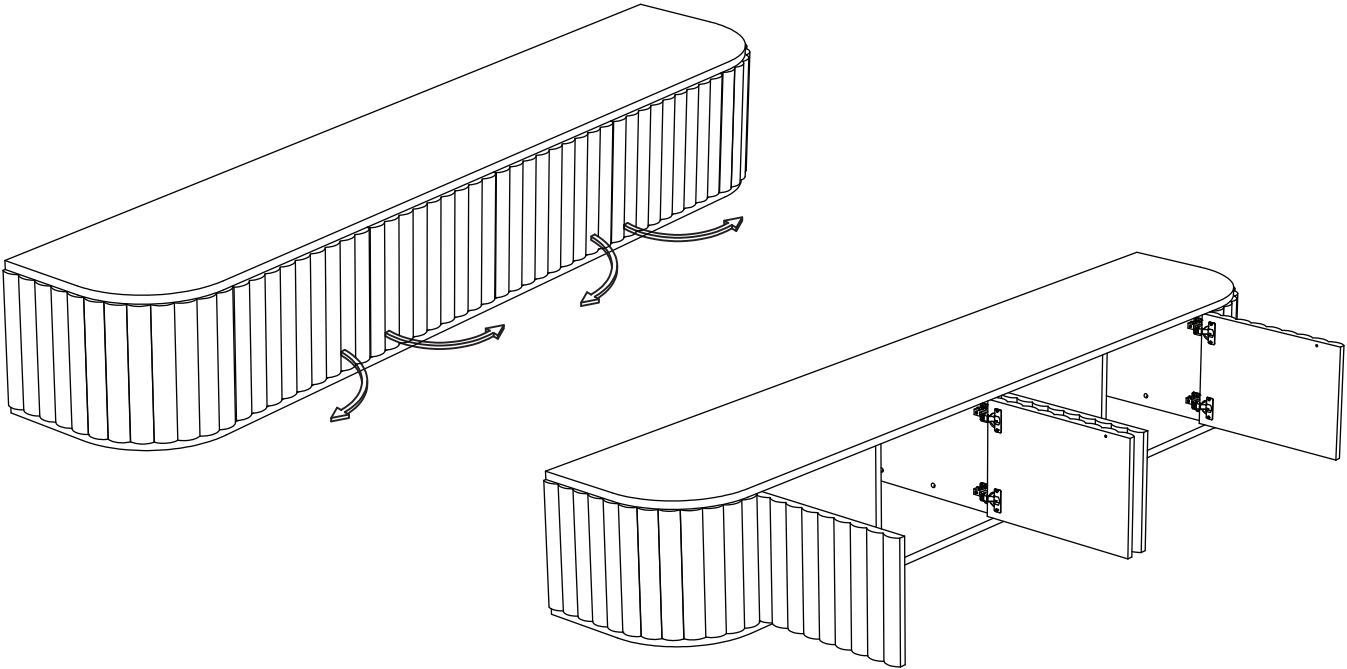


SAFETY NOTE:

This step must be completed by two persons to ensure the weight of cabinet is evenly distributed across mounting board and eliminate physical injury to individuals.

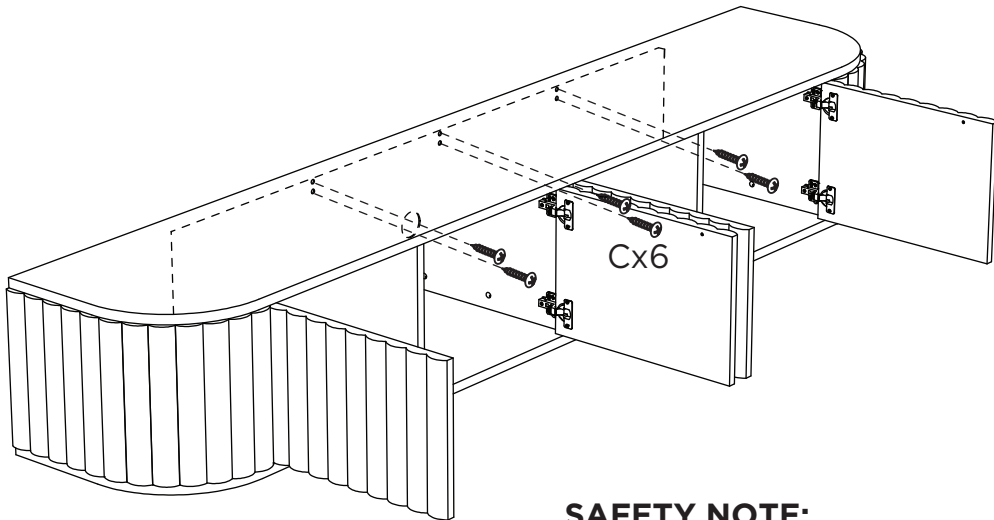
5.

Open the door panel.



6.

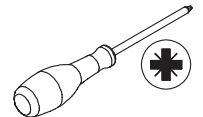
Securing Cabinet to wall mount using 6 x Screws (C) with the Phillips head screwdriver as shown.



You will need:



6 Screws

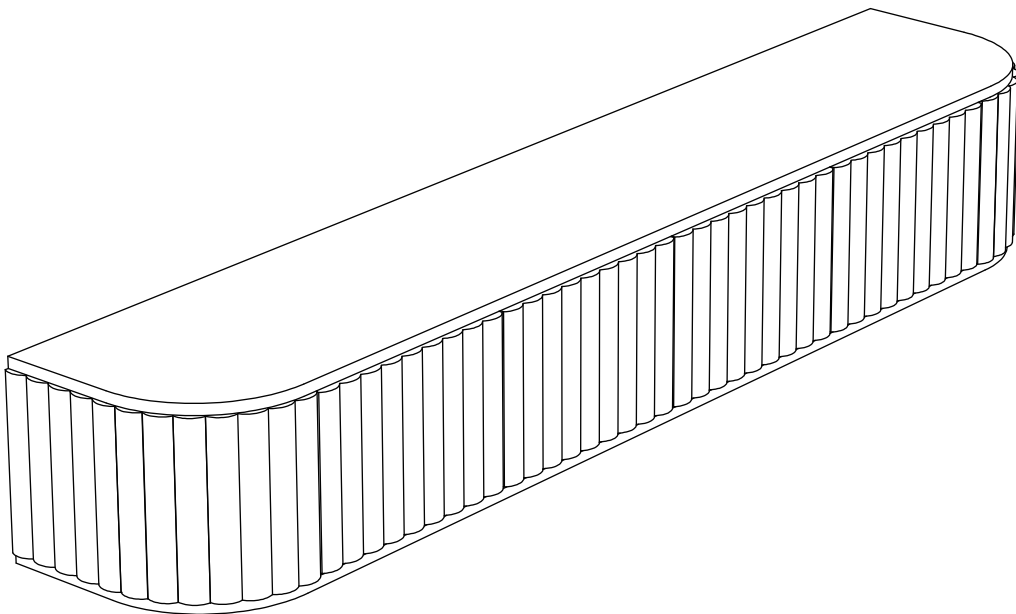
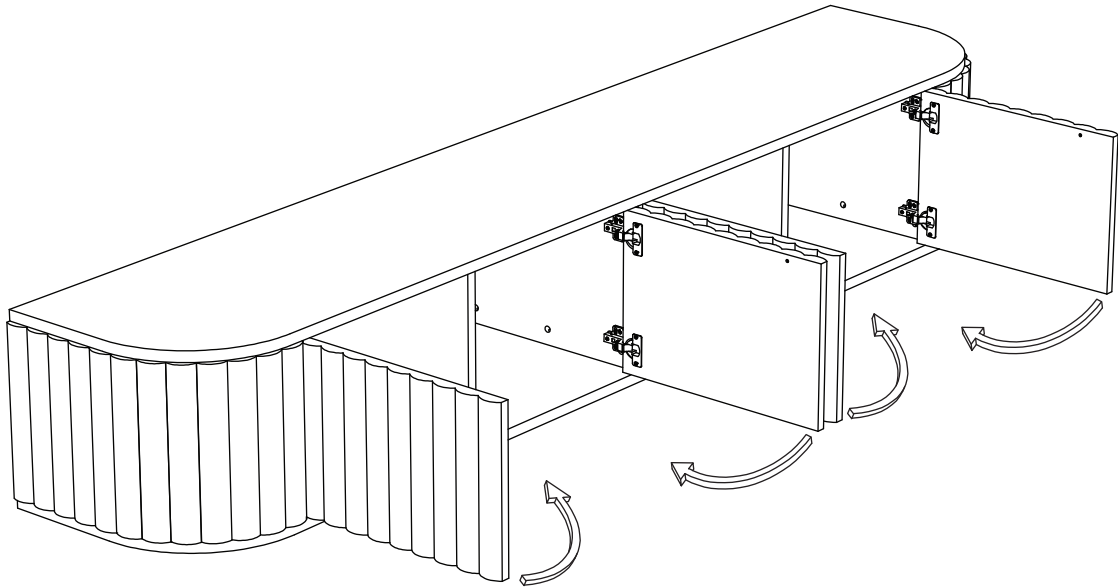


SAFETY NOTE:

For the safety of others you must ensure that this cabinet is secured to the wall mount with the provided screws as shown.

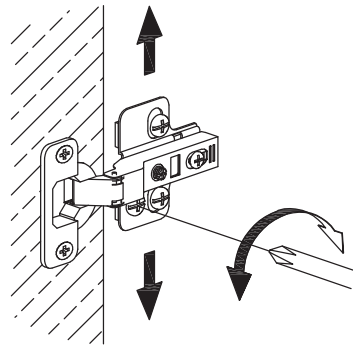
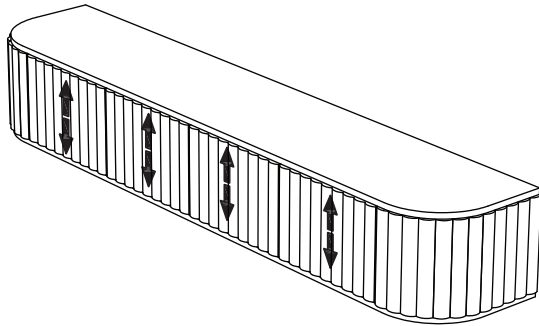
7.

Close the door panel.

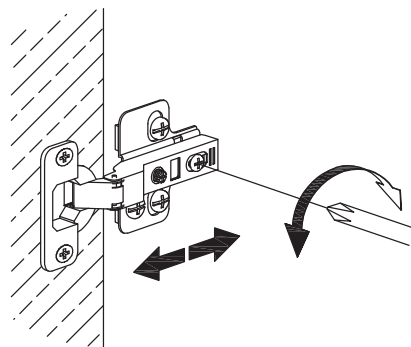
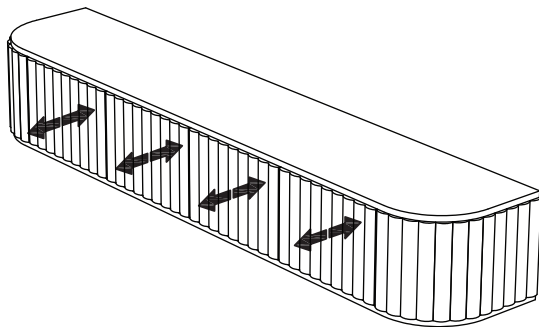


8.

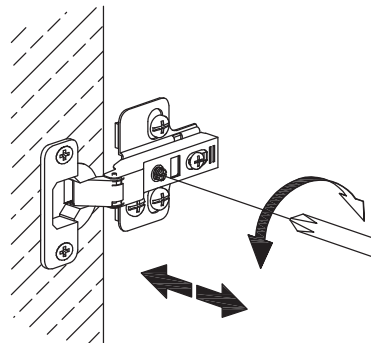
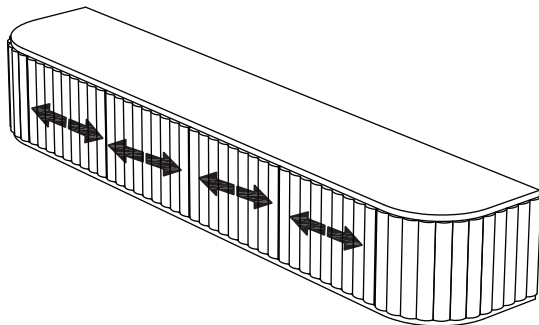
The doors may become misaligned after the transportation. If adjustment is necessary, please follow the steps below:



To move doors up or down: loosen or tighten the screws on the hinge plate, as shown.



To move doors in or out: Loosen or tighten the screws on the hinge plate, as shown.

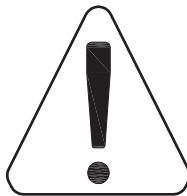
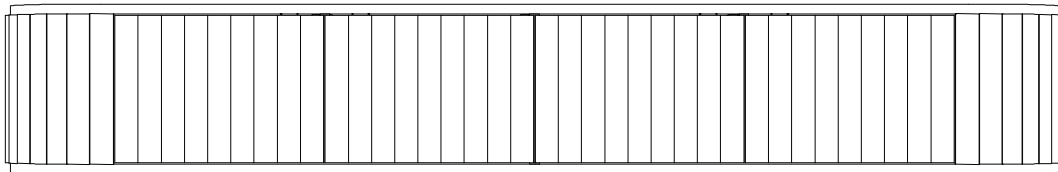
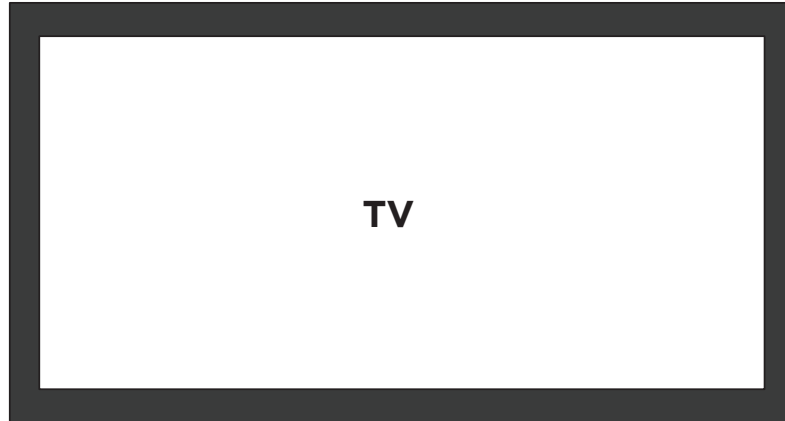


To move doors left or right: Loosen or tighten the screws to suit, as shown.

9.

Assembly is complete.

Maximum weight capacity of this unit is 20 KGS



THIS PRODUCT IS FINISHED WITH LACQUER

Avoid placing hot items directly onto the surface unless using a thick insulation material such as placemats or coasters. Heat may lead to discolouration or other damage to the surface of the product.

Use a soft cloth that has been dampened in water to clean the surface of this product. Do not use abrasive cleaners, furniture wax or polish on the surface of this product, as it may damage the surface.

CAUTION: FREQUENT EXPOSURE TO DIRECT SUNLIGHT OR SIMILAR SOURCES MAY CAUSE THE SURFACE TO DISCOLOUR OR FADE.