

---

### **Quinn Corner Chaise with Open End - Right Chaise**

# Read first, enjoy forever

## Assembly tips

- Assemble your product on a level surface and lay something soft underneath to protect potential floor damage.
- Don't over tighten screws. During assembly we recommend tightening to approximately 70% tightness. Only tighten hardware 100% when fully assembled.
- Keep children away from assembly area as bags and small parts can pose a choking hazard.
- Make sure you have enough space to layout parts before starting. We recommend assembling your item in its final location.
- Do not stand on or put weight on the parts as it may warp or damage product.
- We do not recommend the use of drills or power tools (unless specified) as it may damage the product or hardware. Use hand held screwdrivers only.
- It is best that two people assemble the product as some products may be too heavy for one person. Check this booklet for guidance.

## Safety, care and maintenance

- To reduce the risk of injury, always secure storage furniture to walls and/or floors by using tip-over restraints.
- Never let children climb or hang on drawers, doors or shelves.
- To protect your product and your home, we recommend using coasters, placemats, rugs and other protective items.
- Screws may loosen over time. We recommend setting a reminder to tighten up every six months.
- Remove any liquid spills immediately using a clean cloth with mild detergent. Do not use bleach or abrasive cleaners. Always test any cleaning agent in an inconspicuous spot first to know if it is suitable.

## Recycling

We hope that you love your product forever, but we know situations change. In the event that you wish to dispose of your product please consider some creative ways to give it a new home:

- If it's still in great shape, sell it on your favourite online marketplace!
- Give it a second life by affording it a fresh coat of paint.
- If you must dispose of it, why not donate it to your local charity or shelter for someone else to enjoy.

Please dispose of this product and packaging responsibly and recycle where possible. Scan the QR code to read more about Temple and Webster's commitment to a more sustainable future.



**TEMPLE &  
WEBSTER**

Damaged or missing parts? Or just need help?  
Contact us on [service@templeandwebster.com.au](mailto:service@templeandwebster.com.au)

# Parts list

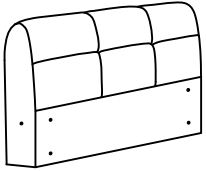
## ASSEMBLY INSTRUCTIONS

### Quinn Corner Chaise with Open End - Right Chaise ATQCCRGN\_ATQCCRBH

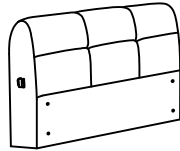
NUMBER OF PEOPLE REQUIRED FOR ASSEMBLY:

**2**

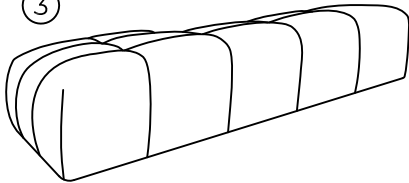
①



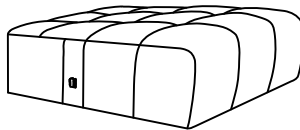
②



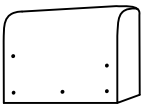
③


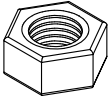
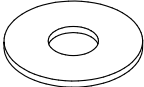
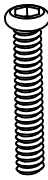
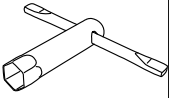

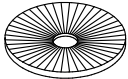
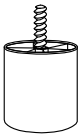


④



⑤

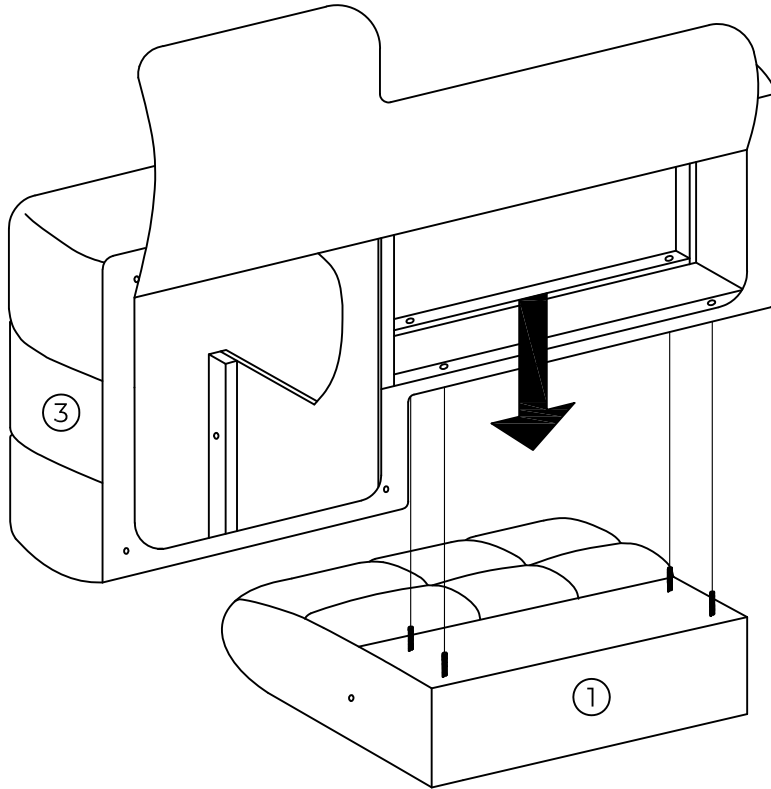


<p>A</p>  <p>13 PCS Bolt M8x120</p>	<p>B</p>  <p>13 PCS Nut M8/12</p>	<p>C</p>  <p>14 PCS Washer ø9/ø25</p>	<p>D</p>  <p>1 PCS Bolt M8x75</p>	<p>E</p>  <p>1 PCS Spanner 12</p>	<p>F</p>  <p>1 PCS Allen key 5</p>	<p>G</p>  <p>10 PCS Washer ø50x2</p>	<p>H</p>  <p>10 PCS Leg ø48x47</p>
--	--	--	--	--	---	---	---



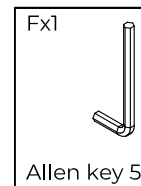
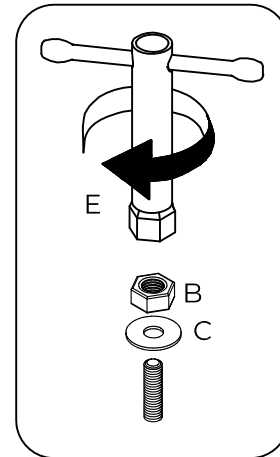
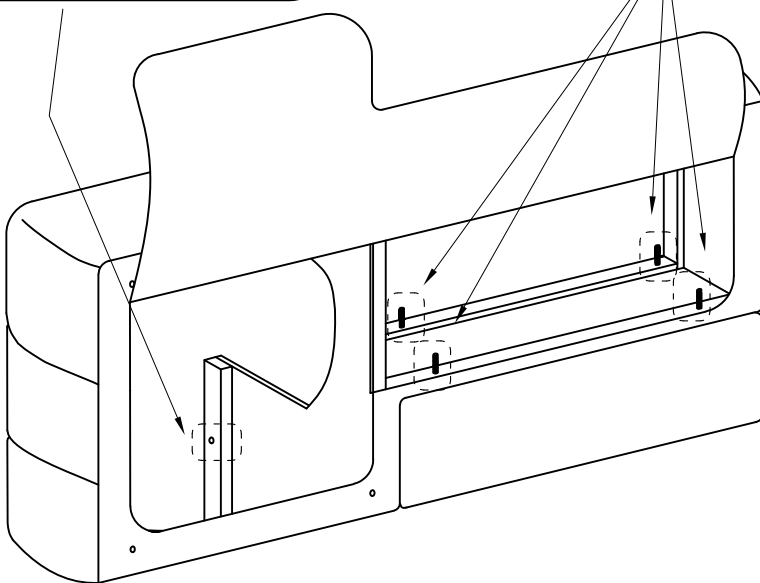
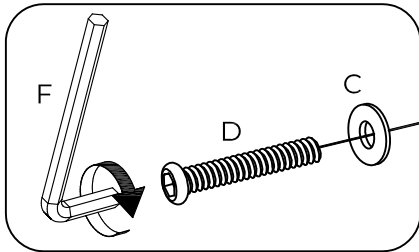
### 3.

Install the back frame (1) on the seat frame (3).



### 4.

Attach the sofa back (1) on the seat frame (3) by using 1 x Bolt (D), 5 x washer (C) and 4 x Nut (B). Tighten with Spanner (E).



Fx1  
Allen key 5

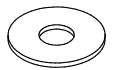
#### You will need:

Bx4



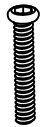
Nut M8/12

Cx5



Washer  $\varnothing 9/\varnothing 25$

Dx1



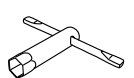
Bolt M8x75

Fx1



Fx1  
Allen key 5

Ex1



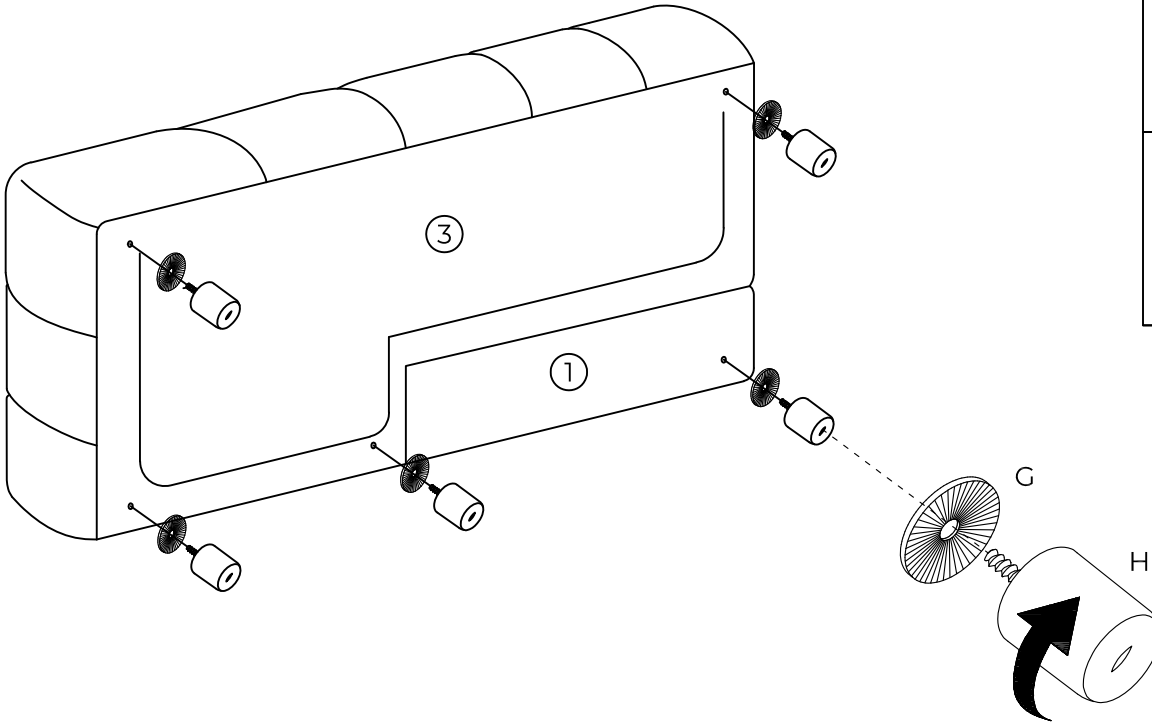
Ex1  
Spanner 12

**TEMPLE &  
WEBSTER**

Damaged or missing parts? Or just need help?  
Contact us on [service@templeandwebster.com.au](mailto:service@templeandwebster.com.au)

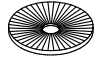
# 5.

Install 5 x plastic legs (H) together with plastic washer (G) on seat frame



### You will need:

Gx5



Washer  $\varnothing 50 \times 2$

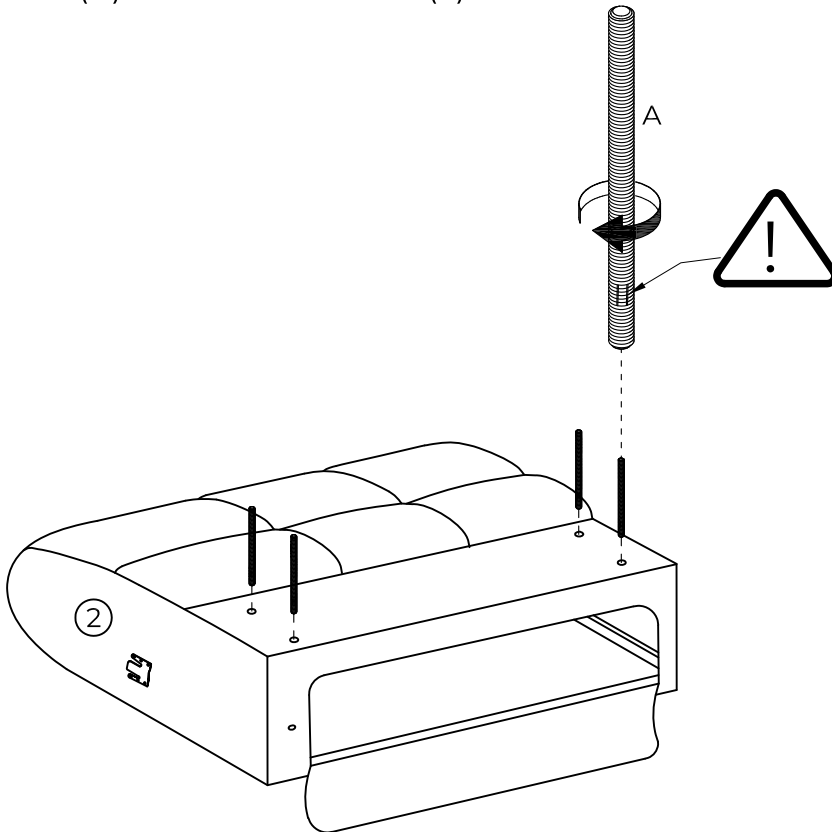
Hx5



Leg  $\varnothing 48 \times 47$

# 6.

Insert 4 Bolt (A) into the sofa back (2).



### You will need:

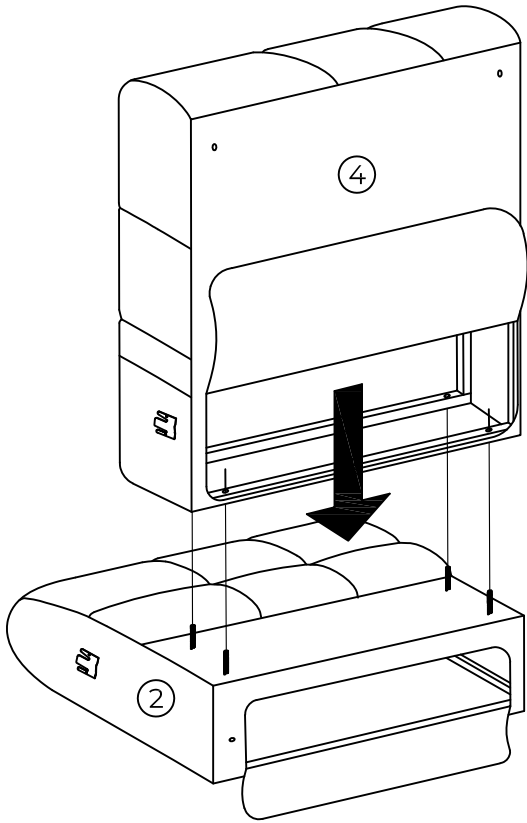
Ax4



Bolt M8x120

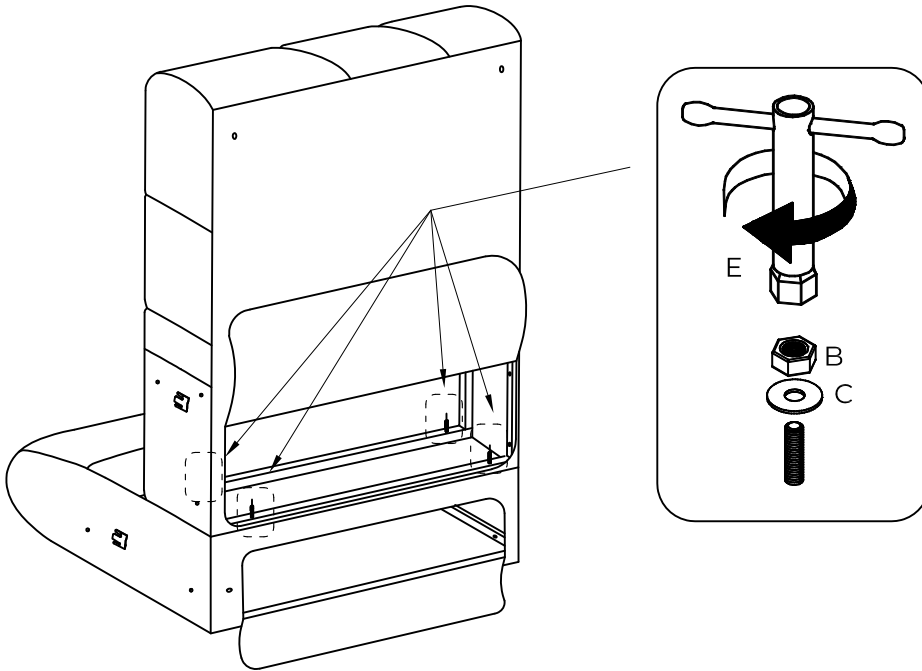
# 7.

Install the back frame (2) on the seat frame (4).



# 8.

Attach the sofa back (2) on the seat frame (4) by using 4 x washer (C) and 4 x Nut (B). Tighten with Spanner (E).



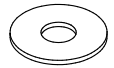
## You will need:

Bx4



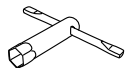
Nut M8/12

Cx4



Washer  $\varnothing 9/\varnothing 25$

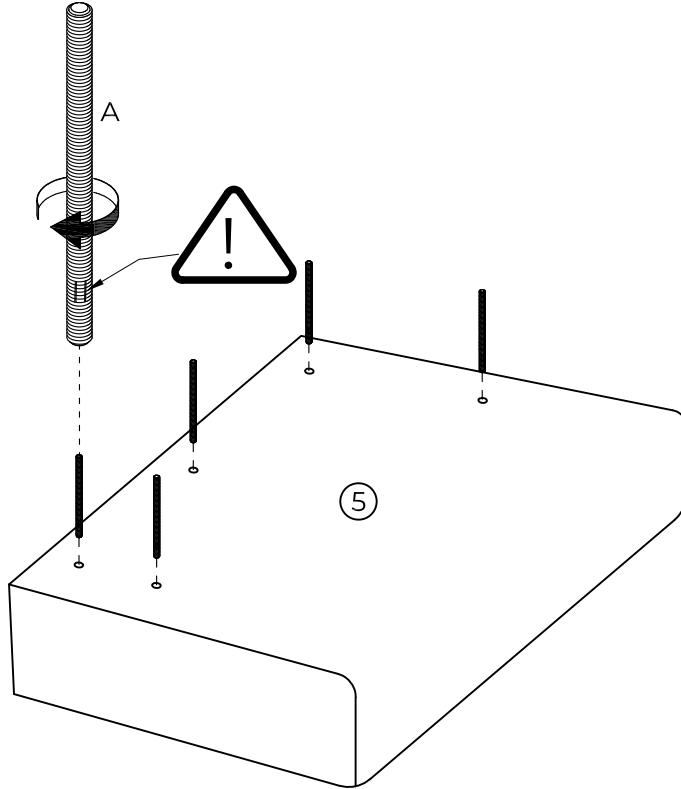
Ex1



Spanner 12

**9.**

Insert 5 Bolt (A) into the armrest (5).



**You will need:**

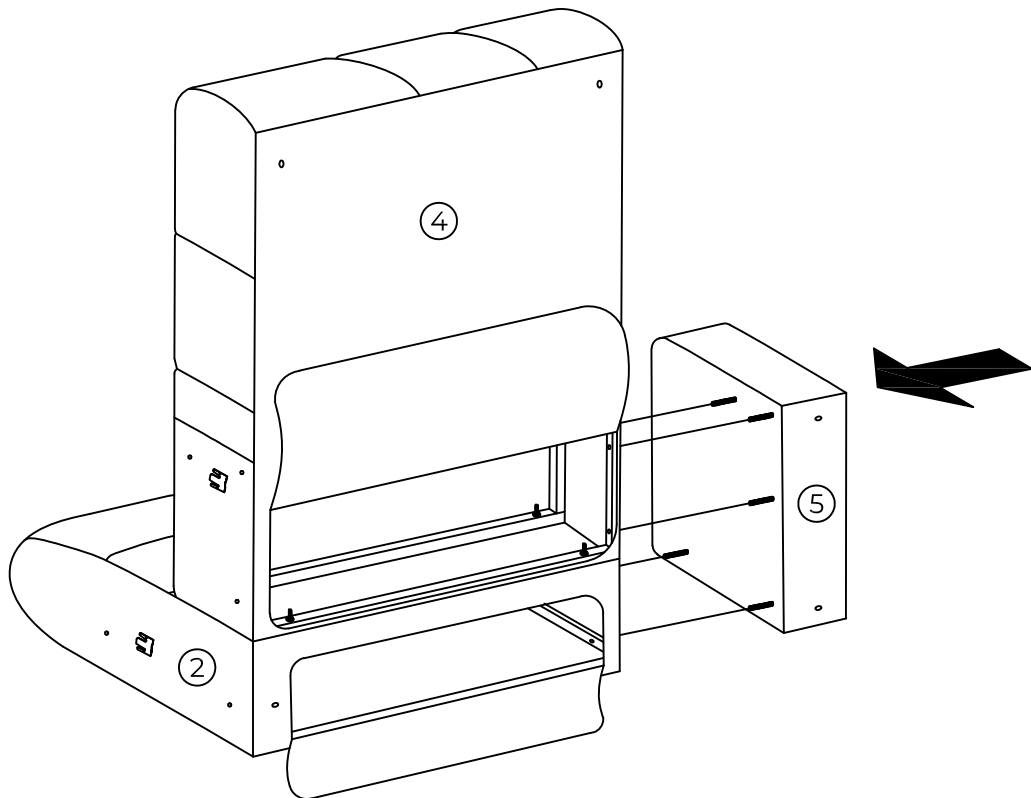
Ax5



Bolt M8x120

**10.**

Install the armrest (5) on the seat frame (4).

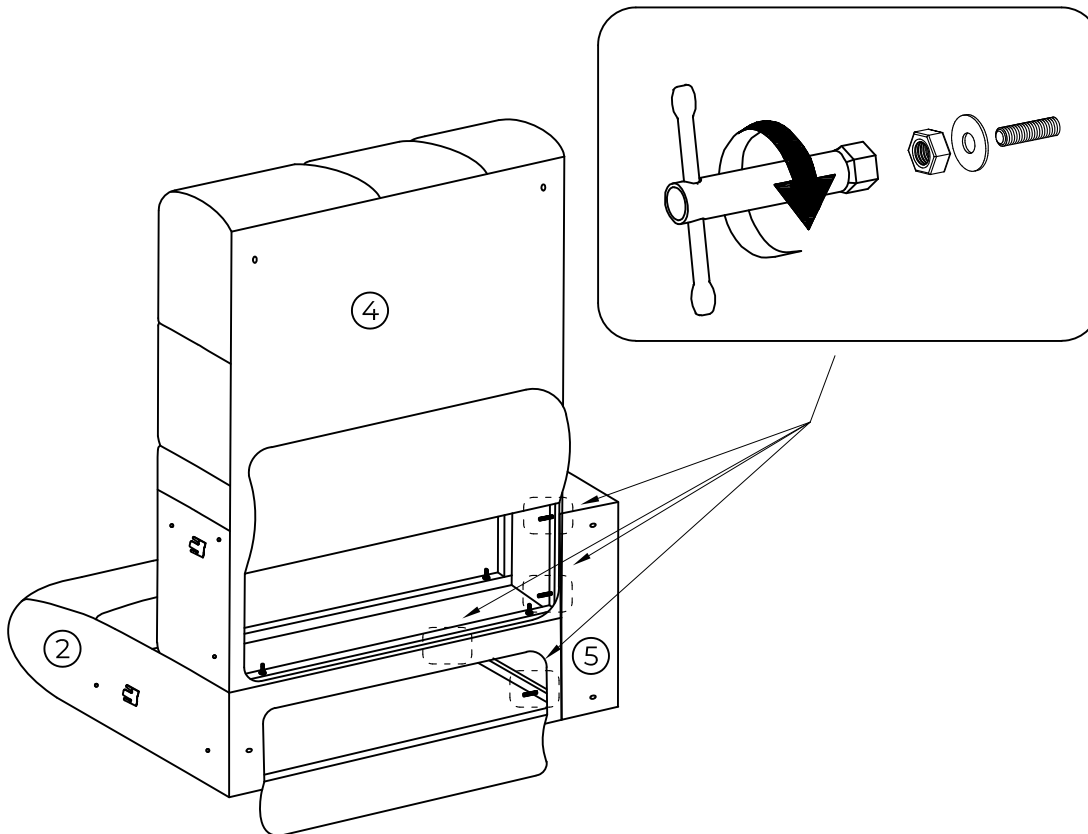


**TEMPLE &  
WEBSTER**

Damaged or missing parts? Or just need help?  
Contact us on [service@templeandwebster.com.au](mailto:service@templeandwebster.com.au)

# 11.

Attach the armrest (5) on the seat frame (4) and sofa bag (2) by using the 4 x washer (C) and 4 x Nut (B). Tighten with Spanner (E).



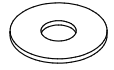
## You will need:

Bx4



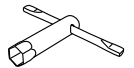
Nut M8/12

Cx4



Washer  $\varnothing 9/\varnothing 25$

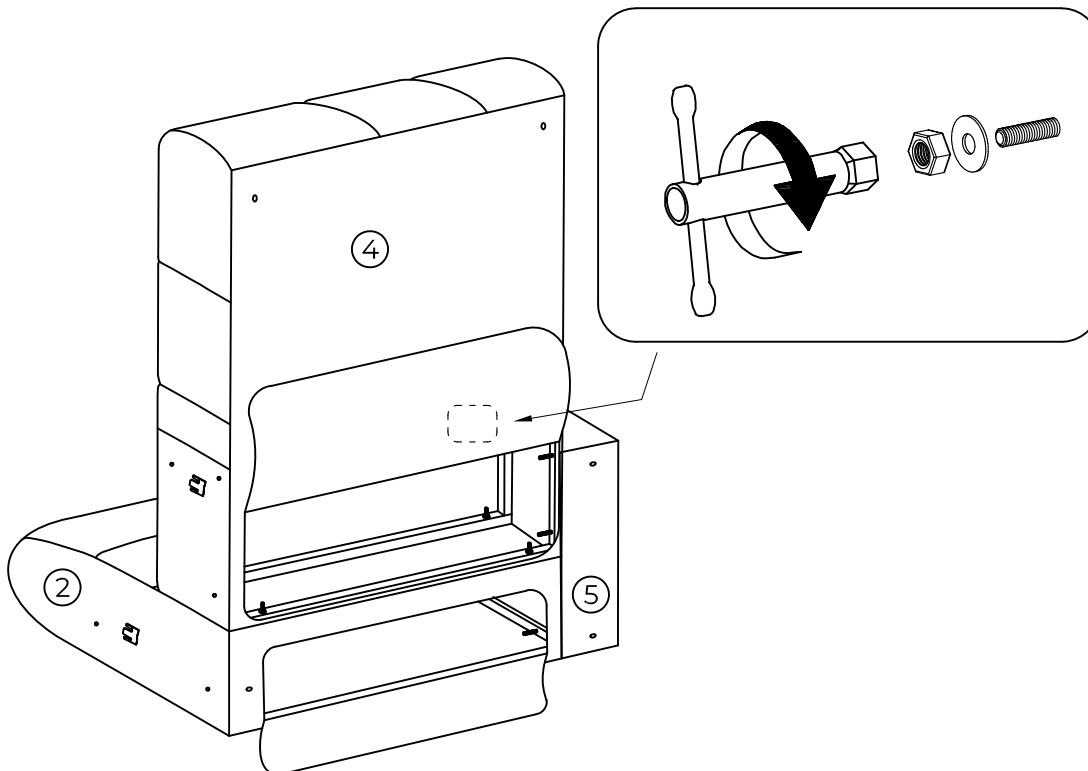
Ex1



Spanner 12

# 12.

Install 1 x washer (C) and 1 Nut (B). Tighten with spanner (E).



## You will need:

Bx1



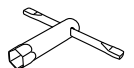
Nut M8/12

Cx1



Washer  $\varnothing 9/\varnothing 25$

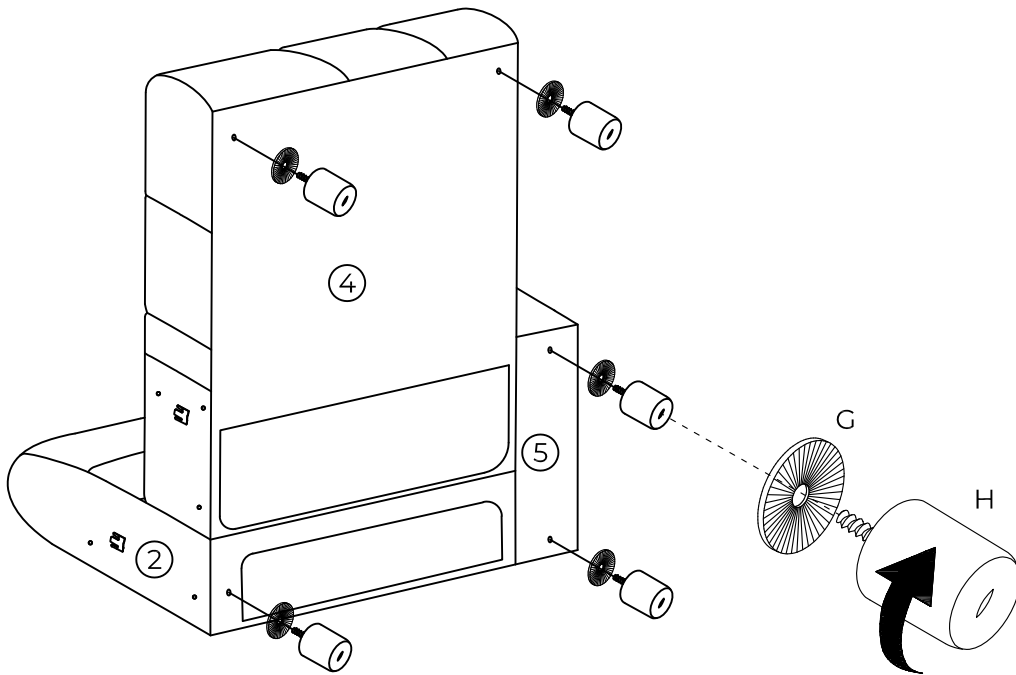
Ex1



Spanner 12

# 13.

Install 5 x plastic legs (H) together with plastic washer (G) on seat frame



## You will need:

Gx5



Washer  $\varnothing 50 \times 2$

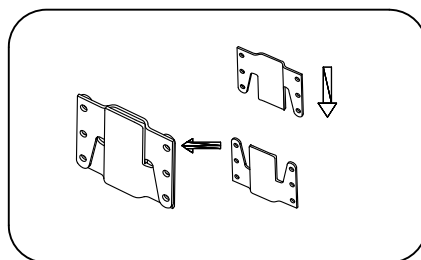
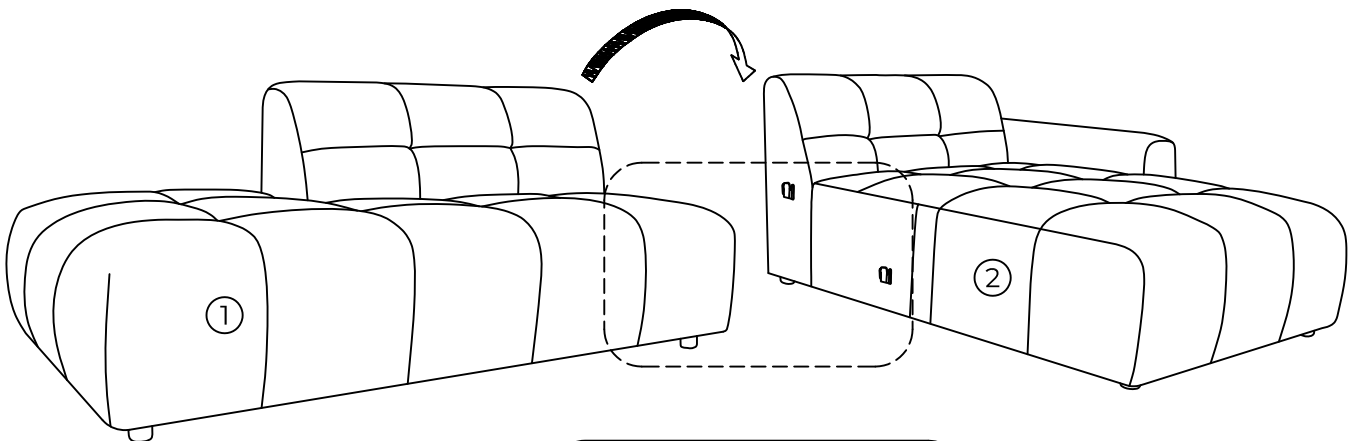
Hx5



Leg  $\varnothing 48 \times 47$

# 14.

Attach the Chaise module with the Open End module.



**TEMPLE &  
WEBSTER**

Damaged or missing parts? Or just need help?  
Contact us on [service@templeandwebster.com.au](mailto:service@templeandwebster.com.au)

# 15.

---

Sofa assembly finished.

