

Banjo Storage 4 Tier Bookcase

Read first, enjoy forever

Assembly tips

- Assemble your product on a level surface and lay something soft underneath to protect potential floor damage.
- Don't over tighten screws. During assembly we recommend tightening to approximately 70% tightness. Only tighten hardware 100% when fully assembled.
- Keep children away from assembly area as bags and small parts can pose a choking hazard.
- Make sure you have enough space to layout parts before starting. We recommend assembling your item in its final location.
- Do not stand on or put weight on the parts as it may warp or damage product.
- We do not recommend the use of drills or power tools (unless specified) as it may damage the product or hardware. Use hand held screwdrivers only.
- It is best that two people assemble the product as some products may be too heavy for one person. Check this booklet for guidance.

Safety, care and maintenance

- To reduce the risk of injury, always secure storage furniture to walls and/or floors by using tip-over restraints.
- Never let children climb or hang on drawers, doors or shelves.
- To protect your product and your home, we recommend using coasters, placemats, rugs and other protective items.
- Screws may loosen over time. We recommend setting a reminder to tighten up every six months.
- Remove any liquid spills immediately using a clean cloth with mild detergent. Do not use bleach or abrasive cleaners. Always test any cleaning agent in an inconspicuous spot first to know if it is suitable.

Recycling

We hope that you love your product forever, but we know situations change. In the event that you wish to dispose of your product please consider some creative ways to give it a new home:

- If it's still in great shape, sell it on your favourite online marketplace!
- Give it a second life by affording it a fresh coat of paint.
- If you must dispose of it, why not donate it to your local charity or shelter for someone else to enjoy.

Please dispose of this product and packaging responsibly and recycle where possible. Scan the QR code to read more about Temple and Webster's commitment to a more sustainable future.



Important safety instructions

DANGER!

Children have died from furniture tip over.

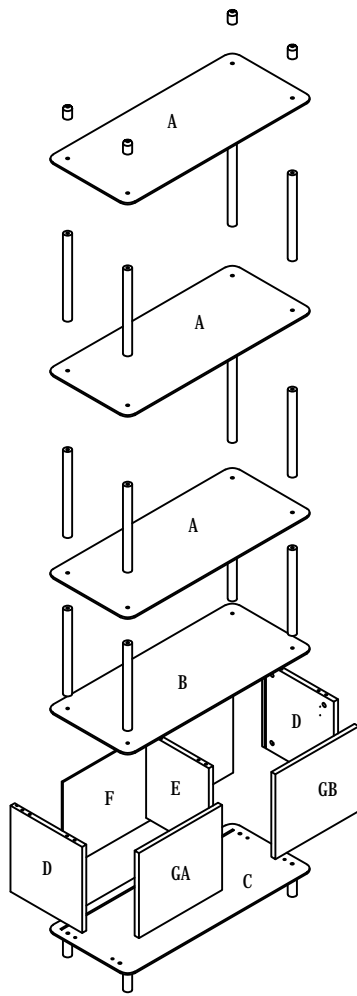
Toppling Hazard Warning

- ALWAYS secure items with an anchor device
- For safety reasons, we recommend you follow the provided instructions
- When installed properly, the provided hardware may prevent the unit from tipping over unexpectedly.
- Never let children climb or hang on drawers, doors or shelves.
- NEVER open more than one drawer at a time
- Place heavy items down low
- For advice on suitable fastening devices, contact your local specialized dealer



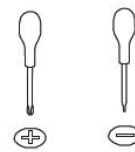
ASSEMBLY INSTRUCTIONS
 Banjo Storage 4 Tier Bookcase
 BZBCSTOA



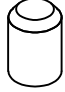





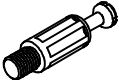






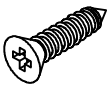



Parts list



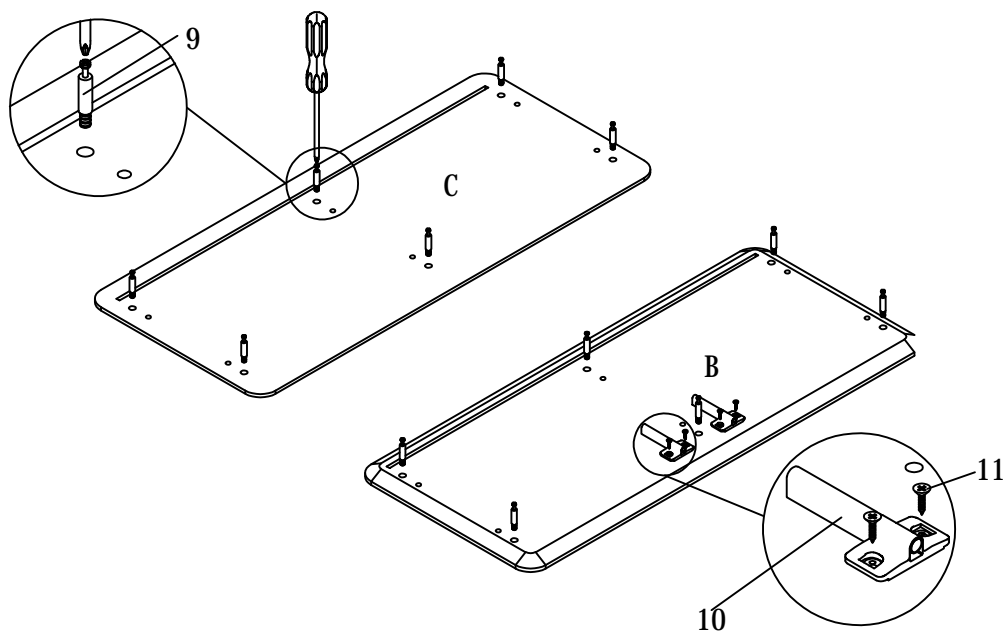
NUMBER OF PEOPLE REQUIRED FOR ASSEMBLY:
2

TOOLS REQUIRED FOR ASSEMBLY



1  16 PCS	2  4 PCS	3  4 PCS	4  2 PCS	5  12 PCS
6  8 PCS	7  2 PCS	8  2 PCS	9  12 PCS	10  2 PCS
11  28 PCS	12  12 PCS	13  12 PCS	14  4 PCS	15  4 PCS
16  4 PCS	17  2 PCS	18  2 PCS	19  4 PCS	

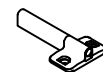
1.



You will need:



9 X 12

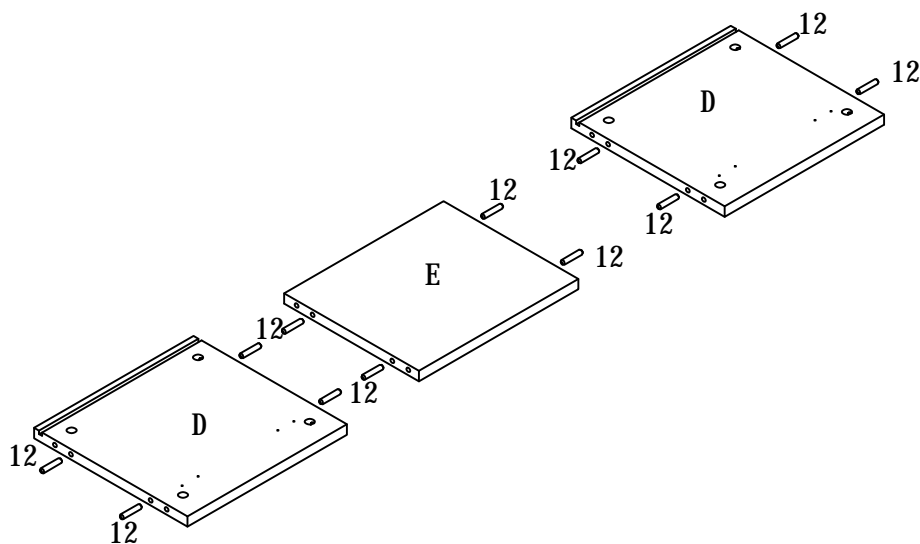


10 X 2



11 X 4

2.

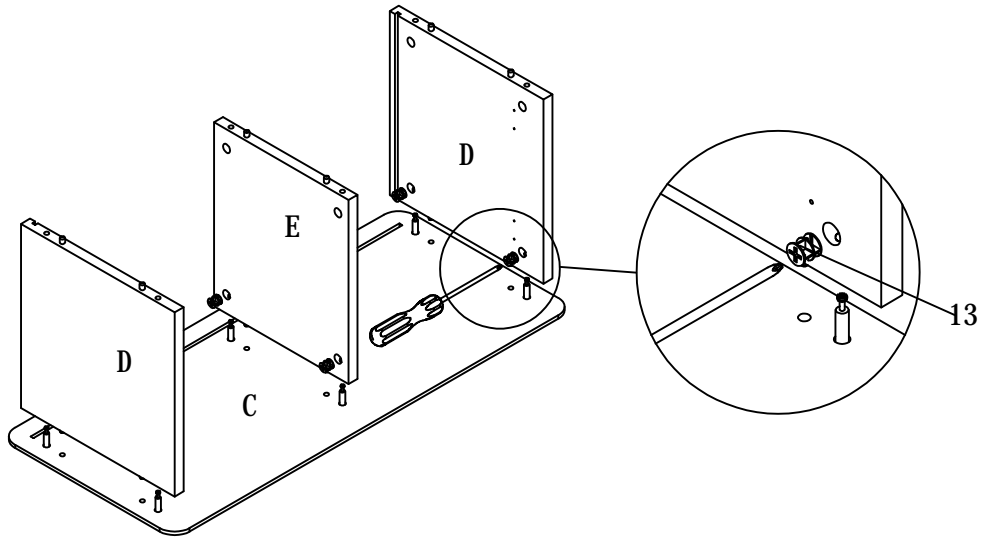


You will need:



12 X 12

3.

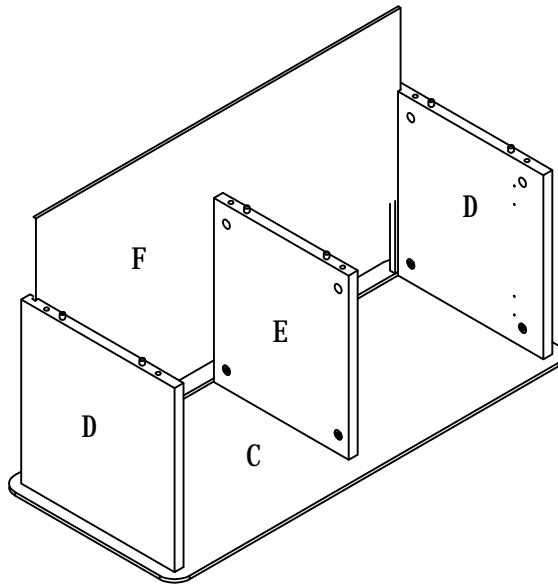


You will need:

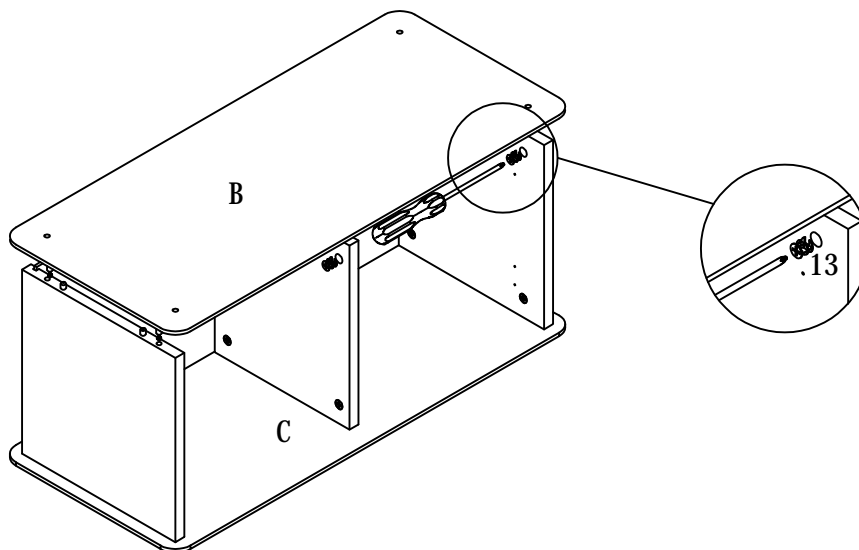


13 X 6

4.



5.

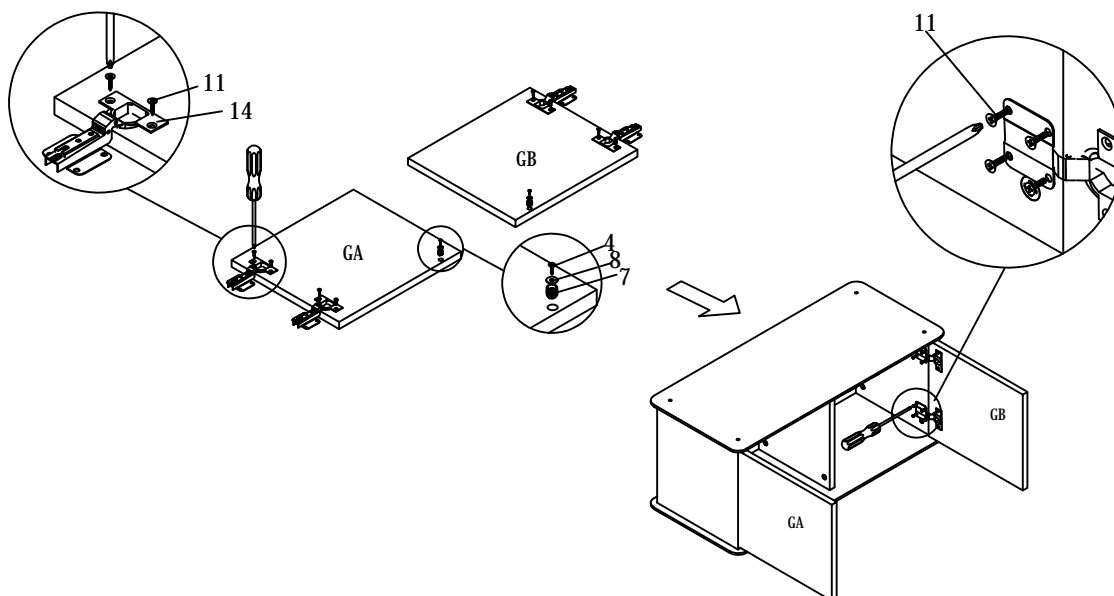


You will need:



13 X 6

6.



You will need:



4 X 2



7 X 2



8 X 2

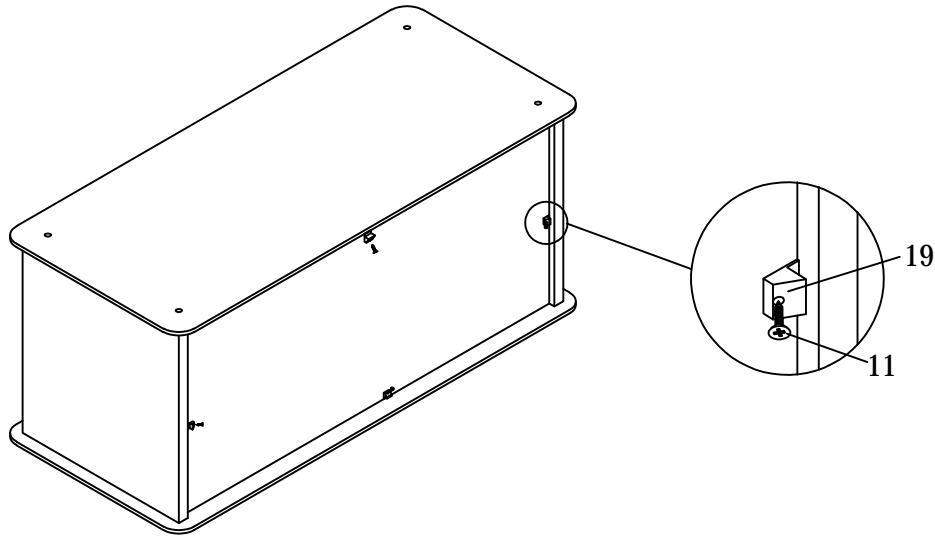


11 X 8



14 X 4

7.



You will need:

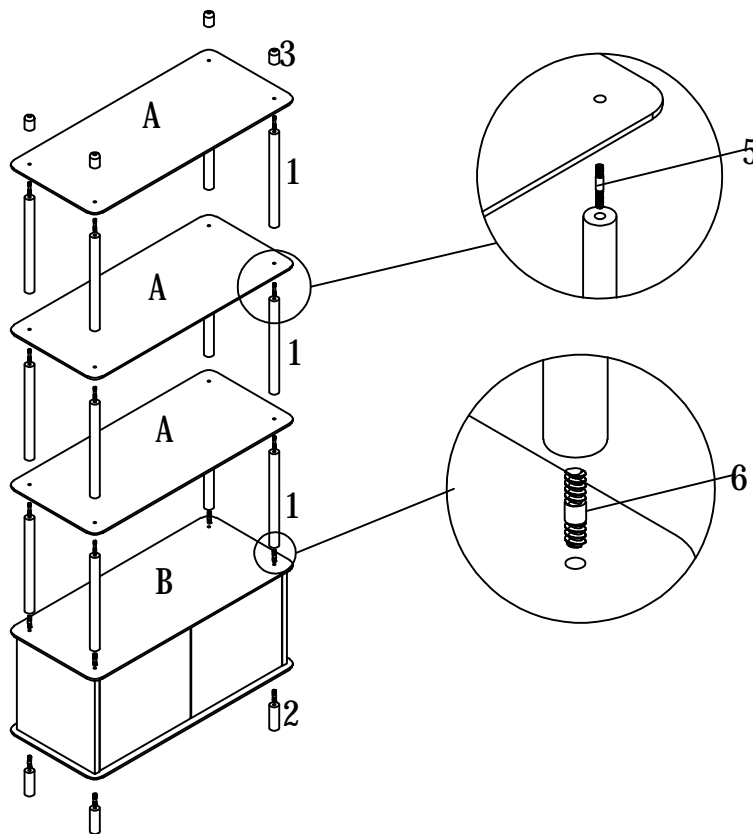


19 X 4



11 X 4

8.



You will need:

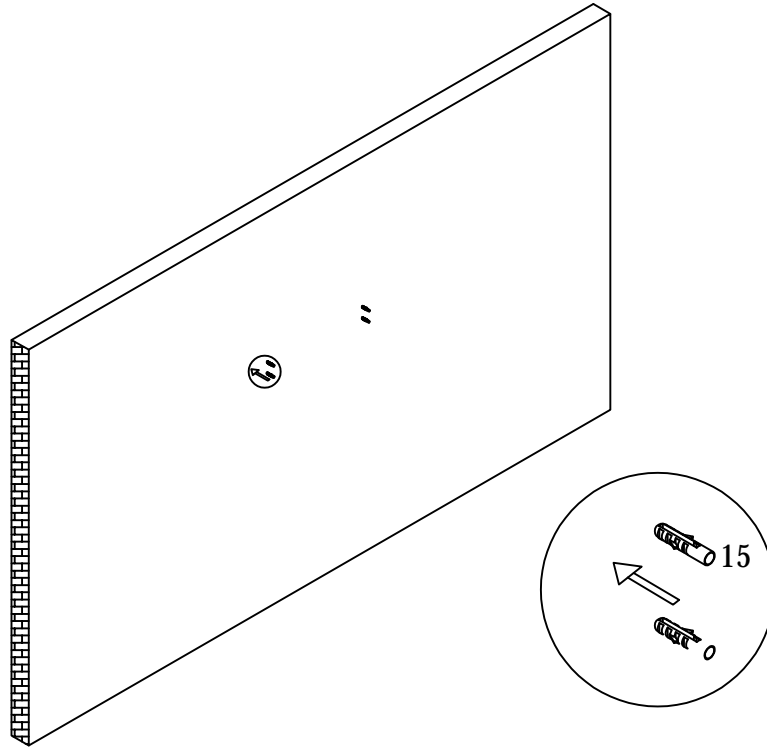


5 X 12



6 X 8

9.

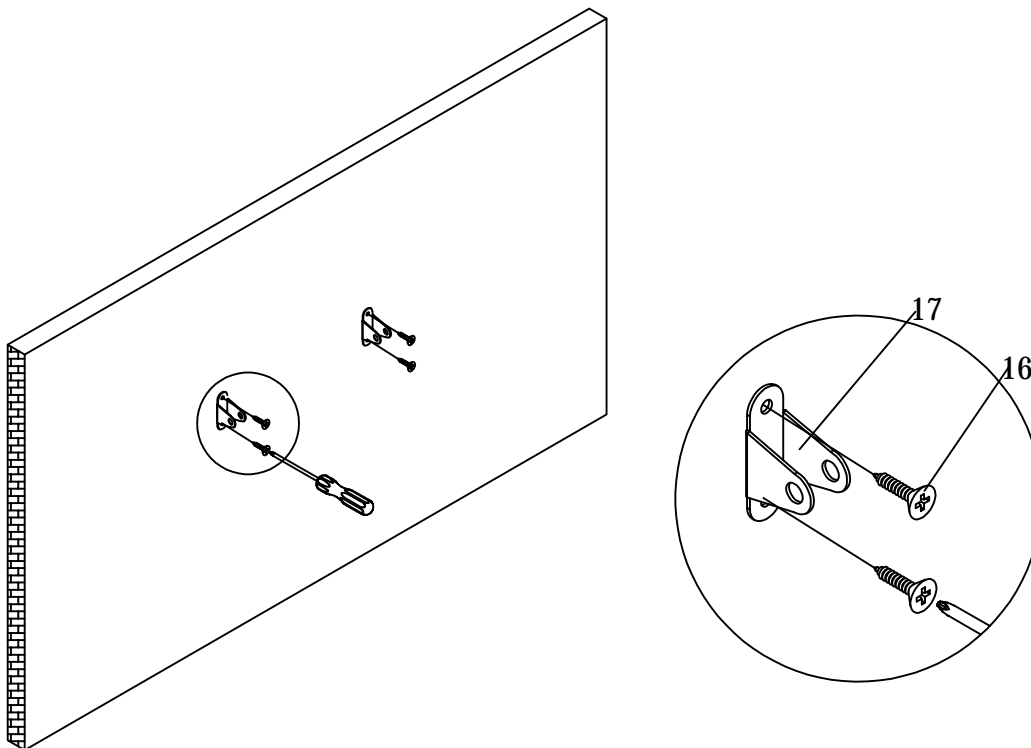


You will need:




15 X 4


10.



You will need:

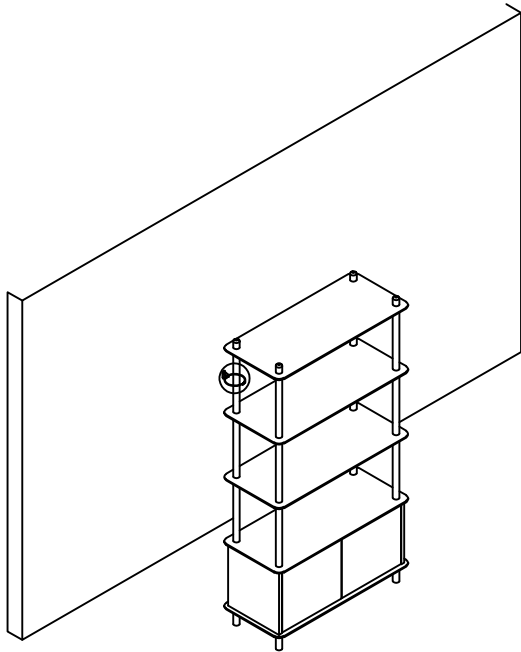


16 X 4



17 X 2

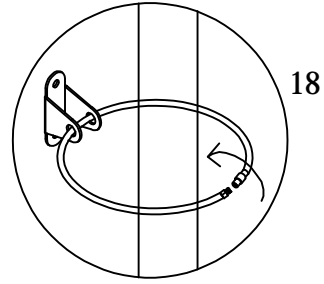
11.



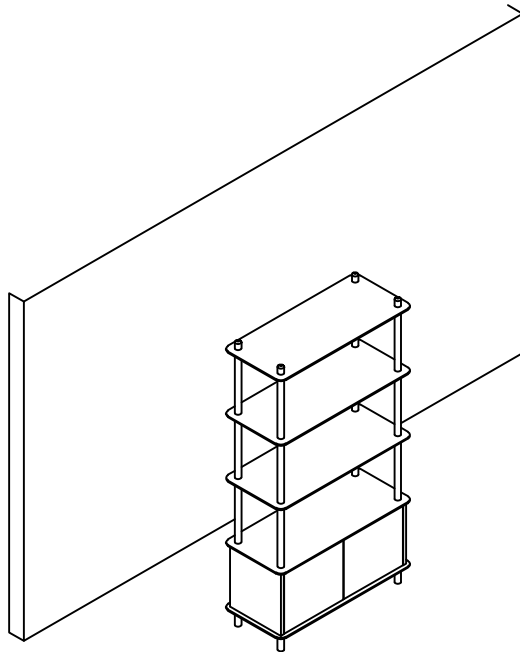
You will need:



18 X 2







12.



STANDARD TIP KIT INSTRUCTIONS

FITTINGS AND PARTS CHECKLIST

Item	Description	QTY	Item	Description	Qty
aa	Mounting Plate 	X2	cc	Flat head screw 	x4
bb	Nylon strap 	x2	dd	Plastic wall plug 	x4

Notice: Important Warning

Notice: To prevent injury and property damage from unexpected tipping of furniture, we highly recommend installation of the anti-tip kit included with this product.



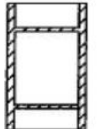
Attaching furniture to wall with anti-tip kits

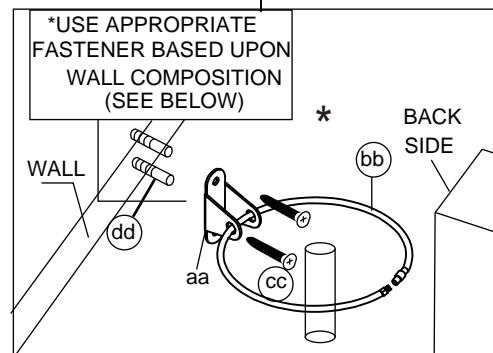
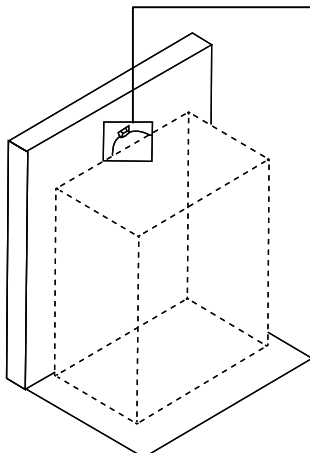
1. Determine where the piece is to be placed and mark location on the wall for the mounting bracket screw holes. They should be placed approximately 1" below the top on the back of the piece of furniture.
2. Drill the hole and use the appropriate wall plug that is suitable for your walls composition.

Warning: Before drilling check wall for hidden pipes and cables.

3. Attach the mounting bracket horizontally to the wall using appropriate fastener, through the holes in the bracket and 2 wall plugs that are suitable to your wall and then tighten securely.
4. Lace the nylon strap down through the brackets and shelf. Slide the thin end of the strap through the receiving end on the nylon strap. Pull to tighten the piece of furniture snug against wall.

* The installation tips for wall anchors

<p>Tip1. </p> <p>Wood</p>	<p>If fixing to wood make sure that it isn't chipboard as screws can easily pull away from the core structure</p>
<p>Tip2. </p> <p>Brick or Masonry</p>	<p>Use an appropriate wall plug, provided you are sure your wall is sound.</p>
<p>Tip3. </p> <p>Cavity Wall</p>	<p>Special toggle wall plugs are needed. Please seek expert advice</p>



CARE INSTRUCTIONS:

1. Hardware may loosen overtime. Periodically check that all connections are tight and re-tighten as necessary.
2. Wipe with a soft, dry cloth. To protect finish, avoid the use of chemicals and household cleaners.