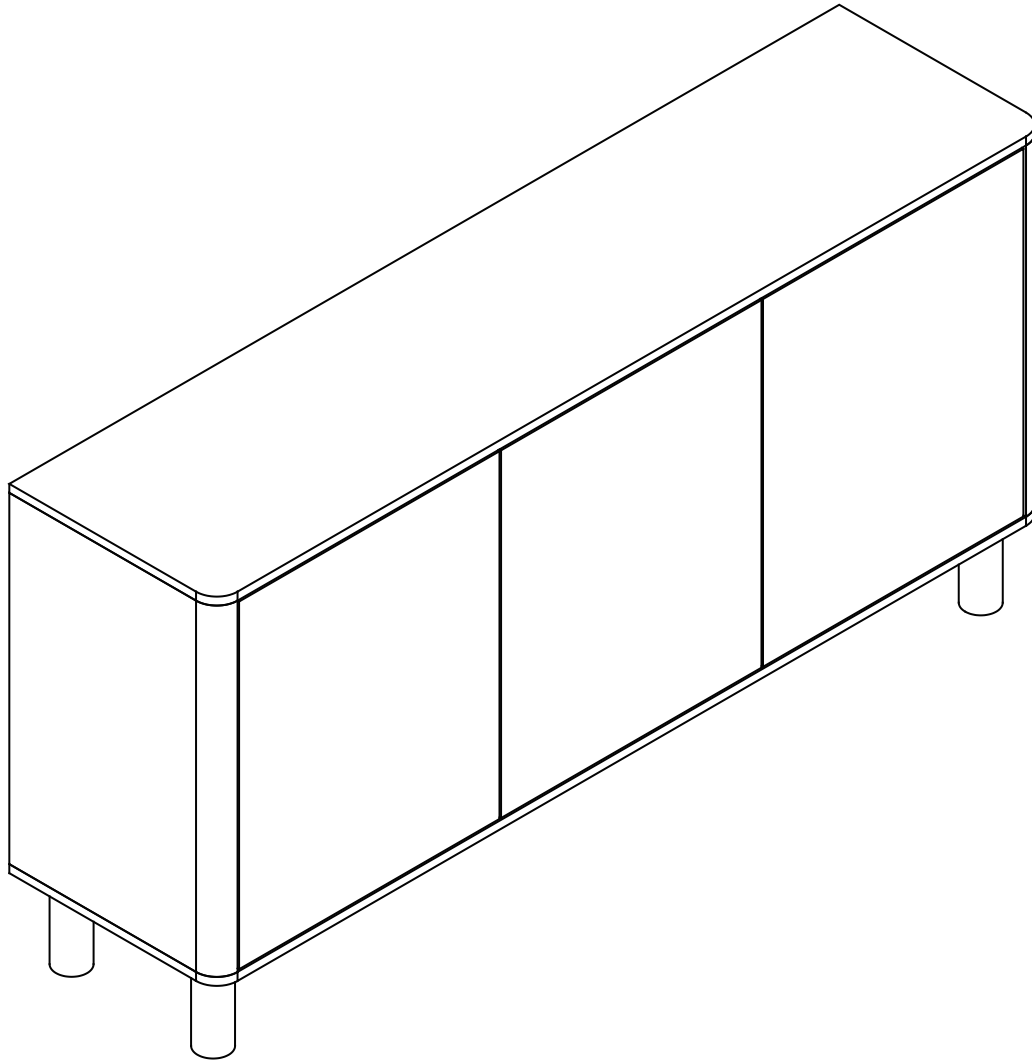


**TEMPLE &
WEBSTER**

**ASSEMBLY
INSTRUCTIONS**



Rupert Sideboard Buffet

Read first, enjoy forever

Assembly tips

- Assemble your product on a level surface and lay something soft underneath to protect potential floor damage.
- Don't over tighten screws. During assembly we recommend tightening to approximately 70% tightness. Only tighten hardware 100% when fully assembled.
- Keep children away from assembly area as bags and small parts can pose a choking hazard.
- Make sure you have enough space to layout parts before starting. We recommend assembling your item in its final location.
- Do not stand on or put weight on the parts as it may warp or damage product.
- We do not recommend the use of drills or power tools (unless specified) as it may damage the product or hardware. Use hand held screwdrivers only.
- It is best that two people assemble the product as some products may be too heavy for one person. Check this booklet for guidance.

Safety, care and maintenance

- To reduce the risk of injury, always secure storage furniture to walls and/or floors by using tip-over restraints.
- Never let children climb or hang on drawers, doors or shelves.
- To protect your product and your home, we recommend using coasters, placemats, rugs and other protective items.
- Screws may loosen over time. We recommend setting a reminder to tighten up every six months.
- Remove any liquid spills immediately using a clean cloth with mild detergent. Do not use bleach or abrasive cleaners. Always test any cleaning agent in an inconspicuous spot first to know if it is suitable.

Recycling

We hope that you love your product forever, but we know situations change. In the event that you wish to dispose of your product please consider some creative ways to give it a new home:

- If it's still in great shape, sell it on your favourite online marketplace!
- Give it a second life by affording it a fresh coat of paint.
- If you must dispose of it, why not donate it to your local charity or shelter for someone else to enjoy.

Please dispose of this product and packaging responsibly and recycle where possible. Scan the QR code to read more about Temple and Webster's commitment to a more sustainable future.



Important safety instructions

DANGER!

Children have died from furniture tip over.

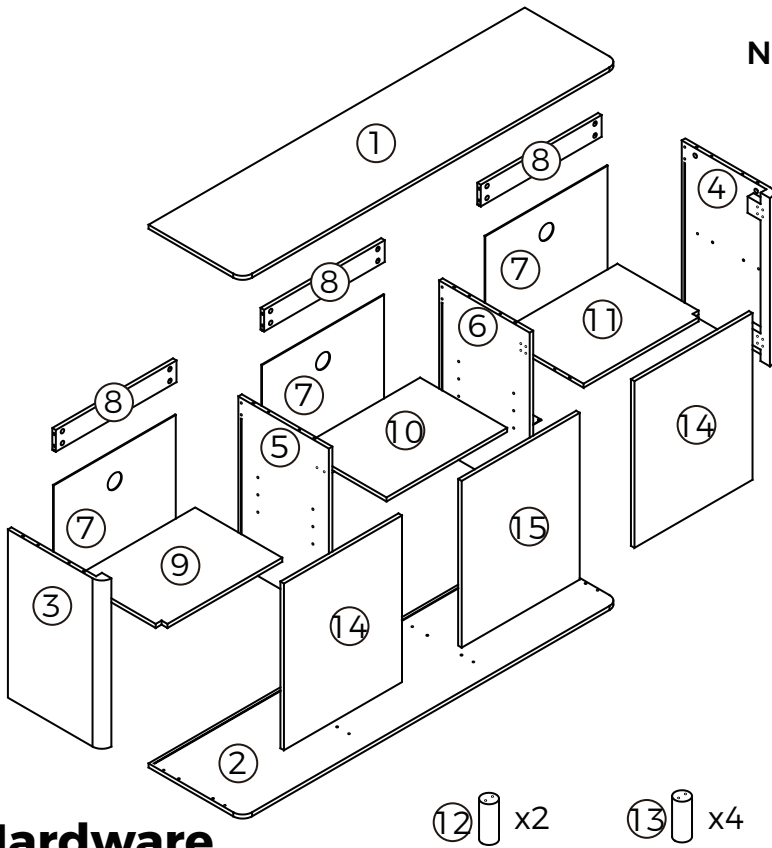
Toppling Hazard Warning

- ALWAYS secure items with an anchor device
- For safety reasons, we recommend you follow the provided instructions
- When installed properly, the provided hardware may prevent the unit from tipping over unexpectedly.
- Never let children climb or hang on drawers, doors or shelves.
- NEVER open more than one drawer at a time
- Place heavy items down low
- For advice on suitable fastening devices, contact your local specialized dealer



Parts List

Rupert Sideboard Buffet
FJRUSBOK



NUMBER OF PEOPLE REQUIRED FOR ASSEMBLY:

1

TOOLS REQUIRED FOR ASSEMBLY



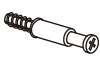














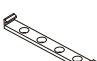


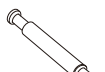

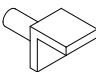


BOX 1 of 2: 1, 2, 3, 4, 8,
Hardware

BOX 2 of 2:
5, 6, 7, 9, 10, 11, 12, 13, 14, 15

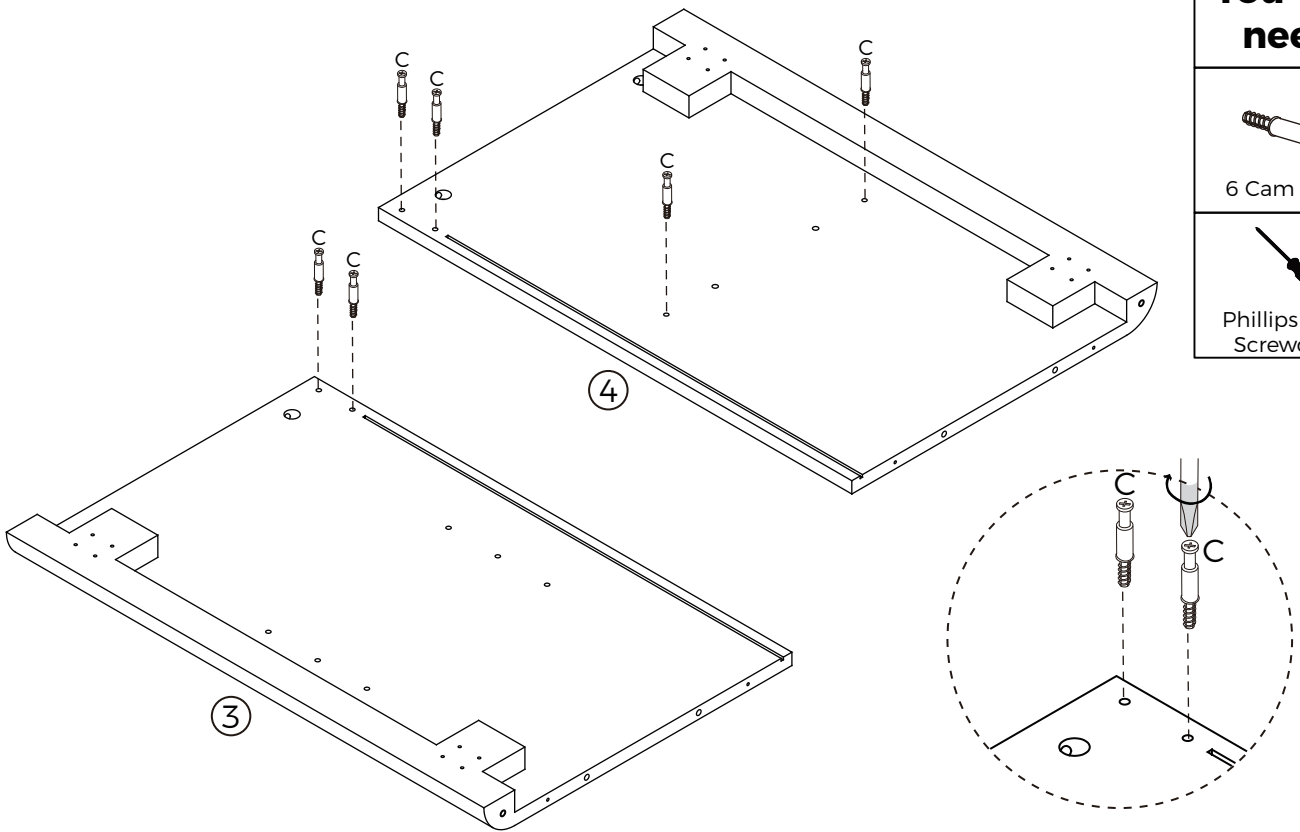
Hardware

(12) x2 (13) x4

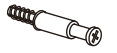
A  Dowels x24	B  Screws x20	C  Cam Bolts x16	D  Cam Nuts x24	E  Screw x36	F  Hinges x4	G  Brackets x6	H  Screws x24
I  Adjusters x2	J  Wedge x8	K  Wedge Screws x8	L  Safety Strap x2	M  Screws x2	N  Wall Plugs x2	O  Wall Screws x2	P  Washers x4
Q  Felt Pads x4	R  Brackets x3	S  Covers x3	T  Hinges x2	U  Long Bolts x4	V  Screws x6	W  Shelf Plug x8	

1.

Attach 6 x Cam Bolts (C) to Left & Right Side Panels [3 & 4] .



You will need



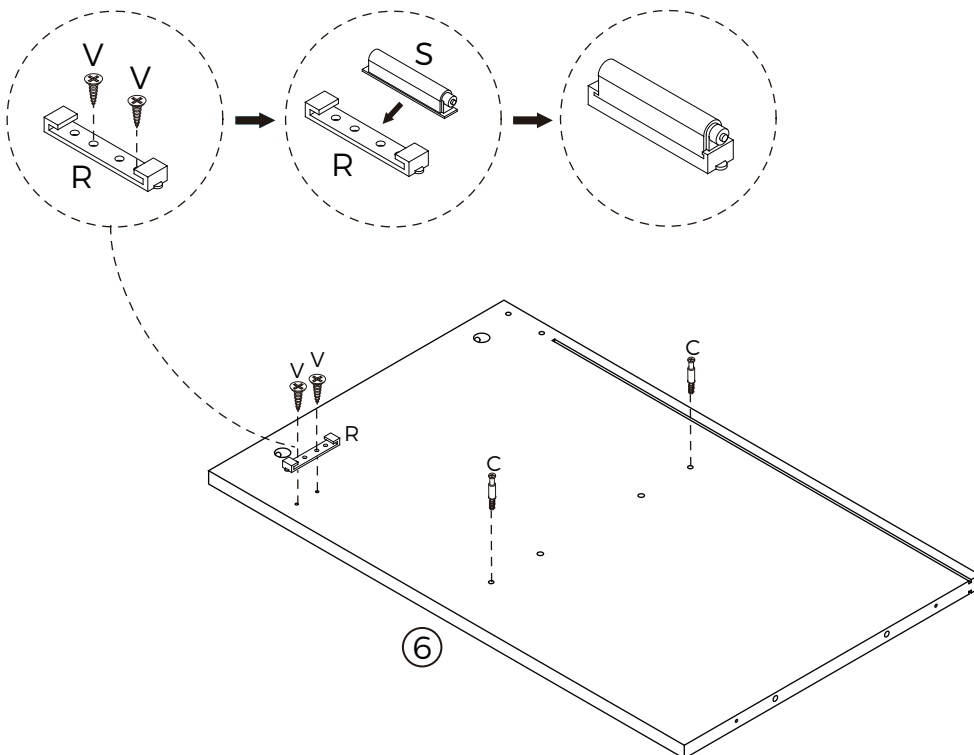
6 Cam Bolts



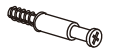
Phillips Head Screwdriver

2.

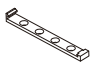
Insert 2 x Bolts (C) into Panel [6] . Attach 1 x Bracket (R) to Panel [6] and secure with 2 x Screws (V). Place 1 x Cover (S) over the Bracket (R) .



You will need



2 Cam Bolts



1 Brackets



1 Covers



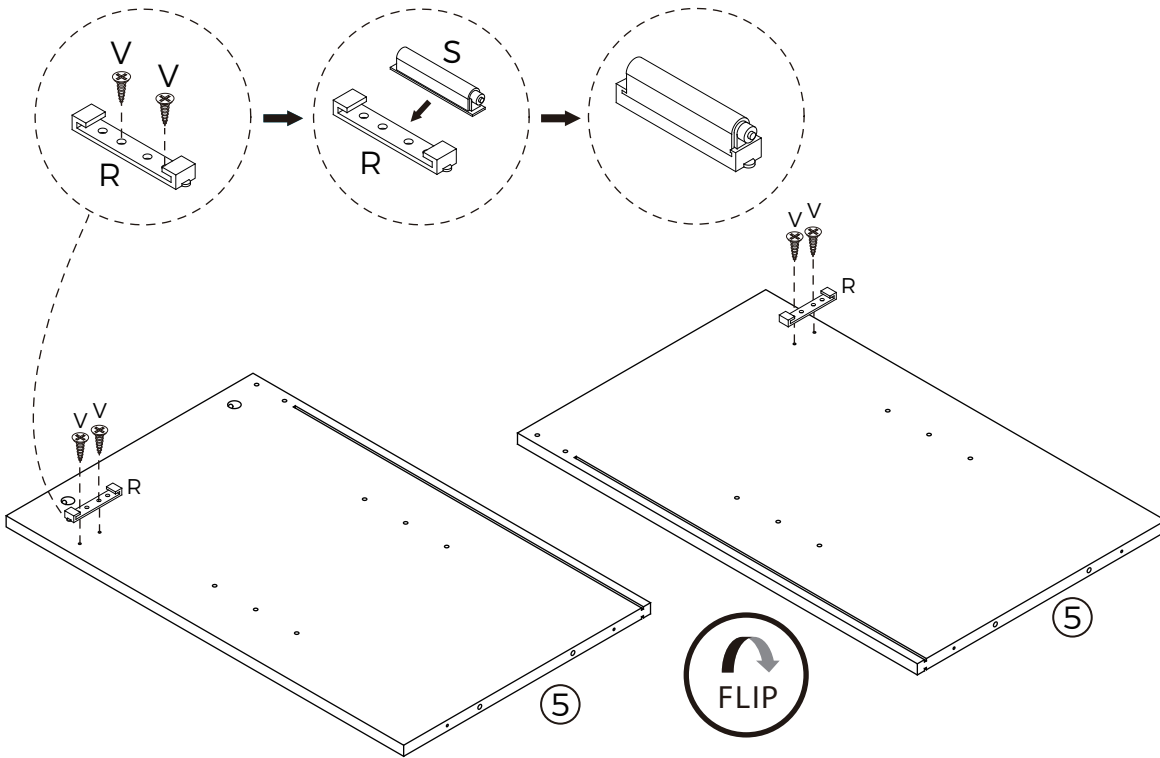
2 Screws



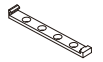
Phillips Head Screwdriver

3.

Attach 2 x Brackets (R) to Panel [5] and secure with 4 x Screws (V). Place 2 x Covers (S) over the Brackets (R).



You will need



2 Brackets



2 Covers



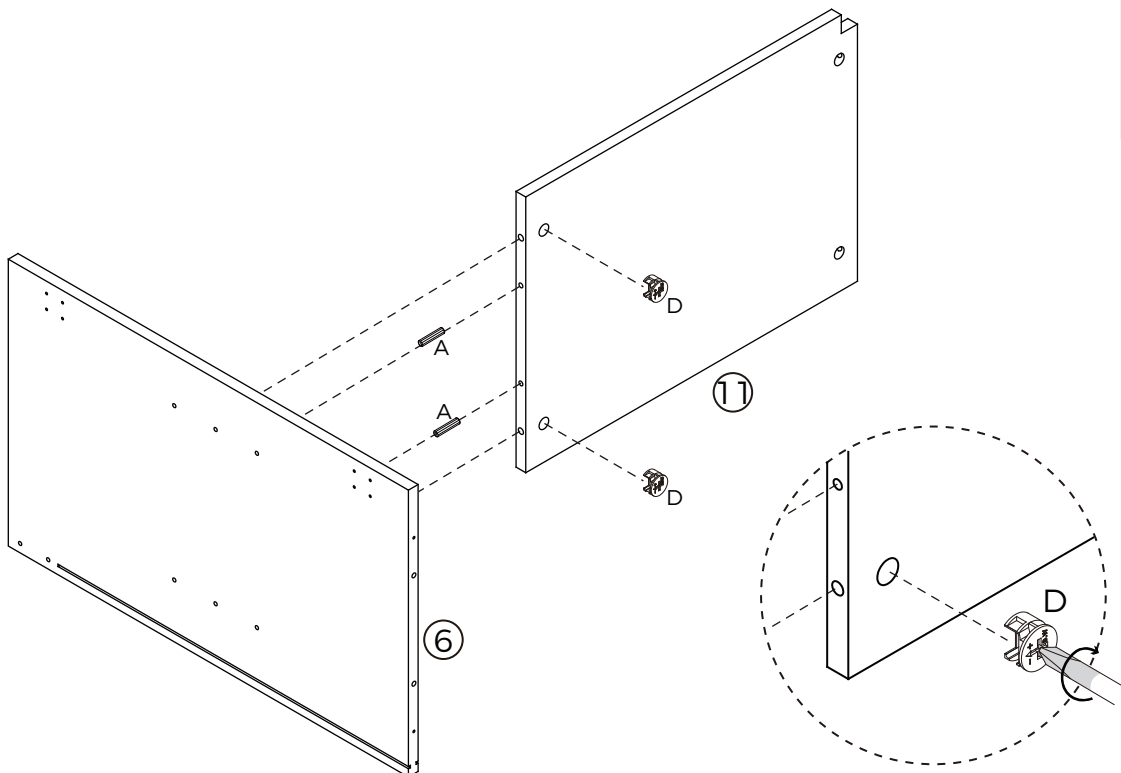
4 Screws



Phillips Head Screwdriver

4.

Insert 2 x Dowels (A) into Panel [6]. Insert 2 x Cam Nuts (D) into Panel [11]. Rotate the nuts so the arrows point towards the incoming bolts. Attach Panel [6] to Panel [11].



You will need



2 Dowels



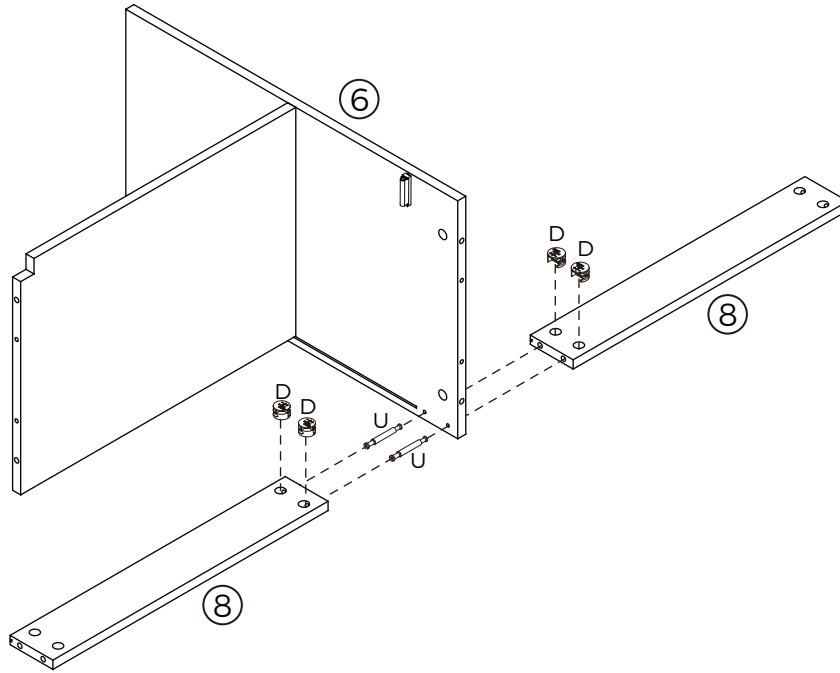
2 Cam Nuts



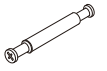
Phillips Head Screwdriver

5.

Insert 2 x Long Bolts (U) into Panel [6]. Insert 4 x Cam Nuts (D) into Panels [8]. Rotate the nuts so the arrows point towards the incoming bolts. Attach Panel [6] to Panels [8].



You will need



2 Long Bolts



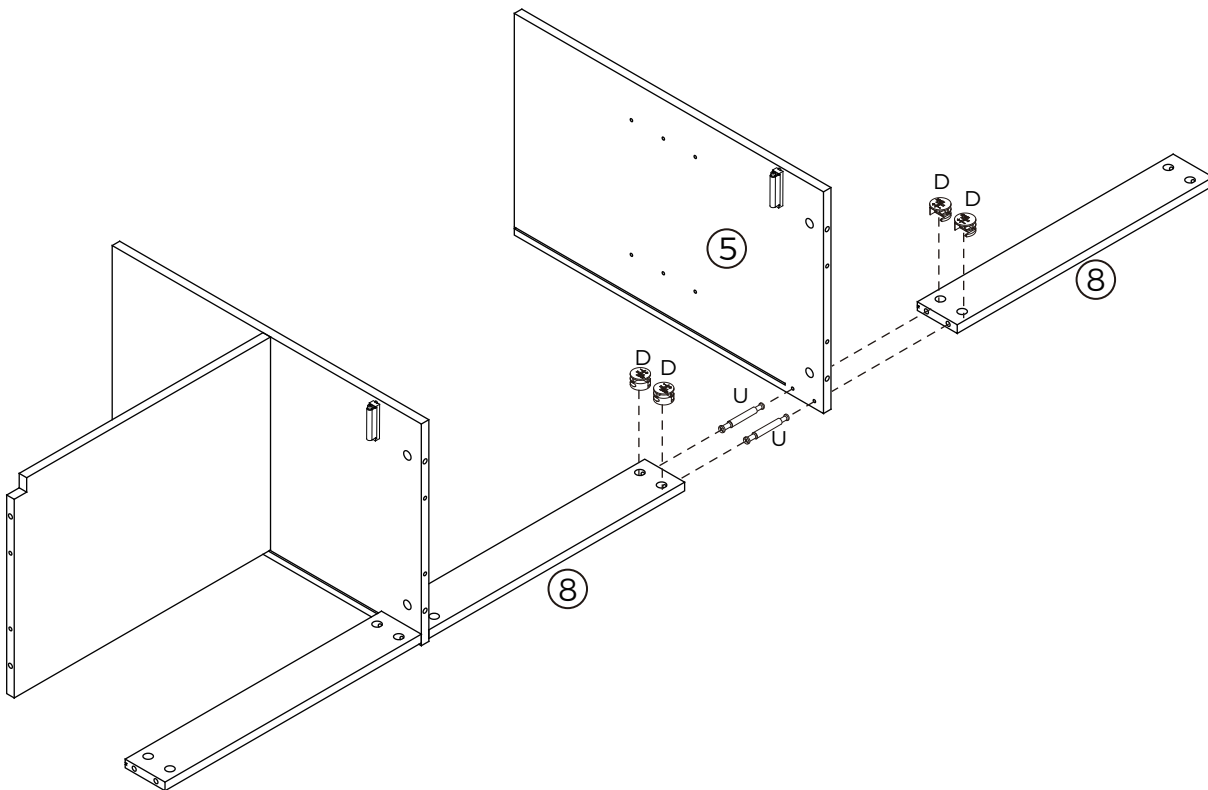
4 Cam Nuts



Phillips Head
Screwdriver

6.

Insert 2 x Long Bolts (U) into Panel [5]. Insert 4 x Cam Nuts (D) into Panels [8]. Rotate the nuts so the arrows point towards the incoming bolts. Attach Panel [5] to Panels [8].



You will need



2 Long Bolts



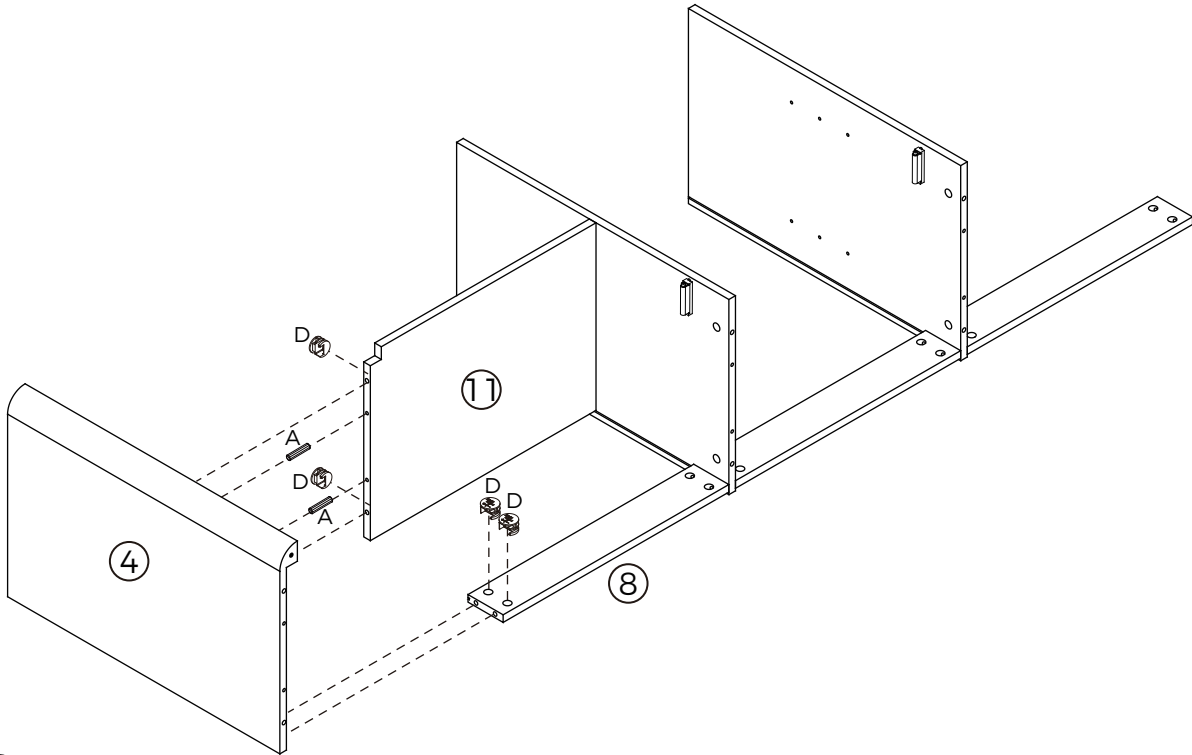
4 Cam Nuts



Phillips Head
Screwdriver

7.

Insert 2 x Dowels (A) to Panel [11]. Insert 4 x Cam Nuts (D) into Panels [8 & 11]. Rotate the cam nuts so the arrows point towards the incoming cam bolts. Attach Right Side Panel [4] to unit .



You will need



2 Dowels



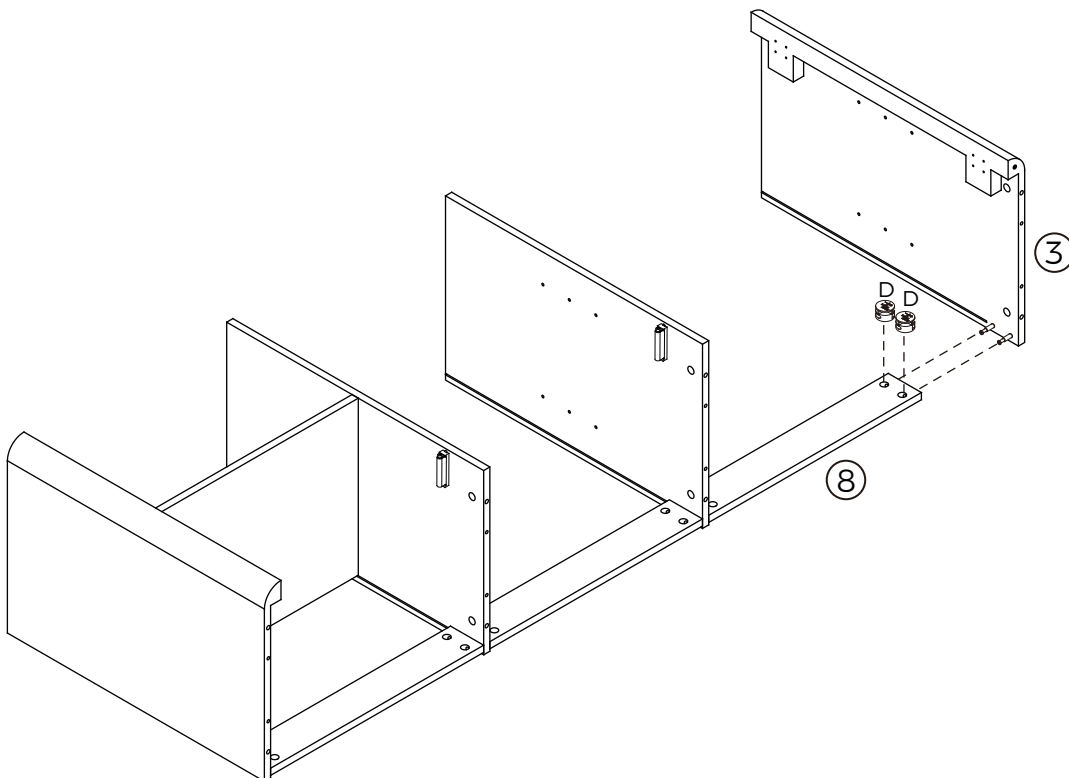
4 Cam Nuts



Phillips Head
Screwdriver

8.

Insert 2 x Cam Nuts (D) into Panel [8]. Rotate the cam nuts so the arrows point towards the incoming cam bolts. Attach Left Side Panel [3] to unit .



You will need



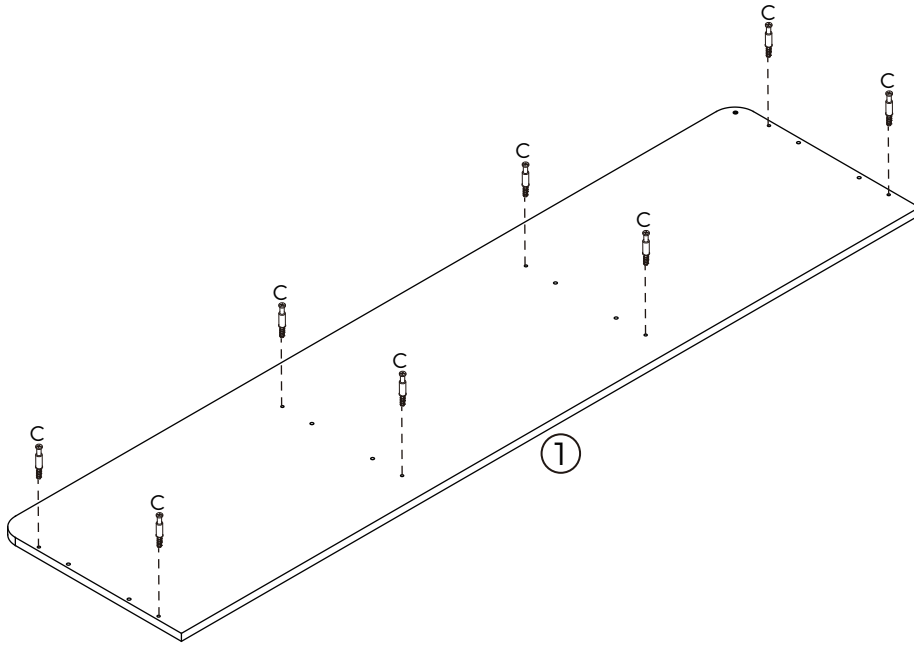
2 Cam Nuts



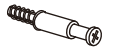
Phillips Head
Screwdriver

9.

Attach 8 x Cam Bolts (C) to Top Panel [1].



You will need



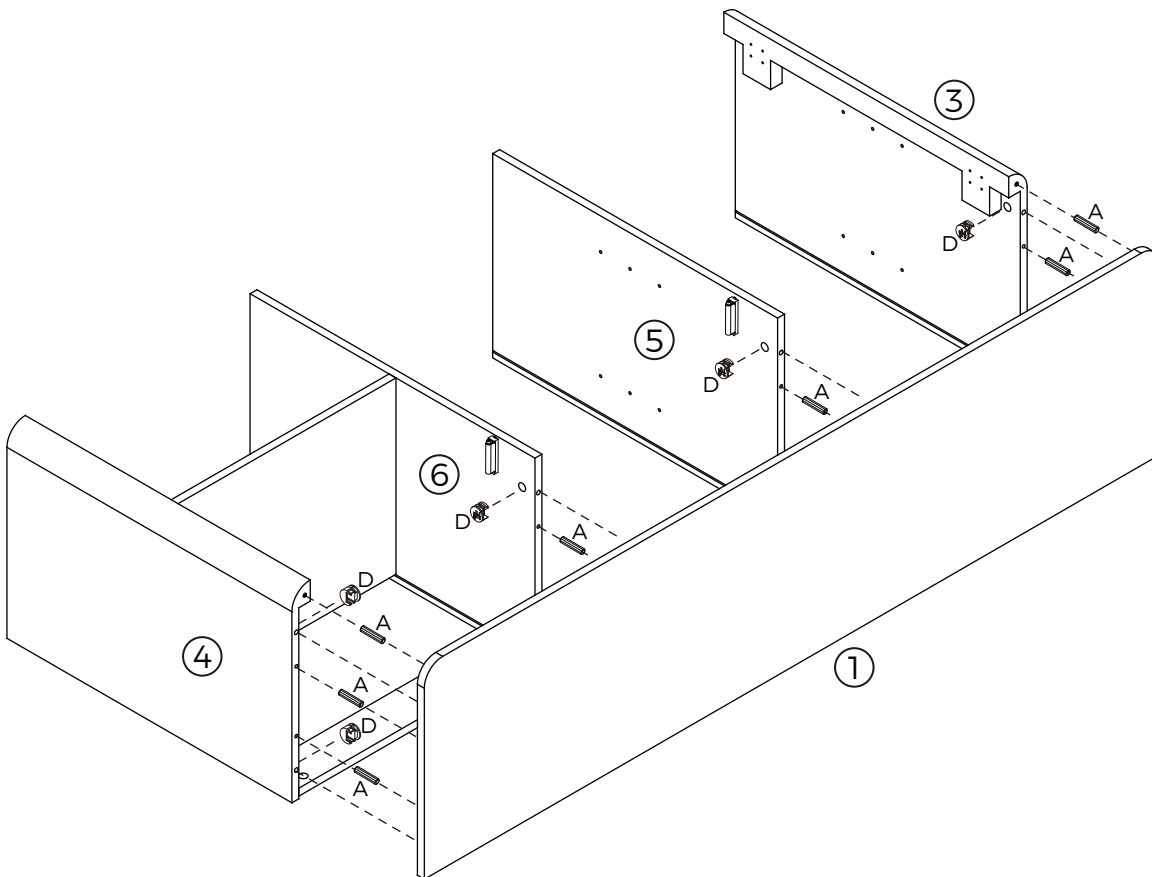
8 Cam Bolts



Phillips Head Screwdriver

10.

Insert 10 x Dowels (A) into Side Panels [3 & 4] and Dividers [5 & 6]. Insert 8 x Cam Nuts (D) into the holes of Side Panels [3 & 4] and Dividers [5 & 6]. Rotate the cam nuts so the arrows point towards the incoming cam bolts. Attach Top Panel [1] to Side Panels [3 & 4] and Dividers [5 & 6].



You will need



10 Dowels



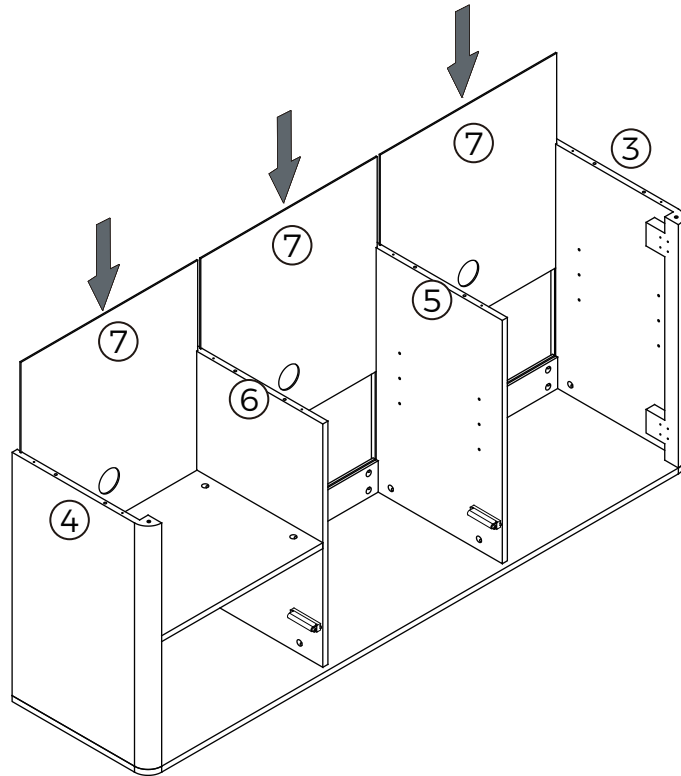
8 Cam Nuts



Phillips Head Screwdriver

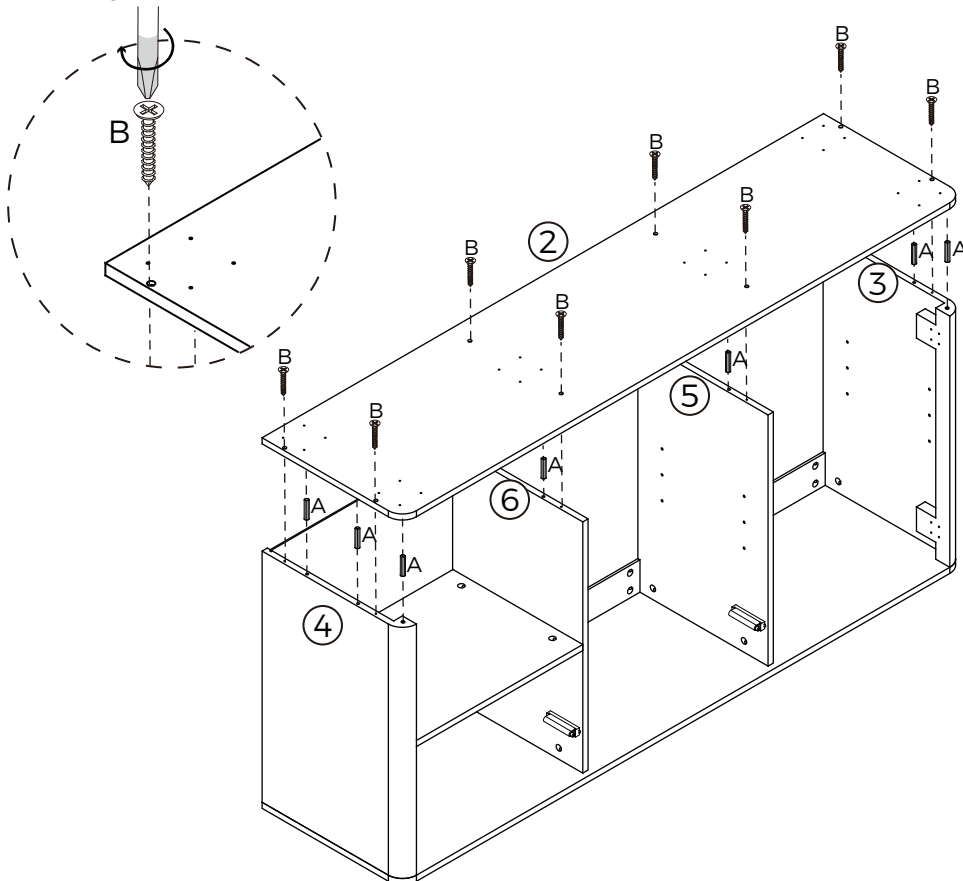
11.

Insert Back Panels [7] into the grooves of Panels [3 & 4 & 5 & 6].



12.

Insert 10 x Dowels (A) into Side Panels [3 & 4] and Dividers [5 & 6]. Attach Bottom Panel [2] to Side Panels [3 & 4] and Dividers [5 & 6] with 8 x Long Screws (B).



You will need



10 Dowels



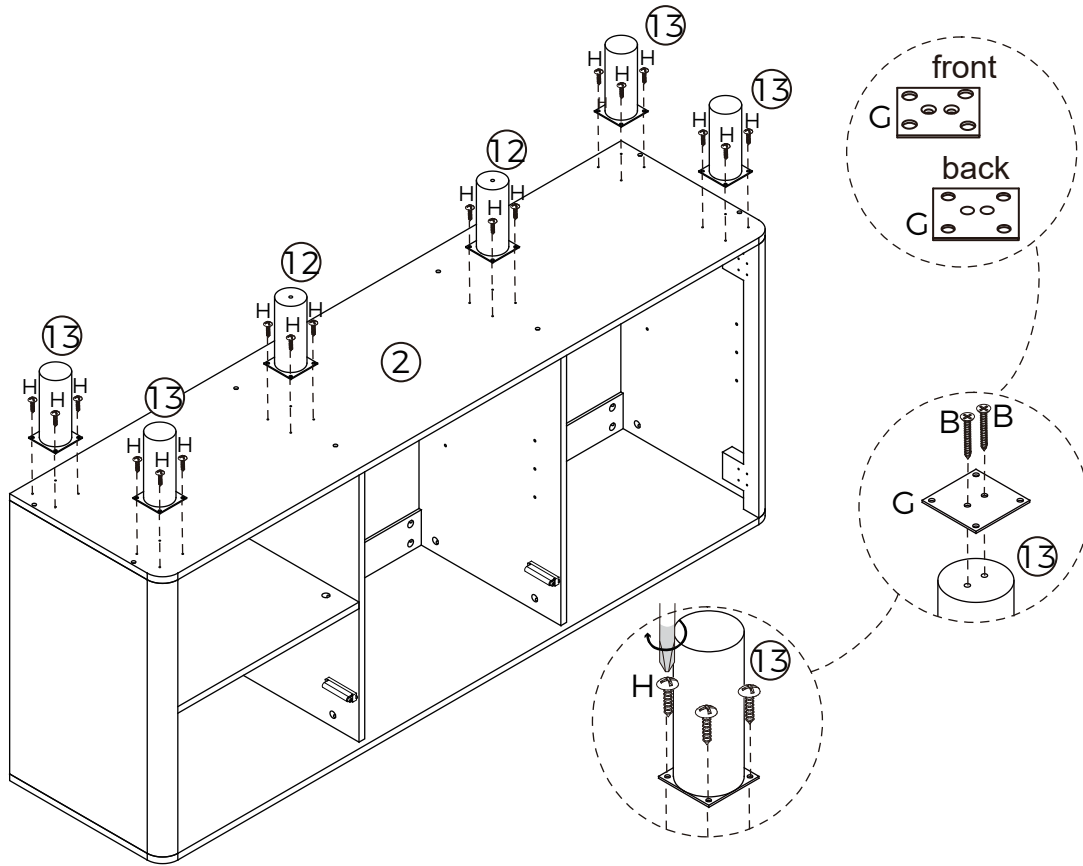
8 Screws



Phillips Head
Screwdriver

13.

Attach 6 x Brackets (G) to Legs [12 & 13] with 12 x Screws (B) .
Attach Legs [12 & 13] to Bottom Panel [2] with 24 x Screws (H) .



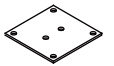
You will need



24 Screws



12 Screws



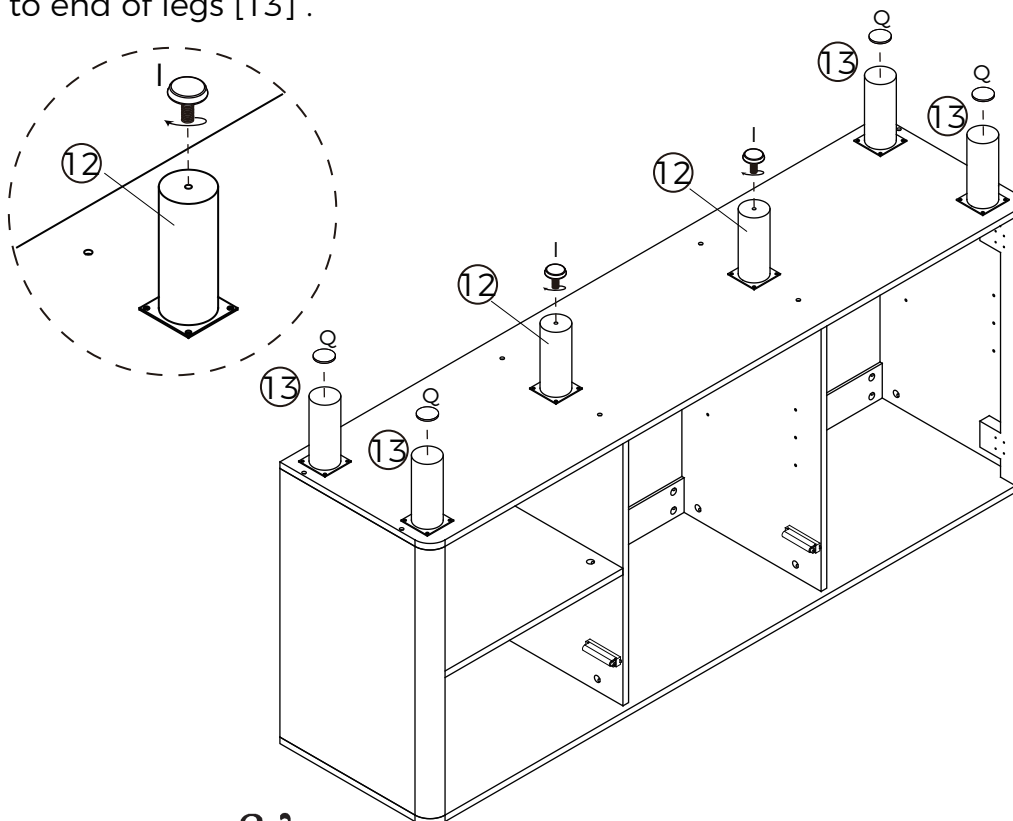
6 Brackets



Phillips Head
Screwdriver

14.

Insert 2 x Adjusters (I) into the Support Legs [12] . Attach 4 x Felt Pads (Q) to end of legs [13] .



You will need



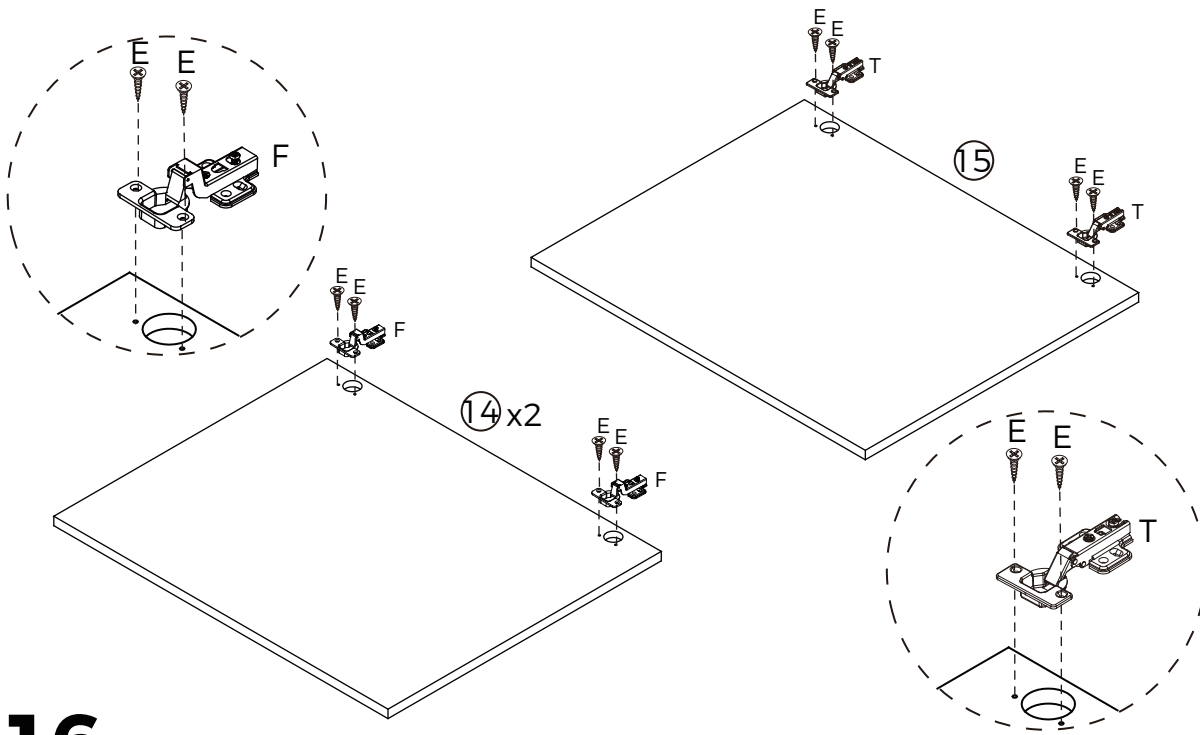
4 Felt Pads



2 Adjusters

15.

Attach 4 x Hinges (F) to Panels [14] using 8 x Screws (E). Attach 2 x Hinges (T) to Panel [15] using 4 x Screws (E).



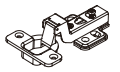
You will need



2 Hinges



12 Screws



4 Hinges

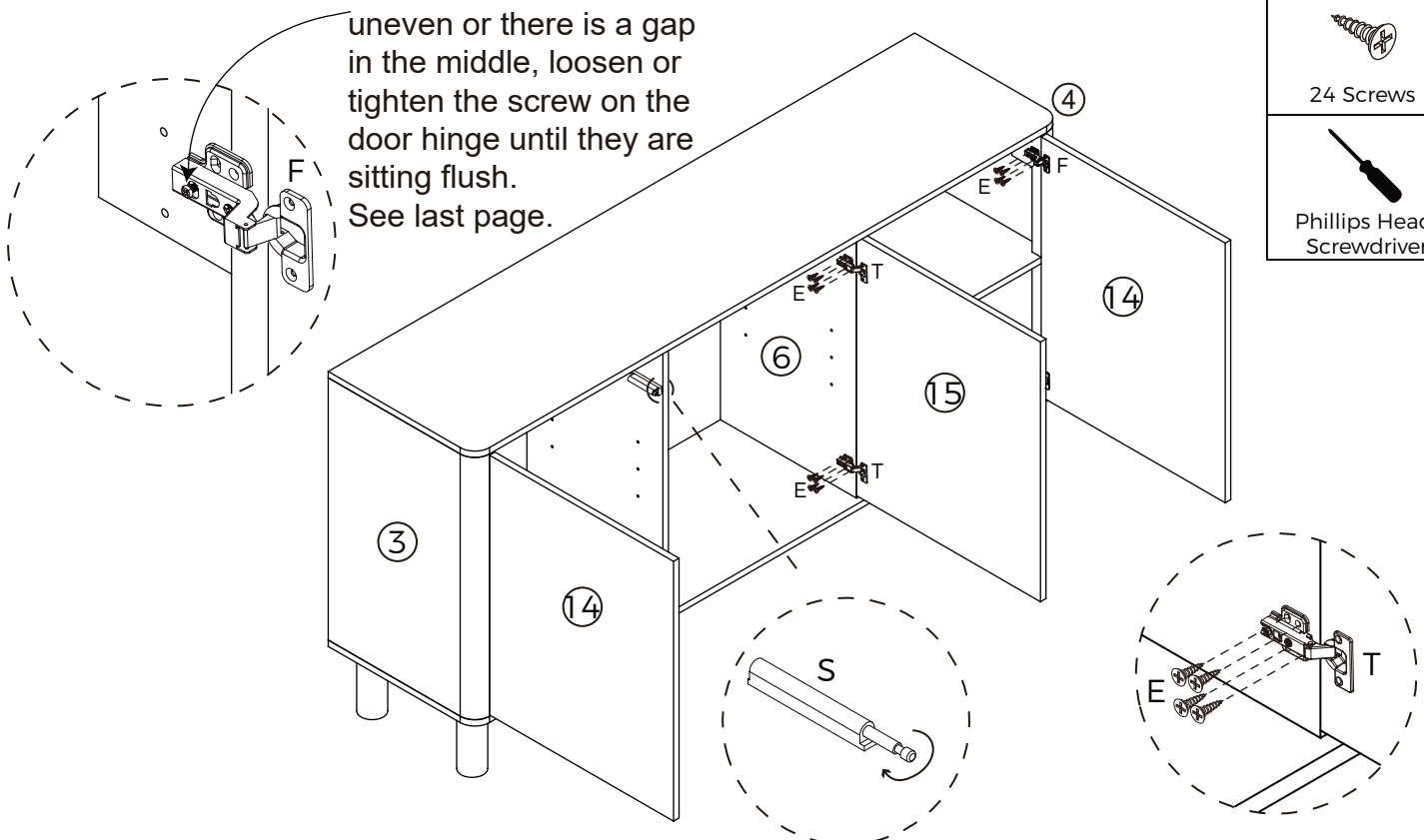


Phillips Head Screwdriver

16.

Attach hinges on Panels [3, 4, 6] to the unit using 24 x Screws (F). Ensure the doors open and close easily. If the cover (S) is not catching on the door, adjust the magnetic end by twisting it outwards.

NOTE: If the doors are uneven or there is a gap in the middle, loosen or tighten the screw on the door hinge until they are sitting flush. See last page.



You will need



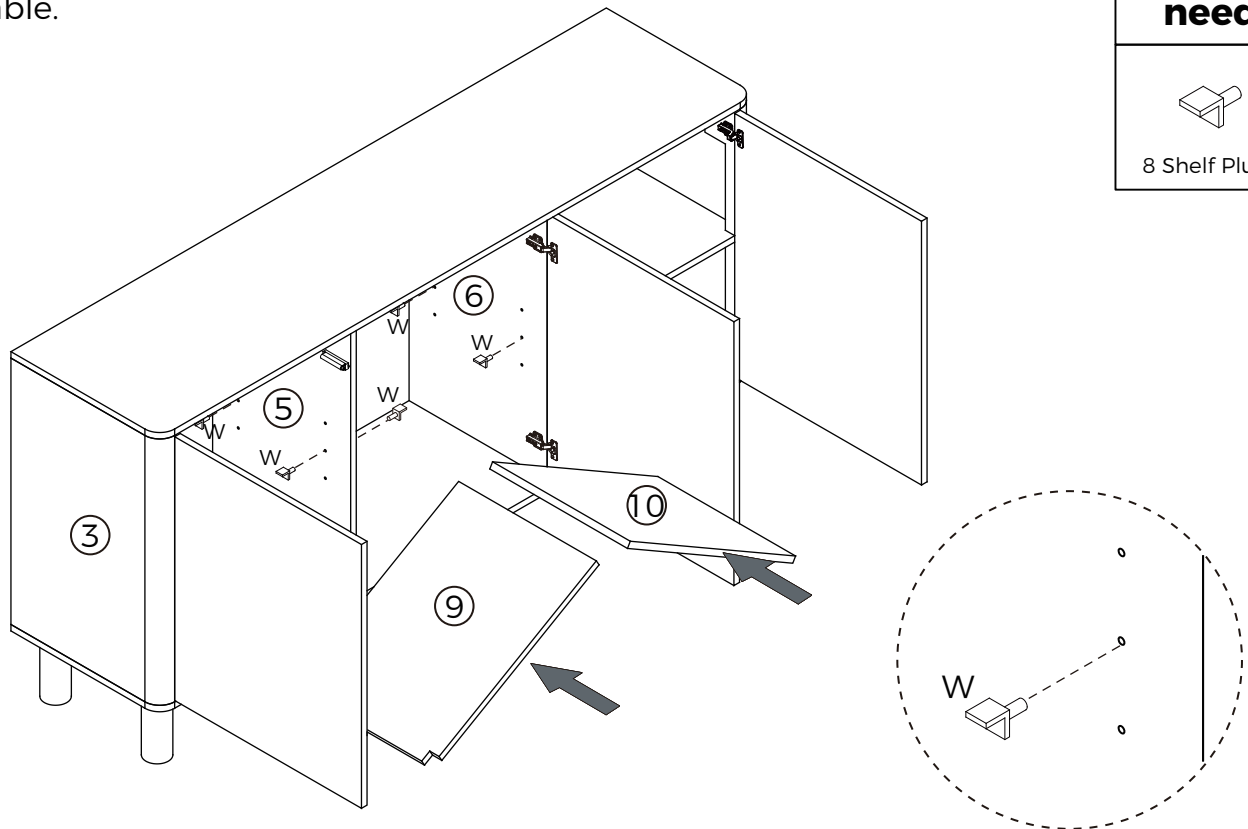
24 Screws



Phillips Head Screwdriver

17.

Insert 8x Shelf Plugs (W) into the unit at the desired height for the shelves and rest the Shelf Panels [9, 10] onto them. Ensure the shelves are balanced and stable.



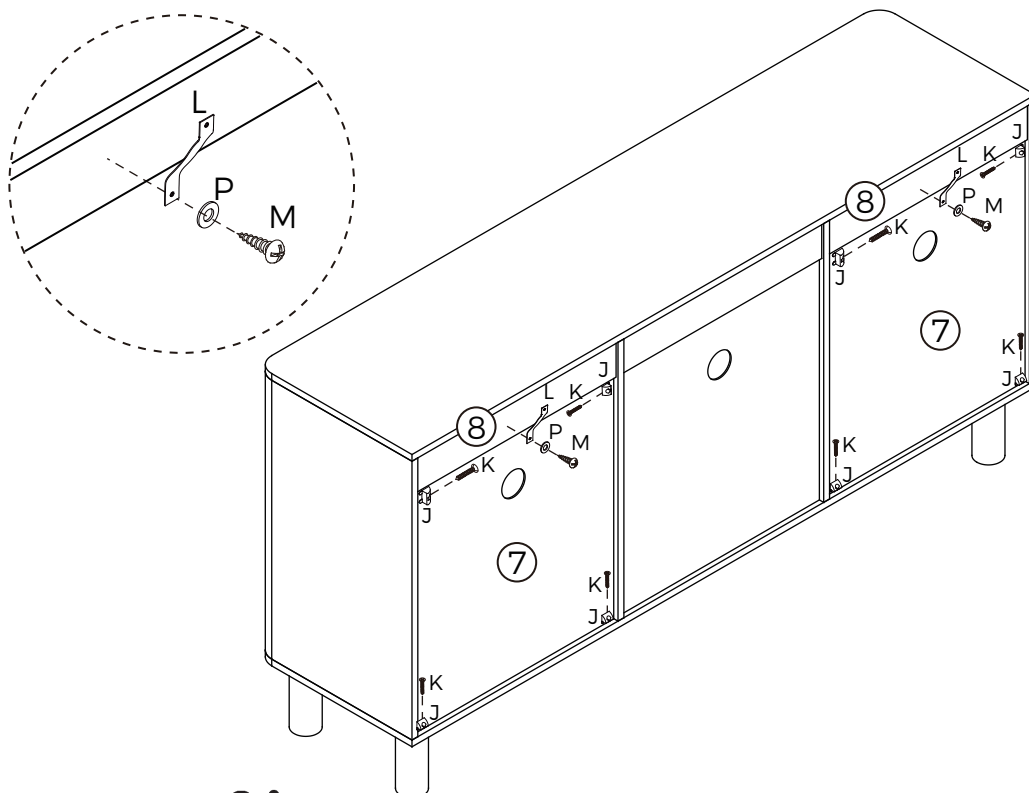
You will need



8 Shelf Plugs

18.

Attach 8 x Wedges (J) to the back of unit and secure using 8 x Screws (K). Attach 2 x Safety Straps (L) to the Rails (8) using 2 x Washers (P) and 2 x Screws (M).



You will need



2 Safety Straps



2 Screws



2 Washers



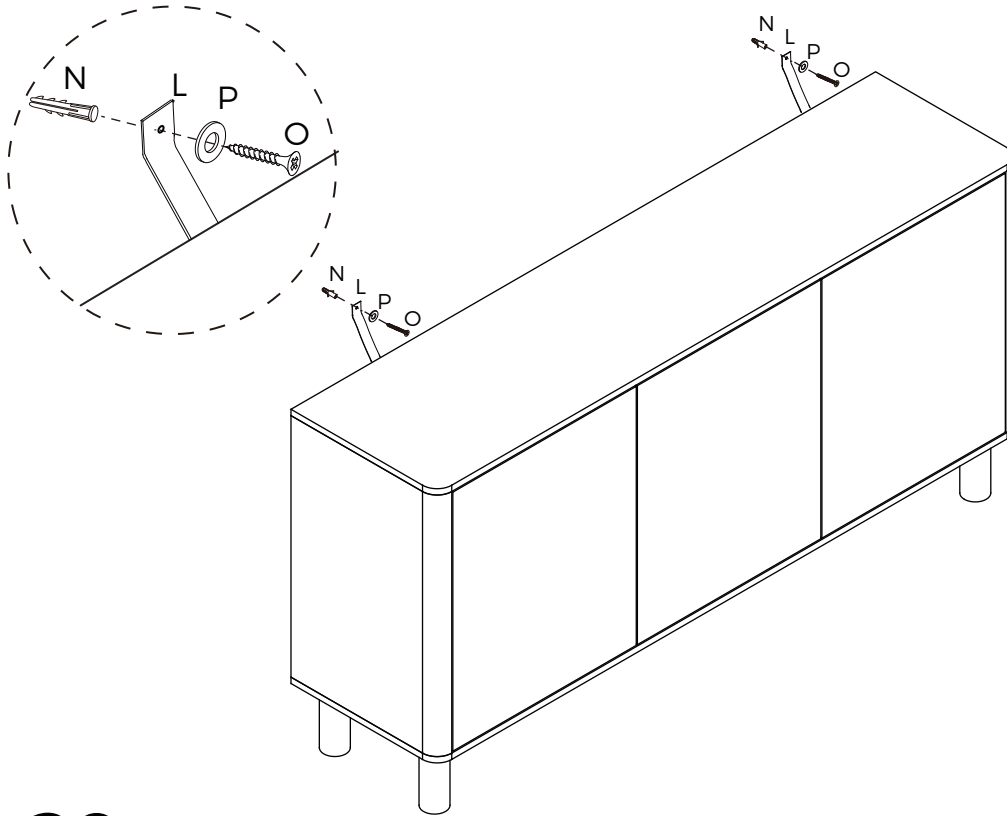
8 Wedges



8 Wedges Screws

19.

Move the unit to the final position. Fasten the safety strap to your wall using appropriate fixings for your wall type. If you are unsure, please seek professional advice on how to attach this safety strap to your specific wall.



You will need



2 Wall Plugs



2 Wall Screws



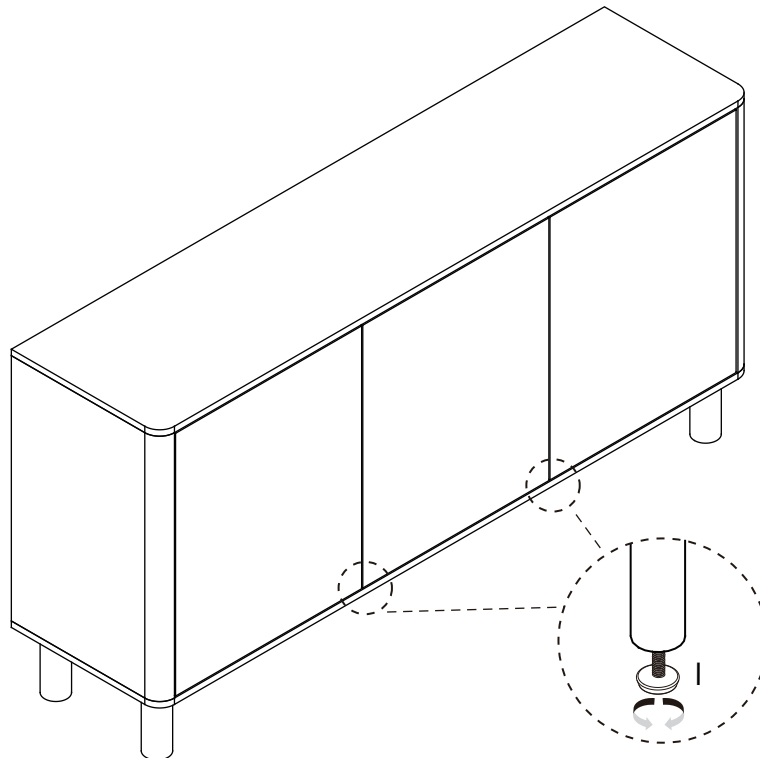
2 Washers



Phillips Head Screwdriver

20.

Twist the adjuster on centre leg to make sure the top panel is flush.



HOW TO ADJUST THE HINGES TO ALIGN THE DOORS IF NEEDED.

