

Raphael L Shaped Storage Desk

Read first, enjoy forever.

Assembly tips

- Assemble your product on a level surface and lay something soft underneath to protect potential floor damage.
- Don't over tighten screws. During assembly we recommend tightening to approximately 70% tightness. Only tighten hardware 100% when fully assembled.
- Keep children away from assembly area as bags and small parts can pose a choking hazard.
- Make sure you have enough space to layout parts before starting. We recommend assembling your item in its final location.
- Do not stand on or put weight on the parts as it may warp or damage product.
- We do not recommend the use of drills or power tools (unless specified) as it may damage the product or hardware. Use hand held screwdrivers only.
- It is best that two people assemble the product as some products may be too heavy for one person. Check this booklet for guidance.

Safety, care and maintenance

- To reduce the risk of injury, always secure storage furniture to walls and/or floors by using tip-over restraints.
- Never let children climb or hang on drawers, doors or shelves.
- To protect your product and your home, we recommend using coasters, placemats, rugs and other protective items.
- Screws may loosen over time. We recommend setting a reminder to tighten up every six months.
- Remove any liquid spills immediately using a clean cloth with mild detergent. Do not use bleach or abrasive cleaners. Always test any cleaning agent in an inconspicuous spot first to know if it is suitable.

Recycling

We hope that you love your product forever, but we know situations change. In the event that you wish to dispose of your product please consider some creative ways to give it a new home:

- If it's still in great shape, sell it on your favourite online marketplace!
- Give it a second life by affording it a fresh coat of paint.
- If you must dispose of it, why not donate it to your local charity or shelter for someone else to enjoy.

Please dispose of this product and packaging responsibly and recycle where possible. Scan the QR code to read more about Temple and Webster's commitment to a more sustainable future



Important safety instructions

DANGER!

Children have died from furniture tip over.

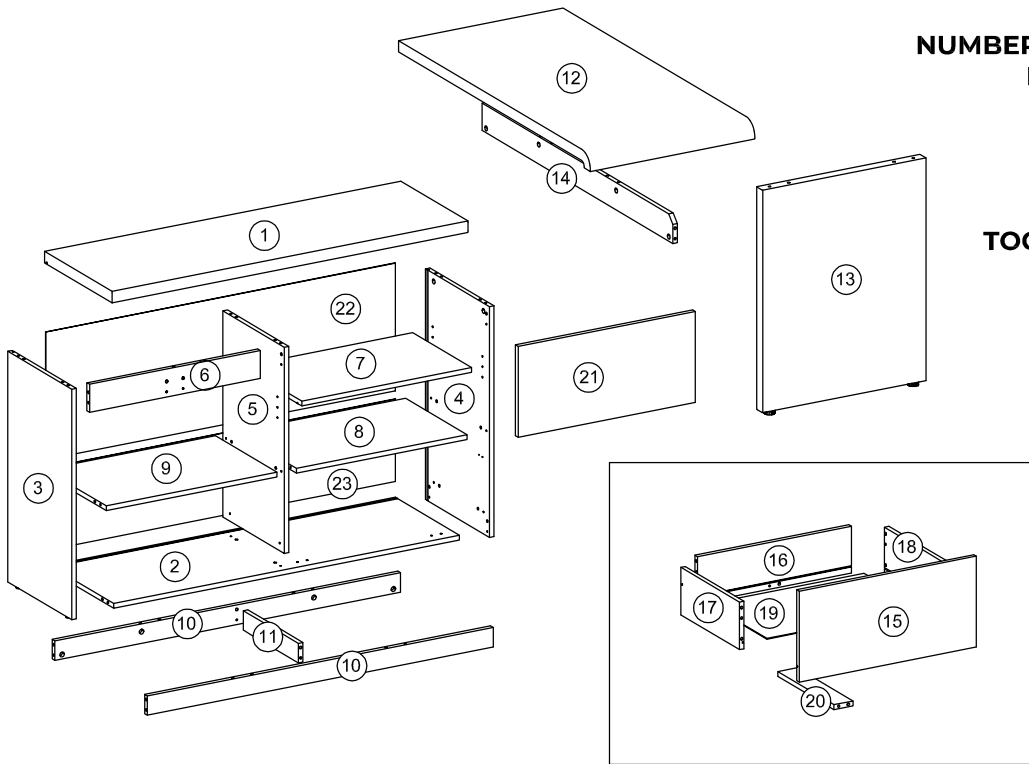
Toppling Hazard Warning

- ALWAYS secure this furniture with an anchor device
- For safety reasons, we recommend you follow the provided instructions
- When installed properly, the provided hardware may prevent the unit from tipping over unexpectedly.
- Never let children climb or hang on drawers, doors or shelves.
- NEVER open more than one drawer at a time
- Place heavy items down low
- NEVER place a television on this furniture
- For advice on suitable fastening devices, contact your local specialized dealer



Parts list

ASSEMBLY INSTRUCTIONS Raphael L Shaped Storage Desk SBGIDKOK



NUMBER OF PEOPLE REQUIRED FOR ASSEMBLY:

2

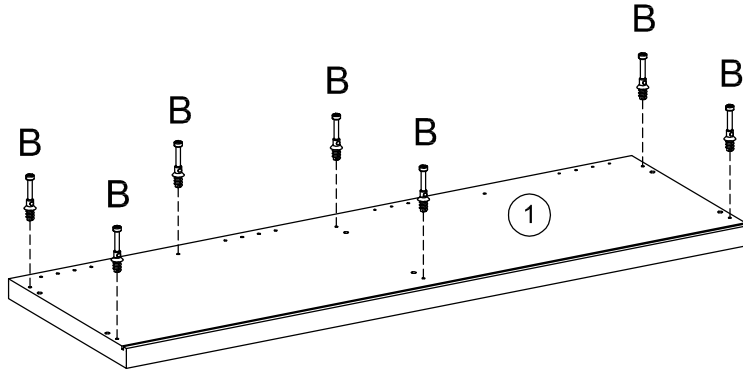
TOOLS REQUIRED FOR ASSEMBLY



<p>A</p> <p>40 PCS</p>	<p>B</p> <p>40 PCS</p>	<p>C</p> <p>31 PCS</p>	<p>D</p> <p>48 PCS</p>	<p>E</p> <p>9 PCS</p>	<p>F</p> <p>5 PCS</p>	<p>G</p> <p>27 PCS</p>	<p>H</p> <p>20 PCS</p>
<p>I</p> <p>4 PCS</p>	<p>J</p> <p>4 PCS</p>	<p>K</p> <p>2 PCS</p>	<p>L</p> <p>8 PCS</p>	<p>M</p> <p>2 PCS</p>	<p>N</p> <p>1 PC</p>	<p>O</p> <p>1 PC</p>	<p>P</p> <p>3 PCS</p>
<p>Q</p> <p>2 PCS</p>	<p>R</p> <p>5 PCS</p>	<p>S</p> <p>2 PCS</p>	<p>T</p> <p>1 PC</p>	<p>U</p> <p>24 PCS</p>	<p>V</p> <p>1 PC</p>		

1.

Attach 7 x Cam Bolts (B) into Top Panel (1).

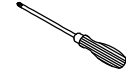


You will need:

B



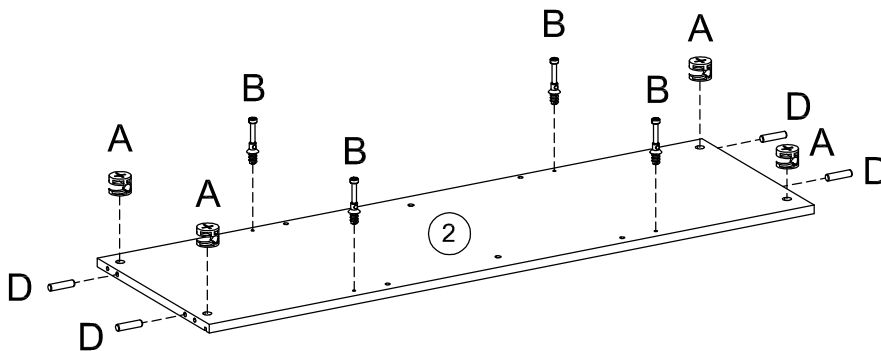
7 Cam Bolts



1 Phillips head screwdriver

2.

Attach 4x Cam Bolts (B) into Bottom Panel (2).
Insert 4x Cam Lock (A) and 4x Plastic Dowel (D) into Bottom Panel (2).



You will need:

A



4 Cam Locks

B

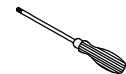


4 Cam Bolts

D



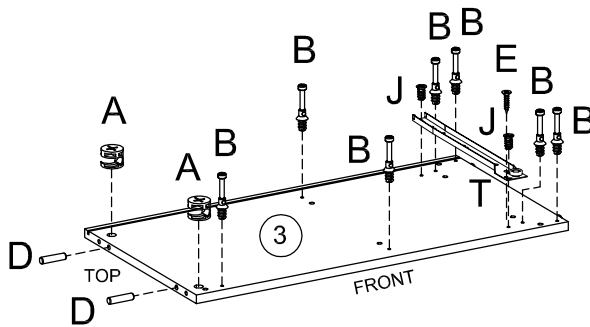
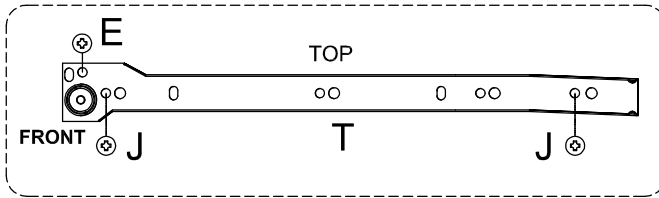
4 Plastic Dowels








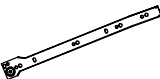
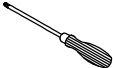
1 Phillips head screwdriver

3.

Attach 7 x Cam Bolts (B) into Left Panel (3).
 Insert 2x Cam Lock (A) and 2x Plastic Dowel (D) into Left Panel (3).
 Attach 1x Drawer Rail (T) to Left Panel (3) using 2x screws (J) and
 1x screw (E) as shown.

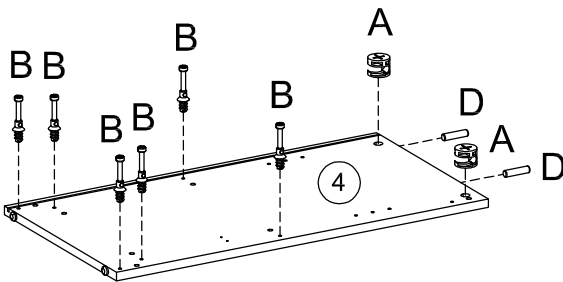


You will need:




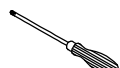
<p>A</p>  <p>2 Cam Locks</p>	<p>E</p>  <p>1 Screws</p>
<p>B</p>  <p>7 Cam Bolts</p>	<p>J</p>  <p>2 Screws</p>
<p>D</p>  <p>2 Plastic Dowels</p>	<p>T</p>  <p>1 Drawer Rail</p>
 <p>1 Phillips head screwdriver</p>	

4.

Attach 6x Cam Bolts (B) into Right Panel (4).
 Insert 2x Cam Lock (A) and 2x Plastic Dowel (D) into Right Panel (4).

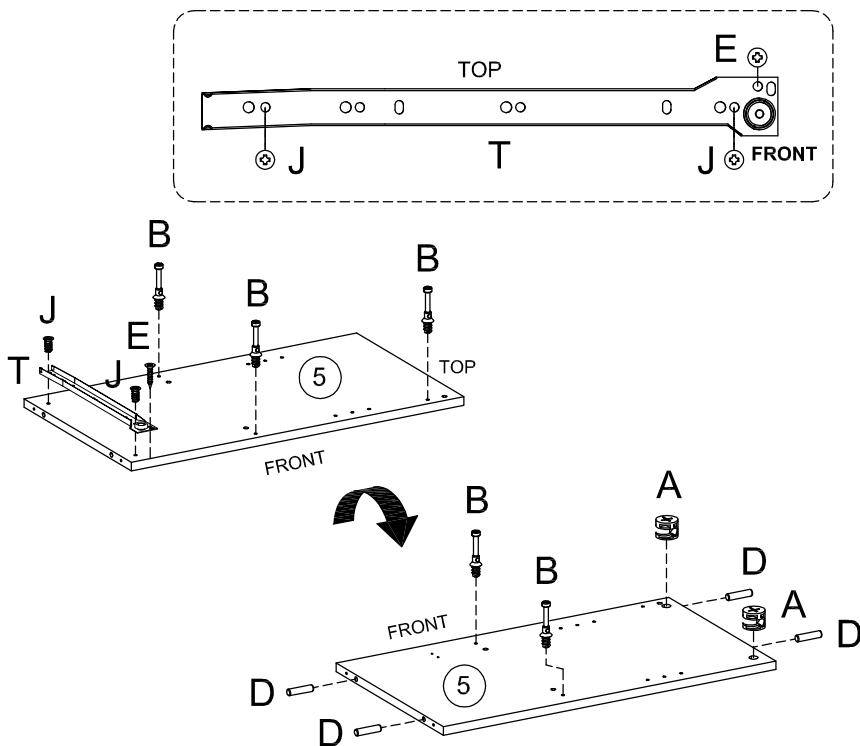







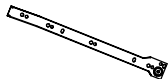
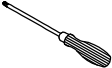
You will need:

<p>A</p>  <p>2 Cam Locks</p>
<p>B</p>  <p>6 Cam Bolts</p>
<p>D</p>  <p>2 Plastic Dowels</p>
 <p>1 Phillips head screwdriver</p>

5.

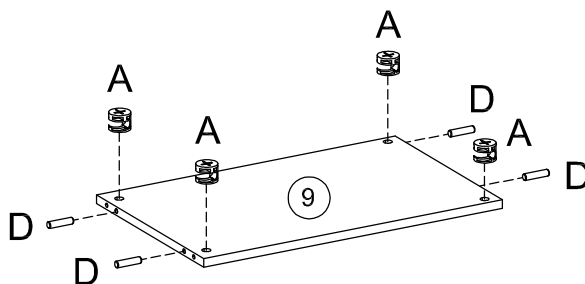
Attach 3x Cam Bolts (B) into Divider Panel (5).
 Attach 1x Drawer Rail (T) to Divider Panel (5) using 2x screws (J) and 1x screw (E).
 Flip The Panel 180° as shown, then Attach another 2x Cam Bolts (B) into Divider Panel (5).
 Insert 2x Cam Lock (A) and 4x Plastic Dowel (D) into Divider Panel (5).





You will need:	
<p>A</p>  <p>2 Cam Locks</p>	<p>E</p>  <p>1 Screw</p>
<p>B</p>  <p>5 Cam Bolts</p>	<p>J</p>  <p>2 Screws</p>
<p>D</p>  <p>4 Plastic Dowels</p>	<p>T</p>  <p>1 Drawer Rail</p>
 <p>1 Phillips head screwdriver</p>	

6.

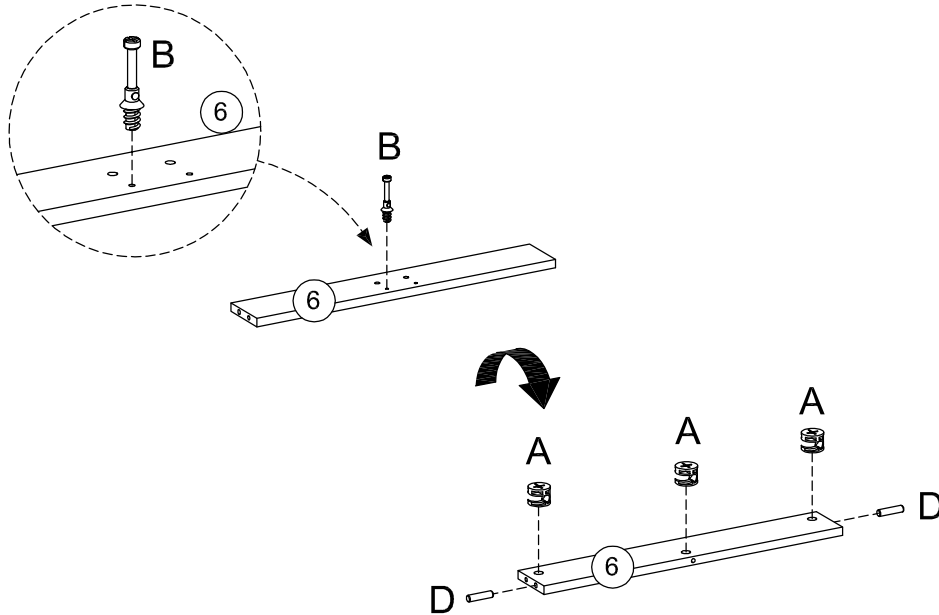
Insert 4x Cam Lock (A) and 4x Plastic Dowel (D) into Middle Left Panel (9).




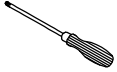


You will need:	
<p>A</p>  <p>4 Cam Locks</p>	
<p>D</p>  <p>4 Plastic Dowels</p>	

7.

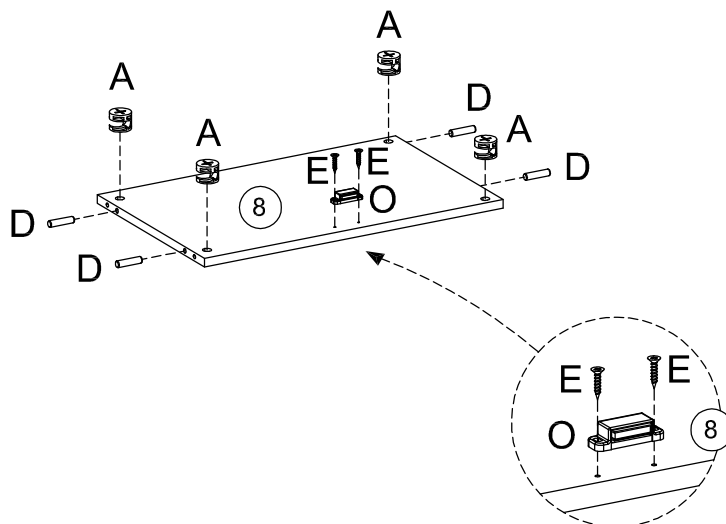
Attach 1x Cam Bolts (B) into Top Support (6).
 Flip the panel 180°, then Insert 3x Cam Lock (A) and 2x Plastic Dowel (D) as shown.





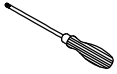


You will need:	
A	
3 Cam Locks	
B	
1 Cam Bolt	
D	
2 Plastic Dowels	
	
1 Phillips head screwdriver	

8.

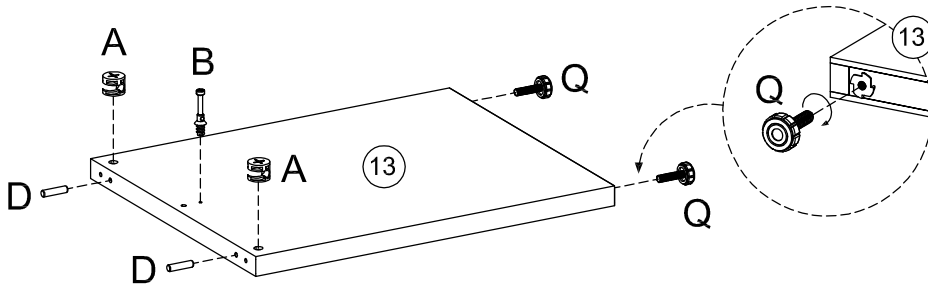
Install 1x Magnet (O) on the Middle Right Panel (8) using 2x screws (E).
 Insert 4x Cam Lock (A) and 4x Plastic Dowel (D) into Middle Right Panel (8).








You will need:	
A	
4 Cam Locks	
D	
4 Plastic Dowels	
E	
2 Screws	
O	
1 Magnet	
	
1 Phillips head screwdriver	

9.

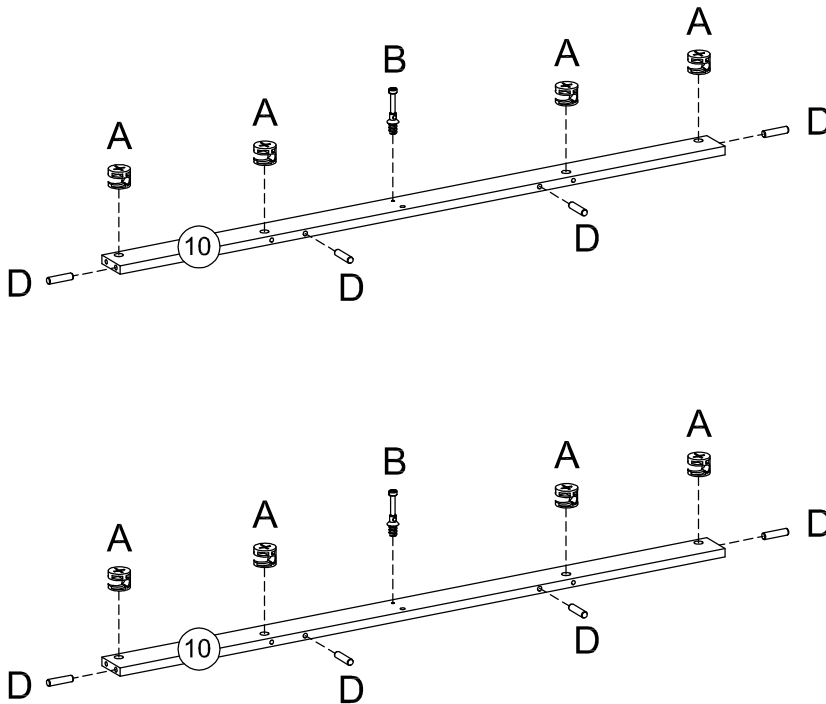
Attach 1x Cam Bolts (B) into Front Panel (13).
 Insert 2x Cam Lock (A) and 2x Plastic Dowel (D) into Front Panel (13).
 Install 2x Leg Adjuster (Q) into Front Panel (13) as shown.



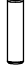



You will need:	
A  2 Cam Locks	D  2 Plastic Dowels
B  1 Cam Bolt	Q  2 Leg Adjusters
 1 Phillips head screwdriver	

10.

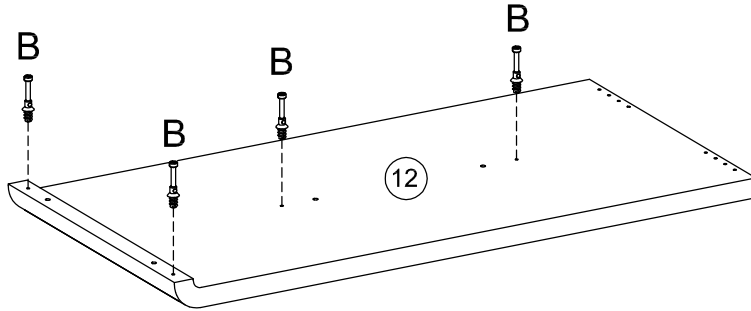
Attach 2x Cam Bolts (B) into 2x Large Bottom Support (10).
 Insert 8x Cam Lock (A) and 8x Plastic Dowel (D) into 2x Large Bottom Support (10).



You will need:	
A  8 Cam Locks	B  2 Cam Bolts
D  8 Plastic Dowels	 1 Phillips head screwdriver

11.

Attach 4x Cam Bolts (B) into Main Panel (12).

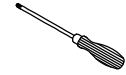


You will need:

B



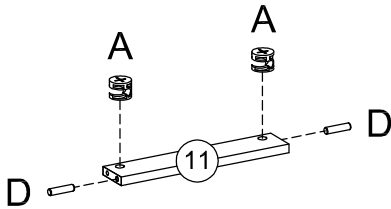
4 Cam Bolts



1 Phillips head screwdriver

12.

Insert 2x Cam Lock (A) and 2x Plastic Dowel (D) into 1x Small Bottom Support (11).



You will need:

A



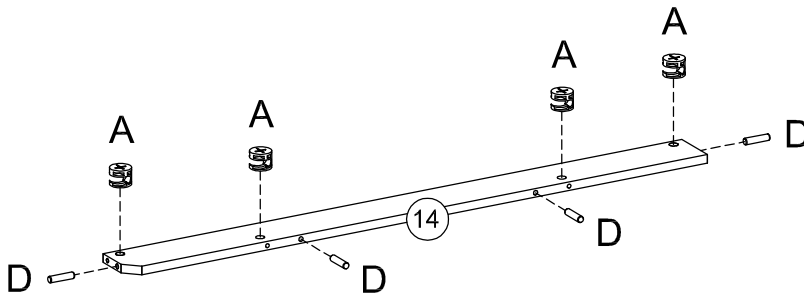
6 Cam Locks

D



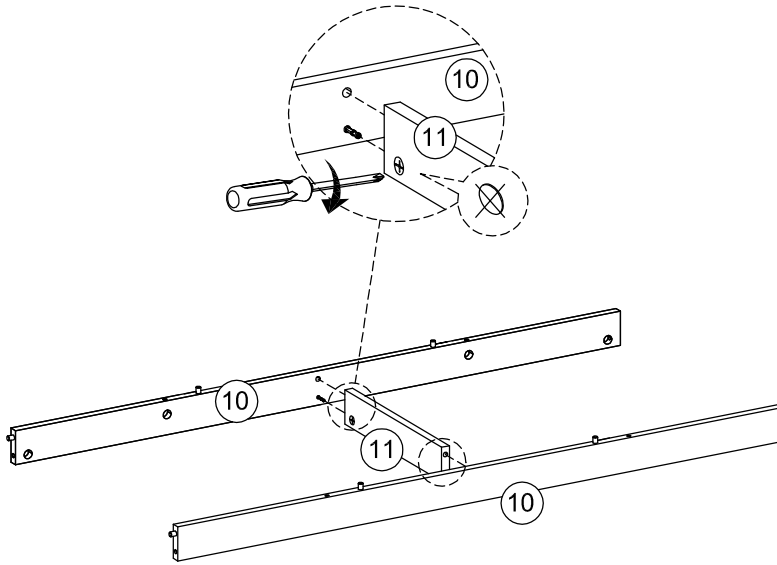
6 Plastic Dowels

Insert 4x Cam Lock (A) and 4x Plastic Dowel (D) into 1x Main Support (14).

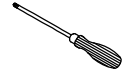


13.

Attach 2x Large Bottom Support (10) to 1x Small Bottom Support (11). Lock the Cam Lock (A) clockwise using screwdriver.



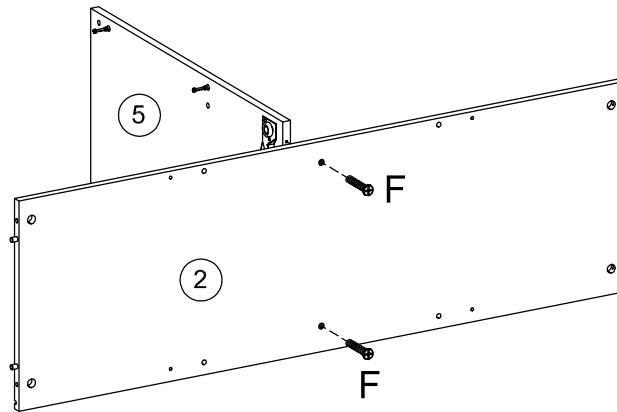
You will need:



1 Phillips head screwdriver

14.

Attach Divider Panel (5) to Bottom Panel (2) using 2x screws (F) as shown.

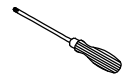


You will need:

F



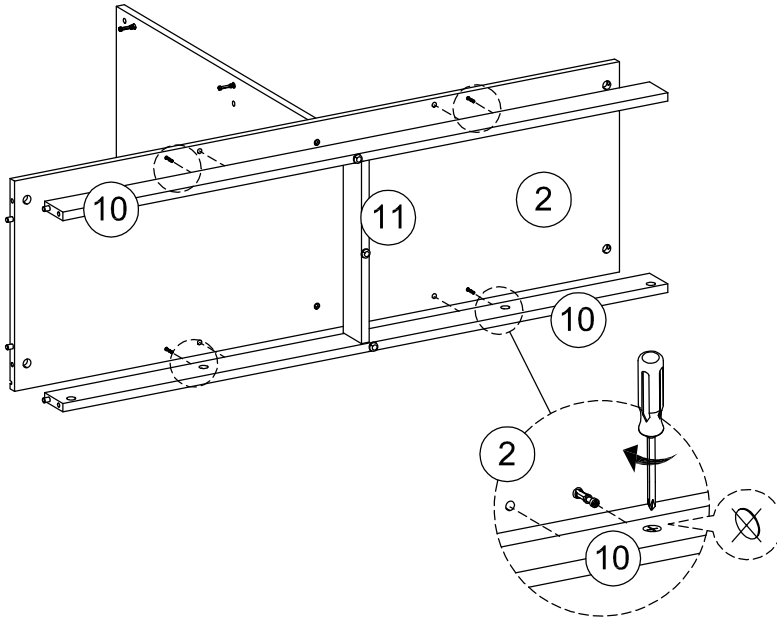
2 Screws



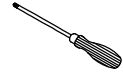
1 Phillips head screwdriver

15.

Attach assembly bottom support to Bottom Panel (2) as shown. Lock the Cam Lock (A) clockwise using screwdriver.



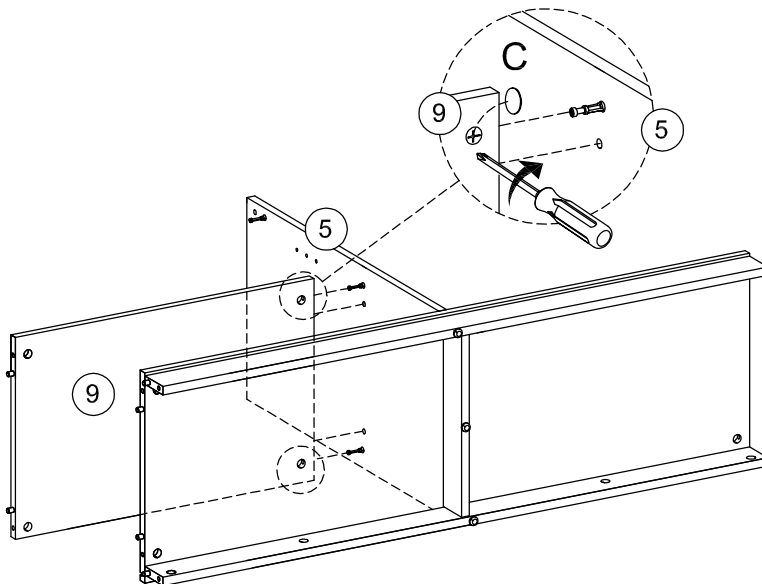
You will need:



1 Phillips head screwdriver

16.

Attach Middle Left Panel (9) to Divider Panel (5) as shown. Lock the Cam Lock (A) clockwise using screwdriver, then paste 2x Cam Sticker (C).

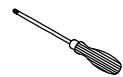


You will need:

C



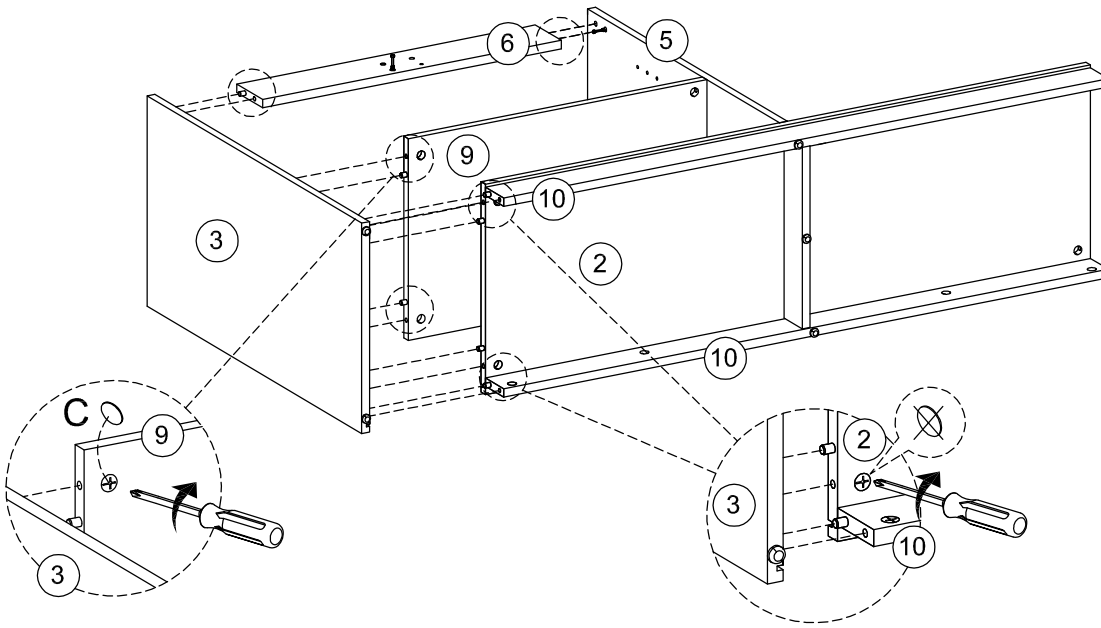
2 Cam Stickers



1 Phillips head screwdriver

17.

Attach Top Support (6) to Divider Panel (5) and Left Panel (3) to case assembly as shown.
Lock the Cam Lock (A) clockwise using screwdriver, then paste 4x Cam Sticker (C).

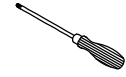


You will need:

C



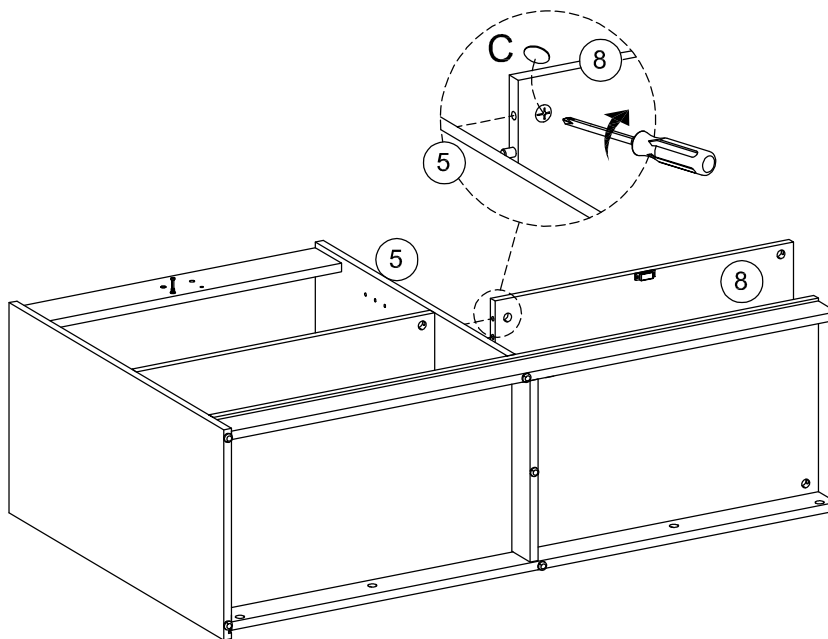
4 Cam Stickers



1 Phillips head screwdriver

18.

Attach Middle Right Panel (8) to Divider Panel (5) as shown.
Lock the Cam Lock (A) clockwise using screwdriver, then paste 2x Cam Sticker (C).

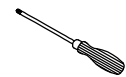


You will need:

C



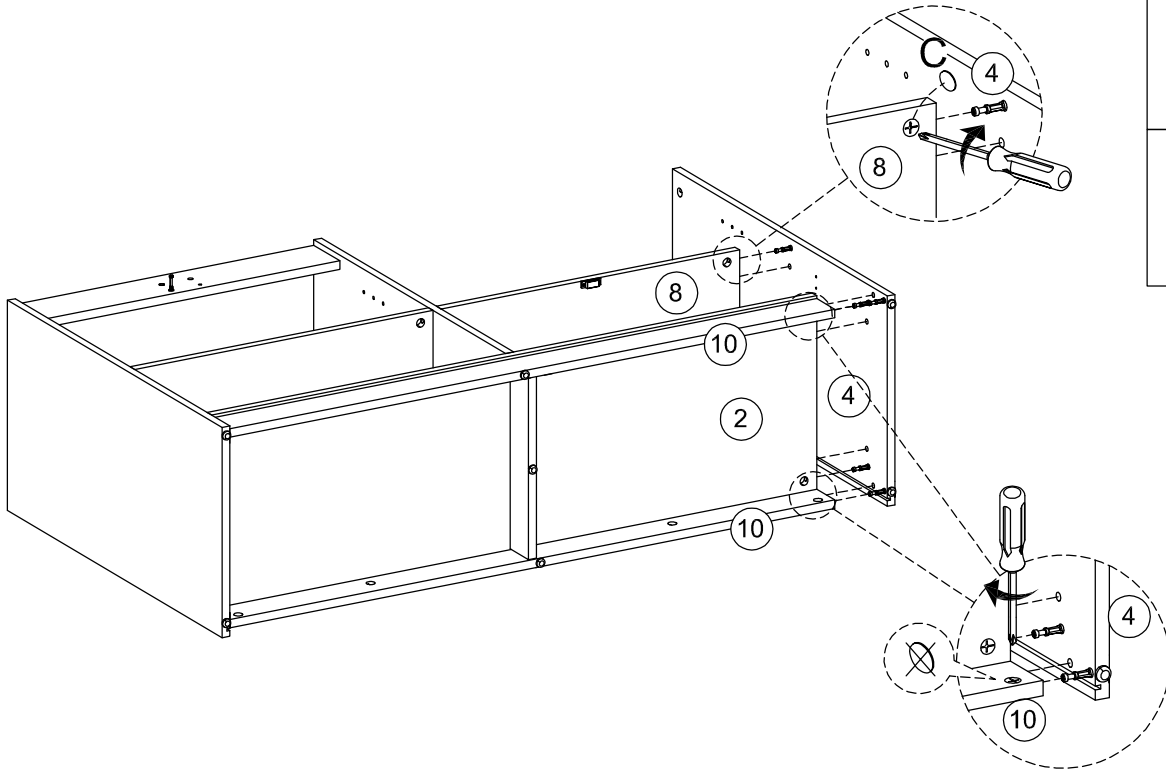
2 Cam Stickers


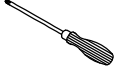


1 Phillips head screwdriver

19.

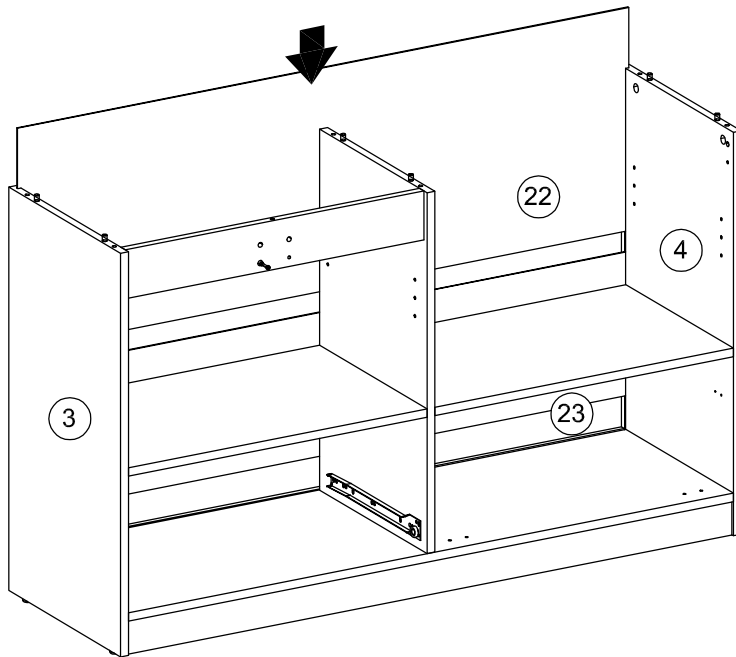
Attach Right Panel (4) to case assembly as shown. Lock the Cam Lock (A) clockwise using screwdriver, then paste 2x Cam Sticker (C).



You will need:
C  2 Cam Stickers
 1 Phillips head screwdriver

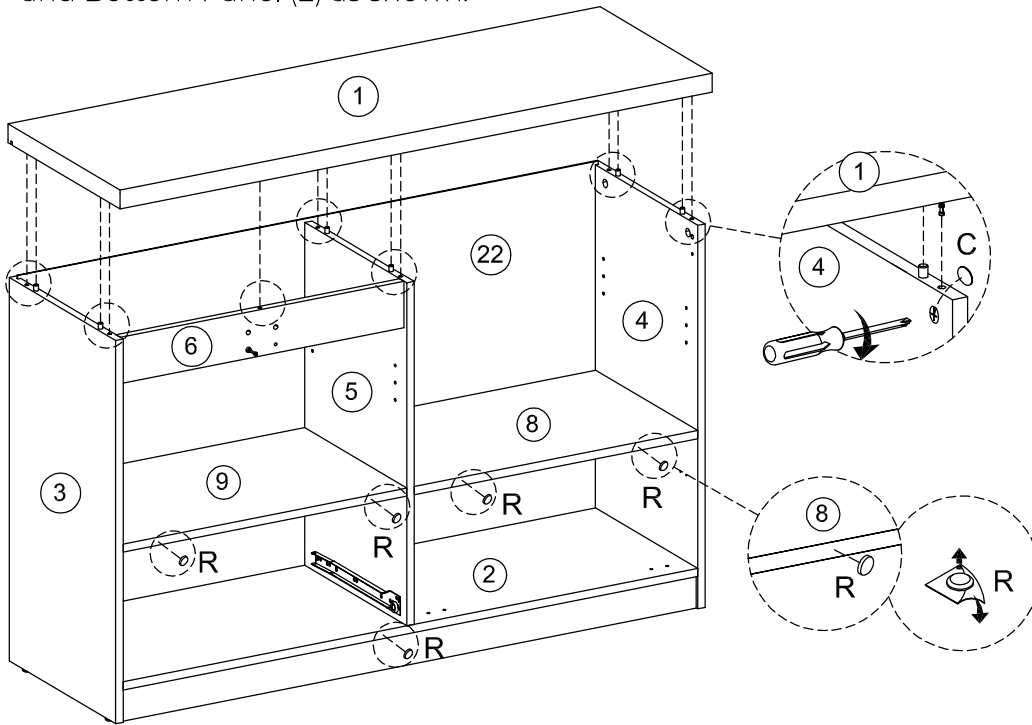
20.

Insert Bottom Backboard (23) and Top Backboard (22) into case assembly as shown.



21.

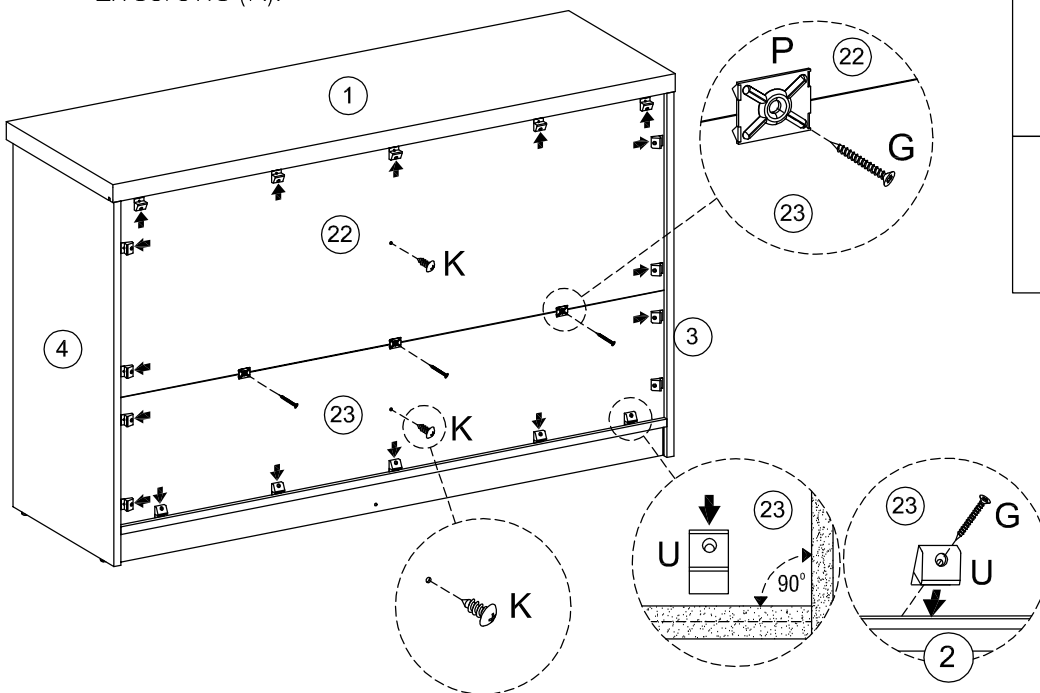
Attach Top Panel (1) to case assembly as shown. Lock the Cam Lock (A) clockwise using screwdriver, then paste 7x Cam Sticker (C). Paste 5x Buffer (R) on the Middle Left panel (9), Middle Right Panel (8) and Bottom Panel (2) as shown.



You will need:	
C	
7 Cam Stickers	
R	
5 Buffers	
1 Phillips head screwdriver	

22.

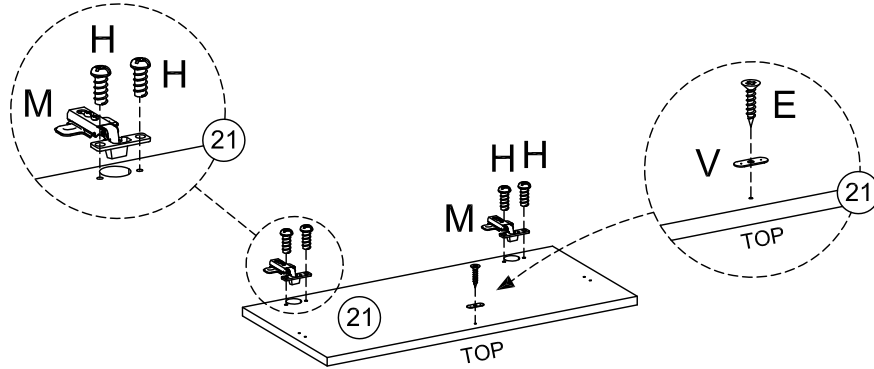
Install 18x Backply Stopper (U) to case assembly using 18x screws (G). Attach 3x Rear Panel Clamp (P) to case assembly using 3x screws (G). Tighten Top Backboard (22) and Bottom Backboard (23) using 2x screws (K).








You will need:	
G	P
21 Screws	3 Rear Panel Clamps
K	U
2 Screws	18 Backply Stoppers
1 Phillips head screwdriver	

23.

Install 2x Door Hinge (M) to Door (21) using 4x screws (H).
Attach 1x Plate (V) using 1x screw (E).

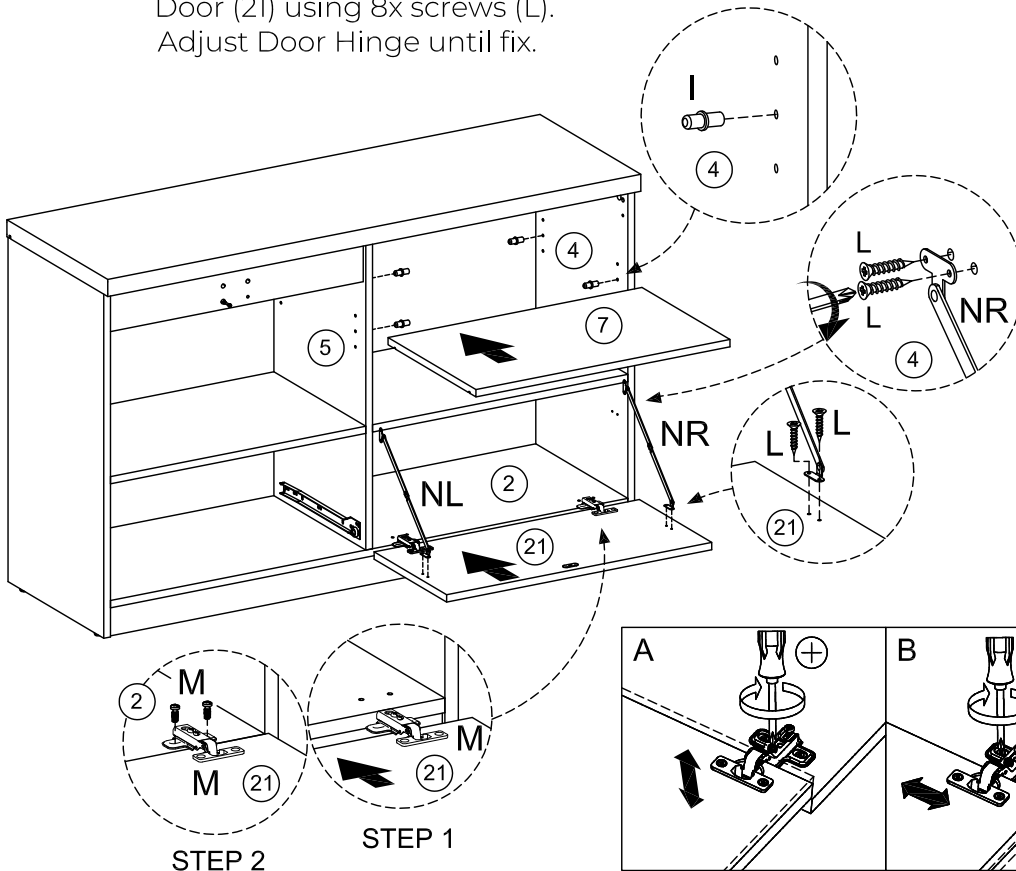


You will need:




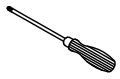
<p>H</p>  <p>4 Screws</p>	<p>M</p>  <p>2 Door Hinges</p>
<p>E</p>  <p>1 Screw</p>	<p>V</p>  <p>1 Plate</p>
 <p>1 Phillips head screwdriver</p>	

24.

Insert 4x Shelf Pin (I) to case assembly as shown.
Insert Adjustable Shelf (7) to case assembly as shown.
Install 1x Door Support (N) on the between case assembly and Door (21) using 8x screws (L).
Adjust Door Hinge until fix.

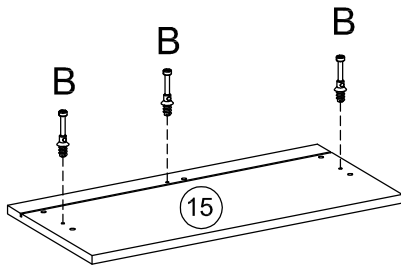


You will need:

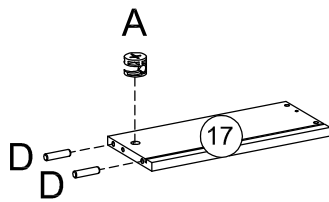
<p>I</p>  <p>4 Shelf Pins</p>	<p>N R</p>  <p>1 Door Support</p>
<p>L</p>  <p>8 Screws</p>	 <p>1 Phillips head screwdriver</p>

25.

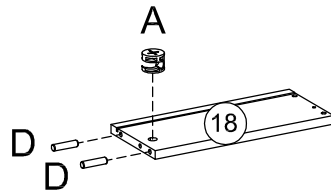
Attach 3x Cam Bolts (B) into Front Drawer (15).




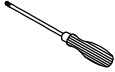


Insert 1x Cam Lock (A) and 2x Plastic Dowel (D) into Left Drawer (17).



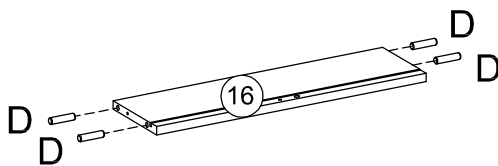
Insert 1x Cam Lock (A) and 2x Plastic Dowel (D) into Right Drawer (18).



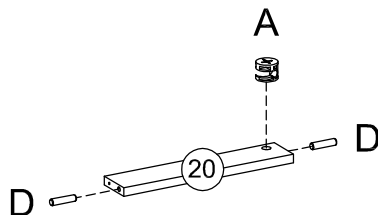
You will need:	
A	
2 Cam Locks	
B	
3 Cam Bolts	
D	
4 Plastic Dowels	
	
1 Phillips head screwdriver	



26.

Insert 4x Plastic Dowel (D) into Rear Drawer (16).



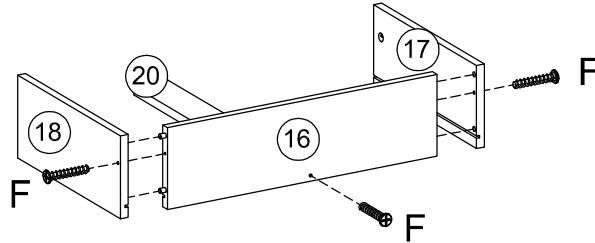
Insert 1x Cam Lock (A) and 2x Plastic Dowel (D) into Bottom Support Drawer (20).



You will need:	
A	
1 Cam Lock	
D	
6 Plastic Dowels	

27.

Attach Left Drawer (17), Right Drawer (18) and Bottom Support Drawer (20) to Rear Drawer (16) using 3x screws (F).

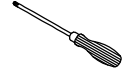


You will need:

F



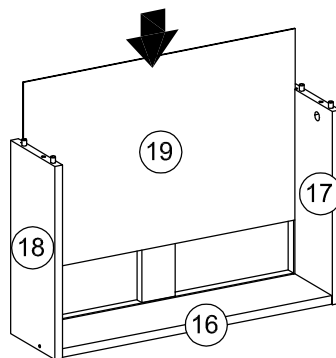
3 Screws



1 Phillips head screwdriver

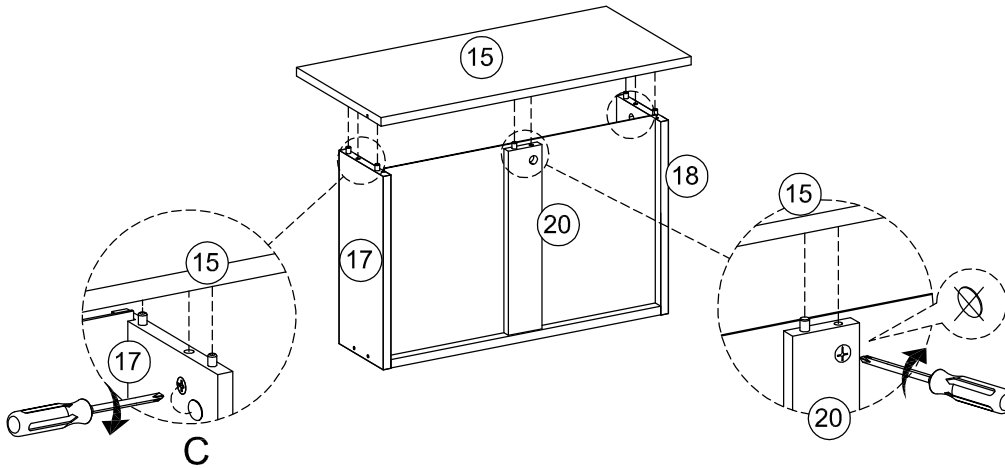
28.


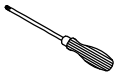
Insert Bottom Drawer (19) into Drawer assembly as shown.



29.

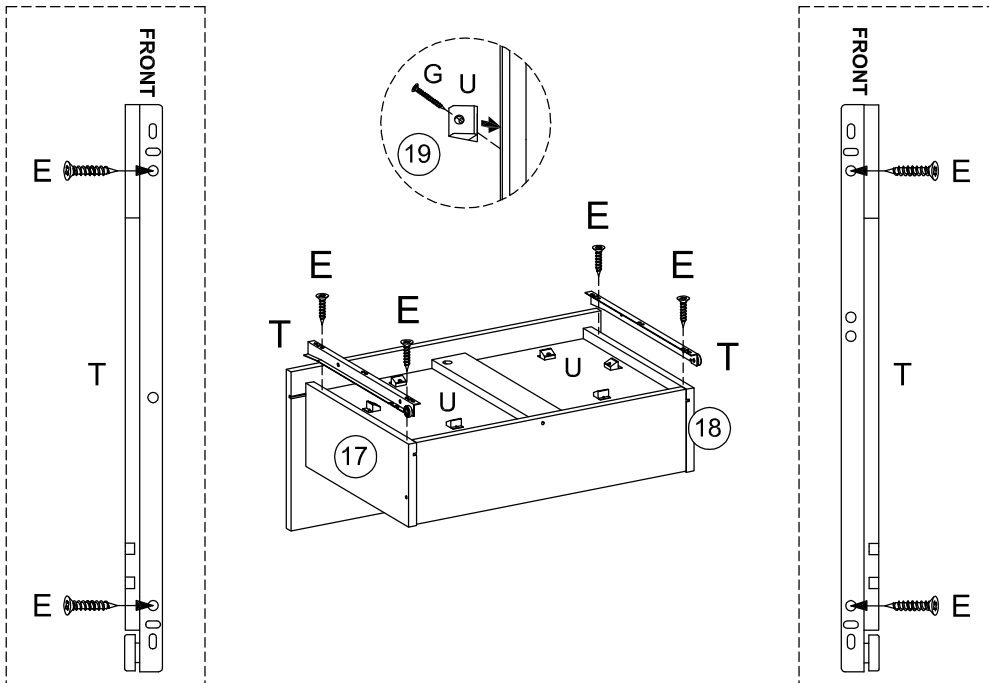
Attach Front Drawer (15) to drawer assembly as shown. Lock the Cam Lock (A) clockwise using screwdriver, then paste 2x Cam Sticker (C).





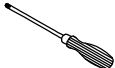


You will need:
<p>C</p>  <p>2 Cam Stickers</p>
 <p>1 Phillips head screwdriver</p>

30.

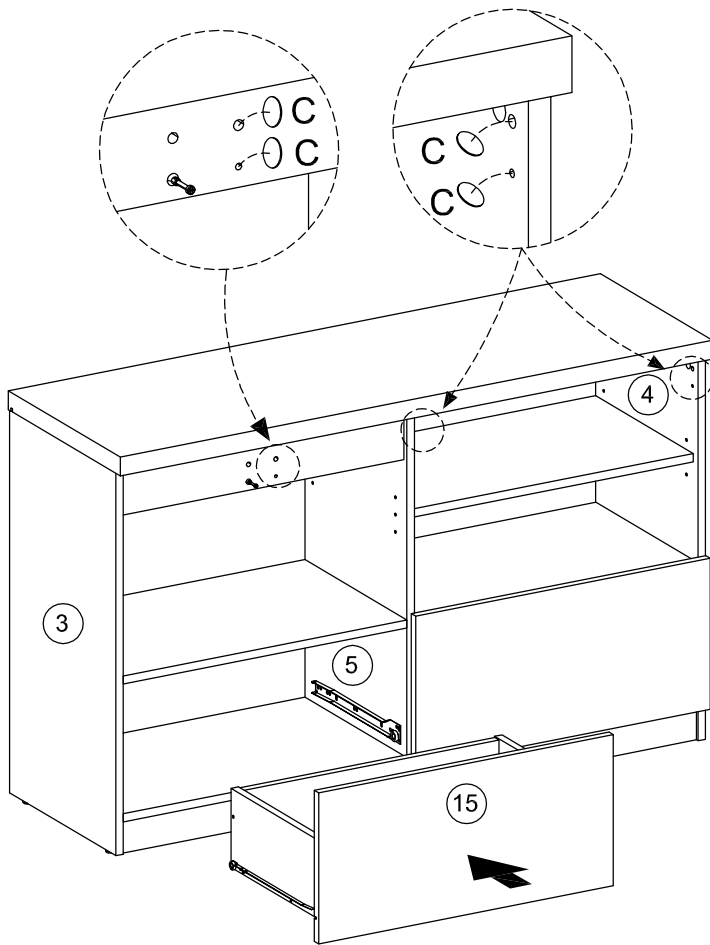
Attach Drawer Rail (T) to Drawer assembly using 4x screws (E). Install 6x Backply Stopper (U) on the drawer assembly using 6x screws (G).




You will need:
<p>E</p>  <p>4 Screws</p>
<p>G</p>  <p>6 Screws</p>
<p>T</p>  <p>1 Drawer Rail</p>
<p>U</p>  <p>6 Backply Stoppers</p>
 <p>1 Phillips head screwdriver</p>

31.

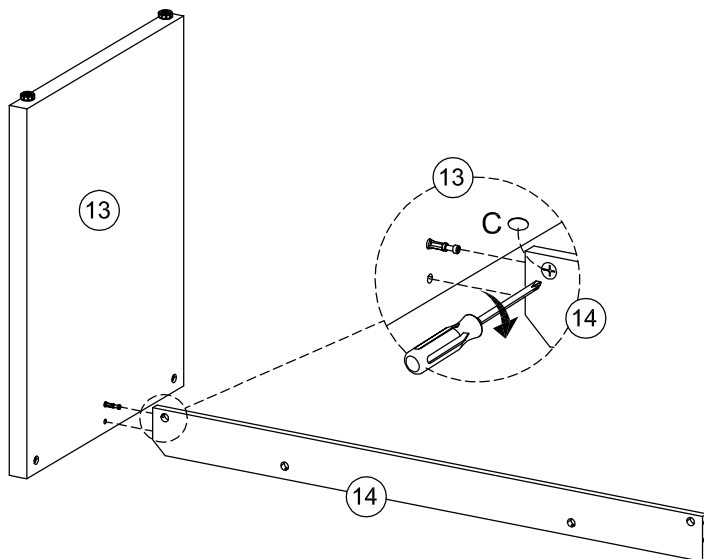
Insert Drawer into Case assembly as shown.
Paste 6x cam sticker (C) on the hole as shown.


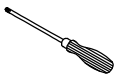


You will need:
C

6 Cam Stickers

32.

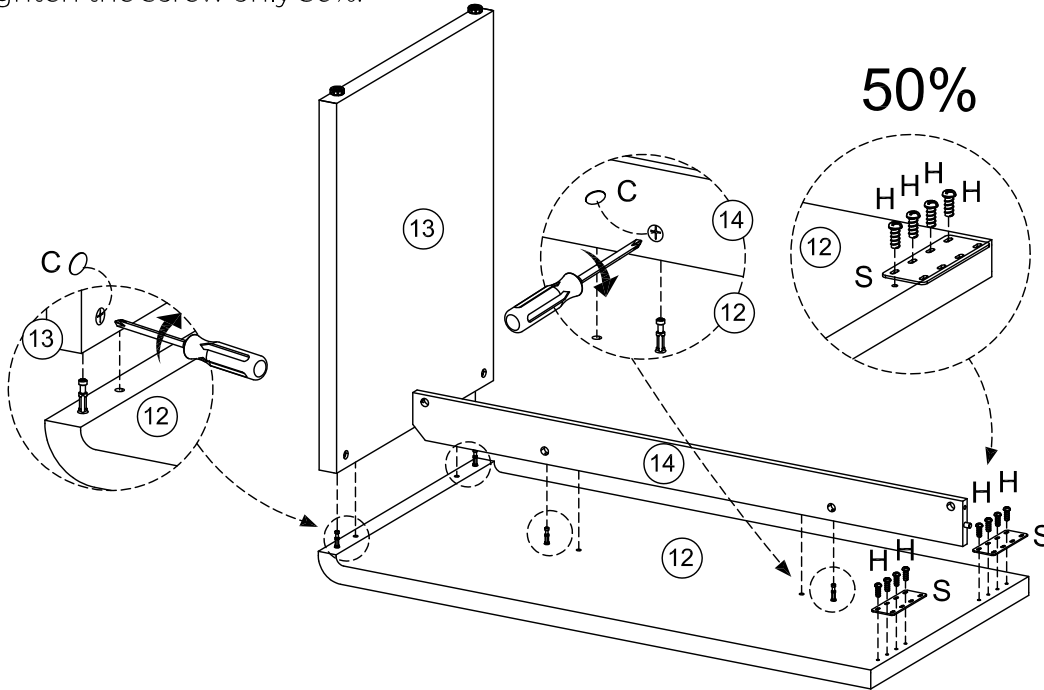
Attach Main Support (14) to Front Panel (13) as shown.
Lock the Cam Lock (A) clockwise using screwdriver,
then paste 1x Cam Sticker (C).






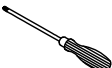
You will need:
C

1 Cam Sticker

1 Phillips head screwdriver

33.

Attach Main Support (14) and Front Panel (13) to Main Panel (12) as shown. Lock the Cam Lock (A) clockwise using screwdriver, then paste 4x Cam Sticker (C). Install 2x Plate Support (S) on the Main Panel (12) using 8x screws (H), tighten the screw only 50%.

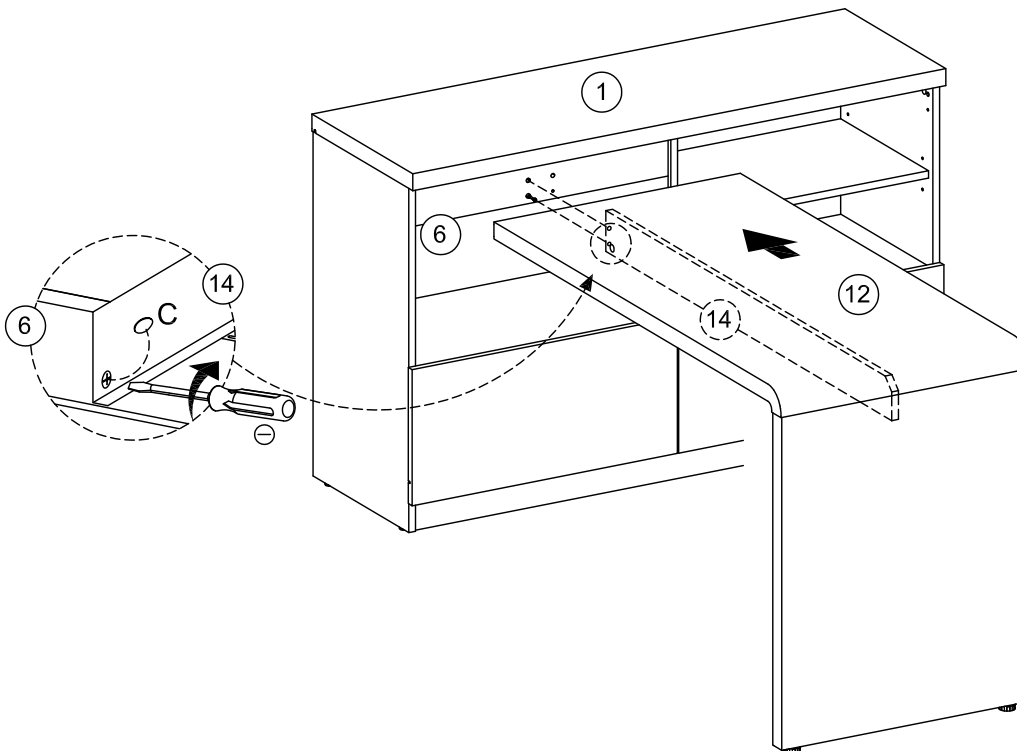


You will need:


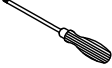
- C

4 Cam Stickers
- H

8 Screws
- S

2 Plate Supports
- 
1 Phillips head screwdriver

34.

Attach Main assembly to the cabinet as shown. Lock the Cam Lock (A) clockwise using screwdriver, then paste 1x Cam Sticker (C).

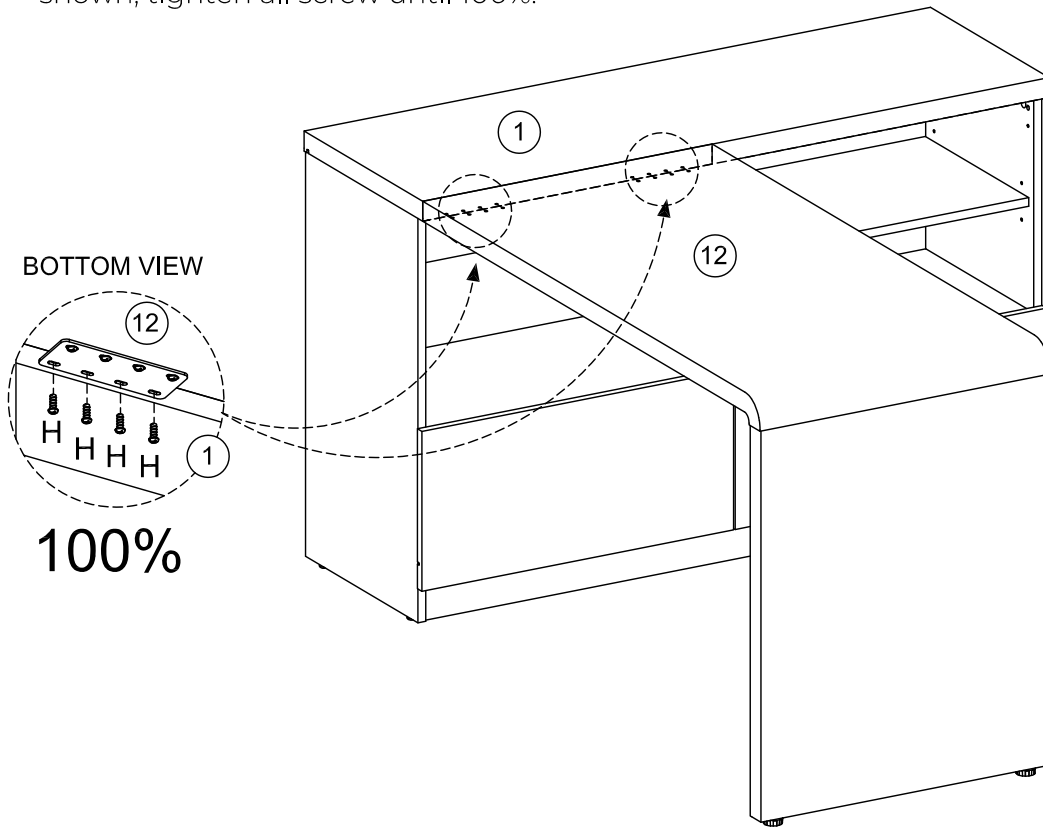


You will need:

- C

1 Cam Sticker
- 
1 Phillips head screwdriver

35.

Tighten on another hole of 2x Plate Support (S) using 8x screws (H) as shown, tighten all screw until 100%.

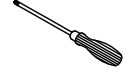


You will need:

H



8 Screws



1 Phillips head screwdriver

36.

Assembly is complete.

