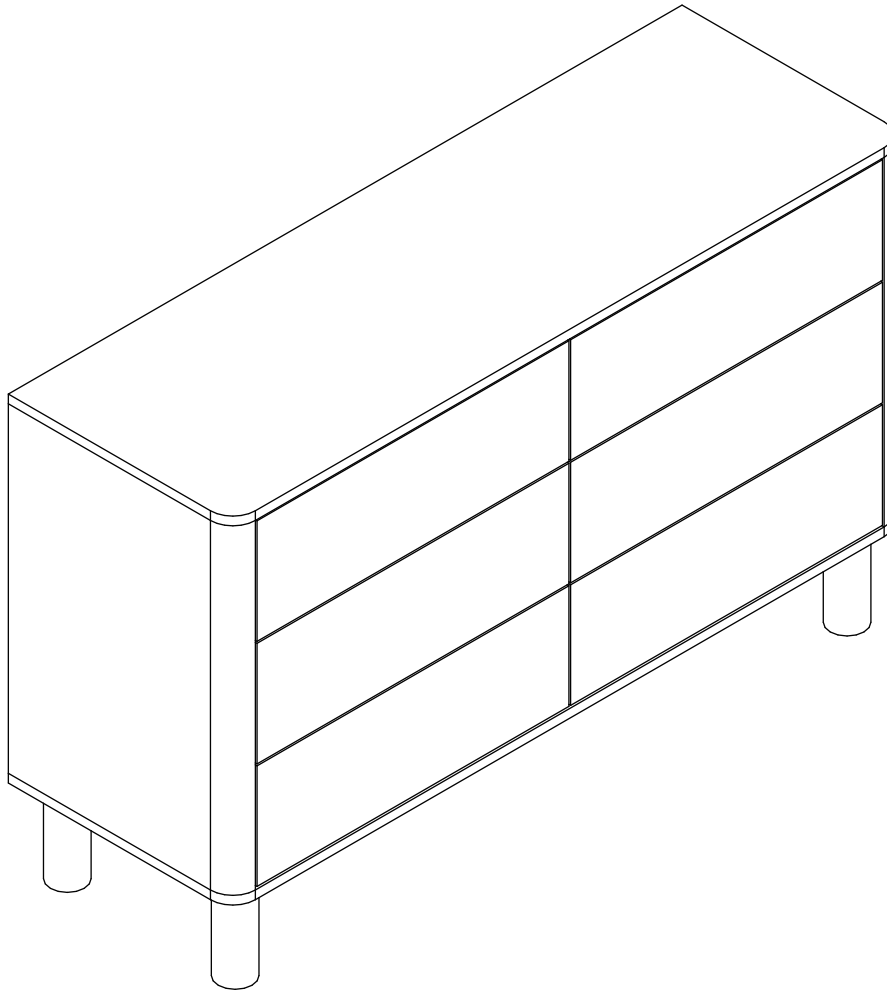


**TEMPLE &  
WEBSTER**

---

**ASSEMBLY  
INSTRUCTIONS**



---

# **Rupert 6 Drawer Chest**

# Read first, enjoy forever

## Assembly tips

- Assemble your product on a level surface and lay something soft underneath to protect potential floor damage.
- Don't over tighten screws. During assembly we recommend tightening to approximately 70% tightness. Only tighten hardware 100% when fully assembled.
- Keep children away from assembly area as bags and small parts can pose a choking hazard.
- Make sure you have enough space to layout parts before starting. We recommend assembling your item in its final location.
- Do not stand on or put weight on the parts as it may warp or damage product.
- We do not recommend the use of drills or power tools (unless specified) as it may damage the product or hardware. Use hand held screwdrivers only.
- It is best that two people assemble the product as some products may be too heavy for one person. Check this booklet for guidance.

## Safety, care and maintenance

- To reduce the risk of injury, always secure storage furniture to walls and/or floors by using tip-over restraints.
- Never let children climb or hang on drawers, doors or shelves.
- To protect your product and your home, we recommend using coasters, placemats, rugs and other protective items.
- Screws may loosen over time. We recommend setting a reminder to tighten up every six months.
- Remove any liquid spills immediately using a clean cloth with mild detergent. Do not use bleach or abrasive cleaners. Always test any cleaning agent in an inconspicuous spot first to know if it is suitable.

## Recycling

We hope that you love your product forever, but we know situations change. In the event that you wish to dispose of your product please consider some creative ways to give it a new home:

- If it's still in great shape, sell it on your favourite online marketplace!
- Give it a second life by affording it a fresh coat of paint.
- If you must dispose of it, why not donate it to your local charity or shelter for someone else to enjoy.

Please dispose of this product and packaging responsibly and recycle where possible. Scan the QR code to read more about Temple and Webster's commitment to a more sustainable future.



# Important safety instructions

## **DANGER!**

Children have died from furniture tip over.

### **Toppling Hazard Warning**

- ALWAYS secure items with an anchor device
- For safety reasons, we recommend you follow the provided instructions
- When installed properly, the provided hardware may prevent the unit from tipping over unexpectedly.
- Never let children climb or hang on drawers, doors or shelves.
- NEVER open more than one drawer at a time
- Place heavy items down low
- For advice on suitable fastening devices, contact your local specialized dealer



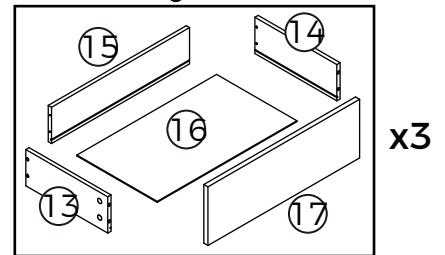
# Parts List

Rupert 6 Drawer Chest  
FJRUCDON

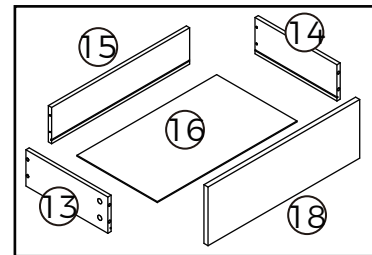
NUMBER OF PEOPLE REQUIRED FOR ASSEMBLY:

2

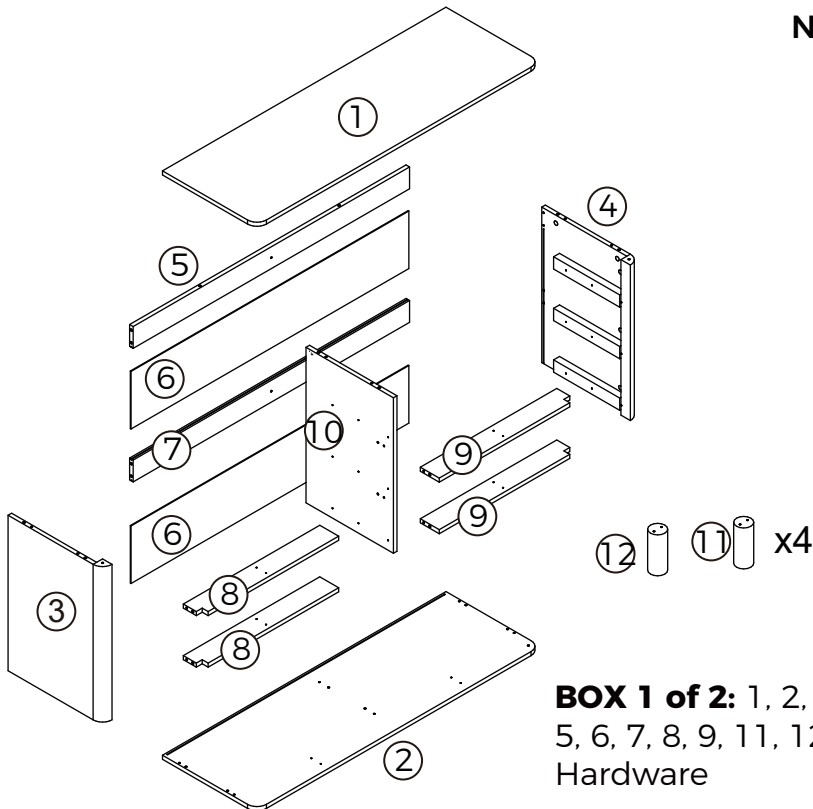
TOOLS REQUIRED FOR ASSEMBLY



x3





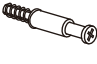


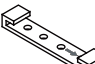


















x3



**BOX 1 of 2:** 1, 2, 3, 4, 5, 6, 7, 8, 9, 11, 12, Hardware

**BOX 2 of 2:** 10, 13, 14, 15, 16, 17, 18

## Hardware

<b>A</b>  Dowels x22	<b>B</b>  Long Screws x18	<b>C</b>  Cam Bolts x46	<b>D</b>  Cam Nuts x46	<b>E</b>  Small Screws x72	<b>F</b>  Brackets x6	<b>G</b>  Covers x6	<b>H</b>  Screws x20
<b>I</b>  Bracket x5	<b>J</b>  Wedges x8	<b>K</b>  Wedge Screws x8	<b>L</b>  Safety Straps x2	<b>M</b>  Screws x2	<b>N</b>  Wall Plugs x2	<b>O</b>  Wall Screws x2	<b>P</b>  Washers x4
<b>Q</b>  Felt Pads x4	<b>R</b>  CL Runner Tracks x6	<b>S</b>  CR Runner Tracks x6	<b>T</b>  DL Runners x6	<b>U</b>  DR Runners x6	<b>V</b>  Large Dowels x2	<b>W</b>  Adjuster x1	<b>X</b>  Screws x24

# 1.

Attach 3 x CL Runner Tracks (R) To Divider [10] with 9 x Small Screws (E).  
Attach 3 x CR Runner Tracks (S) To Divider [10] with 9 x Small Screws (E).

## You will need



3 CL Runner Tracks



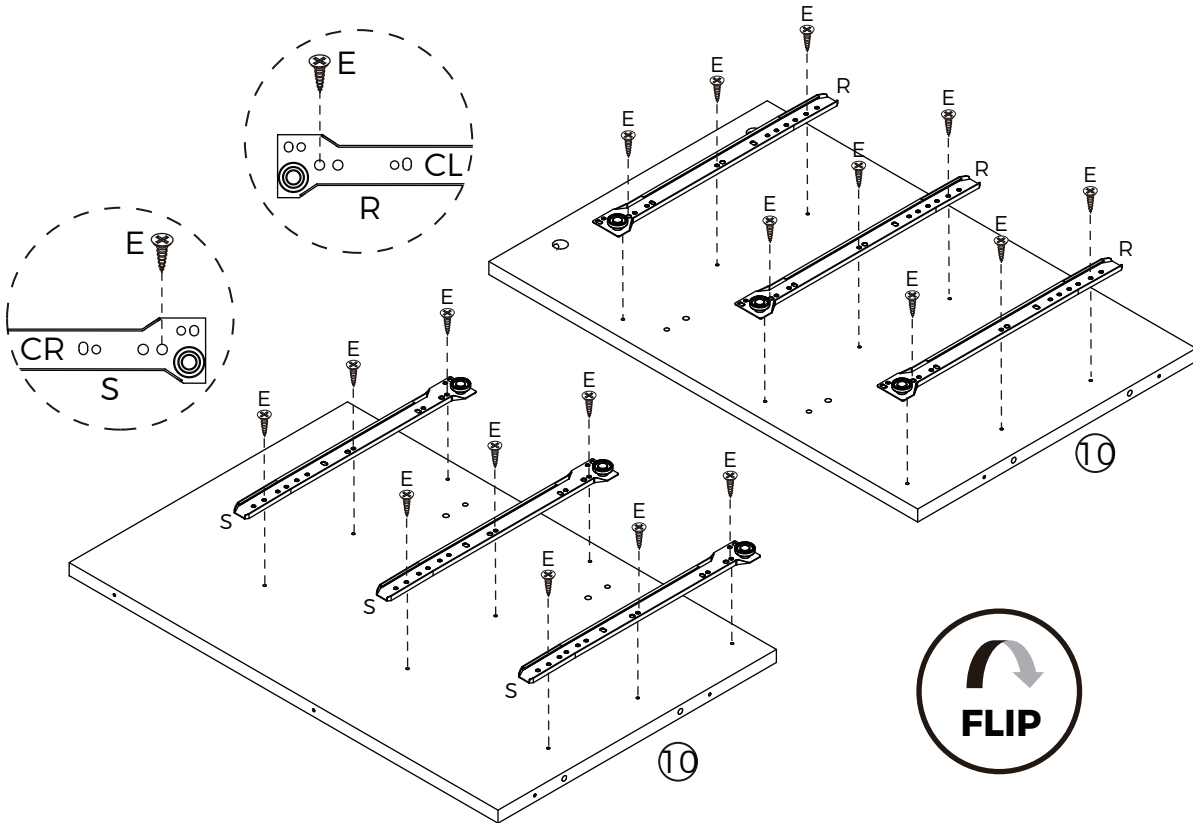
3 CR Runner Tracks



18 Small Screws



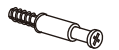
Phillips Head Screwdriver



# 2.

Attach 4 x Cam Bolts (C) to Divider [10].

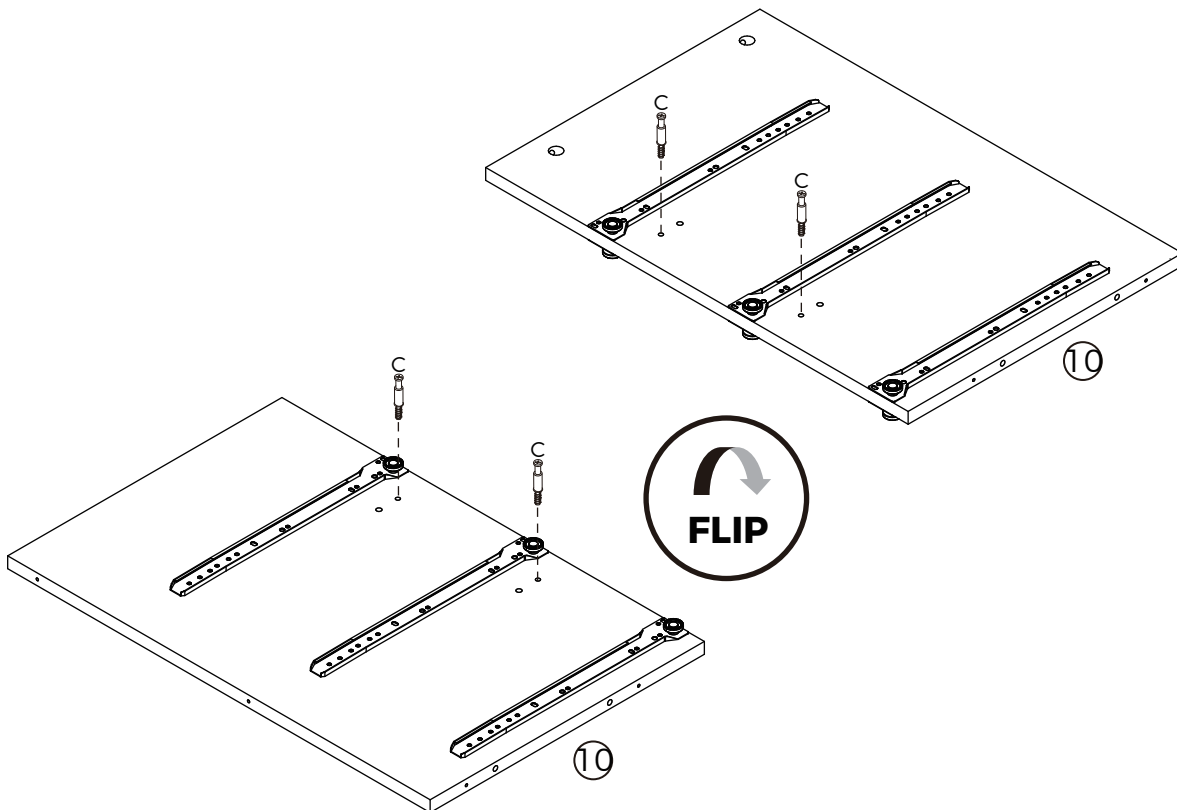
## You will need



4 Cam Bolts

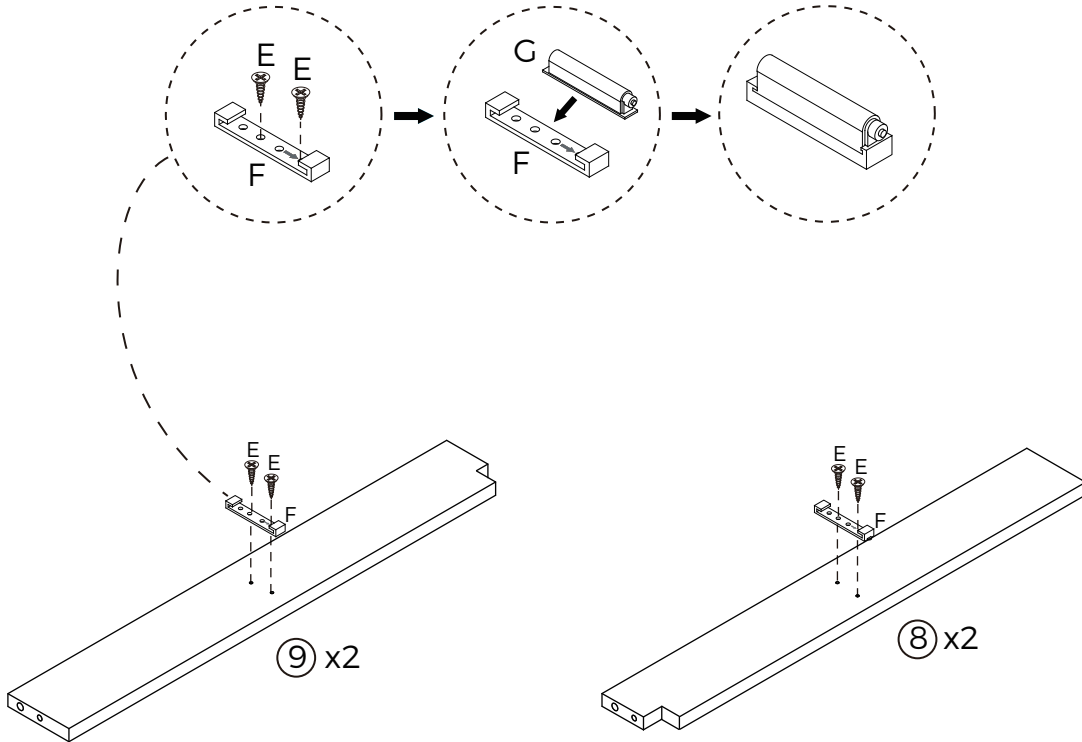


Phillips Head Screwdriver

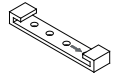


### 3.

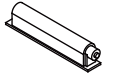
Attach 4x Brackets (F) to Rails [8 & 9] and secure with 8x Screws (E). Place 4x Covers (G) over the Brackets (F).



#### You will need



4 Brackets



4 Covers



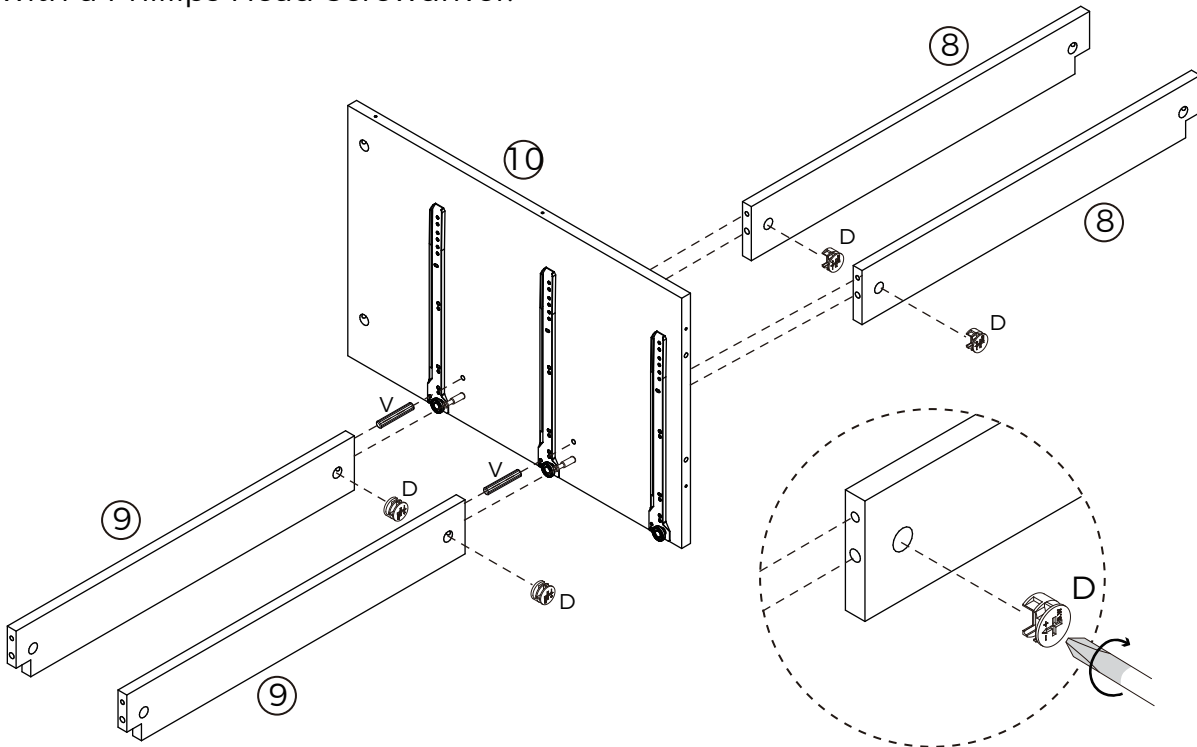
8 Small Screws



Phillips Head Screwdriver

### 4.

Insert 2 x Long Dowels (V) into Divider [10]. Insert 4 x Cam Nuts (D) into the holes of Rails [8 & 9]. Rotate the cam nuts so the arrows point towards the incoming cam bolts. Push Rails [8 & 9] into place and tighten the cam nuts with a Phillips Head Screwdriver.



#### You will need



2 Large Dowels



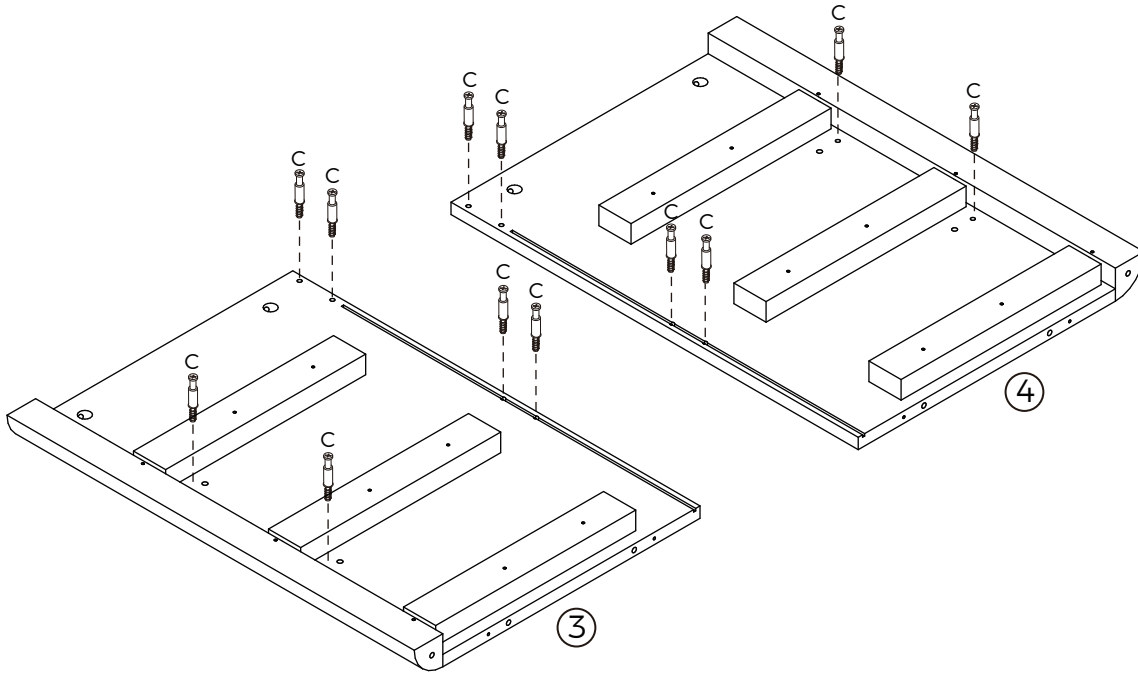
4 Cam Nuts



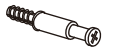
Phillips Head Screwdriver

# 5.

Attach 12 x Cam Bolts (C) to Left & Right Side Panels [3 & 4].



## You will need



12 Cam Bolts

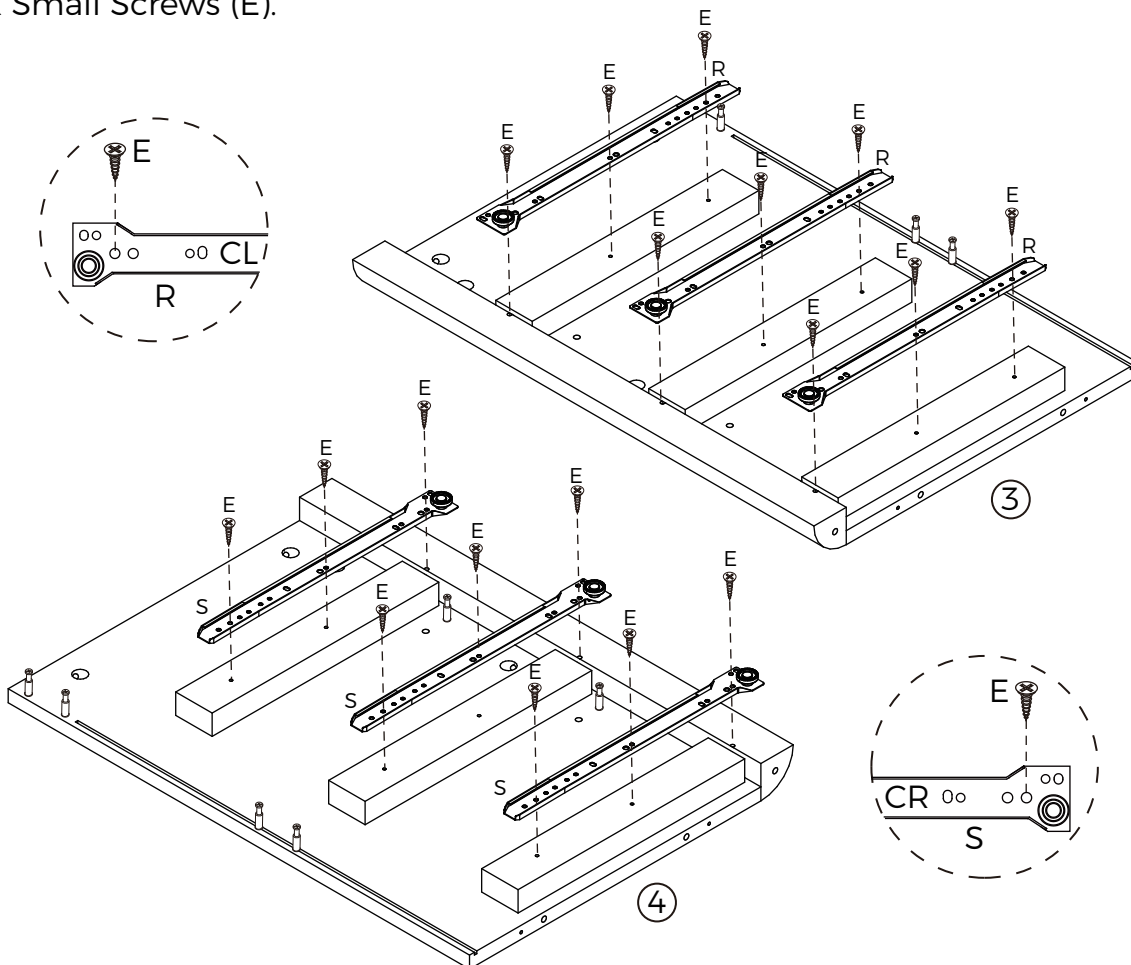


Phillips Head Screwdriver

# 6.

Attach 3 x CL Runner Tracks (R) To Left Side Panel [3] with 9 x Small Screws (E).

Attach 3 x CR Runner Tracks (S) To Right Side Panel [4] with 9 x Small Screws (E).



## You will need



3 CL Runner Tracks



3 CR Runner Tracks



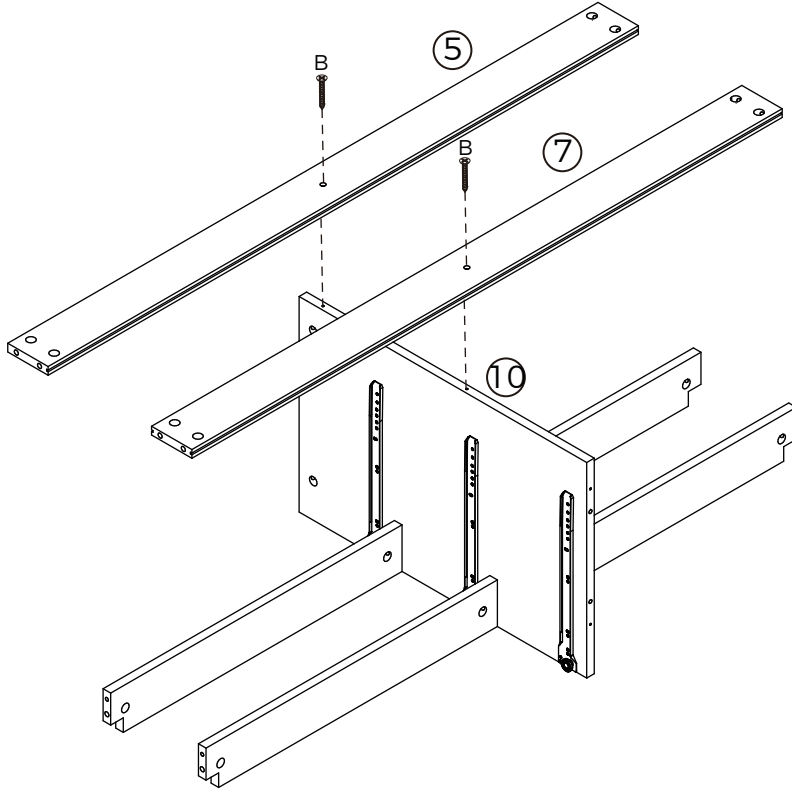
18 Small Screws



Phillips Head Screwdriver

# 7.

Attach Rails [ 5 & 7 ] to Divider [10] and secure with 2x Long Screws (B).



## You will need



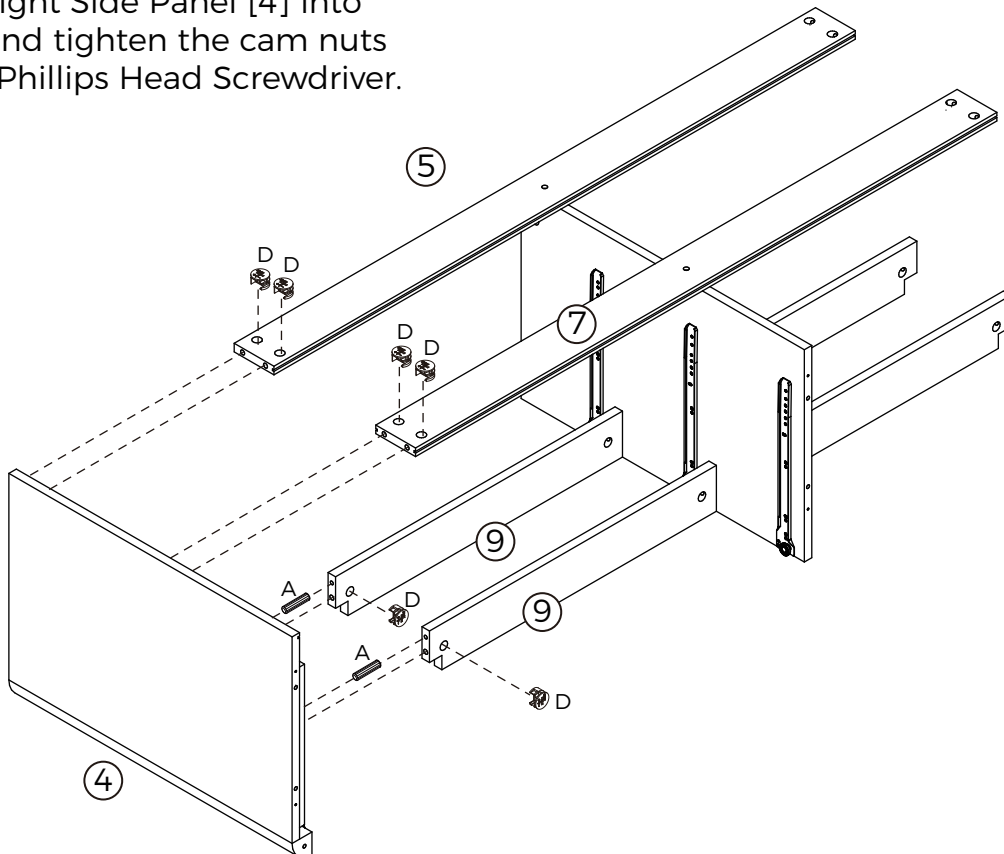
2 Long Screws



Phillips Head Screwdriver

# 8.

Insert 2 x Dowels (A) into Right Side Panel [4]. Insert 6 x Cam Nuts (D) into the holes of Rails [5 & 7 & 9]. Rotate the cam nuts so the arrows point towards the incoming cam bolts. Push Right Side Panel [4] into place and tighten the cam nuts with a Phillips Head Screwdriver.



## You will need



2 Dowels



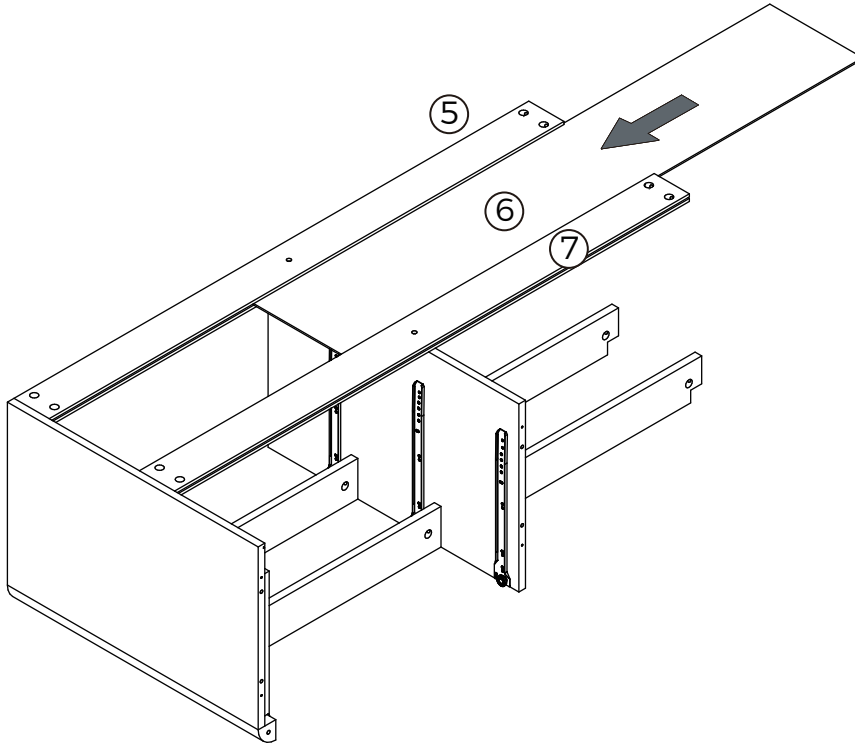
6 Cam Nuts



Phillips Head Screwdriver

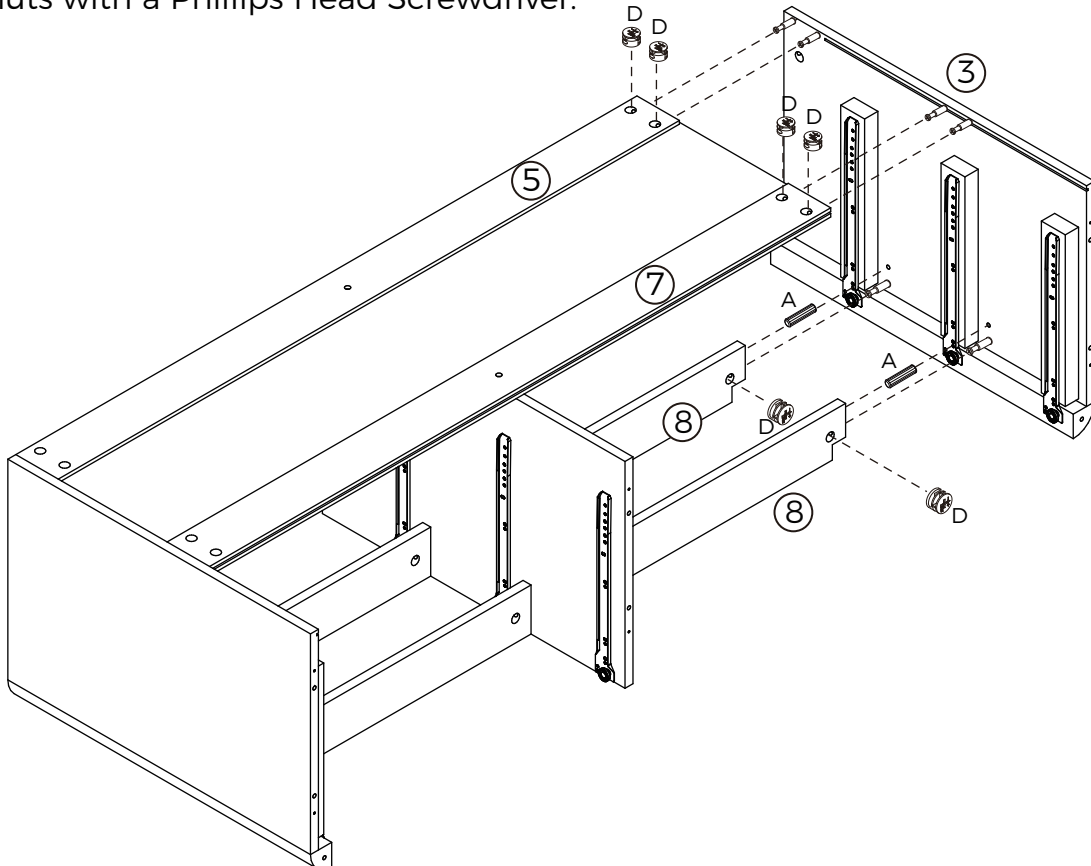
# 9.

Insert Back Panel [6] into the grooves of Rails [5 & 7].



# 10.

Insert 2 x Dowels (A) into Rails [8]. Insert 6 x Cam Nuts (D) into the holes of Rails [5 & 7 & 8]. Rotate the cam nuts so the arrows point towards the incoming cam bolts. Push Left Side Panel [3] into place and tighten the cam nuts with a Phillips Head Screwdriver.



## You will need



2 Dowels



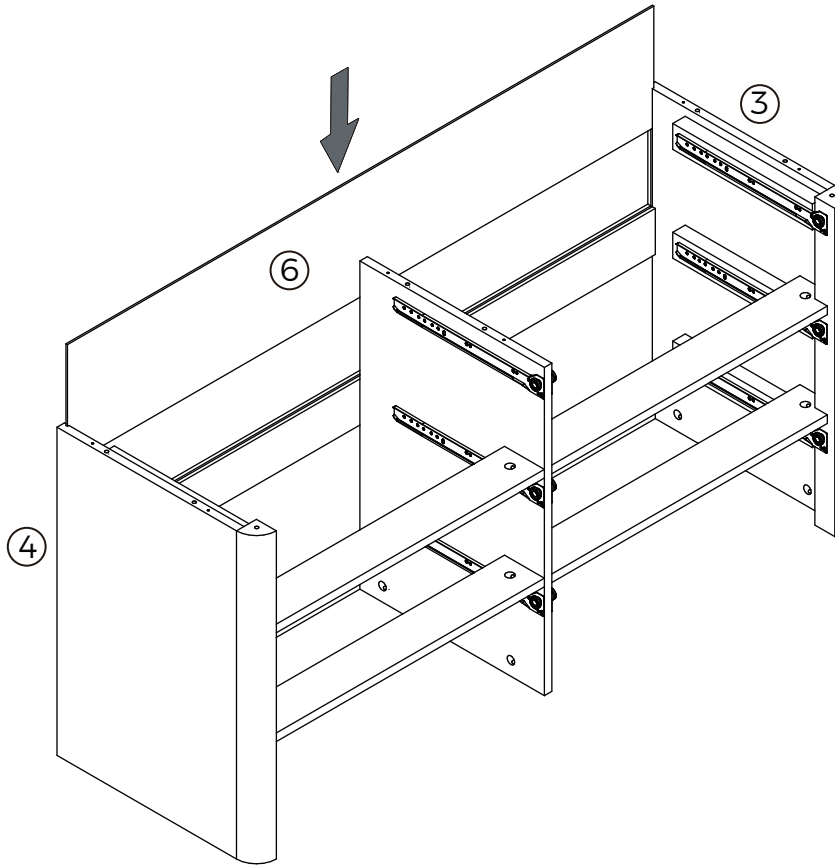
6 Cam Nuts



Phillips Head  
Screwdriver

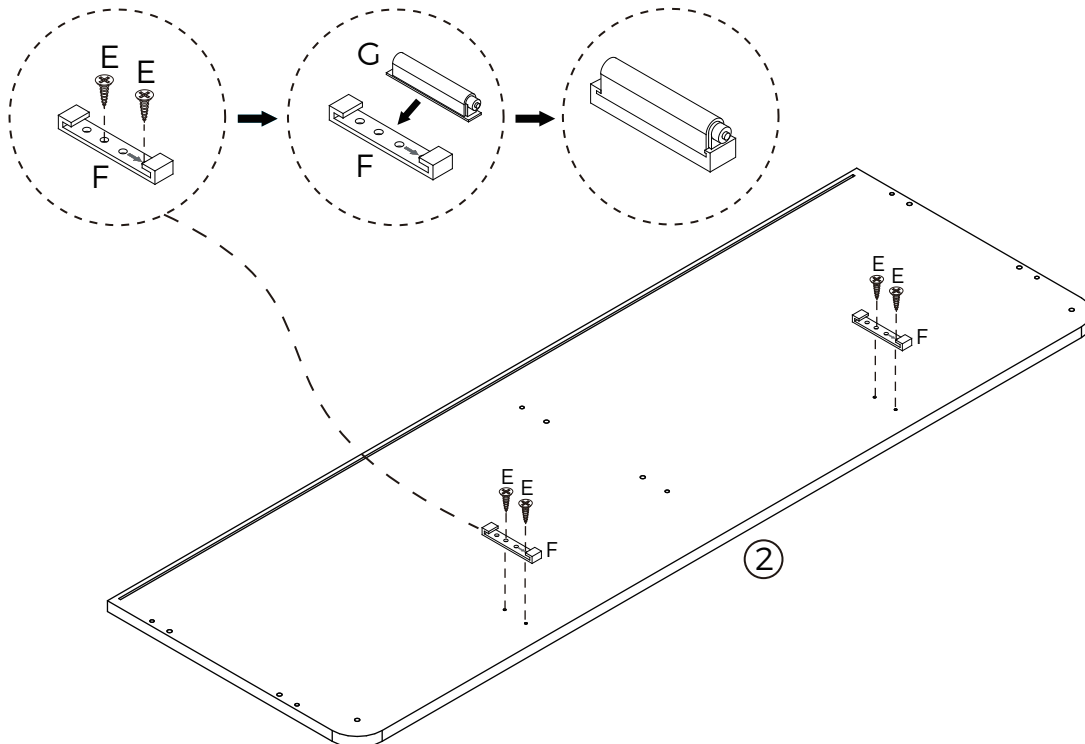
# 11.

Insert Back Panel [6] into the grooves of Side Panels [3 & 4].

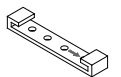


# 12.

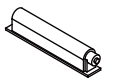
Attach 2 x Brackets (F) to Panel [2] and secure with 4x Screws (E).  
Place 2 x Covers (G) over the Brackets (F).



## You will need



2 Brackets



2 Covers



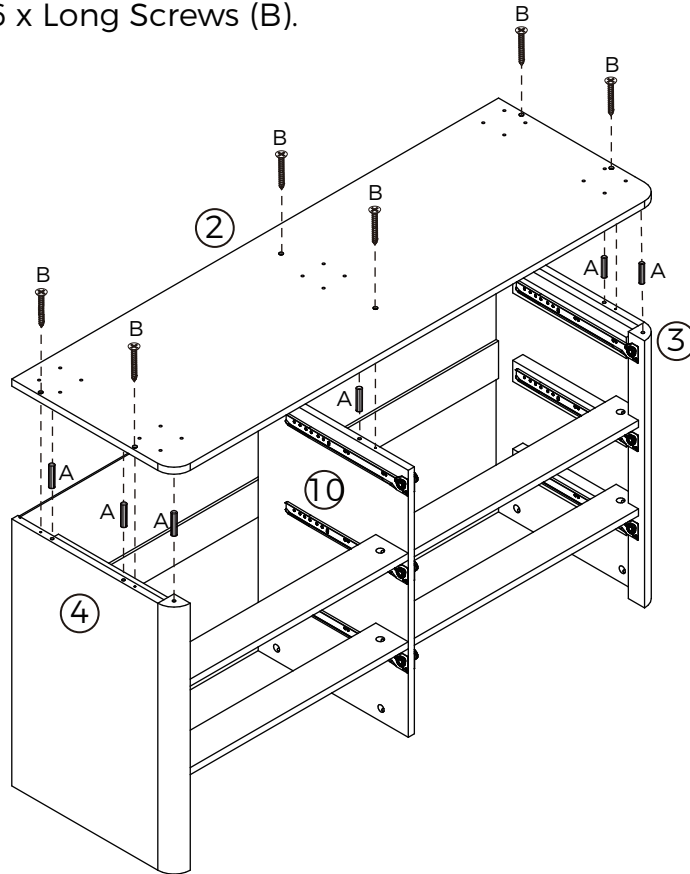
4 Small Screws



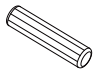
Phillips Head  
Screwdriver

# 13.

Insert 8 x Dowels (A) to Left & Right Side Panels [3 & 4] and Divider [10] and secure with 6 x Long Screws (B).



## You will need



8 Dowels



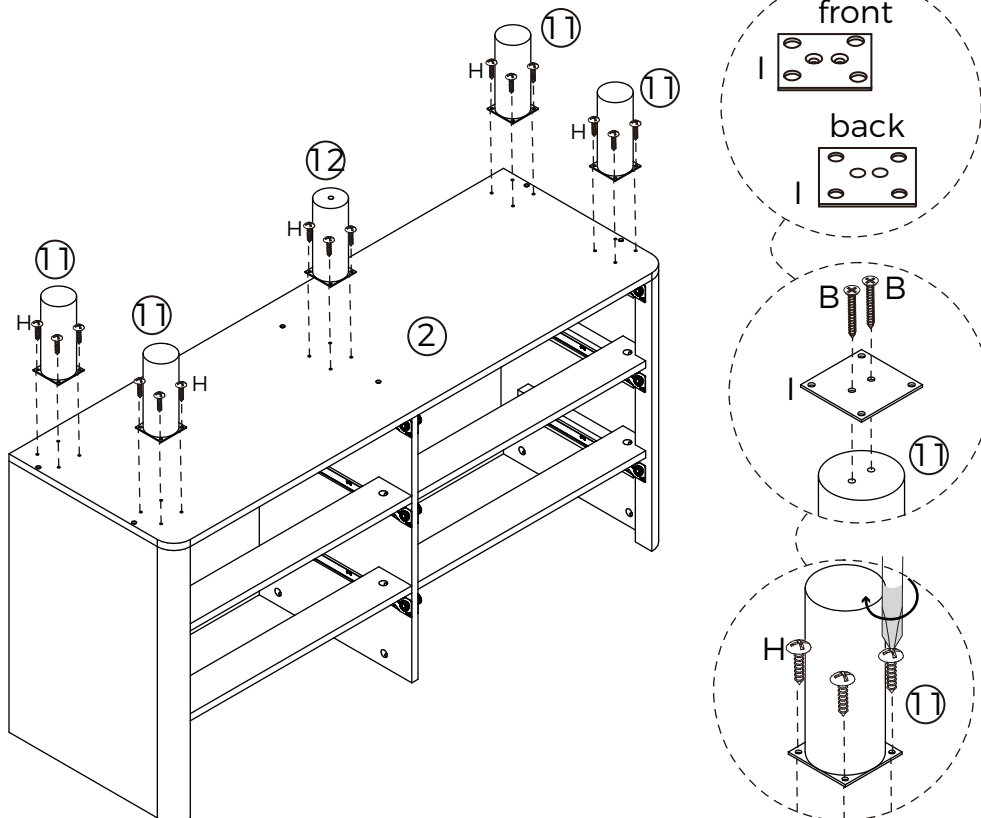
6 Screws



Phillips Head  
Screwdriver

# 14.

Attach 5 x Brackets (I) to Legs [11 & 12] with 10 x Long Screws (B).  
Attach Legs [11 & 12] to Bottom Panel [2] with 20 x Screws (H).



## You will need



10 Long Screws



20 Screws



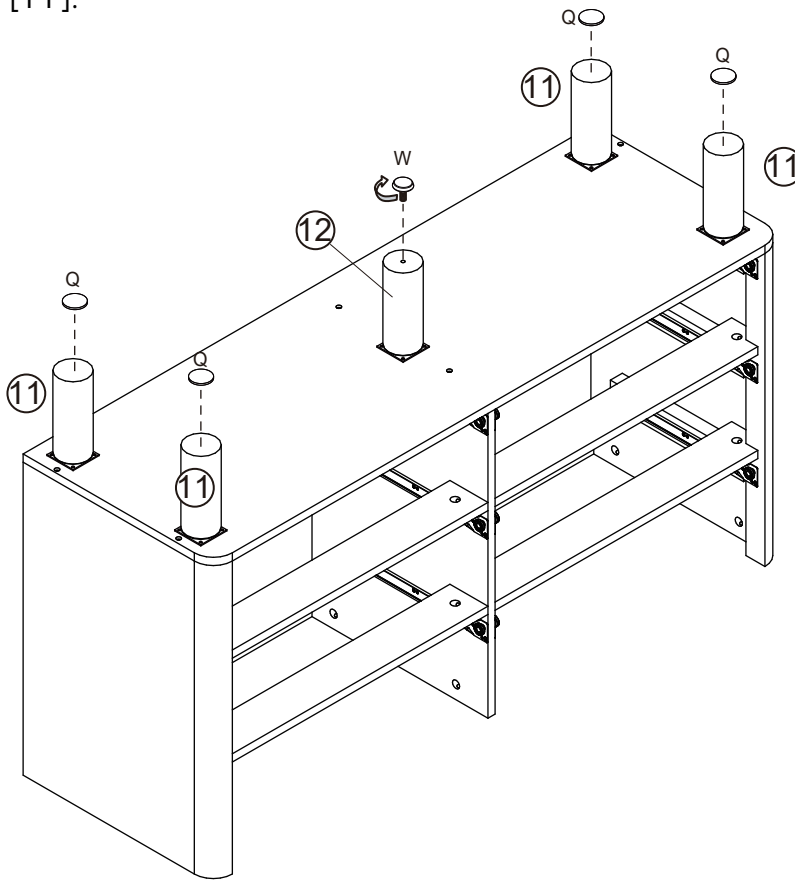
5 Brackets



Phillips Head  
Screwdriver

# 15.

Insert 1 x Adjuster (W) into the Support Leg [12]. Attach 4 x Felt Pads (Q) to end of Legs [11].



## You will need



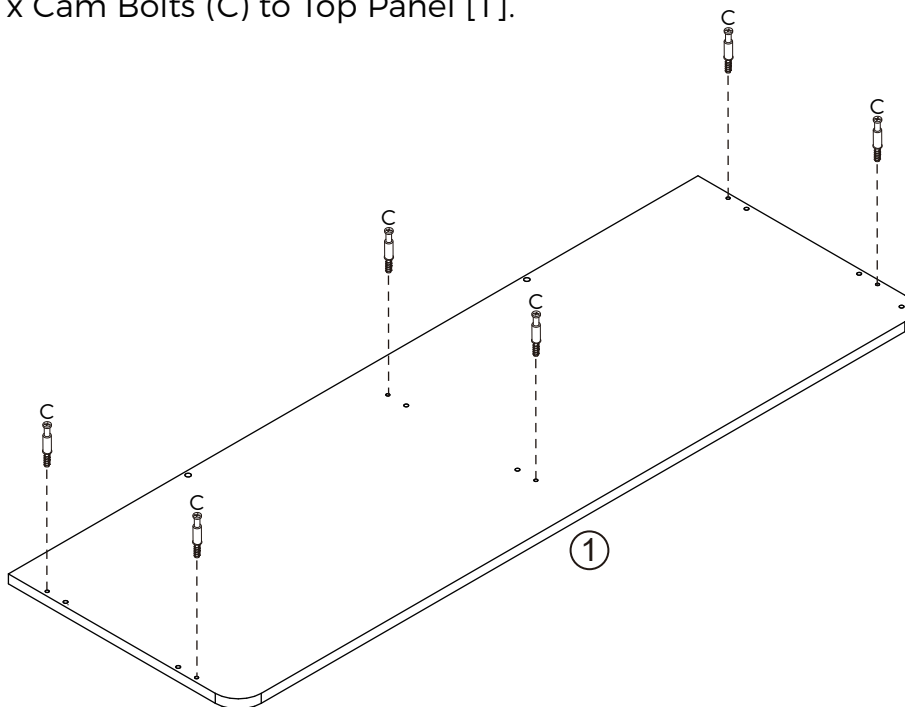
4 Felt Pads



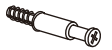
1 Adjuster

# 16.

Attach 6 x Cam Bolts (C) to Top Panel [1].



## You will need



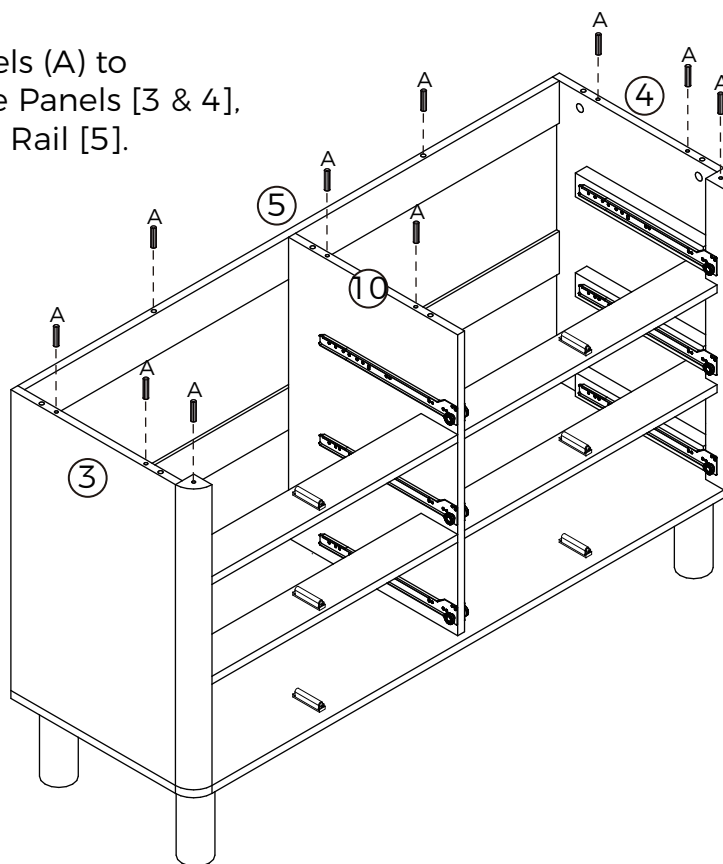
6 Cam Bolts



Phillips Head  
Screwdriver

# 17.

Insert 10 x Dowels (A) to Left & Right Side Panels [3 & 4], Divider [10] and Rail [5].



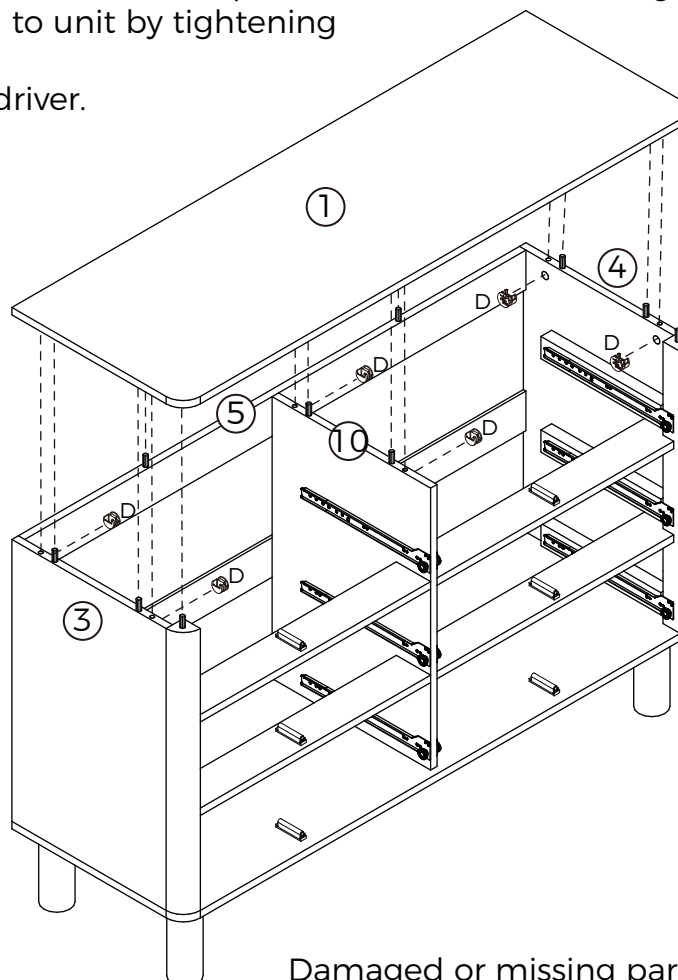
**You will need**



10 Dowels

# 18.

Insert 6 x Cam Nuts (D) into Left & Right Side Panels [3 & 4] and Divider [10]. Rotate the cam nuts so the arrows point towards the incoming cam bolts. Attach Top Panel [1] to unit by tightening cam nuts with the Phillips Head Screwdriver.



**You will need**



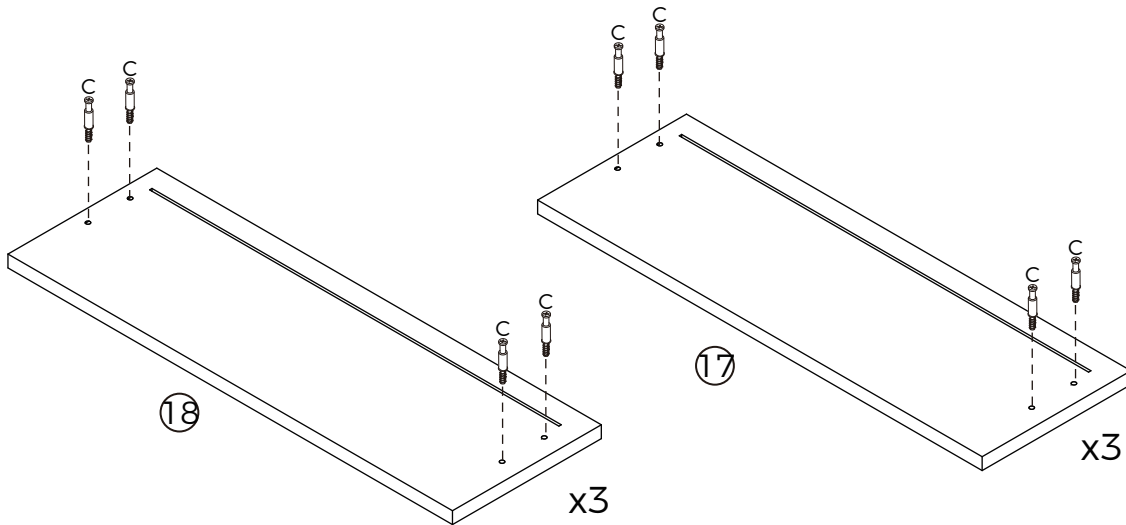
6 Cam Nuts



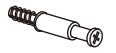
Phillips Head Screwdriver

# 19.

Attach 8 x Cam Bolts (C) to Drawer Fronts [17 & 18].  
Repeat this step for the remaining Drawers.



## You will need



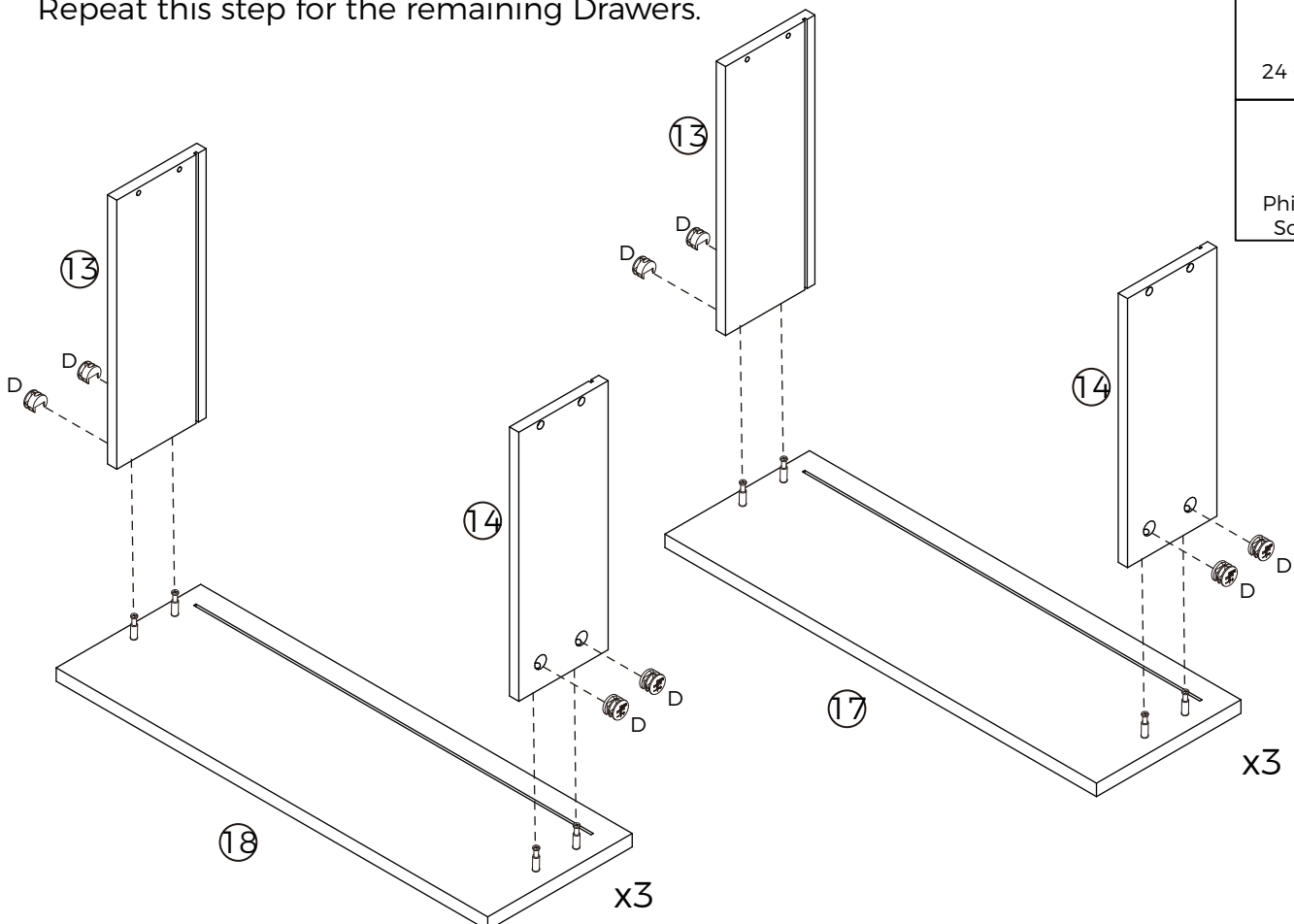
24 Cam Bolts



Phillips Head  
Screwdriver

# 20.

Insert 8 x Cam Nuts (D) into Left & Right Drawer Sides [13 & 14].  
Rotate the cam nuts so the arrows point towards the incoming cam bolts.  
Attach Left & Right Drawer Sides [13 & 14] to Drawer Fronts [17 & 18] by  
tightening cam nuts with the Phillips Head Screwdriver.  
Repeat this step for the remaining Drawers.



## You will need



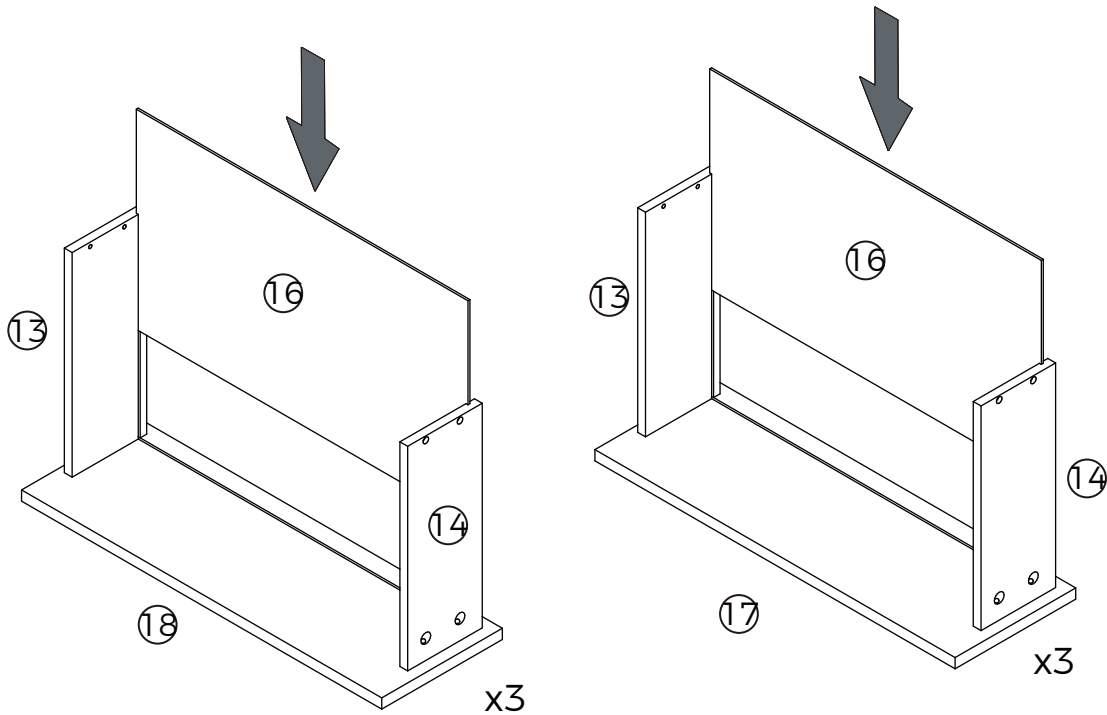
24 Cam Nuts



Phillips Head  
Screwdriver

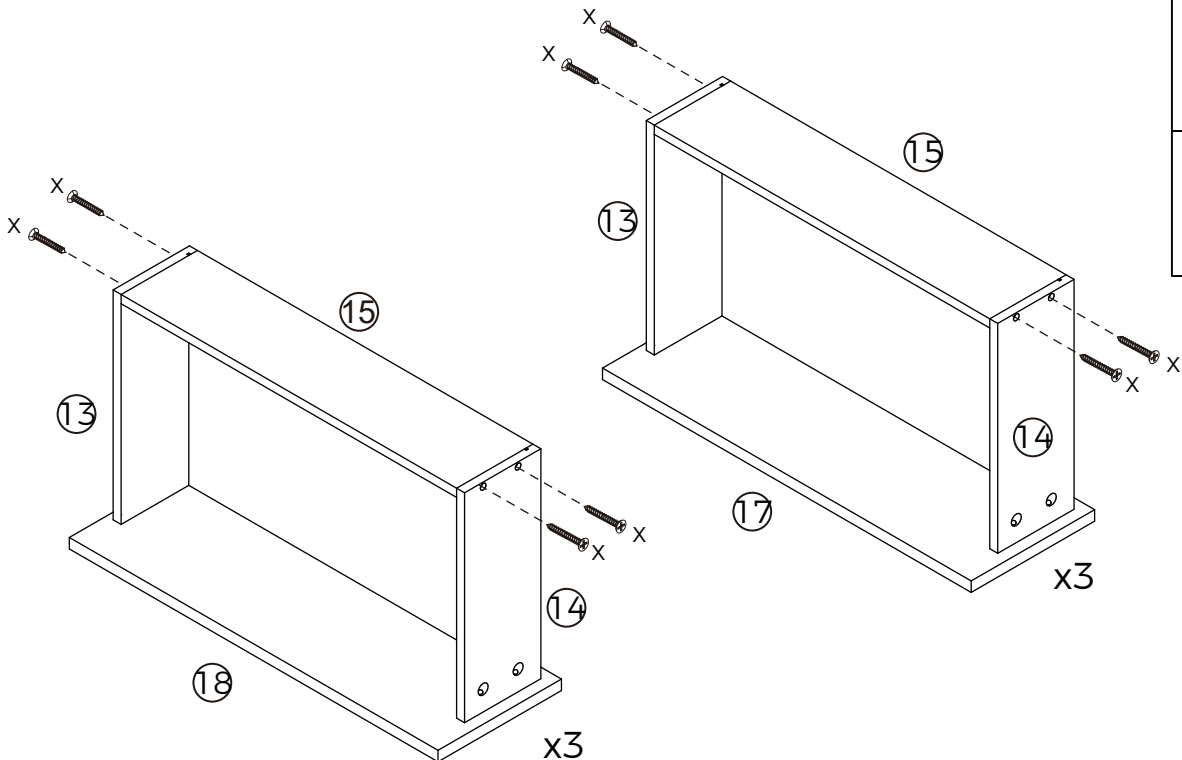
# 21.

Slide 2 x Drawer Bases [16] into the grooves of Left & Right Drawer Sides (13 & 14). Repeat this step for the remaining Drawers.



# 22.

Attach Drawer Backs [15] to Left & Right Drawer Sides [13 & 14] with 8 x Long Screws (X). Repeat this step for the remaining Drawers.



**You will need**



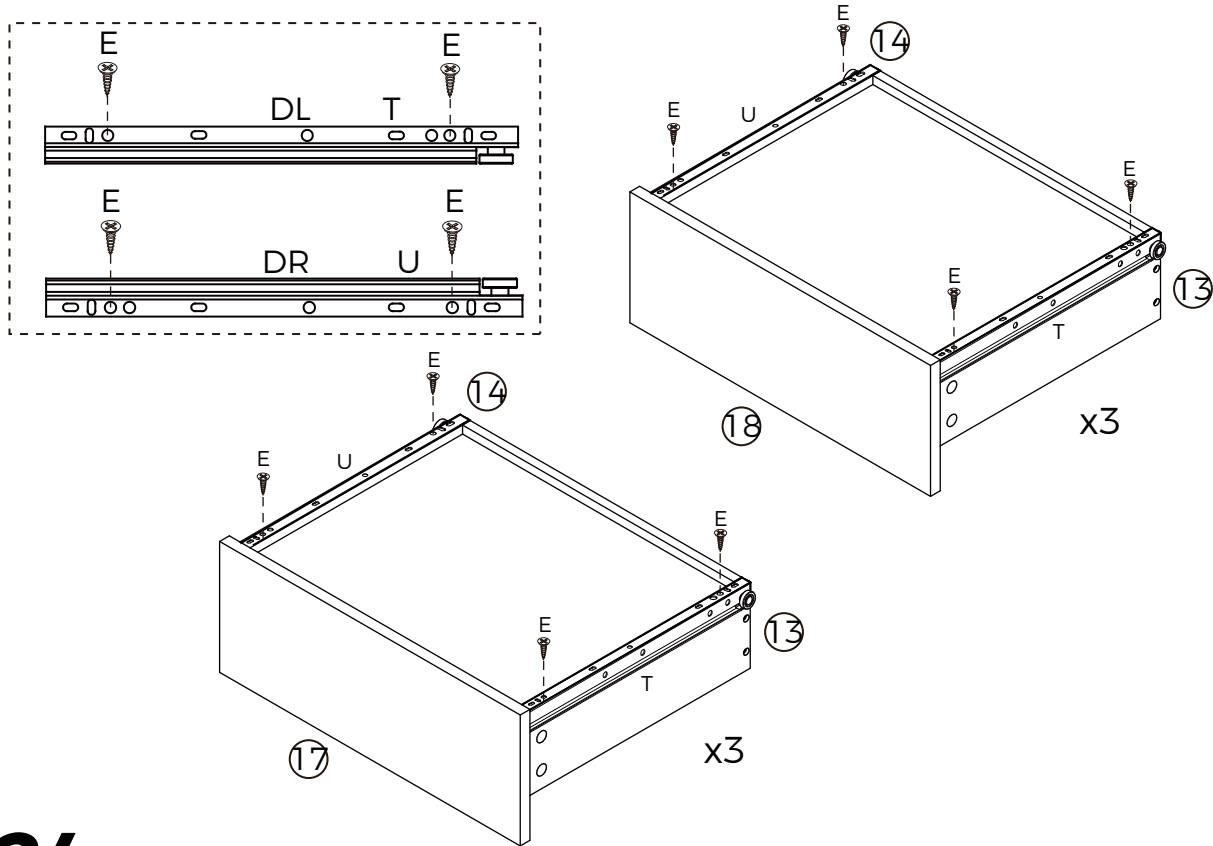
24 Screws



Phillips Head Screwdriver

# 23.

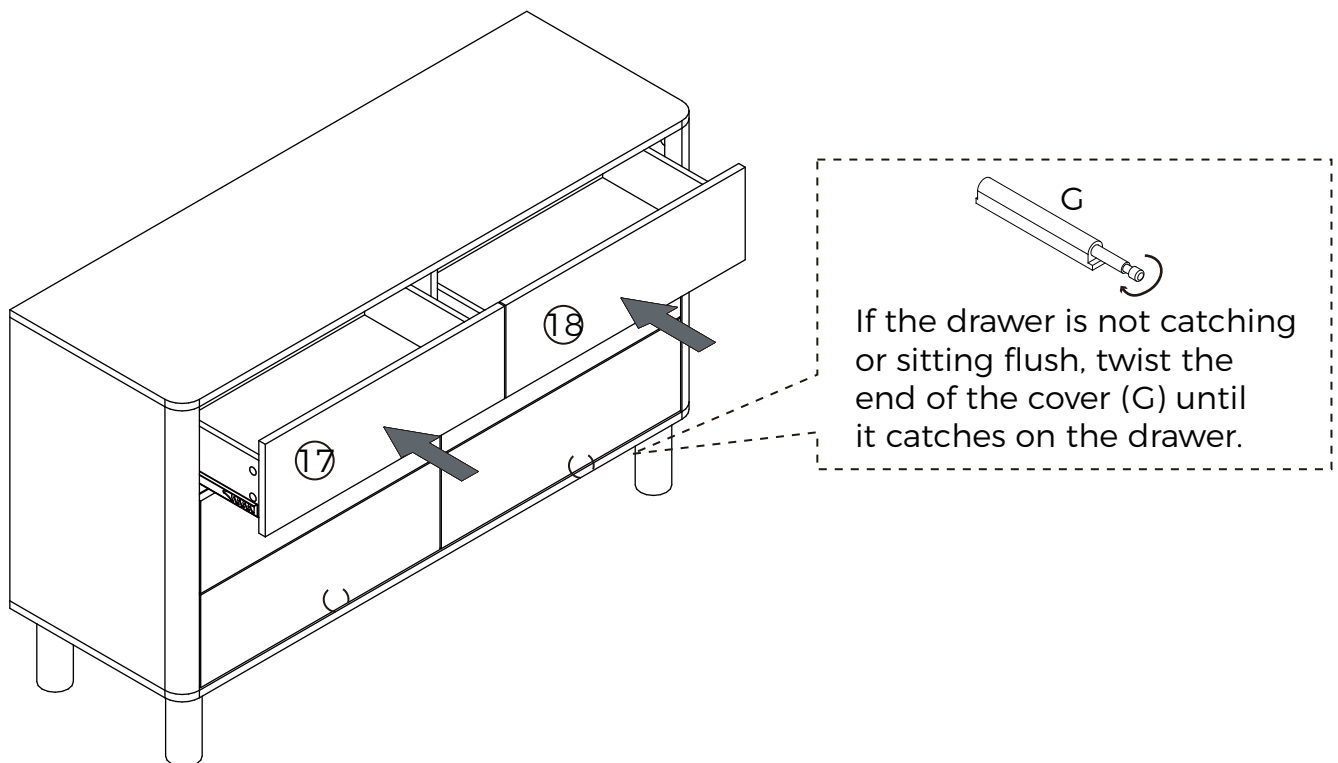
Attach 2 x DL Runners (T) to the bottom of Left Drawer Sides [13] and 2 x DR Runners (U) to the bottom of Right Drawer Sides [14] with 8 x Small Screws (E). Repeat this step for the remaining Drawers.



You will need	
	6 DL Runners
	6 DR Runners
	24 Small Screws
	Phillips Head Screwdriver

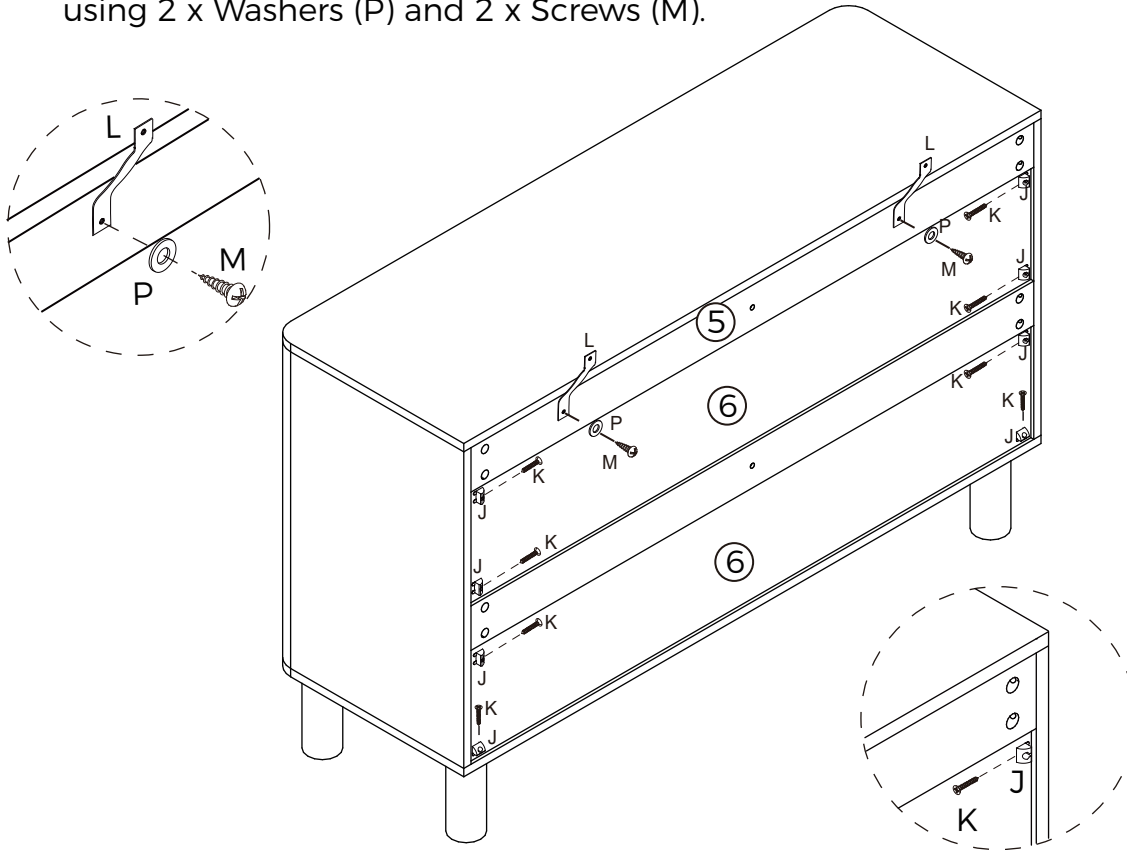
# 24.

Insert the assembled drawers into the corresponding compartments.

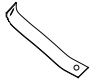


# 25.

Secure Back Panels [6] in place with 8 x Wedges (J) using 8 x Screws (K). Attach 2 x Safety Straps (L) to the Rail [5] of the back side of the unit using 2 x Washers (P) and 2 x Screws (M).



## You will need



2 Safety Straps



2 Screws



2 Washers



8 Wedges



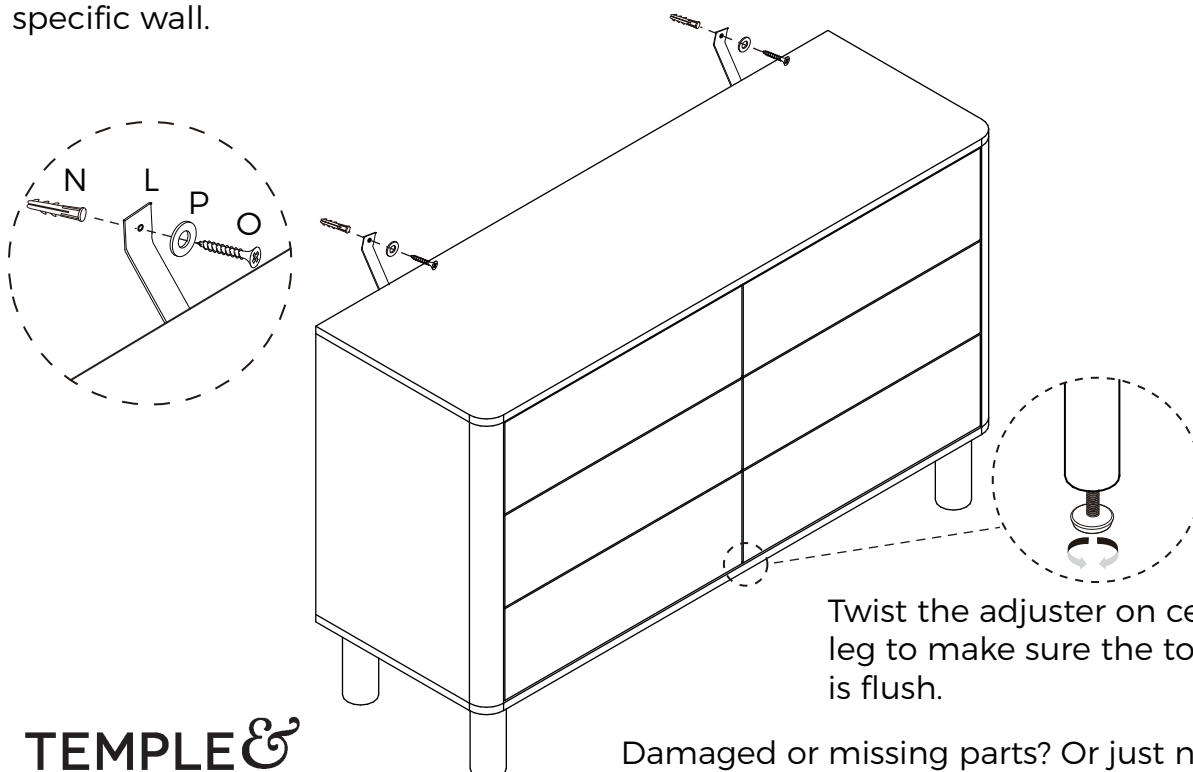
8 Wedges Screws



Phillips Head Screwdriver

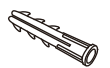
# 26.

Move the unit to the final position. Fasten the safety strap to your wall using appropriate fixings for your wall type. If you are unsure, please seek professional advice on how to attach this safety strap to your specific wall.



Twist the adjuster on centre leg to make sure the top panel is flush.

## You will need



2 Wall Plugs



2 Wall Screws



2 Washers



Phillips Head Screwdriver