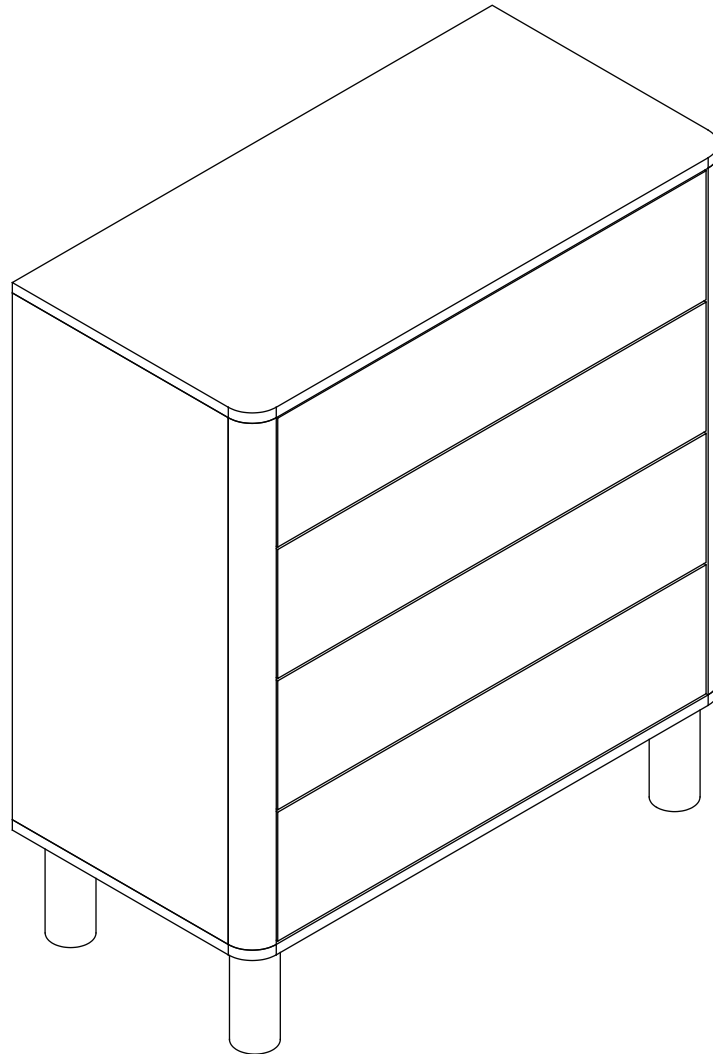


**TEMPLE &  
WEBSTER**

---

**ASSEMBLY  
INSTRUCTIONS**



---

**Rupert 4 Drawer Chest**

# Read first, enjoy forever

## Assembly tips

- Assemble your product on a level surface and lay something soft underneath to protect potential floor damage.
- Don't over tighten screws. During assembly we recommend tightening to approximately 70% tightness. Only tighten hardware 100% when fully assembled.
- Keep children away from assembly area as bags and small parts can pose a choking hazard.
- Make sure you have enough space to layout parts before starting. We recommend assembling your item in its final location.
- Do not stand on or put weight on the parts as it may warp or damage product.
- We do not recommend the use of drills or power tools (unless specified) as it may damage the product or hardware. Use hand held screwdrivers only.
- It is best that two people assemble the product as some products may be too heavy for one person. Check this booklet for guidance.

## Safety, care and maintenance

- To reduce the risk of injury, always secure storage furniture to walls and/or floors by using tip-over restraints.
- Never let children climb or hang on drawers, doors or shelves.
- To protect your product and your home, we recommend using coasters, placemats, rugs and other protective items.
- Screws may loosen over time. We recommend setting a reminder to tighten up every six months.
- Remove any liquid spills immediately using a clean cloth with mild detergent. Do not use bleach or abrasive cleaners. Always test any cleaning agent in an inconspicuous spot first to know if it is suitable.

## Recycling

We hope that you love your product forever, but we know situations change. In the event that you wish to dispose of your product please consider some creative ways to give it a new home:

- If it's still in great shape, sell it on your favourite online marketplace!
- Give it a second life by affording it a fresh coat of paint.
- If you must dispose of it, why not donate it to your local charity or shelter for someone else to enjoy.

Please dispose of this product and packaging responsibly and recycle where possible. Scan the QR code to read more about Temple and Webster's commitment to a more sustainable future.



# Important safety instructions

## **DANGER!**

Children have died from furniture tip over.

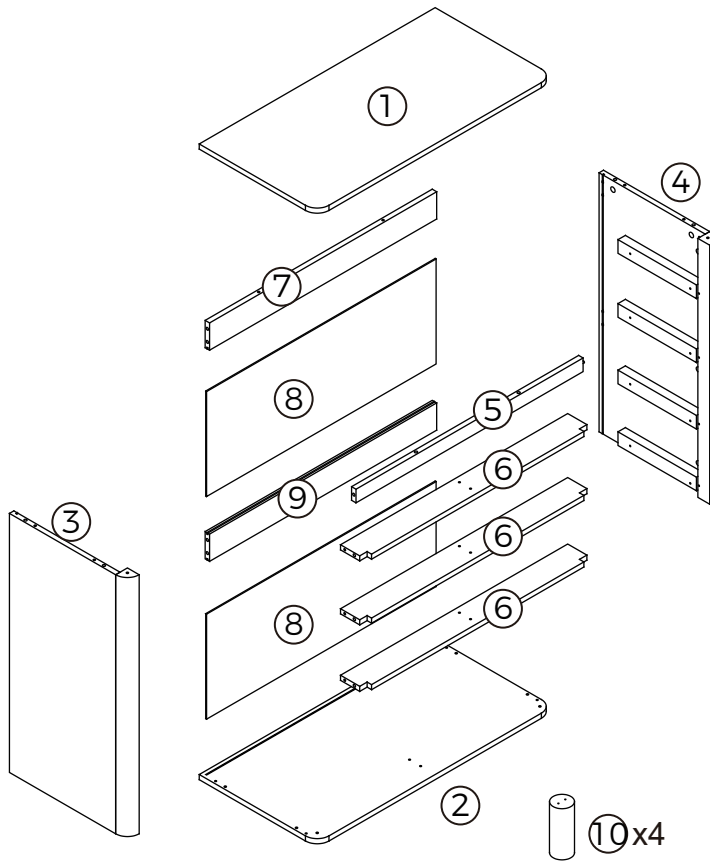
### **Toppling Hazard Warning**

- ALWAYS secure items with an anchor device
- For safety reasons, we recommend you follow the provided instructions
- When installed properly, the provided hardware may prevent the unit from tipping over unexpectedly.
- Never let children climb or hang on drawers, doors or shelves.
- NEVER open more than one drawer at a time
- Place heavy items down low
- For advice on suitable fastening devices, contact your local specialized dealer



# Parts List

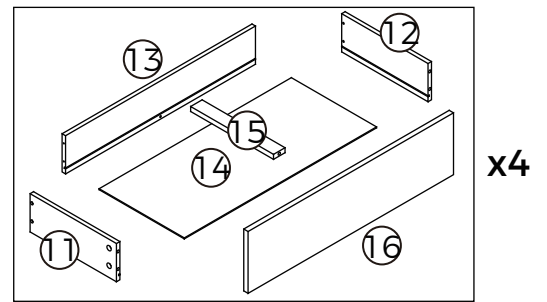
Rupert 4 Drawer Chest  
FJRUCHOK








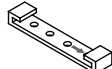





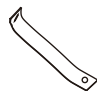










NUMBER OF PEOPLE REQUIRED FOR ASSEMBLY:

2

TOOLS REQUIRED FOR ASSEMBLY

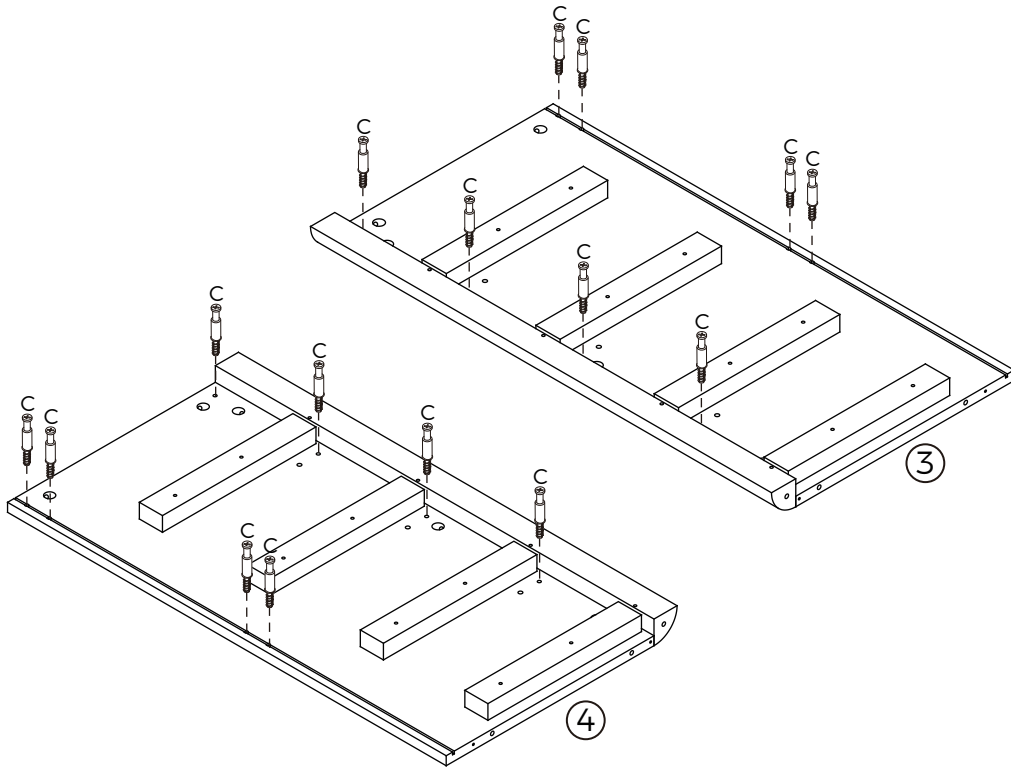


## Hardware

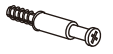
<b>A</b>  Dowels x20	<b>B</b>  Long Screws x12	<b>C</b>  Cam Bolts x42	<b>D</b>  Cam Nuts x42	<b>E</b>  Small Screws x48	<b>F</b>  Brackets x4	<b>G</b>  Covers x4	<b>H</b>  Screws x16
<b>I</b>  Bracket x4	<b>J</b>  Wedges x8	<b>K</b>  Wedge Screws x8	<b>L</b>  Safety Strap x1	<b>M</b>  Screw x1	<b>N</b>  Wall Plug x1	<b>O</b>  Wall Screw x1	<b>P</b>  Washers x2
<b>Q</b>  Felt Pads x4	<b>R</b>  CL Runner Tracks x4	<b>S</b>  CR Runner Tracks x4	<b>T</b>  DL Runners x4	<b>U</b>  DR Runners x4	<b>V</b>  Screws x20		

# 1.

Attach 16 x Cam Bolts (C) to Left & Right Side Panels [3 & 4].



## You will need



16 Cam Bolts

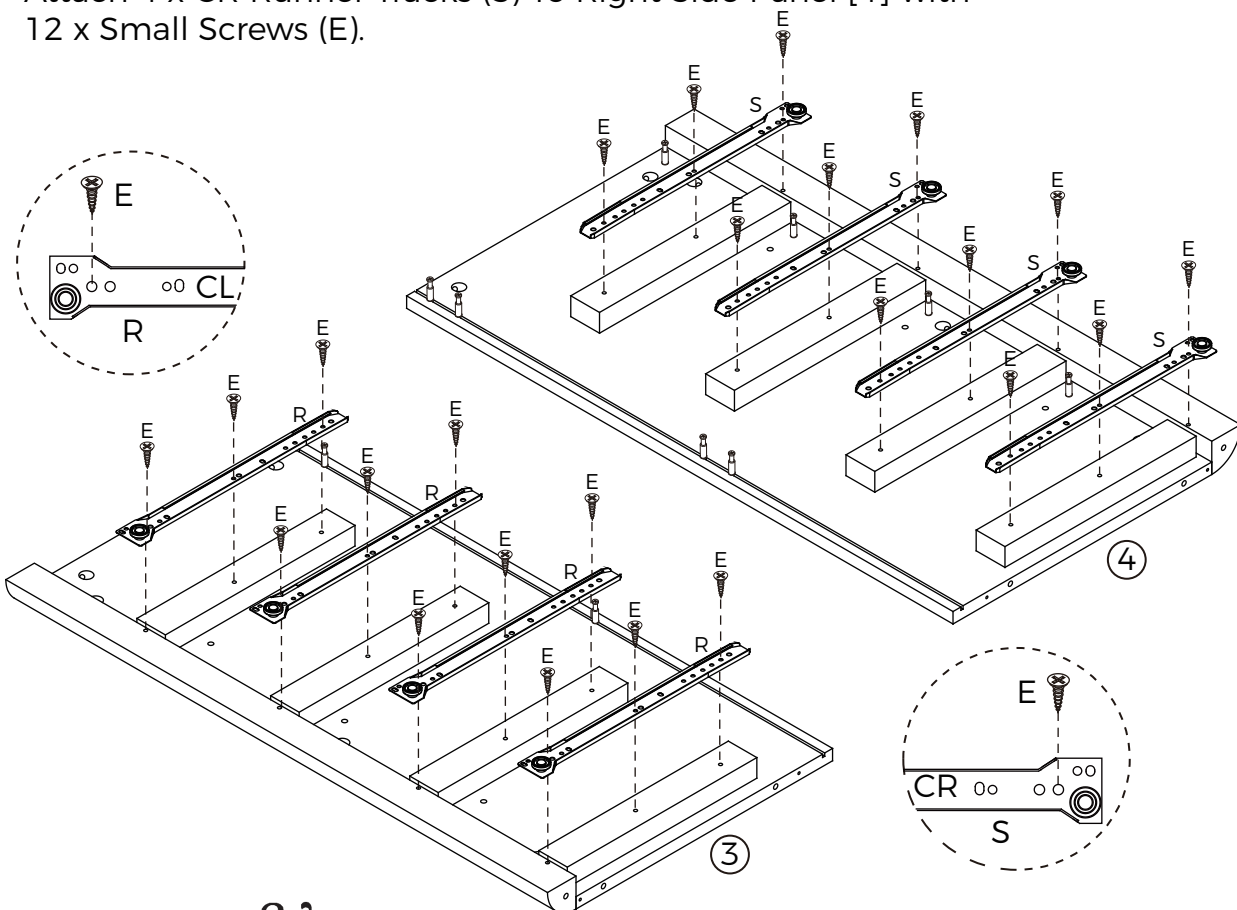


Phillips Head Screwdriver

# 2.

Attach 4 x CL Runner Tracks (R) To Left Side Panel [3] with 12 x Small Screws (E).

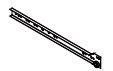
Attach 4 x CR Runner Tracks (S) To Right Side Panel [4] with 12 x Small Screws (E).



## You will need



4 CL Runner Tracks



4 CR Runner Tracks



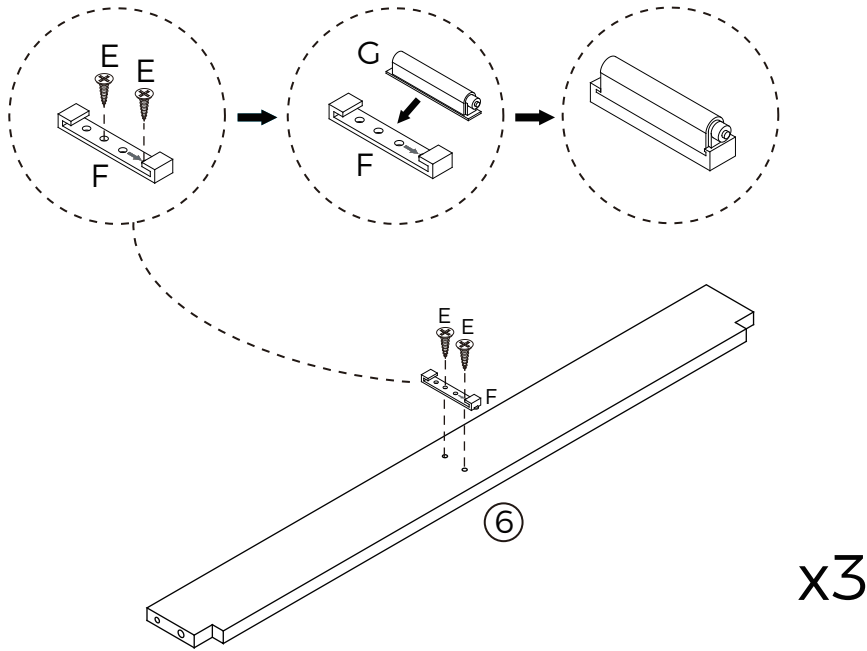
24 Small Screws



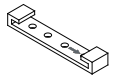
Phillips Head Screwdriver

### 3.

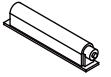
Attach 3 x Brackets (F) to Panels [6] and secure with 6 x Screws (E). Place 3 x Covers (G) over the Brackets (F).



#### You will need



3 Brackets



3 Covers



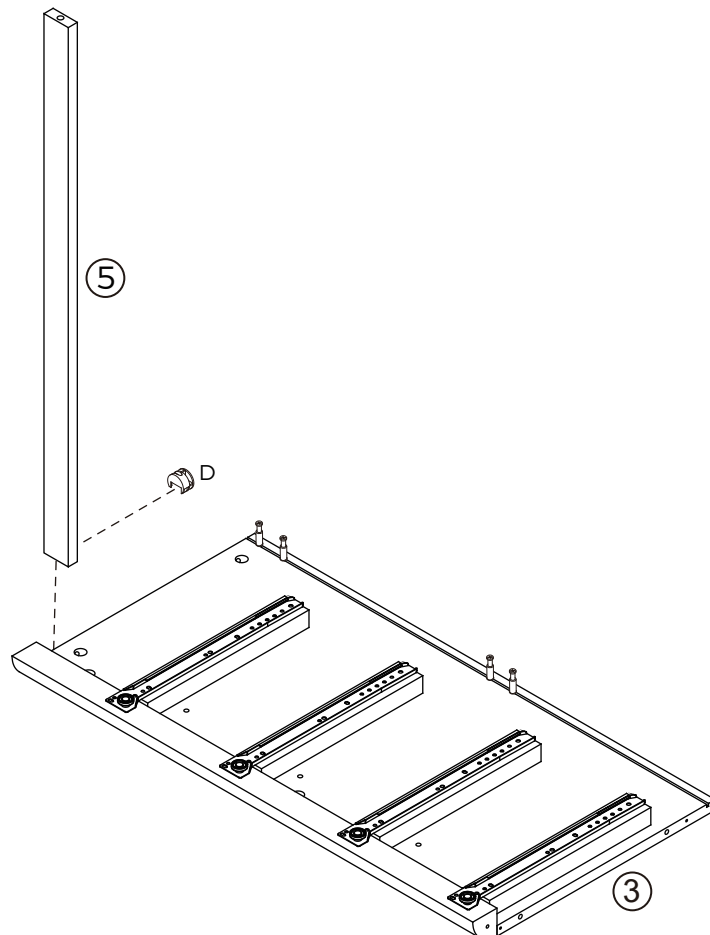
6 Small Screws



Phillips Head Screwdriver

### 4.

Insert 1 x Cam Nut (D) into Panel [5]. Rotate the cam nut so the arrow point towards the incoming cam bolt. Push Panel [5] into place and tighten the cam nut with a Phillips Head Screwdriver.



#### You will need



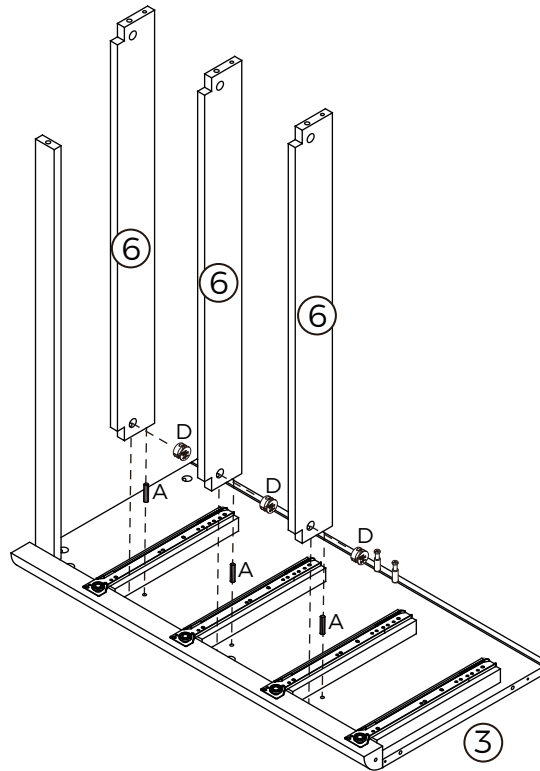
1 Cam Nut



Phillips Head Screwdriver

# 5.

Insert 3 x Dowels (A) into Left Side Panel [3]. Insert 3 x Cam Nuts (D) into Panels [6]. Rotate the cam nuts so the arrows point towards the incoming cam bolts. Push Panels [6] into place and tighten the cam nuts with a Phillips Head Screwdriver.



## You will need



3 Dowels



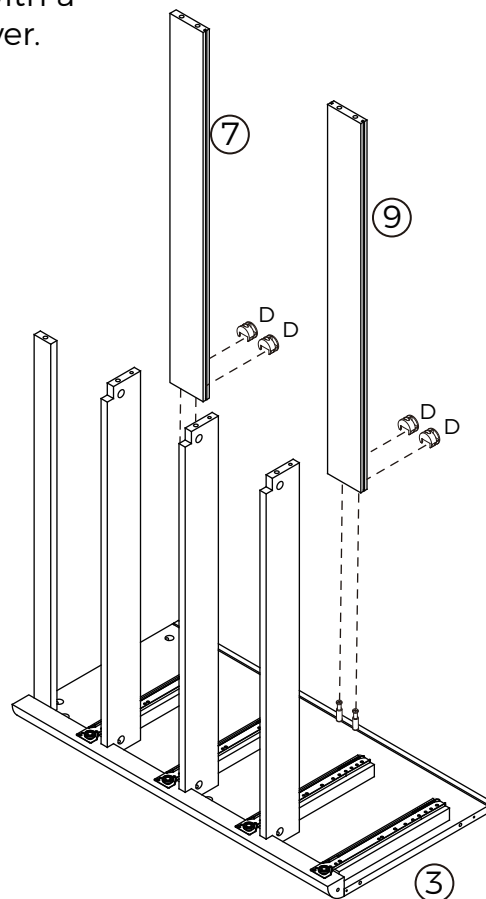
3 Cam Nuts



Phillips Head Screwdriver

# 6.

Insert 4 x Cam Nuts (D) into Rails [7 & 9]. Rotate the cam nuts so the arrows point towards the incoming cam bolts. Push Rails [7 & 9] into place and tighten the cam nuts with a Phillips Head Screwdriver.



## You will need



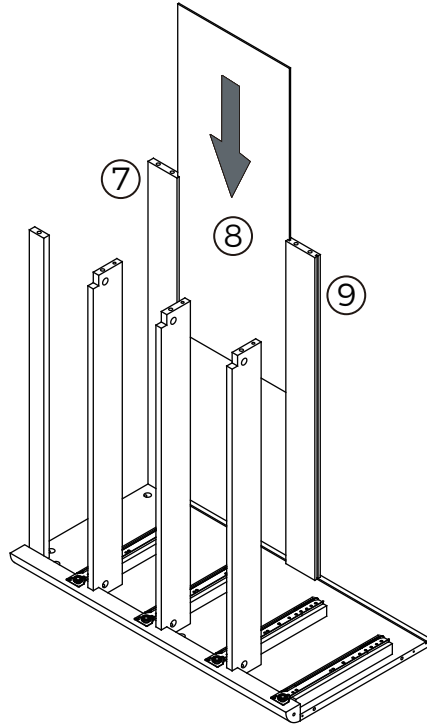
4 Cam Nuts



Phillips Head Screwdriver

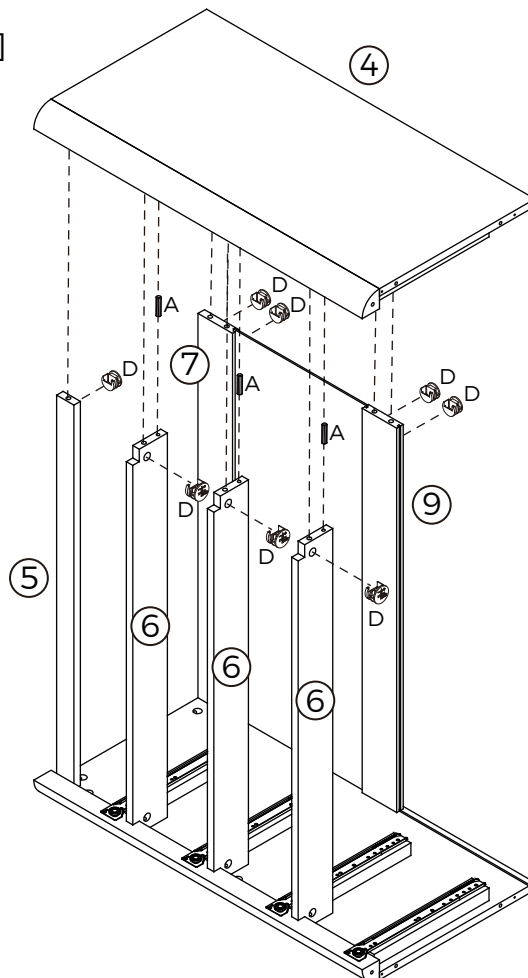
# 7.

Insert Back Panel [8] into the grooves of Rails [7 & 9].



# 8.

Insert 3 x Dowels (A) to Rails [6]. Insert 8 x Cam Nuts (D) into Rails [5 & 6 & 7 & 9]. Rotate the cam nuts so the arrows point towards the incoming cam bolts. Attach Right Side Panel [4] to unit by tightening cam nuts with a Phillips Head Screwdriver.



## You will need



3 Dowels



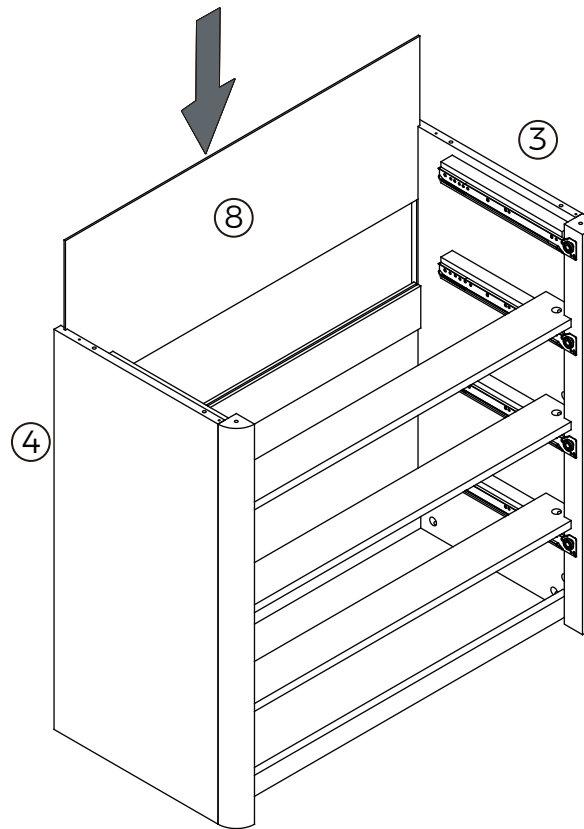
8 Cam Nuts



Phillips Head Screwdriver

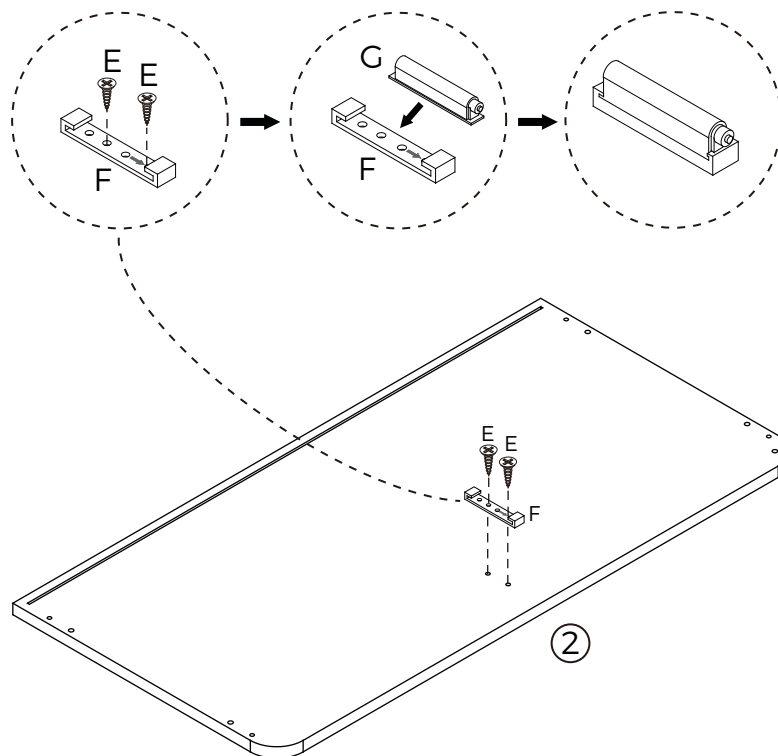
# 9.

Insert Back Panel [8] into the grooves of Side Panels [3 & 4].

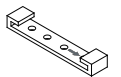


# 10.

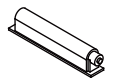
Attach 1 x Bracket (F) to Bottom Panel [2] and secure with 2 x Screws (E). Place 1 x Cover (G) over the Bracket (F).



## You will need



1 Bracket



1 Cover



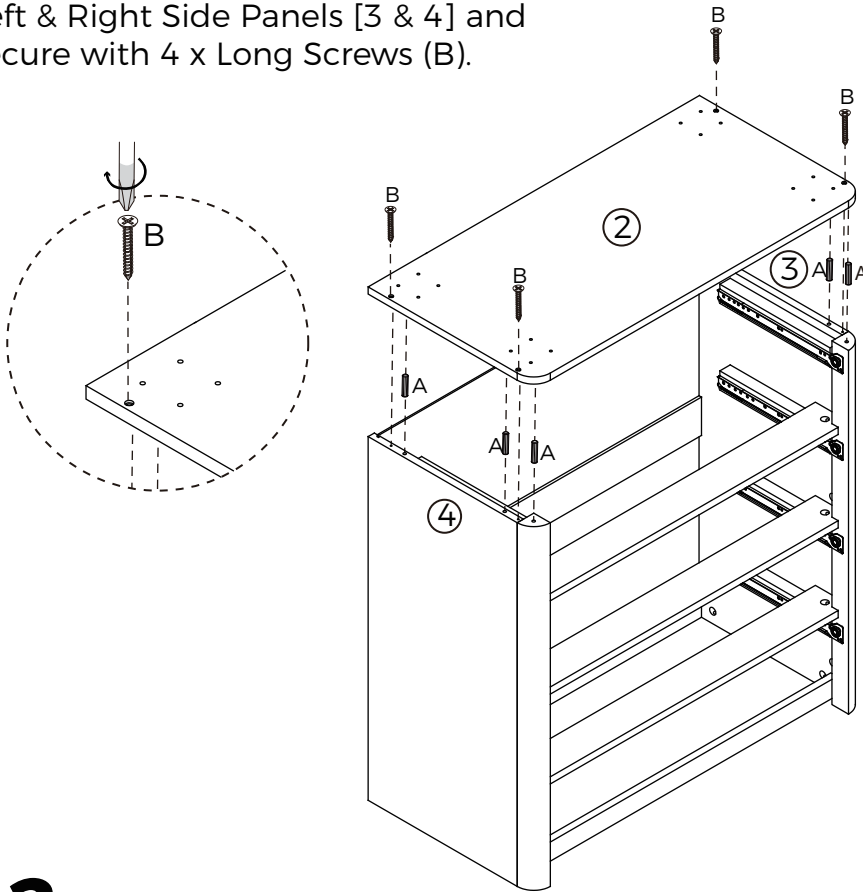
2 Small Screws



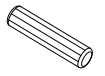
Phillips Head Screwdriver

# 11.

Insert 6 x Dowels (A) to Left & Right Side Panels [3 & 4]. Attach Panel [2] to Left & Right Side Panels [3 & 4] and secure with 4 x Long Screws (B).



### You will need



6 Dowels



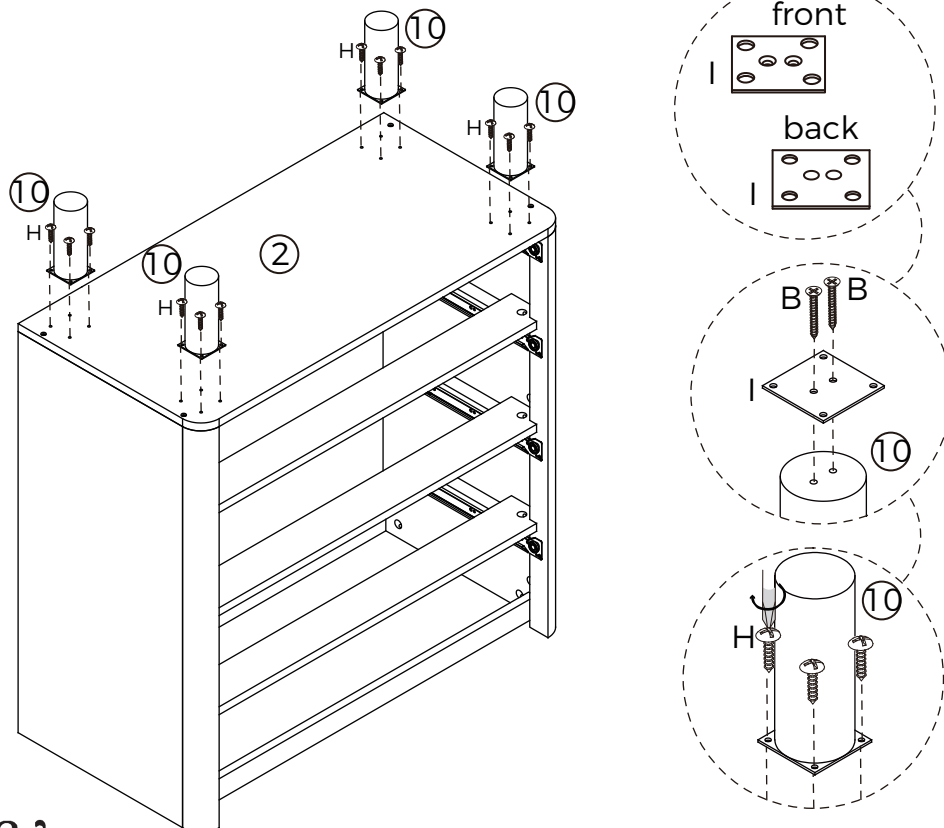
4 Long Screws



Phillips Head Screwdriver

# 12.

Attach 4 x Brackets (I) to Legs [10] with 8 x Long Screws (B). Attach Legs [10] to Bottom Panel [2] with 16 x Screws (H).



### You will need



8 Long Screws



16 Screws



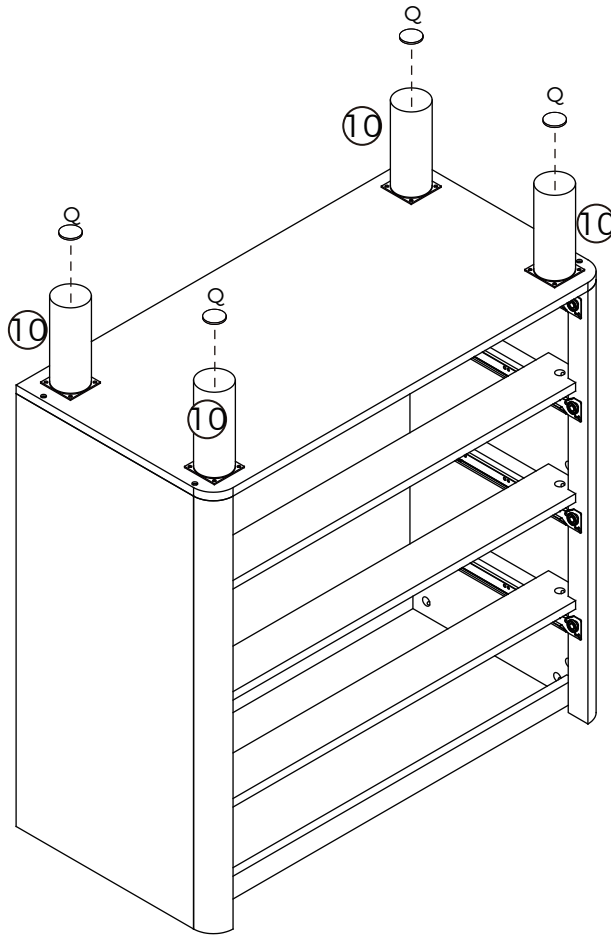
4 Brackets



Phillips Head Screwdriver

# 13.

Attach 4 x Felt Pads (Q) to end of Legs [10].



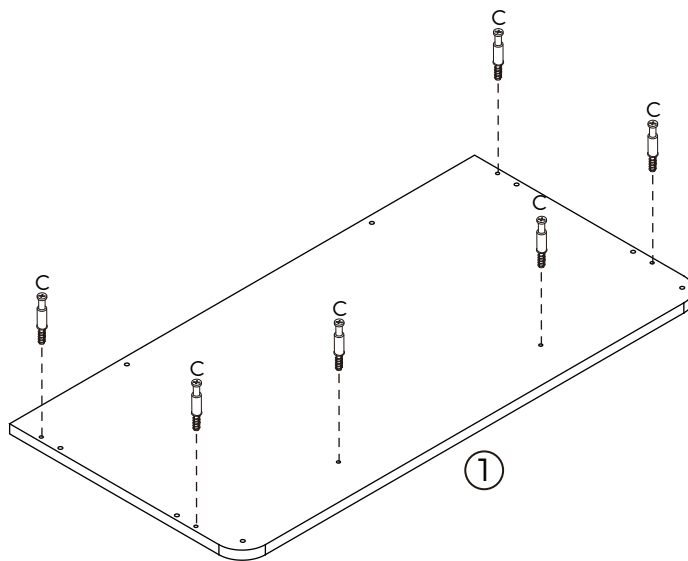
**You will need**



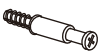
4 Felt Pads

# 14.

Attach 6 x Cam Bolts (C) to Panel [1].



**You will need**



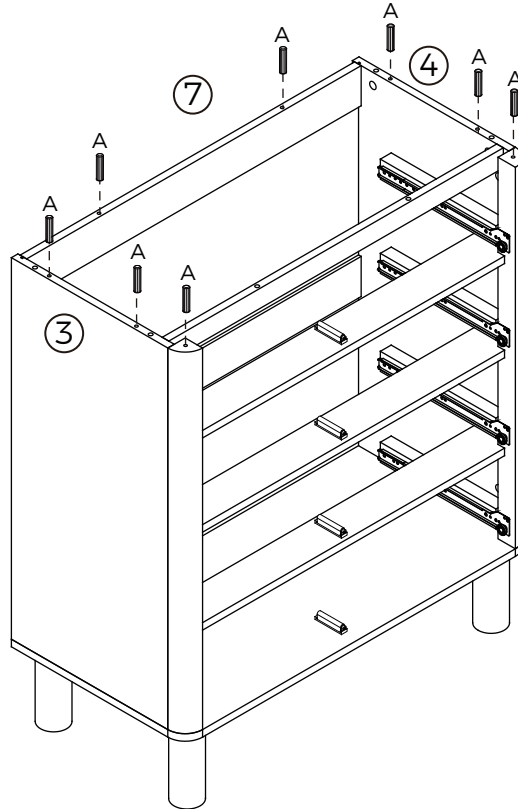
6 Cam Bolts



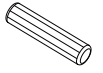
Phillips Head  
Screwdriver

# 15.

Insert 8 x Dowels (A) into Left & Right Side Panels [3 & 4] and Rail [7].



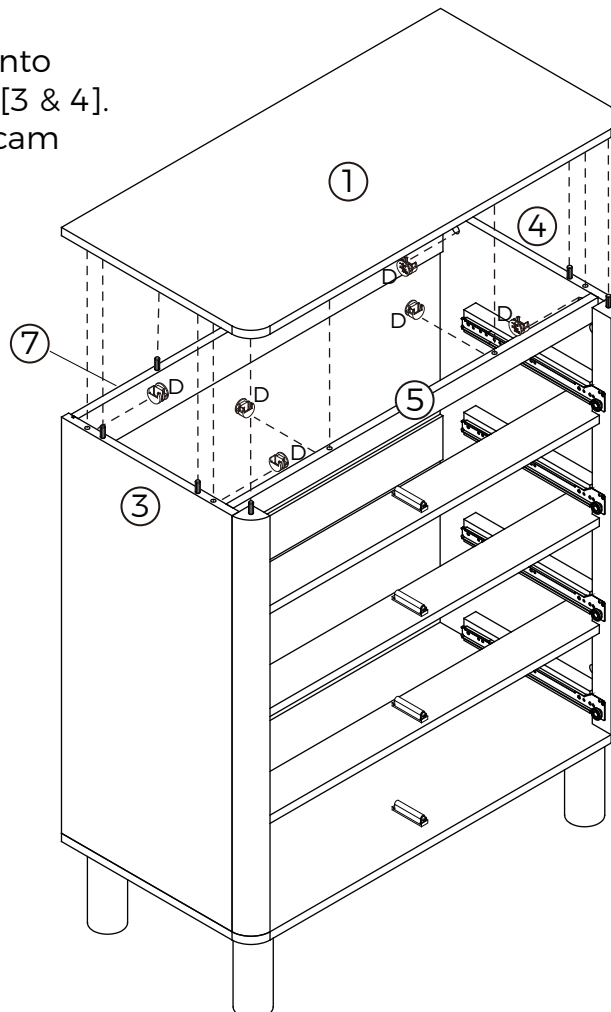
**You will need**



8 Dowels

# 16.

Insert 6 x Cam Nuts (D) into Left & Right Side Panels [3 & 4] and Rail [5]. Rotate the cam nuts so the arrows point towards the incoming cam bolts. Attach Top Panel [1] to unit by tightening cam nuts with the Phillips Head Screwdriver.



**You will need**



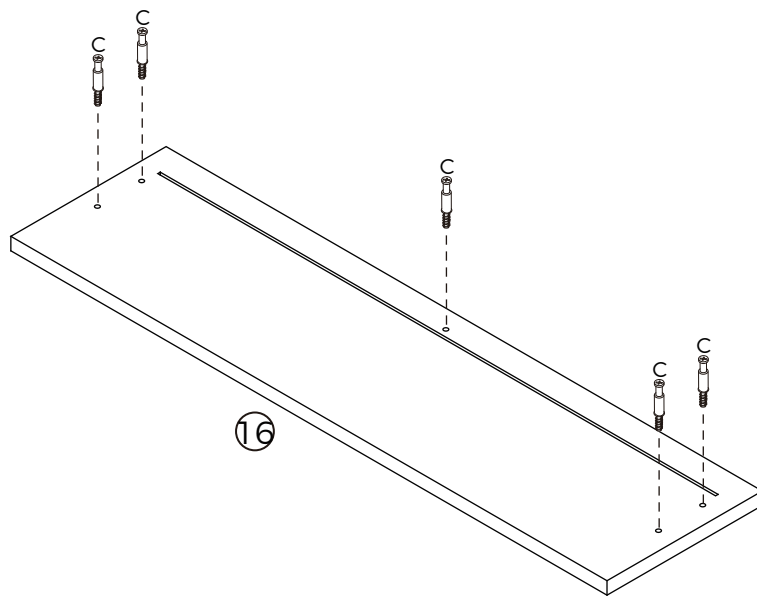
6 Cam Nuts



Phillips Head Screwdriver

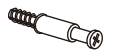
# 17.

Attach 5 x Cam Bolts (C) to Drawer Front [16].  
Repeat this step for the remaining Drawers.



x4

## You will need



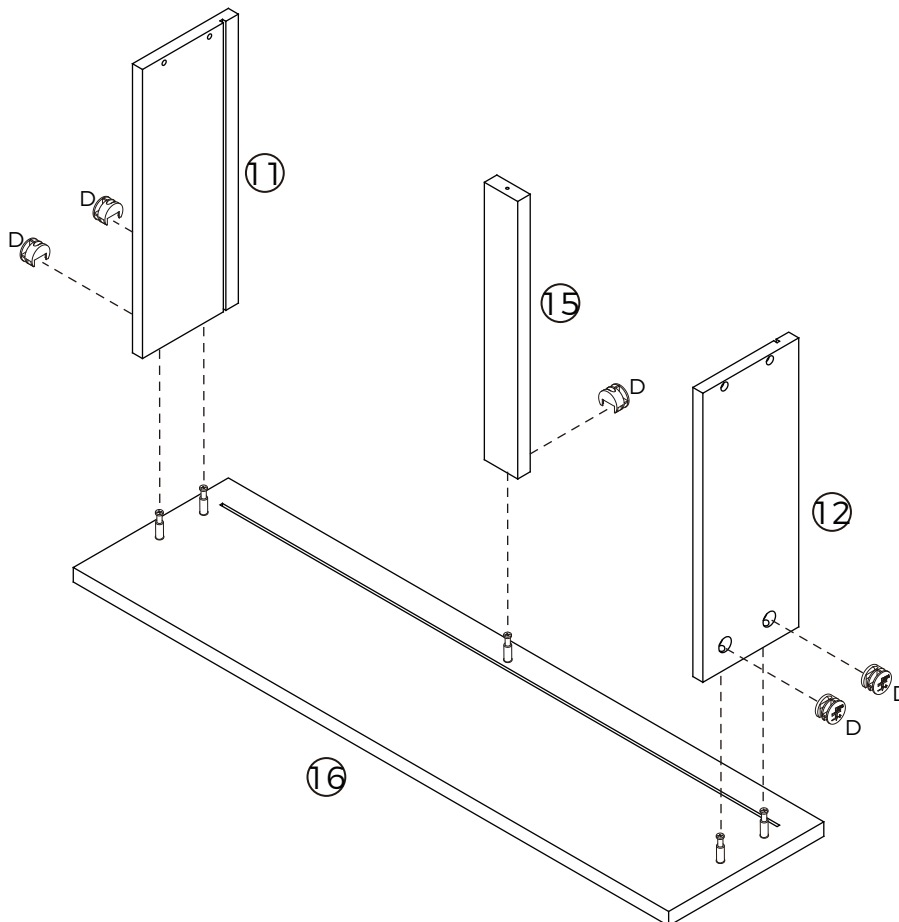
20 Cam Bolts



Phillips Head  
Screwdriver

# 18.

Insert 5 x Cam Nuts (D) into Left & Right Drawer Sides [11 & 12] and Rail [15].  
Rotate the cam nuts so the arrows point towards the incoming cam bolts.  
Attach Left & Right Drawer Sides [11 & 12] and Rail [15] to Drawer Front [16]  
by tightening cam nuts with the Phillips Head Screwdriver.  
Repeat this step for the remaining Drawers.



x4

## You will need



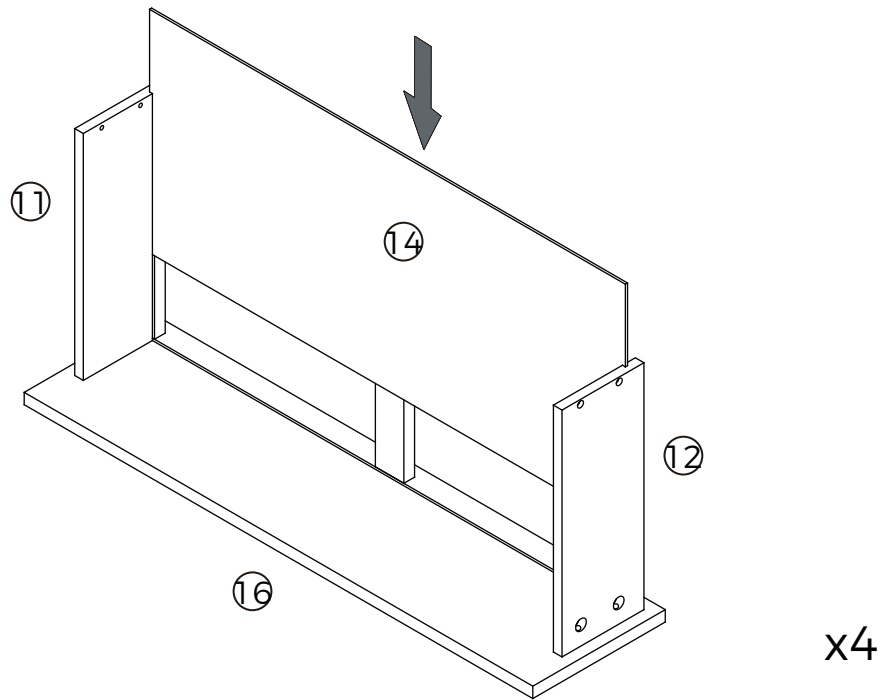
20 Cam Nuts



Phillips Head  
Screwdriver

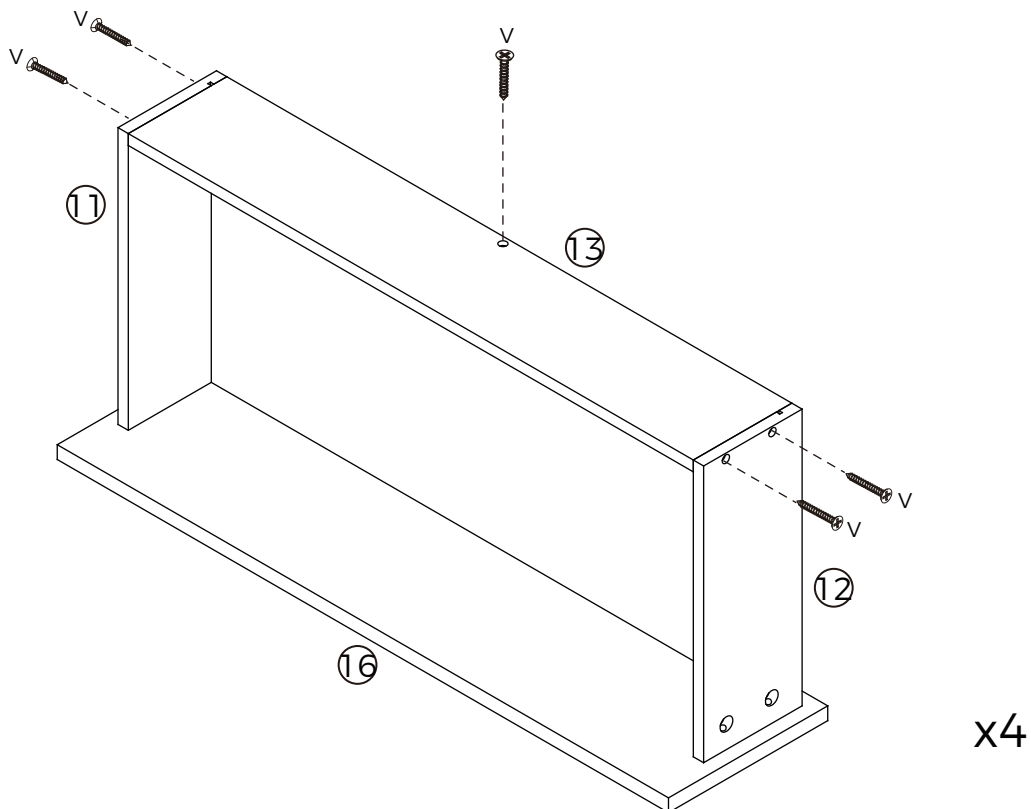
# 19.

Slide Drawer Base [14] into the grooves of Left & Right Drawer Sides (11 & 12). Repeat this step for the remaining Drawers.

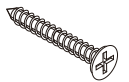


# 20.

Attach Drawer Back [13] to Left & Right Drawer Sides [11 & 12] and Rail [15] with 5 x Long Screws (V) by tightening with the Phillips Head Screwdriver. Repeat this step for the remaining Drawers.



## You will need



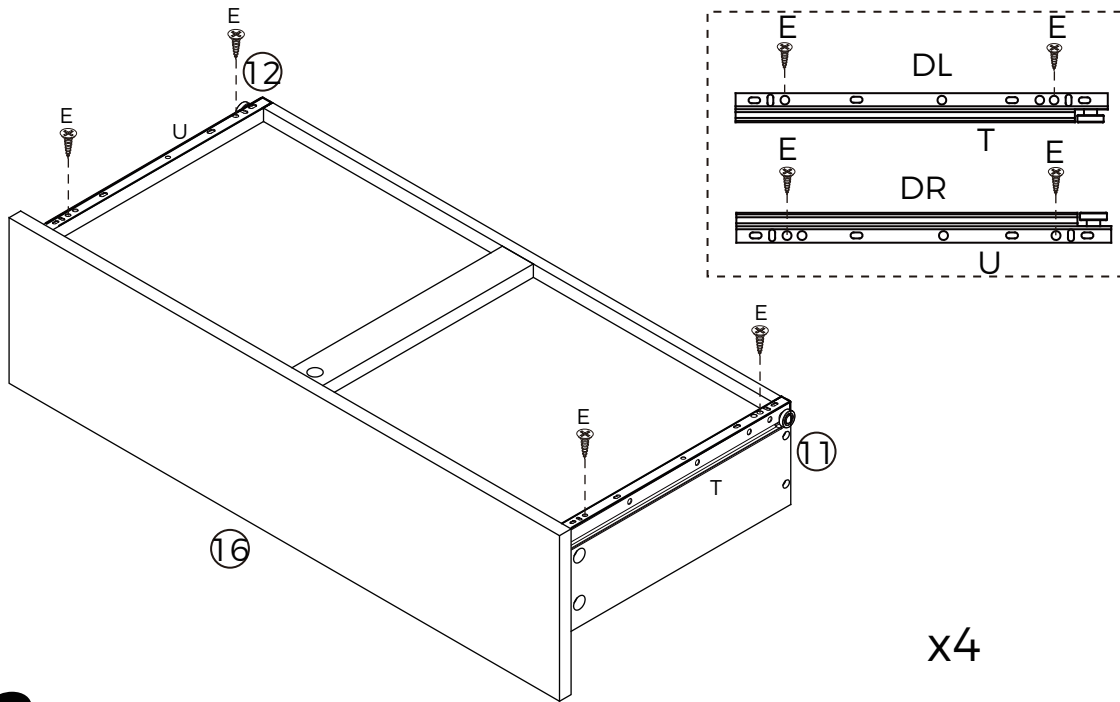
20 Screws



Phillips Head  
Screwdriver

# 21.

Attach 1 x DL Runner (T) to the bottom of Left Drawer Side [11] and 1 x DR Runner (U) to the bottom of Right Drawer Side [12] with 4 x Small Screws (E) by tightening with the Phillips Head Screwdriver. Repeat this step for the remaining Drawers.



## You will need



4 DL Runners



4 DR Runners



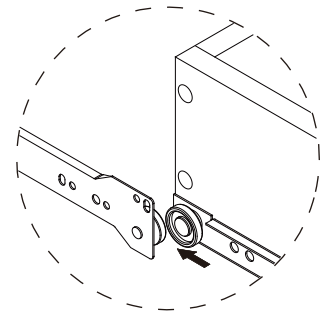
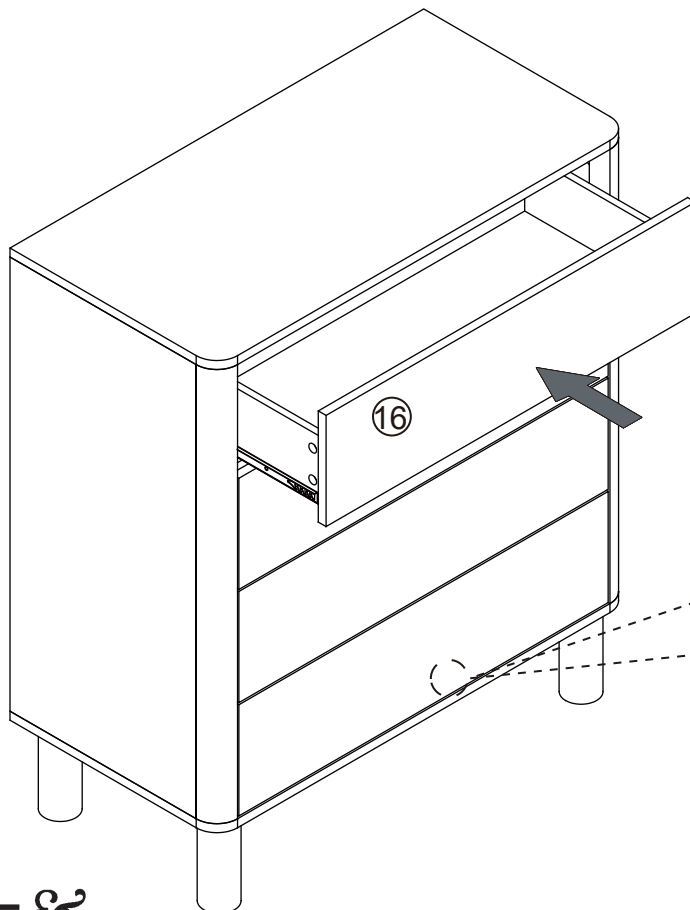
16 Small Screws



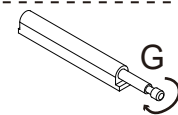
Phillips Head Screwdriver

# 22.

Insert the assembled drawers into the corresponding compartments.



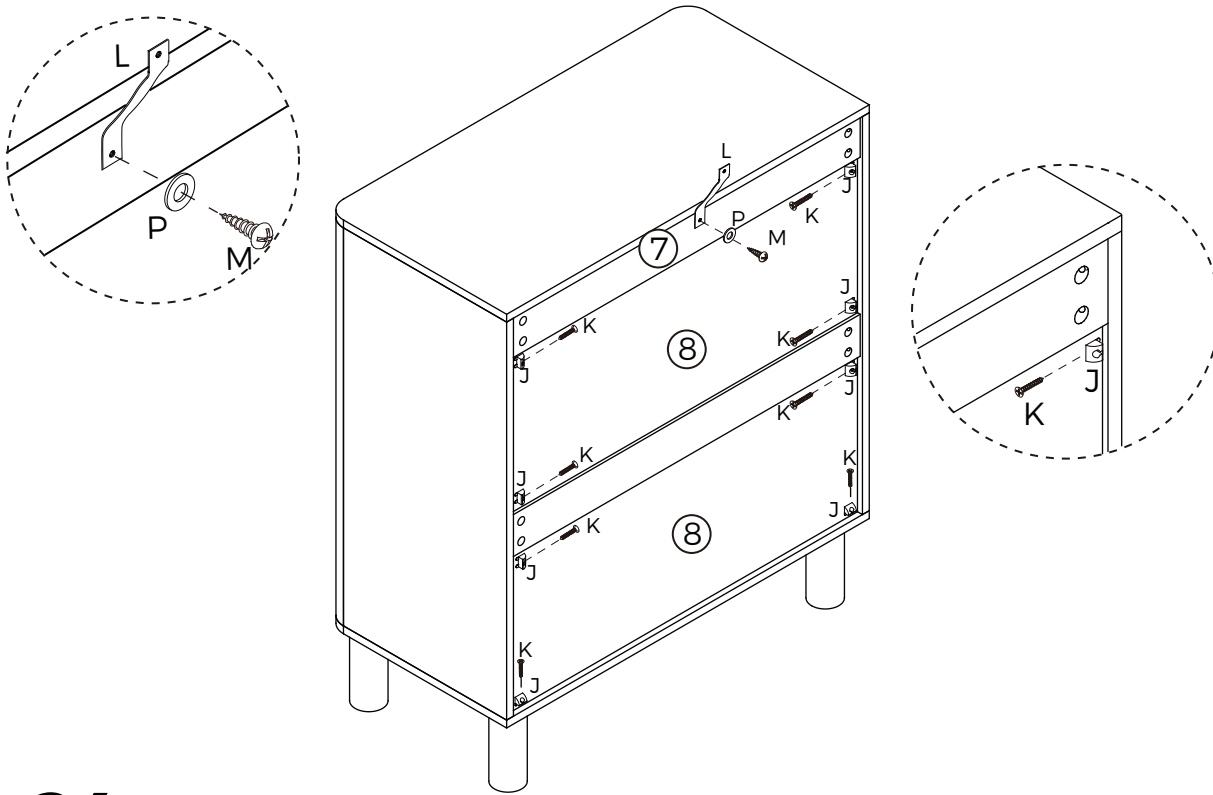
Carefully insert the drawers into the unit by gently guiding the runners into the tracks.



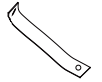
If the drawer is not catching or sitting flush, twist the end of the cover (G) until it catches on the drawer.

# 23.

Secure Back Panels [8] in place with 8 x Wedges (J) using 8 x Screws (K). Attach 1 x Safety Strap (L) to the Rail [7] of the back side of the unit using 1 x Washer (P) and 1x Screw (M).



## You will need



1 Safety Strap



1 Screw



1 Washer



8 Wedges



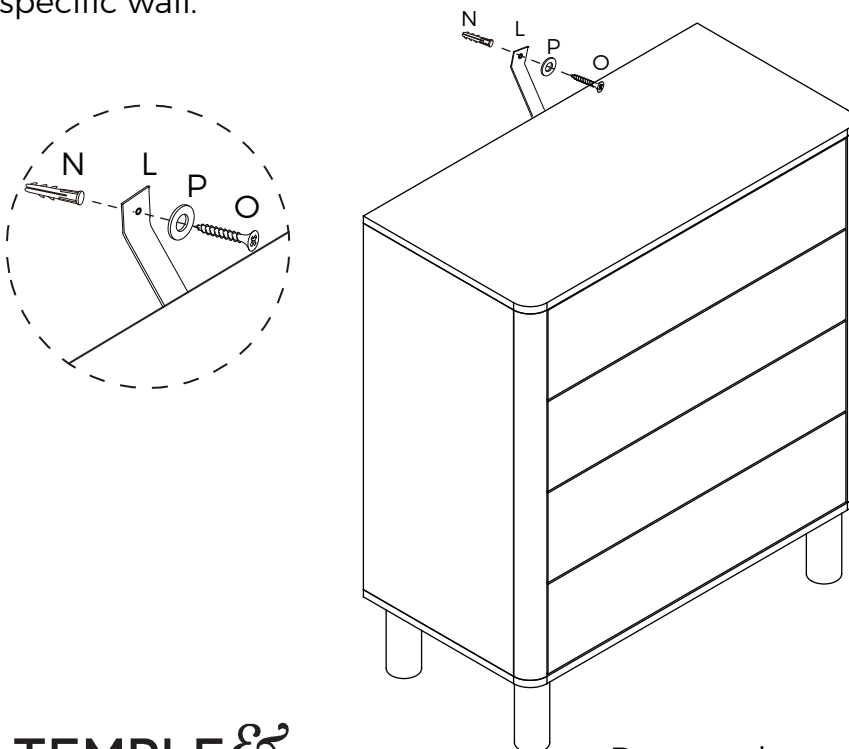
8 Wedges Screws



Phillips Head Screwdriver

# 24.

Move the unit to the final position. Fasten the safety strap to your wall using appropriate fixings for your wall type. If you are unsure, please seek professional advice on how to attach this safety strap to your specific wall.



## You will need



1 Wall Plug



1 Wall Screw



1 Washer



Phillips Head Screwdriver