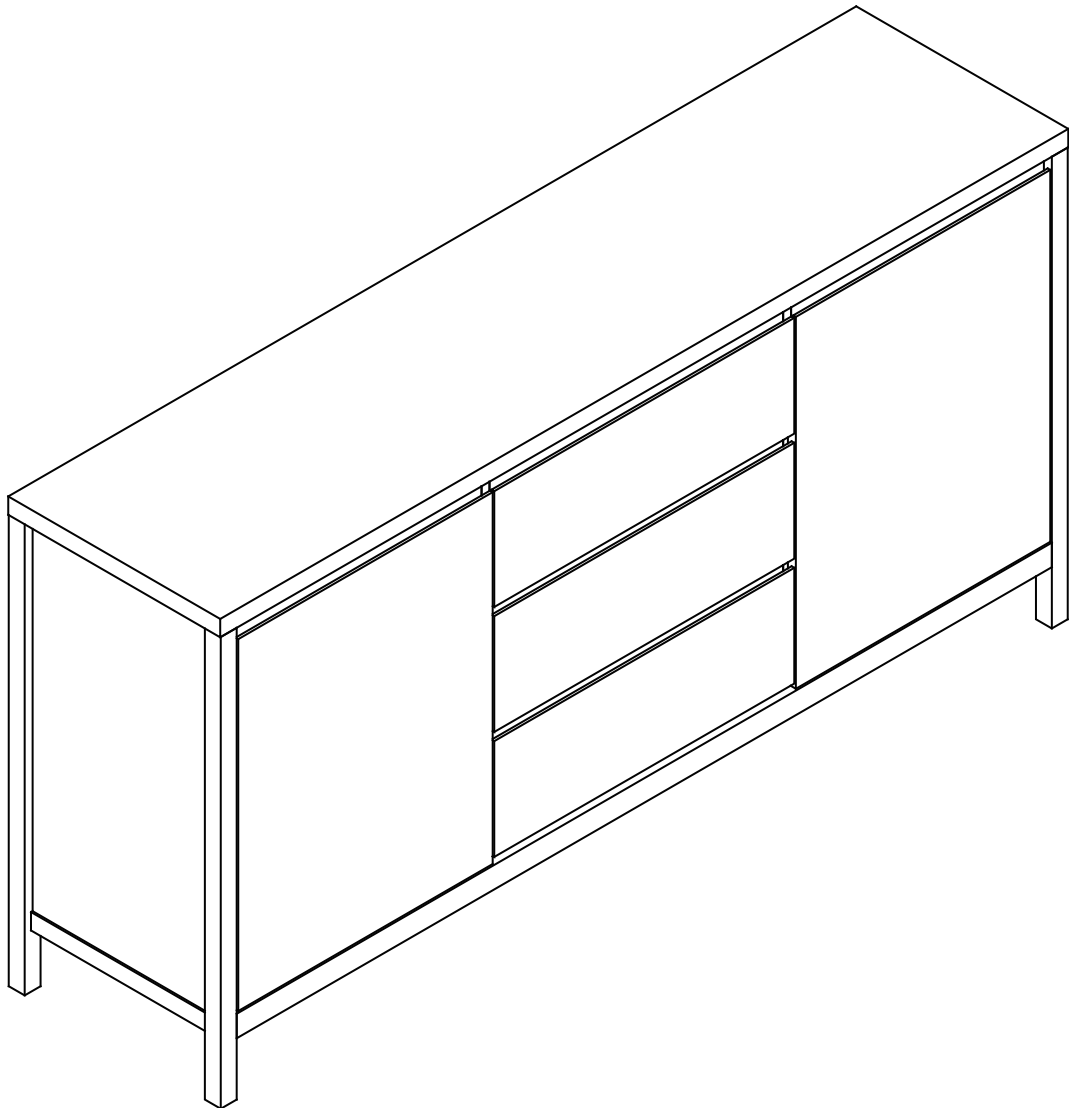


TEMPLE &
WEBSTER

ASSEMBLY
INSTRUCTIONS



**Kingscliff White Sideboard
Buffet**

Read first, enjoy forever

Assembly tips

- Assemble your product on a level surface and lay something soft underneath to protect potential floor damage.
- Don't over tighten screws. During assembly we recommend tightening to approximately 70% tightness. Only tighten hardware 100% when fully assembled.
- Keep children away from assembly area as bags and small parts can pose a choking hazard.
- Make sure you have enough space to layout parts before starting. We recommend assembling your item in its final location.
- Do not stand on or put weight on the parts as it may warp or damage product.
- We do not recommend the use of drills or power tools (unless specified) as it may damage the product or hardware. Use hand held screwdrivers only.
- It is best that two people assemble the product as some products may be too heavy for one person. Check this booklet for guidance.

Safety, care and maintenance

- To reduce the risk of injury, always secure storage furniture to walls and/or floors by using tip-over restraints.
- Never let children climb or hang on drawers, doors or shelves.
- To protect your product and your home, we recommend using coasters, placemats, rugs and other protective items.
- Screws may loosen over time. We recommend setting a reminder to tighten up every six months.
- Remove any liquid spills immediately using a clean cloth with mild detergent. Do not use bleach or abrasive cleaners. Always test any cleaning agent in an inconspicuous spot first to know if it is suitable.

Recycling

We hope that you love your product forever, but we know situations change. In the event that you wish to dispose of your product please consider some creative ways to give it a new home:

- If it's still in great shape, sell it on your favourite online marketplace!
- Give it a second life by affording it a fresh coat of paint.
- If you must dispose of it, why not donate it to your local charity or shelter for someone else to enjoy.

Please dispose of this product and packaging responsibly and recycle where possible. Scan the QR code to read more about Temple and Webster's commitment to a more sustainable future.



Important safety instructions

DANGER!

Children have died from furniture tip over.

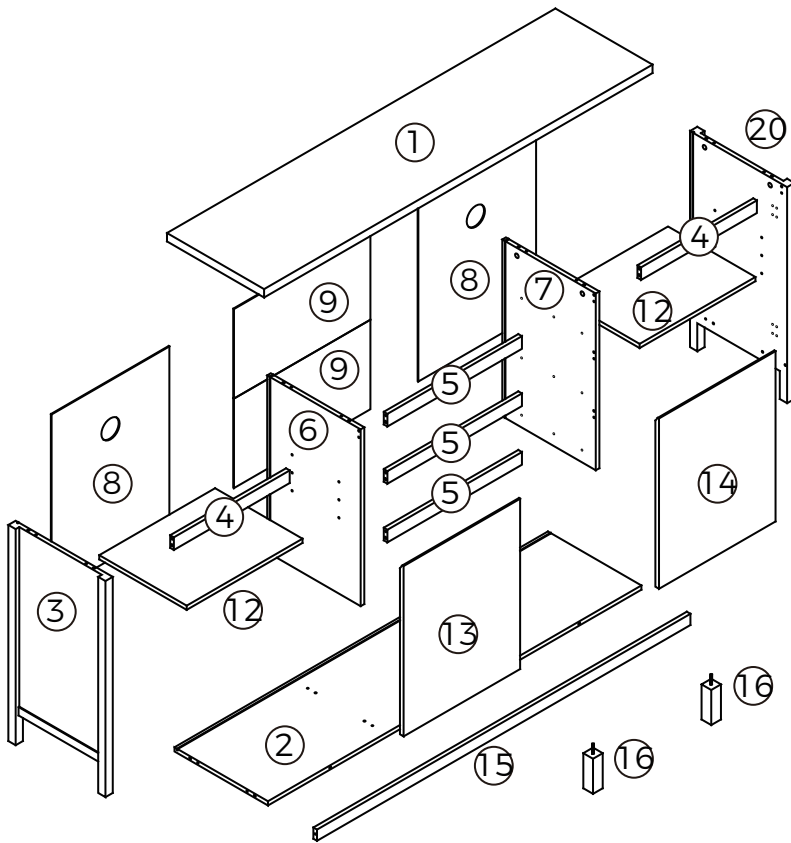
Toppling Hazard Warning

- ALWAYS secure this furniture with an anchor device
- For safety reasons, we recommend you follow the provided instructions
- When installed properly, the provided hardware may prevent the unit from tipping over unexpectedly.
- Never let children climb or hang on drawers, doors or shelves.
- NEVER open more than one drawer at a time
- Place heavy items down low
- NEVER place a television on this furniture
- For advice on suitable fastening devices, contact your local specialized dealer



Parts List

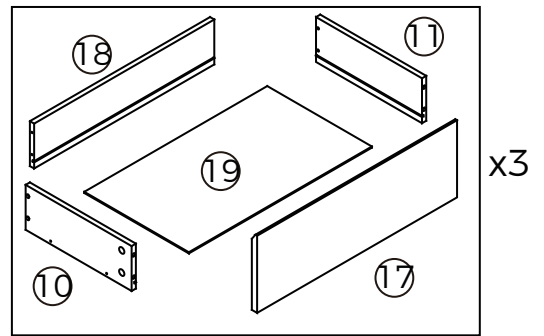
Kingscliff White Sideboard Buffet
FJKCSBWW / FJKCSBWH



NUMBER OF PEOPLE REQUIRED FOR ASSEMBLY:

2

TOOLS REQUIRED FOR ASSEMBLY























Box 1 of 2:

1, 2, 3, 20, 16, 15 Hardware

Box 2 of 2:

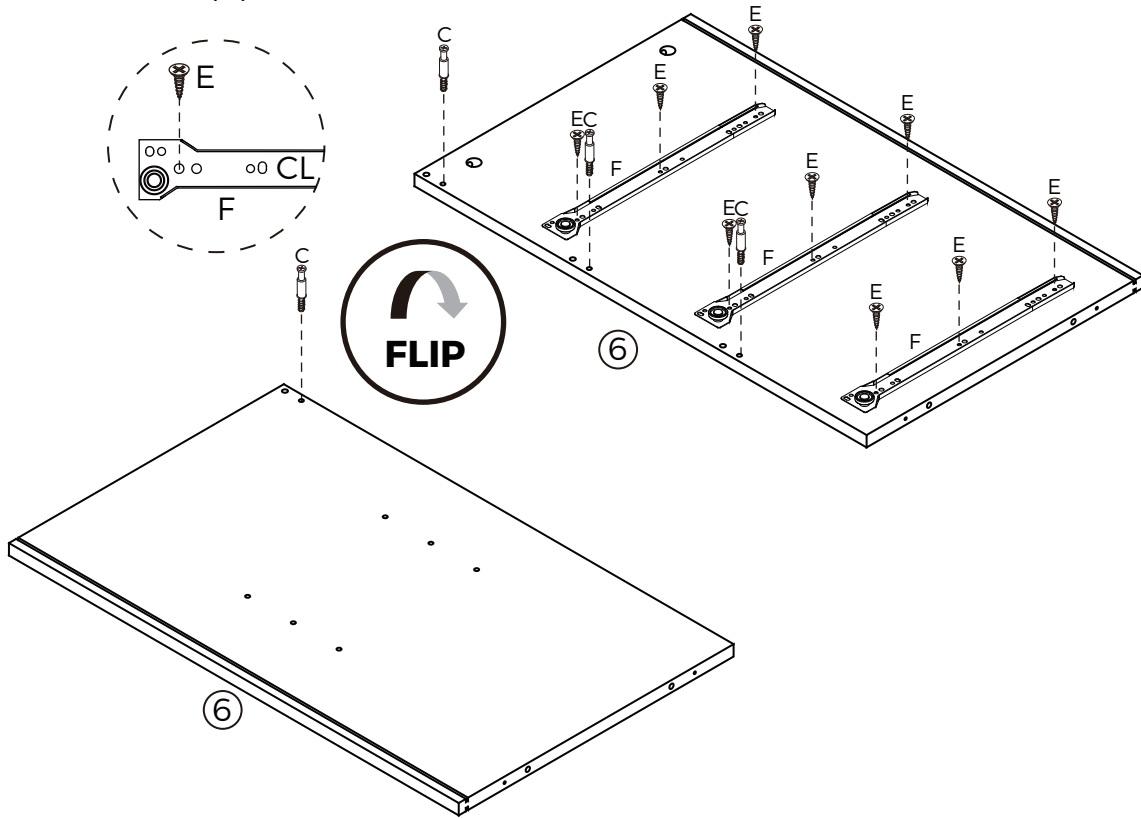
13, 14, 6, 7, 17, 18, 10, 11, 4, 19, 12, 5, 8, 9

Hardware

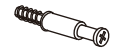
A  Dowels x24	B  Long Screws x16	C  Cam Bolts x37	D  Cam Nuts x37	E  Small Screws x30	F  CL Runner Tracks x3	G  CR Runner Tracks x3	H  DL Runners x3	
I  DR Runners x3	J  Wedges x8	K  Wedge Screws x8	L  Safety Straps x2	M  Small Screws x2	N  Wall Plugs x2	O  Wall Screws x2	P  Washers x4	
Q  Large Dowels x2	R  Small Screws x24	S  Hinge x4	T  Shelf Plug x8					

1.

Attach 3 x CL Runner Tracks (F) and 4 x Cam Bolts (C) to Divider [6] with 9 x Small Screws (E).



You will need



4 Cam Bolts



3 CL Runner Tracks



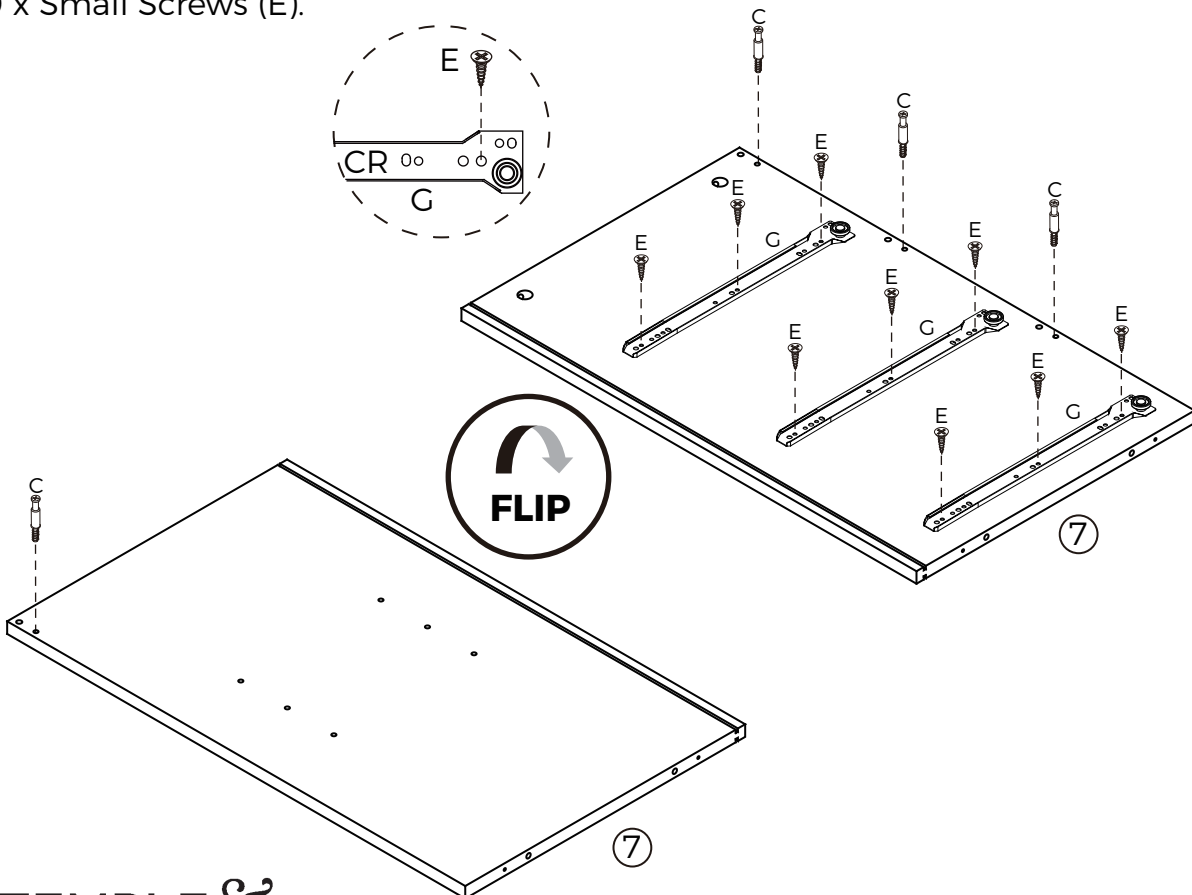
9 Small Screws



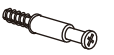
Phillips Head Screwdriver

2.

Attach 3 x CR Runner Tracks (G) and 4 x Cam Bolts (C) to Divider (7) with 9 x Small Screws (E).



You will need



4 Cam Bolts



3 CR Runner Tracks



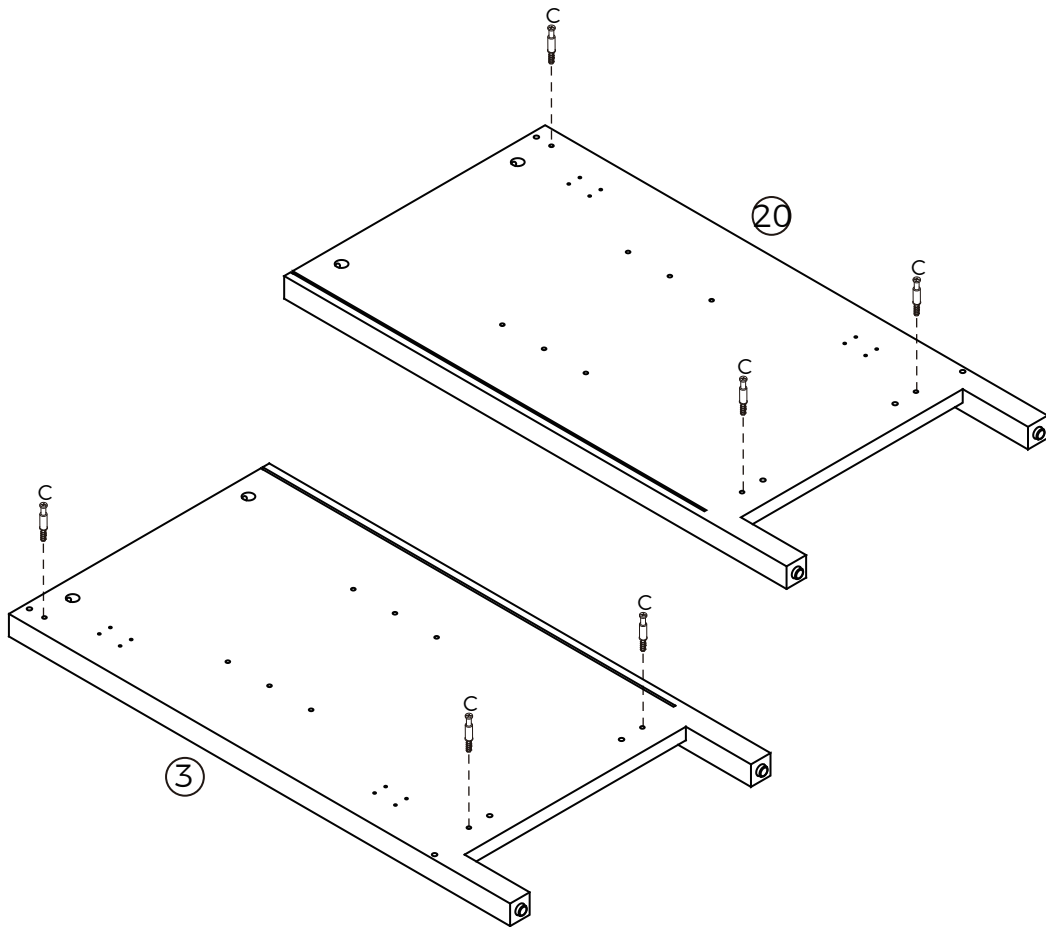
9 Small Screws



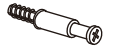
Phillips Head Screwdriver

3.

Attach 6 x Cam Bolts (C) to Left & Right Side Panels (3 & 20).



You will need



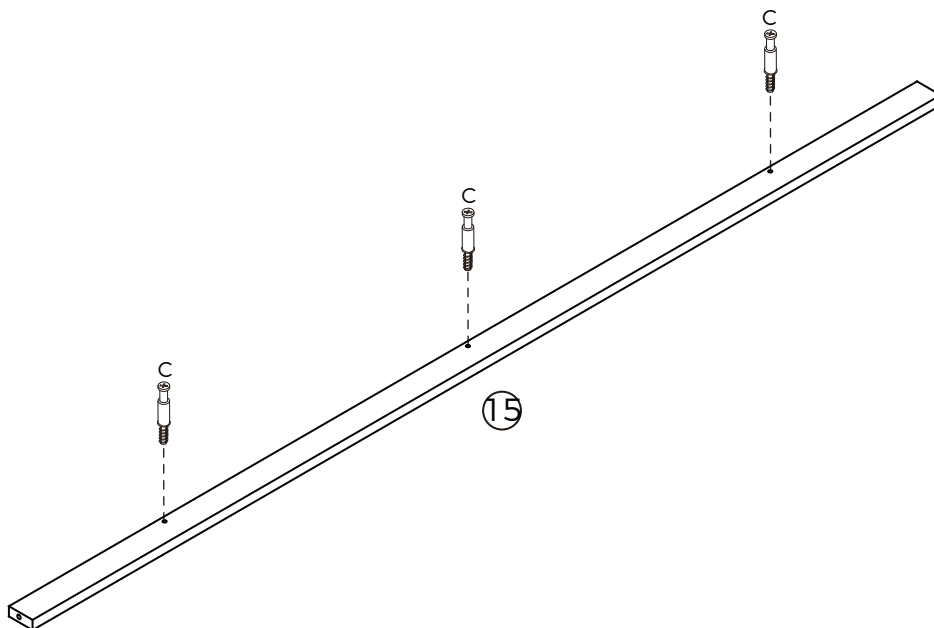
6 Cam Bolts



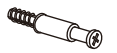
Phillips Head Screwdriver

4.

Attach 3 x Cam Bolts (C) to Rail (15).



You will need



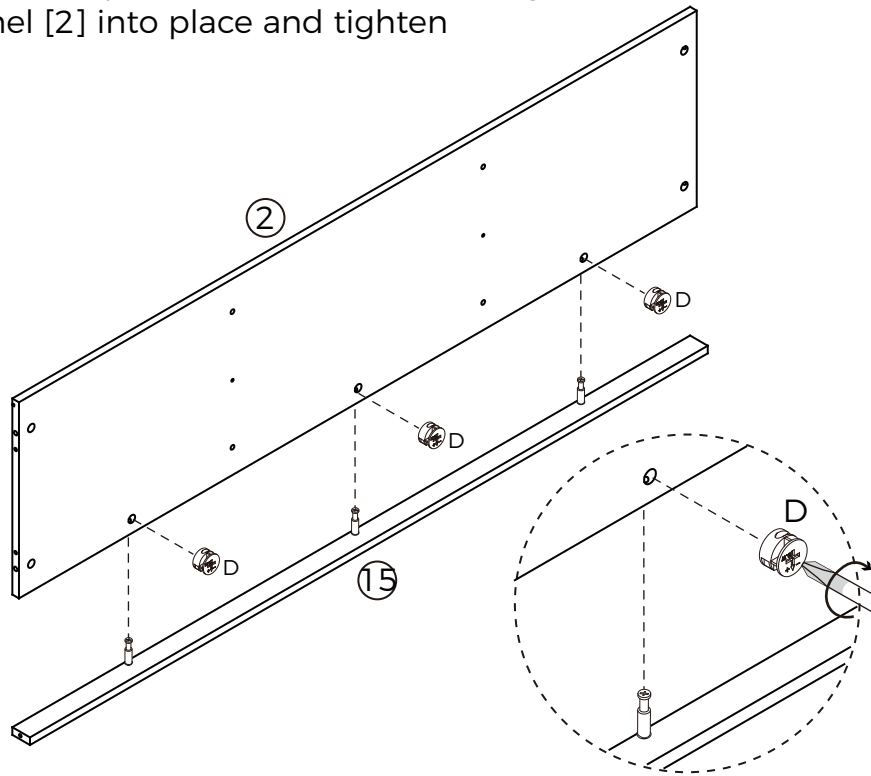
3 Cam Bolts



Phillips Head Screwdriver

5.

Insert 3 x Cam Nuts (D) into the holes of Bottom Panel [2]. Rotate the cam nuts so the arrows point towards the incoming cam bolts. Push Bottom Panel [2] into place and tighten the cam nuts.



You will need



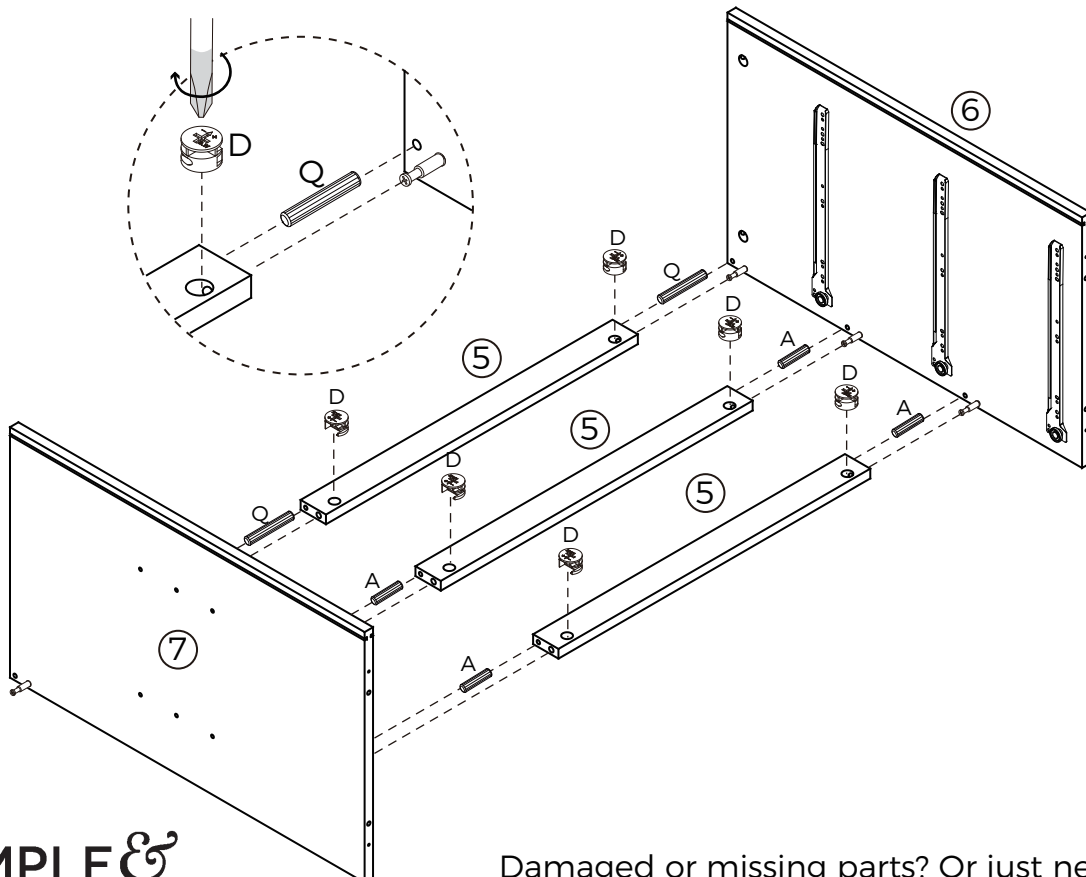
3 Cam Nuts



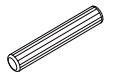
Phillips Head Screwdriver

6.

Insert 2 x Large Dowels (Q) and 4 x Dowels (A) into Rails [5]. Insert 6 x Cam Nuts (D) into the holes of Rails [5]. Rotate the cam nuts so the arrows point towards the incoming cam bolts. Push Dividers [6 & 7] into place and tighten the cam nuts.



You will need



2 Large Dowels



4 Dowels



6 Cam Nuts



Phillips Head Screwdriver

7.

Insert 2 x Cam Nuts (D) into the holes of Rails [4]. Rotate the cam nuts so the arrows point towards the incoming cam bolts. Push Rails [4] into place and tighten the cam nuts.

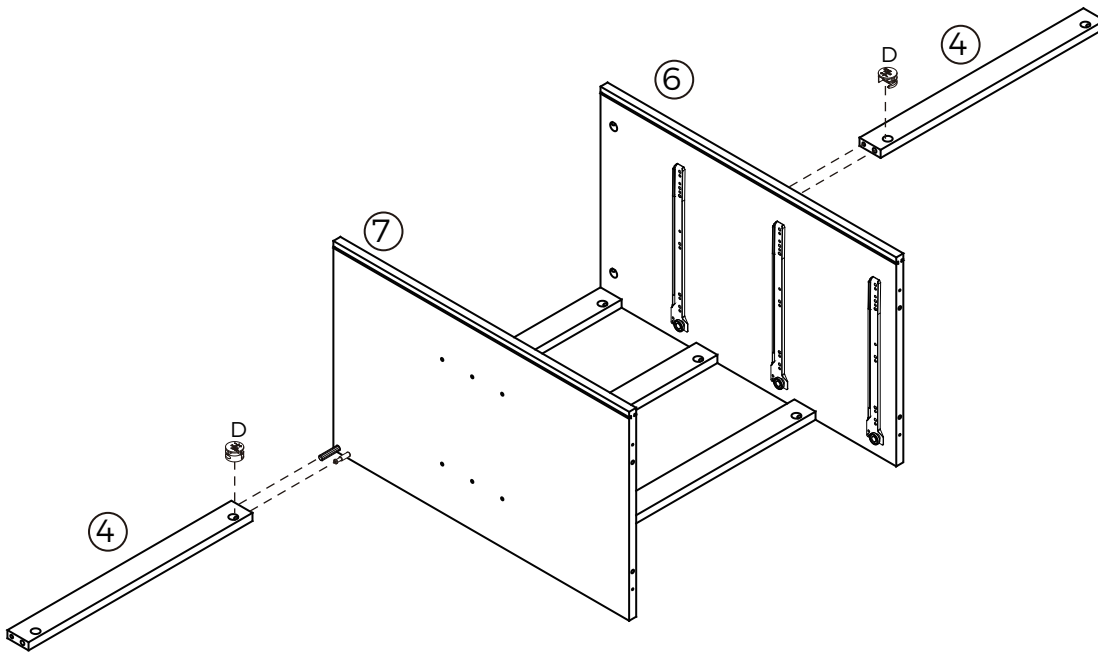
You will need



2 Cam Nuts



Phillips Head Screwdriver



8.

Insert 4 x Dowels (A) to Dividers [6 & 7]. Attach Bottom Panel [2] to Dividers [6 & 7] secure with 4 x Long Screws (B).

You will need



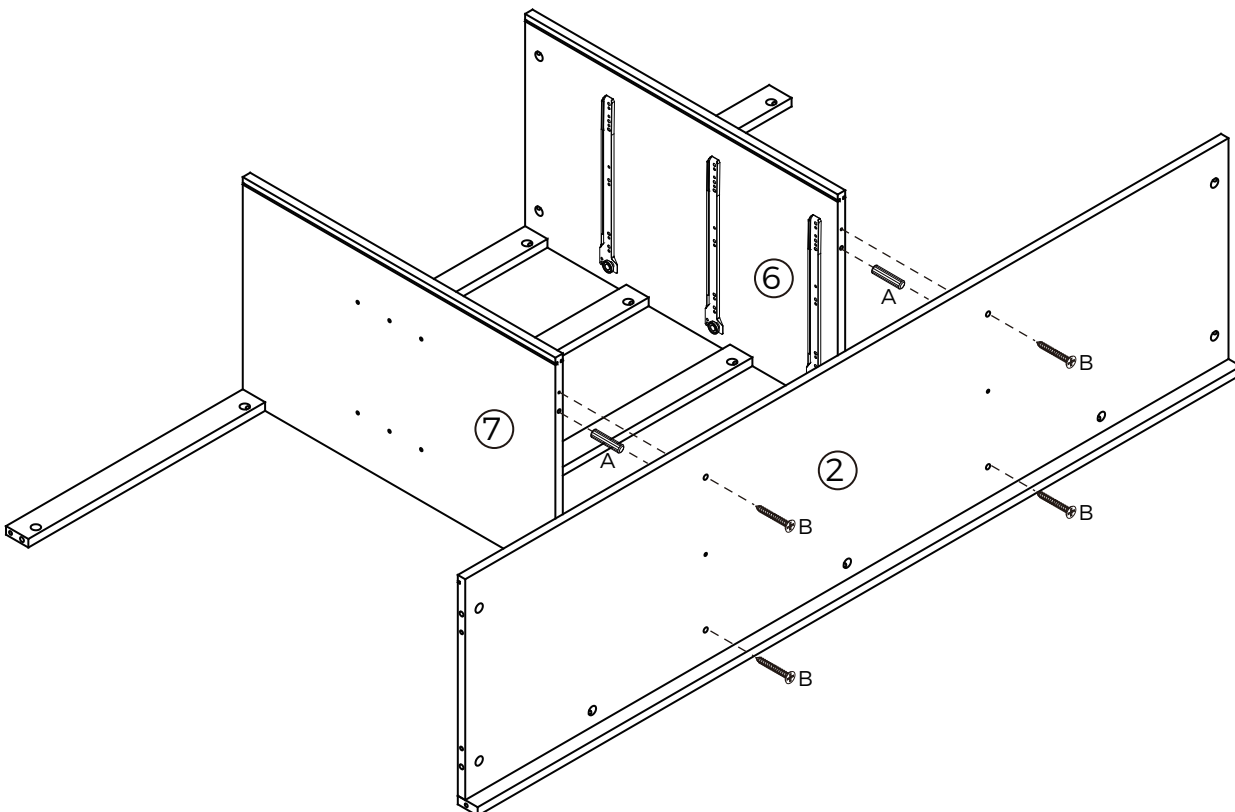
4 Dowels



4 Long Screws

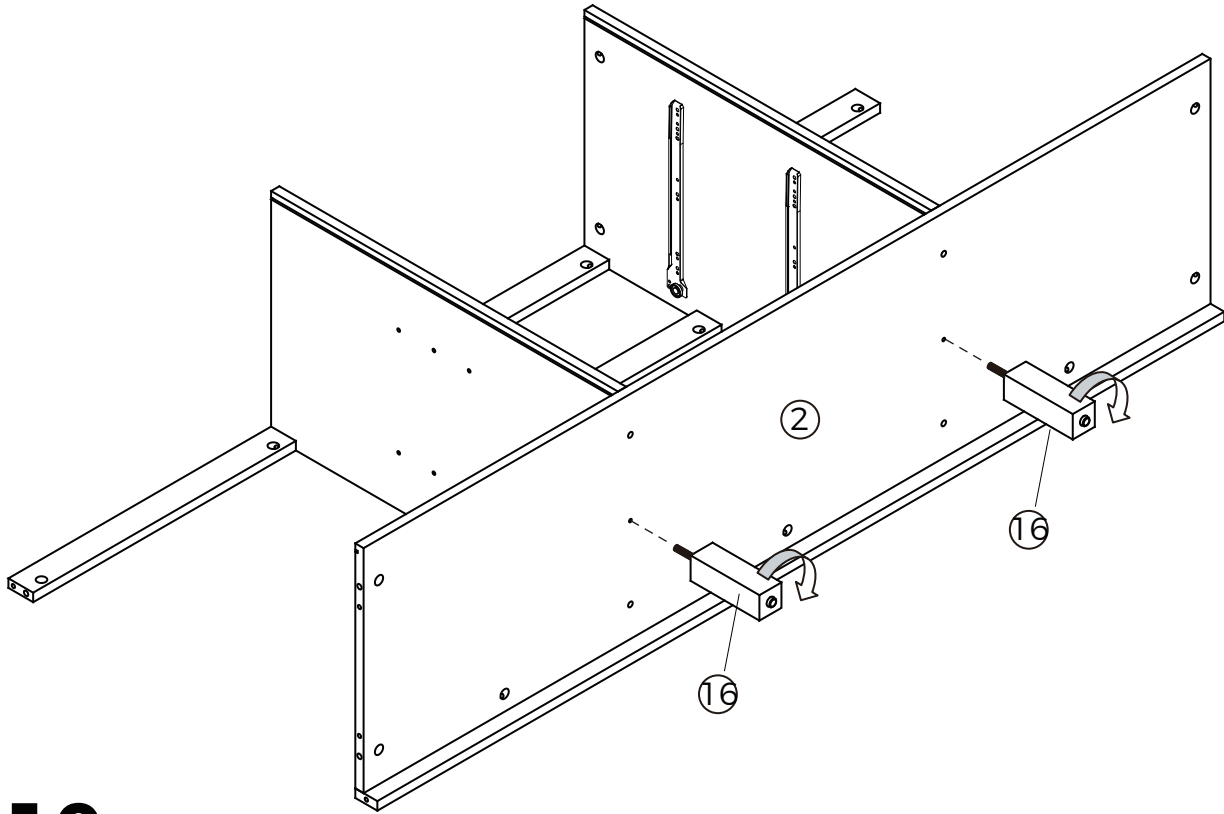


Phillips Head Screwdriver



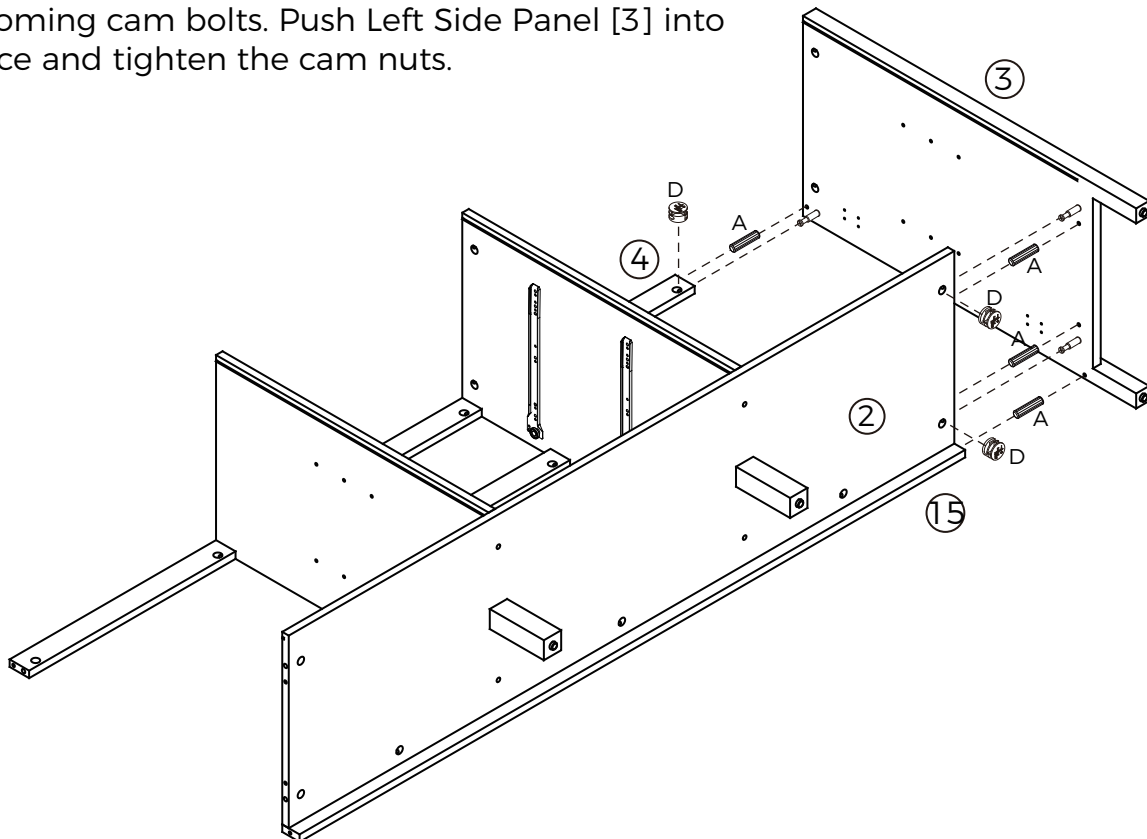
9.

Screw Legs [16] onto Bottom Panel [2].



10.

Insert 4 x Dowels (A) to Rail [4, 15] and Bottom Panel [2].
Insert 3 x Cam Nuts (D) into the holes of Rail [4] and Bottom Panel [2].
Rotate the cam nuts so the arrows point towards the incoming cam bolts. Push Left Side Panel [3] into place and tighten the cam nuts.



You will need



4 Dowels



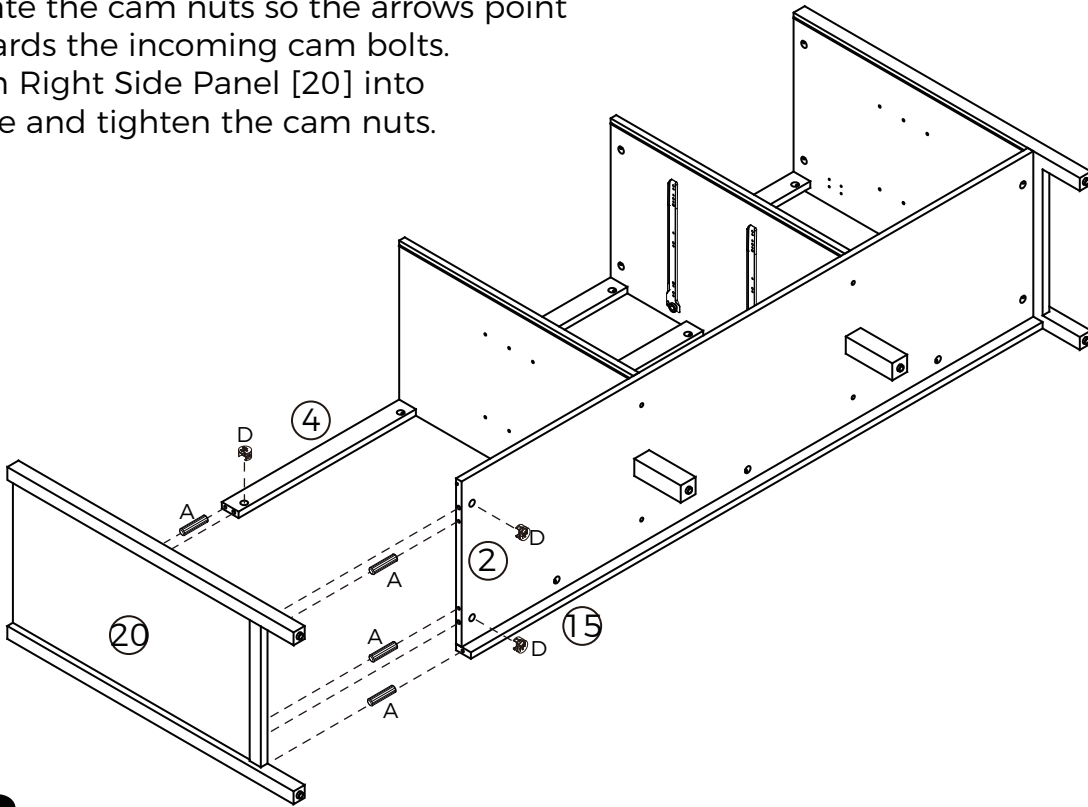
3 Cam Nuts



Phillips Head
Screwdriver

11.

Insert 4 x Dowels (A) to Rail [4, 15] and Bottom Panel [2].
Insert 3 x Cam Nuts (D) into the holes of Rail [4] and Bottom Panel [2].
Rotate the cam nuts so the arrows point towards the incoming cam bolts.
Push Right Side Panel [20] into place and tighten the cam nuts.



You will need



4 Dowels



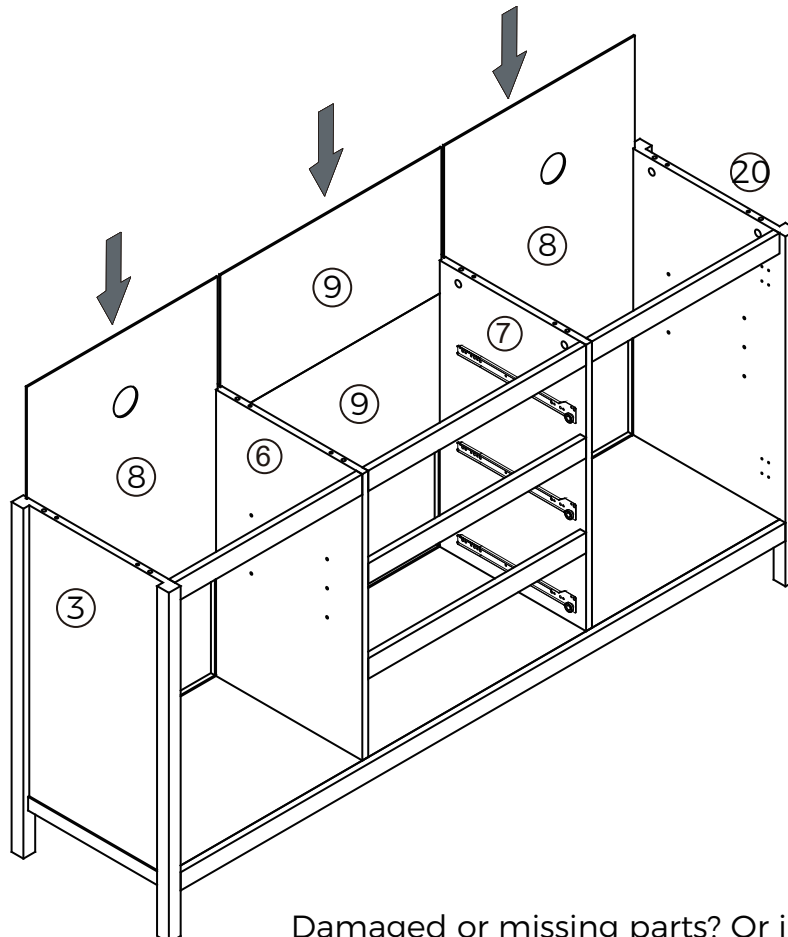
3 Cam Nuts



Phillips Head
Screwdriver

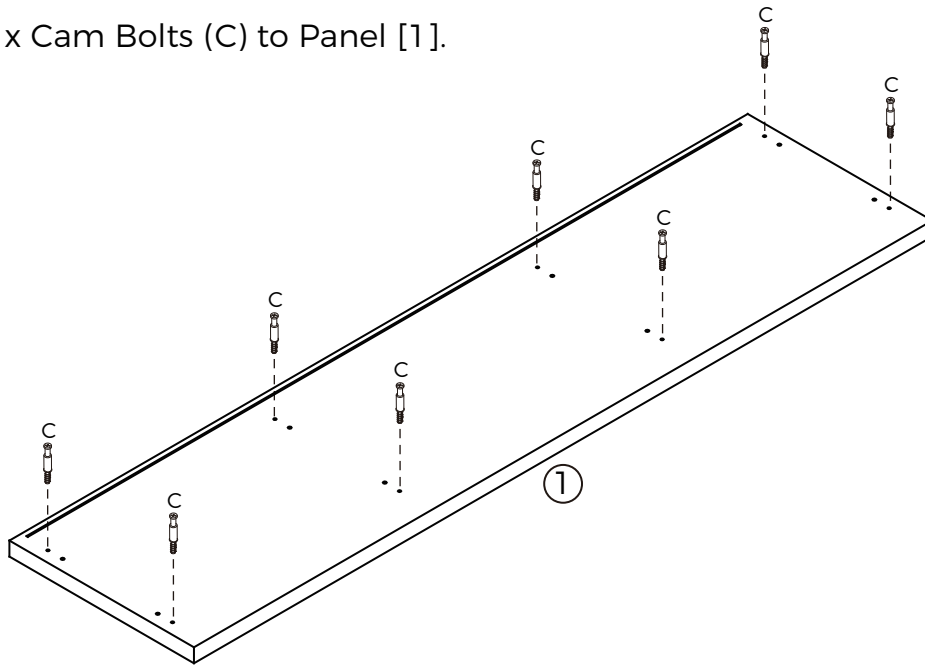
12.

Slide Back Panels [8 & 9] into the grooves of Left & Right Side Panels [3 & 20] and Dividers [6 & 7].

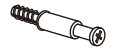


13.

Attach 8 x Cam Bolts (C) to Panel [1].



You will need



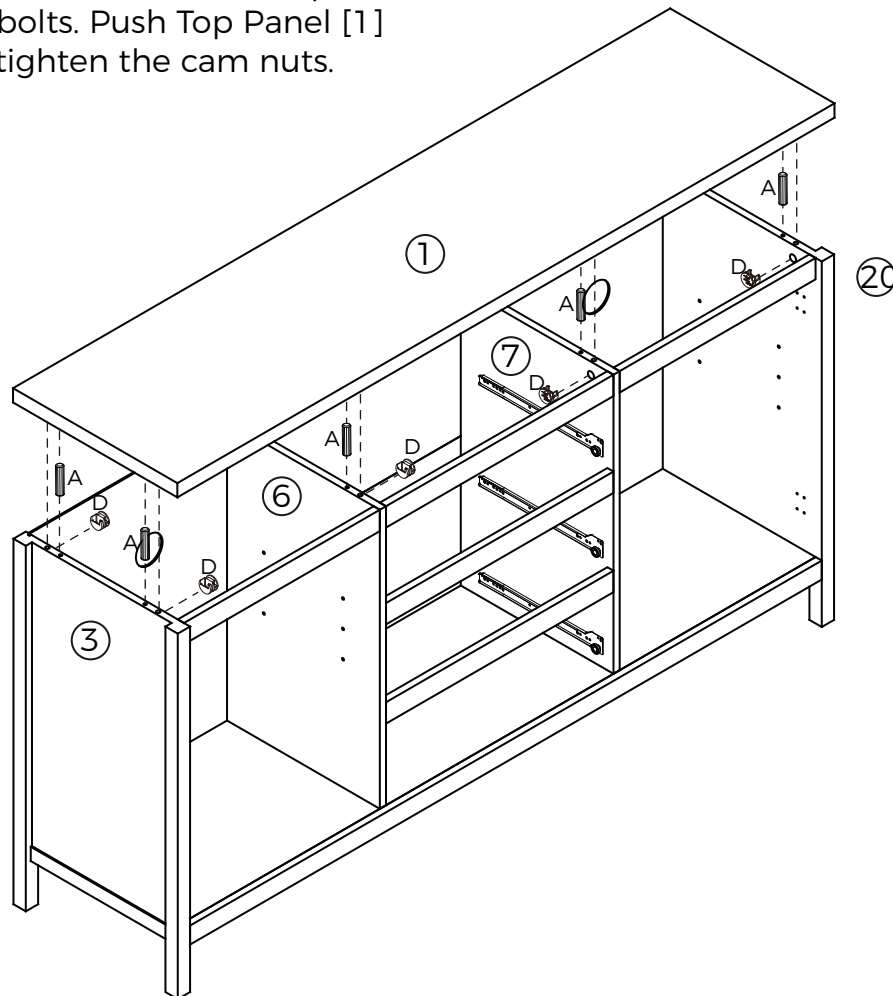
8 Cam Bolts



Phillips Head Screwdriver

14.

Insert 8 x Dowels (A) into Left & Right Side Panels [3 & 20] and Dividers [6 & 7]. Insert 8 x Cam Nuts (D) into the holes of Left & Right Side Panels [3 & 20] and Dividers [6 & 7]. Rotate the cam nuts so the arrows point towards the incoming cam bolts. Push Top Panel [1] into place and tighten the cam nuts.



You will need



8 Dowels



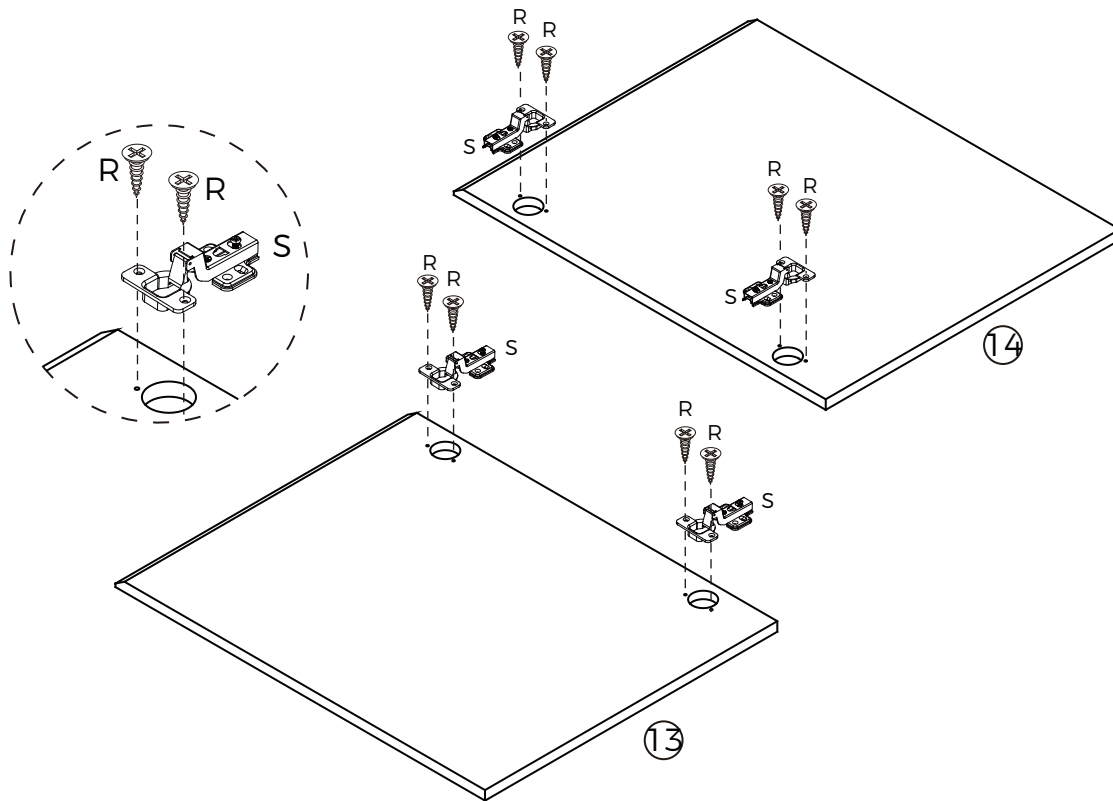
8 Cam Nuts



Phillips Head Screwdriver

15.

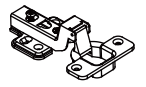
Attach 4 x Hinges (S) to Doors [13 & 14] with 8 x Screws (R).



You will need



8 Screws



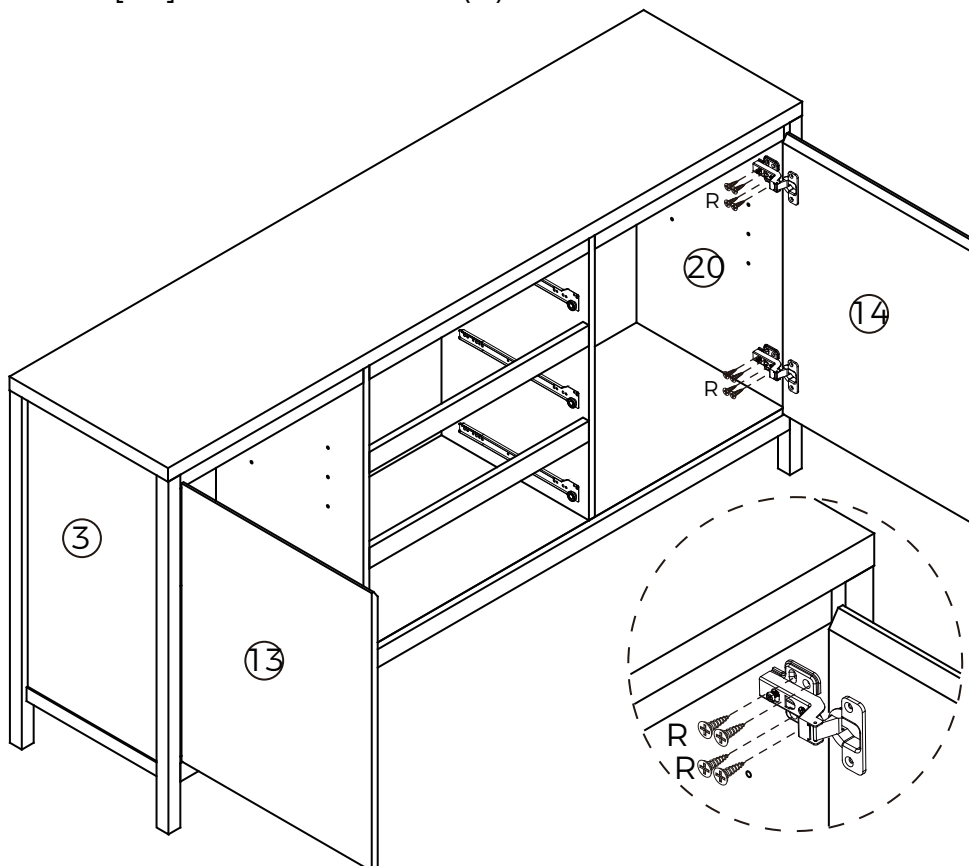
4 Hinges



Phillips Head
Screwdriver

16.

Attach Door [13] to Left Side Panel [3] and Door [14] to Right Side Panel [20] with 16 x Screws (R).



You will need



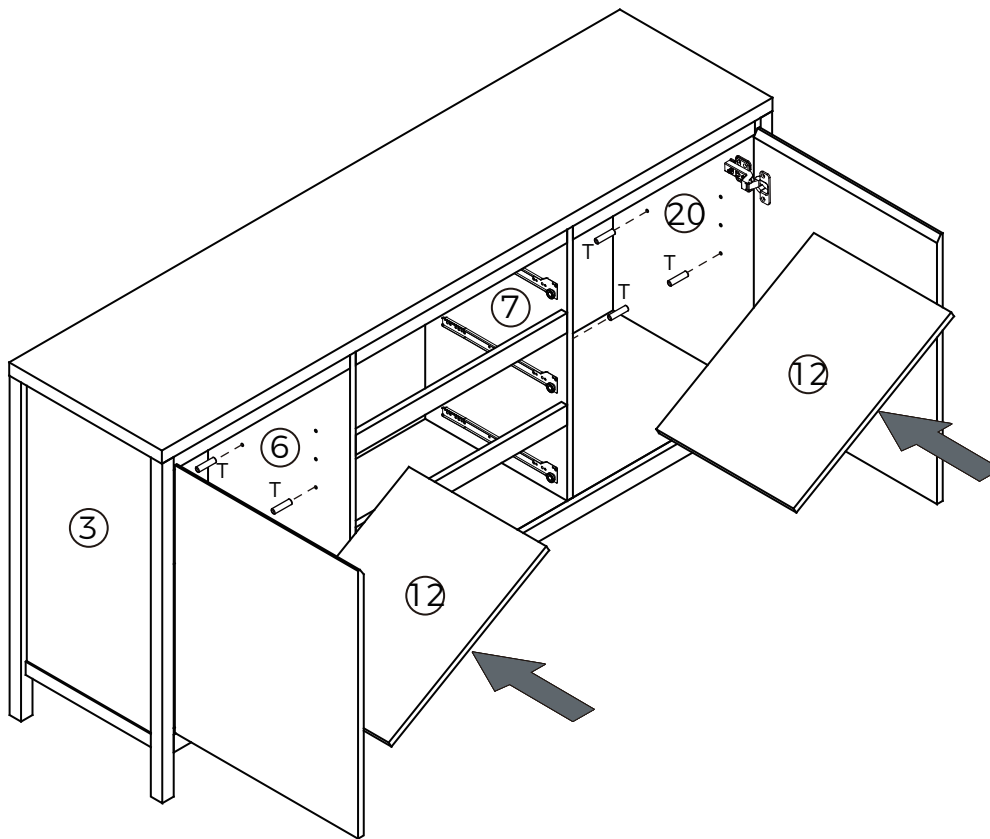
16 Screws



Phillips Head
Screwdriver

17.

Insert 8 x Shelf Plugs (T) into the end cavities of the cabinet.
Insert the 2 x Shelf Panels [12] and balance on top of the plugs.



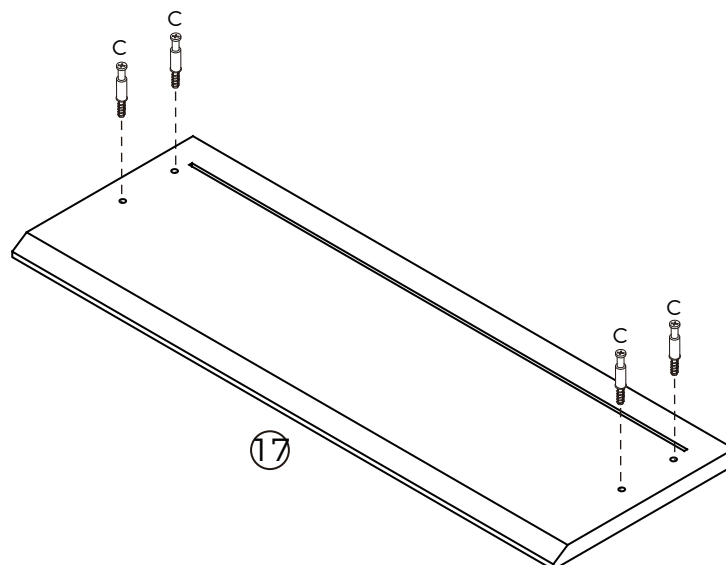
You will need



8 Shelf Plug

18.

Attach 4 x Cam Bolts (C) to Drawer Front (17) .



You will need



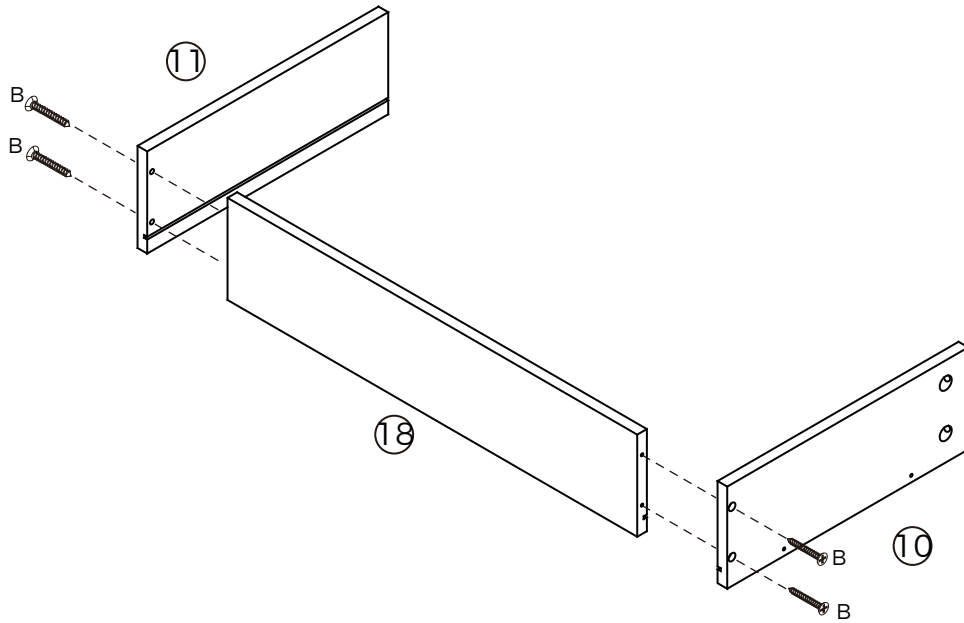
12 Cam Bolts





Phillips Head Screwdriver

19.

Attach Drawer Back [18] to Left & Right Drawer Sides [10 & 11] with 4 x Screws (B).

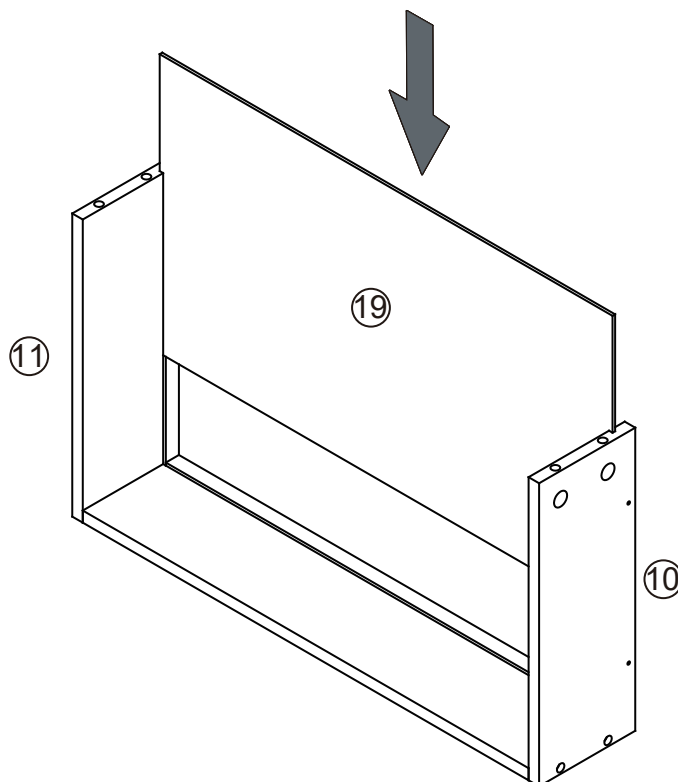


x3

You will need
 12 Screws
 Phillips Head Screwdriver

20.

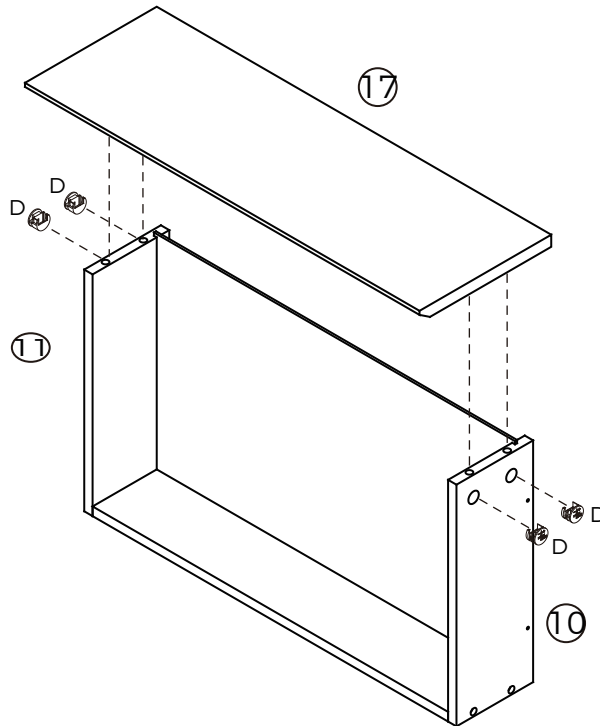
Slide Drawer Base [19] into the grooves of Left & Right Drawer Sides [10 & 11].



x3

21.

Insert 4 x Cam Nuts (D) into Left & Right Drawer Sides [10 & 11]. Rotate the cam nuts so the arrows point towards the incoming cam bolts. Attach Drawer Front [17] to Left & Right Drawer Sides [10 & 11]. Make sure that the groove lines up the whole way around the drawer.



You will need



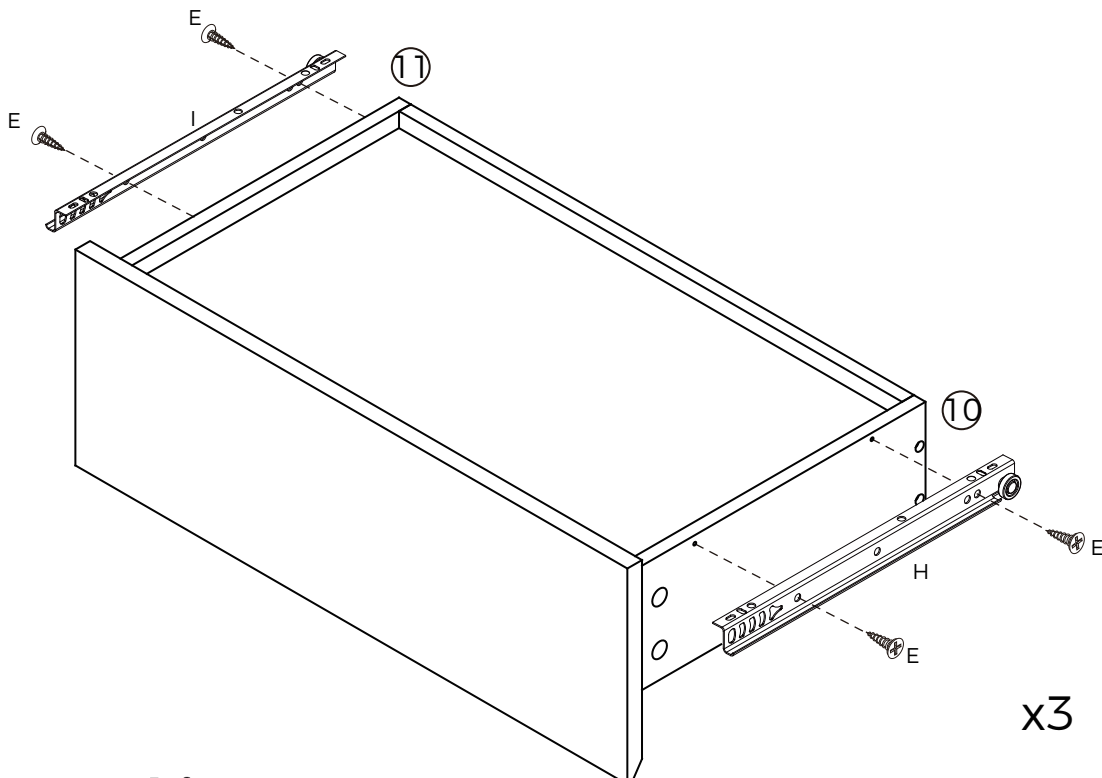
12 Cam Nuts



Phillips Head Screwdriver

22.

Attach 1 x DL Runner (H) to the bottom of Left Drawer Side [10] and 1 x DR Runner (I) to the bottom of Right Drawer Side [11] with 4 x Small Screws (E).



You will need



3 DL Runners



3 DR Runners



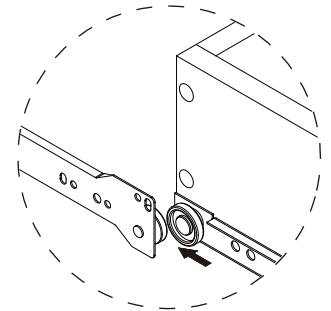
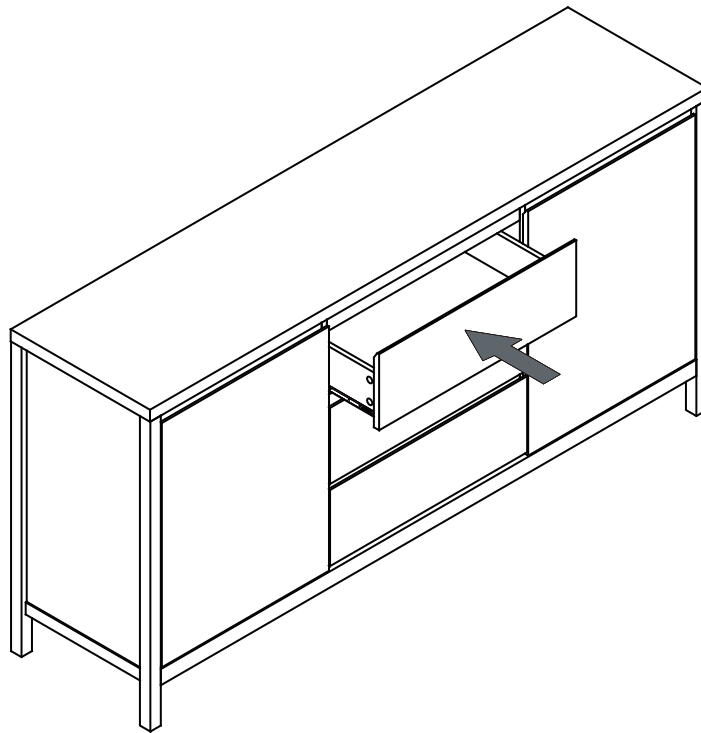
12 Small Screws



Phillips Head Screwdriver

23.

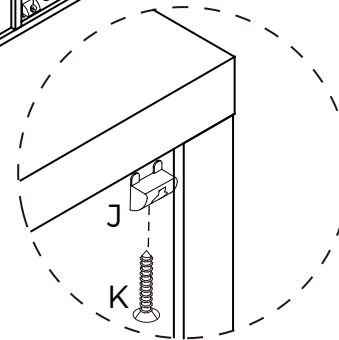
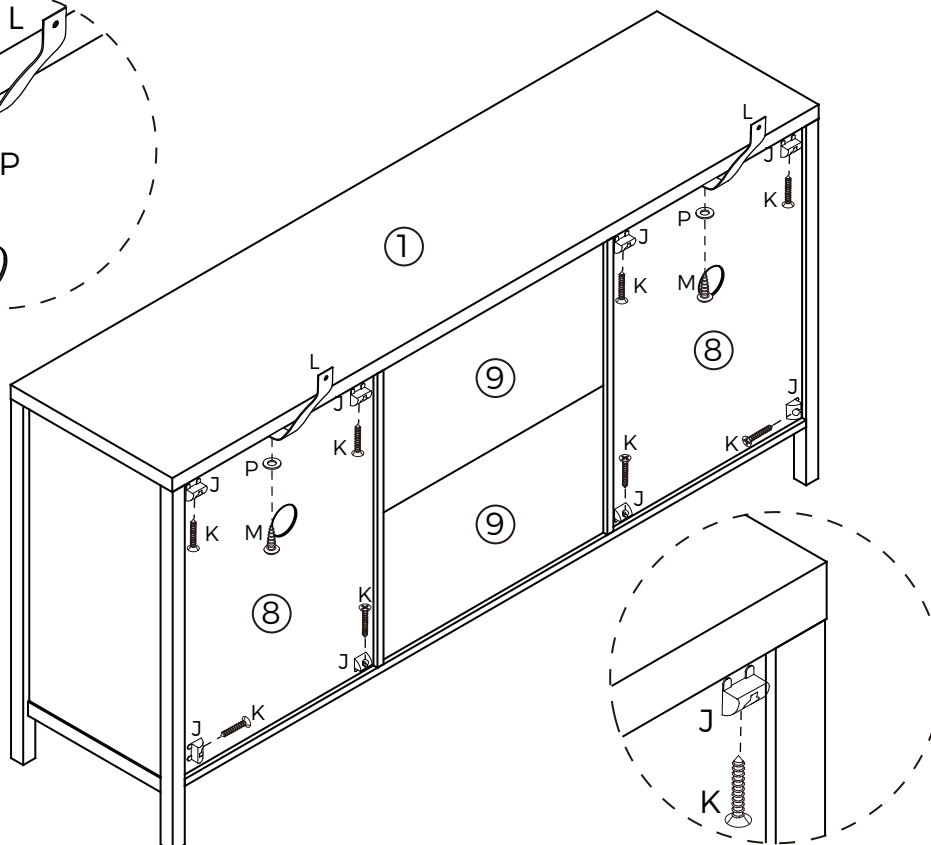
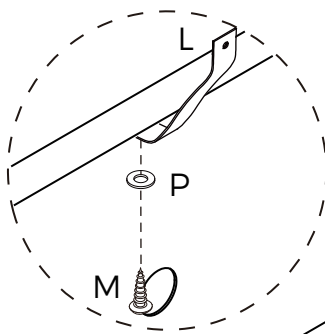
Insert the assembled drawers into the corresponding compartments.



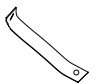
Carefully insert the drawers into the unit by gently guiding the runners into the tracks.

24.

Secure Back Panels [8] in place with 8 x Wedges (J) using 8 x Screws (K). Attach 2 x Safety Straps (L) to the Top Panel [1] of the back side of the unit using 2 x Washers (P) and 2 x Screws (M).



You will need



2 Safety Straps



2 Screws



2 Washers



8 Wedges



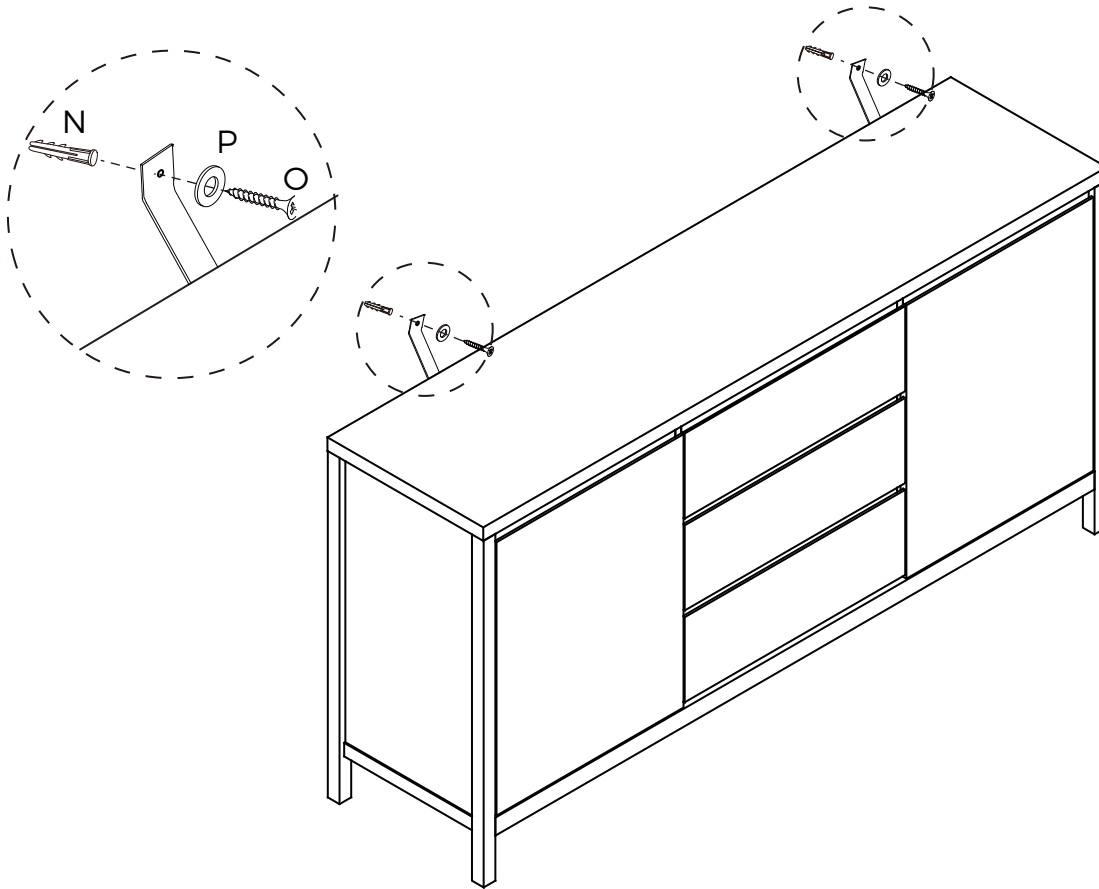
8 Wedges Screws



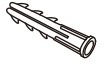
Phillips Head Screwdriver

25.

Move the unit to the final position. Fasten the safety strap to your wall using appropriate fixings for your wall type. If you are unsure, please seek professional advice on how to attach this safety strap to your specific wall.



You will need



2 Wall Plugs



2 Wall Screws



2 Washers



Phillips Head Screwdriver

26.

