

Rhodes Oak Veneer Kitchen Island Bench with drawers

Assembly tips

- Assemble your product on a level surface and lay something soft underneath to protect potential floor damage.
- Don't over tighten screws. During assembly we recommend tightening to approximately 70% tightness. Only tighten hardware 100% when fully assembled.
- Keep children away from assembly area as bags and small parts can pose a choking hazard.
- Make sure you have enough space to layout parts before starting. We recommend assembling your item in its final location.
- Do not stand on or put weight on the parts as it may warp or damage product.
- We do not recommend the use of drills or power tools (unless specified) as it may damage the product or hardware. Use hand held screwdrivers only.
- It is best that two people assemble the product as some products may be too heavy for one person. Check this booklet for guidance.

Safety, care and maintenance

- ALWAYS secure it with an anchor device
- Never let children climb or hang on drawers, doors or shelves.
- NEVER open more than one drawer at a time
- Place heavy items down low
- For advice on suitable fastening devices, contact your local specialized dealer.
- To protect your product and your home, we recommend using coasters, placemats, rugs and other protective items.
- Screws may loosen over time. We recommend setting a reminder to tighten up every six months.
- Remove any liquid spills immediately using a clean cloth with mild detergent. Do not use bleach or abrasive cleaners. Always test any cleaning agent in an inconspicuous spot first to know if it is suitable.

Recycling

We hope that you love your product forever, but we know situations change. In the event that you wish to dispose of your product please consider some creative ways to give it a new home:

- If it's still in great shape, sell it on your favourite online marketplace!
- Give it a second life by affording it a fresh coat of paint.
- If you must dispose of it, why not donate it to your local charity or shelter for someone else to enjoy.

Please dispose of this product and packaging responsibly and recycle where possible. Scan the QR code to read more about Temple and Webster's commitment to a more sustainable future.



Important safety instructions

DANGER!

Children have died from furniture tip over.

Toppling Hazard Warning

- ALWAYS secure items with an anchor device
- For safety reasons, we recommend you follow the provided instructions
- When installed properly, the provided hardware may prevent the unit from tipping over unexpectedly.
- Never let children climb or hang on drawers, doors or shelves.
- NEVER open more than one drawer at a time
- Place heavy items down low
- For advice on suitable fastening devices, contact your local specialized dealer



ASSEMBLY INSTRUCTIONS

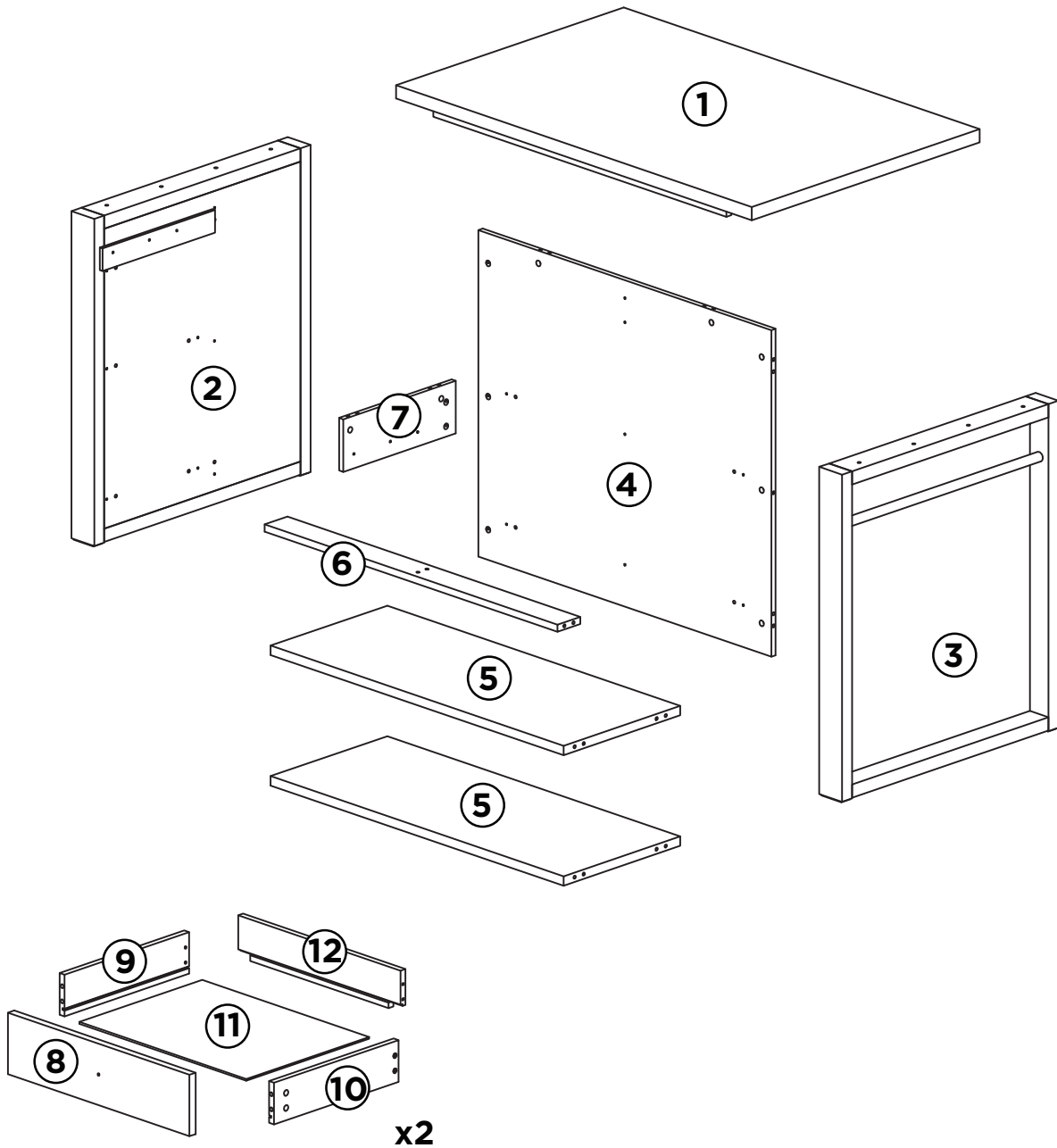
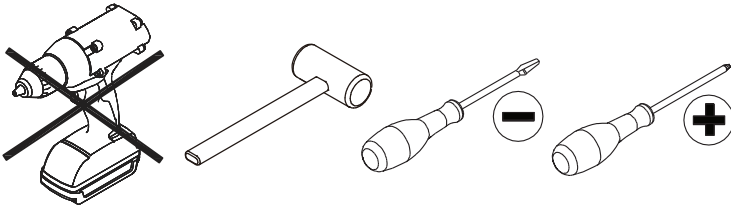
Parts list

Rhodes Oak Veneer Kitchen Island Bench with drawers

SBRIBTNW

NUMBER OF PEOPLE REQUIRED FOR
ASSEMBLY:

2

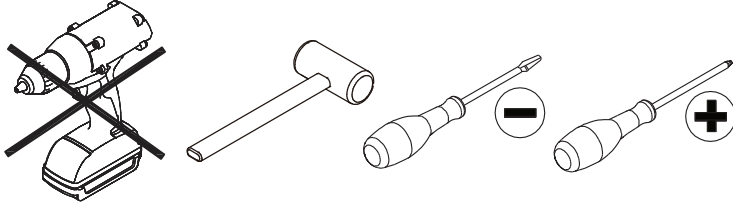


Fiting list

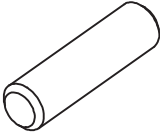
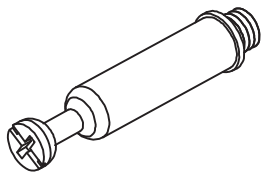

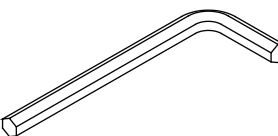
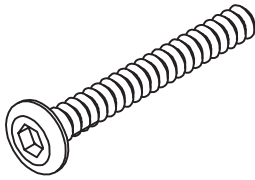
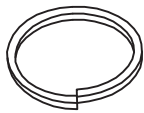
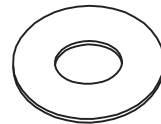
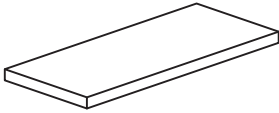
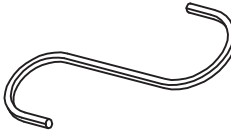
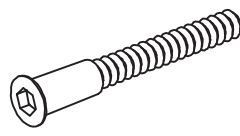
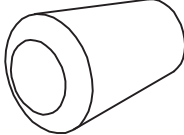
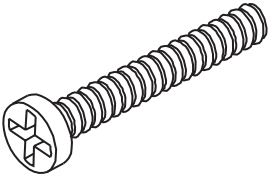
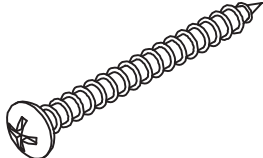
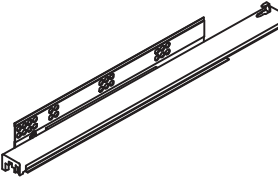
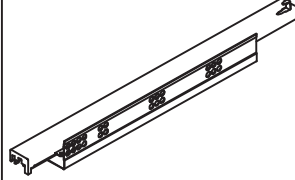
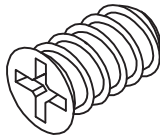
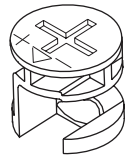
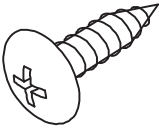
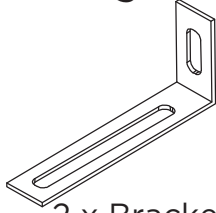
ASSEMBLY INSTRUCTIONS Rhodes Oak Veneer Kitchen Island Bench with drawers SBRIBTNW

TOOLS REQUIRED FOR ASSEMBLY

NUMBER OF PEOPLE REQUIRED FOR ASSEMBLY:

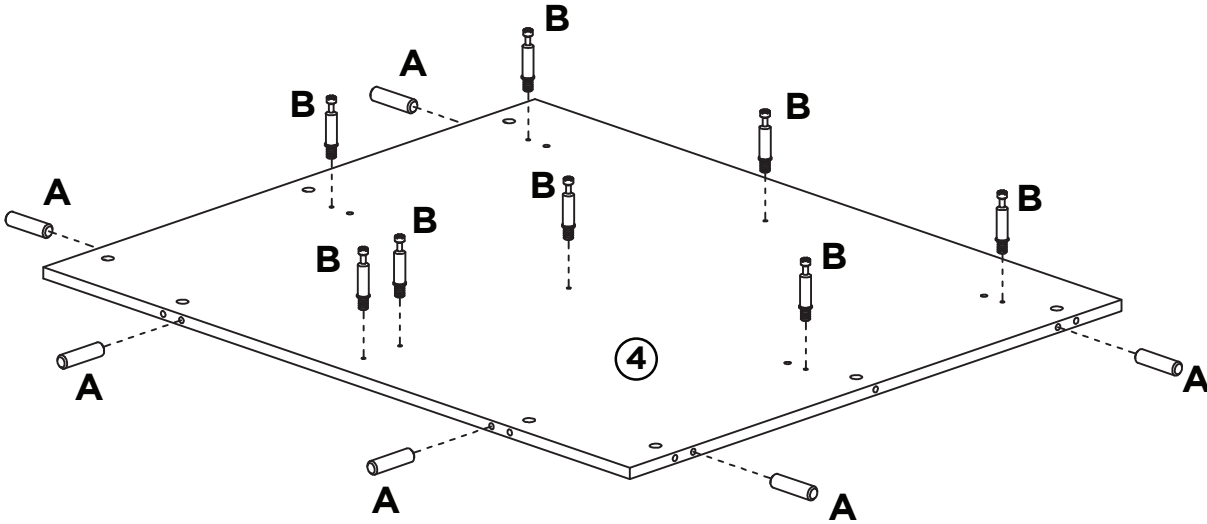


2

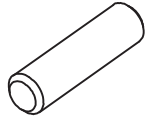
<p>A</p>  <p>23 x Wood Dowels Ø8x30mm</p>	<p>B</p>  <p>36 x Connecting Bolts Ø6x44mm</p>	<p>C</p>  <p>28 x Locking Nuts Ø15x12mm</p>	<p>D</p>  <p>1 x Allen Key 4mm</p>	<p>E</p>  <p>8 x Bolts M6x45mm</p>
<p>F</p>  <p>8 x Spring Washers Ø6mm</p>	<p>G</p>  <p>8 x Washers Ø6/Ø16mm</p>	<p>H</p>  <p>4 x Felt Pads 70x30mm</p>	<p>I</p>  <p>4 x Hooks</p>	<p>J</p>  <p>1 x Bolt Ø7x50mm</p>
<p>K</p>  <p>2 x Knobs</p>	<p>L</p>  <p>2 x Bolts Ø4x20mm</p>	<p>M</p>  <p>8 x Screws Ø4 x 35mm</p>	<p>N</p>  <p>2 x Runners 350mm</p>	<p>O</p>  <p>2 x Runners 350mm</p>
<p>P</p>  <p>12 x Screws Ø6x8mm</p>	<p>Q</p>  <p>8 x Locking Nuts Ø12x10mm</p>	<p>R</p>  <p>12 x Screws Ø3.5x16mm</p>	<p>S</p>  <p>2 x Brackets 75x25x15mm</p>	

1.

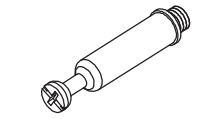
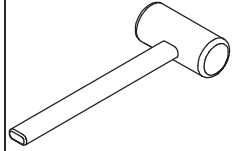
Insert 6 x Wood Dowels **(A)** into Back Panel **(4)**.
Screw 8 x Connecting Bolts **(B)** into Back Panel **(4)** .



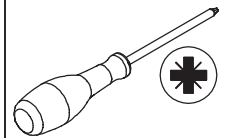
You will need:



6 Wood Dowels

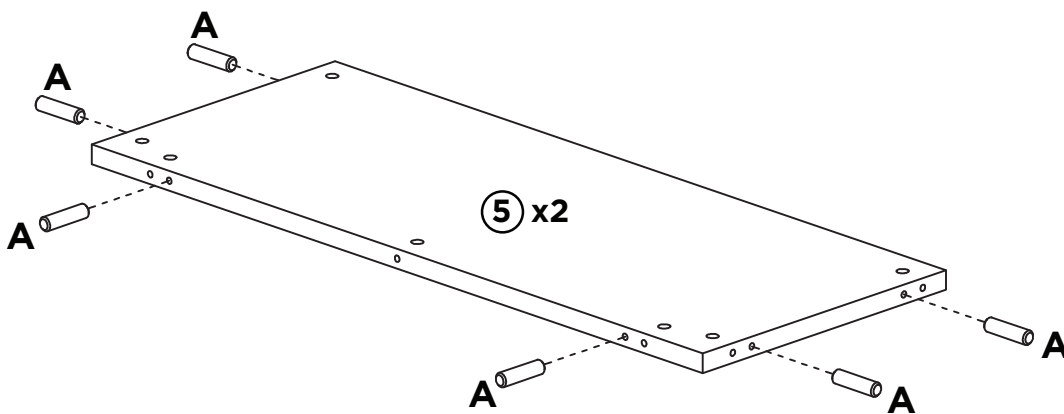


8 Connecting Bolts

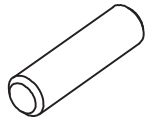


2.

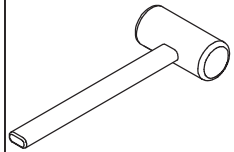
Insert 12 x Wood Dowels **(A)** into 2 x Shelf **(5)** .



You will need:

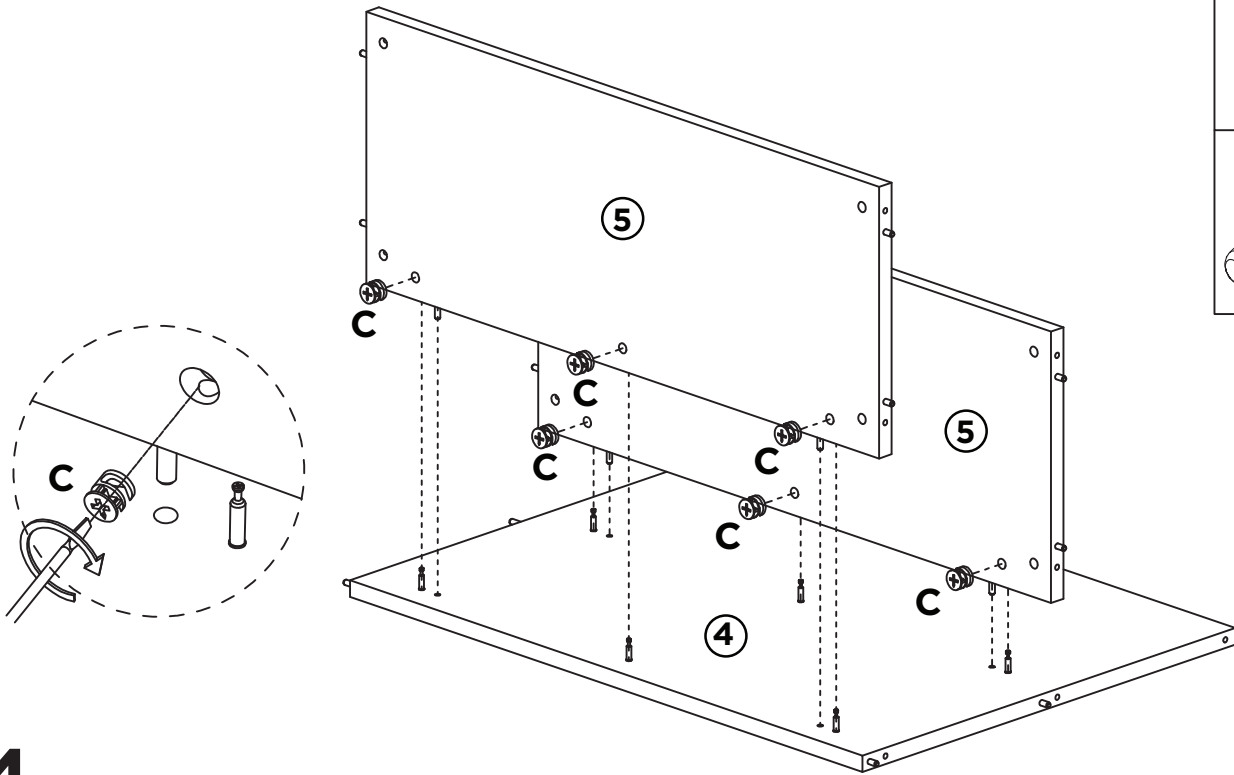


12 Wood Dowels

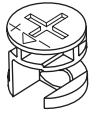


3.

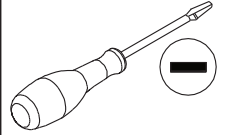
Position 1 x Shelf (5) onto Back Panel (4) as shown. Insert 3 x Locking Nuts (C) into Shelf (5). Turn the Locking Nuts (C) clockwise to lock using a flat head screwdriver. Repeat with the other Shelf (5).



You will need:

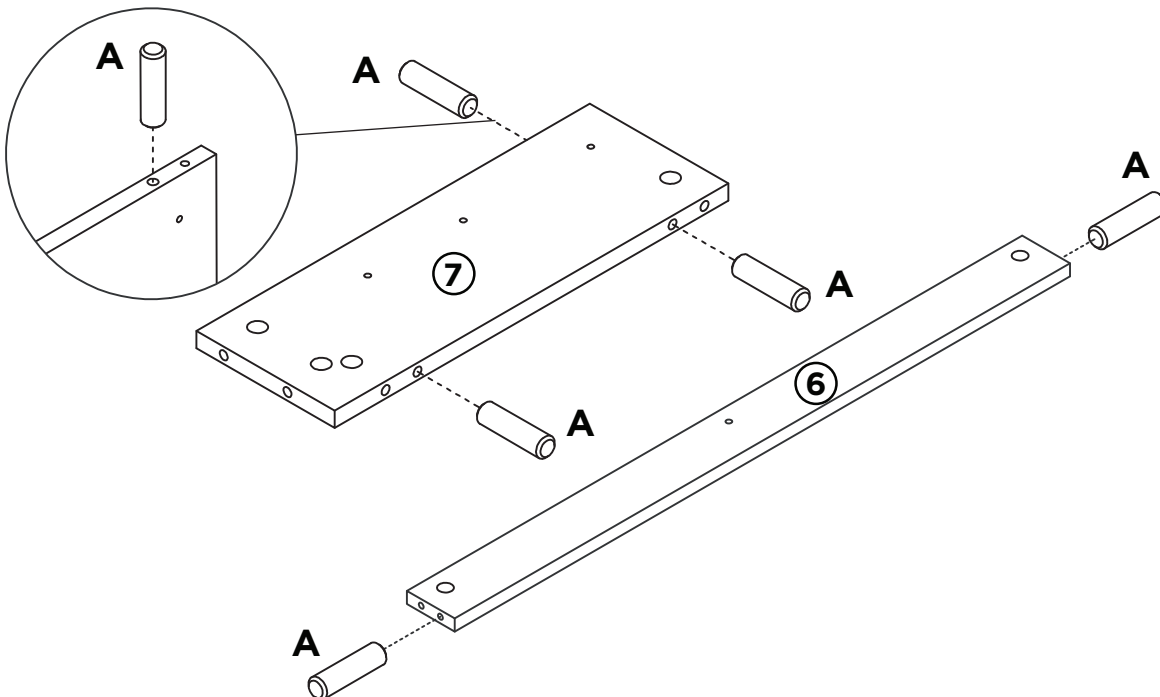


6 Locking Nuts

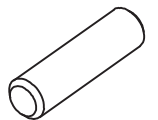


4.

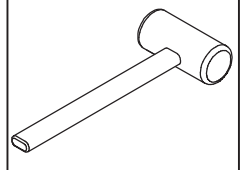
Insert 5 x Wood Dowels (A) into Divider (7) and Rail (6).



You will need:

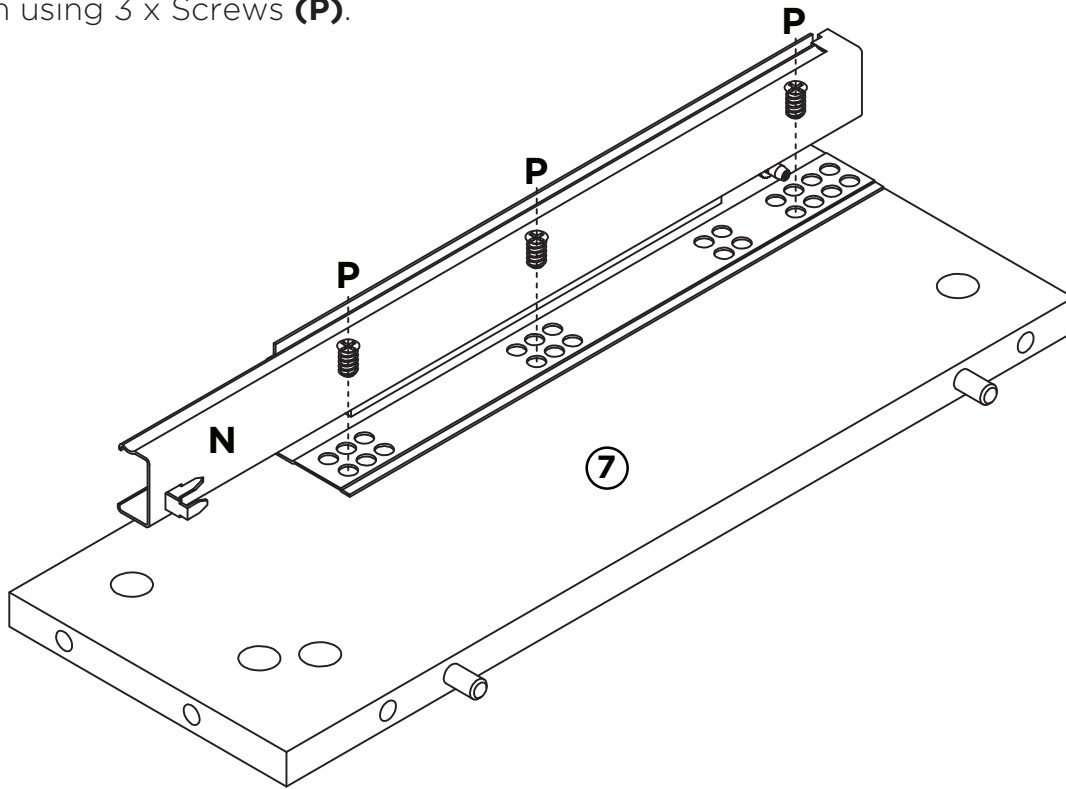


5 Wood Dowels

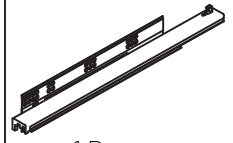


5.

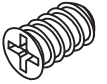
Position Runner **(N)** to the front edge of Divider **(7)**. Fix through holes shown using 3 x Screws **(P)**.



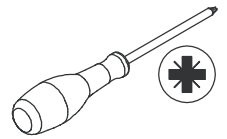
You will need:



1 Runner

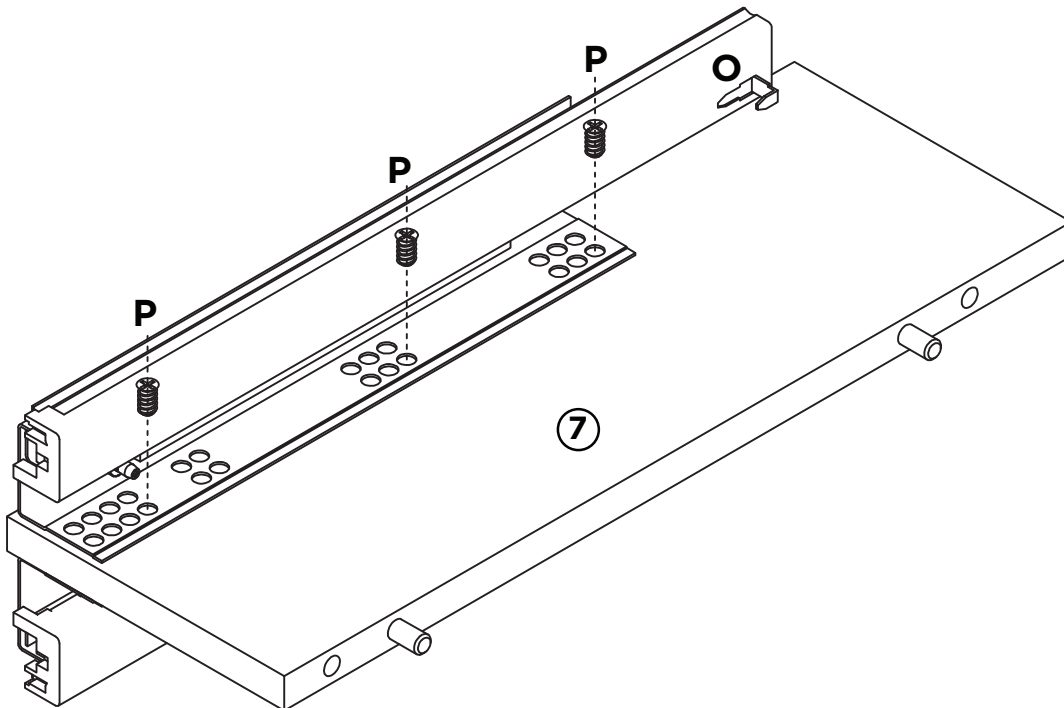


3 Screws

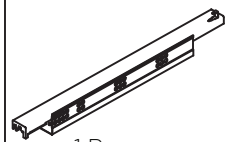


6.

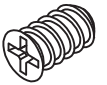
Turn Divider **(7)** over. Position Runner **(O)** to the front edge of Divider **(7)**. Fix through holes shown using 3 x Screws **(P)**.



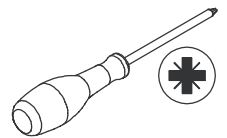
You will need:



1 Runner

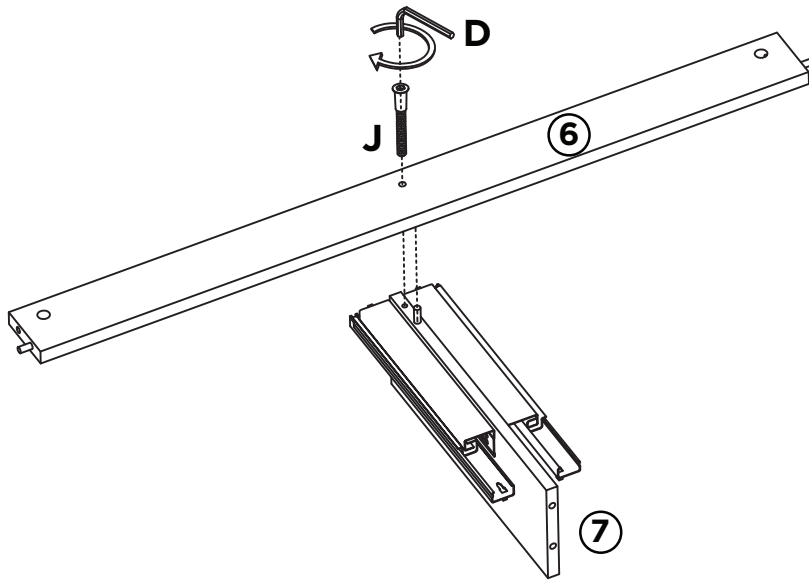


3 Screws

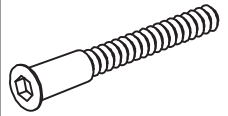


7.

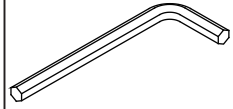
Attach Rail (6) to Divider (7) with 1 x Bolt (J) Fasten the bolt using Allen Key (D).



You will need:



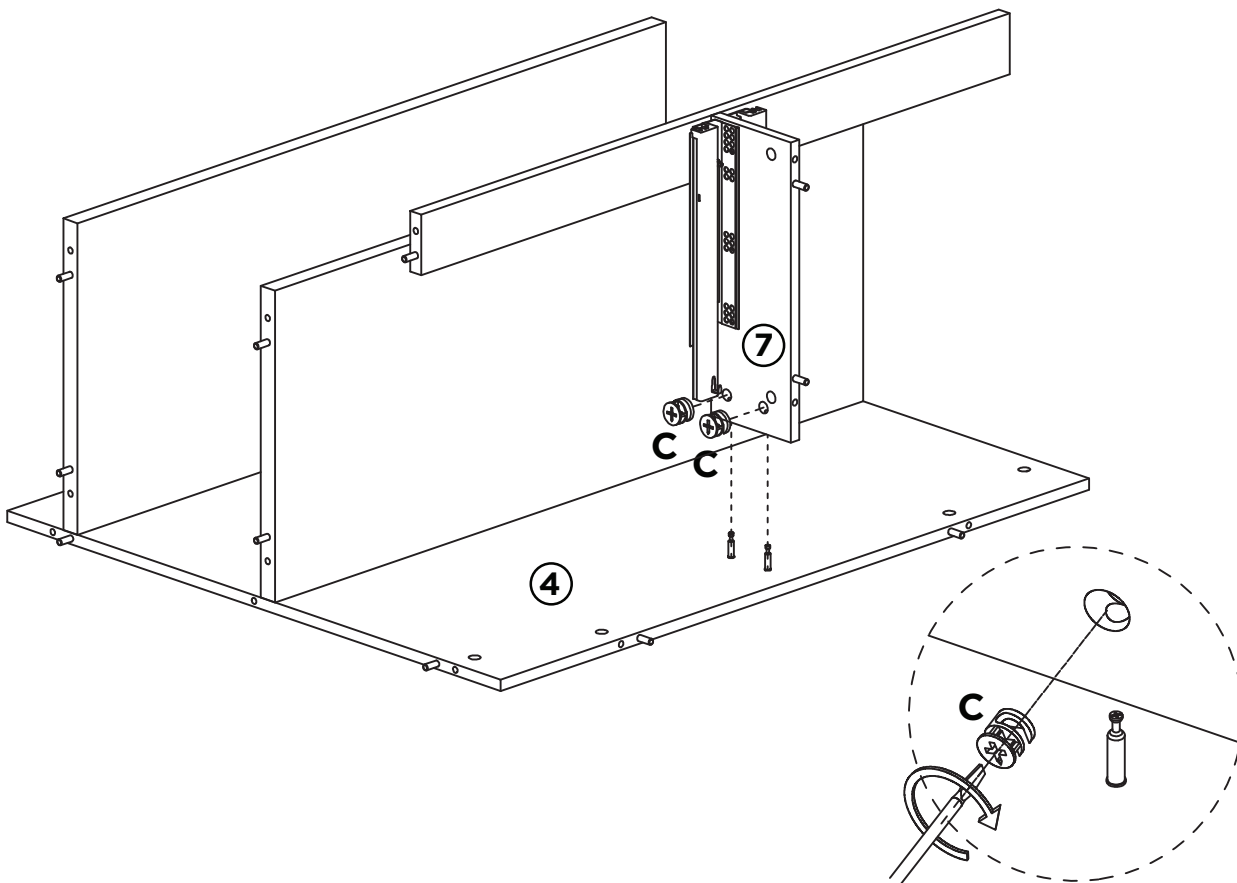
1 Bolt



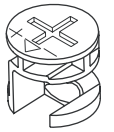
1 Allen Key

8.

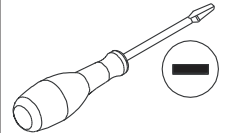
Position Divider (7) onto Back Panel (4). Insert 2 x Locking Nuts (C) into Divider (7). Turn the Locking Nuts (C) clockwise to lock using a flat head screwdriver.



You will need:

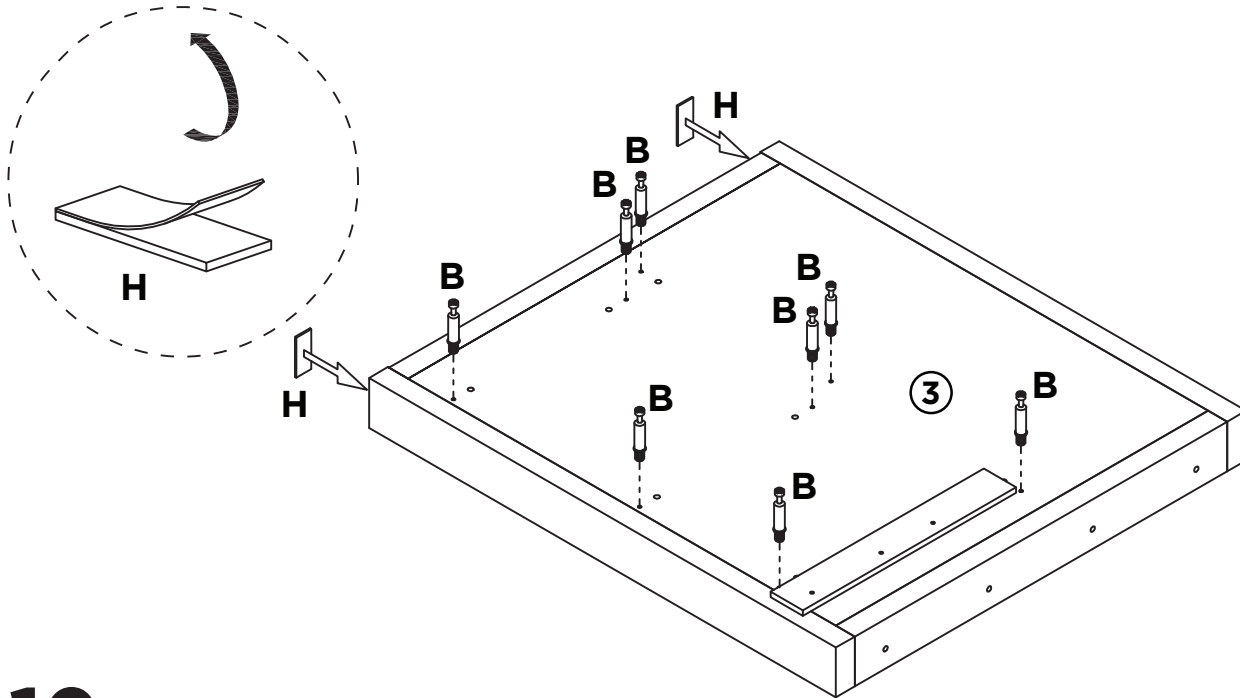


2 Locking Nuts

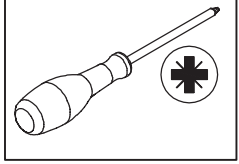
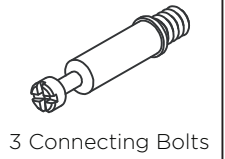


9.

Screw 8 x Connecting Bolts **(B)** into Right Side **(3)**. Paste 2 x Felt Pads **(H)** to the Right Side **(3)** as shown.

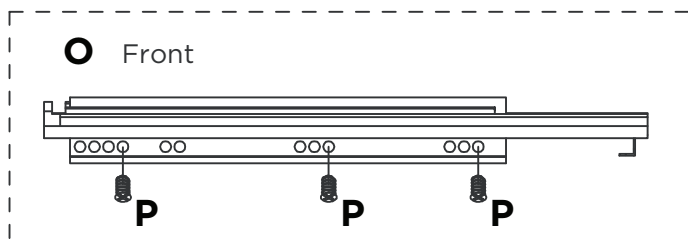
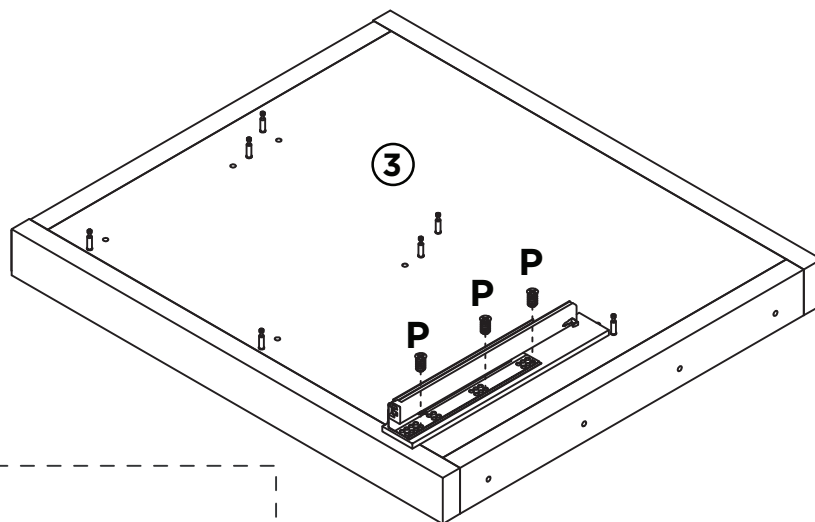


You will need:

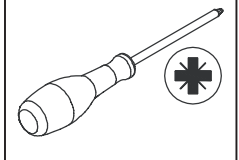
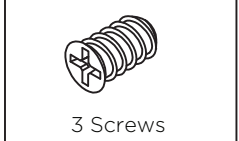
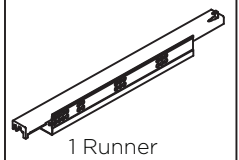


10.

Position Runner **(O)** to the front edge of the runner support rail on the Right Side **(3)**. Fix through holes shown using 3 x Screws **(P)**.



You will need:



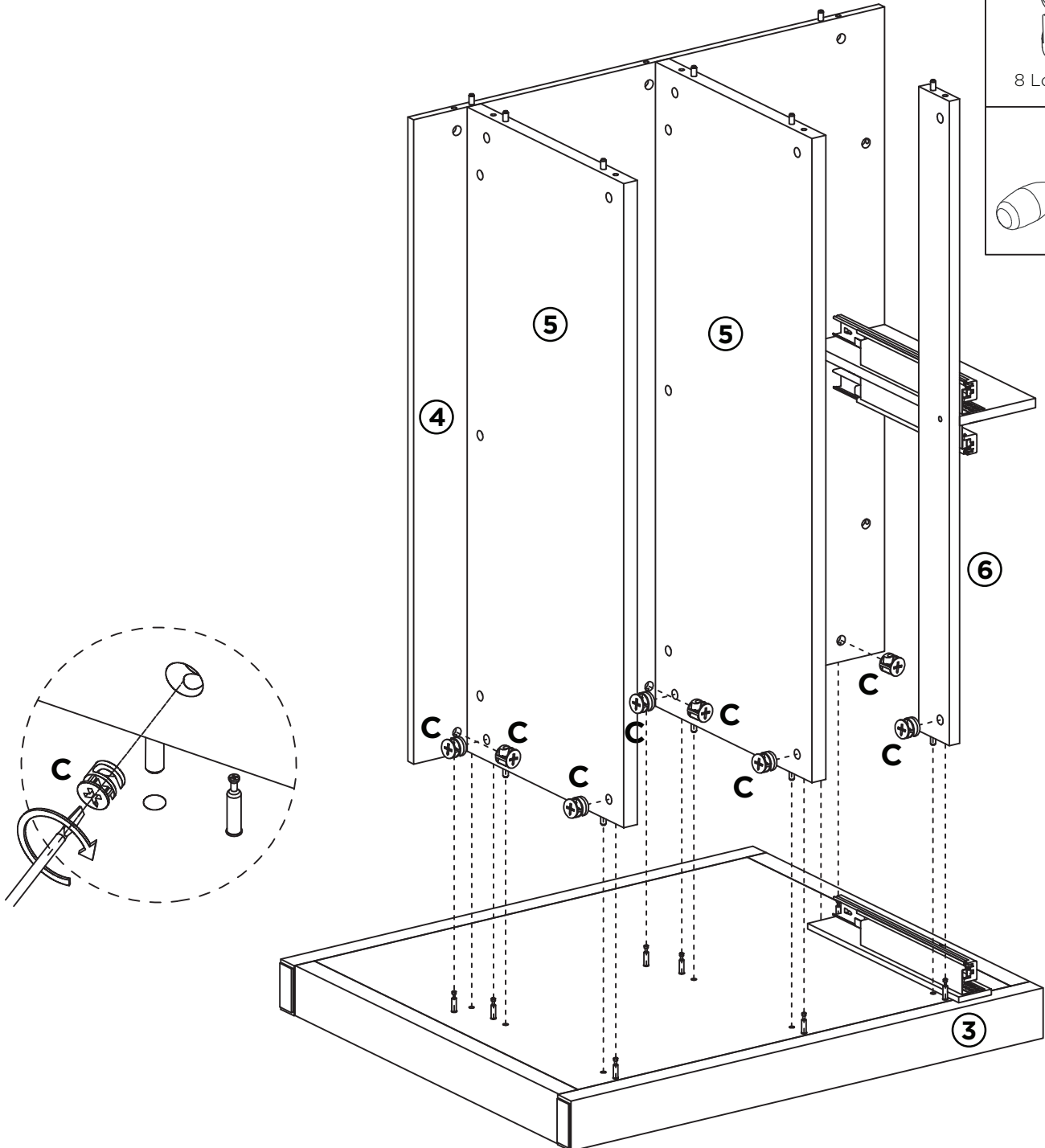
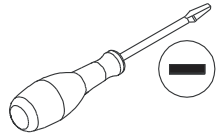
11.

Position the shelf and back panel assembly onto Right Side (3) as shown. Insert 8 x Locking Nuts (C) into Shelf (5) and Rail (6). Turn the Locking Nuts (C) clockwise to lock using a flat head screwdriver.

You will need:

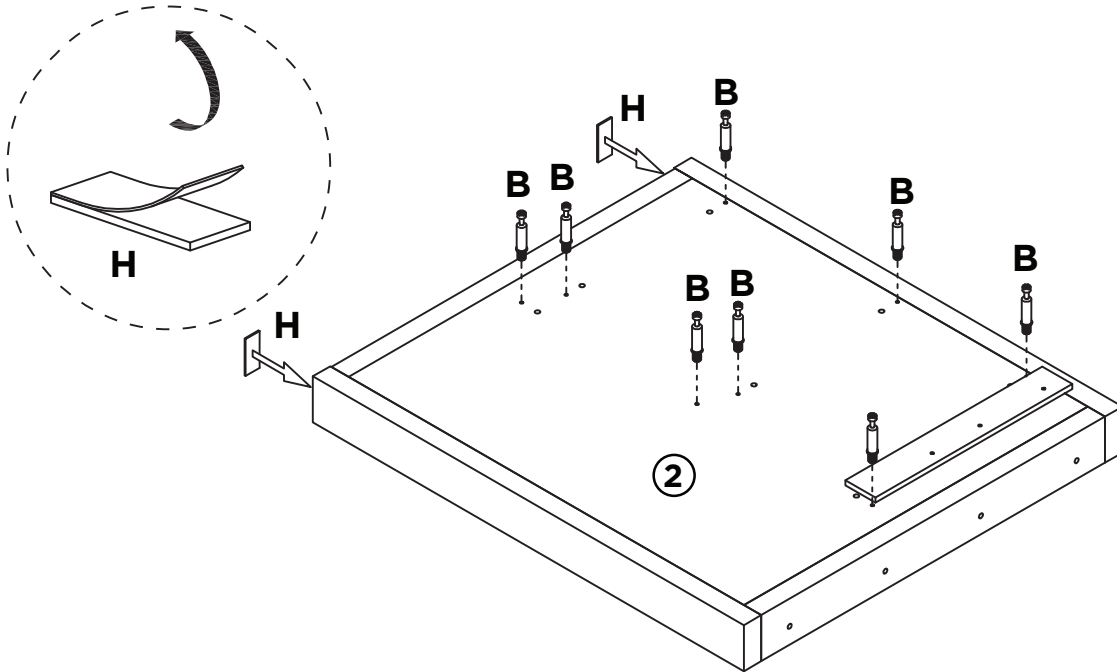


8 Locking Nuts

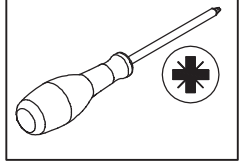
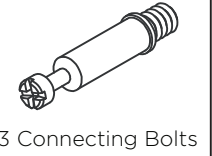


12.

Screw 8 x Connecting Bolts **(B)** into Left Side **(2)**. Paste 2 x Felt Pads **(H)** to the Left Side **(2)** as shown.

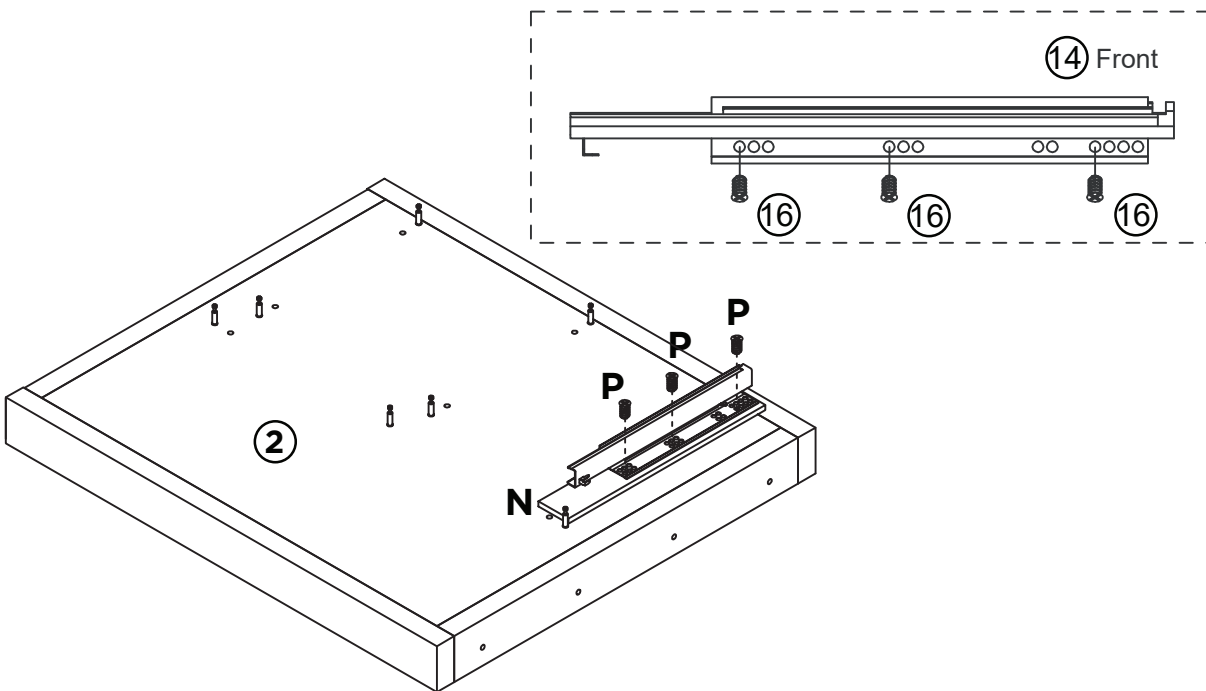


You will need:

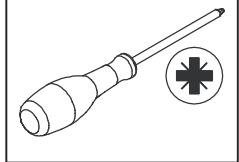
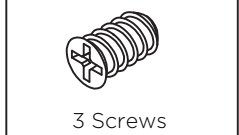
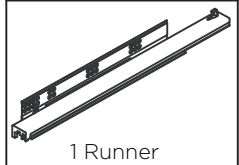


13.

Position Runner **(N)** to the front edge of the runner support rail on the Left Side **(2)**. Fix through holes shown using 3 x Screws **(P)**.



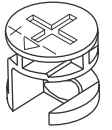
You will need:



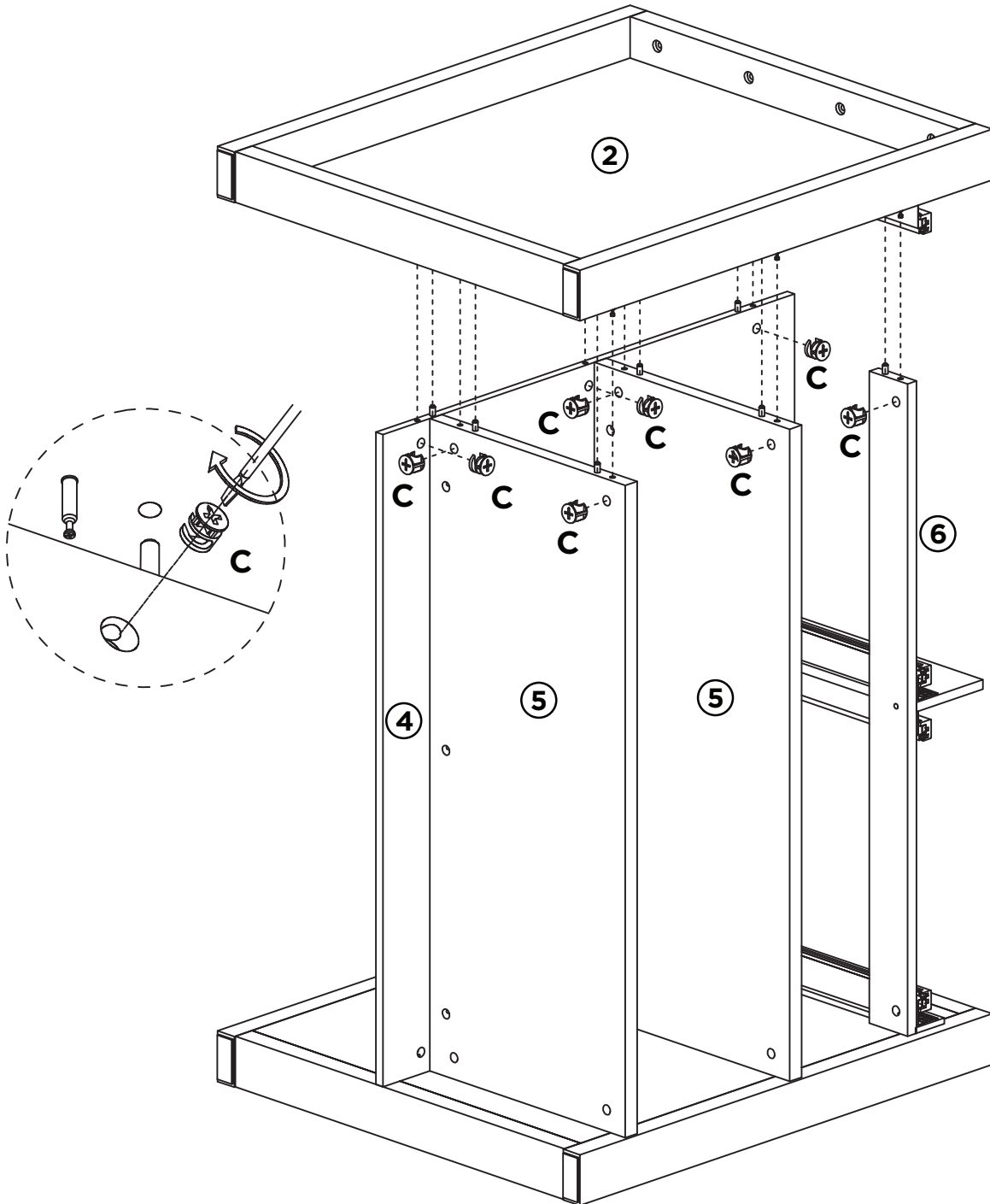
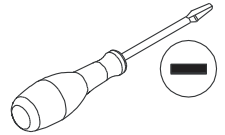
14.

Position Left Side **(2)** onto the back panel and shelf assembly.
Insert 8 x Locking Nuts **(C)** into Shelf **(5)** and Rail **(6)**.
Turn the Locking Nuts **(C)** clockwise to lock using a flat head screwdriver.
With help, carefully turn the assembled unit upright.

You will need:

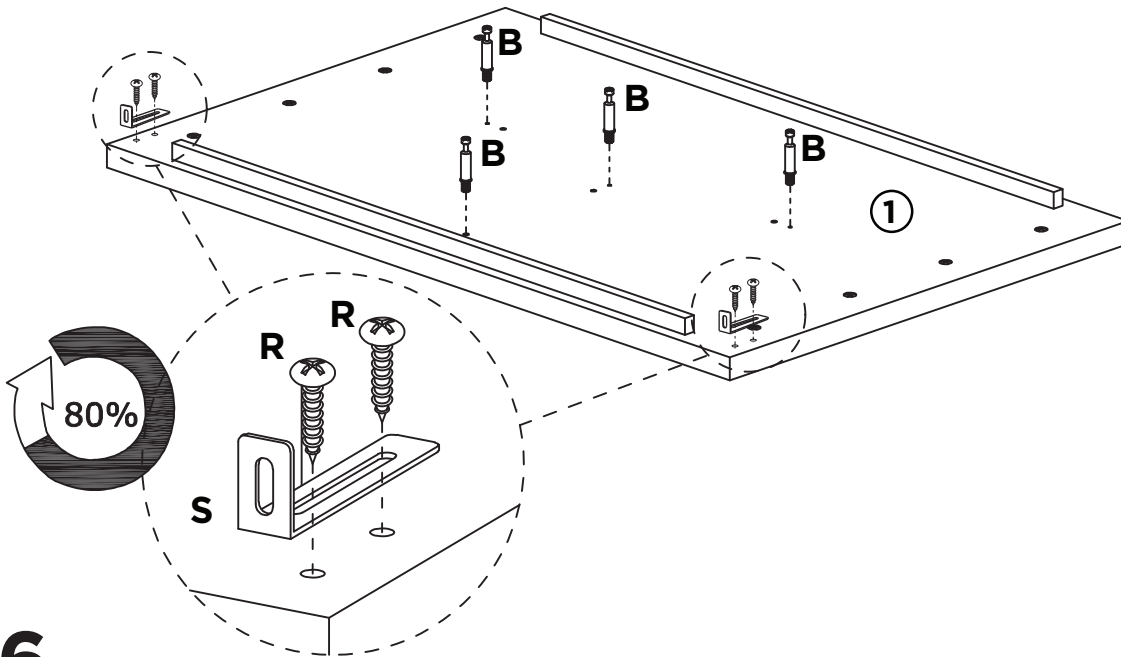


8 Locking Nuts

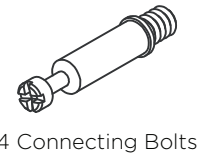


15.

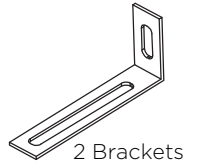
Screw 4 x Connecting Bolts **(B)** into Top Panel **(1)**.
Loosely attach 2 x Brackets **(S)** to Top Panel **(1)** using 4 x Screws **(R)**.



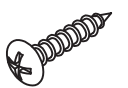
You will need:



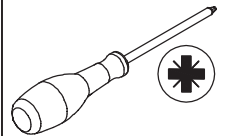
4 Connecting Bolts



2 Brackets

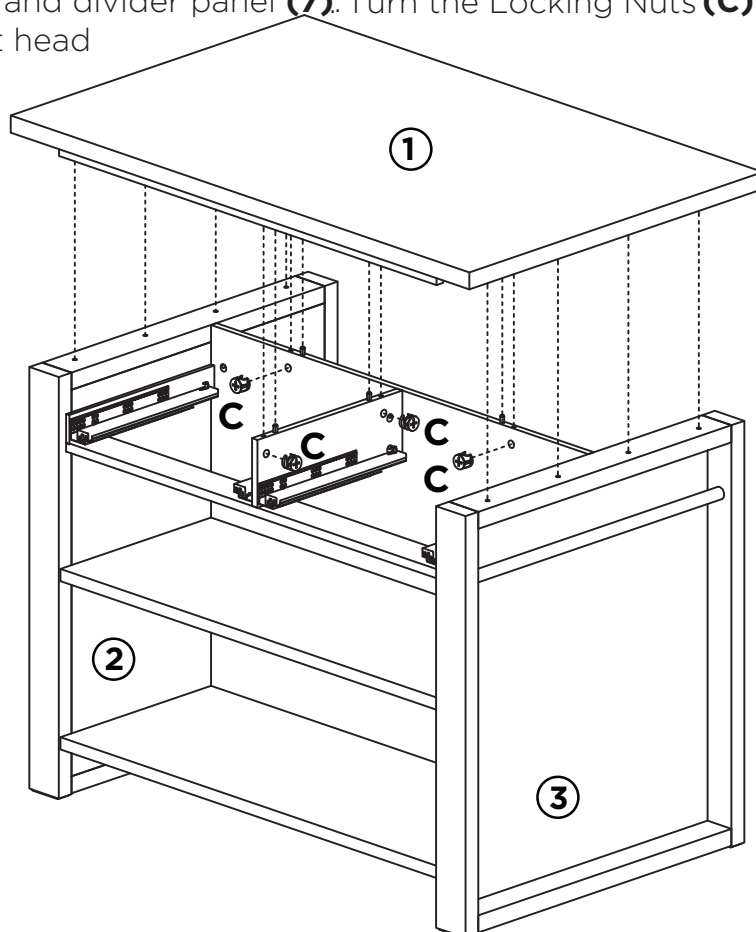
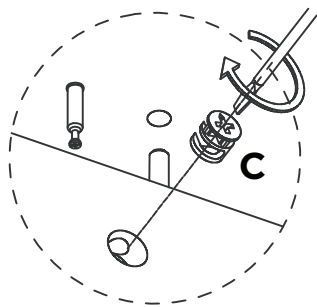


4 Screws

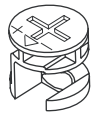


16.

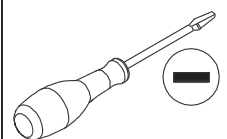
Position Top Panel **(1)** onto the assembled unit as shown. Insert 4 x Locking Nuts **(C)** into Back Panel **(4)** and divider panel **(7)**. Turn the Locking Nuts **(C)** clockwise to lock using a flat head screwdriver.



You will need:

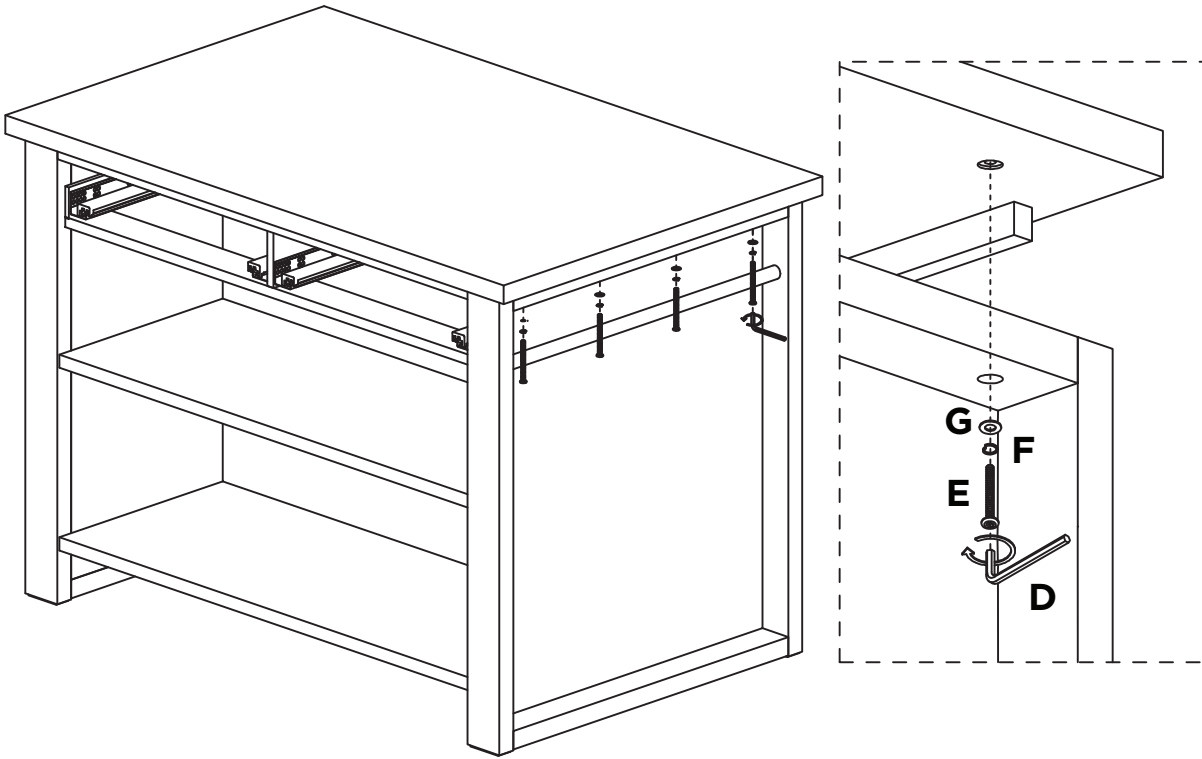


4 Locking Nuts

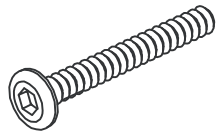


17.

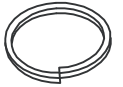
Attach Top Panel (1) to Left Side (2), Right Side (3) with 8 x Bolts (E), 8 x Spring Washers (F) and 8 x Washers (G). Tighten the bolts with Allen Key (D).



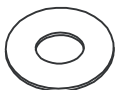
You will need:



8 Bolts



8 Spring Washers



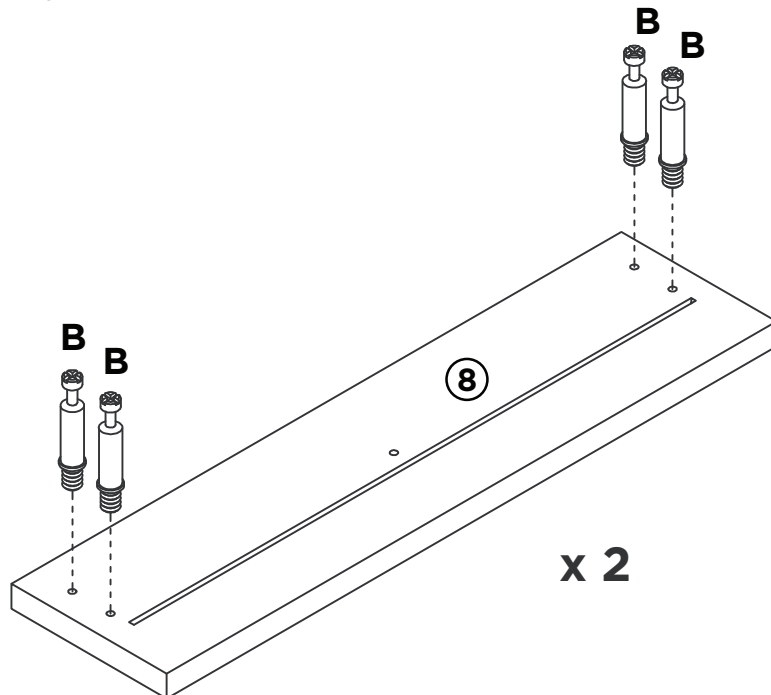
8 Washers



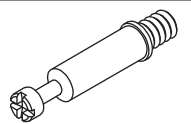
1 Allen Key

18.

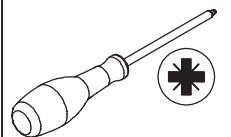
Screw 8 x Connecting Bolts (B) into 2 x Drawer Front (8).



You will need:

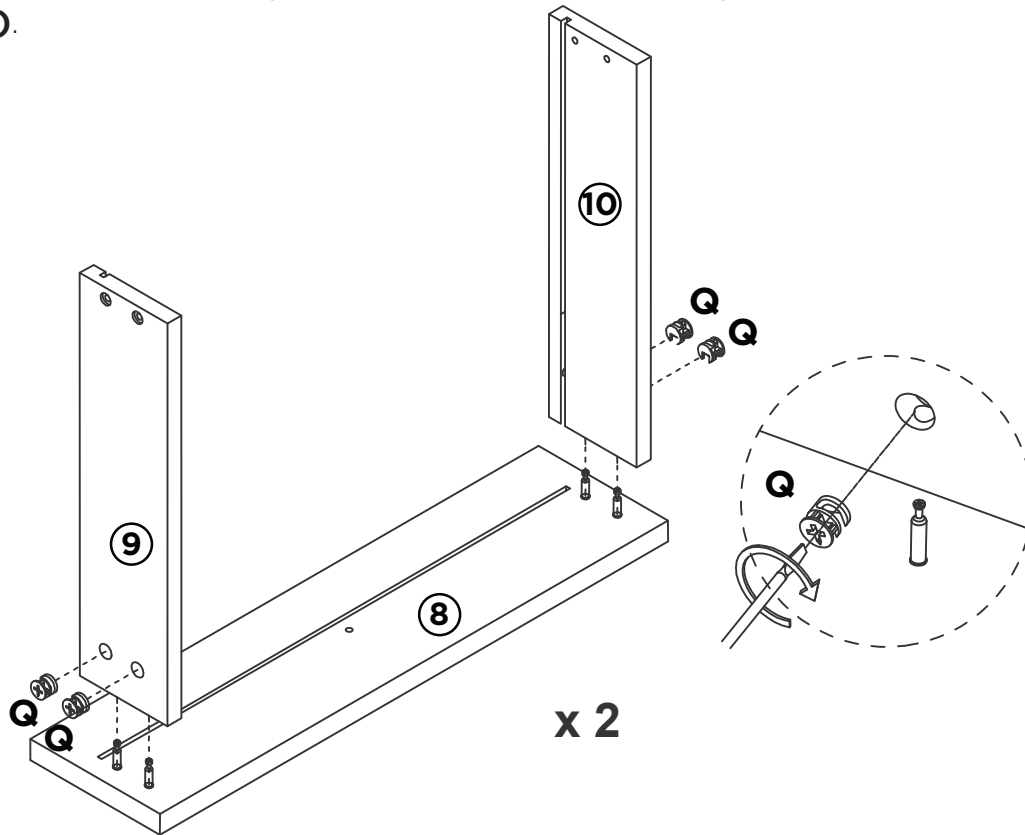


8 Bolts



19.

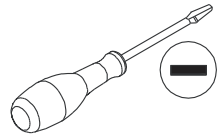
Position Drawer Left **(9)**, Drawer Right **(10)** to the Drawer Front **(8)**. Insert 4 x Locking Nuts **(Q)** into Drawer Left **(9)** and Drawer Right **(10)**. Turn the Locking Nuts **(Q)** clockwise to lock using a flat head screwdriver. Repeat with the remaining Drawer Left **(9)**, Drawer Right **(10)** to the Drawer Front **(8)**.



You will need:

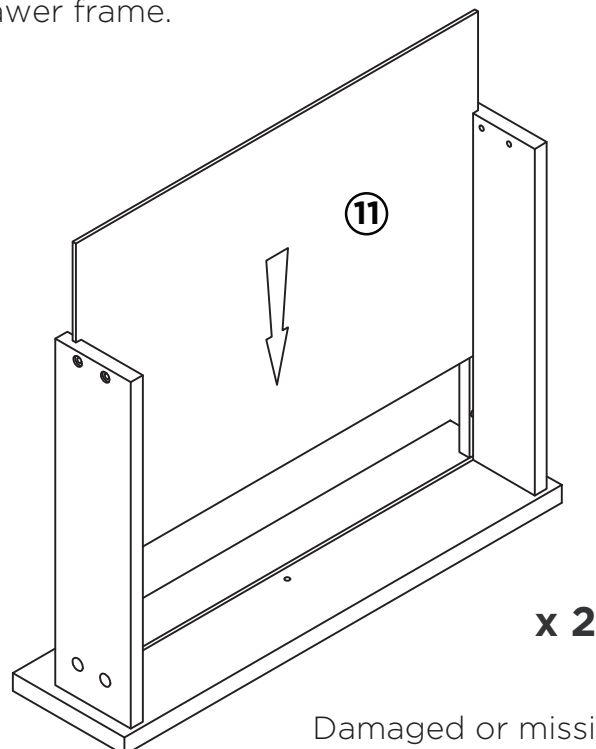


8 Locking Nuts



20.

Slide Drawer Bottom **(11)** to the drawer frame. Repeat with the remaining drawer bottom and drawer frame.

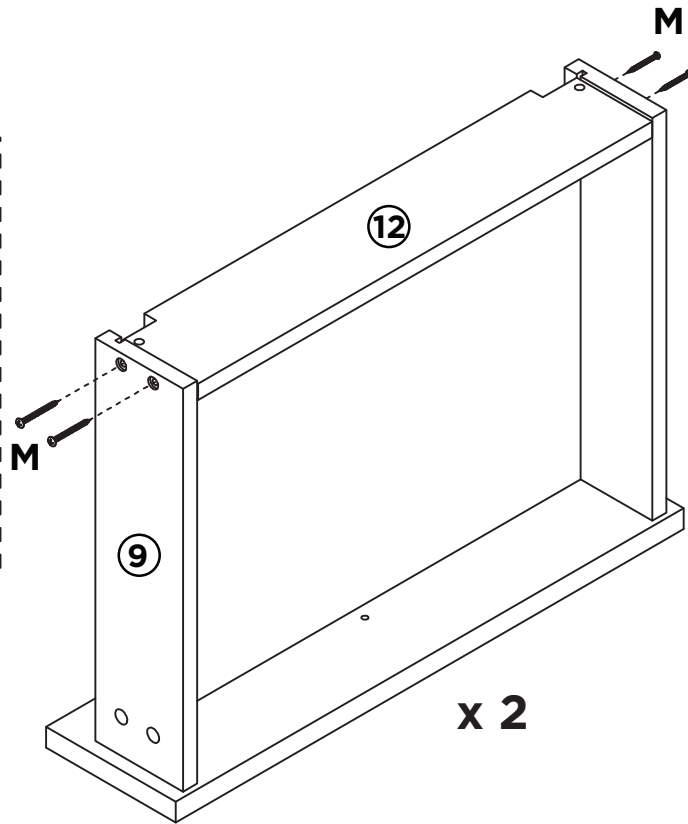
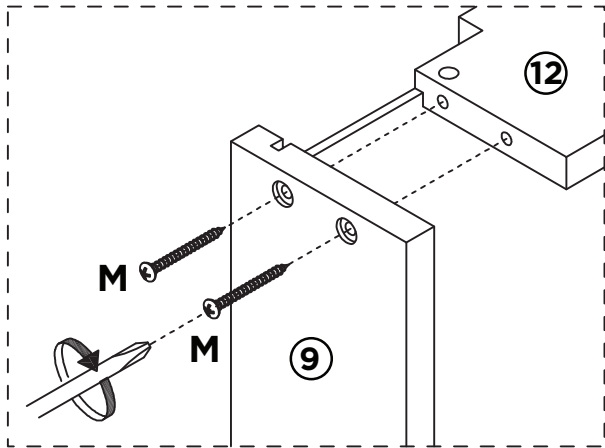


**TEMPLE &
WEBSTER**

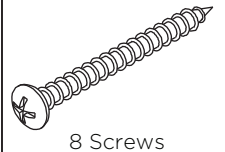
Damaged or missing parts? Or just need help?
Contact us on service@templeandwebster.com.au

21.

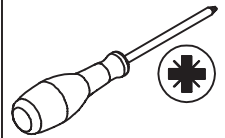
Fix Drawer Back (12) to the drawer frame with 4 x Screws (M).
Repeat with the remaining drawer back and frame.



You will need:

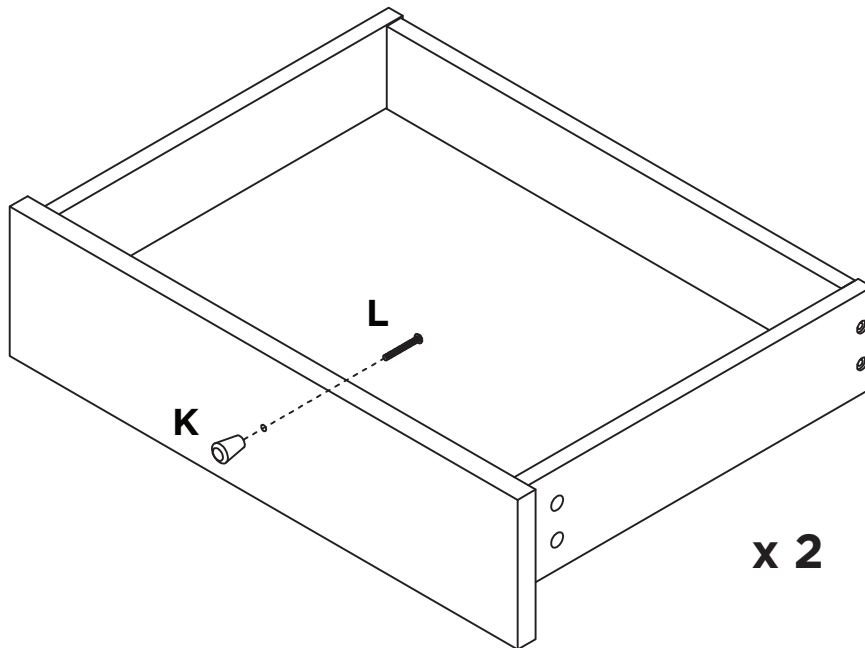


8 Screws

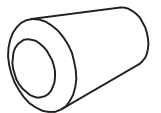


22.

Fix 1 x Knob (K) to the Drawer Front (8) using Bolt (L).
Repeat with the remaining knob and drawer front.



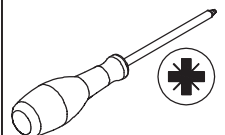
You will need:



2 Knobs



2 Bolts

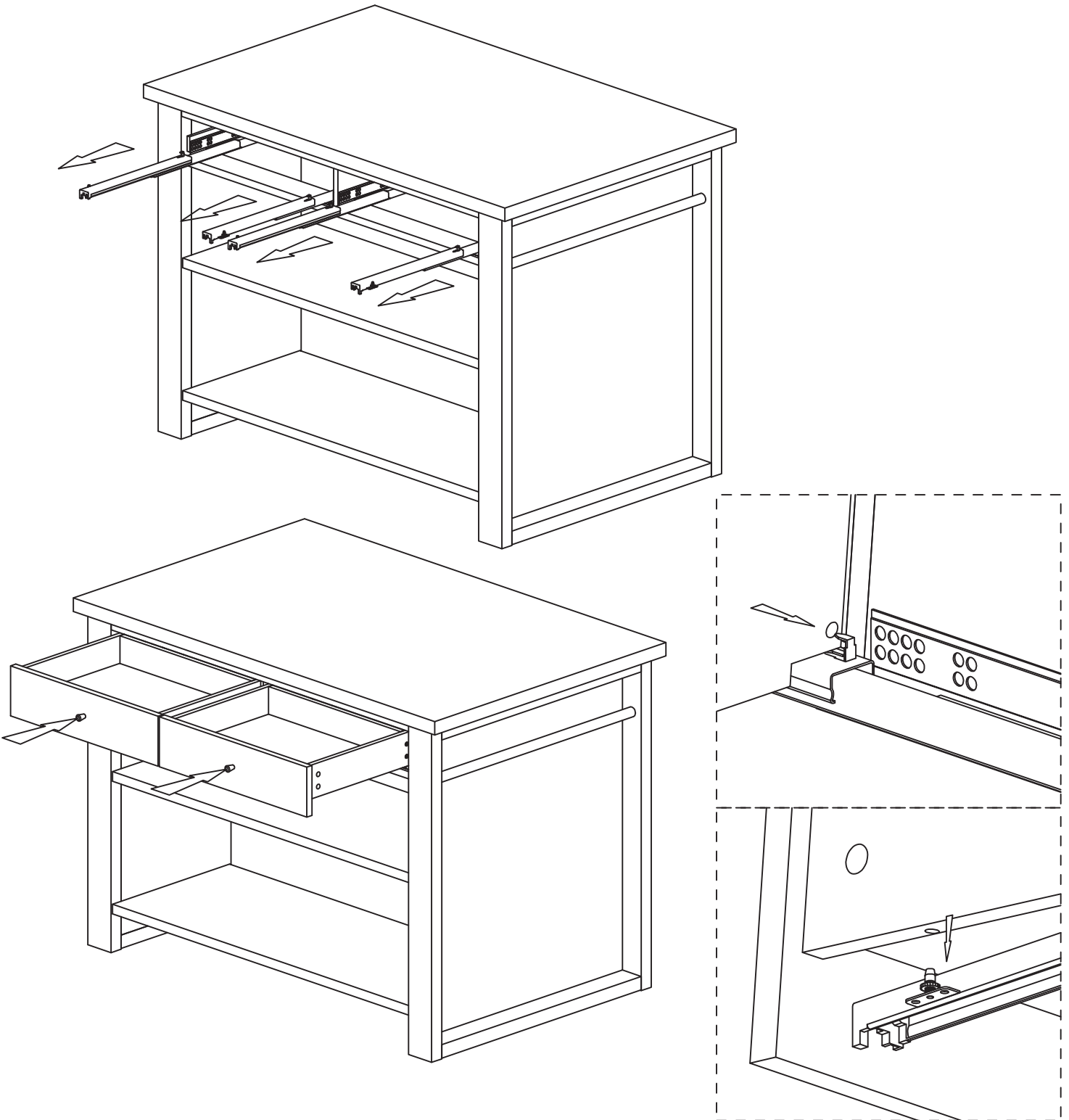


23.

Extend the drawer runners.

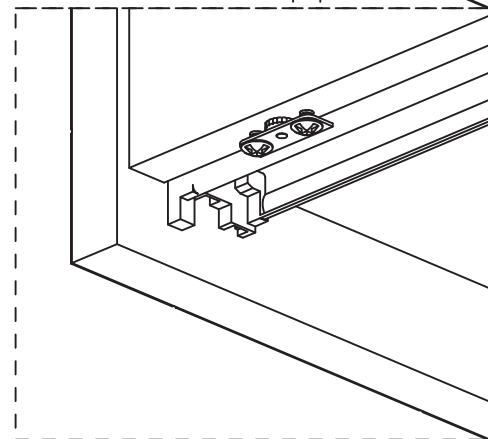
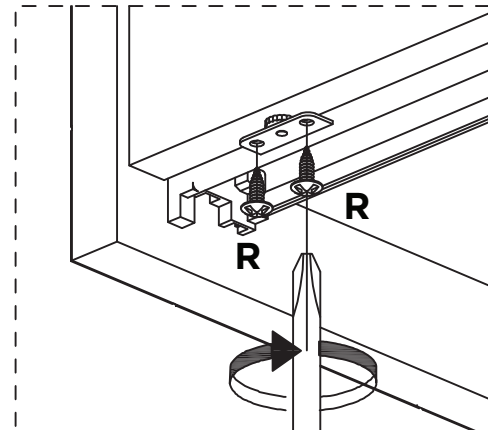
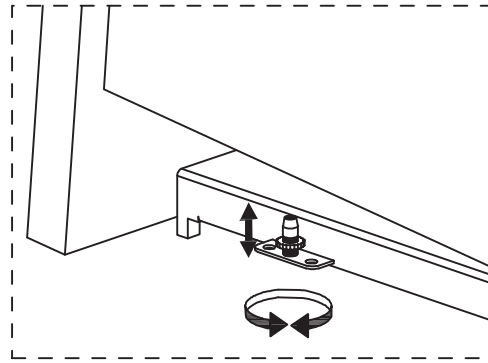
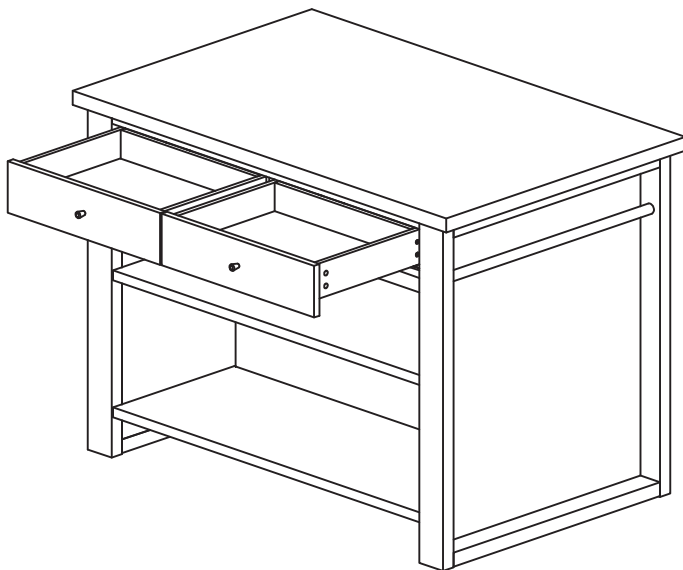
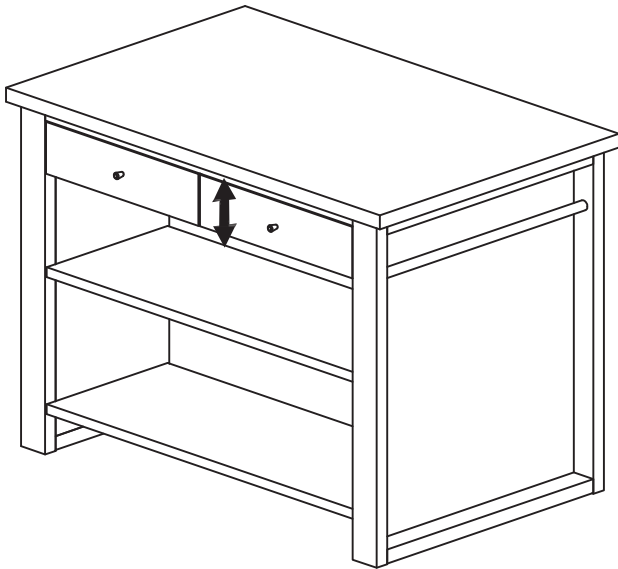
Place a drawer on a set of runners while keeping the drawer front lifted slightly. Slide the drawer into the frame, making sure the tabs at the back of runners are inserted into the drawer. Lower the front of the drawer, making sure that the pins on the runners are inserted into the drawer. Gently slide the drawer to close.

Repeat with the remaining drawer.

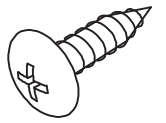


24.

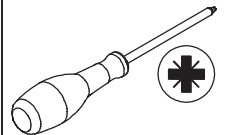
If any of the drawers is misaligned, please adjust the drawer as follows: Open the drawer. Turn the knob at the bottom of the drawer to raise or lower the drawer front. Fix the drawer in place with 2 x Screws **(R)** on each side of the drawer. Reposition drawer on the runners. Gently slide the drawer to close.



You will need:



8 Screws



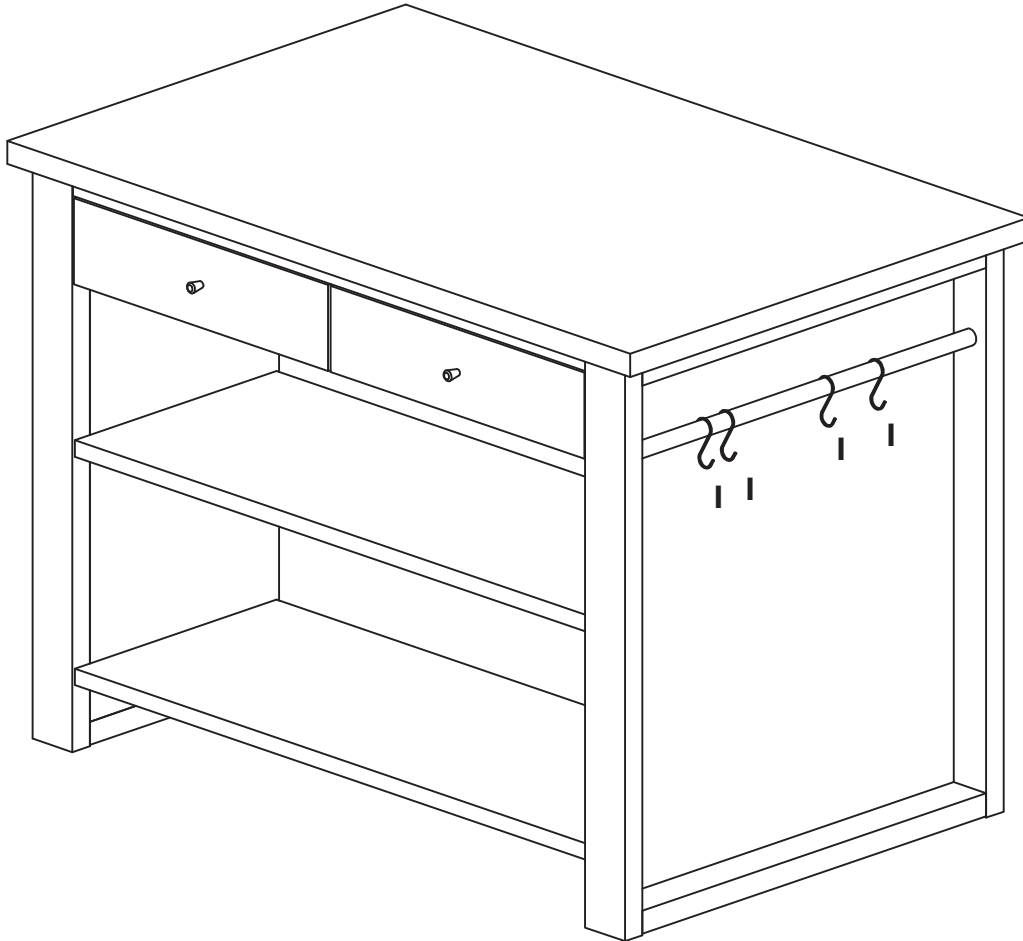
25.

Hang 4 x Hooks (1) onto the rod on Right Side (3).

You will need:



4 Hooks

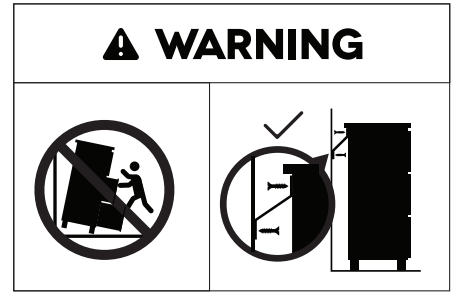


26.

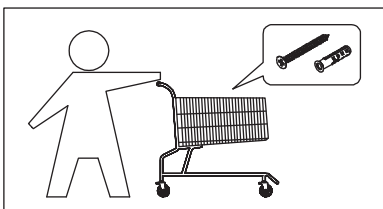
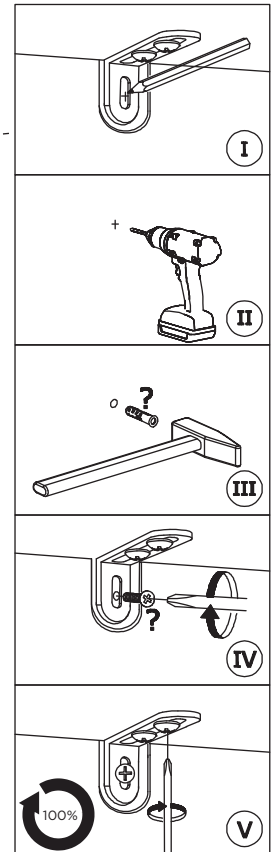
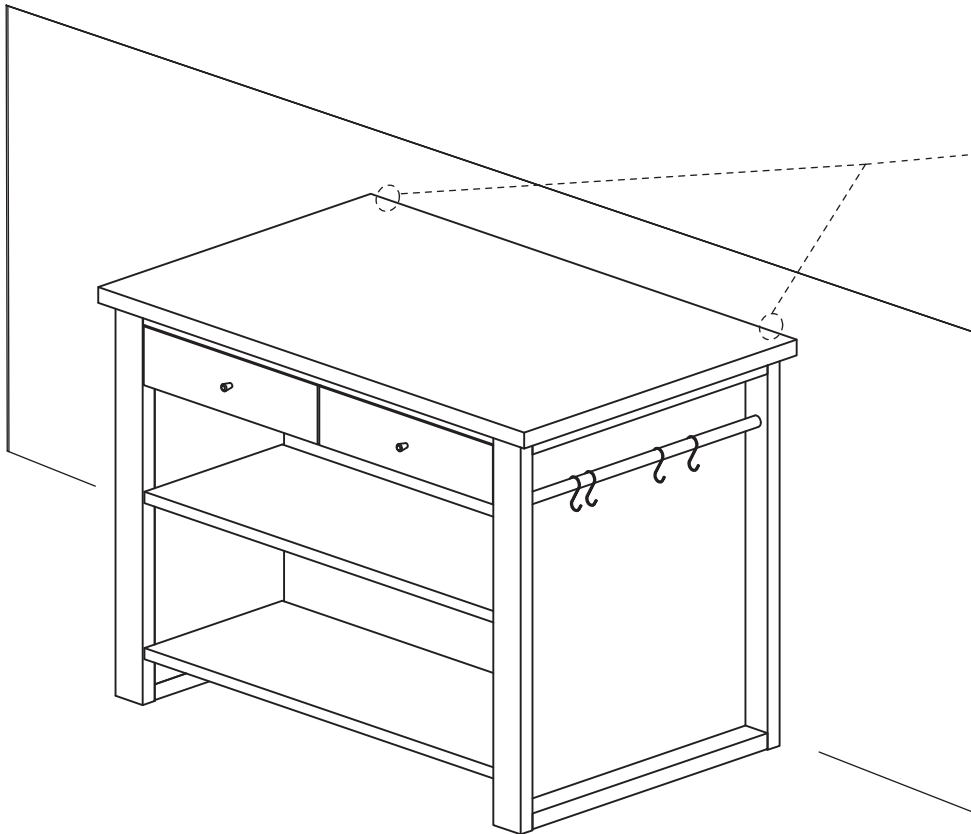
Anti-toppling warning:

Children have died from furniture tipover.

- ALWAYS secure it with an anchor device.
- NEVER allow children to stand, climb or hang on drawers, doors or shelves.
- NEVER open more than one drawer at a time
- Place heavy items down low.
- For advice on suitable fastening devices, contact your local specialized dealer.



For more information, visit <https://www.productsafety.gov.au>



With help, move Bench into position.
Mark fixing hole on wall and remove Bench.
Drill holes and insert wall plugs.
Reposition Bench and fix it to wall using recommended screws.
Fully tighten screws on L-brackets.

27.

