

Thea Reversible Chaise

Read first, enjoy forever

Assembly tips

- Assemble your product on a level surface and lay something soft underneath to protect potential floor damage.
- Don't over tighten screws. During assembly we recommend tightening to approximately 70% tightness. Only tighten hardware 100% when fully assembled.
- Keep children away from assembly area as bags and small parts can pose a choking hazard.
- Make sure you have enough space to layout parts before starting. We recommend assembling your item in its final location.
- Do not stand on or put weight on the parts as it may warp or damage product.
- We do not recommend the use of drills or power tools (unless specified) as it may damage the product or hardware. Use hand held screwdrivers only.
- It is best that two people assemble the product as some products may be too heavy for one person. Check this booklet for guidance.

Safety, care and maintenance

- To reduce the risk of injury, always secure storage furniture to walls and/or floors by using tip-over restraints.
- Never let children climb or hang on drawers, doors or shelves.
- To protect your product and your home, we recommend using coasters, placemats, rugs and other protective items.
- Screws may loosen over time. We recommend setting a reminder to tighten up every six months.
- Remove any liquid spills immediately using a clean cloth with mild detergent. Do not use bleach or abrasive cleaners. Always test any cleaning agent in an inconspicuous spot first to know if it is suitable.

Recycling

We hope that you love your product forever, but we know situations change. In the event that you wish to dispose of your product please consider some creative ways to give it a new home:

- If it's still in great shape, sell it on your favourite online marketplace!
- Give it a second life by affording it a fresh coat of paint.
- If you must dispose of it, why not donate it to your local charity or shelter for someone else to enjoy.

Please dispose of this product and packaging responsibly and recycle where possible. Scan the QR code to read more about Temple and Webster's commitment to a more sustainable future.



Parts list

ASSEMBLY INSTRUCTIONS

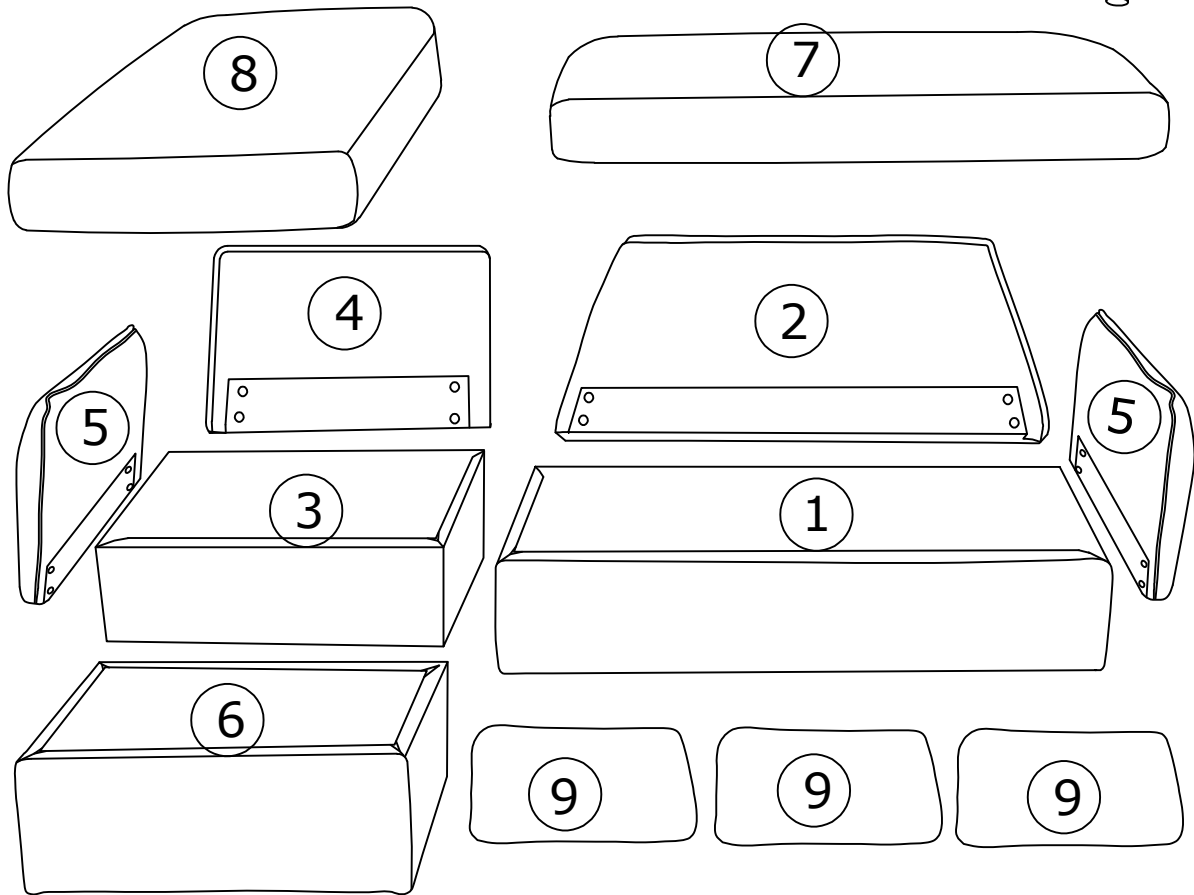
Thea Reversible Chaise




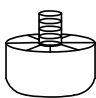
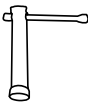

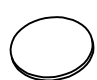
AATH3CNT/AATH3CSF

NUMBER OF PEOPLE REQUIRED FOR ASSEMBLY:

2

TOOLS REQUIRED FOR ASSEMBLY



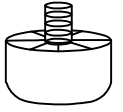
<p>Ax16</p>  <p>M8x60mm</p>	<p>Bx16</p>  <p>M8</p>	<p>Cx16</p>  <p>M8x25mm</p>	<p>Dx10</p>  <p>H3xØ6cm</p>	<p>Ex1</p> 	<p>Fx10</p> 	<p>Gx10</p>  <p>Ø25mm</p>
---	--	---	---	--	--	---

1.

- 1) Attach the 4x Legs(D) into the Backrest(2&4) with 4x Spacers(F) and 4x Felts(G).
- 2) Attach the 1x Leg(D) into the 2 Seater Sofa(1) with 1x Spacer(F) and 1x Felt(G).
- 3) Attach the 1x Leg(D) into the 1 Seater Sofa(3) with 1x Spacer(F) and 1x Felt(G).
- 4) Attach the 4x Legs(D) into the Ottoman(6) with 4x Spacers(F) and 4x Felts(G).

You will need:

Dx10



H3xØ6CM

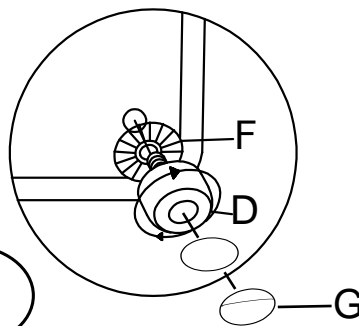
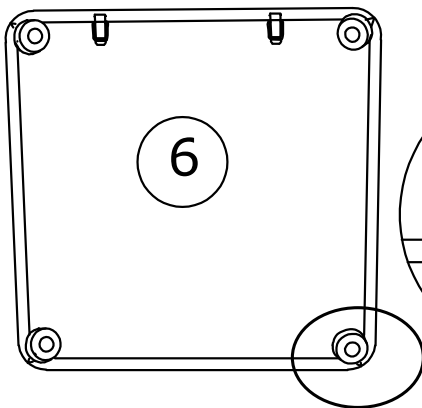
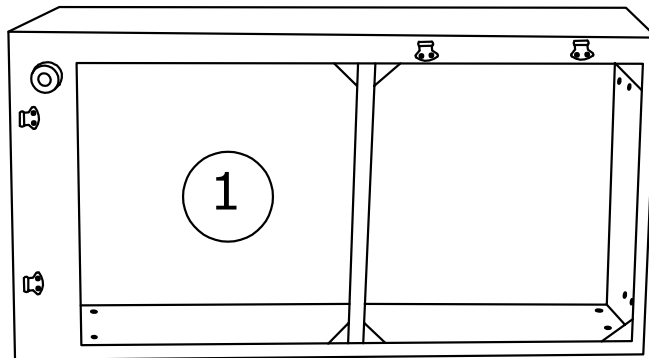
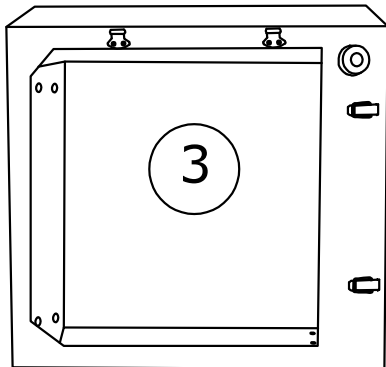
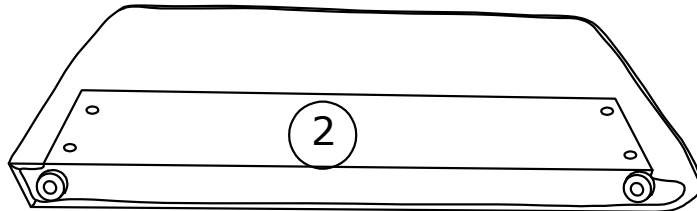
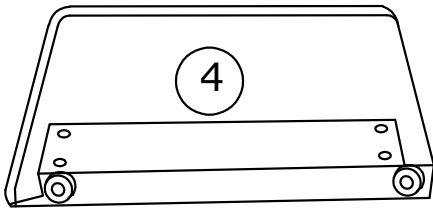
Fx10



Gx10



Ø25mm



2.

- 1) Attach the 8 x Bolts(A) into the 2x Backrests(2&4).
- 2) Attach the 8 x Bolts(A) into the 2x Armrests(5).

You will need:

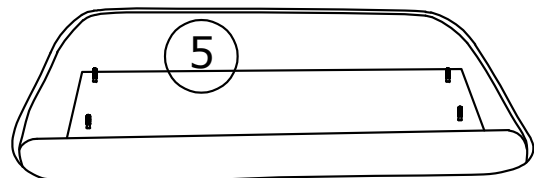
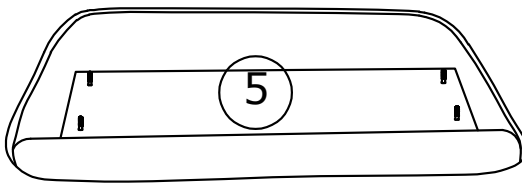
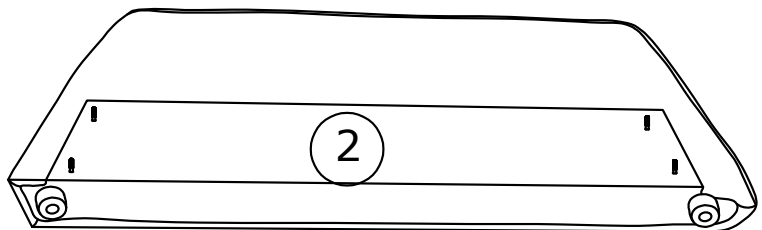
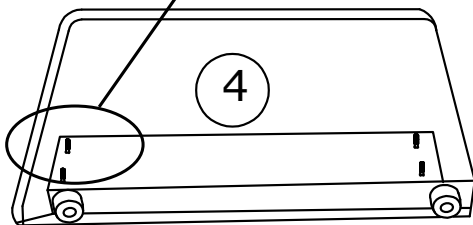
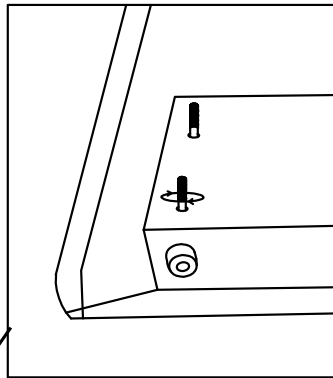
Ax16



M8x60mm

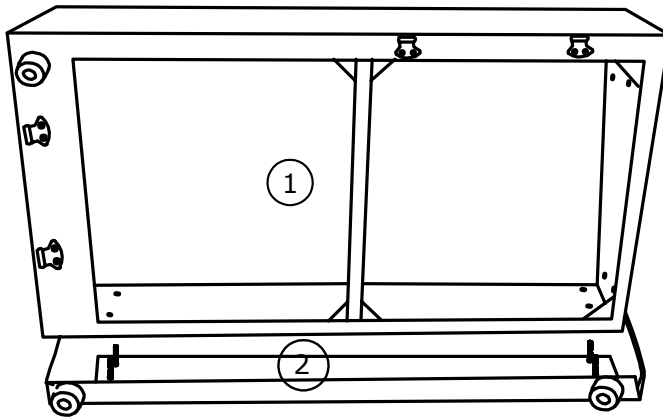
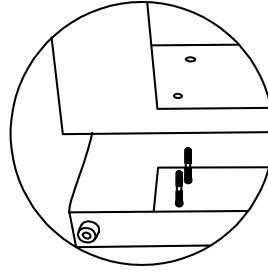


Screw short side into piece



3.

1) Attach the Backrest(2) into the Sofa(1) ,
then, attach 4x Spacers(C) into the Bolts(A) with 4x Nuts(B).



You will need:

Bx4



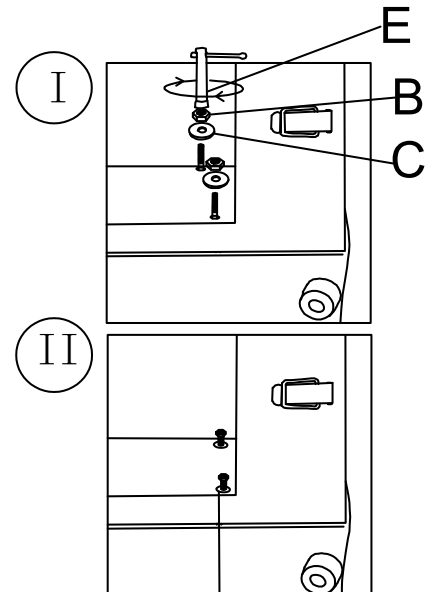
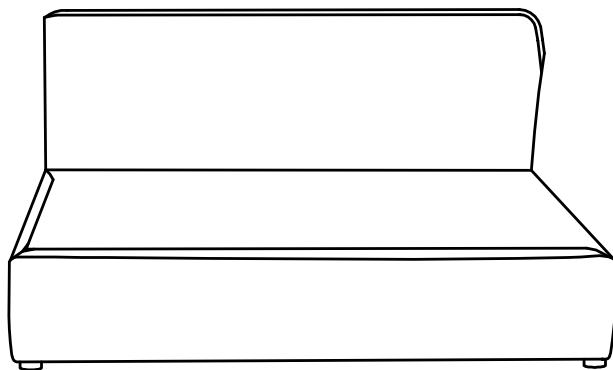
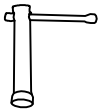
M8

Cx4



M8X24MM

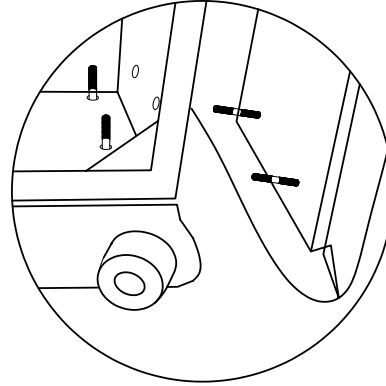
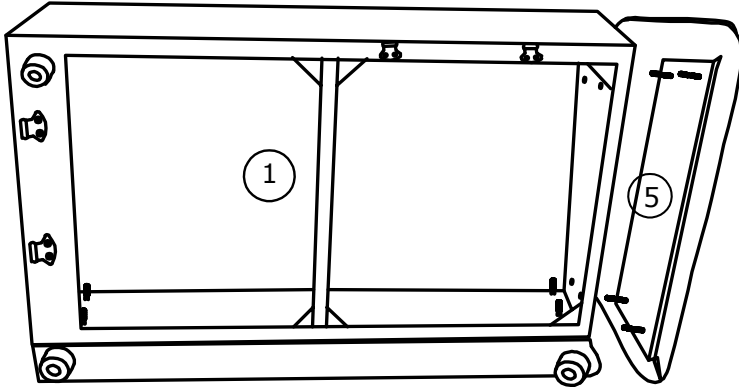
Ex1



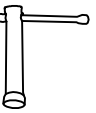


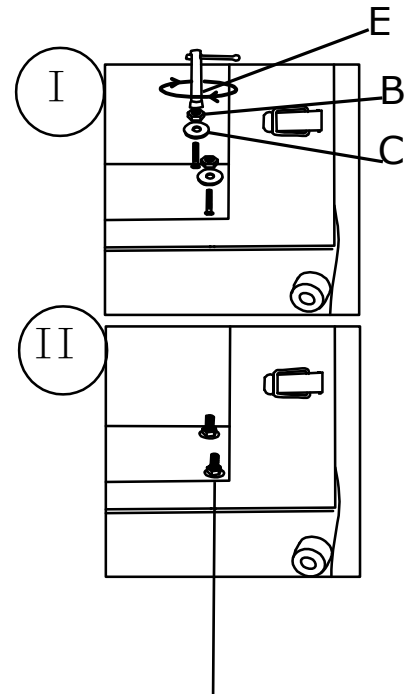
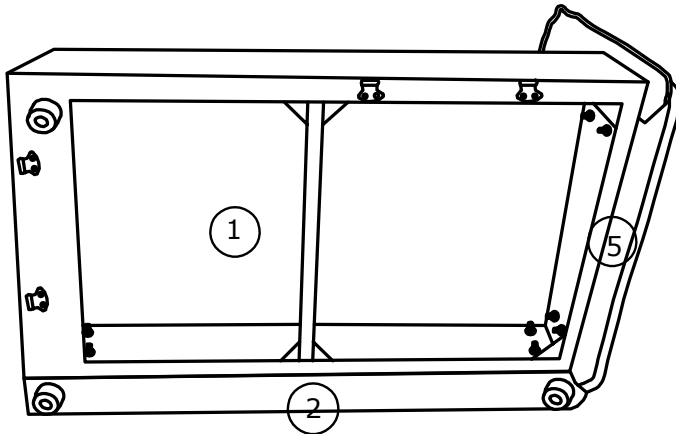
Noted:Nuts should be tightened 30%
so that next step assemble the
armrest easily.

4.

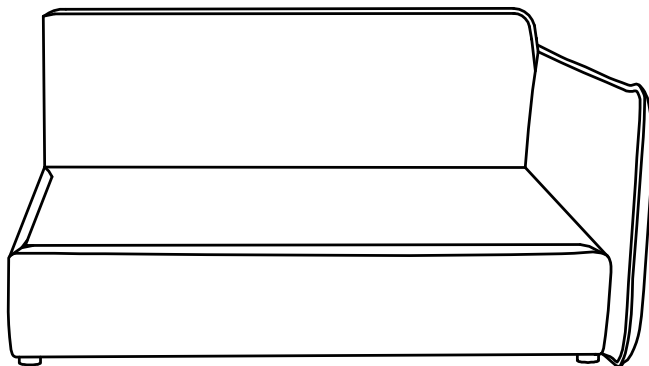
- 1) Attach the Armrest(5) into the Sofa(1).
then, attach 4x Spacers(C) into the Bolts(A) with 4x Nuts(B).
- 2) Tighten all the nuts.



You will need:
Bx4 
M8
Cx4 
M8X24MM
Ex1 

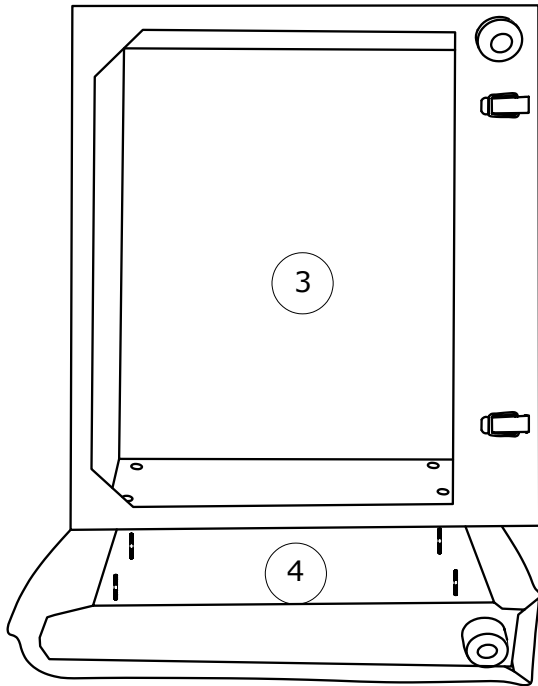


Noted:Nuts should be tightened 100%



5.

1) Attach the Backrest(4) into the Sofa(3) , then attach 4x Spacers(C) into the Bolts(A) with 4x Nuts(B).



You will need:

Bx4

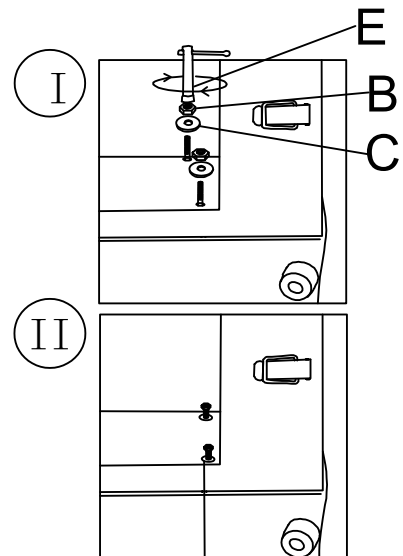
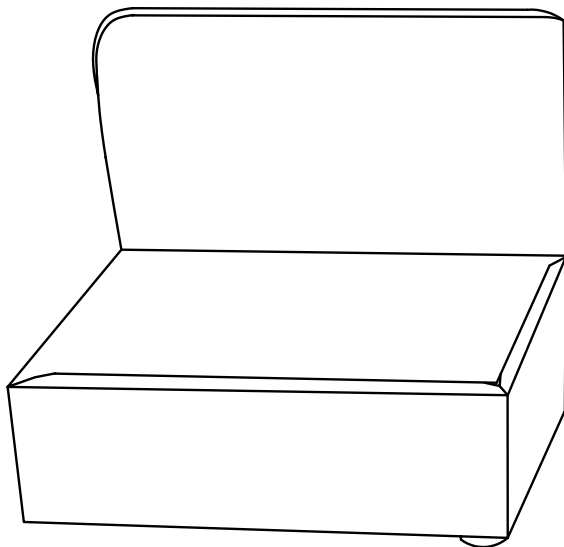


M8

Cx4



Ex1



Noted:Nuts should be tightened 30% so that next step assemble the armrest easily.

6.

- 1) Attach the Armrest(5) into the Sofa(3) ,then attach 4x Spacers(C) into the Bolts(A) with 4x Nuts(B).
- 2) Tighten all the nuts.

You will need:

Bx4

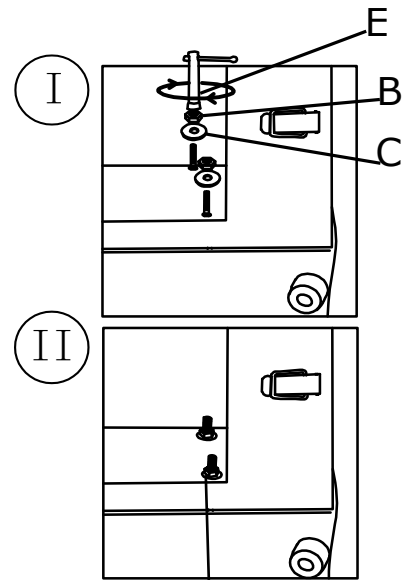
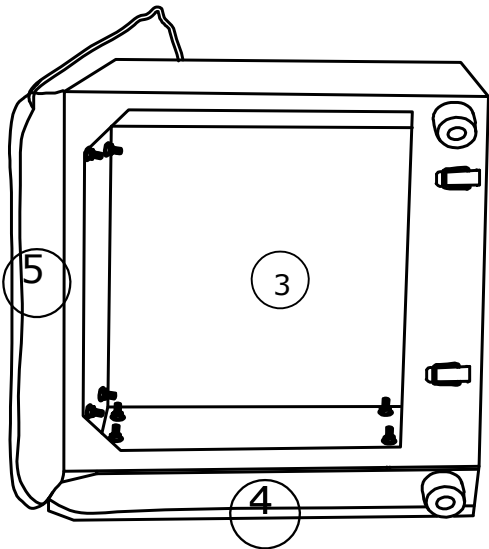
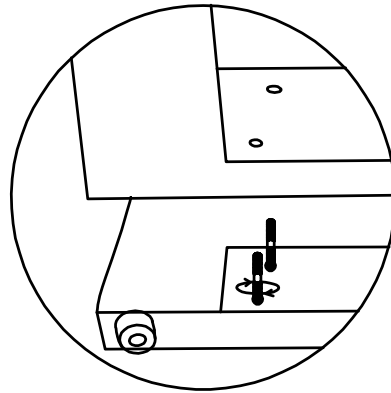
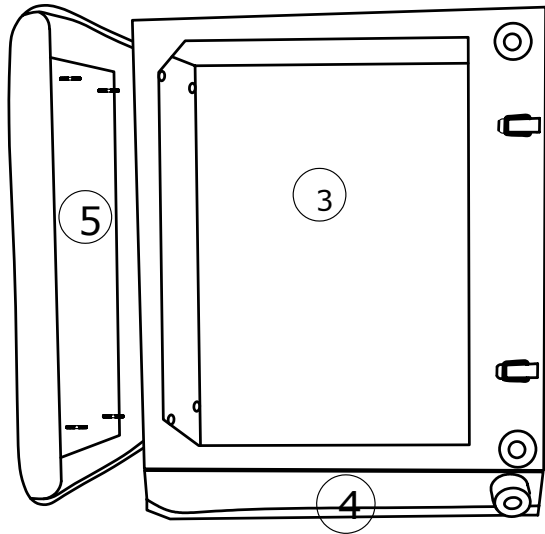


M8

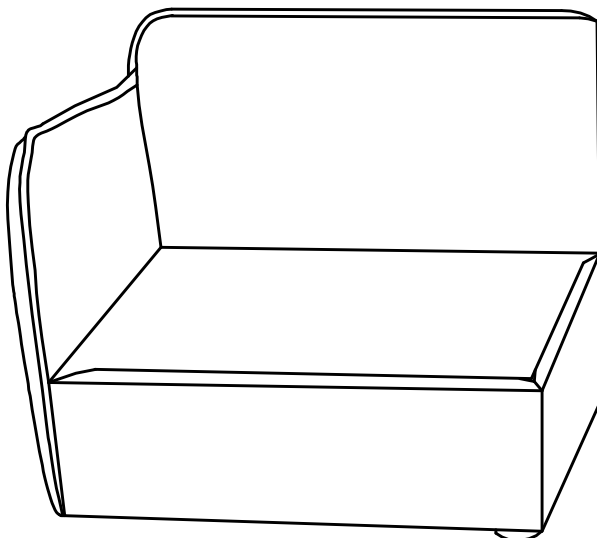
Cx4



Ex1

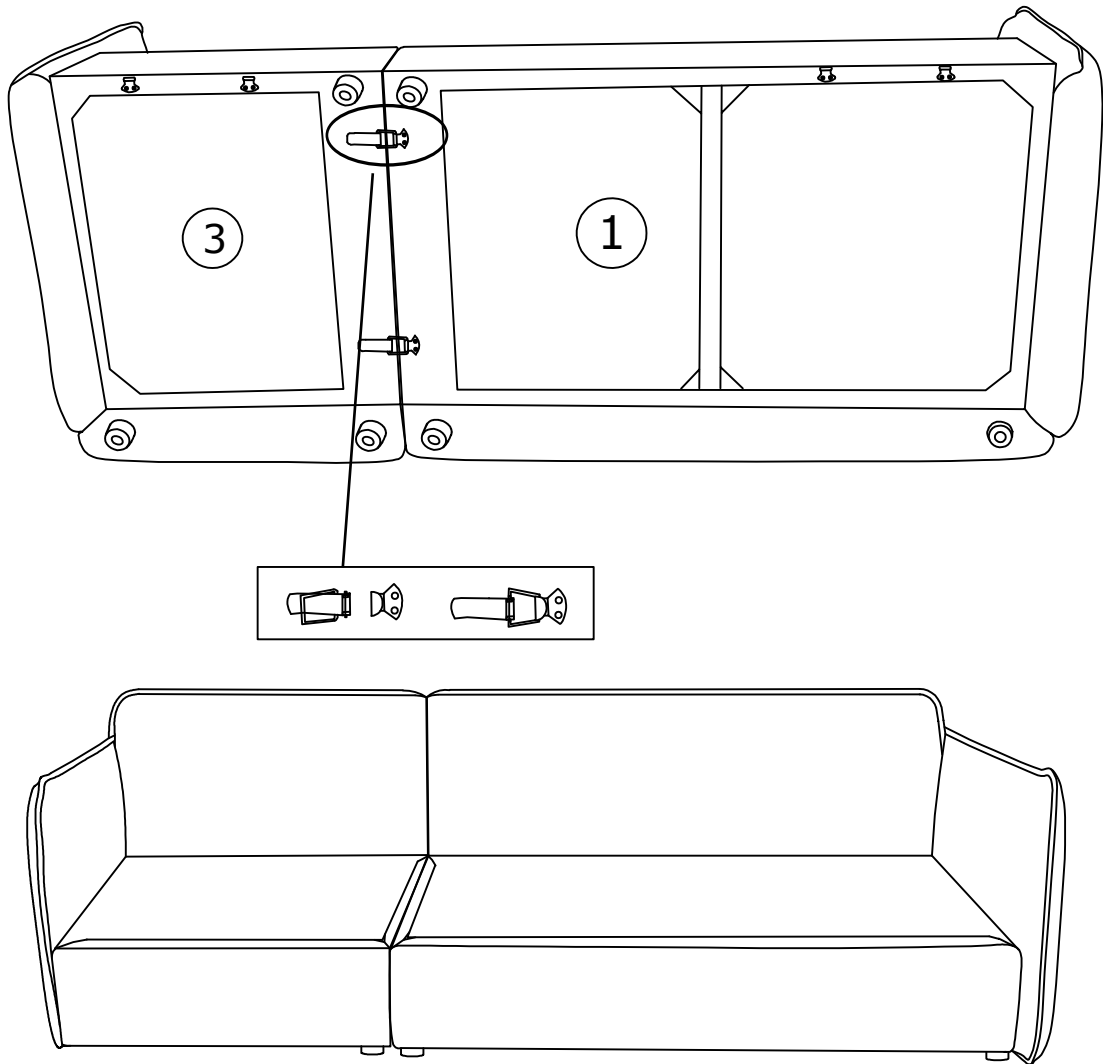


Noted:Nuts should be tightened 100%



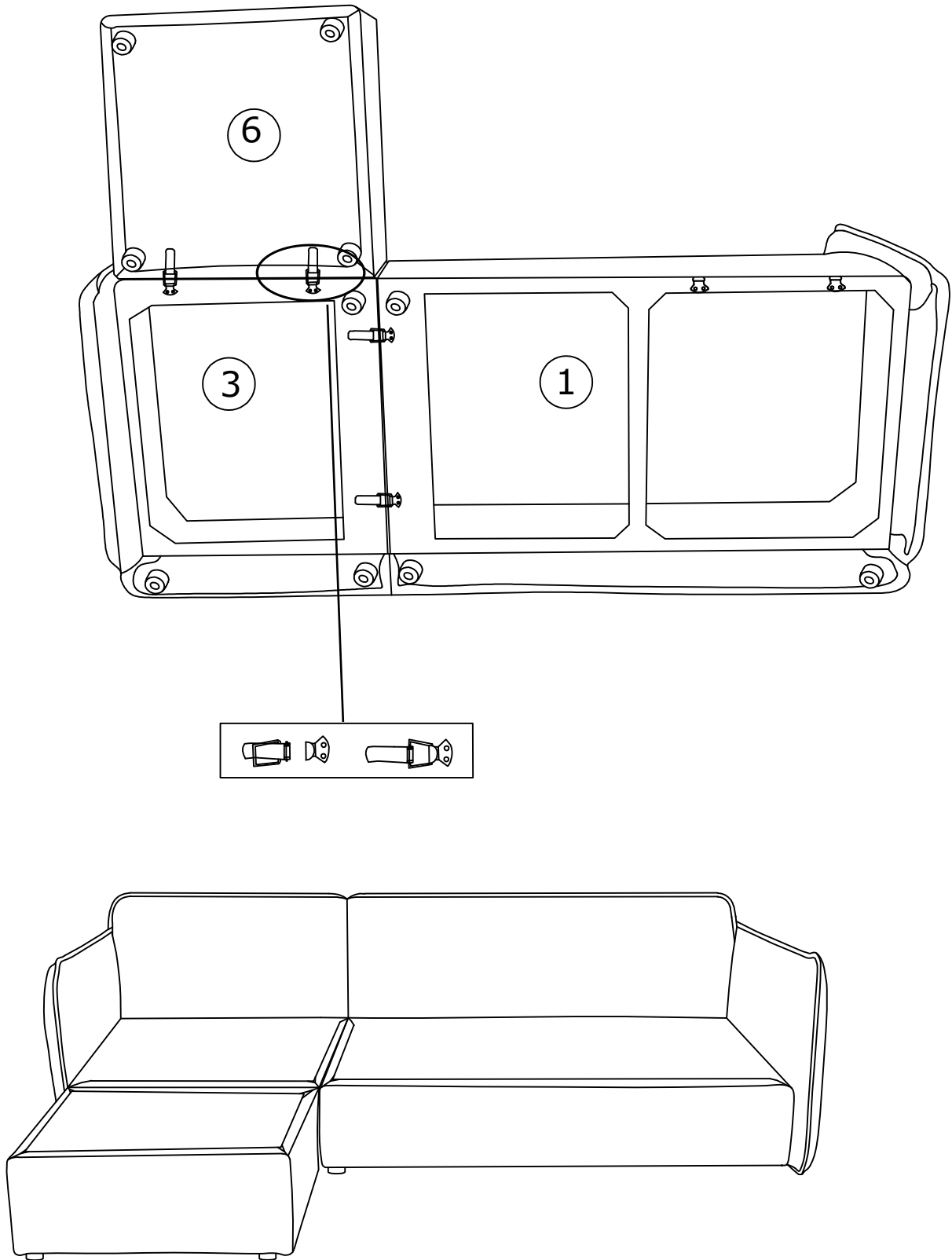
7.

Tighten the buckle and connect 2 Seater Sofa(1) and 1 Seater Sofa(3).

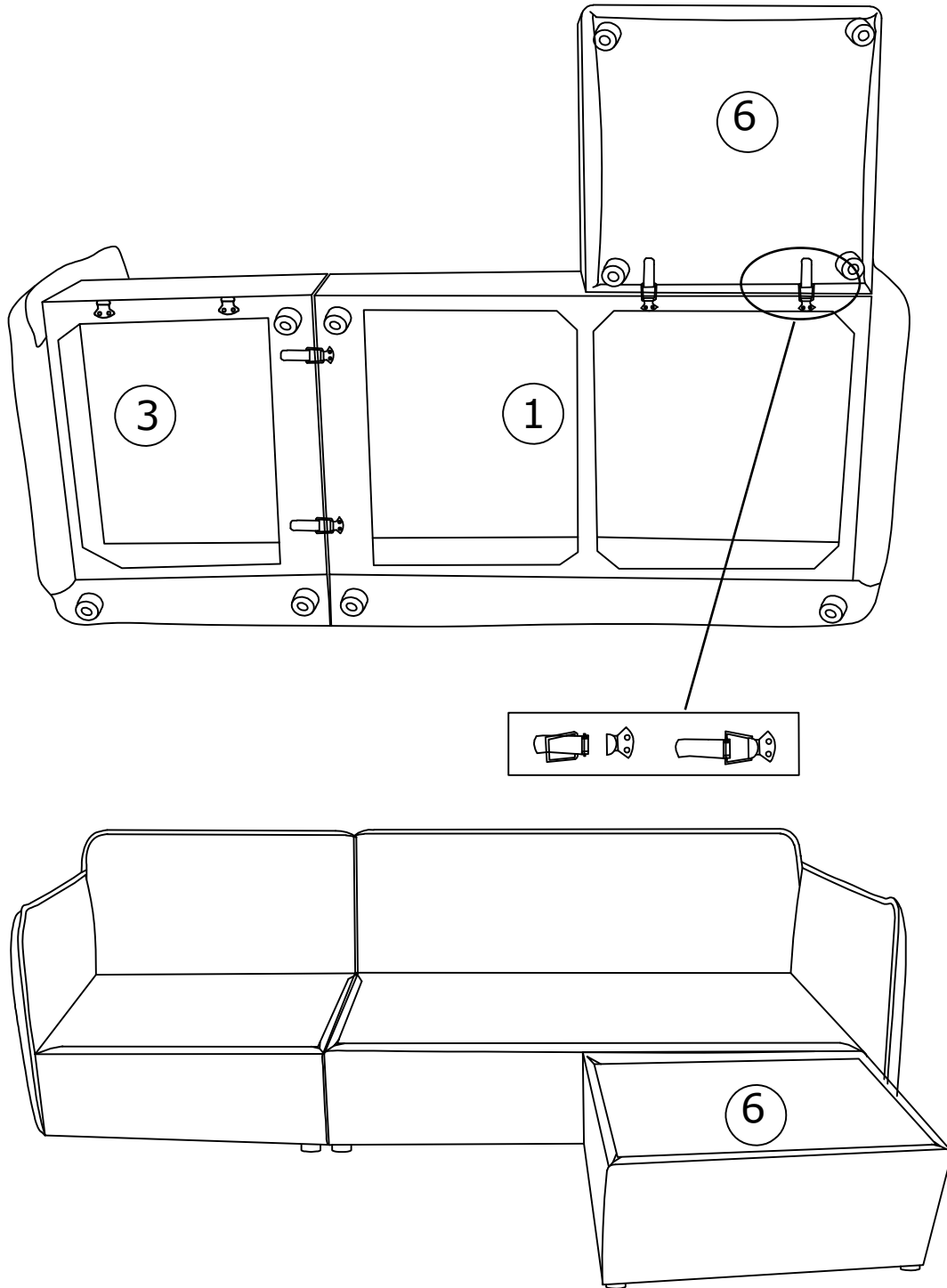


8.

Tighten the buckle , connect the Ottoman(6) and 1 Seater Sofa(3)

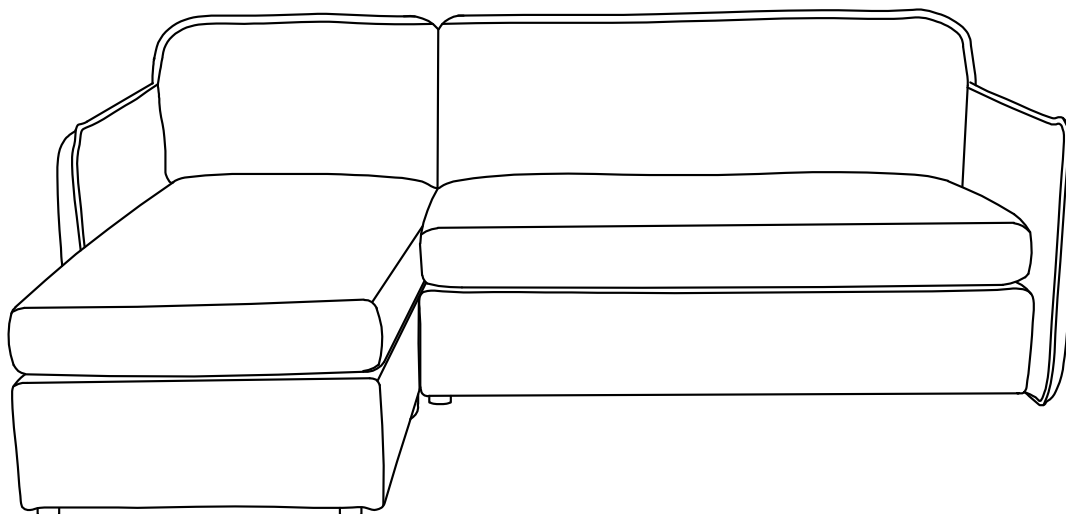
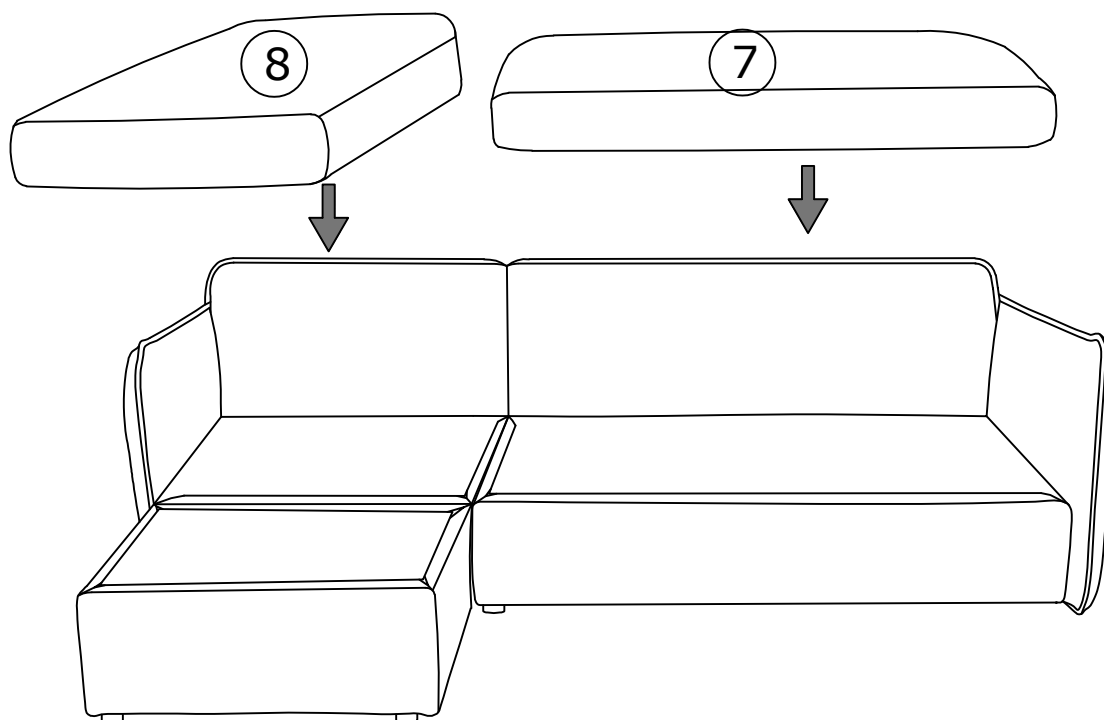


9. Tighten the buckle , connect the Ottoman(6) and 2 Seater Sofa(1).



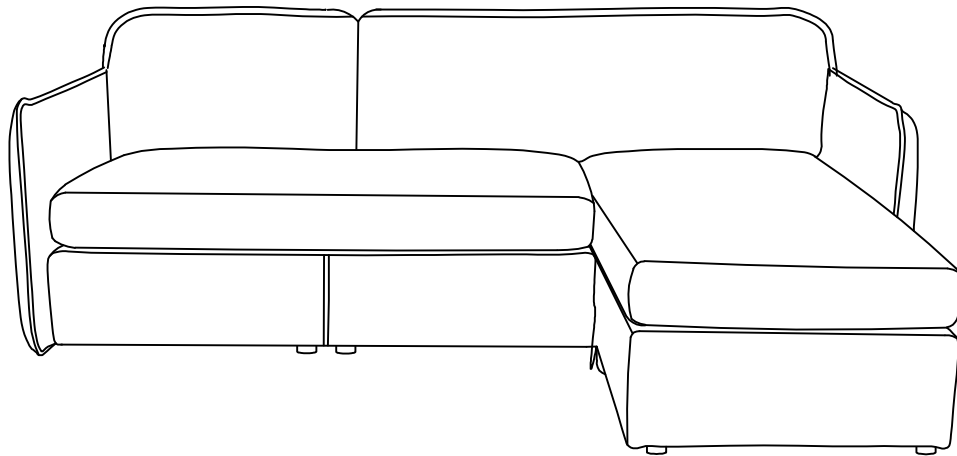
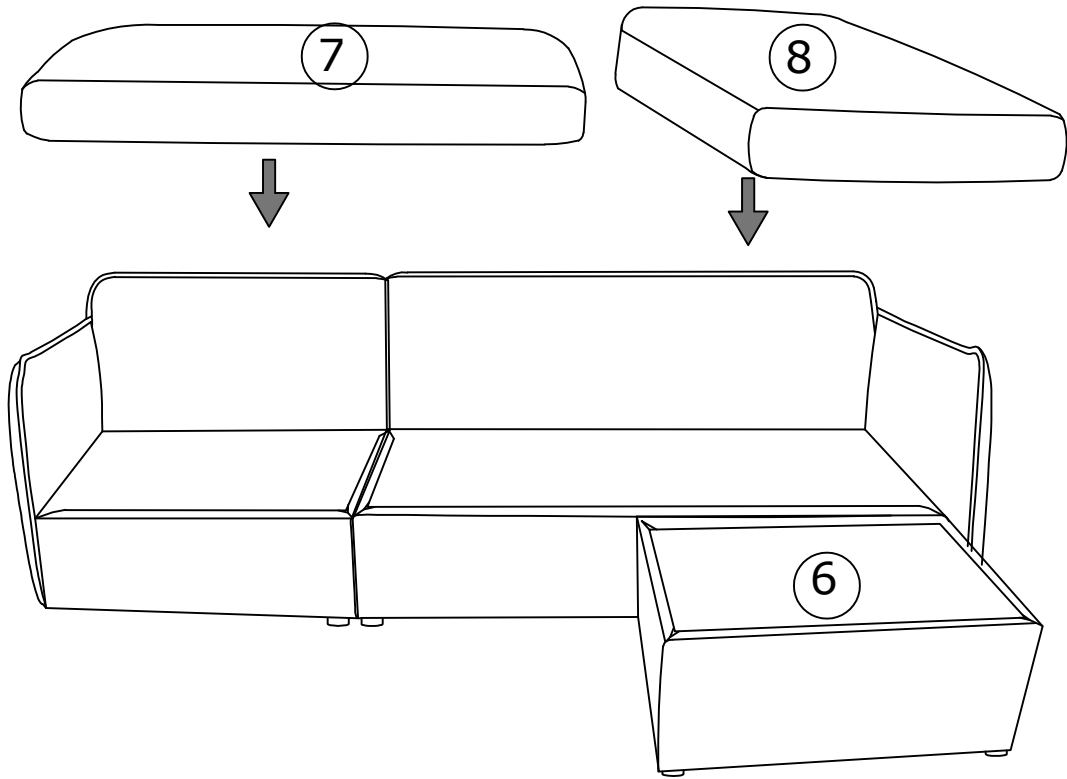
10.

Attach the 2 x Cushions(7&8) into the Sofa.



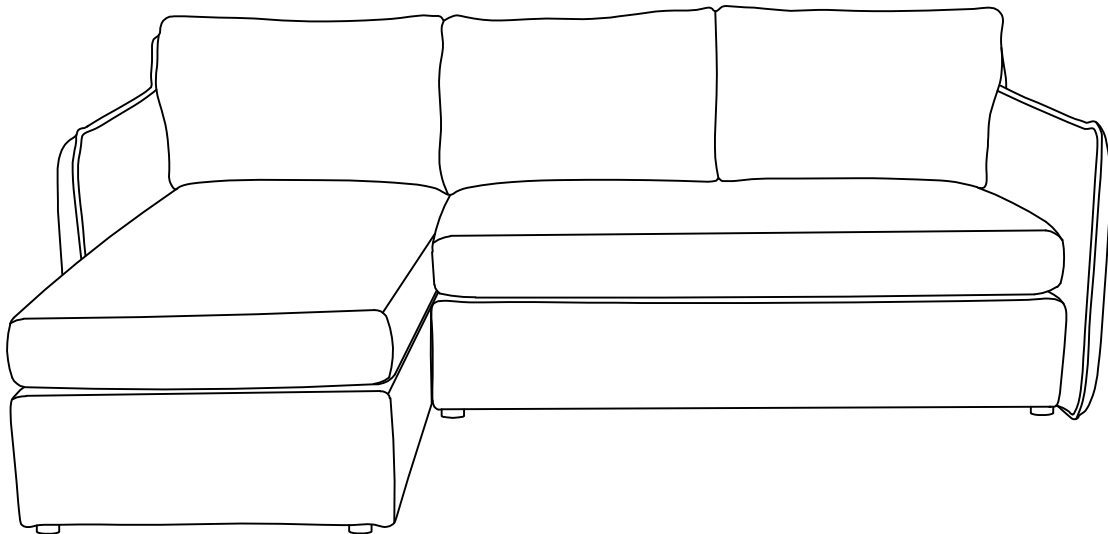
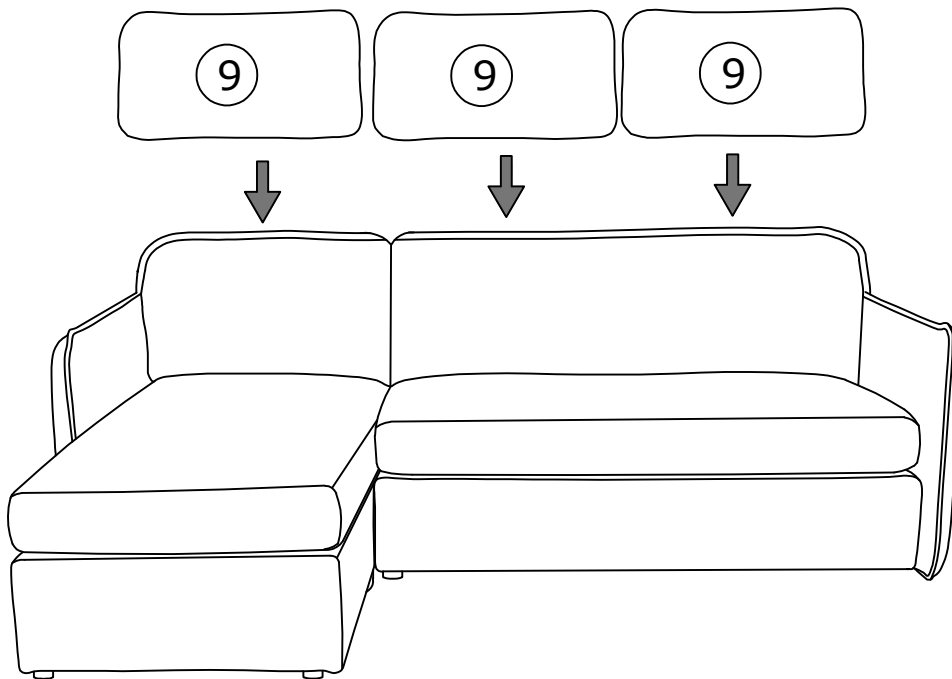
11.

Attach the 2 x Cushions(7&8) into the Sofa.



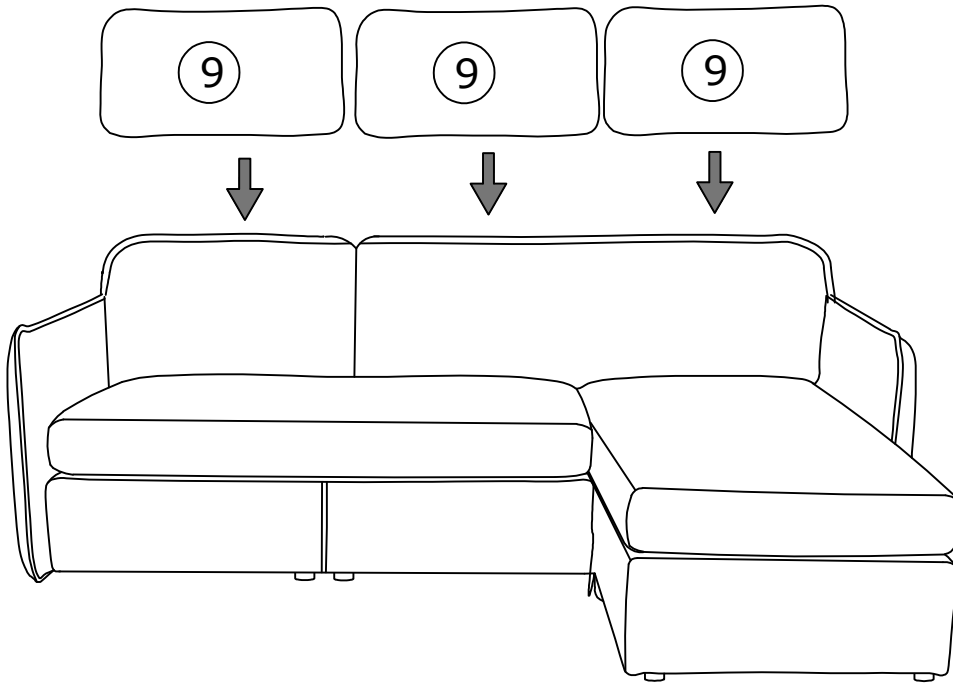
12.

Attach the 3 x Pillows(9) into the Sofa Backrest.



13.

Attach the 3 x Pillows(9) into the Sofa Backrest.



All sofa covers are Velcro taped and can be removed

