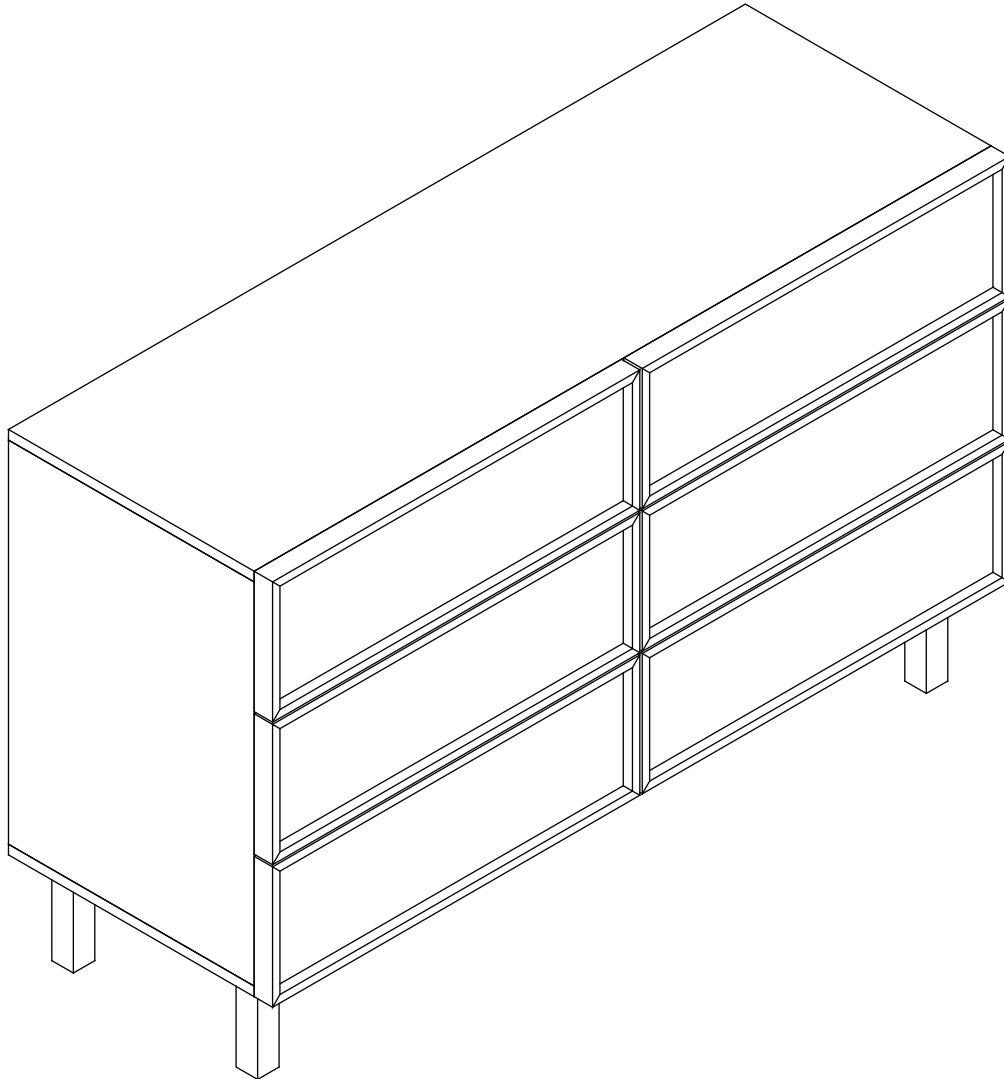


**TEMPLE &  
WEBSTER**

---

**ASSEMBLY  
INSTRUCTIONS**



---

**Hathaway 6 Chest of  
Drawers**

# Read first, enjoy forever

## Assembly tips

- Assemble your product on a level surface and lay something soft underneath to protect potential floor damage.
- Don't over tighten screws. During assembly we recommend tightening to approximately 70% tightness. Only tighten hardware 100% when fully assembled.
- Keep children away from assembly area as bags and small parts can pose a choking hazard.
- Make sure you have enough space to layout parts before starting. We recommend assembling your item in its final location.
- Do not stand on or put weight on the parts as it may warp or damage product.
- We do not recommend the use of drills or power tools (unless specified) as it may damage the product or hardware. Use hand held screwdrivers only.
- It is best that two people assemble the product as some products may be too heavy for one person. Check this booklet for guidance.

## Safety, care and maintenance

- To reduce the risk of injury, always secure storage furniture to walls and/or floors by using tip-over restraints.
- Never let children climb or hang on drawers, doors or shelves.
- To protect your product and your home, we recommend using coasters, placemats, rugs and other protective items.
- Screws may loosen over time. We recommend setting a reminder to tighten up every six months.
- Remove any liquid spills immediately using a clean cloth with mild detergent. Do not use bleach or abrasive cleaners. Always test any cleaning agent in an inconspicuous spot first to know if it is suitable.

## Recycling

We hope that you love your product forever, but we know situations change. In the event that you wish to dispose of your product please consider some creative ways to give it a new home:

- If it's still in great shape, sell it on your favourite online marketplace!
- Give it a second life by affording it a fresh coat of paint.
- If you must dispose of it, why not donate it to your local charity or shelter for someone else to enjoy.

Please dispose of this product and packaging responsibly and recycle where possible. Scan the QR code to read more about Temple and Webster's commitment to a more sustainable future.



# Important safety instructions

## **DANGER!**

Children have died from furniture tip over.

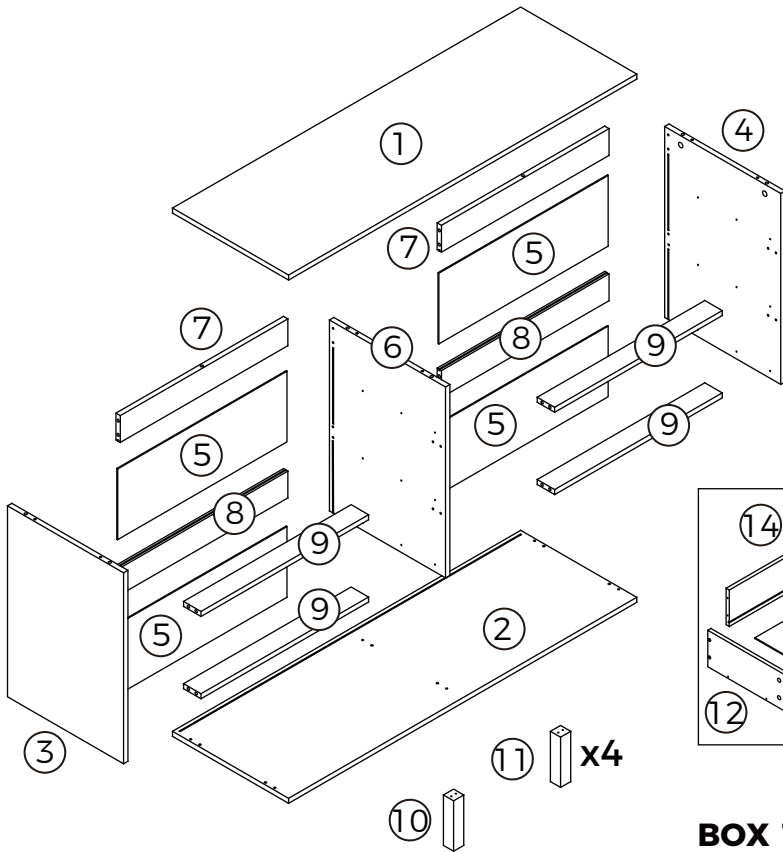
### **Toppling Hazard Warning**

- ALWAYS secure items with an anchor device
- For safety reasons, we recommend you follow the provided instructions
- When installed properly, the provided hardware may prevent the unit from tipping over unexpectedly.
- Never let children climb or hang on drawers, doors or shelves.
- NEVER open more than one drawer at a time
- Place heavy items down low
- For advice on suitable fastening devices, contact your local specialized dealer



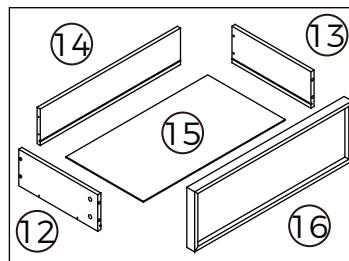
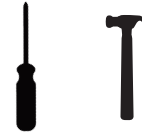
# Parts List

Hathaway 6 Chest of Drawers  
FJHACHOK

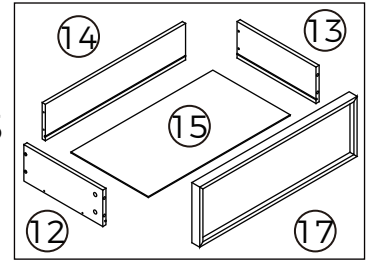


NUMBER OF PEOPLE REQUIRED FOR ASSEMBLY:  
2

TOOLS REQUIRED FOR ASSEMBLY



x3
















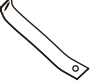







x3

**BOX 1 of 2:** 6, 7, 8, 9, 10, 11, 12, 13, 14, 15, Hardware

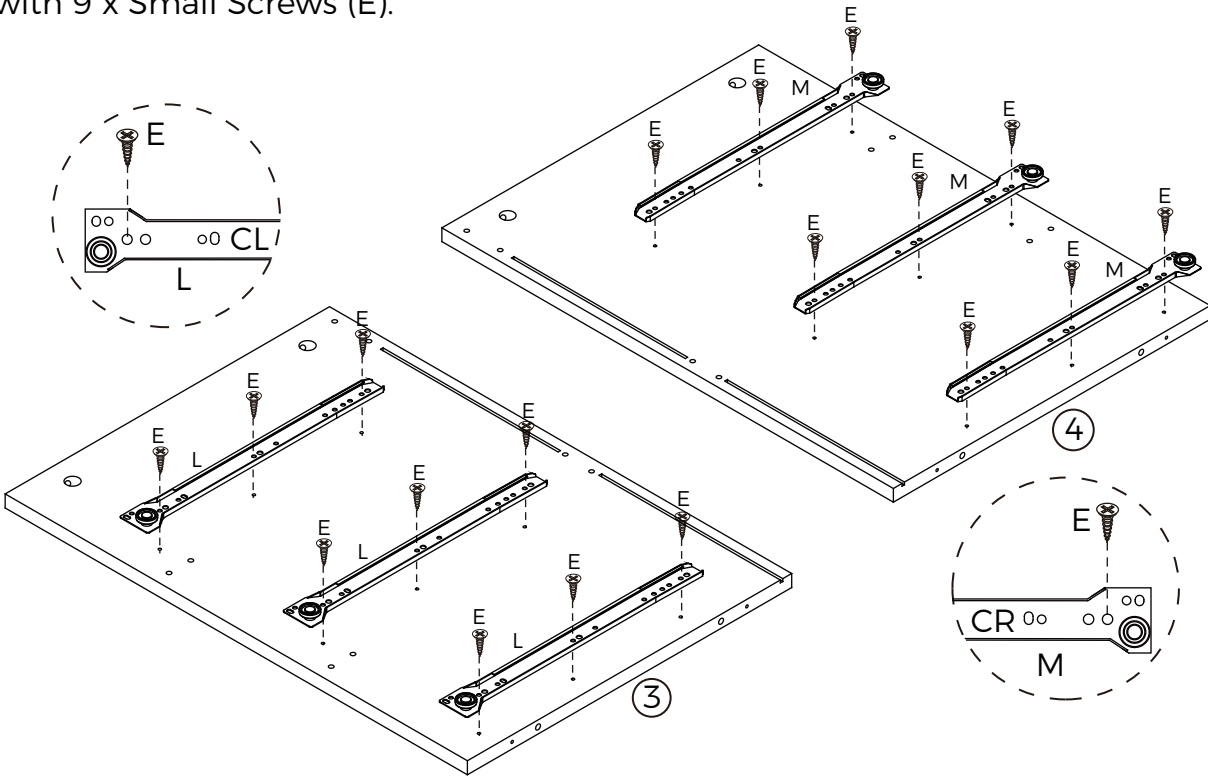
**BOX 2 of 2:** 1, 2, 3, 4, 5, 16, 17

## Hardware

<b>A</b>  Dowels x12	<b>B</b>  Long Screws x16	<b>C</b>  Cam Bolts x64	<b>D</b>  Cam Nuts x64	<b>E</b>  Small Screws x60	<b>F</b>  Screws x24	<b>G</b>  Brackets x5	<b>H</b>  Screws x20
<b>I</b>  Plastic Glides x4	<b>J</b>  Wedges x8	<b>K</b>  Wedge Screws x8	<b>L</b>  CL Runner Tracks x6	<b>M</b>  CR Runner Tracks x6	<b>N</b>  DL Runners x6	<b>O</b>  DR Runners x6	<b>P</b>  Safety Straps x2
<b>Q</b>  Screws x2	<b>R</b>  Wall Plugs x2	<b>S</b>  Wall Screws x2	<b>T</b>  Washers x4	<b>U</b>  Adjuster x1			

# 1.

Attach 3 x CL Runner Tracks (L) to Left Side Panel [3] with 9 x Small Screws (E). Attach 3 x CR Runner Tracks (M) to Right Side Panel [4] with 9 x Small Screws (E).



## You will need



3 CL Runner Tracks



3 CR Runner Tracks



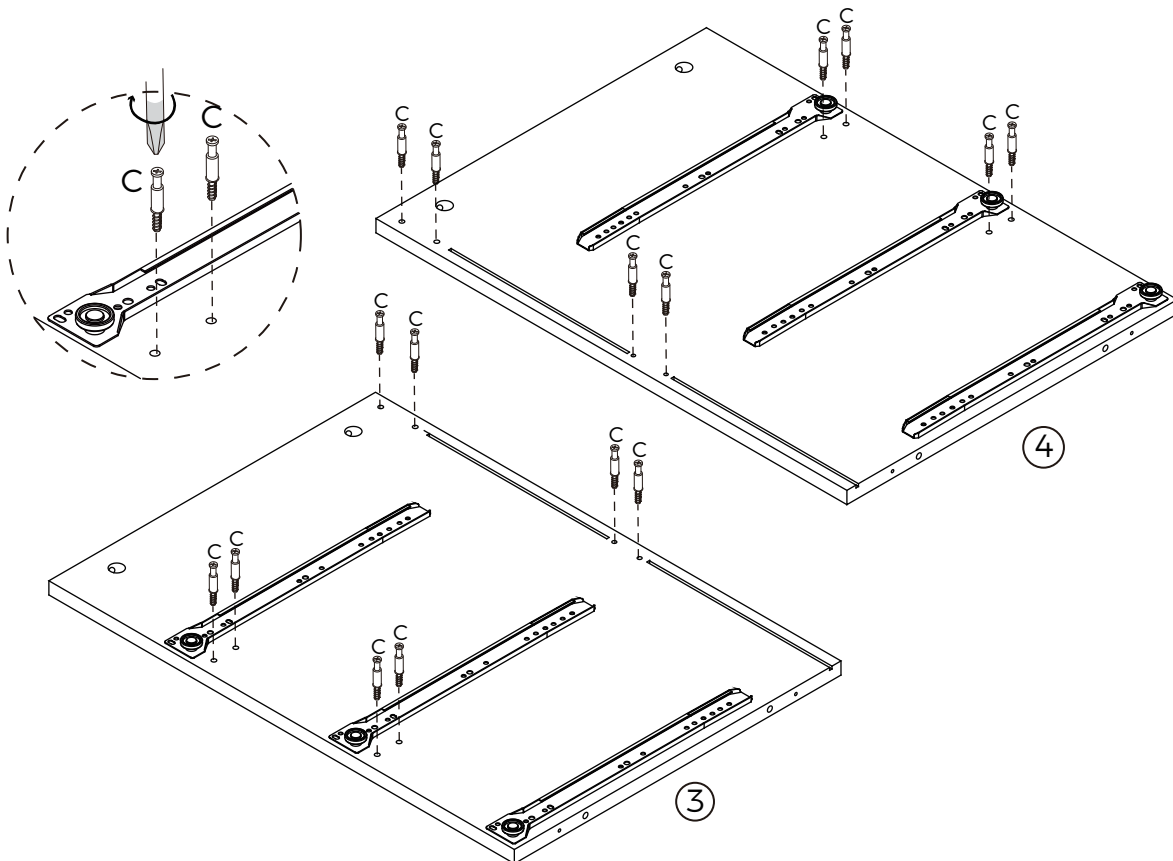
18 Small Screws



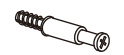
Phillips Head Screwdriver

# 2.

Attach 16 x Cam Bolts (C) to Left & Right Side Panels [3 & 4].



## You will need



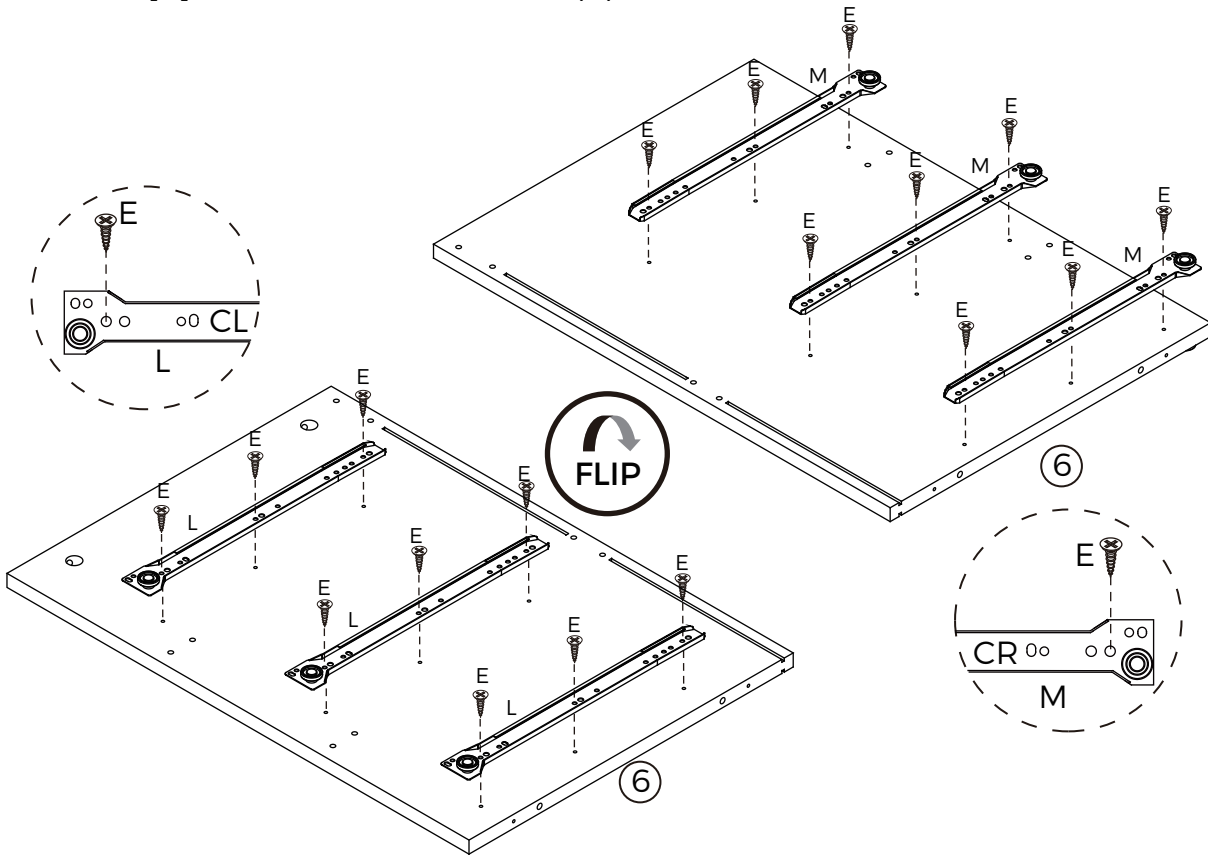
16 Cam Bolts



Phillips Head Screwdriver

### 3.

Attach 3 x CL Runner Tracks (L) and 3 x CR Runner Tracks (M) to Divider [6] with 18 x Small Screws (E).

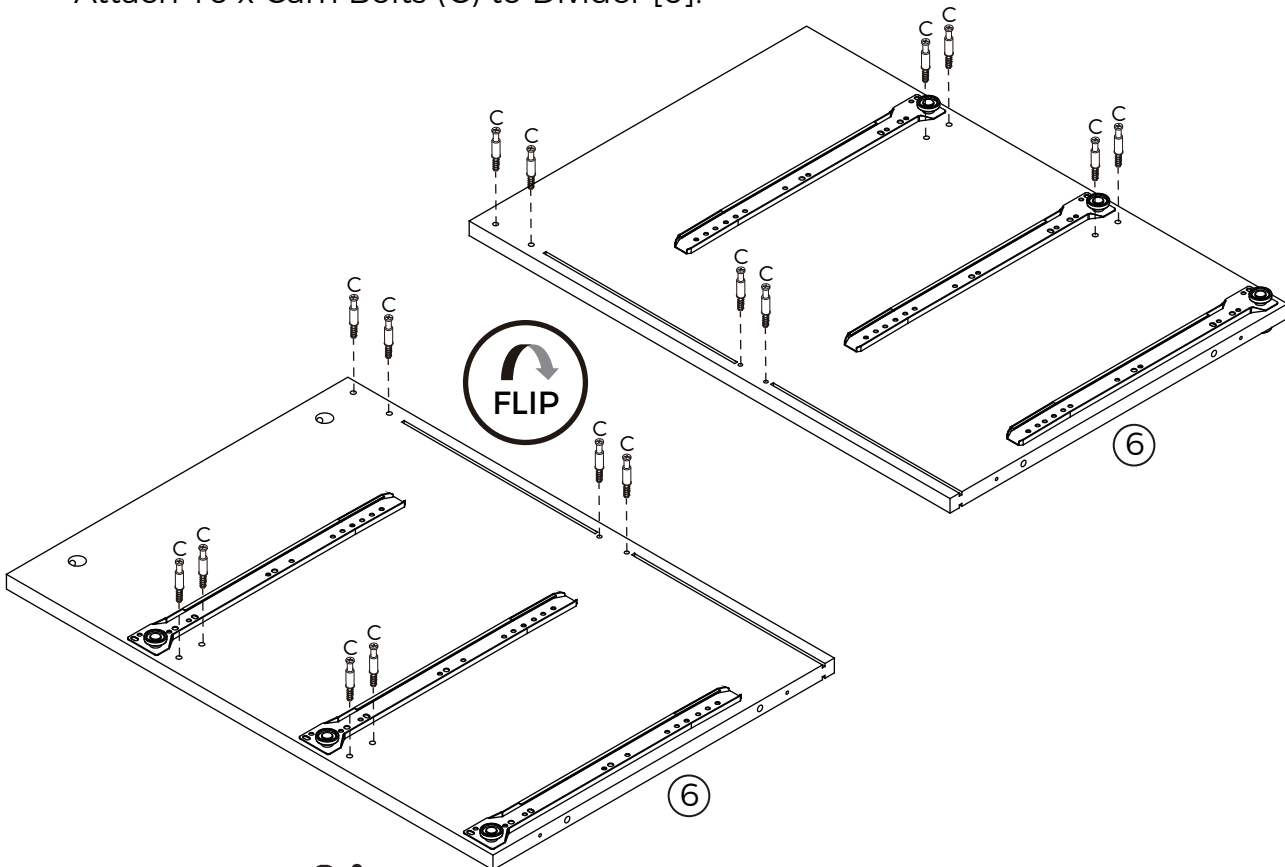


#### You will need



### 4.

Attach 16 x Cam Bolts (C) to Divider [6].

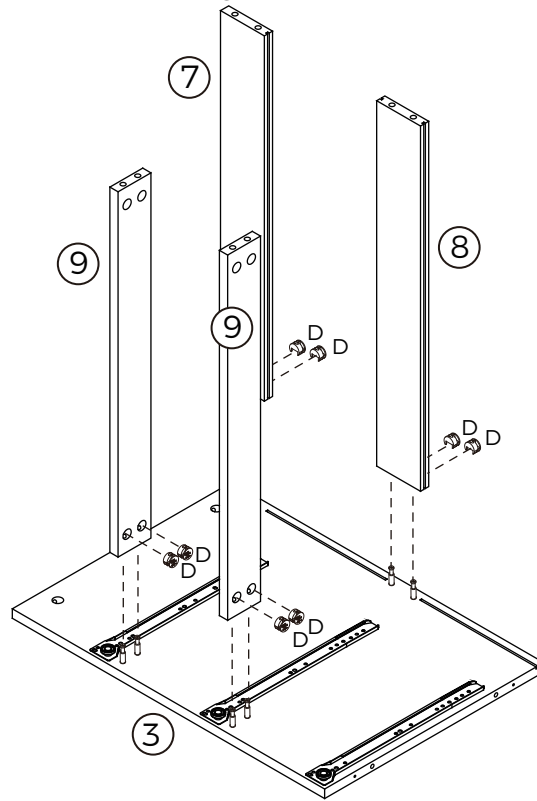


#### You will need



# 5.

Insert 8 x Cam Nuts (D) into Rails [7, 8, 9] as shown. Rotate the cam nuts so the arrows point towards the incoming cam bolts. Attach Rails [7, 8, 9] to Left Side Panel [3].



## You will need



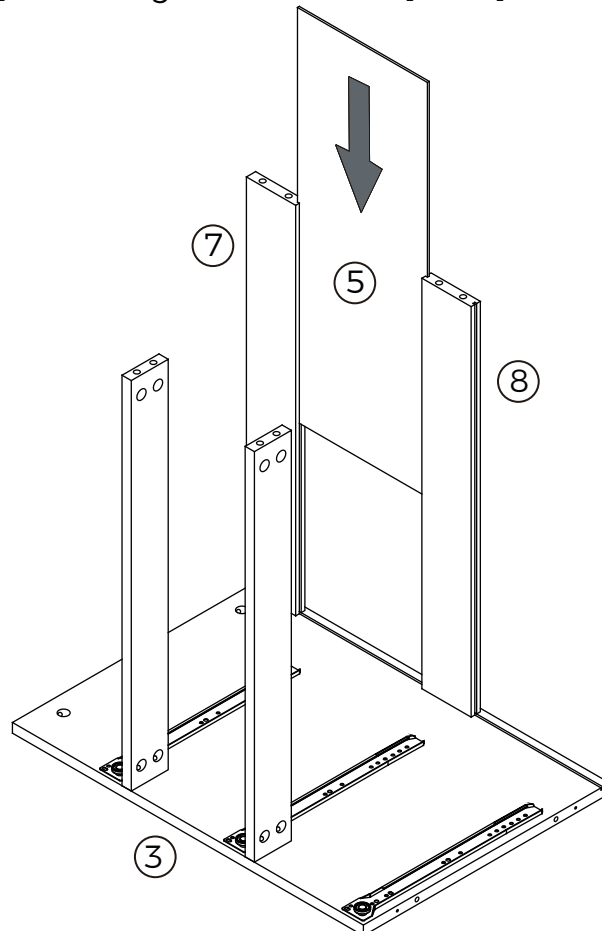
8 Cam Nuts



Phillips Head Screwdriver

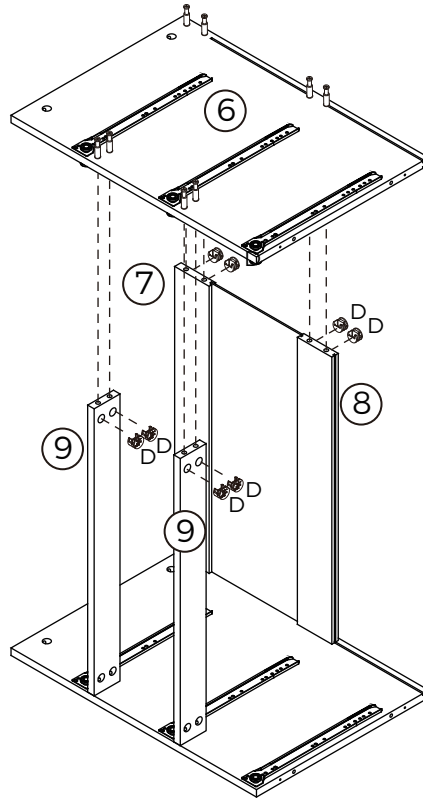
# 6.

Slide Back Panel [5] into the grooves of Rails [7 & 8] and Left Side Panel [3].



# 7.

Insert 8 x Cam Nuts (D) into Rails [7, 8, 9]. Rotate the cam nuts so the arrows point towards the incoming cam bolts. Attach Divider [6] to Rails [7, 8, 9].



## You will need



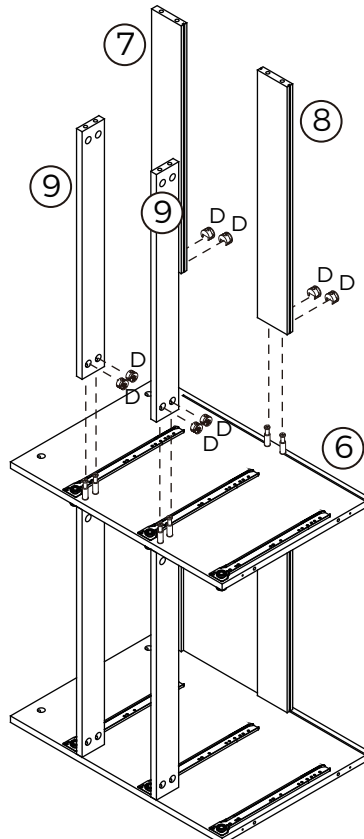
8 Cam Nuts



Phillips Head  
Screwdriver

# 8.

Insert 8 x Cam Nuts (D) into Rails [7, 8, 9]. Rotate the cam nuts so the arrows point towards the incoming cam bolts. Attach Rails [7, 8, 9] to Divider [6].



## You will need



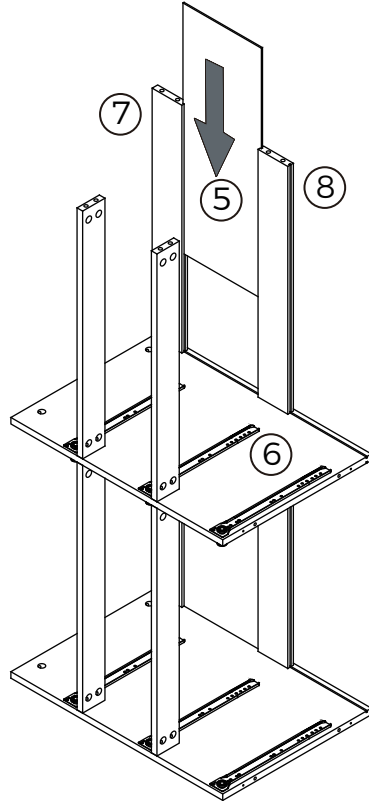
8 Cam Nuts



Phillips Head  
Screwdriver

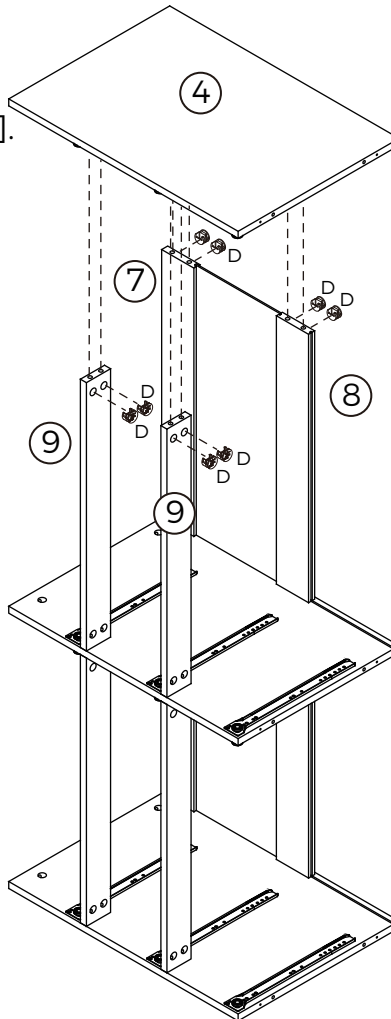
# 9.

Slide Back Panel [5] into the grooves of Rails [7 & 8] and Divider [6].



# 10.

Insert 8 x Cam Nuts (D) into Rails [7, 8, 9].  
Rotate the cam nuts so the arrow points towards the incoming cam bolts.  
Attach Right Side Panel [4] to Rails [7, 8, 9].



## You will need

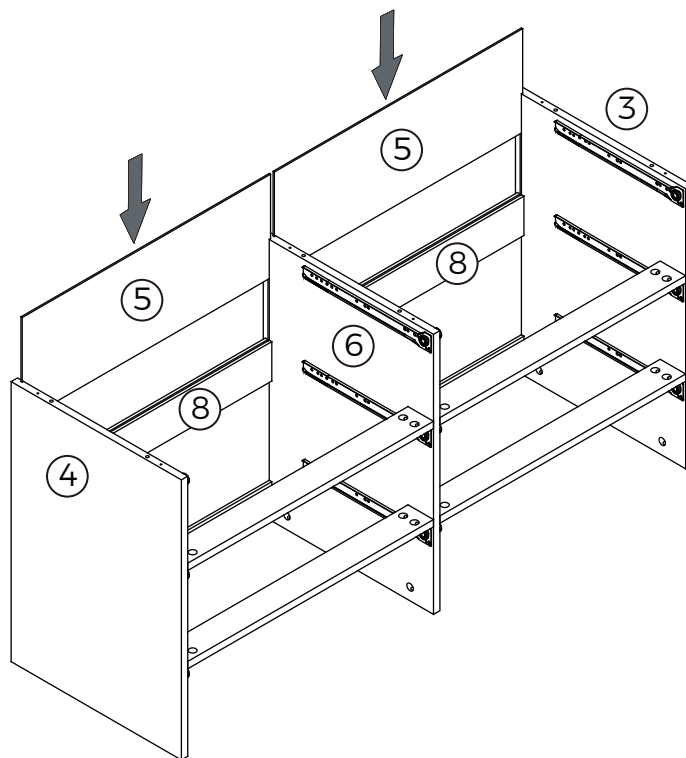


8 Cam Nuts



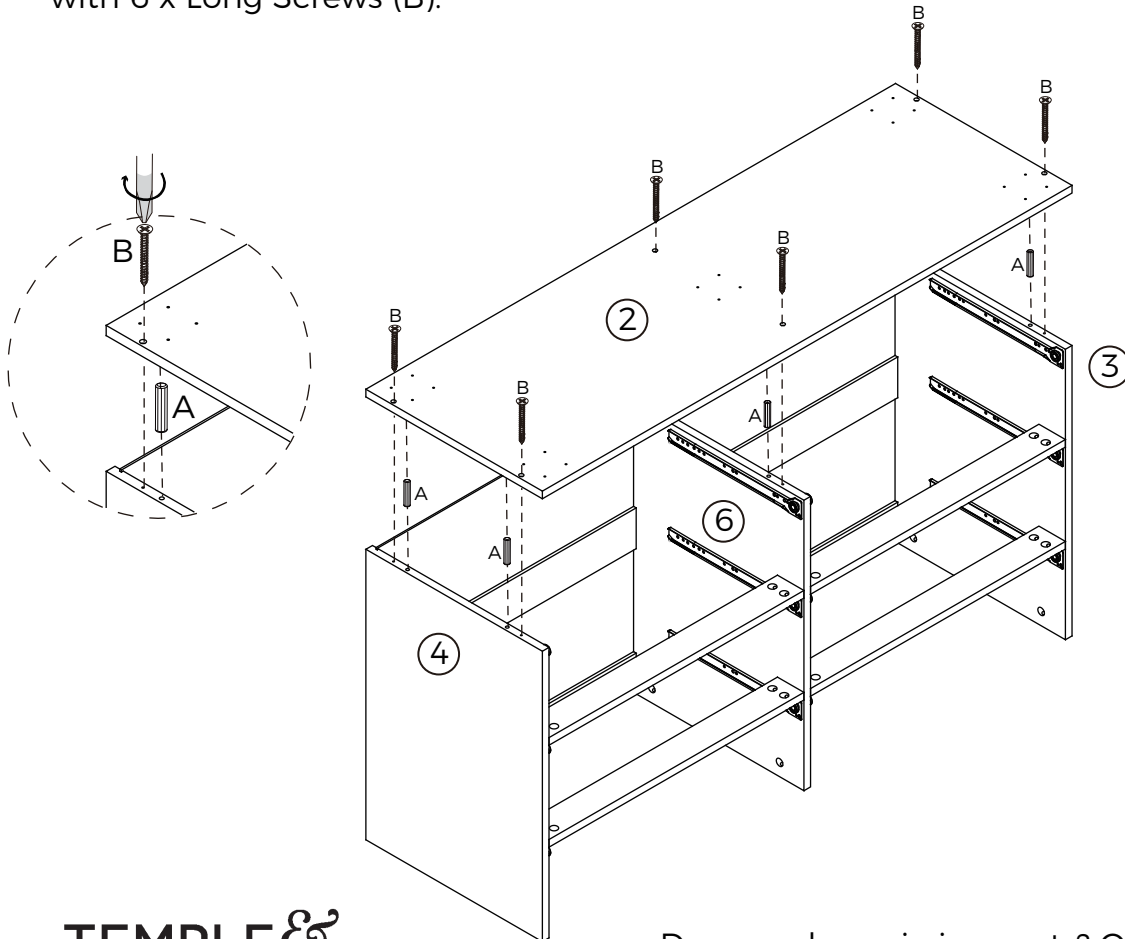
Phillips Head  
Screwdriver

# 11.



# 12.

Insert 6 x Dowels (A) to Left & Right Side Panels [3 & 4] and Divider [6]. Attach Bottom Panel [2] to Left & Right Side Panels [3 & 4] and Divider [6] with 6 x Long Screws (B).



## You will need



6 Dowels



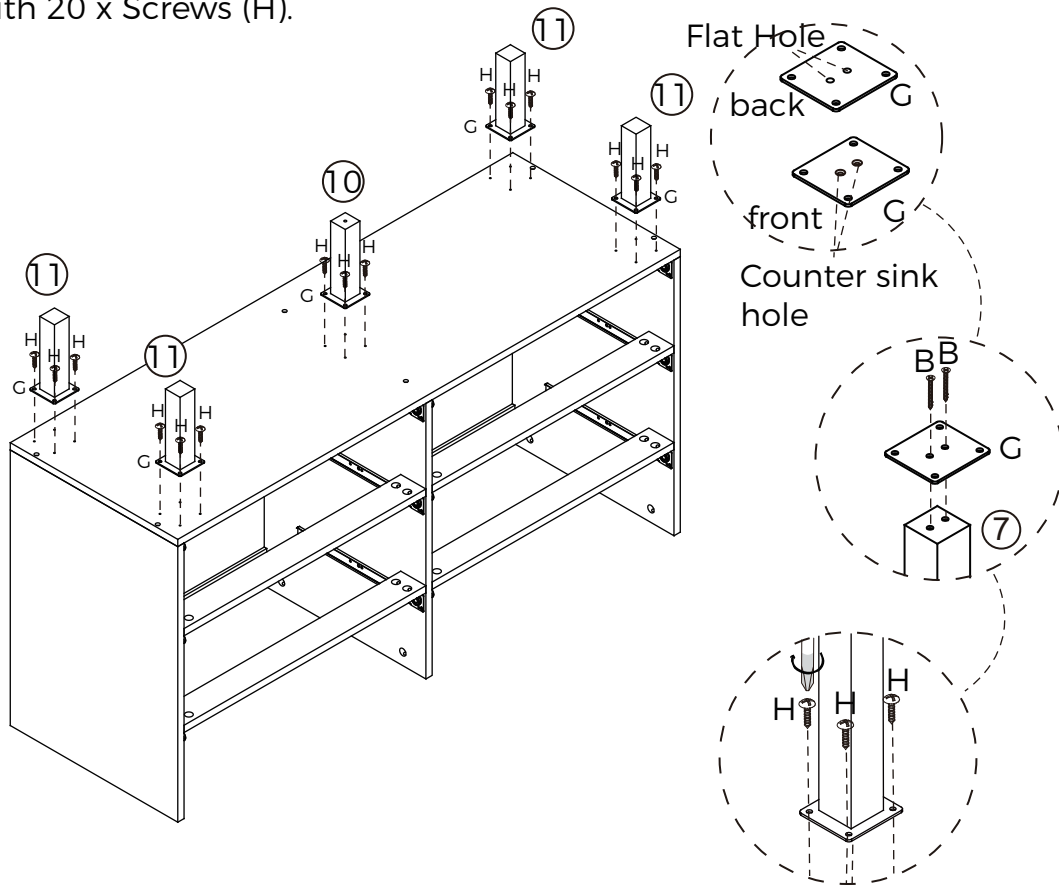
6 Long Screws



Phillips Head Screwdriver

# 13.

Attach 5 x Brackets (G) to 5 x Legs [10 & 11] and secure with 10 x Long Screws (B). Attach Legs [10 & 11] to Bottom Panel [2] and secure with 20 x Screws (H).



## You will need



10 Long Screws



5 Brackets



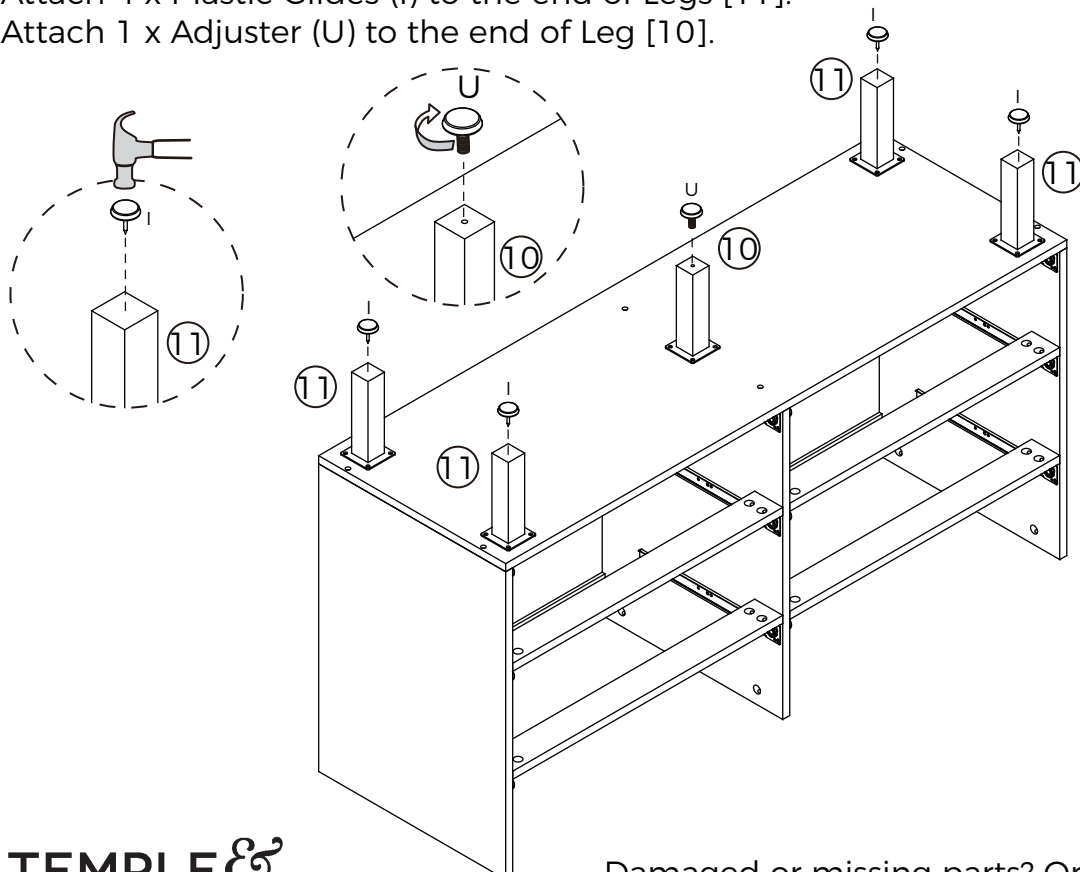
20 Screws



Phillips Head Screwdriver

# 14.

Attach 4 x Plastic Glides (I) to the end of Legs [11]. Attach 1 x Adjuster (U) to the end of Leg [10].



## You will need



4 Plastic Glides



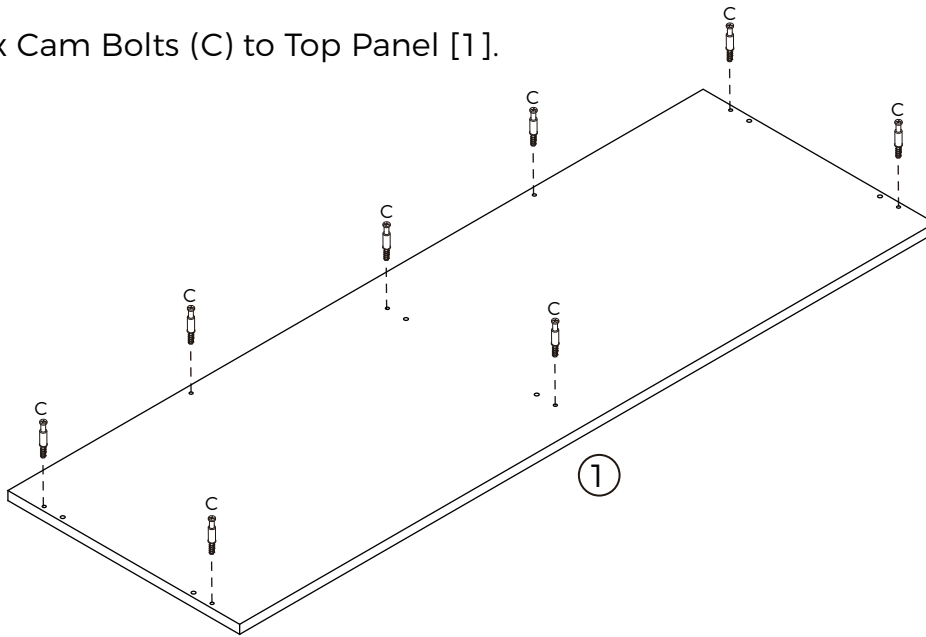
1 Adjuster



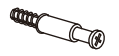
Hammer

# 15.

Attach 8 x Cam Bolts (C) to Top Panel [1].



## You will need



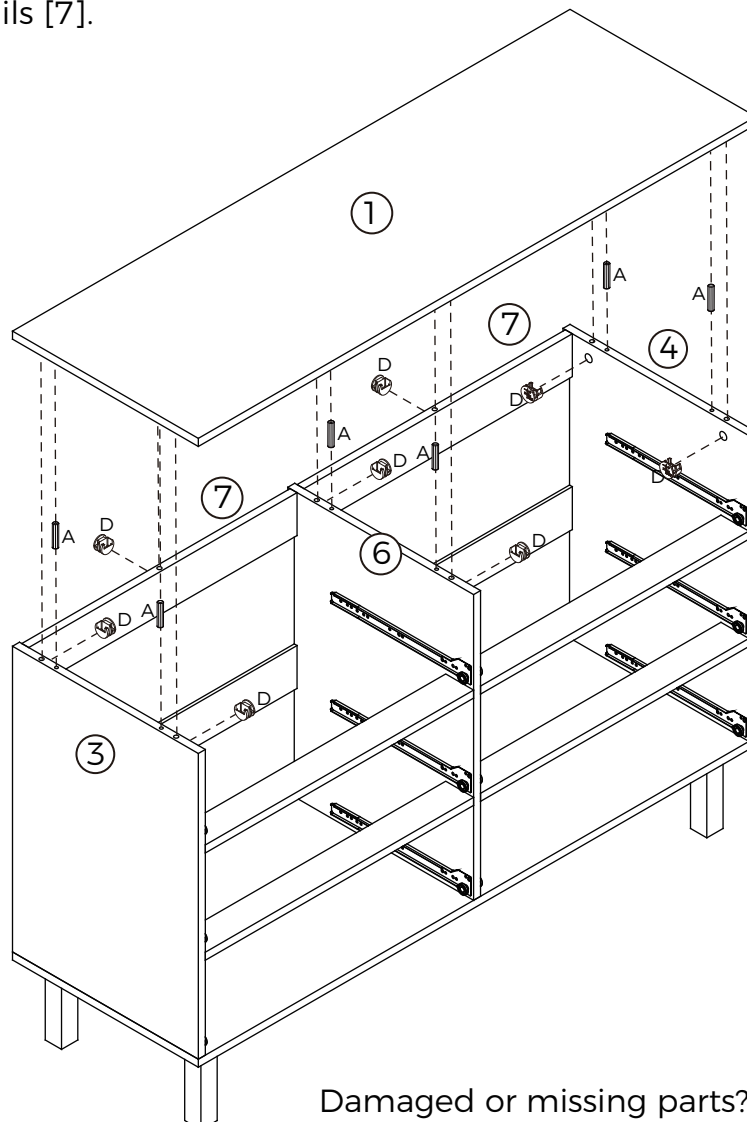
8 Cam Bolts



Phillips Head Screwdriver

# 16.

Insert 6 x Dowels (A) into Left & Right Side Panels [3 & 4] and Divider [6]. Insert 8 x Cam Nuts (D) into Left & Right Side Panels [3 & 4], Divider [6] and Rails [7]. Rotate the cam nuts so the arrow points towards the incoming cam bolts. Attach Top Panel [1] to Left & Right Side Panels [3 & 4], Divider [6] and Rails [7].



## You will need



8 Cam Nuts



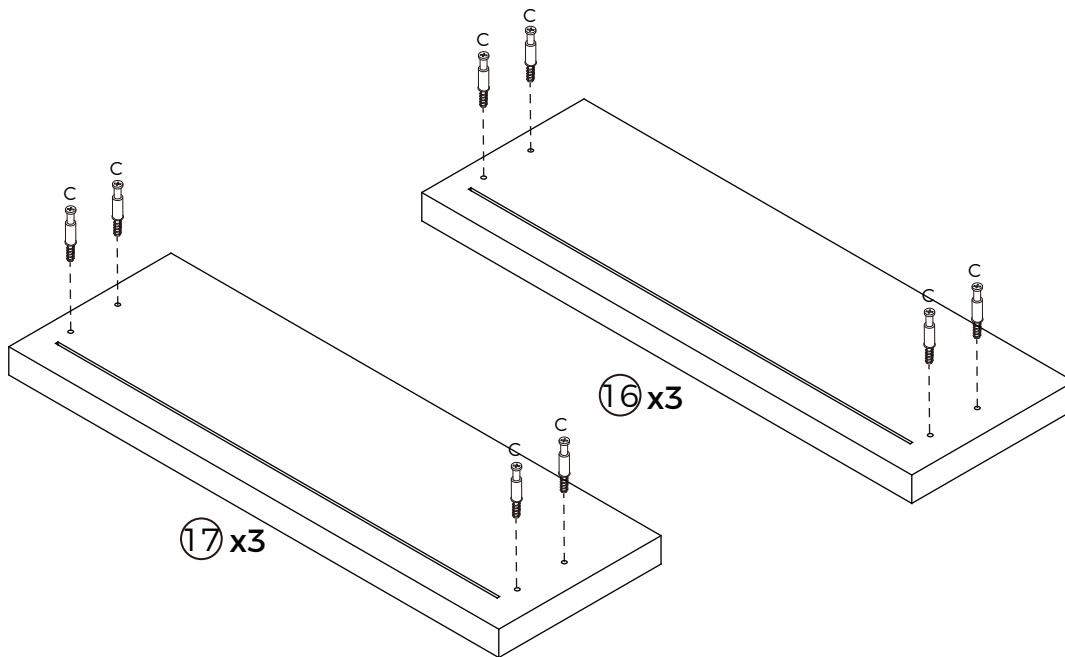
6 Dowels



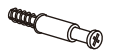
Phillips Head Screwdriver

# 17.

Attach 24 x Cam Bolts (C) to Drawer Fronts [16 & 17].



**You will need**



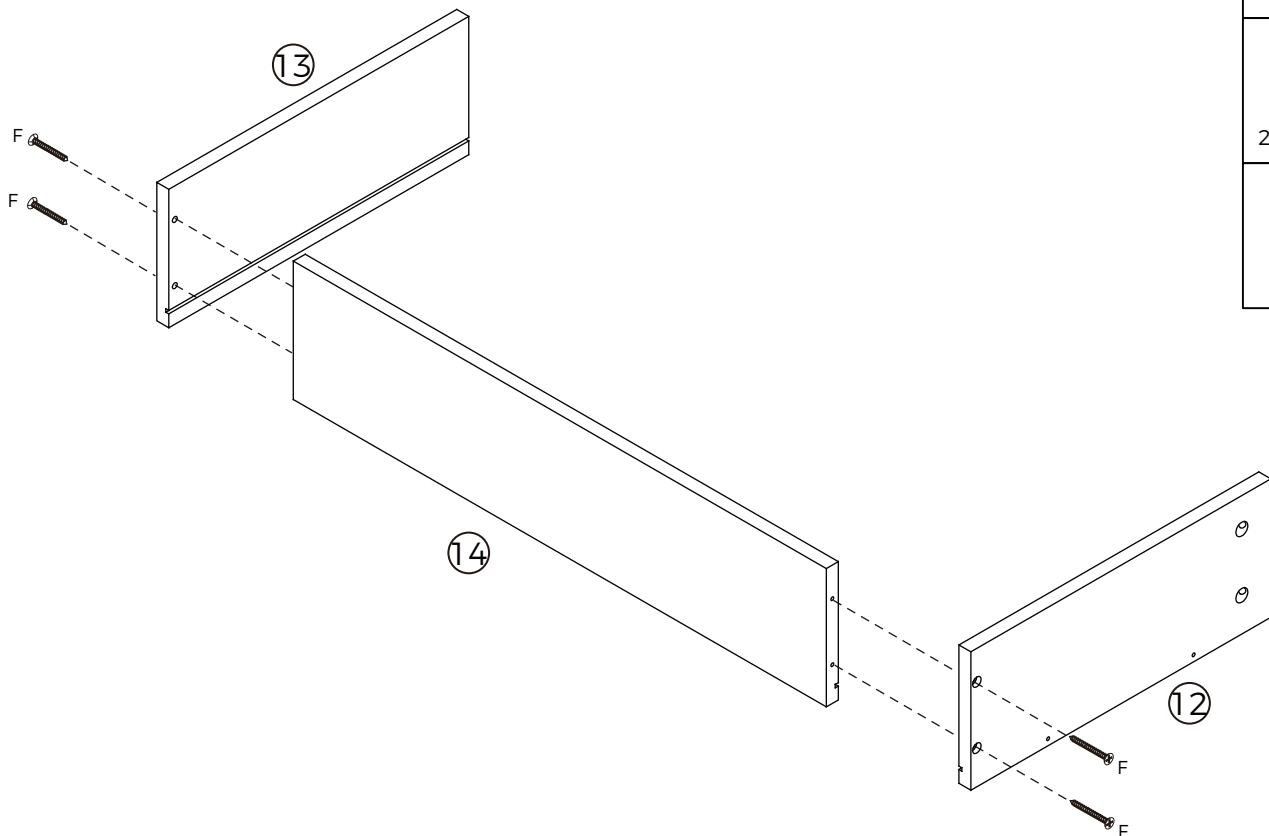
24 Cam Bolts



Phillips Head Screwdriver

# 18.

Attach Drawer Backs [14] to Left & Right Drawer Sides [12 & 13] with 24 x Long Screws (F).



**You will need**



24 Long Screws

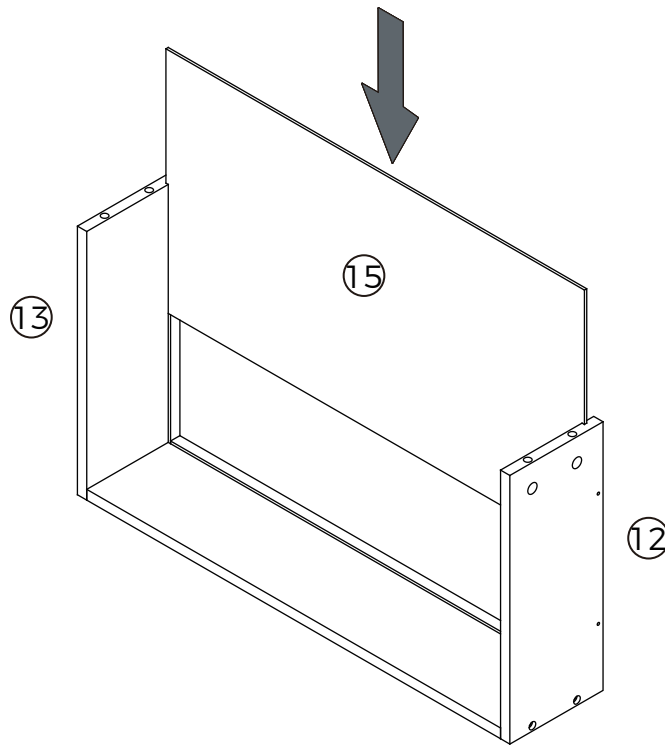


Phillips Head Screwdriver

**x6**

# 19.

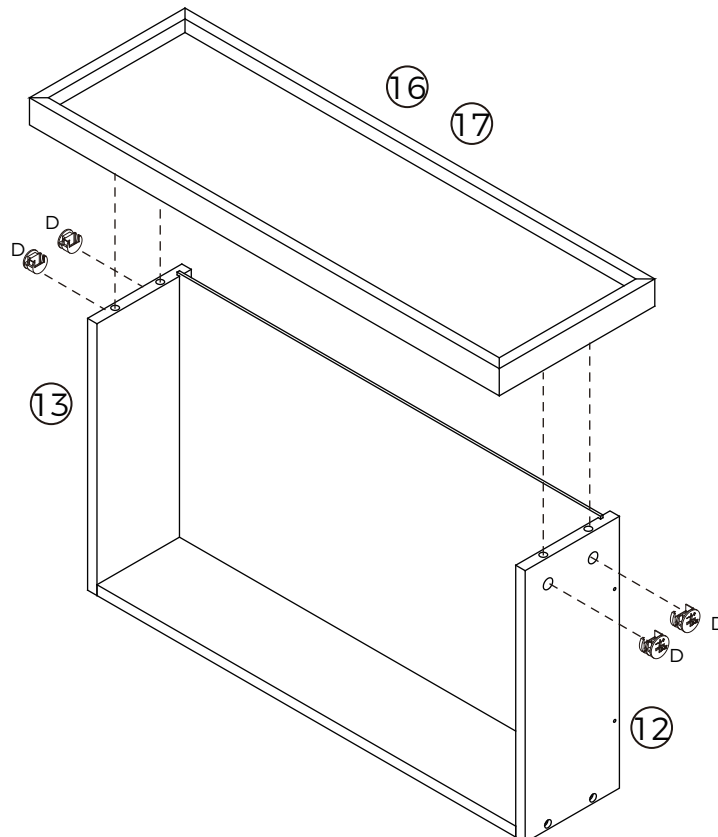
Slide Drawer Bases [15] into the grooves of Left & Right Drawer Sides (12 & 13).



x6

# 20.

Insert 24 x Cam Nuts (D) into Left & Right Drawer Sides [12 & 13]. Rotate the cam nuts so the arrows point towards the incoming cam bolts. Attach Drawer Fronts [16 & 17] to Left & Right Drawer Sides [12 & 13].



x3

## You will need



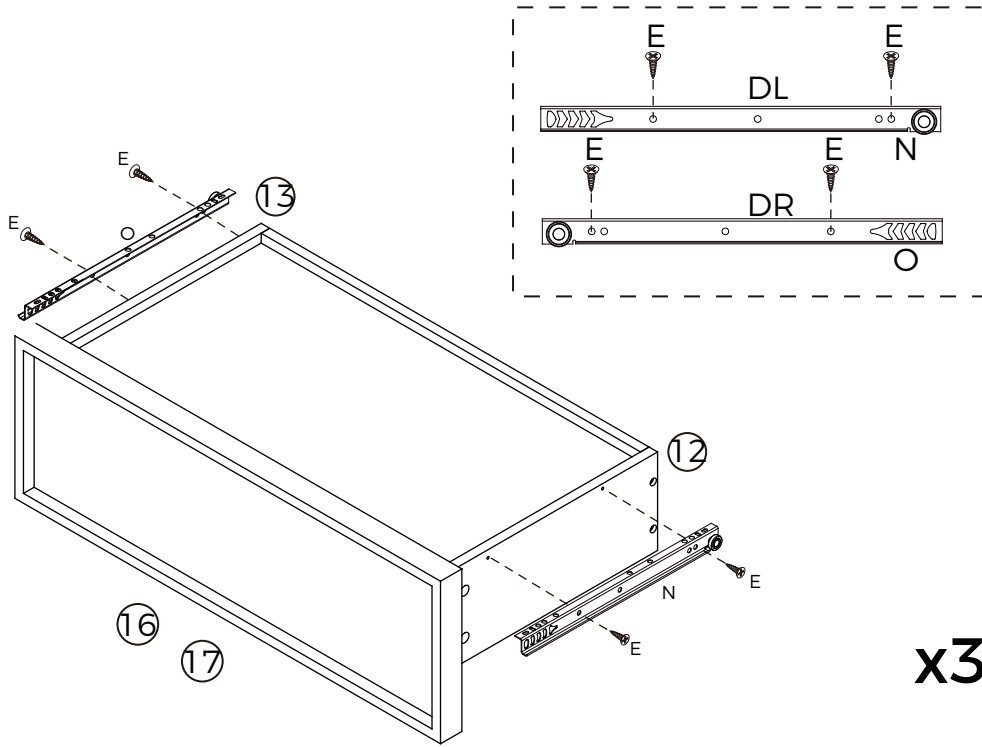
24 Cam Nuts



Phillips Head Screwdriver

# 21.

Attach 6 x DL Runners (N) to the bottom of Left Drawer Sides [12] and 6 x DR Runners (O) to the bottom of Right Drawer Sides [13] with 24 x Small Screws (E).



## You will need



6 DL Runners



6 DR Runners



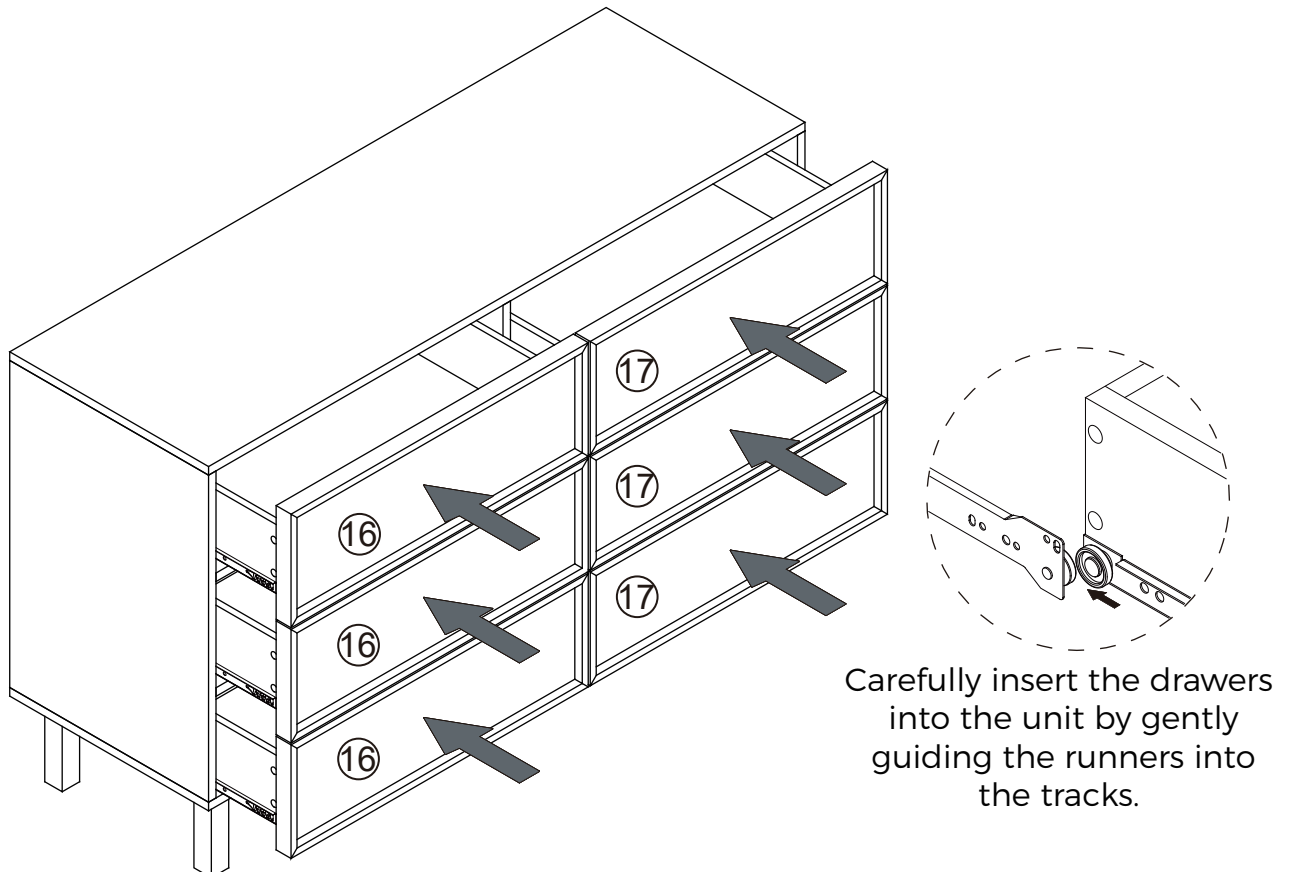
24 Small Screws



Phillips Head Screwdriver

# 22.

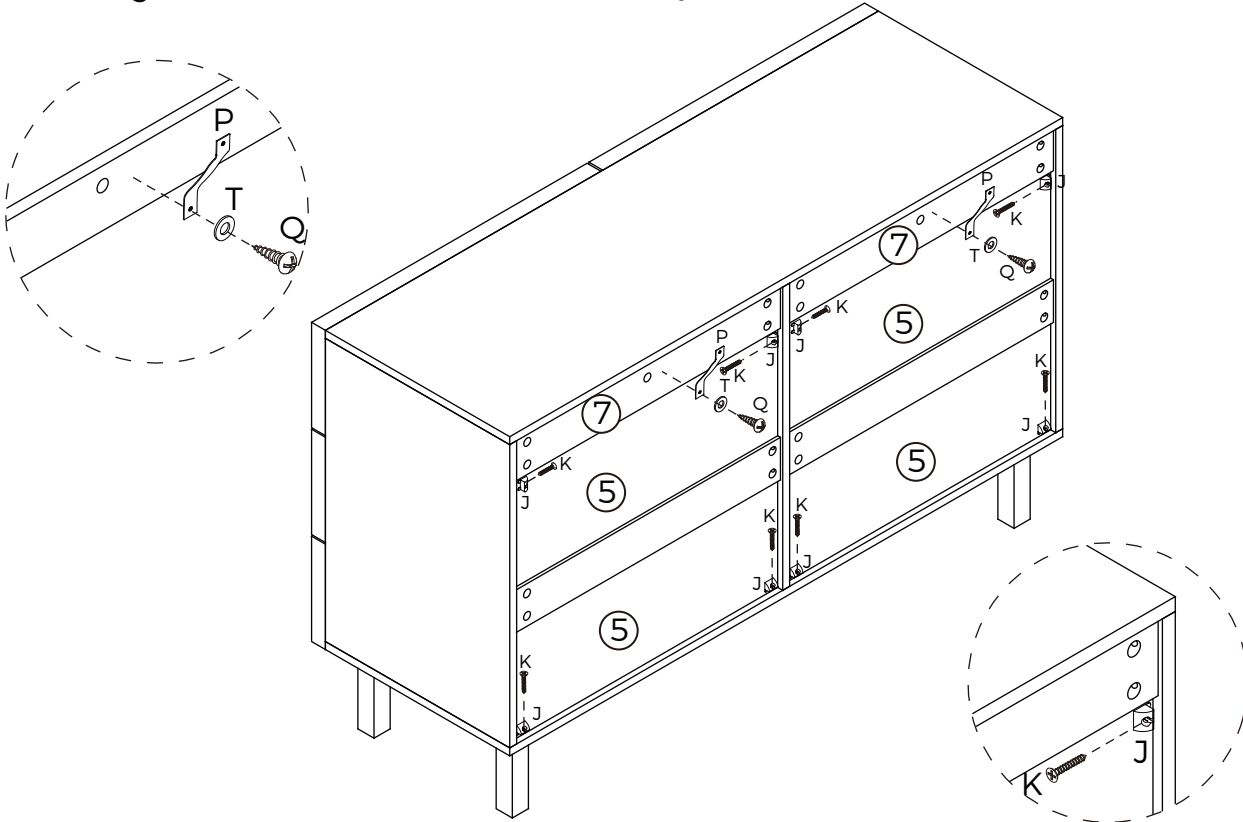
Insert the assembled drawers into the corresponding compartments.



Carefully insert the drawers into the unit by gently guiding the runners into the tracks.

# 23.

Secure Back Panels [5] in place with 8 x Wedges (J) using 8 x Screws (K). Attach 2 x Safety Straps (P) to Top Panel [1] of the back side of the unit using 2 x Washers (T) and 2 x Screws (Q).



## You will need



2 Safety Straps



2 Screws



2 Washers



8 Wedges



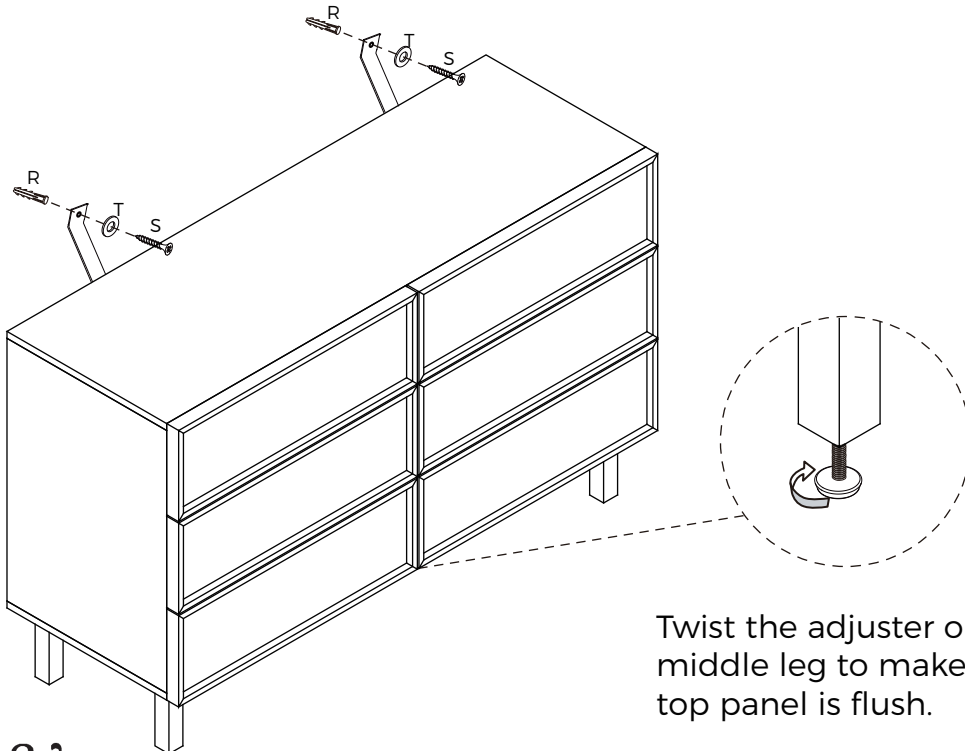
8 Wedges Screws



Phillips Head Screwdriver

# 24.

Move the unit to the final position. Fasten the safety strap to your wall using appropriate fixings for your wall type. If you are unsure, please seek professional advice on how to attach this safety strap to your specific wall.



Twist the adjuster on middle leg to make the top panel is flush.

## You will need



2 Wall Plugs



2 Wall Screws



2 Washers



Phillips Head Screwdriver