

Mesa Console Table

Assembly tips

- Assemble your product on a level surface and lay something soft underneath to protect potential floor damage.
- Don't over tighten screws. During assembly we recommend tightening to approximately 70% tightness. Only tighten hardware 100% when fully assembled.
- Keep children away from assembly area as bags and small parts can pose a choking hazard.
- Make sure you have enough space to layout parts before starting. We recommend assembling your item in its final location.
- Do not stand on or put weight on the parts as it may warp or damage product.
- We do not recommend the use of drills or power tools (unless specified) as it may damage the product or hardware. Use hand held screwdrivers only.
- It is best that two people assemble the product as some products may be too heavy for one person. Check this booklet for guidance.

Safety, care and maintenance

- ALWAYS secure it with an anchor device
- Never let children climb or hang on drawers, doors or shelves.
- NEVER open more than one drawer at a time
- Place heavy items down low
- For advice on suitable fastening devices, contact your local specialized dealer.
- To protect your product and your home, we recommend using coasters, placemats, rugs and other protective items.
- Screws may loosen over time. We recommend setting a reminder to tighten up every six months.
- Remove any liquid spills immediately using a clean cloth with mild detergent. Do not use bleach or abrasive cleaners. Always test any cleaning agent in an inconspicuous spot first to know if it is suitable.

Recycling

We hope that you love your product forever, but we know situations change. In the event that you wish to dispose of your product please consider some creative ways to give it a new home:

- If it's still in great shape, sell it on your favourite online marketplace!
- Give it a second life by affording it a fresh coat of paint.
- If you must dispose of it, why not donate it to your local charity or shelter for someone else to enjoy.

Please dispose of this product and packaging responsibly and recycle where possible. Scan the QR code to read more about Temple and Webster's commitment to a more sustainable future.



Important safety instructions

DANGER!

Children have died from furniture tip over.

Toppling Hazard Warning

- ALWAYS secure items with an anchor device
- For safety reasons, we recommend you follow the provided instructions
- When installed properly, the provided hardware may prevent the unit from tipping over unexpectedly.
- Never let children climb or hang on drawers, doors or shelves.
- NEVER open more than one drawer at a time
- Place heavy items down low
- For advice on suitable fastening devices, contact your local specialized dealer

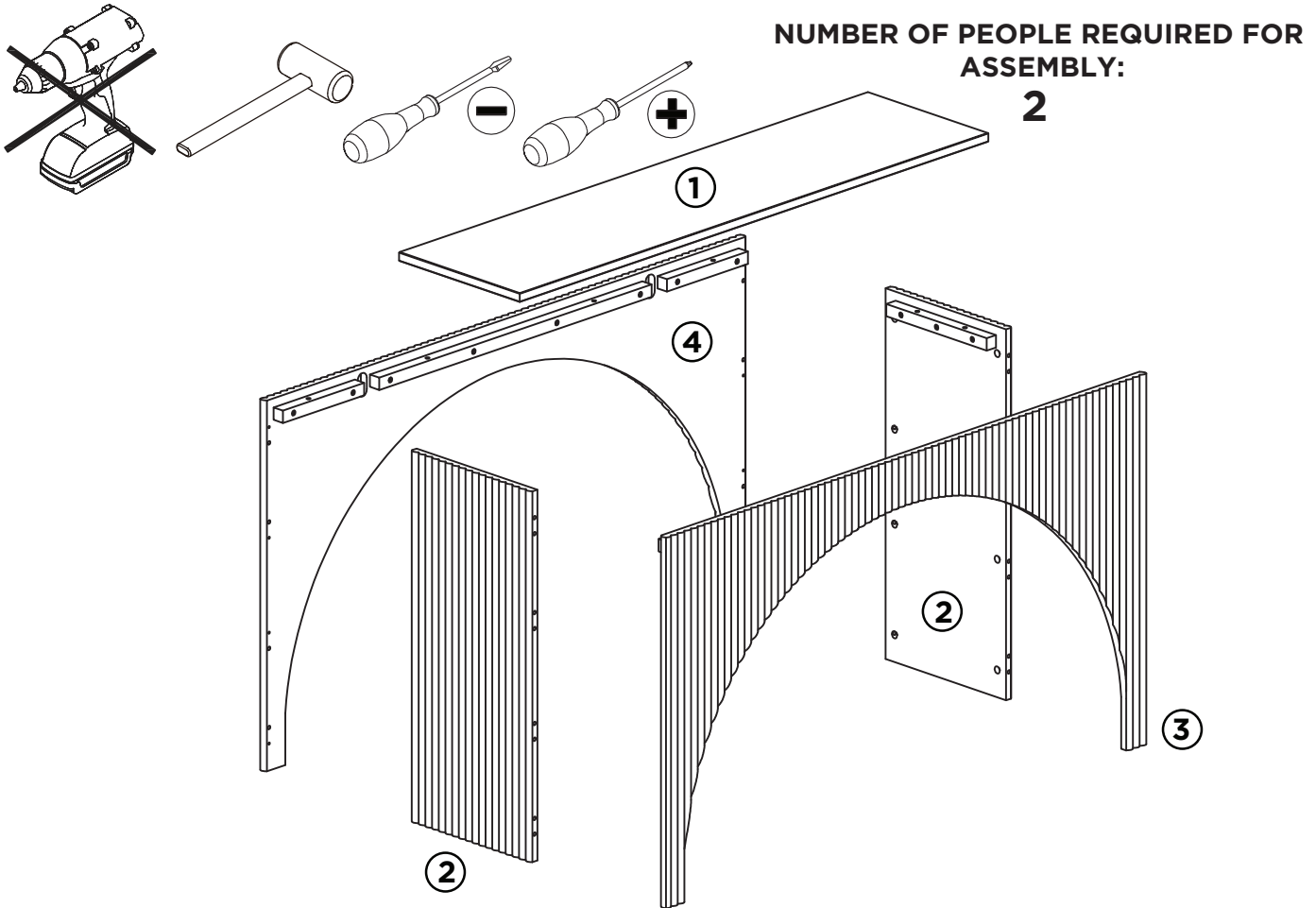


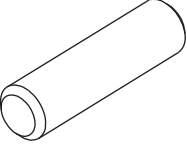
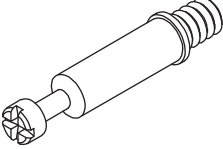
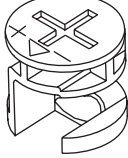
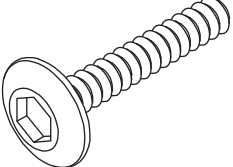
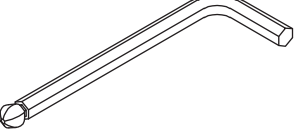
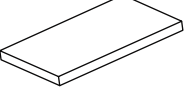
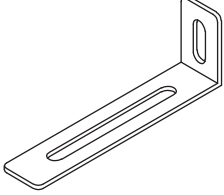
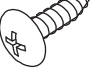

ASSEMBLY INSTRUCTIONS

Mesa console table

SBMACOWH

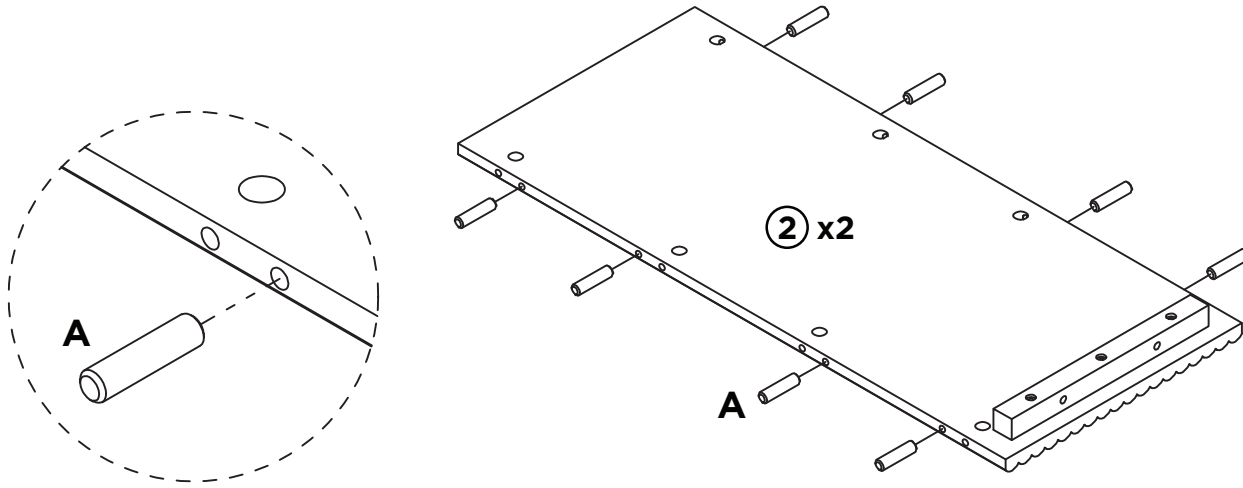
Parts list



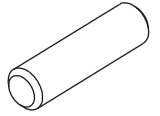
<p>A</p>  <p>16 Wood Dowels Ø8x30mm</p>	<p>B</p>  <p>16 Connecting Bolts Ø6x34mm</p>	<p>C</p>  <p>16 Locking Nuts Ø12x10mm</p>	<p>D</p>  <p>12 Bolts M6x35mm</p>	<p>E</p>  <p>1 Allen Key 4mm</p>
<p>F</p>  <p>4 Felt Pads 40x15mm</p>	<p>G</p>  <p>2 Brackets</p>	<p>H</p>  <p>4 Screws Ø3.5x16mm</p>	<p>I</p>  <p>16 Stickers Ø20mm</p>	

1.

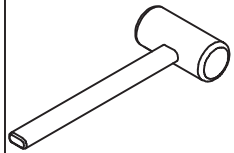
Insert 16x Wood Dowels **(A)** into 2 x Side Panels **(2)**.
If necessary, gently tap the wood dowels with a mallet.



You will need:

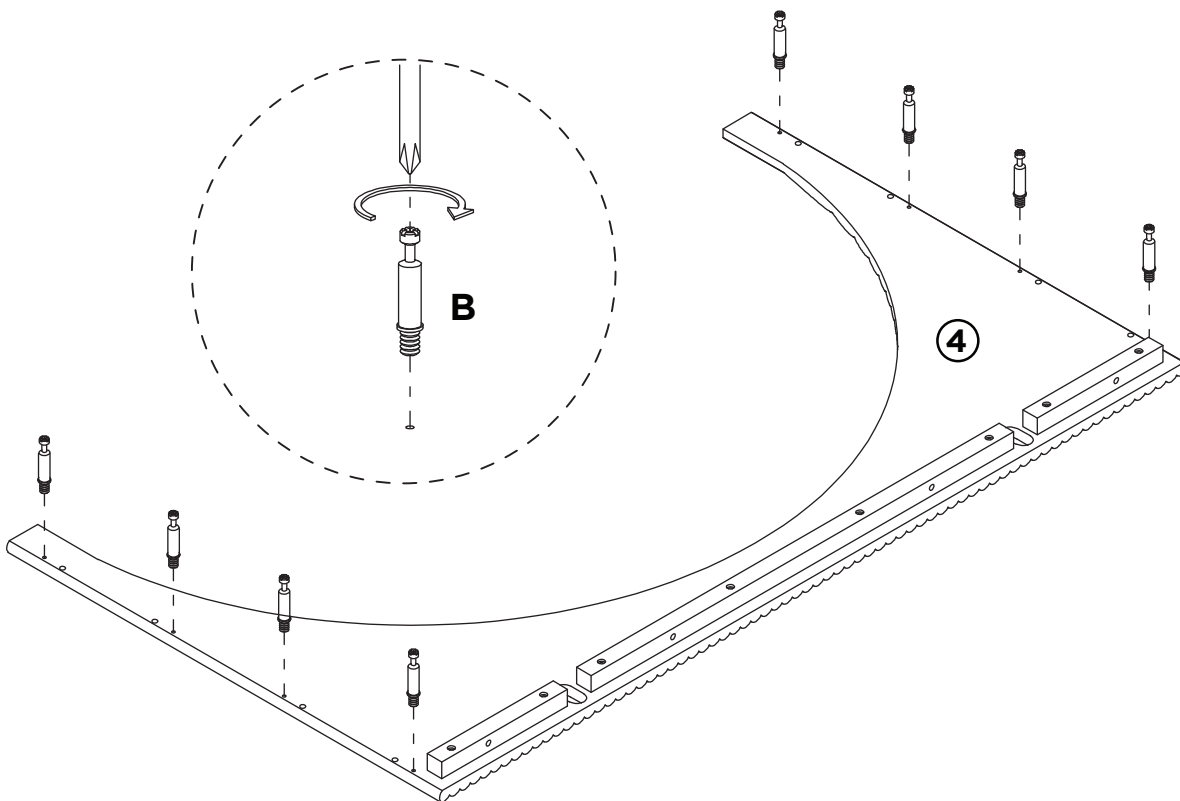


16 Dowels

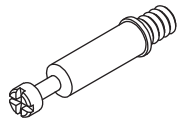


2.

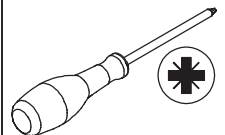
Screw 8 x Bolts **(B)** into Back Panel **(4)**.



You will need:



8 Bolts

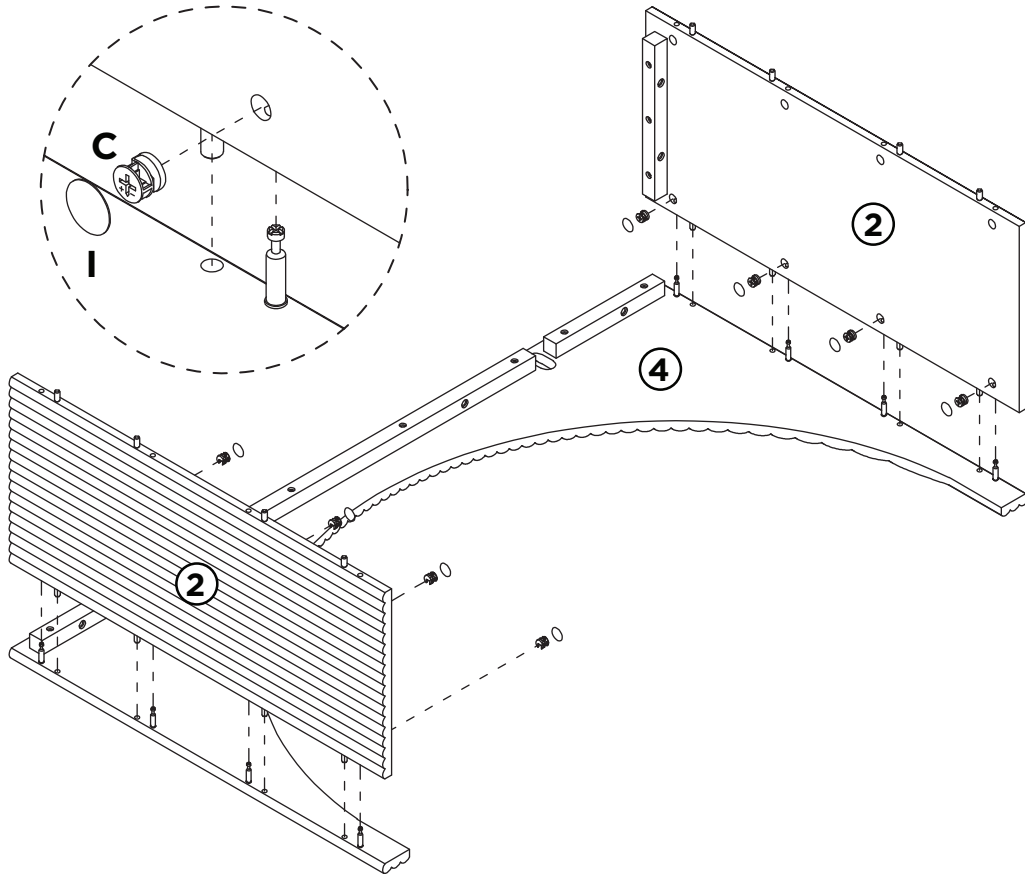


**TEMPLE &
WEBSTER**

Damaged or missing parts? Or just need help?
Contact us on service@templeandwebster.com.au

3.

Attach 2 x Side Panels (2) to Back Panel (4), using 8 x Locking Nuts (C). Use a screwdriver to turn the nuts clockwise to lock. Attach 8 x Sticker (I) to the Locking Nuts (3).



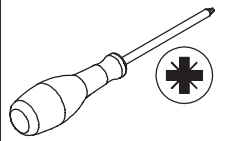
You will need:



8 Locking Nuts

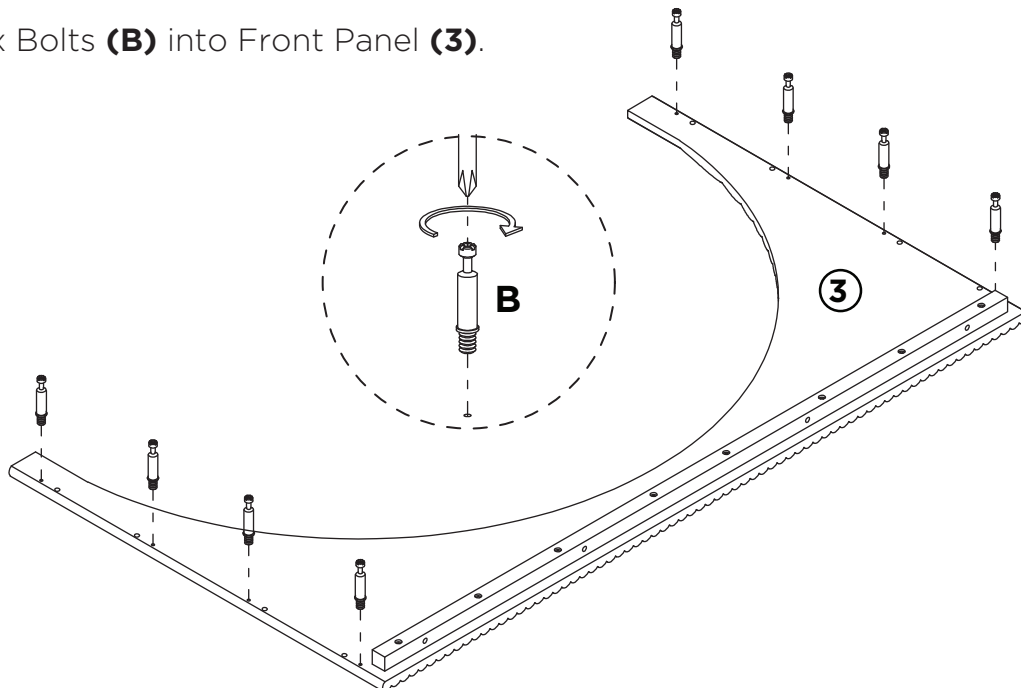


8 Stickers

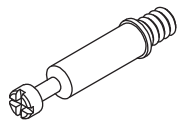


4.

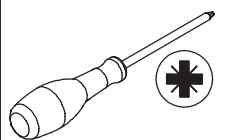
Screw 8 x Bolts (B) into Front Panel (3).



You will need:



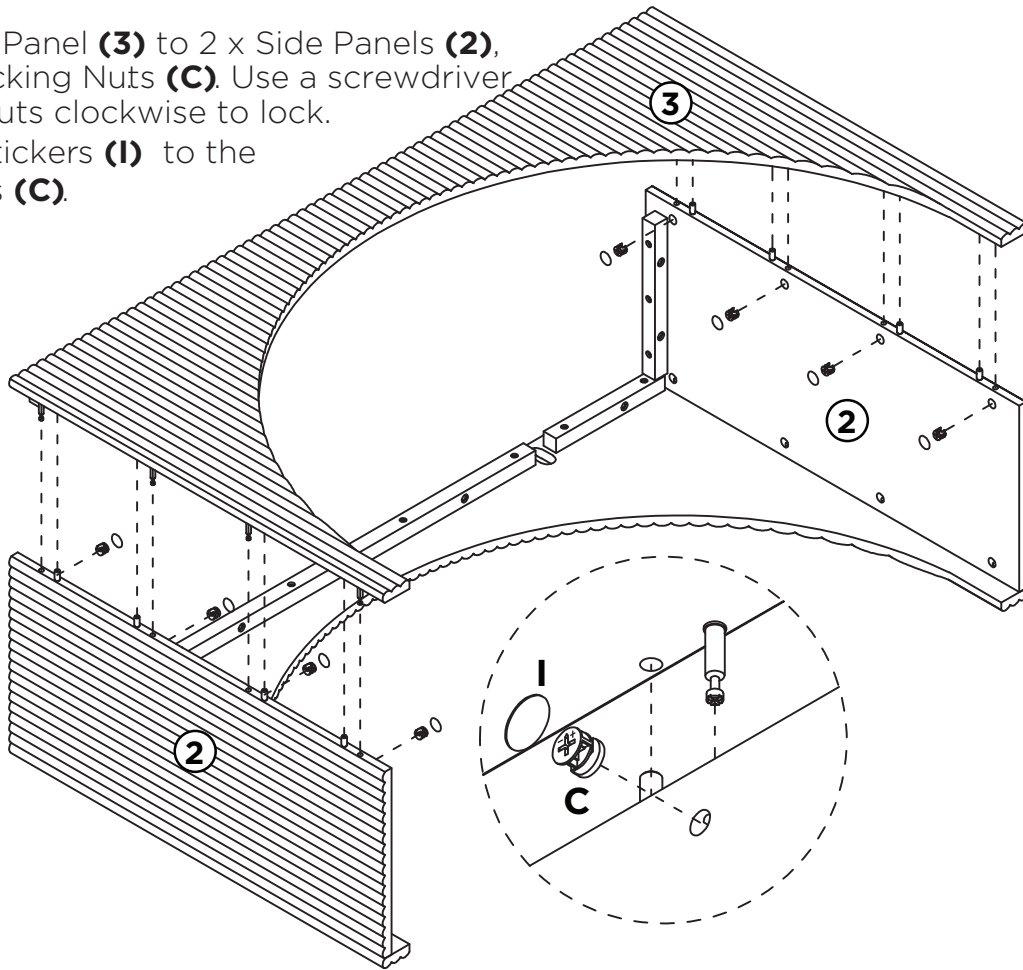
8 Bolts



5.

Attach Back Panel (3) to 2 x Side Panels (2), using 8 x Locking Nuts (C). Use a screwdriver to turn the nuts clockwise to lock.

Attach 8 x Stickers (I) to the Locking Nuts (C).



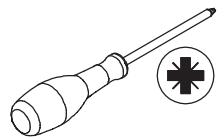
You will need:



8 Locking Nuts



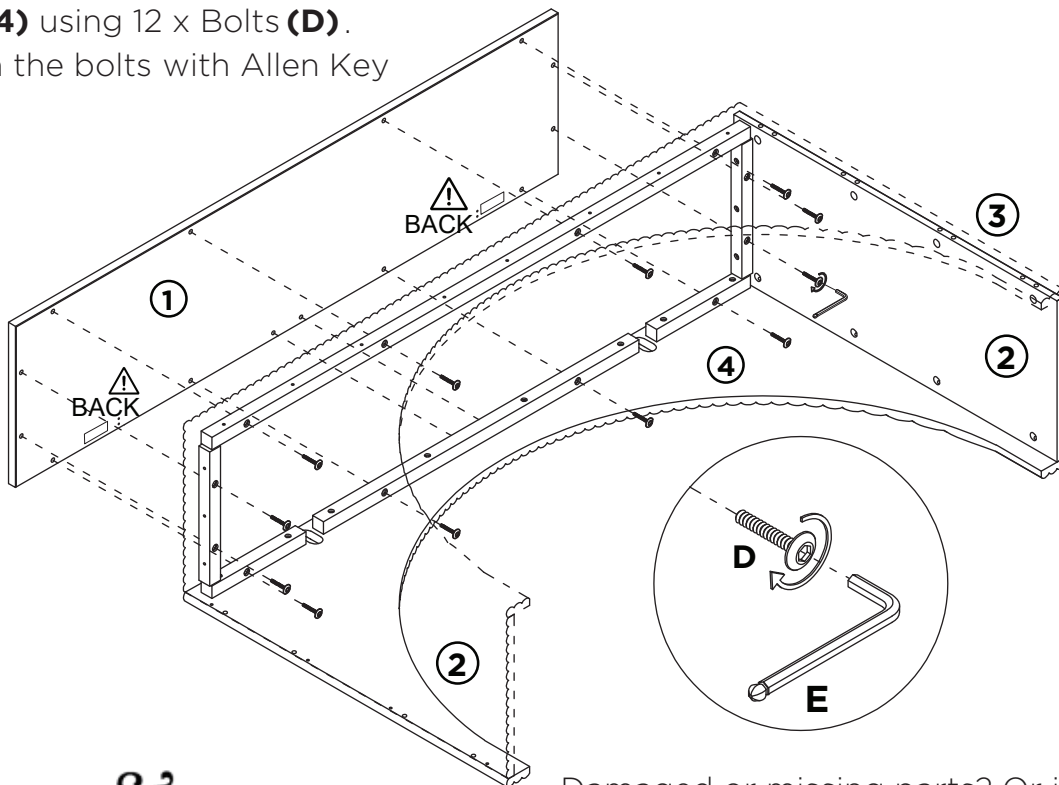
8 Stickers



6.

Attach Top Panel (1) to 2 x Side Panels (2), Front Panel (3) and Back Panel (4) using 12 x Bolts (D).

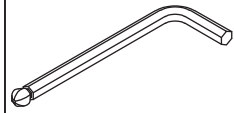
Tighten the bolts with Allen Key (E).



You will need:



12 Bolts

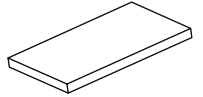


1 Allen Key

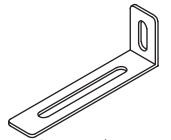
7.

Attach 4 x Felt Foot (**F**) to the Front Panel (**3**) and Back Panel (**4**). Loosely attach 2 x Brackets (**G**) to Table Top (**1**) with 4 x Screws (**H**). Using a screwdriver.

You will need:



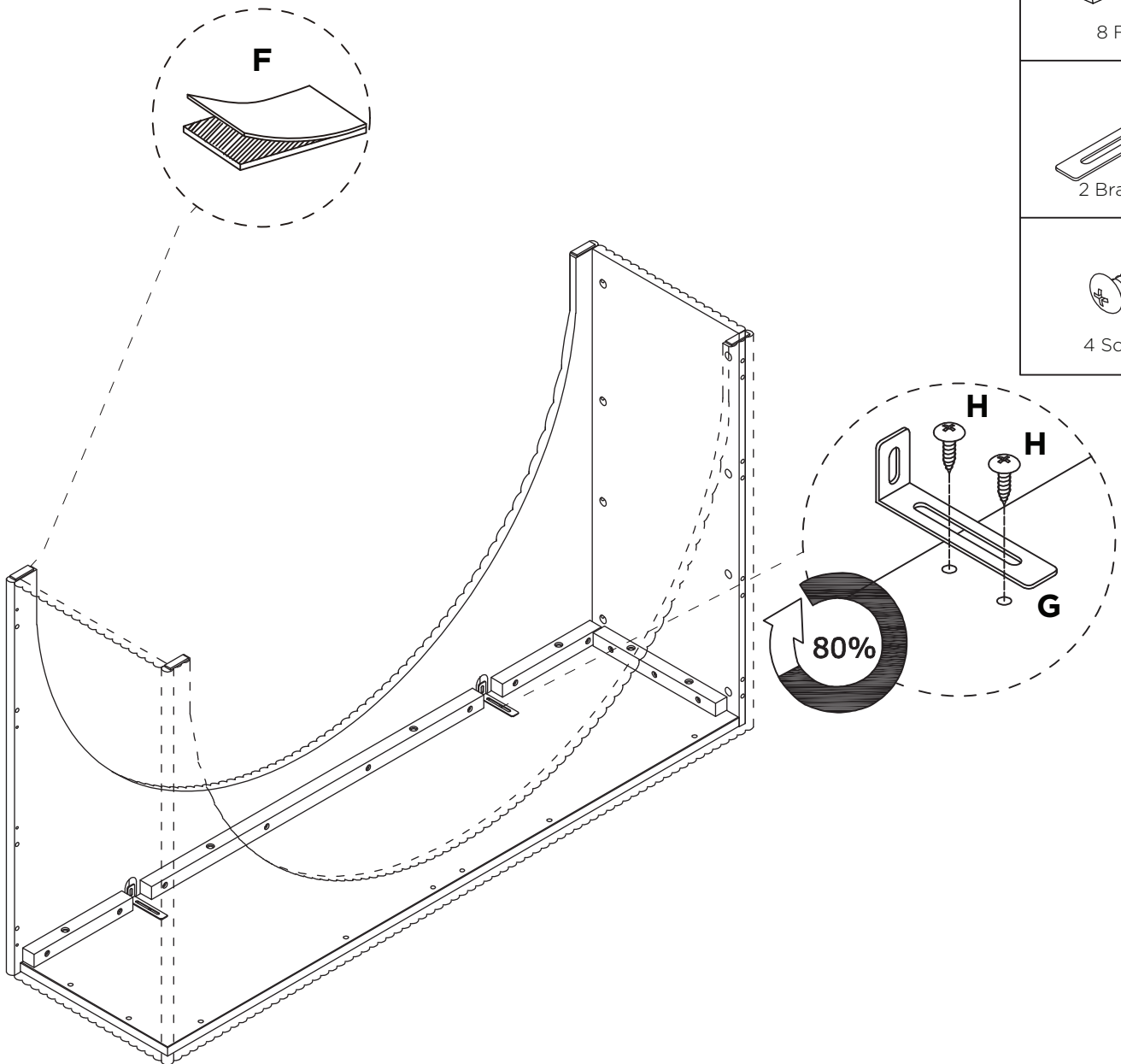
8 Felt



2 Brackets



4 Screws



8.

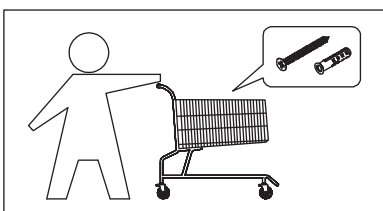
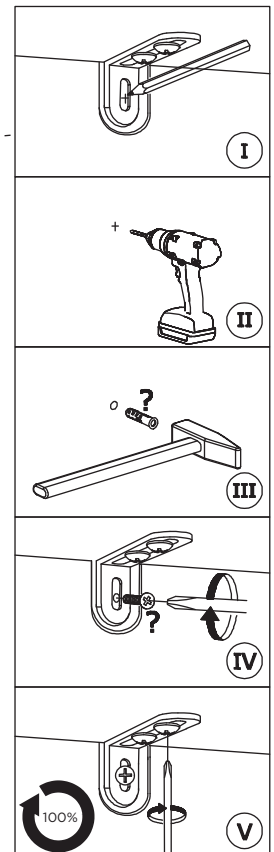
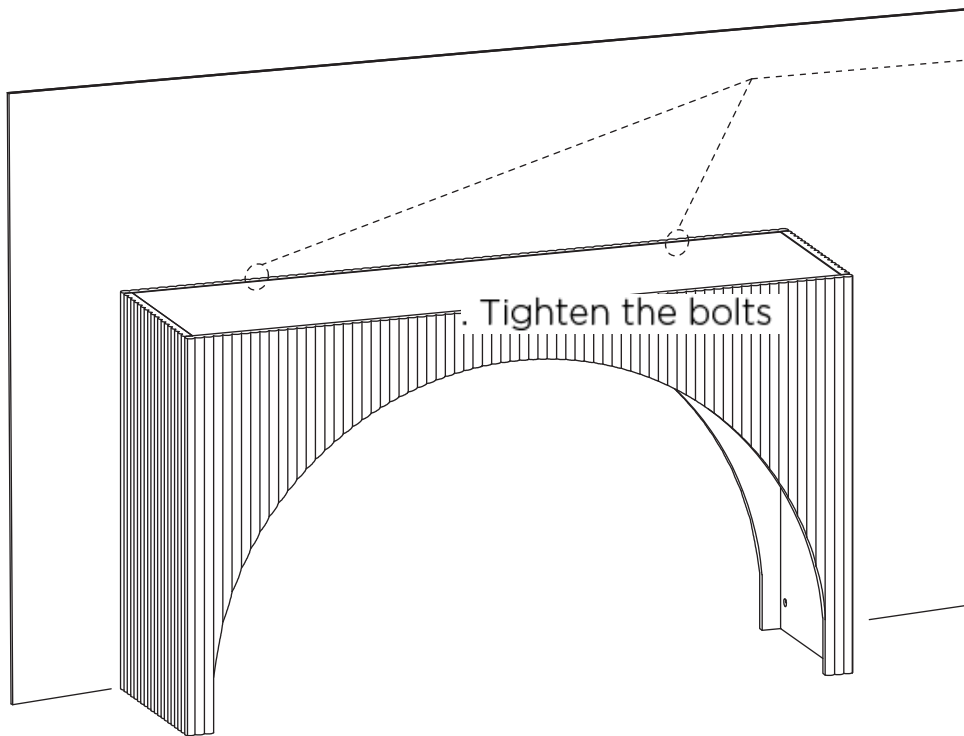
Anti-toppling warning:

Children have died from furniture tipover.

- ALWAYS secure it with an anchor device.
- NEVER allow children to stand, climb or hang on drawers, doors or shelves.
- NEVER open more than one drawer at a time
- Place heavy items down low.
- For advice on suitable fastening devices, contact your local specialized dealer.



For more information, visit <https://www.productsafety.gov.au>



With help, move Table into position.
Mark fixing hole on wall and remove Table.
Drill holes and insert wall plugs.
Reposition Table and fix it to wall using recommended screws.
Fully tighten screws on L-brackets.

9.

