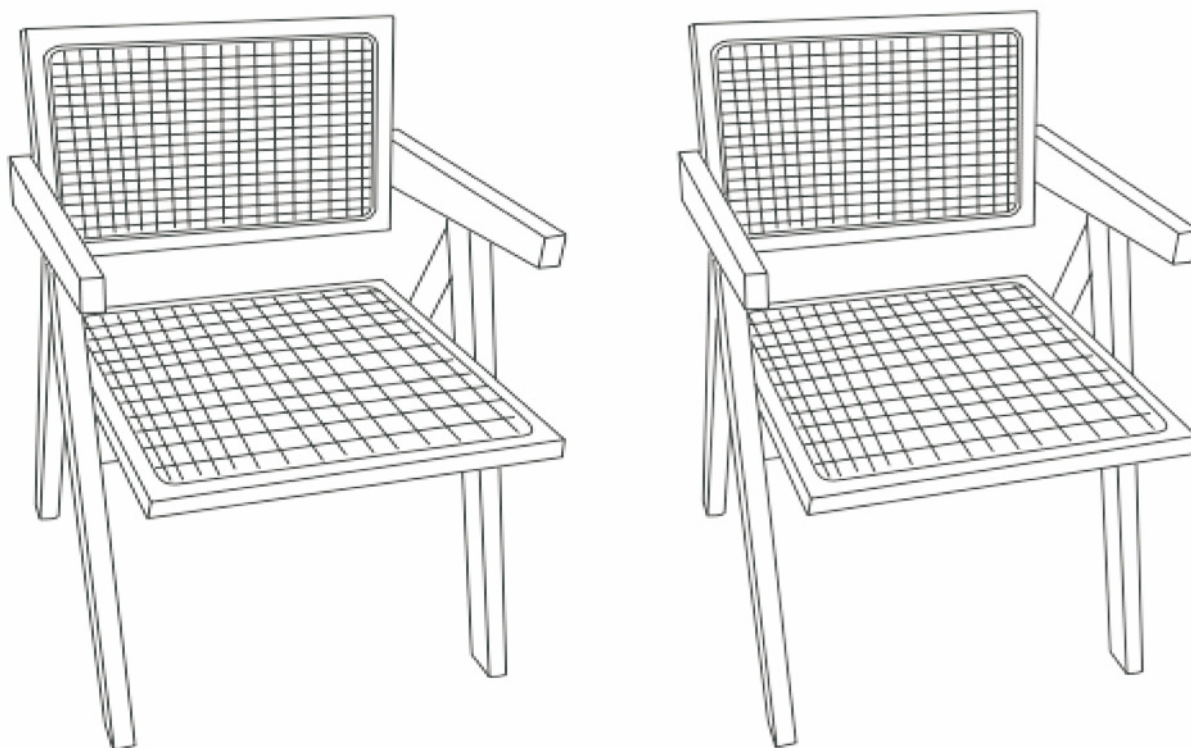


# IHOMDEC

## Assembly Instruction

### Rattan Dinning Armchairs

IHD-RTC01-OAK



---

#### **Customer Service Before Return :**

If part is missing or damaged, or you need help with assembly, please do not hesitate to contact us.

#### **SELLER CONTACT INFORMATION:**

[contacts@ihomdec.com](mailto:contacts@ihomdec.com)

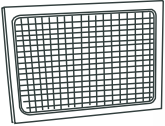
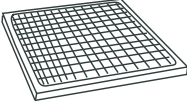
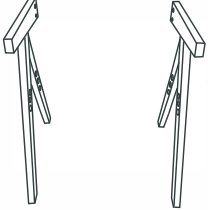
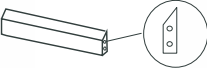


# Before Assembly





## IMPORTANT NOTE:

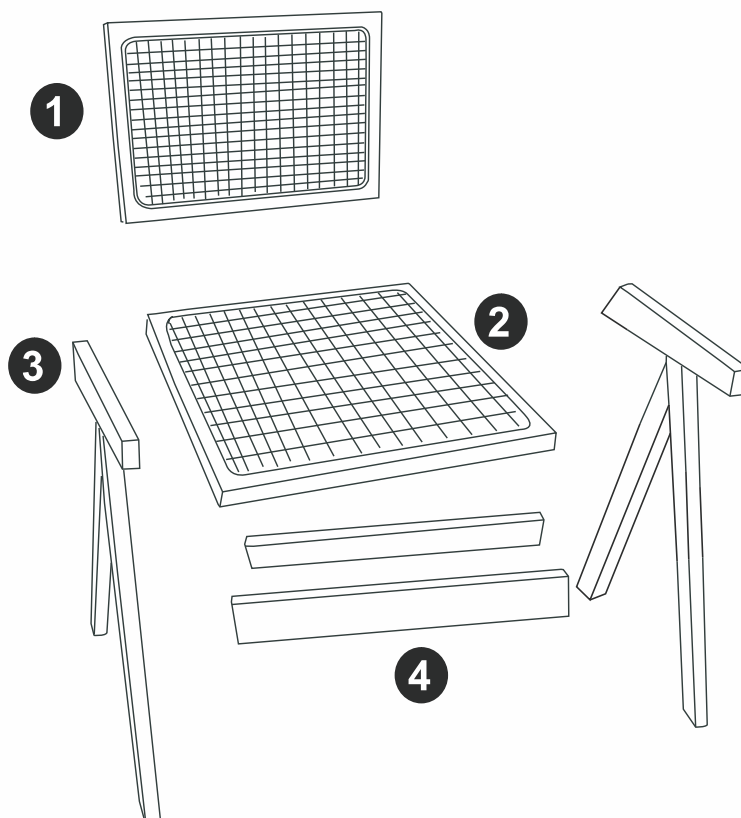
- Make sure all parts and hardware are included and free of obvious Defect before disposing of any packaging
- Place all wooden parts on a clean and smooth surface such as a rug or carpet to avoid the parts from being scratched.
- DO NOT tighten all screws and bolts until completely assembled.
- Assembly will require two people.

### PART LIST

1	2	3	4			
						
1 PC	1 PC	2PCS	2 PCS			

### HARDWARE LIST

A	B	C	D			
 M6x35						
16PCS	1 PC	12PCS	4 PCS			

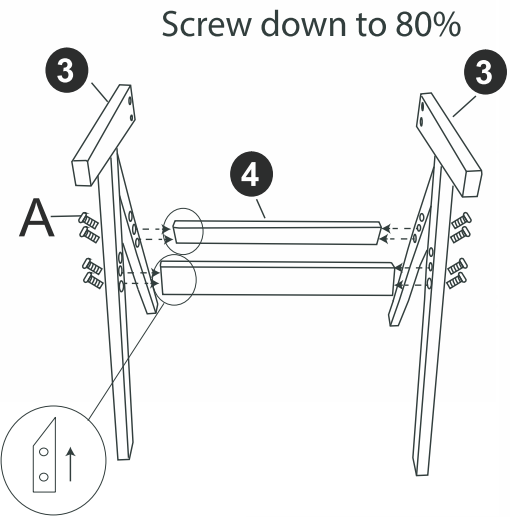


**NOTED:**

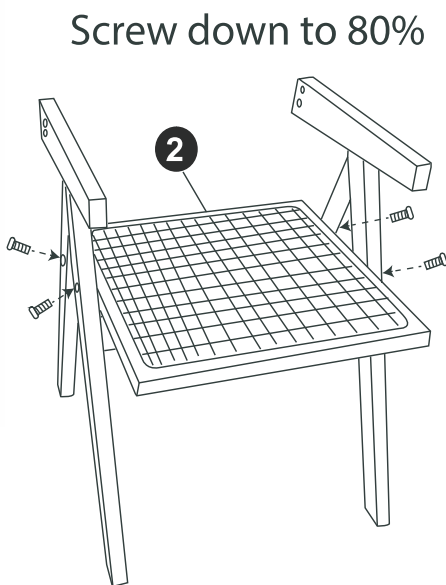
- 1. Do not fully tighten all bolts until all parts are in place. Failure to follow these instructions may cause the bolt to misalign during assembly.
- 2. To prevent injury and property damaged from unexpected tipping of furniture, we highly recommend installation of the anti-tip kit included with this product.

**Assembly Instruction**

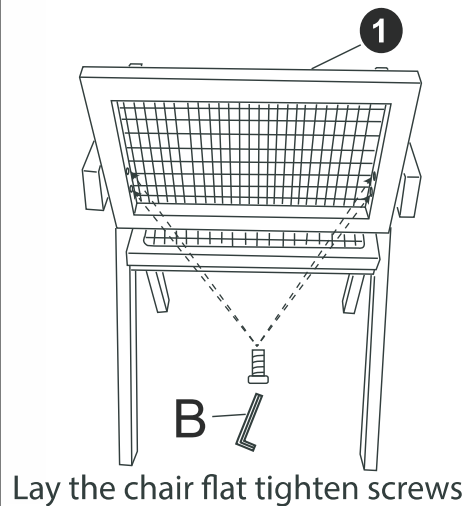
**Step 1**



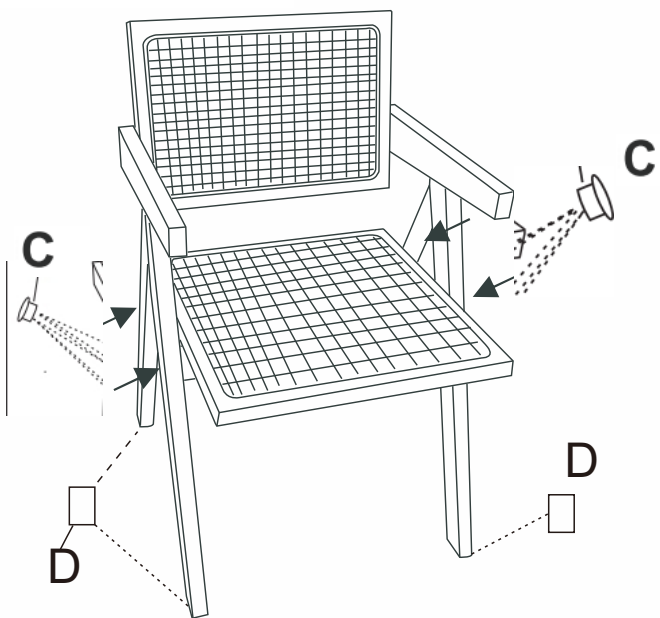
**Step 2**



**Step 3**



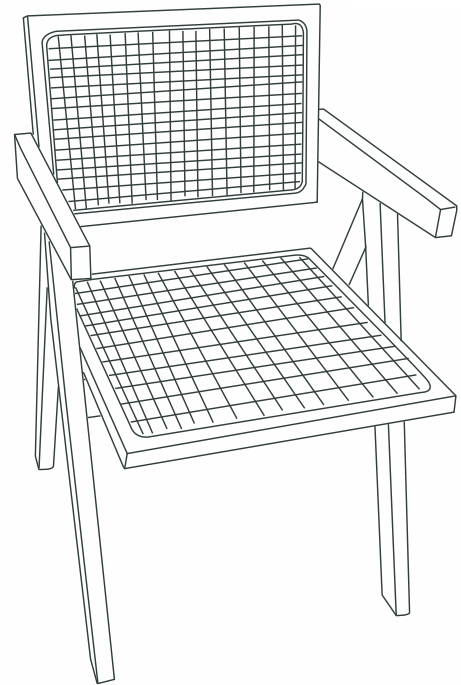
**Step 4**



Put the D on the bottom of the foot

Lay the chair flat tighten screws

**Step 5**



# **IHOMDEC FURNITURE PTY LTD**

## **FABRIC**

### **REGULAR CARE**

Protect from direct sunlight, direct heat and adverse weather conditions

Regularly clean and dust your upholstery with a clean dry cloth.

### **CLEANING**

Do not use shoe, floor, laundry or other harsh general cleaners.

Do not use shoe cream, general cleaning fluid or any saddlery products

Do not use any abrasive cleaning powders or pastes.

Do not use solvent, furniture, floor or shoe polishes.

Avoid any hard rubbing or scrubbing of the upholstery

Remove all liquid and food spills immediately

Clean contact areas of perspiration and body oils regularly

Always dust before cleaning

If using proprietary upholstery cleaners, do so strictly in accordance with the manufacturer's instructions.

Buff with a dry cloth.

Dry in shade away from direct heat or sunlight

### **SPOT CLEANING**

Clean as above. Persistent stains may require treatment by a professional cleaner

PLEASE NOTE that an excessive build up of perspiration or body oils may cause discolouration of the upholstery

**Made in China**

**Imported by Ihomdec Furniture Pty Ltd**

**610/566 St Kilda Road Meltourne VIC 3004**

**ABN:94 645 828 664**