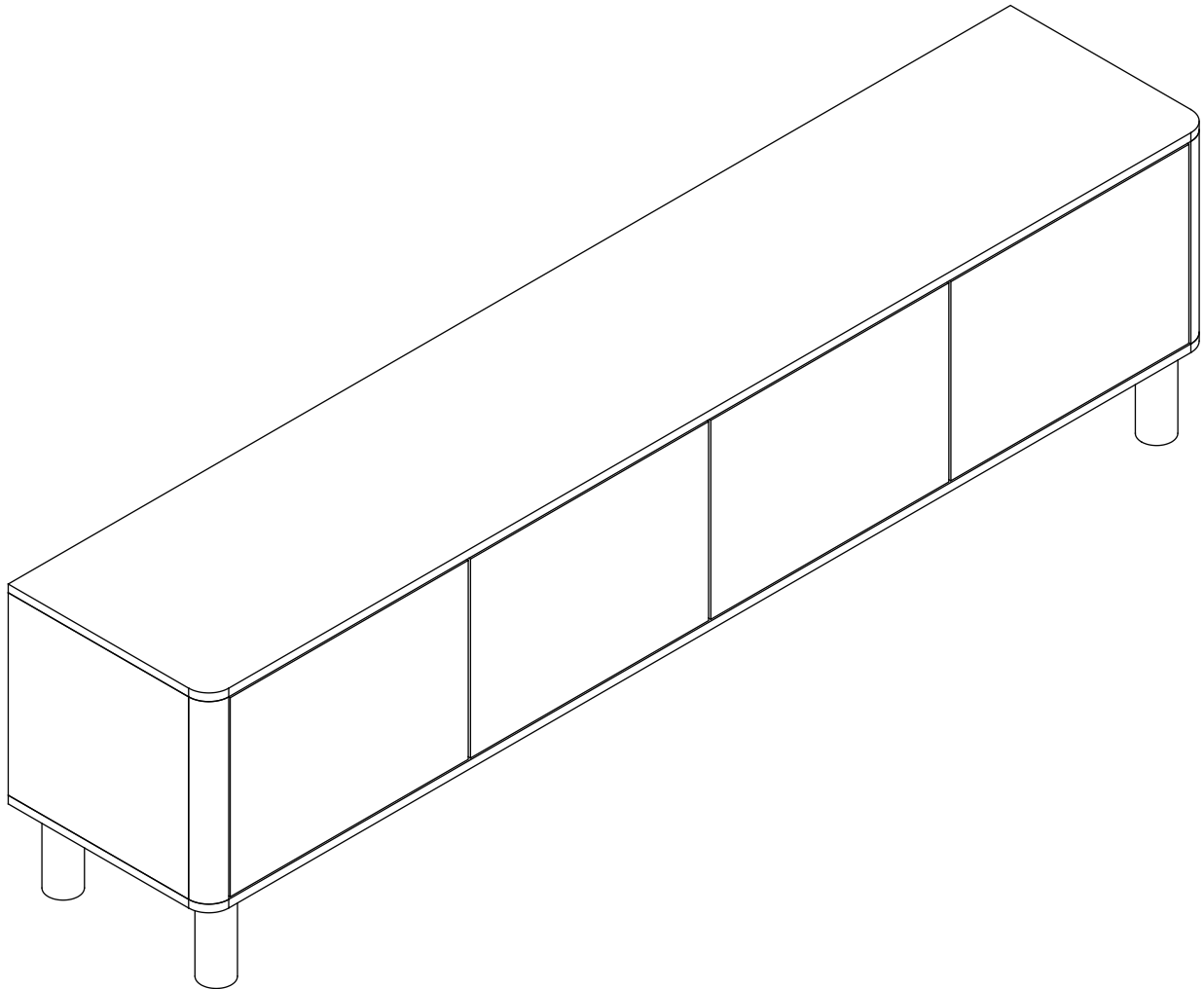


**TEMPLE &  
WEBSTER**

**ASSEMBLY  
INSTRUCTIONS**

---



---

**Rupert Tv Unit 200cm**

# Read first, enjoy forever

## Assembly tips

- Assemble your product on a level surface and lay something soft underneath to protect potential floor damage.
- Don't over tighten screws. During assembly we recommend tightening to approximately 70% tightness. Only tighten hardware 100% when fully assembled.
- Keep children away from assembly area as bags and small parts can pose a choking hazard.
- Make sure you have enough space to layout parts before starting. We recommend assembling your item in its final location.
- Do not stand on or put weight on the parts as it may warp or damage product.
- We do not recommend the use of drills or power tools (unless specified) as it may damage the product or hardware. Use hand held screwdrivers only.
- It is best that two people assemble the product as some products may be too heavy for one person. Check this booklet for guidance.

## Safety, care and maintenance

- To reduce the risk of injury, always secure storage furniture to walls and/or floors by using tip-over restraints.
- Never let children climb or hang on drawers, doors or shelves.
- To protect your product and your home, we recommend using coasters, placemats, rugs and other protective items.
- Screws may loosen over time. We recommend setting a reminder to tighten up every six months.
- Remove any liquid spills immediately using a clean cloth with mild detergent. Do not use bleach or abrasive cleaners. Always test any cleaning agent in an inconspicuous spot first to know if it is suitable.

## Recycling

We hope that you love your product forever, but we know situations change. In the event that you wish to dispose of your product please consider some creative ways to give it a new home:

- If it's still in great shape, sell it on your favourite online marketplace!
- Give it a second life by affording it a fresh coat of paint.
- If you must dispose of it, why not donate it to your local charity or shelter for someone else to enjoy.

Please dispose of this product and packaging responsibly and recycle where possible. Scan the QR code to read more about Temple and Webster's commitment to a more sustainable future.



# Important safety instructions

## **DANGER!**

Children have died from furniture tip over.

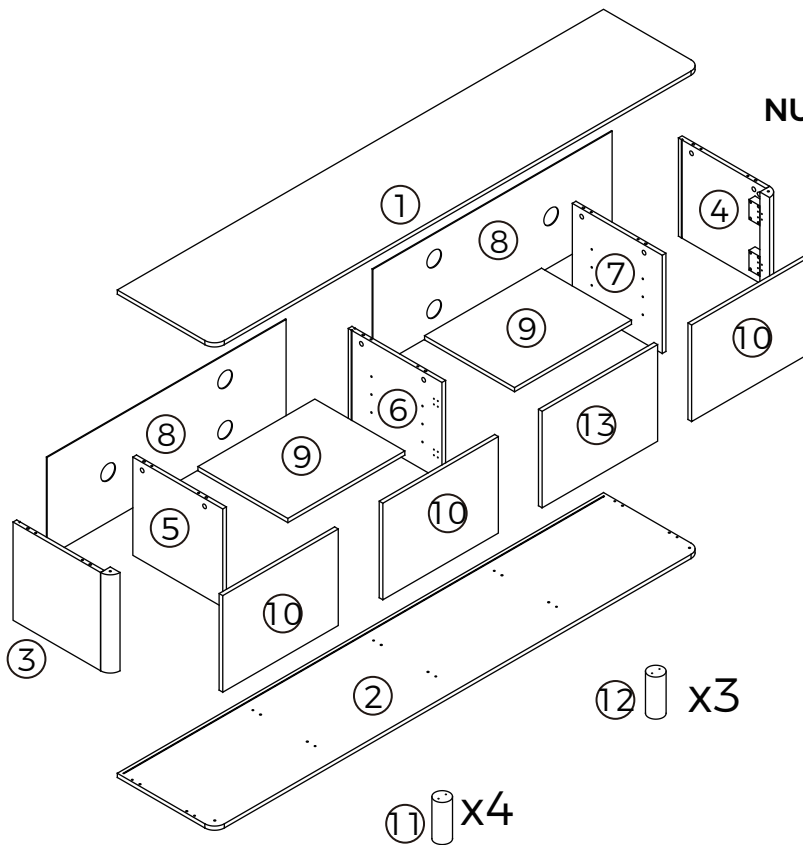
### **Toppling Hazard Warning**

- ALWAYS secure items with an anchor device
- For safety reasons, we recommend you follow the provided instructions
- When installed properly, the provided hardware may prevent the unit from tipping over unexpectedly.
- Never let children climb or hang on drawers, doors or shelves.
- NEVER open more than one drawer at a time
- Place heavy items down low
- For advice on suitable fastening devices, contact your local specialized dealer



# Parts List

Rupert Tv Unit 200cm  
FJRUTVOO








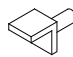





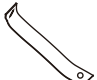




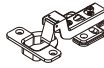

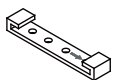
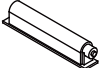


NUMBER OF PEOPLE REQUIRED FOR ASSEMBLY:

2

TOOLS REQUIRED FOR ASSEMBLY

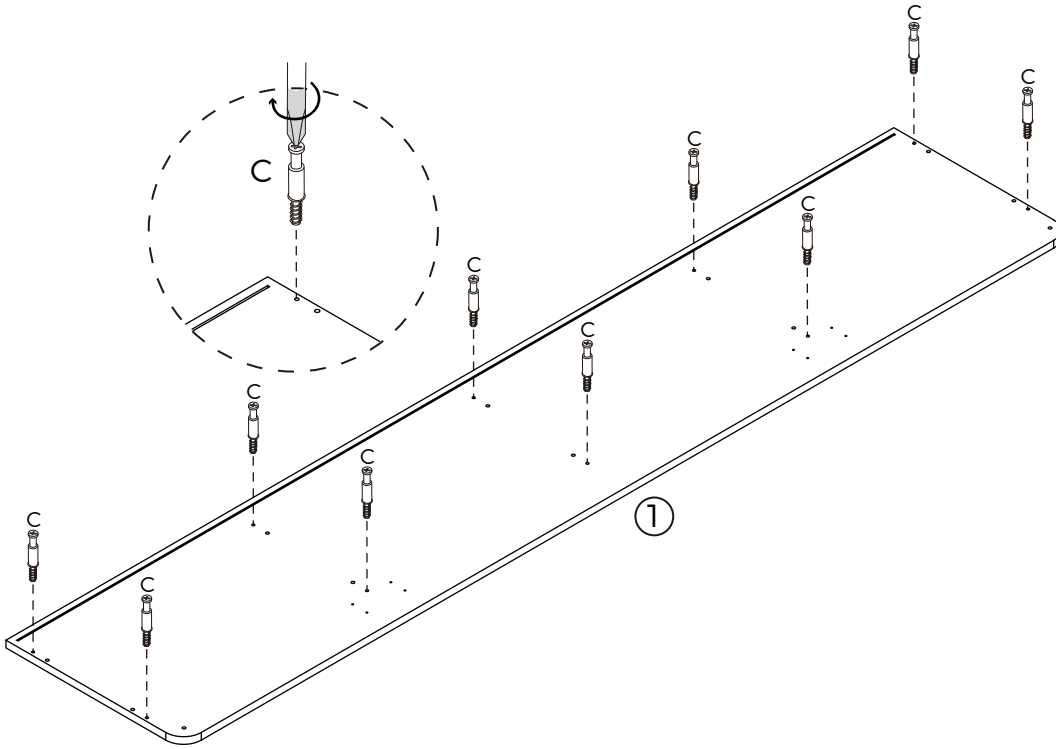


## Hardware

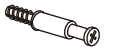
<b>A</b>  Dowels x24	<b>B</b>  Long Screws x24	<b>C</b>  Cam Bolts x10	<b>D</b>  Cam Nuts x10	<b>E</b>  Small Screws x8	<b>F</b>  Shelf Plugs x8	<b>G</b>  Felt Pads x4	<b>H</b>  Screws x28
<b>I</b>  Brackets x7	<b>J</b>  Wedges x8	<b>K</b>  Wedge Screws x8	<b>L</b>  Safety Straps x2	<b>M</b>  Screws x2	<b>N</b>  Wall Plugs x2	<b>O</b>  Wall Screws x2	<b>P</b>  Washers x4
<b>Q</b>  Hinges x4	<b>R</b>  Hinge Screws x48	<b>S</b>  Brackets x4	<b>T</b>  Covers x4	<b>U</b>  Adjusters x3	<b>V</b>  Hinges x4		

# 1.

Attach 10 x Cam Bolts (C) to Panel [1].



## You will need



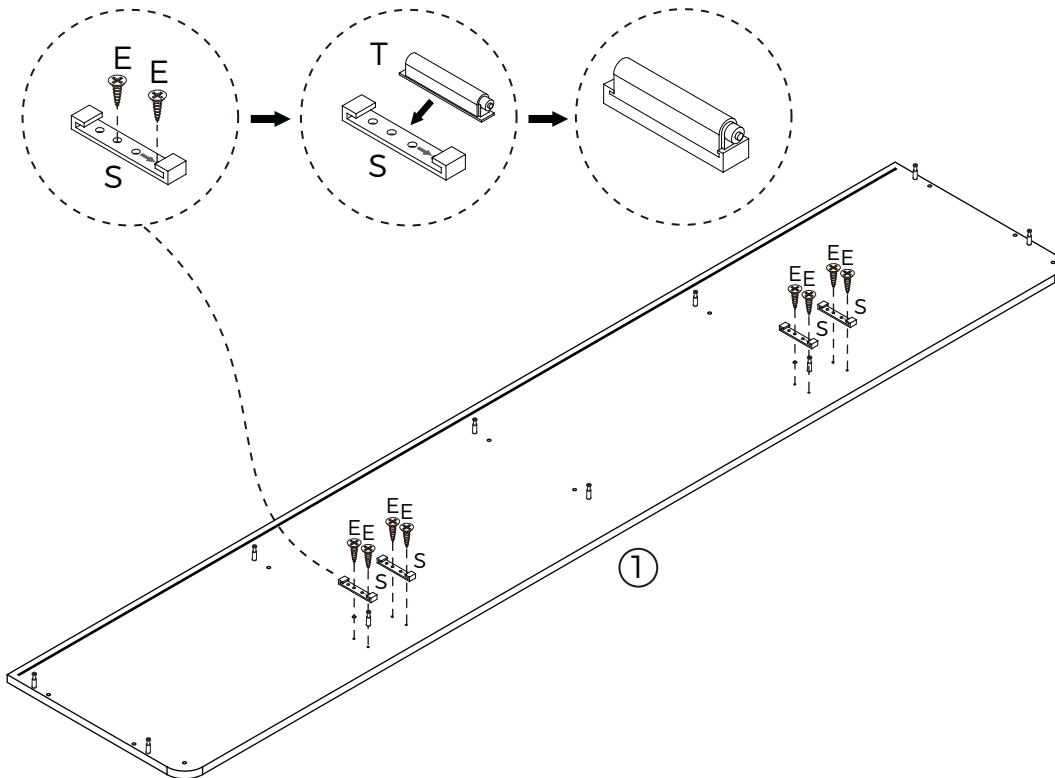
10 Cam Bolts



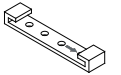
Phillips Head  
Screwdriver

# 2.

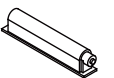
Attach 4 x Brackets (S) to Top Panel [1] and secure with 8 x Small Screws (E). Place 4 x Covers (T) over the Brackets (S).



## You will need



4 Brackets



4 Covers



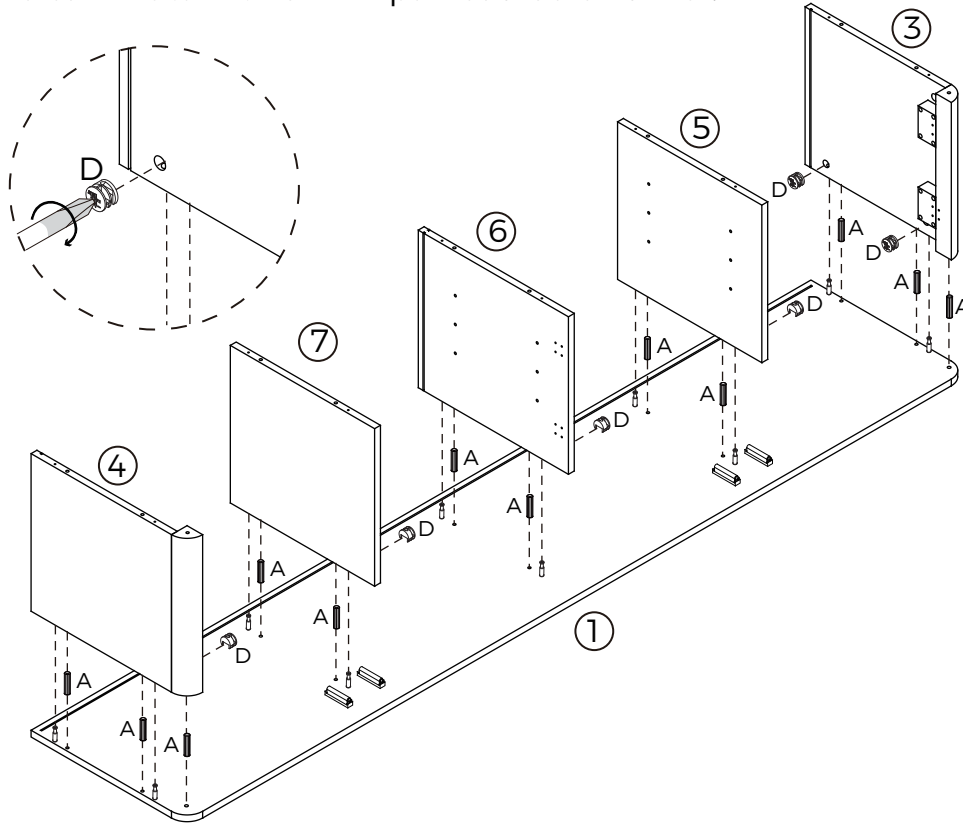
8 Small Screws



Phillips Head  
Screwdriver

### 3.

Insert 12 x Dowels (A) to Panel [1]. Insert 10 x Cam Nuts (D) into the holes of panels [3 & 4 & 5 & 6 & 7]. Rotate the cam nuts so the arrows point towards the incoming cam bolts. Push Panels [3 & 4 & 5 & 6 & 7] into place and tighten the cam nuts with a Phillips Head Screwdriver.



#### You will need



12 Dowels



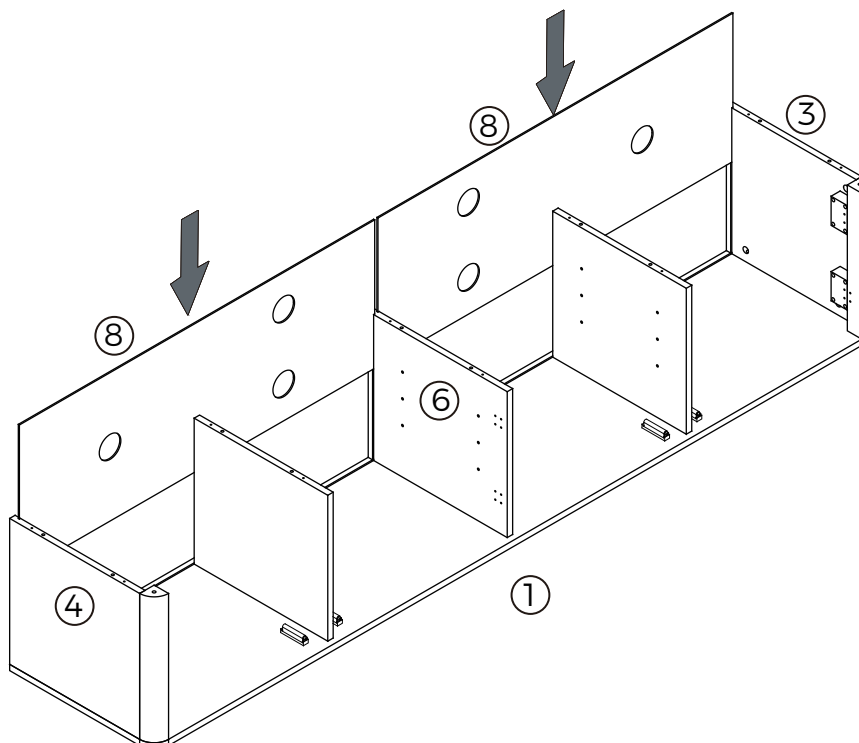
10 Cam Nuts



Phillips Head Screwdriver

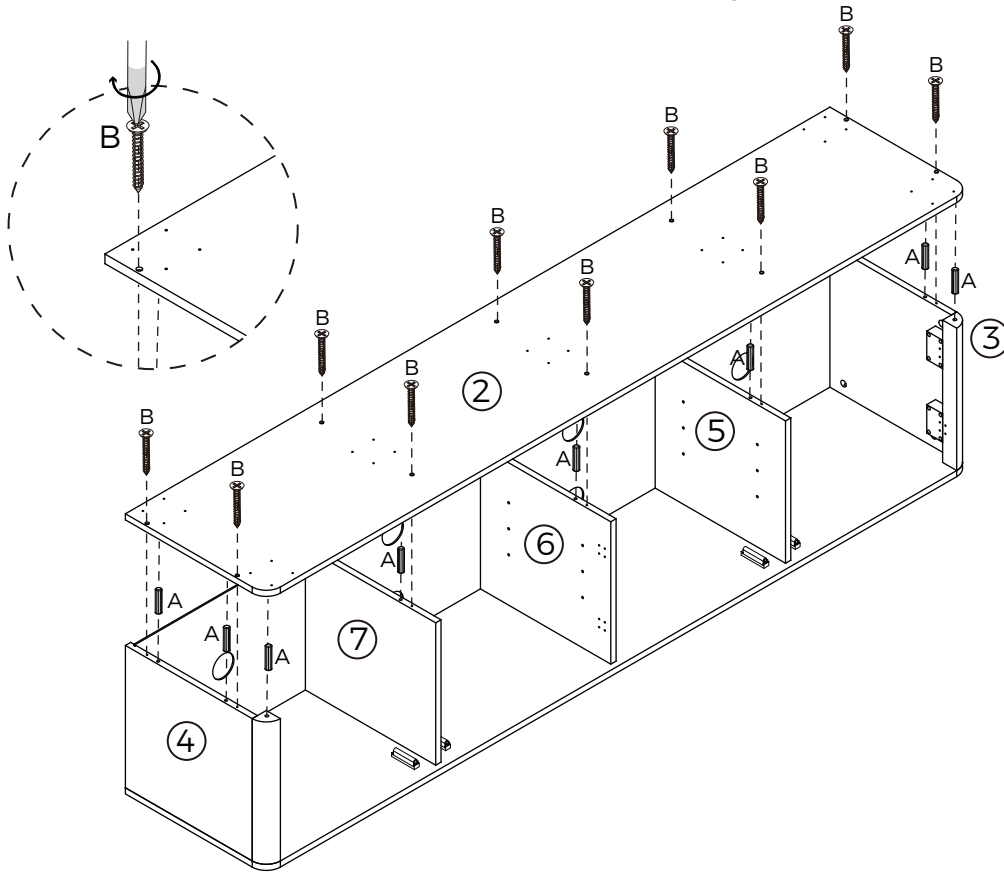
### 4.

Insert Back Panels [8] into the grooves of Panel [3 & 4 & 6].

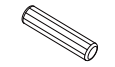


# 5.

Insert 12 x Dowels (A) to Panels [3 & 4 & 5 & 6 & 7]. Attach Panel [2] to Panels [3 & 4 & 5 & 6 & 7] and secure with 10 x Long Screws (B).



## You will need



12 Dowels



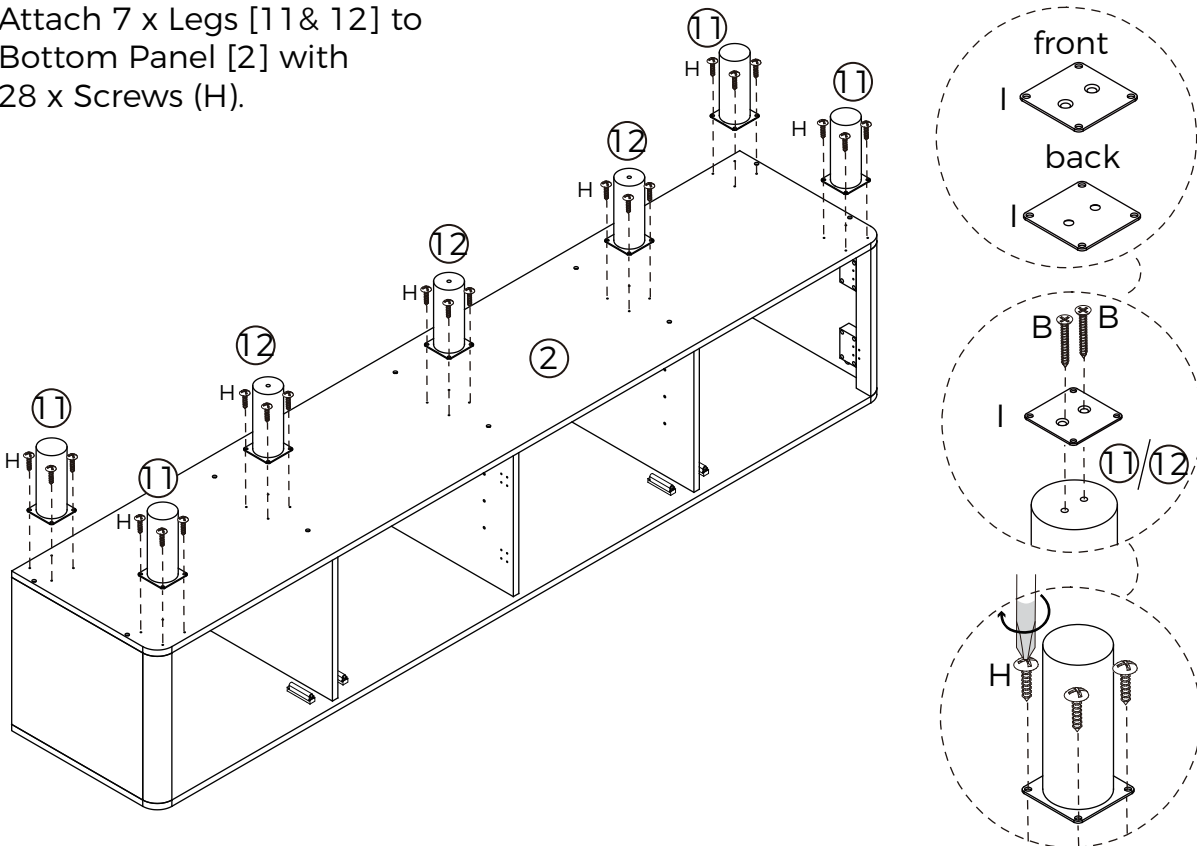
10 Long Screws



Phillips Head Screwdriver

# 6.

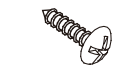
Attach 7 x Brackets (I) to Legs [11 & 12] with 14 x Long Screws (B). Attach 7 x Legs [11 & 12] to Bottom Panel [2] with 28 x Screws (H).



## You will need



14 Long Screws



28 Screws



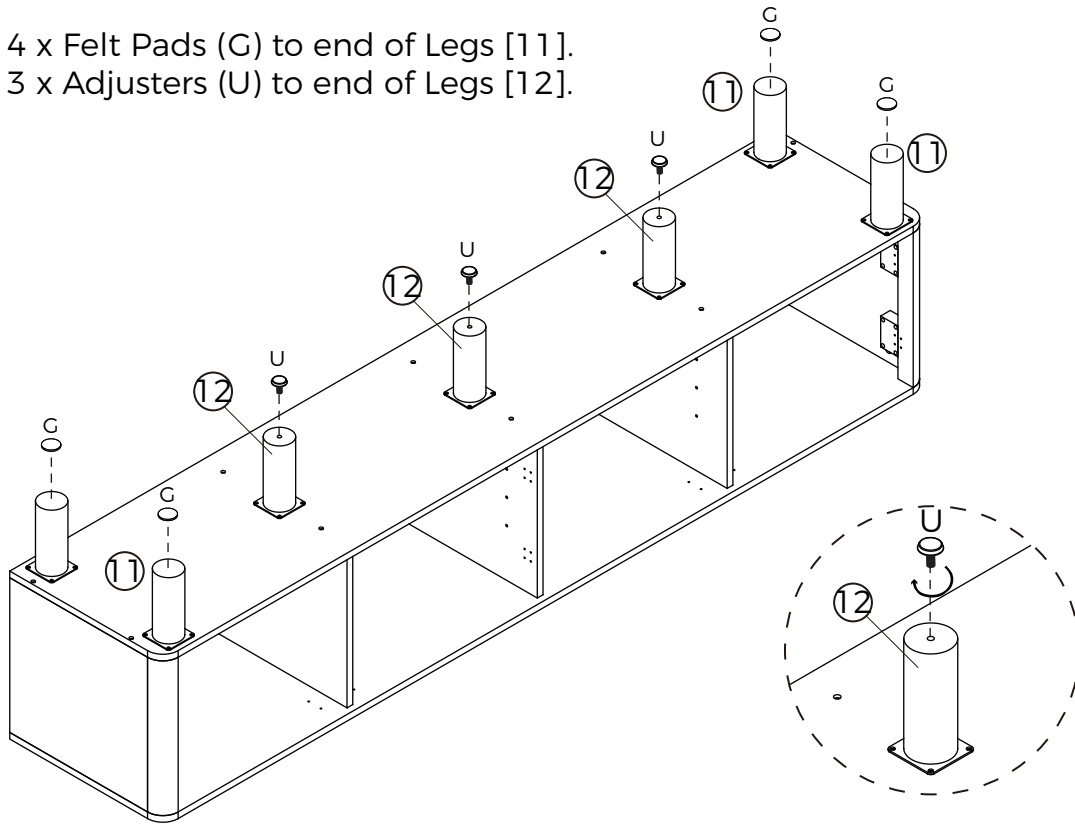
7 Brackets



Phillips Head Screwdriver

# 7.

Attach 4 x Felt Pads (G) to end of Legs [11].  
 Attach 3 x Adjusters (U) to end of Legs [12].



## You will need



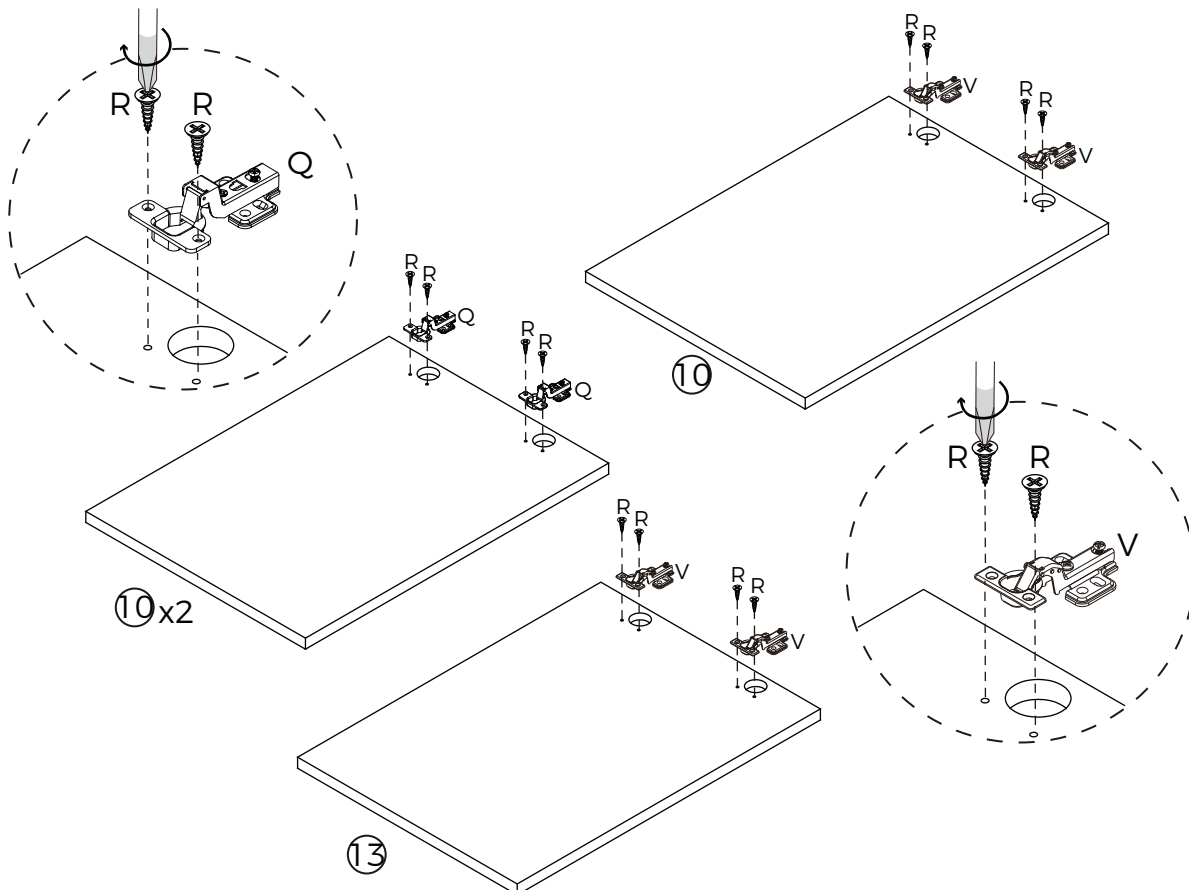
4 Felt Pads



3 Adjusters

# 8.

Attach 4 x Hinges (Q) and 4 x Hinges (V) to Doors [10 & 13] with 16 x Hinge Screws (R).



## You will need



4 Hinges



4 Hinges



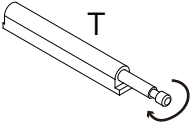
16 Hinge Screws



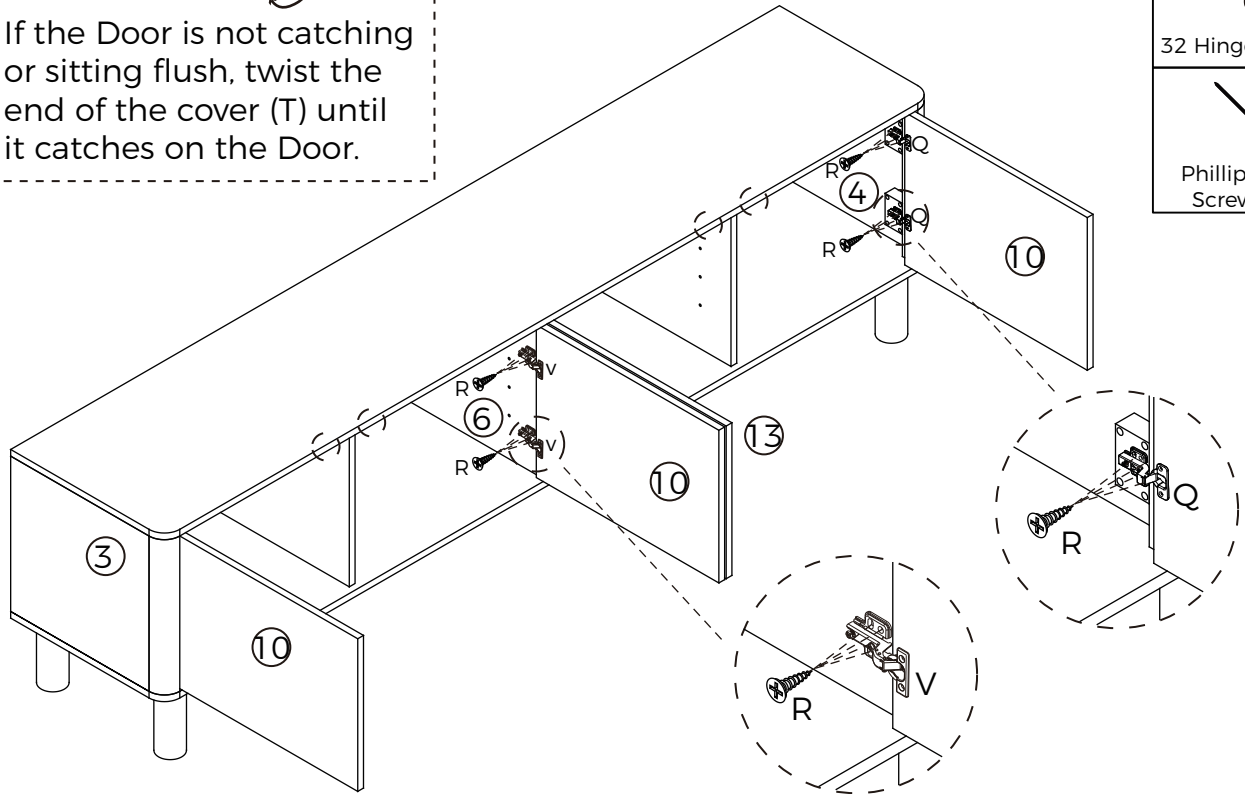
Phillips Head Screwdriver

# 9.

Attach Doors [10 & 13] to Panels [3 & 4 & 6] with 32 x Hinge Screws (R).




If the Door is not catching or sitting flush, twist the end of the cover (T) until it catches on the Door.



**You will need**



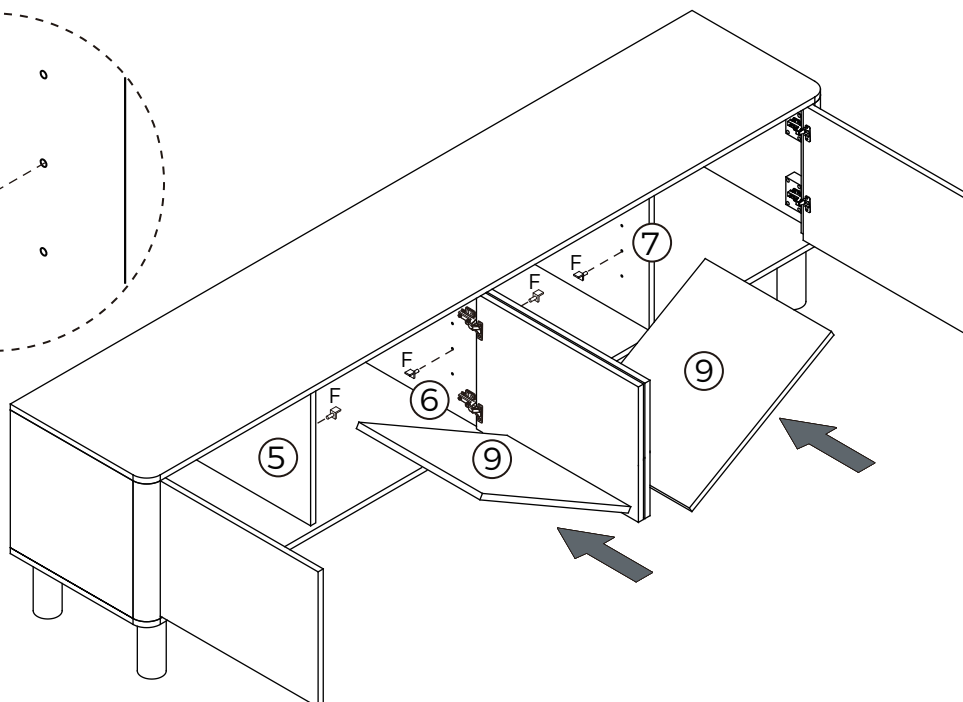
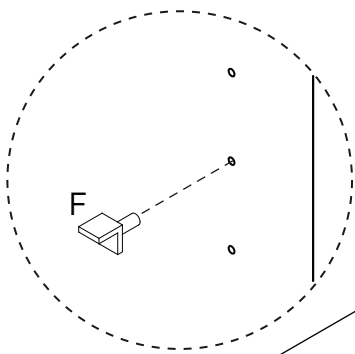
32 Hinge Screws



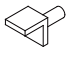
Phillips Head Screwdriver

# 10.

Insert 8 x Shelf Plugs (F) into the end cavities of the cabinet.  
Insert the 2 x Shelf Panels [9] and balance on top of the plugs.



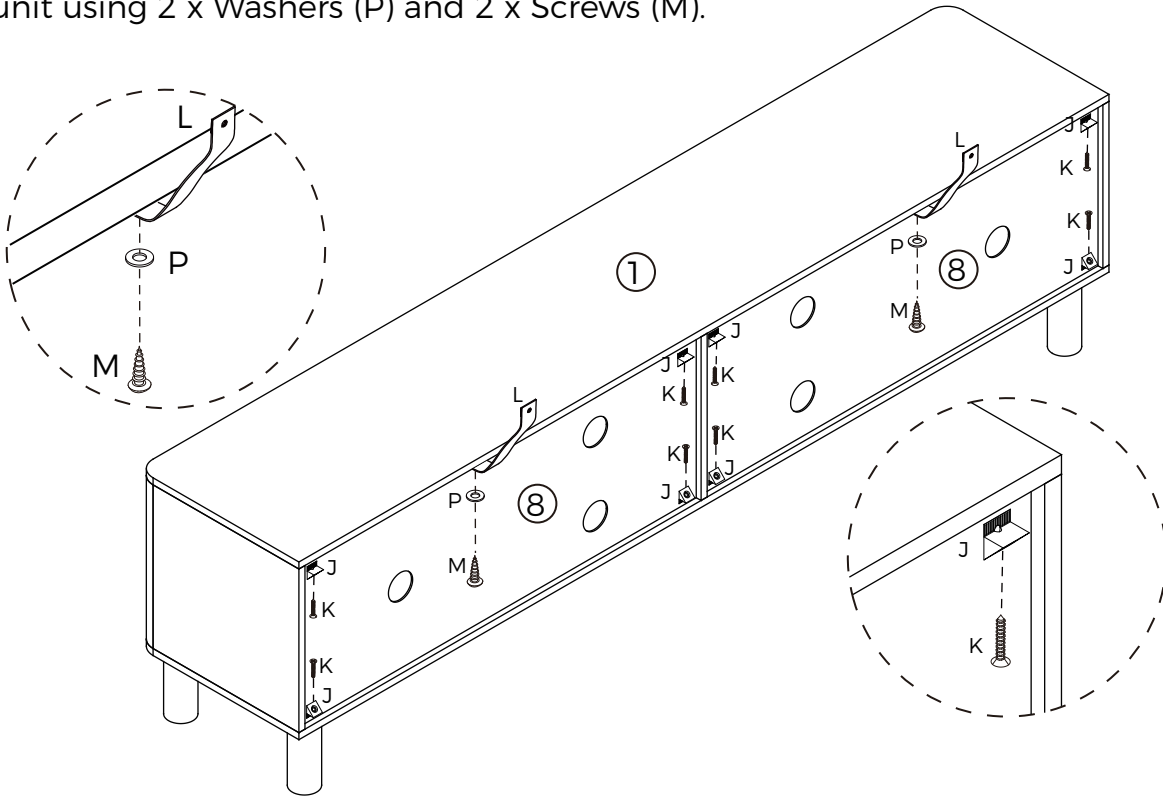
**You will need**



8 Shelf Plugs

# 11.

Secure Back Panel [8] in place with 8 x Wedges (J) using 8 x Screws (K). Attach 2 x Safety Straps (L) to the Top Panel [1] of the back side of the unit using 2 x Washers (P) and 2 x Screws (M).



## You will need



2 Safety Straps



2 Screws



2 Washers



8 Wedges



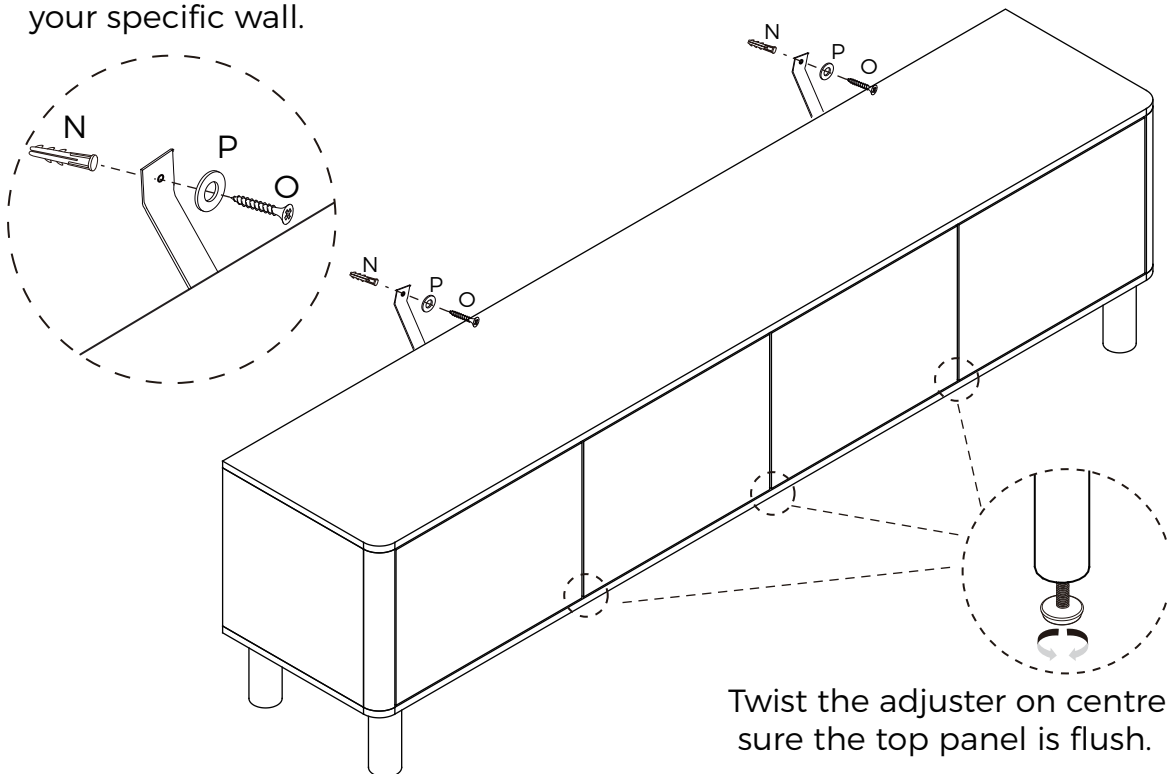
8 Wedges Screws



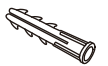
Phillips Head Screwdriver

# 12.

Move the unit to the final position. Fasten the safety strap to your wall using appropriate fixings for your wall type. If you are unsure, please seek professional advice on how to attach this safety strap to your specific wall.



## You will need



2 Wall Plugs



2 Wall Screws



2 Washers



Phillips Head Screwdriver

Twist the adjuster on centre leg to make sure the top panel is flush.

**HOW TO ADJUST THE HINGES TO ALIGN THE DOORS IF NEEDED.**

