

210cm Hayley Fluted Tv Unit -Oak

Assembly tips

- Assemble your product on a level surface and lay something soft underneath to protect potential floor damage.
- Don't over tighten screws. During assembly we recommend tightening to approximately 70% tightness. Only tighten hardware 100% when fully assembled.
- Keep children away from assembly area as bags and small parts can pose a choking hazard.
- Make sure you have enough space to layout parts before starting. We recommend assembling your item in its final location.
- Do not stand on or put weight on the parts as it may warp or damage product.
- We do not recommend the use of drills or power tools (unless specified) as it may damage the product or hardware. Use hand held screwdrivers only.
- It is best that two people assemble the product as some products may be too heavy for one person. Check this booklet for guidance.

Safety, care and maintenance

- ALWAYS secure it with an anchor device
- Never let children climb or hang on drawers, doors or shelves.
- NEVER open more than one drawer at a time
- Place heavy items down low
- For advice on suitable fastening devices, contact your local specialized dealer.
- To protect your product and your home, we recommend using coasters, placemats, rugs and other protective items.
- Screws may loosen over time. We recommend setting a reminder to tighten up every six months.
- Remove any liquid spills immediately using a clean cloth with mild detergent. Do not use bleach or abrasive cleaners. Always test any cleaning agent in an inconspicuous spot first to know if it is suitable.

Recycling

We hope that you love your product forever, but we know situations change. In the event that you wish to dispose of your product please consider some creative ways to give it a new home:

- If it's still in great shape, sell it on your favourite online marketplace!
- Give it a second life by affording it a fresh coat of paint.
- If you must dispose of it, why not donate it to your local charity or shelter for someone else to enjoy.

Please dispose of this product and packaging responsibly and recycle where possible. Scan the QR code to read more about Temple and Webster's commitment to a more sustainable future.



Important safety instructions

DANGER!

Children have died from furniture tip over.

Toppling Hazard Warning

- ALWAYS secure items with an anchor device
- For safety reasons, we recommend you follow the provided instructions
- When installed properly, the provided hardware may prevent the unit from tipping over unexpectedly.
- Never let children climb or hang on drawers, doors or shelves.
- NEVER open more than one drawer at a time
- Place heavy items down low
- For advice on suitable fastening devices, contact your local specialized dealer



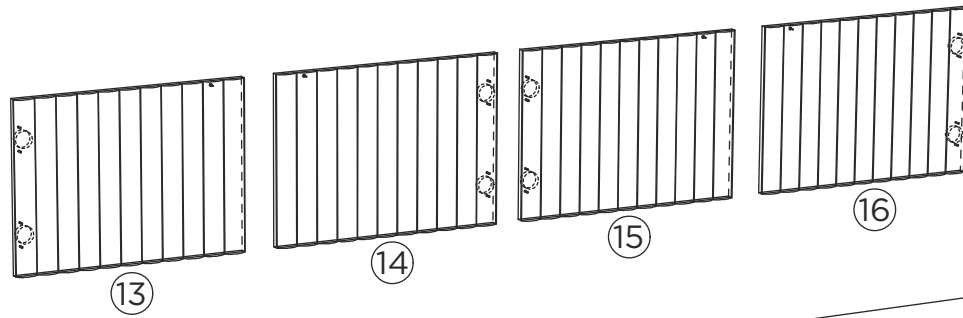
Parts list

210cm Hayley Fluted Tv Unit -Oak

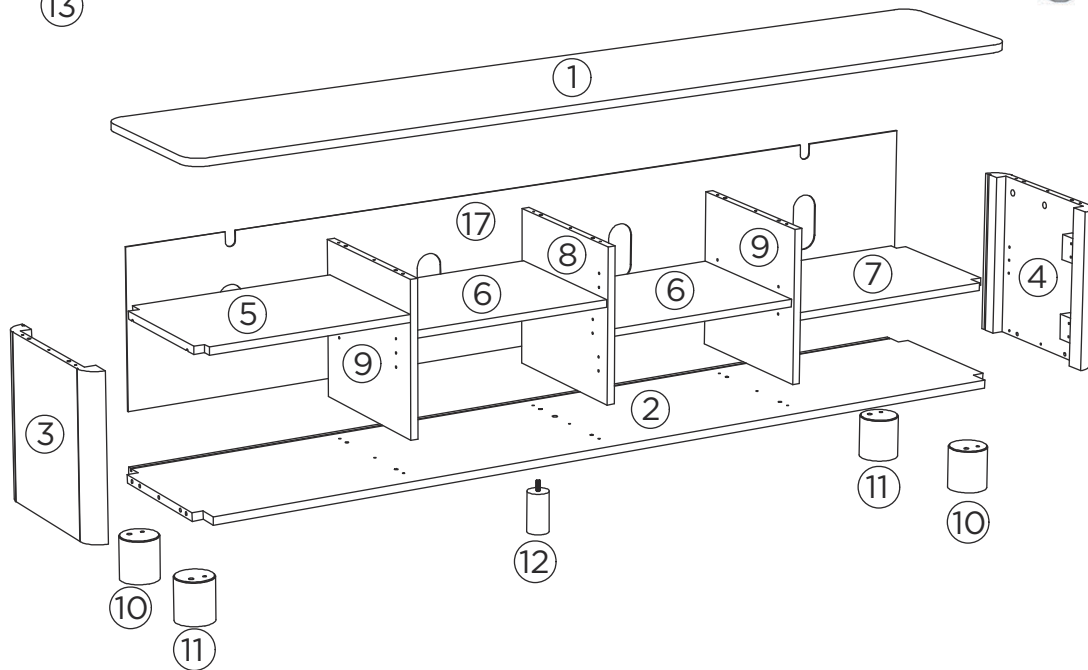
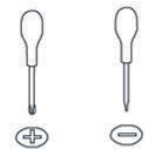
SBHYTVOK




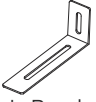







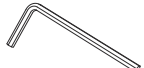
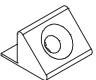
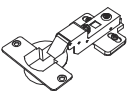
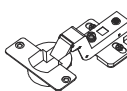
NUMBER OF PEOPLE REQUIRED FOR ASSEMBLY:

2



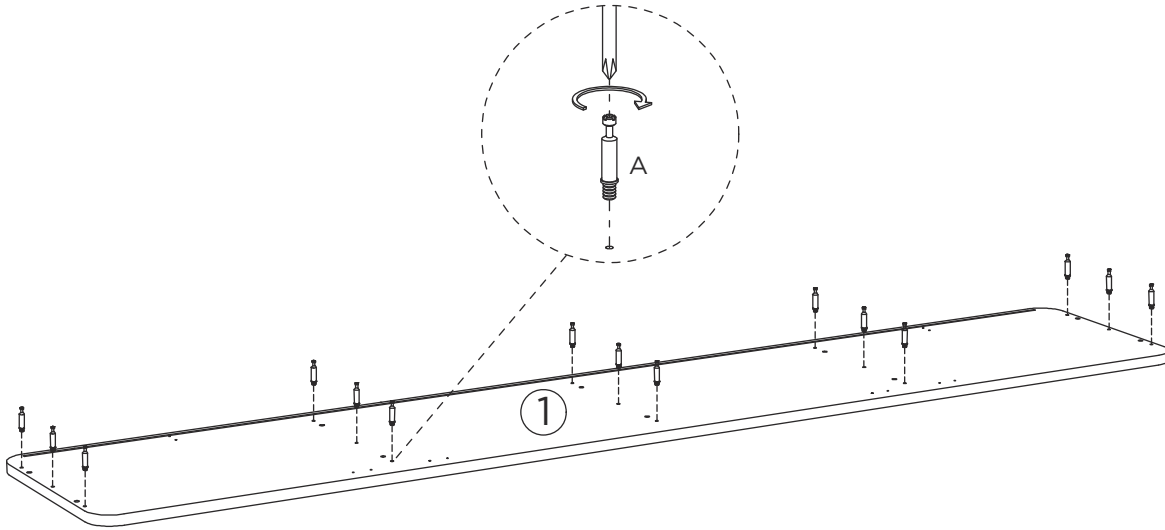
TOOLS REQUIRED FOR ASSEMBLY



<p>A</p>  <p>30 x Cam Bolts Ø6x44mm</p>	<p>B</p>  <p>30 x Cam Nuts Ø15x12mm</p>	<p>C</p>  <p>24 x Dowels Ø8x30mm</p>	<p>D</p>  <p>2 x L-Bracket 75x25x15mm</p>	<p>E</p>  <p>18 x Dome Screws Ø3.5x16mm</p>	<p>F</p>  <p>4 x Felt Pads Ø60x3mm</p>	<p>G</p>  <p>4 x Bolts M8x95mm</p>	<p>H</p>  <p>16 x Shelf Supports Ø5x16mm</p>
<p>I</p>  <p>4 x Strike plate 20x20x1mm</p>	<p>J</p>  <p>4 x Magnetic Latches</p>	<p>K</p>  <p>34 x Screws Ø3.5x16mm</p>	<p>L</p>  <p>1 x Allen Key 5mm</p>	<p>M</p>  <p>14 x Back Panel Connectors</p>	<p>N</p>  <p>4 x Hinges FK9</p>	<p>O</p>  <p>4 x Hinges FK17</p>	

1.

Use a clean, flat, soft surface to avoid any bumps or scratches.
Screw 15 x Cam Bolts **(A)** into Top panel **(1)** with the Phillips Head Screwdriver as shown.



You will need:



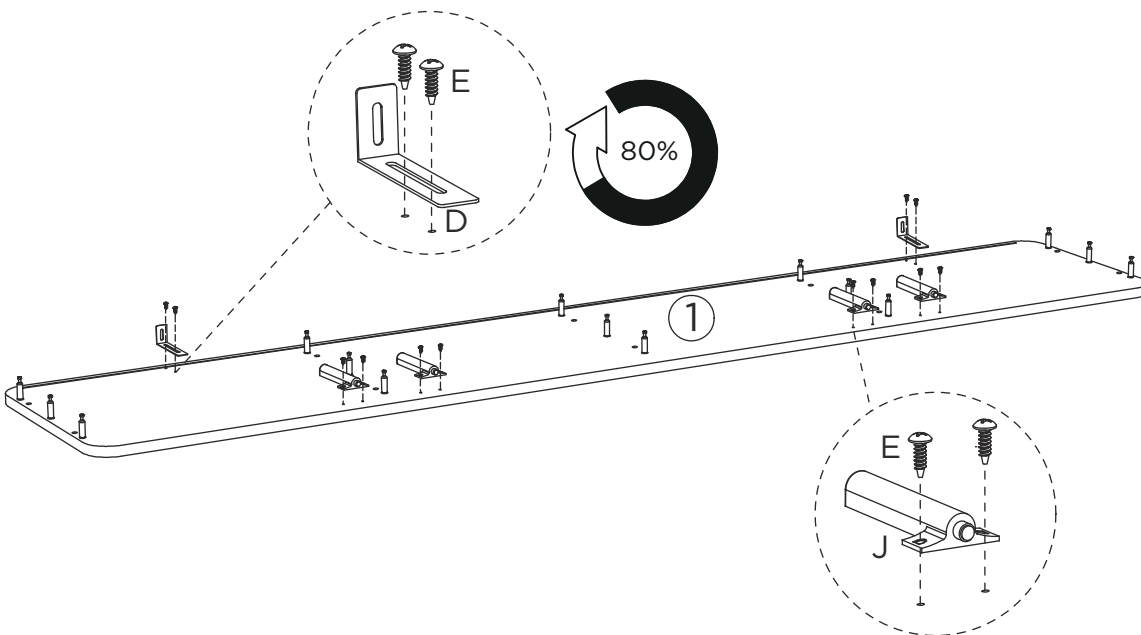
15 Cam Bolts



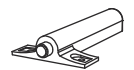
Phillips Head Screwdriver

2.

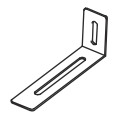
Loosely attach 2 x L-Brackets **(D)** to the Top Panel **(1)** using 4 x Dome Screws **(E)**. Attach 4 x Magnetic Latches **(J)** to the Top Panel **(1)** using 8 x Dome Screws **(E)** with the Phillips Head Screwdriver as shown.



You will need:



4 Magnetic Latches



2 L-Brackets



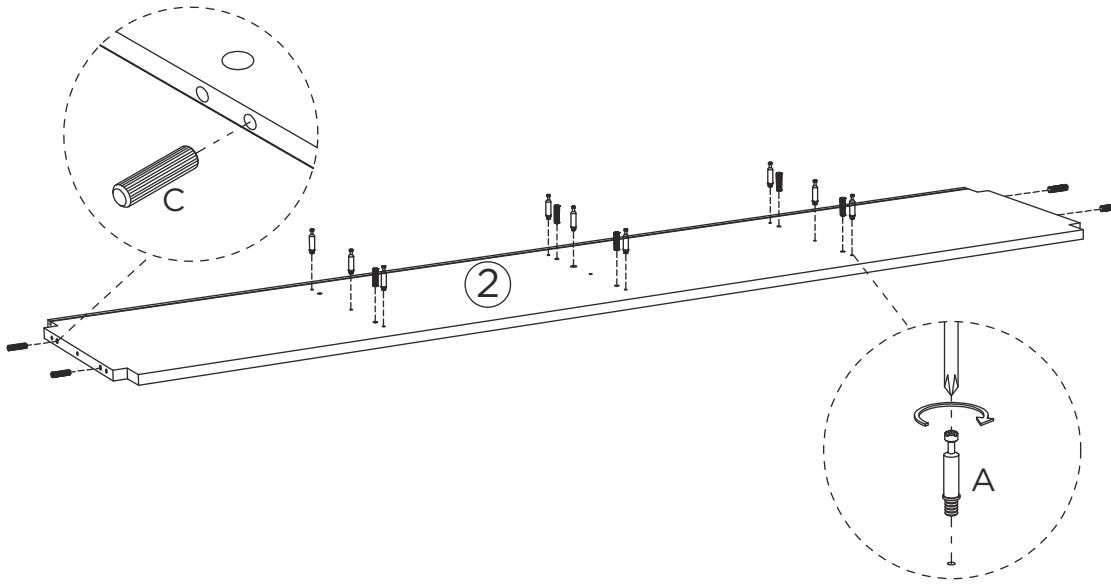
12 Dome Screws



Phillips Head Screwdriver

3.

Insert 4 x Dowels (C) into Bottom Panel (2).
Screw 9 x Cam Bolts (A) into Bottom Panel (2) with the Phillips Head Screwdriver as shown.



You will need:



9 Cam Bolts



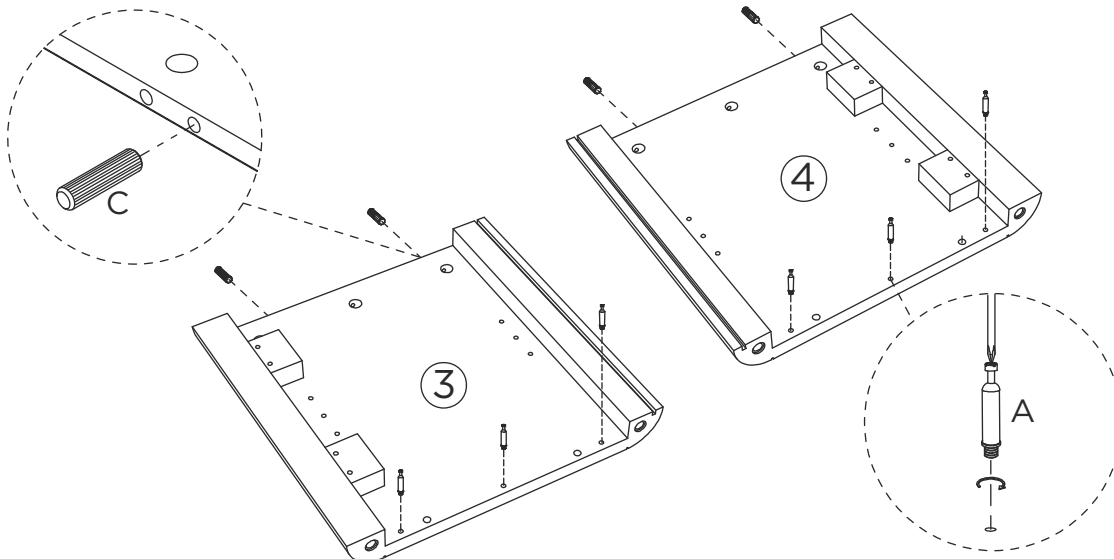
4 Dowels



Phillips Head Screwdriver

4.

Insert 4 x Dowels (C) into Side Panel (3) and Side Panel (4).
Screw 6 x Cam Bolts (A) into Side Panel (3) and Side Panel (4) with the Phillips Head Screwdriver as shown.



You will need:



6 Cam Bolts



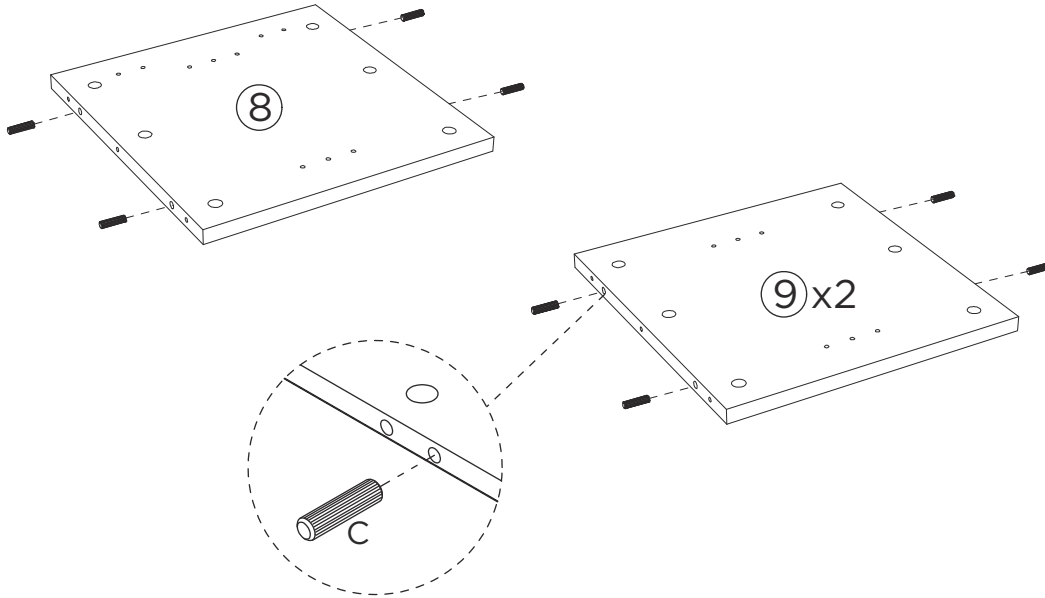
4 Dowels



Phillips Head Screwdriver

5.

Insert 4 x Dowels (C) into Divider Panel (8).
Insert 8 x Dowels (C) into 2 x Divider Panel (9) as shown.



You will need:



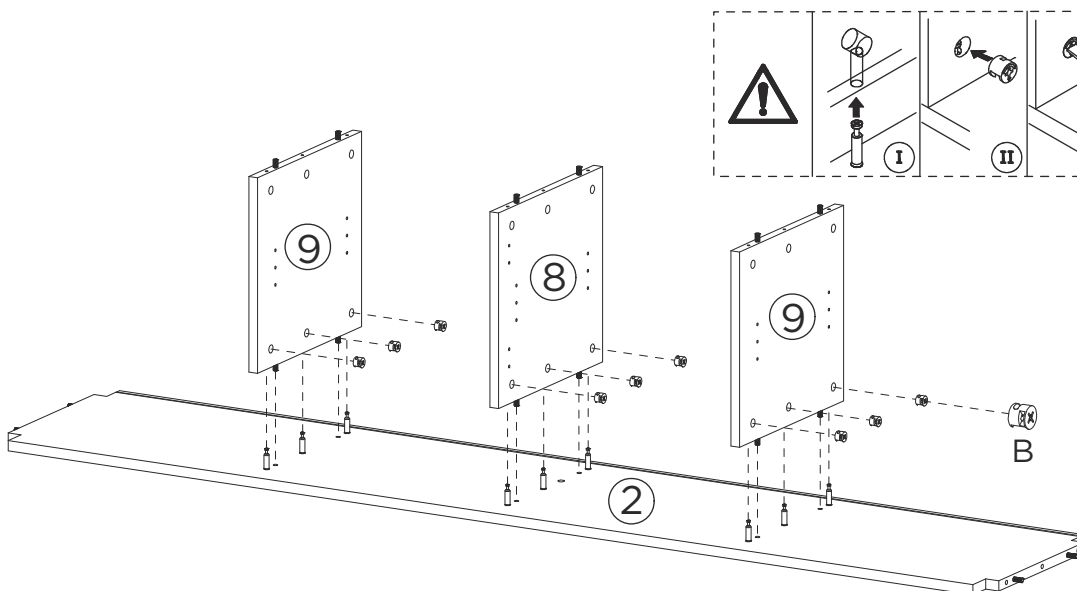
12 Dowels



Phillips Head
Screwdriver

6.

Attach Divider Panel (8) and 2 x Divider Panels (9) to Bottom Panel (2) using 9 x Cam Nuts (B) with the Flat head Screwdriver as shown.



You will need:



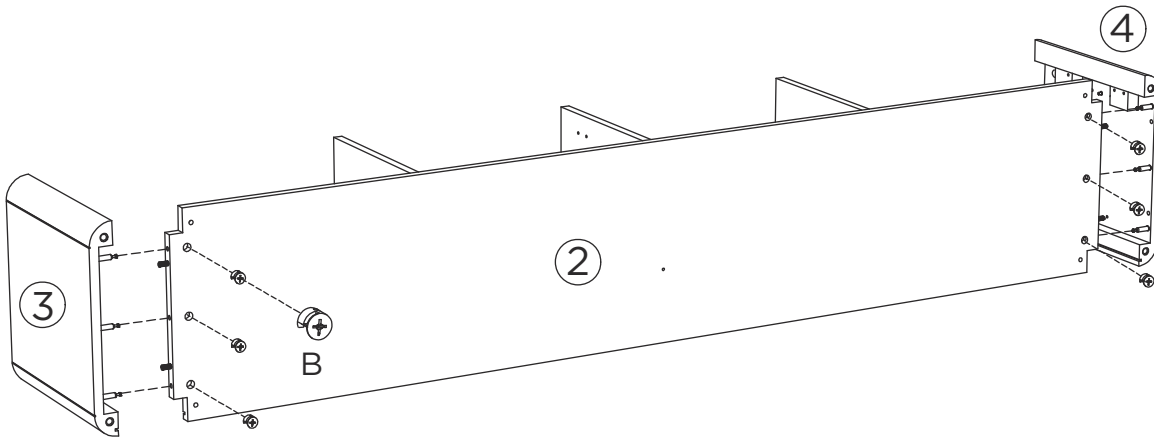
9 Cam Nuts



Flat head
Screwdriver

7.

Attach Side Panel (3) and Side Panel (4) to Bottom Panel (2) using 6 x Cam Nuts (B) with the Flat head Screwdriver as shown



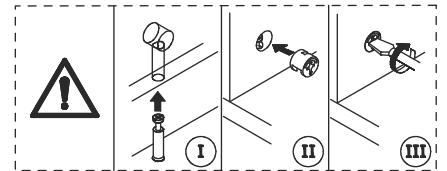
You will need:



6 Cam Nuts

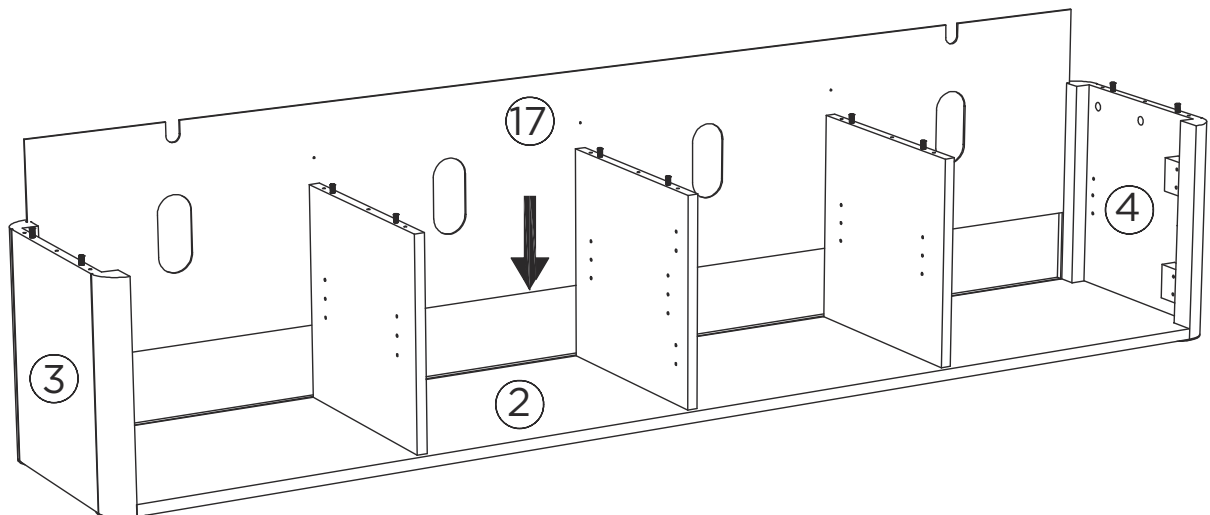


Flat head
Screwdriver



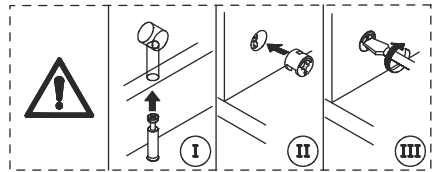
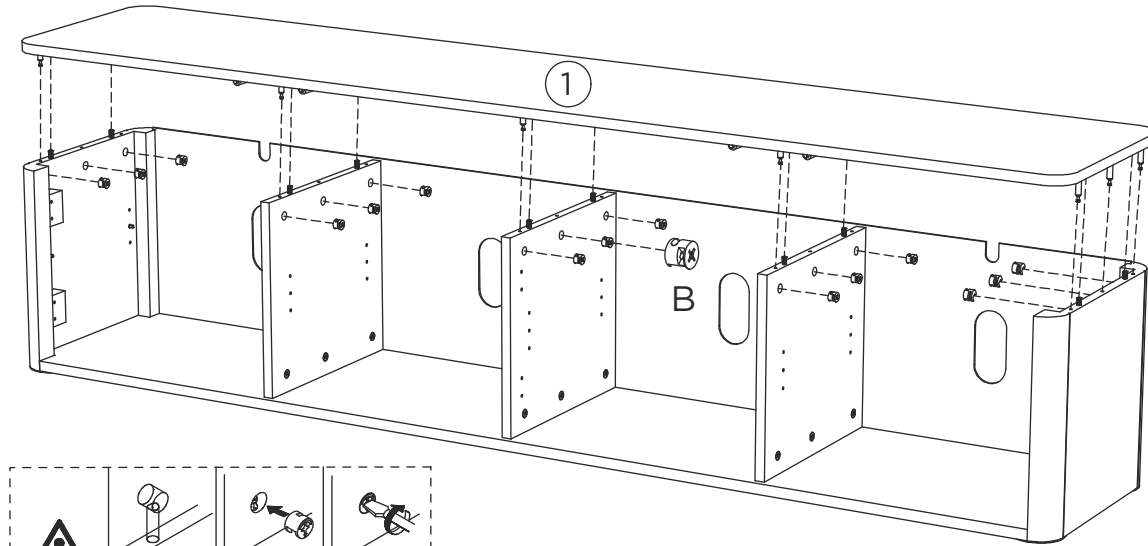
8.

Slot in the Back Panel (17) into the grooves of Side Panel (3), Side Panel (4) and Bottom Panel (2) as shown. Ensure the panel is slotted in fully.



9.

Attach Top Panel (1) to Divider Panel (8), 2 x Divider Panels (9), Side Panel (3) and Side Panel (4) using 15 x Cam Nuts (B) with the Flat head Screwdriver as shown.



You will need:



15 Cam Nuts

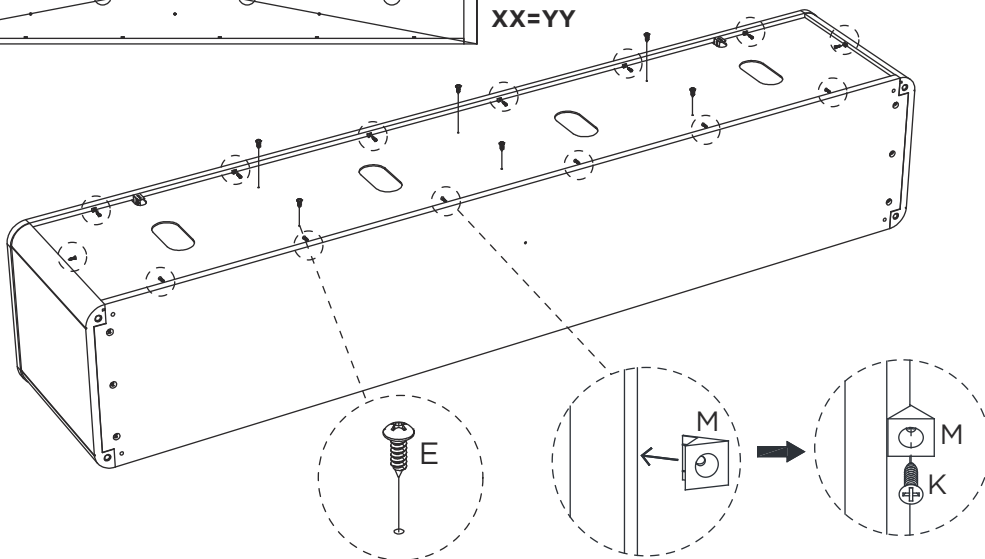
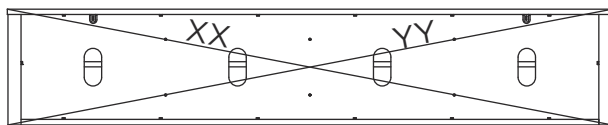


Flat head Screwdriver

10.

Secure Back Panel (17) to Divider Panel (8) and 2 x Divider Panels (9) using 6 x Dome Screws (E).

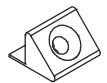
Insert 14 x Back panel connectors (M) into place as shown and secure with 14 x Screws (K), tightening with the Phillips head screwdriver.



You will need:



6 Dome Screws



14 Back Panel Connectors



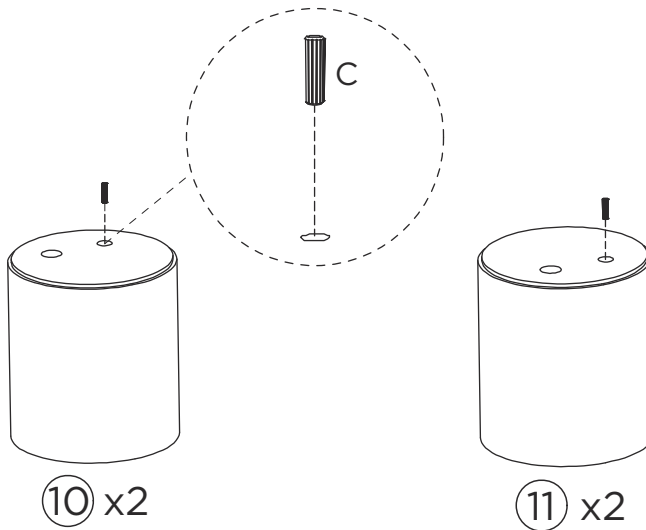
14 Screws



Phillips Head Screwdriver

11.

Insert 4 x Dowels (C) into 2 x Legs (10) and 2 x Legs (11) as shown.



You will need:



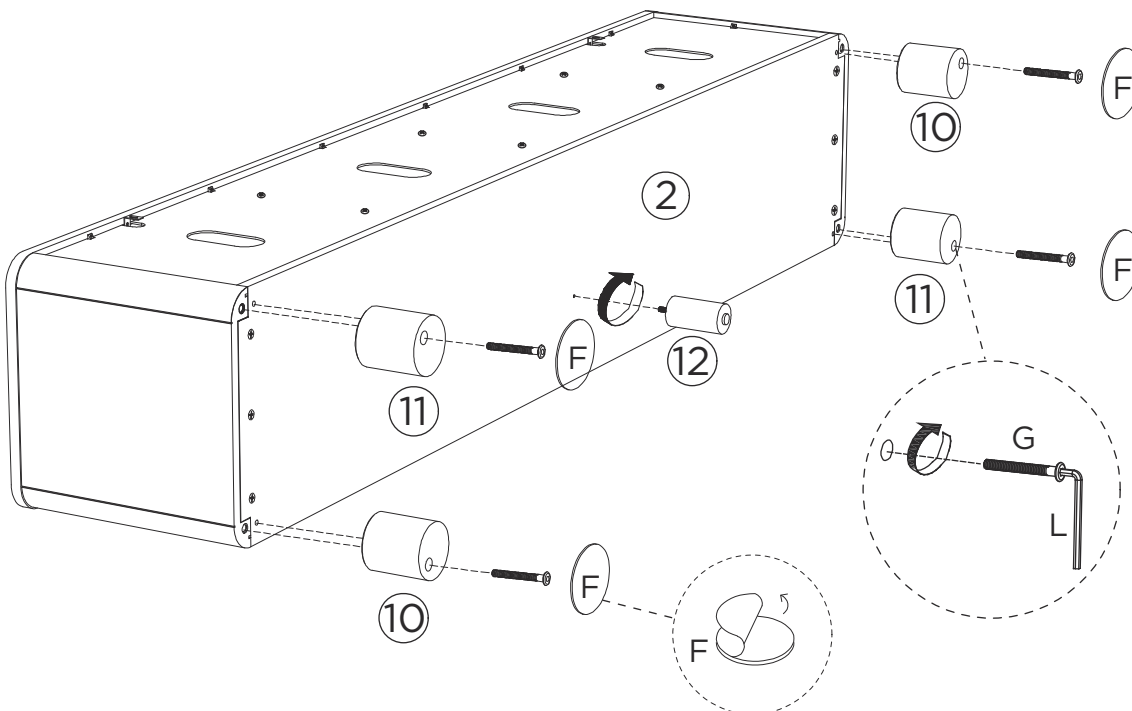
4 Dowels

12.

Attach Leg (12) into Bottom Panel (2).

Attach 2 x Legs (10) and 2 x Legs (11) to Bottom Panel (2) using 4 x Bolts (G) with Allen Key (L) as shown.

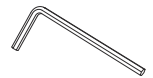
Peel off the backing of a Felt Pads (F) and paste it onto the bottom of Legs. Repeat this step with the remaining Felt Pads (F).



You will need:



4 Bolts



Allen Key



4 Felt Pads

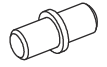
**TEMPLE &
WEBSTER**

Damaged or missing parts? Or just need help?
Contact us on service@templeandwebster.com.au

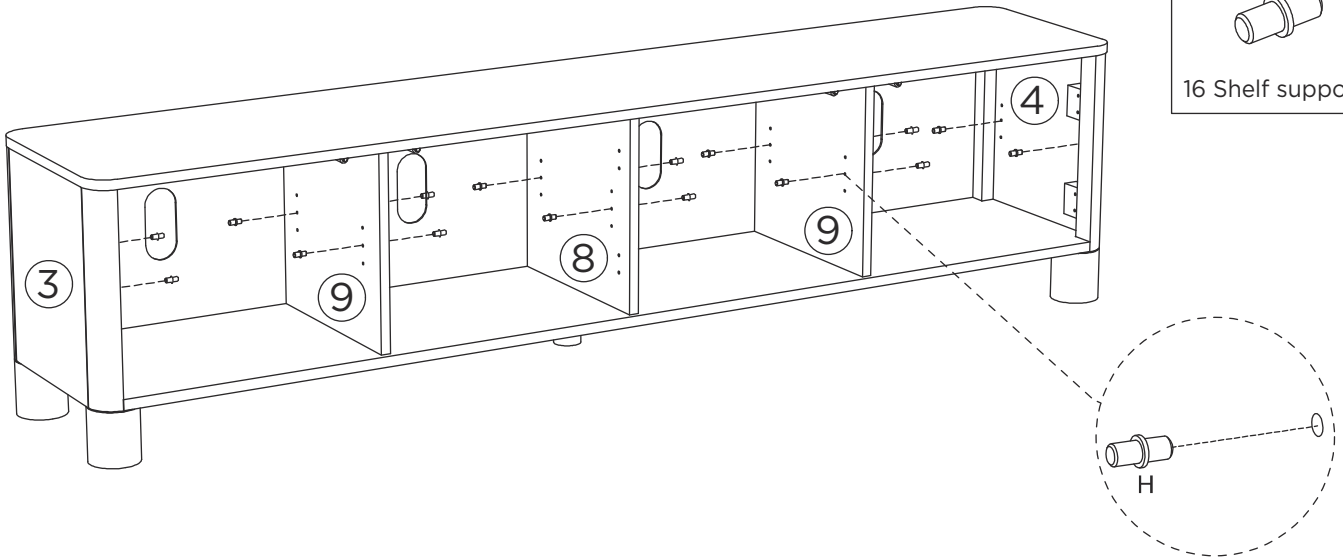
13.

Insert 16 x Shelf Supports (**H**) into Divider panel (**8**), 2 x Divider panels (**9**), Side Panel (**3**) and Side Panel (**4**) as shown.

You will need:

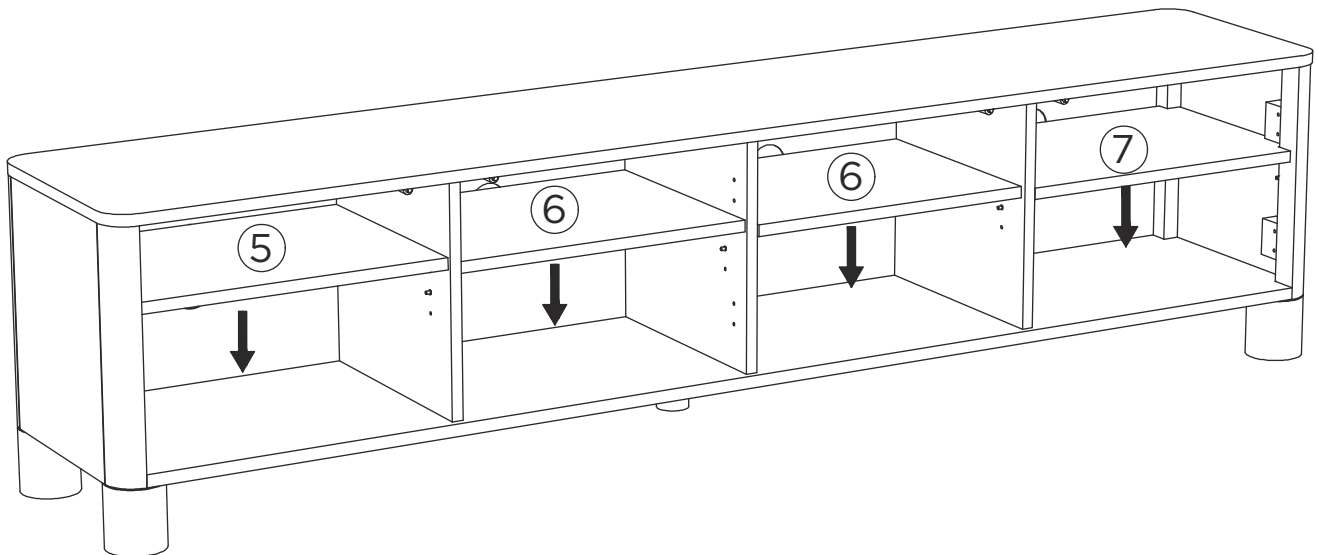


16 Shelf supports



14.

Put Shelf Panel (**5**), 2 x Shelf Panels (**6**) and Shelf Panel (**7**) on to Shelf Supports (**H**) as shown.

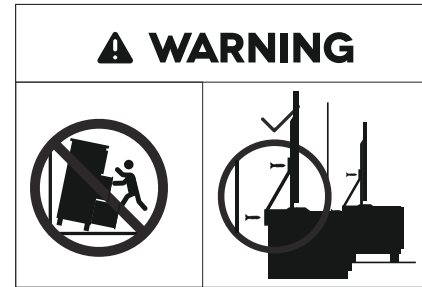


15.

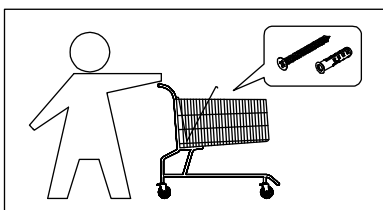
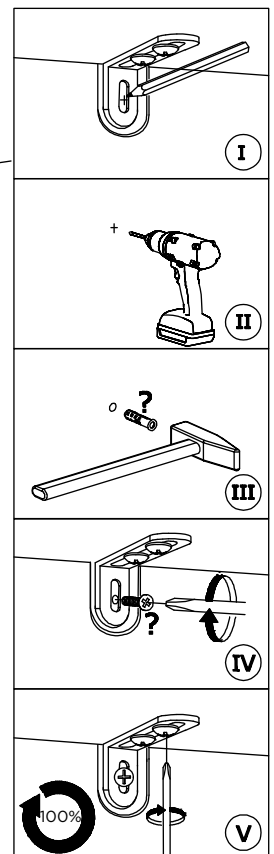
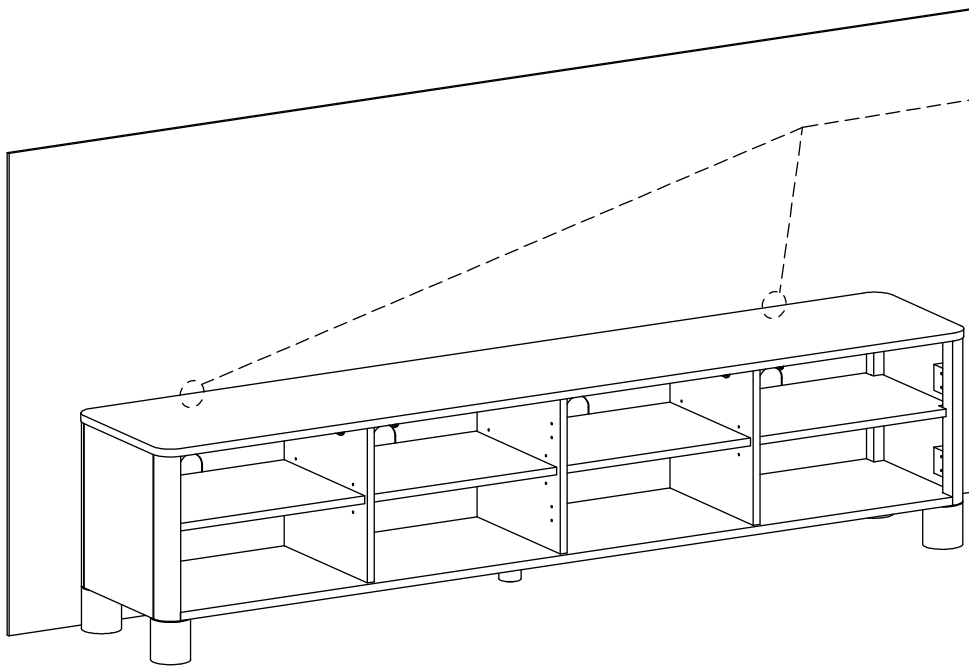
Anti-toppling warning:

Children have died from furniture tipover.

- NEVER allow children to stand, climb or hang on drawers, doors or shelves.
- ALWAYS secure your television with an anchor device or mount the television on a wall.
- For advice on suitable fastening devices, contact your local specialized dealer.



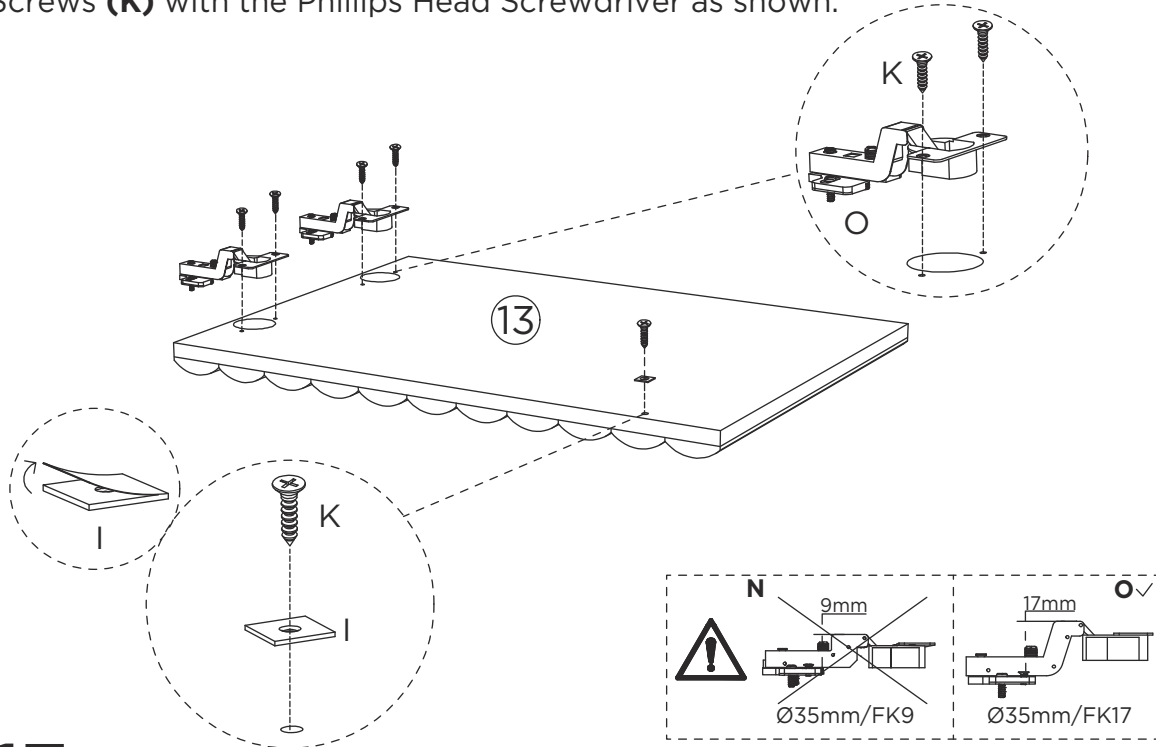
For more information, visit <https://www.productsafety.gov.au>



With help, move Tv Unit into position.
Mark fixing hole on wall and remove Tv Unit.
Drill holes and insert wall plugs.
Reposition Tv Unit and fix it to wall using recommended screws.
Fully tighten screws on L-Brackets.

16.

Peel off the backing of Strike plate (I) and paste it onto the Door Panel (13). Attach 1 x Strike plate (I) and 2 x Hinges (O) to Door Panel (13) using 5 x Screws (K) with the Phillips Head Screwdriver as shown.

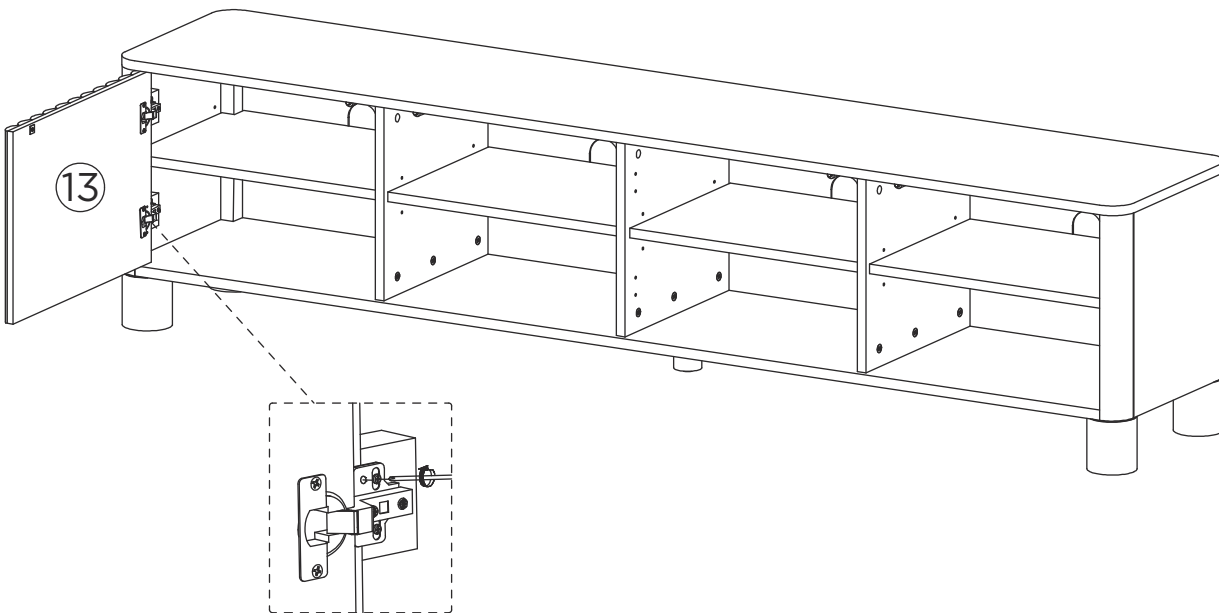


You will need:



17.

Attach Door (13) onto cabinet as shown.

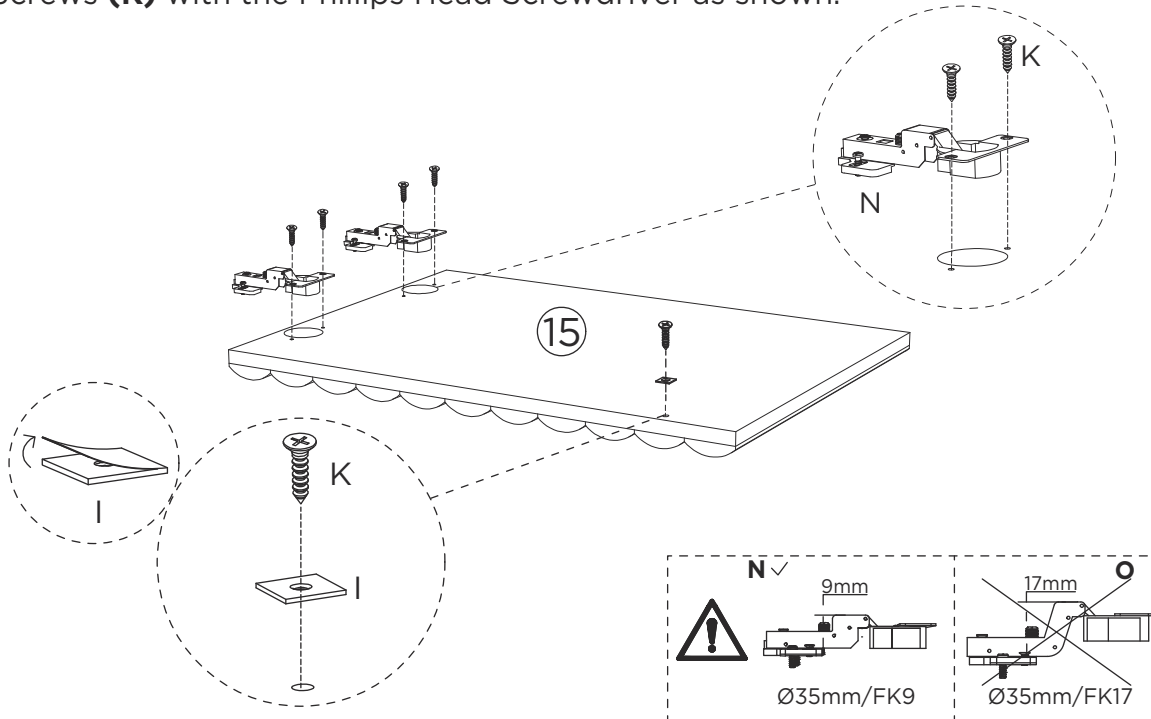


You will need:

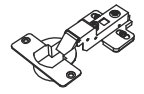


18.

Peel off the backing of Strike plate (I) and paste it onto the Door Panel (15). Attach 1 x Strike plate (I) and 2 x Hinges (N) to Door Panel (15) using 5 x Screws (K) with the Phillips Head Screwdriver as shown.



You will need:



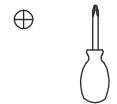
2 x Hinges
FK9



1 x Strike plate



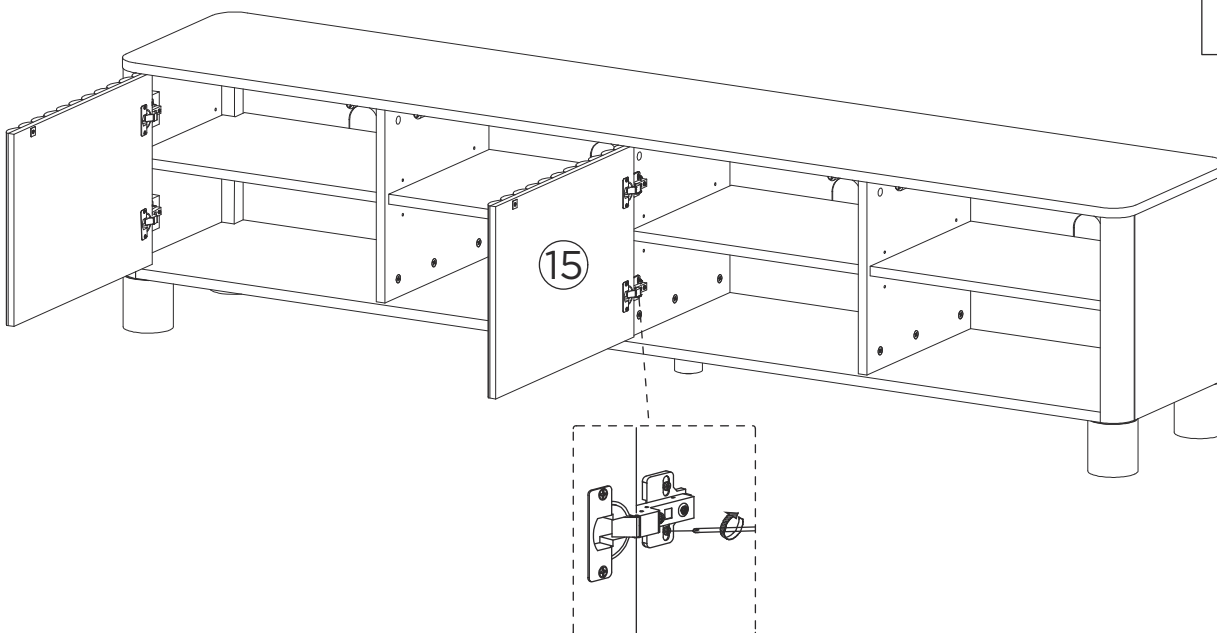
5 Screws



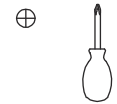
Phillips Head
Screwdriver

19.

Attach Door (15) onto cabinet as shown.



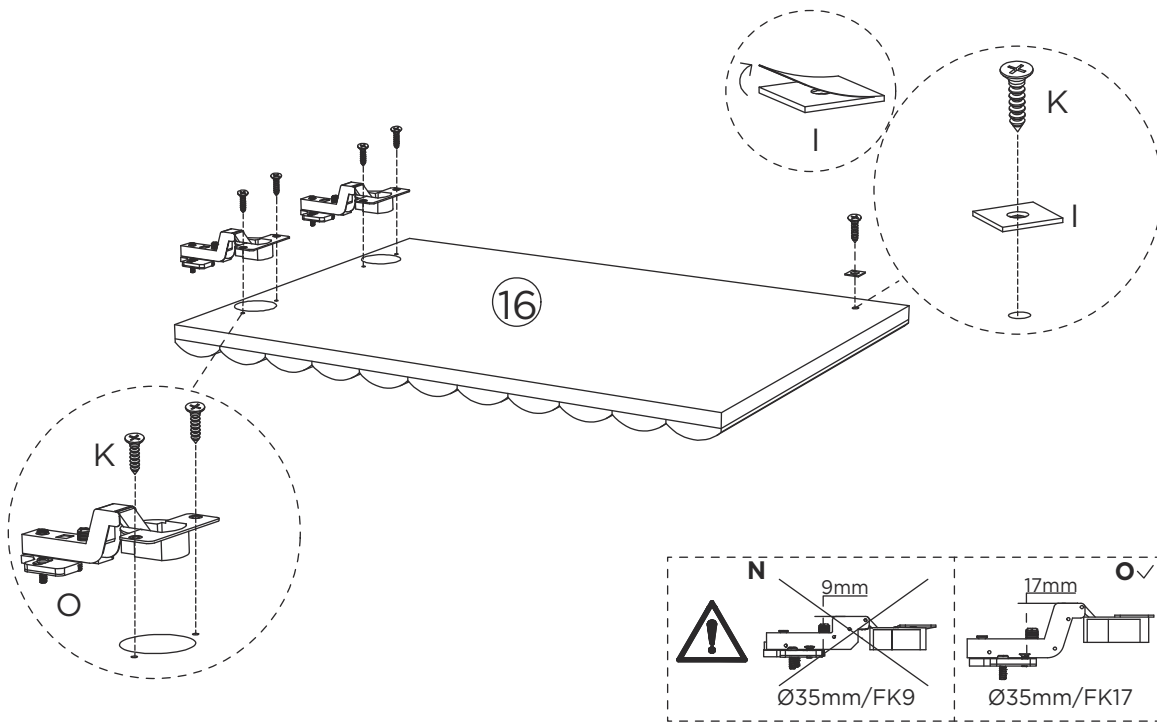
You will need:



Phillips Head
Screwdriver

20.

Peel off the backing of Strike plate (I) and paste it onto the Door Panel (16). Attach 1 x Strike plate (I) and 2 x Hinges (O) to Door Panel (16) using 5 x Screws (K) with the Phillips Head Screwdriver as shown.

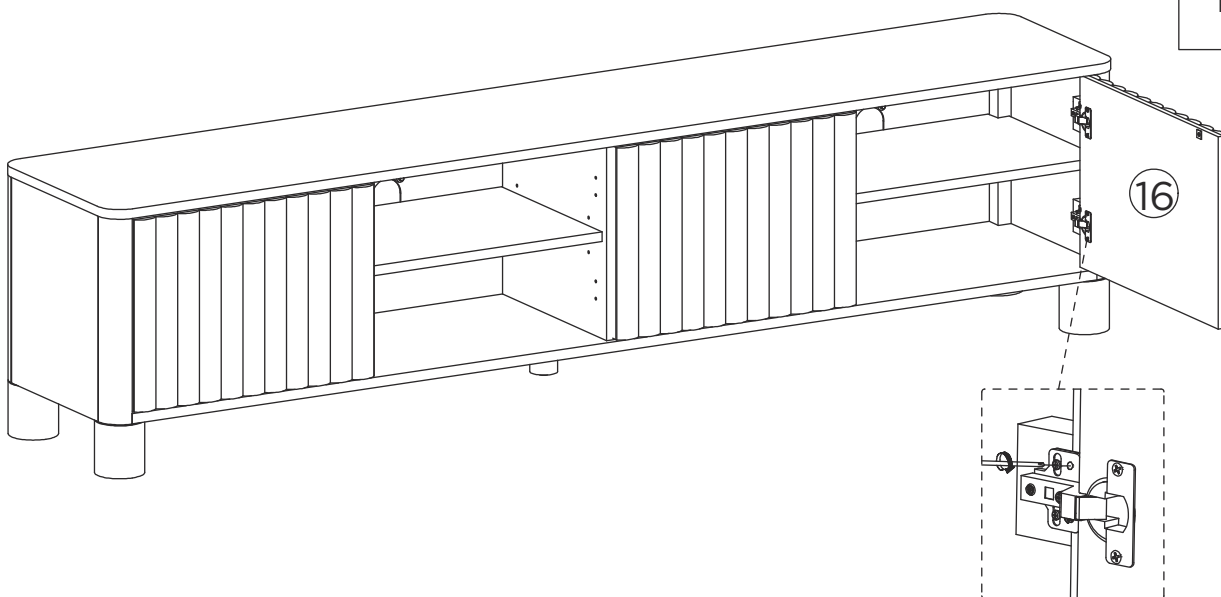


You will need:



21.

Attach Door (16) onto cabinet as shown.

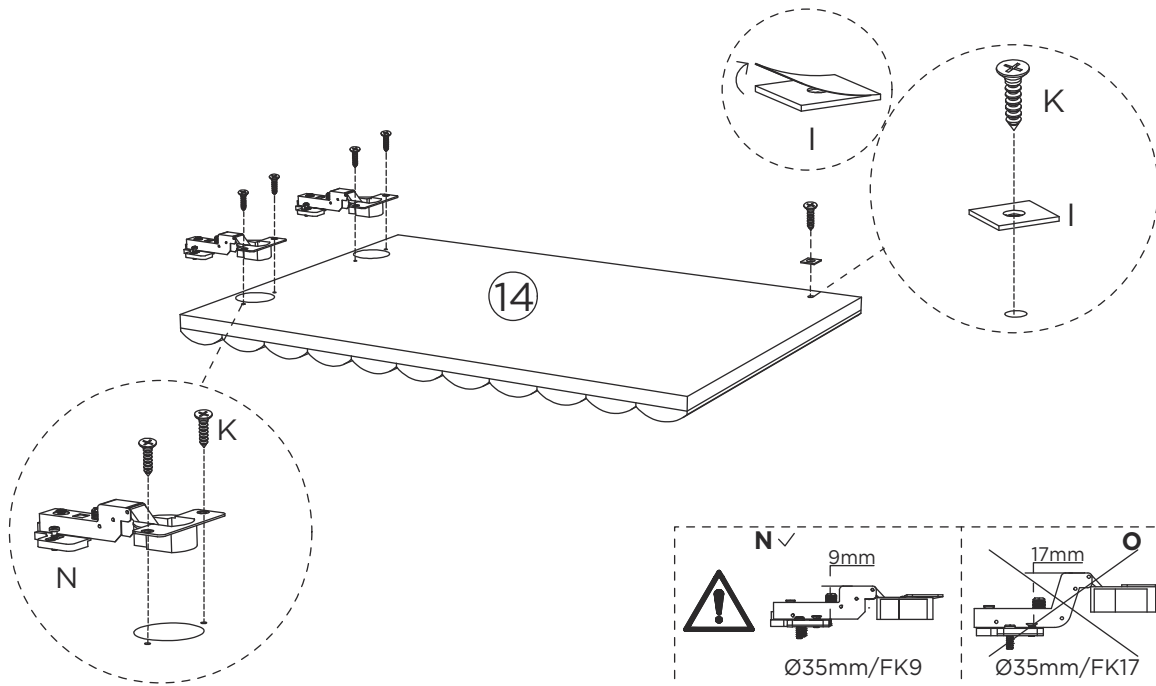


You will need:

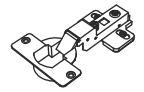


22.

Peel off the backing of Strike plate (I) and paste it onto the Door Panel (14). Attach 1 x Strike plate (I) and 2 x Hinges (N) to Door Panel (14) using 5 x Screws (K) with the Phillips Head Screwdriver as shown.



You will need:



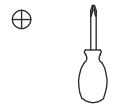
2 x Hinges
FK9



1 x Strike plate



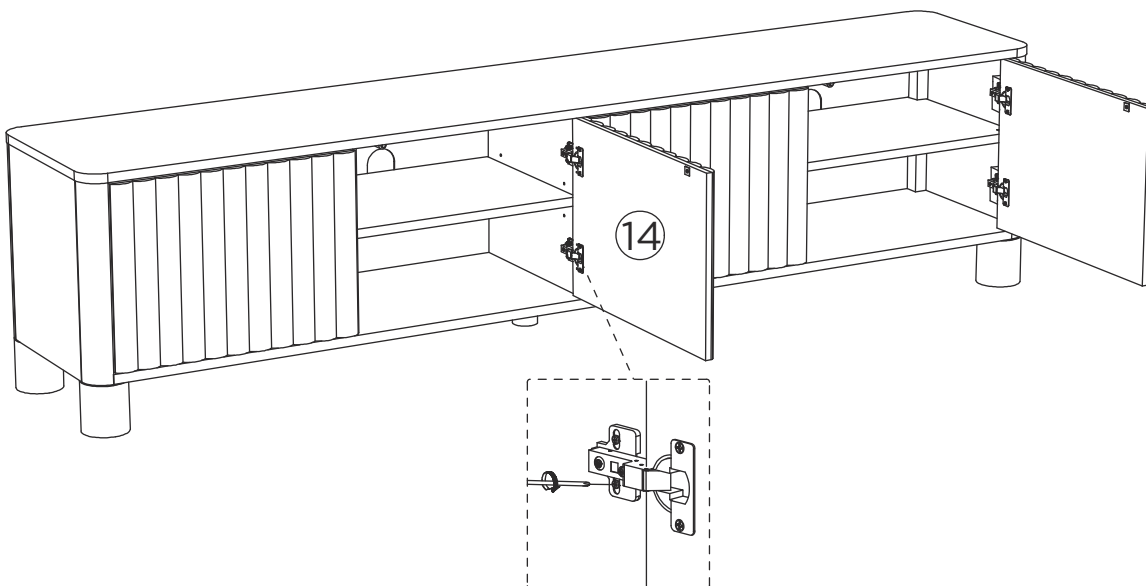
5 Screws



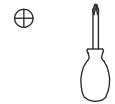
Phillips Head
Screwdriver

23.

Attach Door (14) onto cabinet as shown.



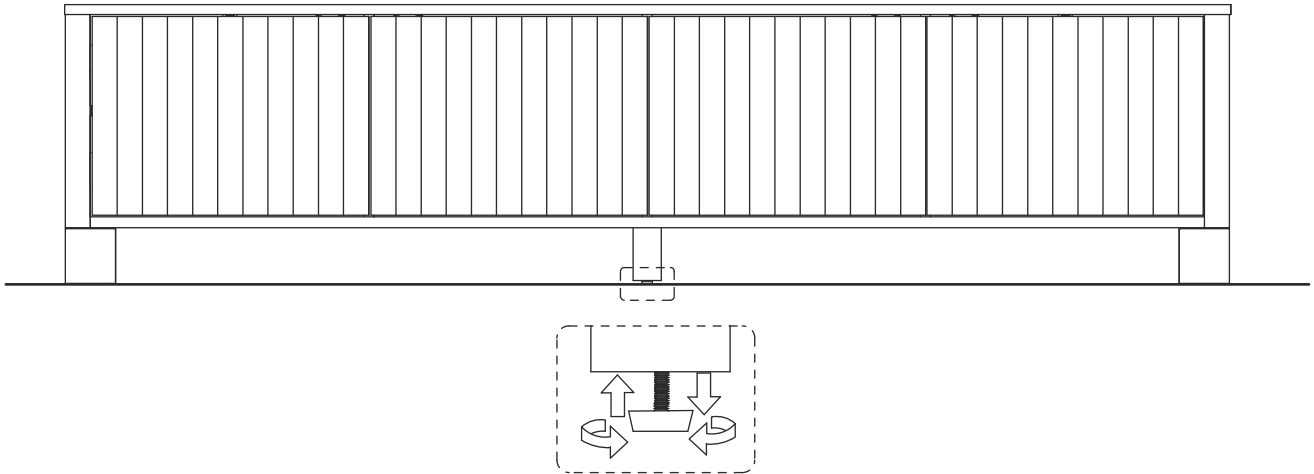
You will need:



Phillips Head
Screwdriver

24.

If the floor is not level, please adjust the adjustable leveler on centre leg accordingly.

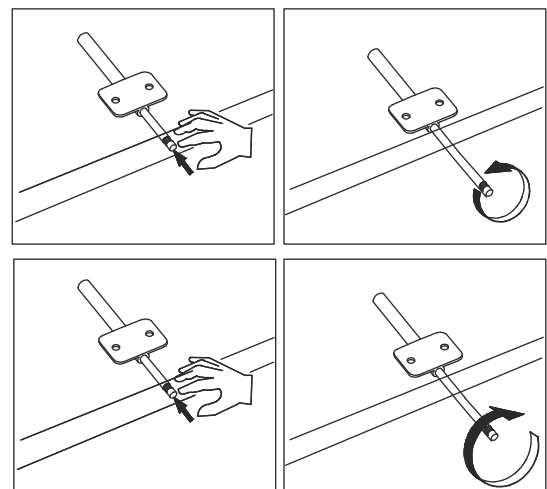
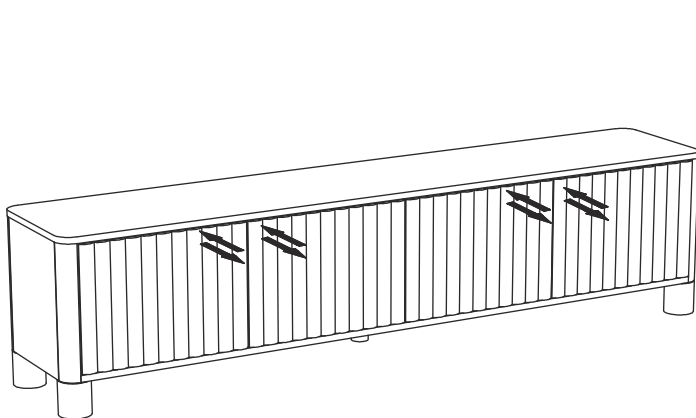


25.

After transportation the push-to-open magnetic latches may require adjustment if they are not working. See diagrams below.

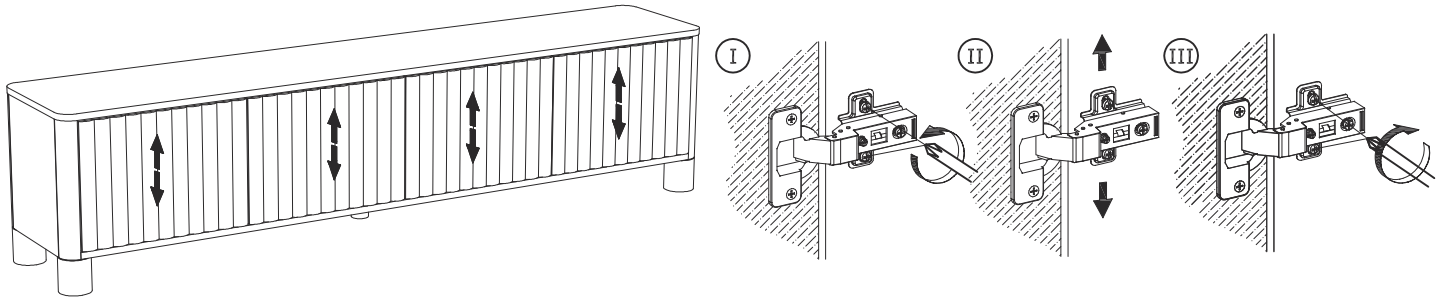
To adjust the latches, please push and release the piston once to allow it to extend outwards. Once extended, gently turn the piston clockwise or anti-clockwise to correct its position.

Close and open the door to confirm magnetic latch is functioning correctly.

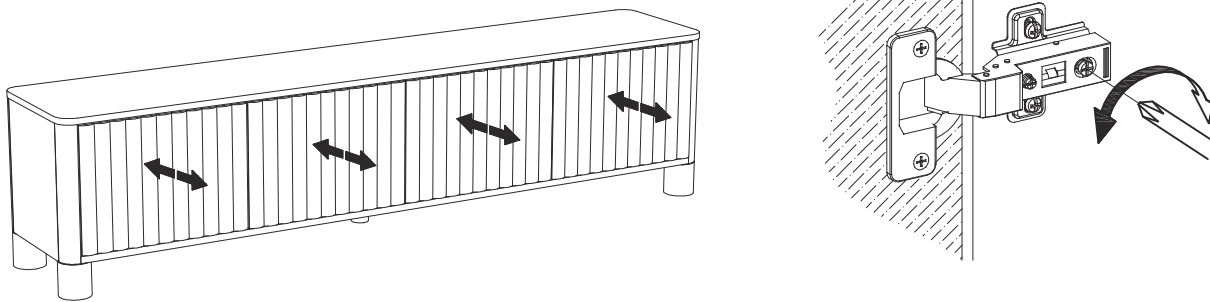


26.

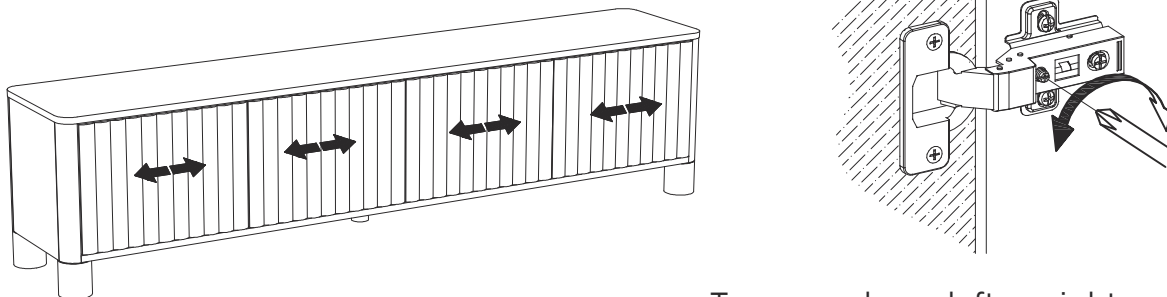
The doors may become misaligned after transportation. If adjustment is necessary, please follow the steps below:



To move doors up or down:
Loosen the screws on the hinge plate and move the doors to suit.
Once doors are aligned, re-tighten the screws.



To move doors in or out:
Loosen or tighten the screws on the hinge plate as shown.



To move doors left or right:
Loosen or tighten the screws to suit as shown.