

Sunday 3 Seater Sofa bed

Read first, enjoy forever

Assembly tips

- Assemble your product on a level surface and lay something soft underneath to protect potential floor damage.
- Don't over tighten screws. During assembly we recommend tightening to approximately 70% tightness. Only tighten hardware 100% when fully assembled.
- Keep children away from assembly area as bags and small parts can pose a choking hazard.
- Make sure you have enough space to layout parts before starting. We recommend assembling your item in its final location.
- Do not stand on or put weight on the parts as it may warp or damage product.
- We do not recommend the use of drills or power tools (unless specified) as it may damage the product or hardware. Use hand held screwdrivers only.
- It is best that two people assemble the product as some products may be too heavy for one person. Check this booklet for guidance.

Safety, care and maintenance

- To reduce the risk of injury, always secure storage furniture to walls and/or floors by using tip-over restraints.
- Never let children climb or hang on drawers, doors or shelves.
- To protect your product and your home, we recommend using coasters, placemats, rugs and other protective items.
- Screws may loosen over time. We recommend setting a reminder to tighten up every six months.
- Remove any liquid spills immediately using a clean cloth with mild detergent. Do not use bleach or abrasive cleaners. Always test any cleaning agent in an inconspicuous spot first to know if it is suitable.

Recycling

We hope that you love your product forever, but we know situations change. In the event that you wish to dispose of your product please consider some creative ways to give it a new home:

- If it's still in great shape, sell it on your favourite online marketplace!
- Give it a second life by affording it a fresh coat of paint.
- If you must dispose of it, why not donate it to your local charity or shelter for someone else to enjoy.

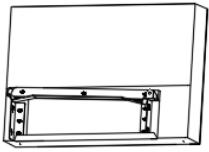
Please dispose of this product and packaging responsibly and recycle where possible. Scan the QR code to read more about Temple and Webster's commitment to a more sustainable future.



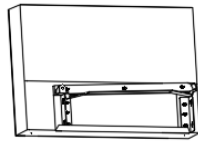
Parts list

ASSEMBLY INSTRUCTIONS

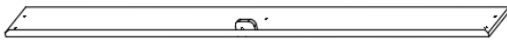
Sunday 3 Seater Sofa bed XISQSBNT



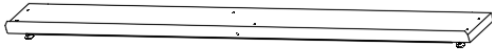
①



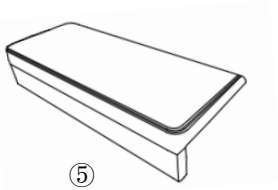
②



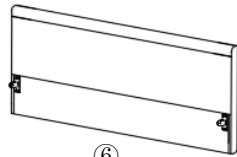
③



④



⑤



⑥



⑦



⑧

NUMBER OF PEOPLE REQUIRED FOR ASSEMBLY:

2






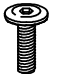

TOOLS REQUIRED FOR ASSEMBLY



4#

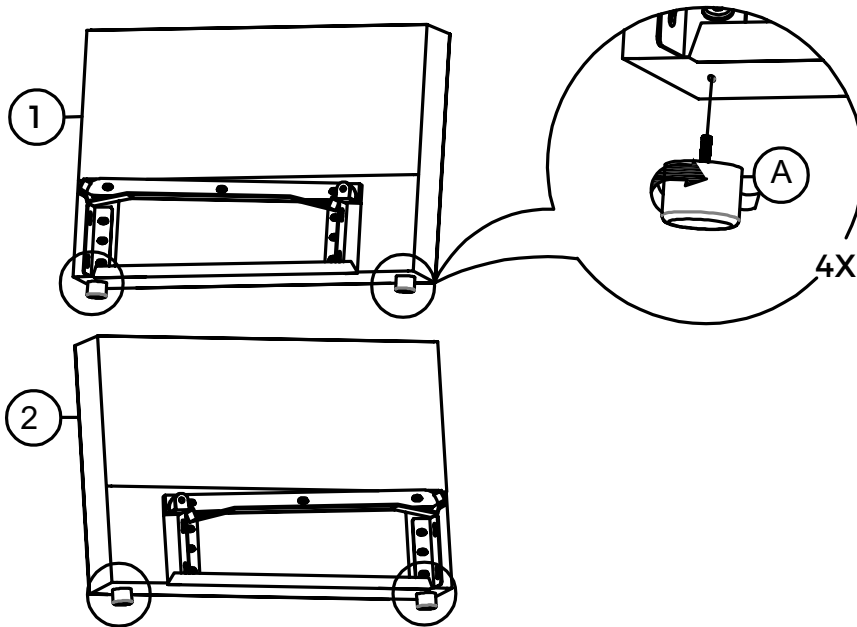


5#

<p>A</p>  <p>4 PCS</p>	<p>B</p>  <p>2 PCS</p>	<p>C</p>  <p>3 PCS</p>	<p>D</p>  <p>2 PCS</p>	<p>E</p>  <p>2 PCS</p>	<p>F</p>  <p>6 PCS</p>	<p>G</p>  <p>8PCS</p>
--	--	--	--	--	--	---

1.

Install the 4x Wooden Legs (A) on the 2x Armrests (1) and (2).



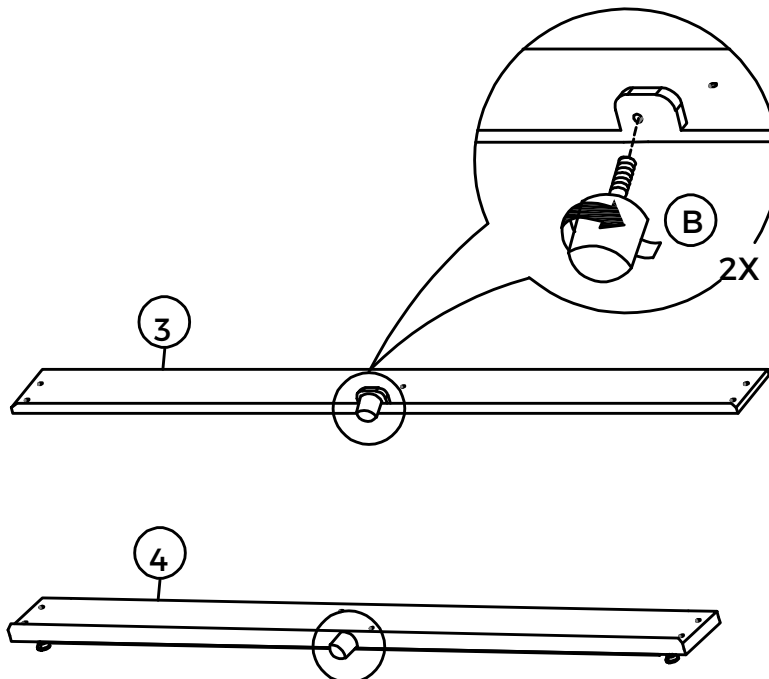
You will need:



4 Wooden Legs

2.

Install the 2x Plastic Legs (B) on the 1x Front (3) and 1x Rear (4) Panels.



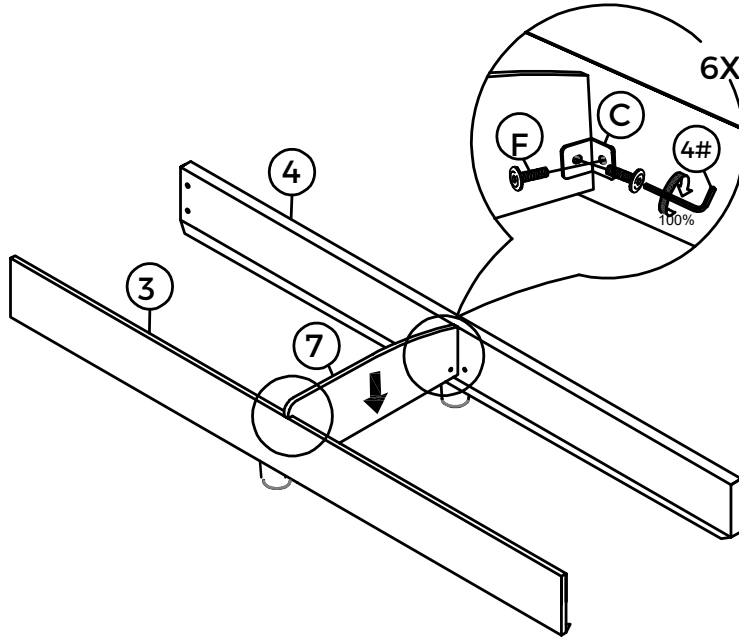
You will need:



2 Plastic Legs

3.

Assemble the 1x Front (3) and 1x Rear (4) Panels with the 1x Middle Panel (7) using 6x Screws (F).



You will need:



3 Small Angle Irons



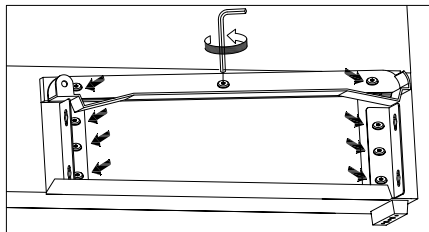
6 M6 * 15 Screws



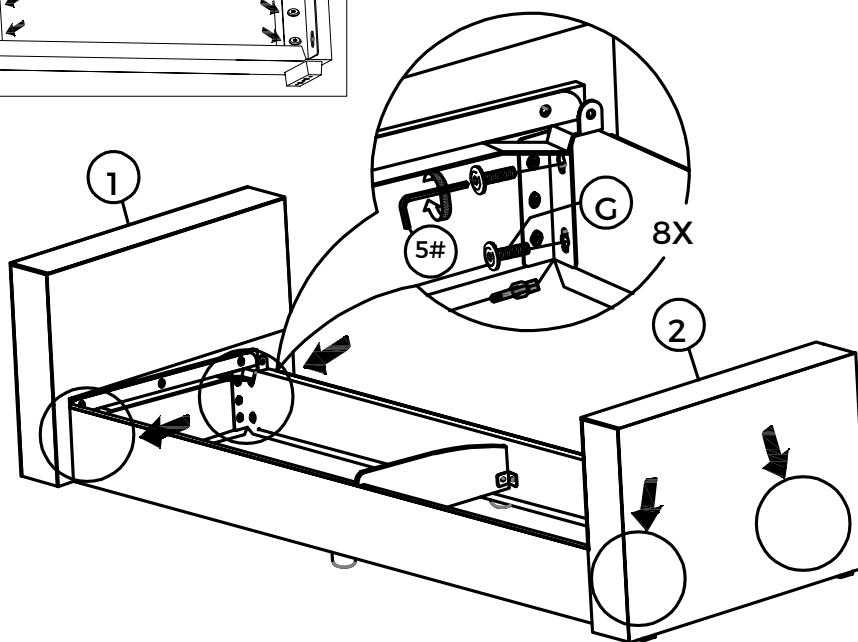
1 #4 Wrench

4.

Assemble the 2x Armrests (1) and (2), 1x Front (3) and 1x Rear (4) Panels using 8x Screws (G).



Note: Attached the Bolt G, then fully tight the 9 bolts together, finally repeat the same process for the right side.



You will need:



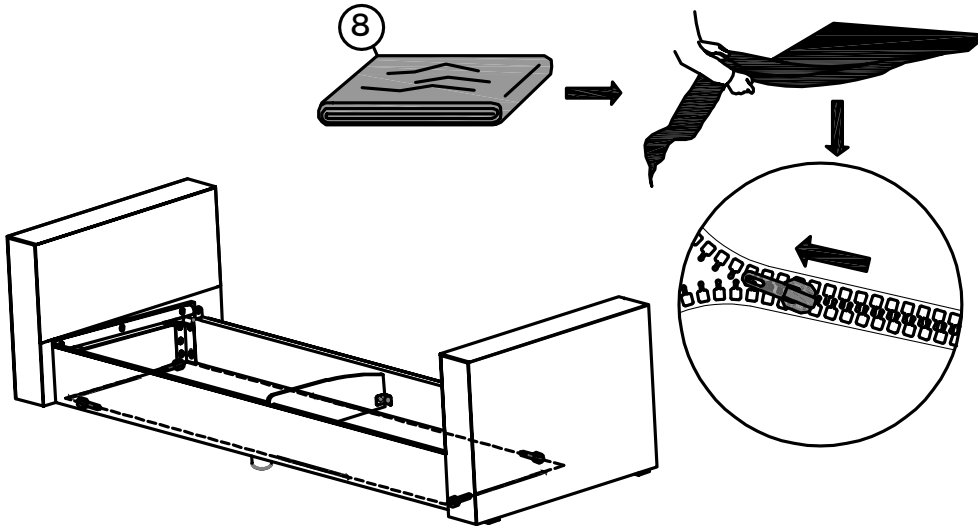
8 M8 * 15 Screws



1 #5 Wrench

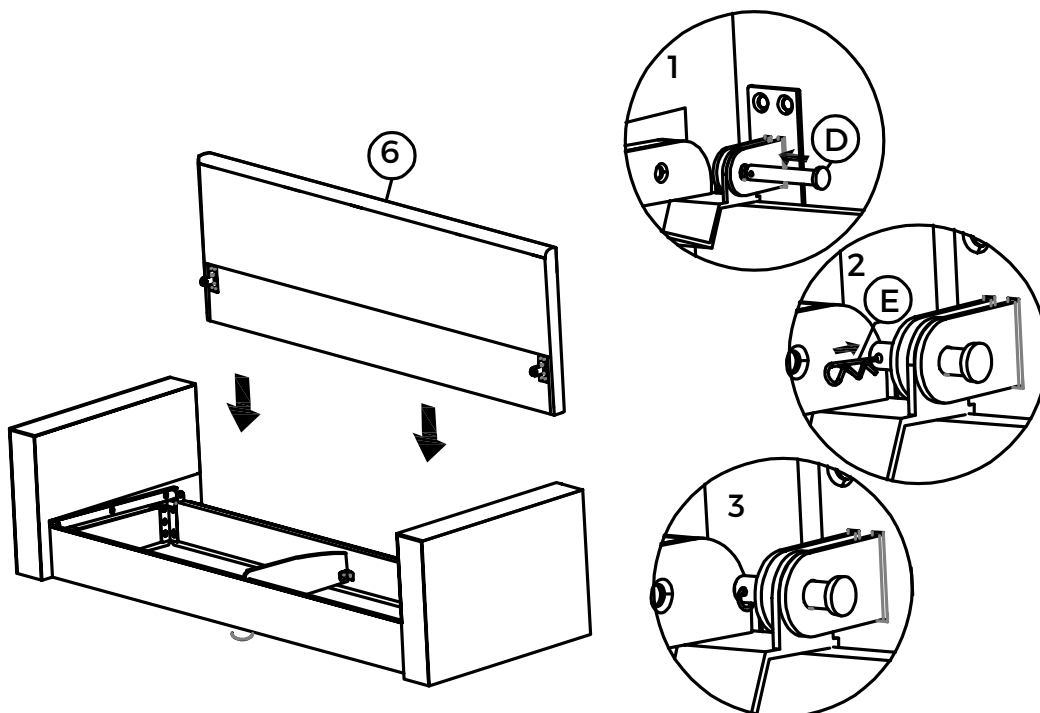
5.

Zip up the 1x Fabric (8) around the sides; it can be used for storage afterwards.



6.

Insert the 1x Backrest (6) downwards and secure it with 2x Perforated Pins (D) and 2x R-Clips (E).



You will need:



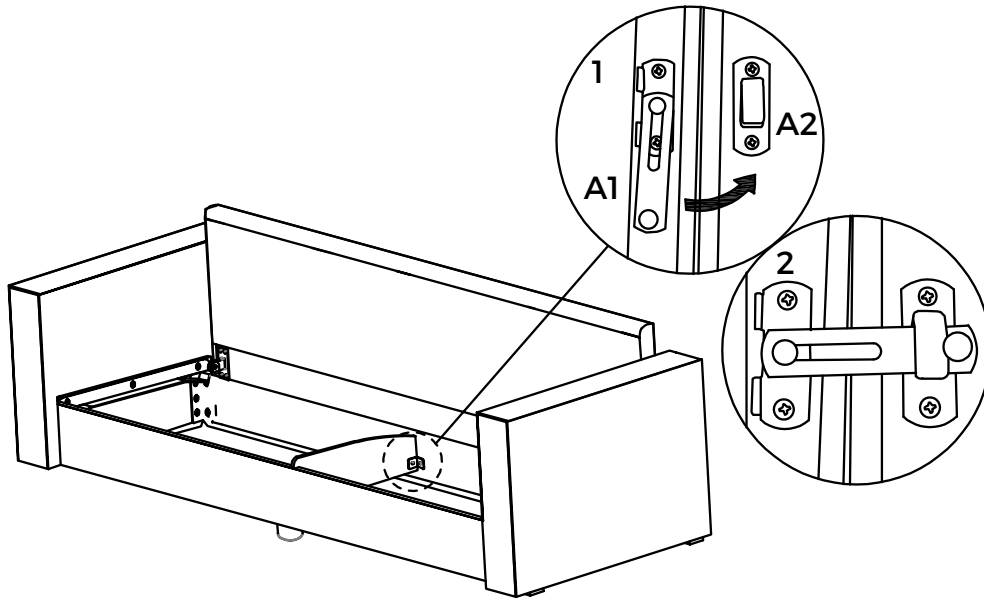
2 Perforated Pins



2 R-Clips

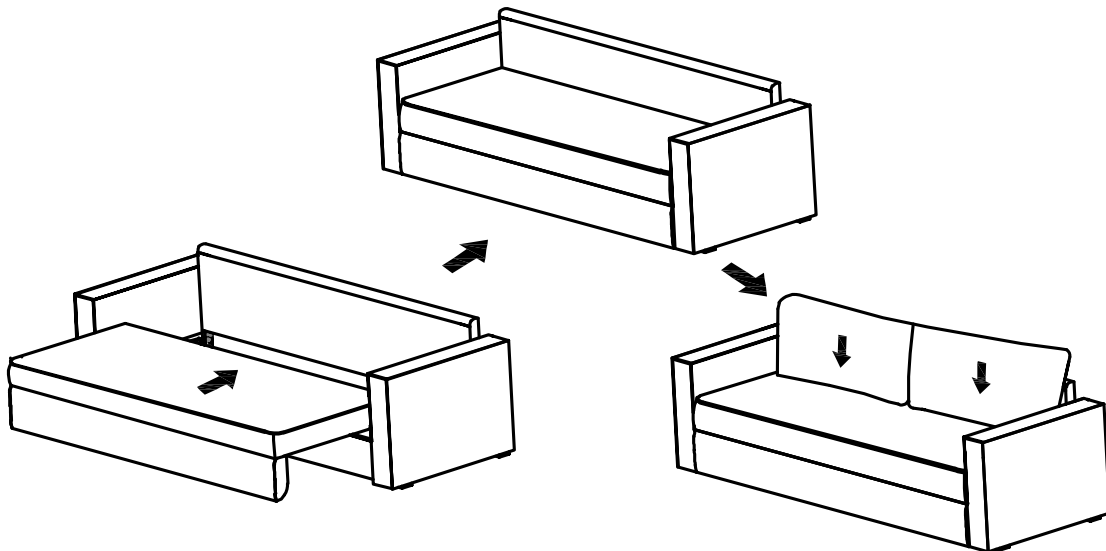
7.

Return female buckle A1 to its original position and then fold down the backrest. Please note: If your backrest is against the wall, there is no need to perform this step.



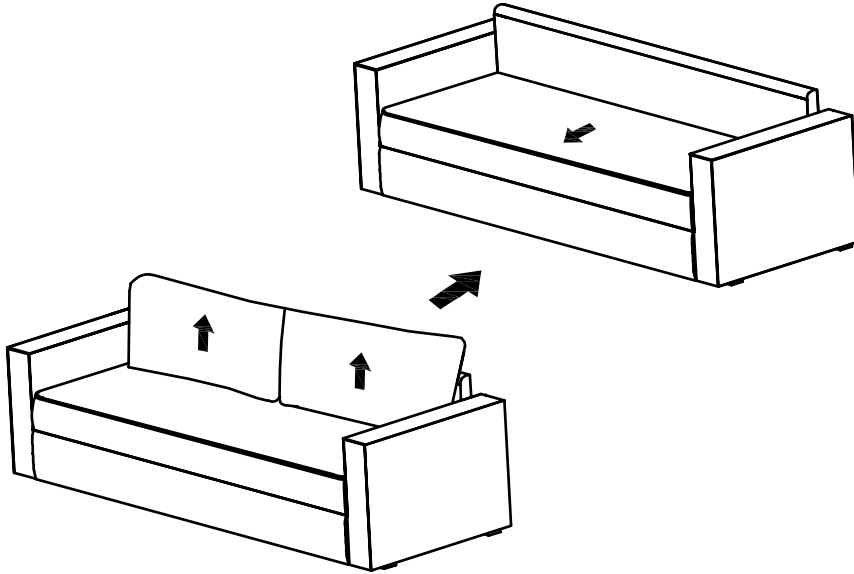
8.

Push in the seat frame and place the cushions; the sofa assembly is complete.



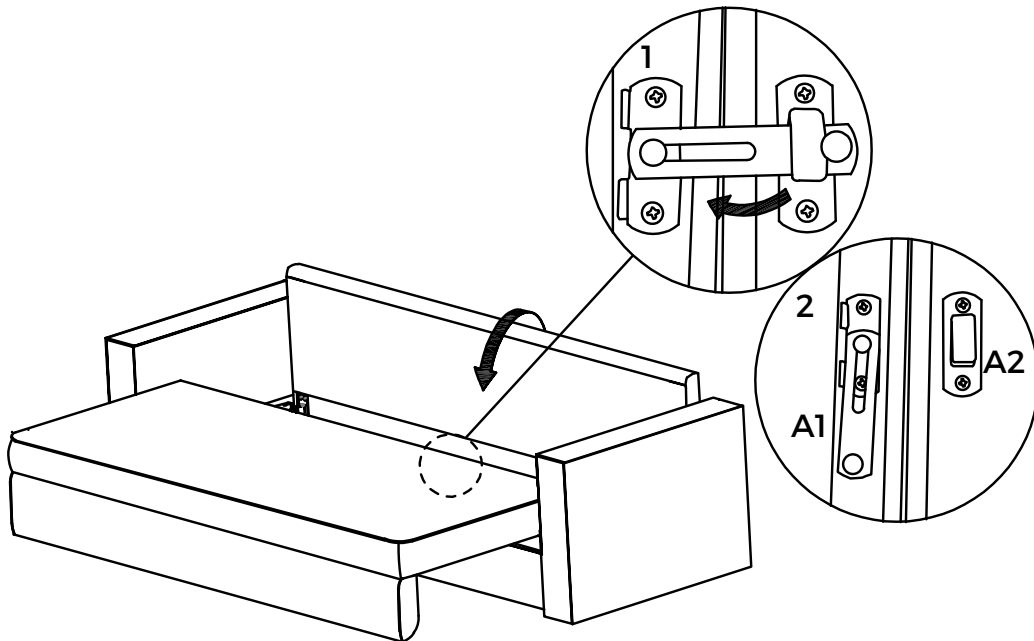
9.

Remove the cushions, pull out the seat frame.



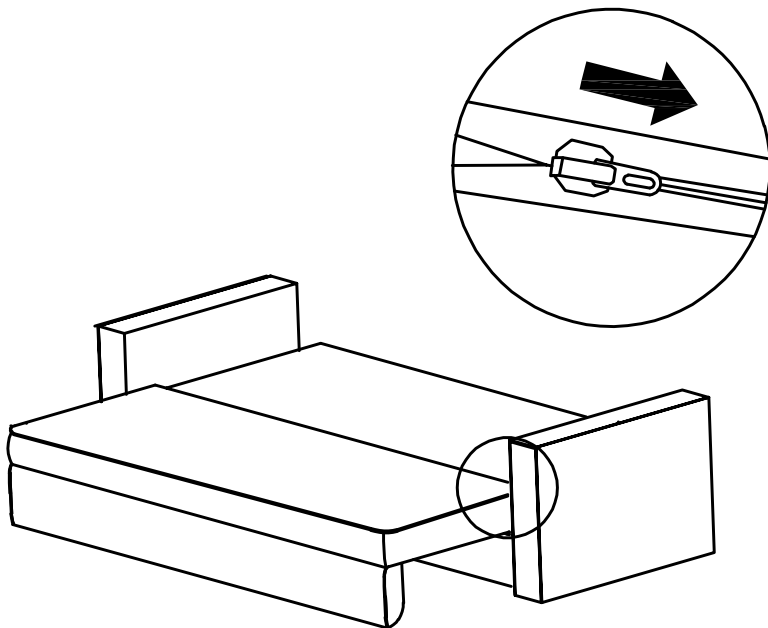
10.

Rotate female buckle A1 to male buckle A2 to secure the backrest.



11.

Unzip the seat frame and turn it over.



12.

Expands into a sofa bed.

