

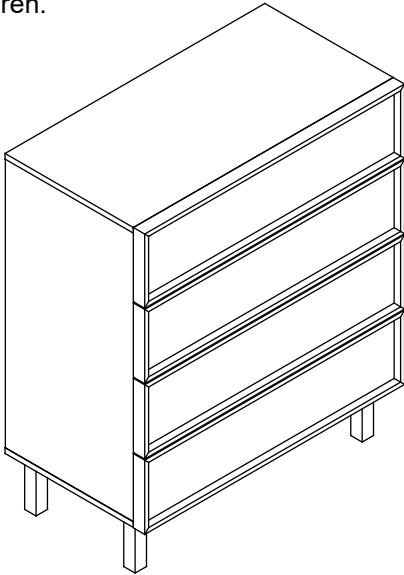
Read these instructions and follow steps carefully to ensure you assemble the product correctly and avoid damages. Check that all parts hardware have been provided before assembling the products. Place all contents on a clean, soft-flat surface to avoid scratching the product.

CAUTION:

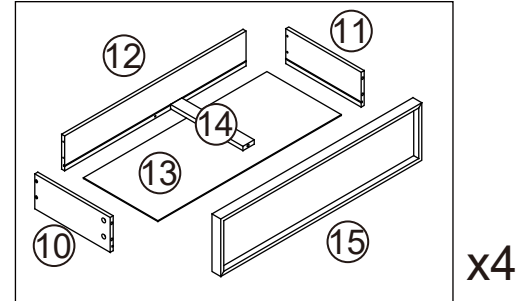
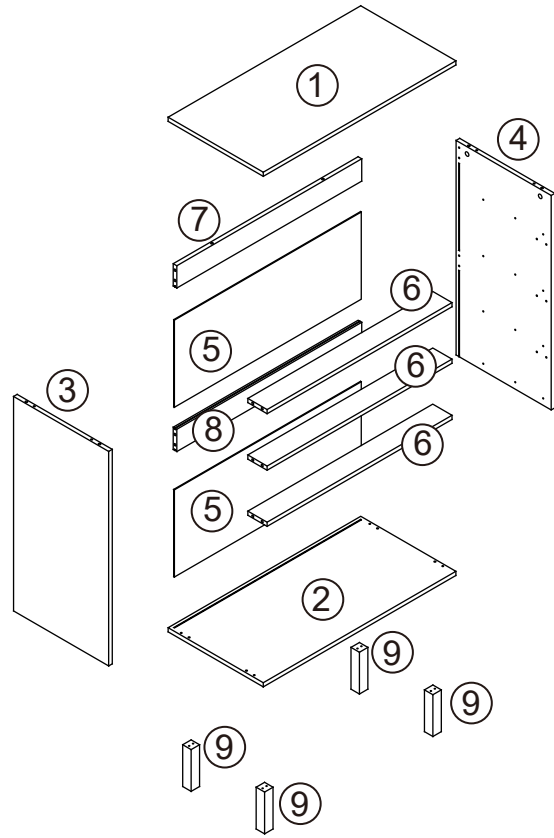
Only tighten bolts to 80% at first. Once all parts have been assembled, fully tighten all hardware. To prevent damage to threads, do not use a power tool and do not over tighten bolts.



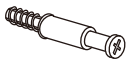









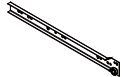







Use two people to lift and turn the product when assembling.

Do not attempt with only one person and do not roll on to legs. Keep all hardware and small parts away from children.

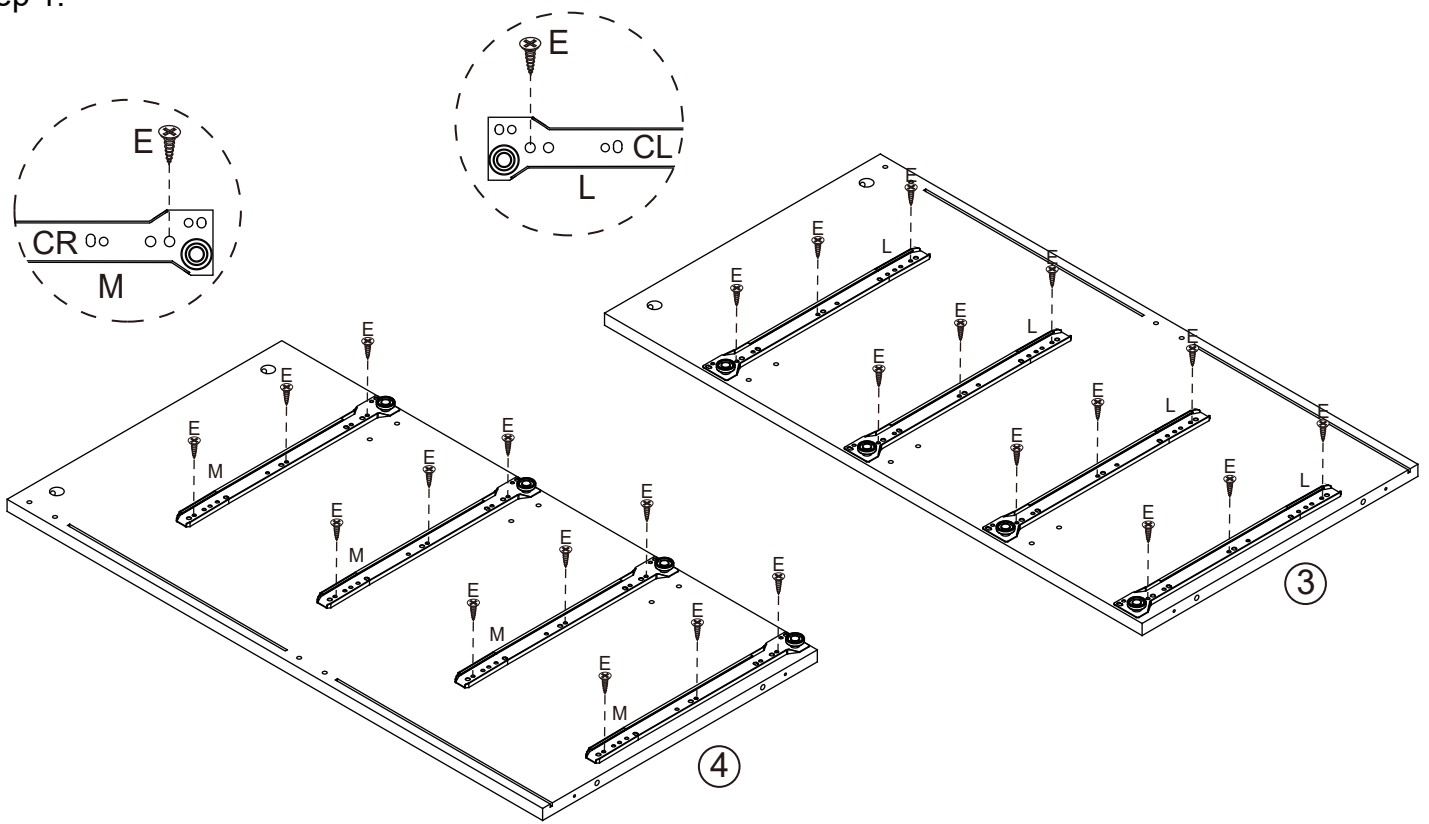


Do not stand on the product



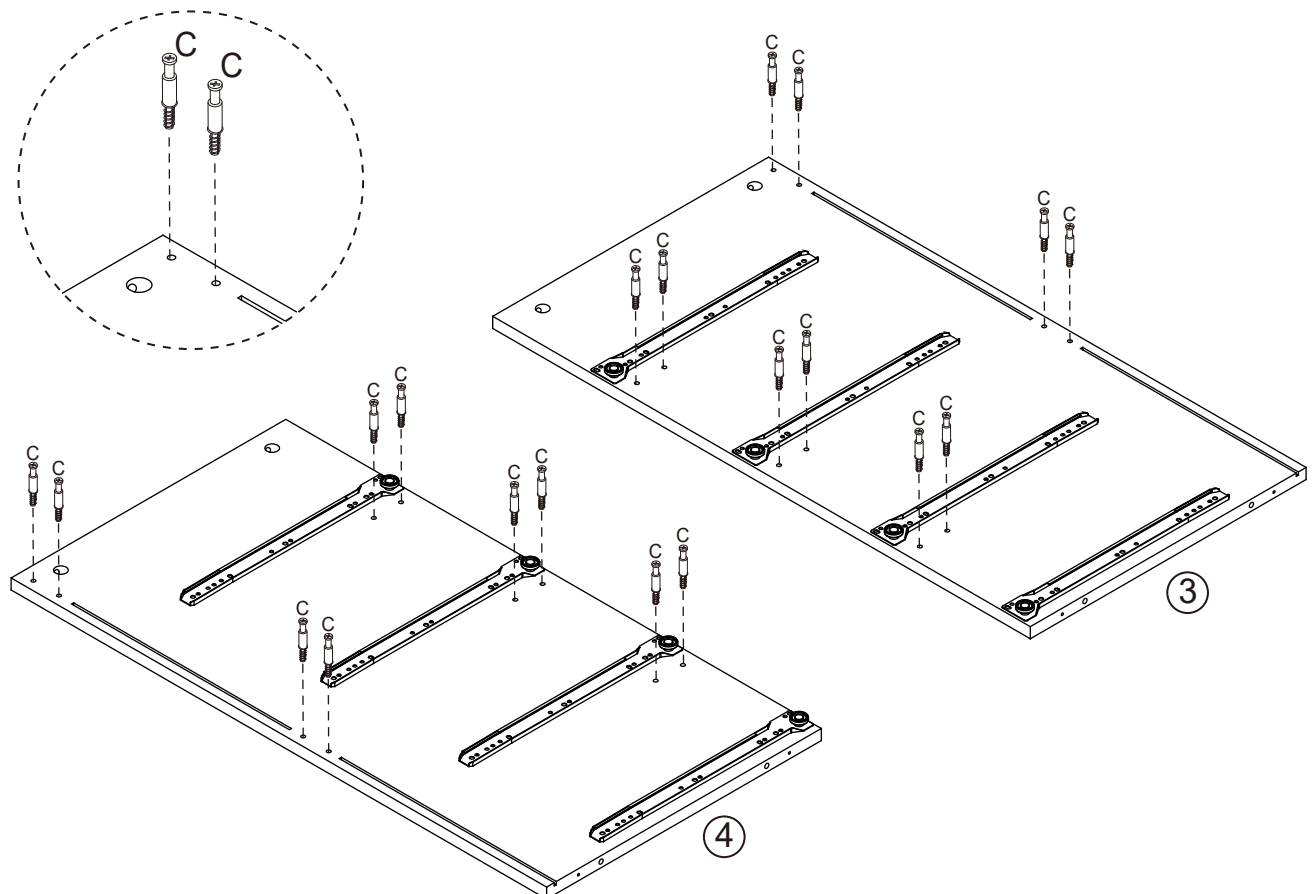
A  8 PCS	B  12 PCS	C  46 PCS	D  46 PCS	E  40 PCS	F  20 PCS	G  4 PCS
H  16 PCS	I  4 PCS	J  8 PCS	K  8 PCS	L  4 PCS	M  4 PCS	N  4 PCS
O  4 PCS	P  1 PC	Q  1 PC	R  1 PC	S  1 PC	T  2 PCS	

Step 1:



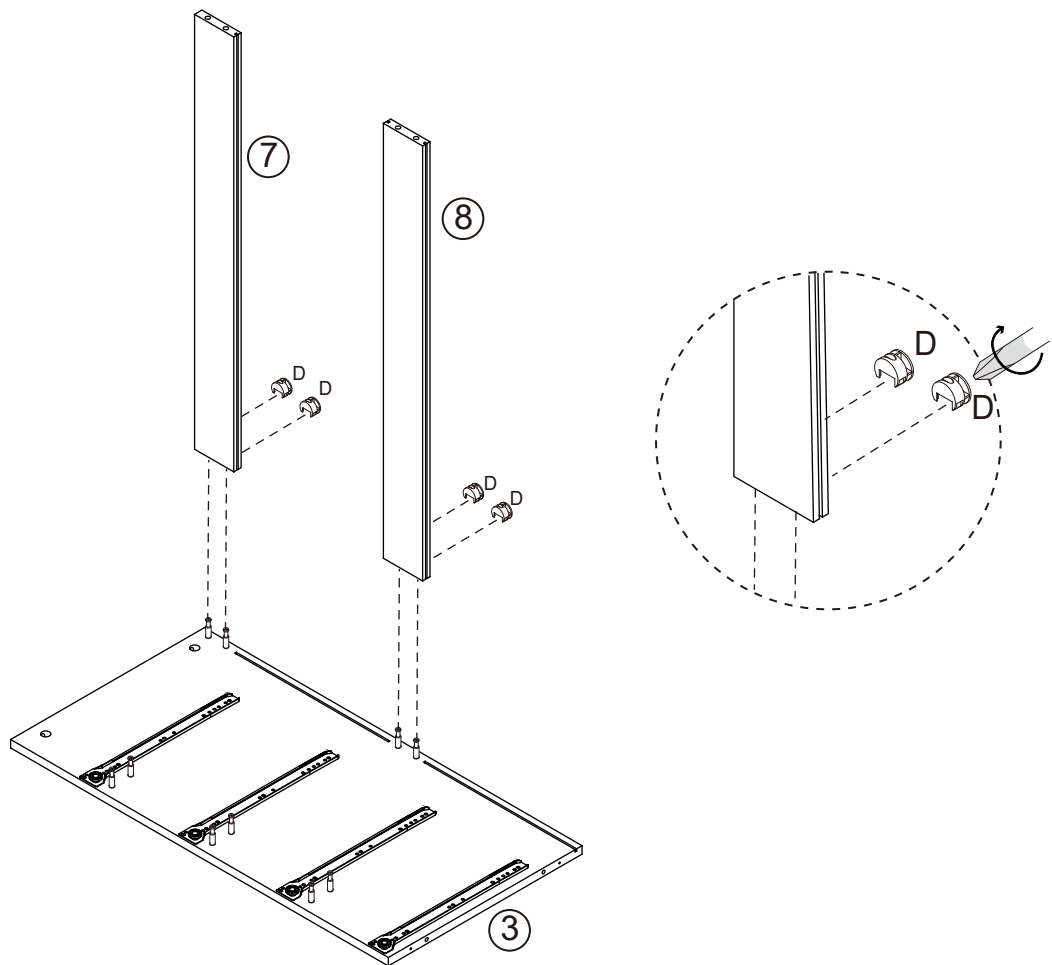
Attach 4 x CL Runner Tracks (L) to Left Side Panel [3] with 12 x Small Screws (E) as shown. Attach 4 x CR Runner Tracks (M) to Right Side Panel [4] with 12 x Small Screws (E) as shown. Tighten with a Phillips Head Screwdriver.

Step 2:



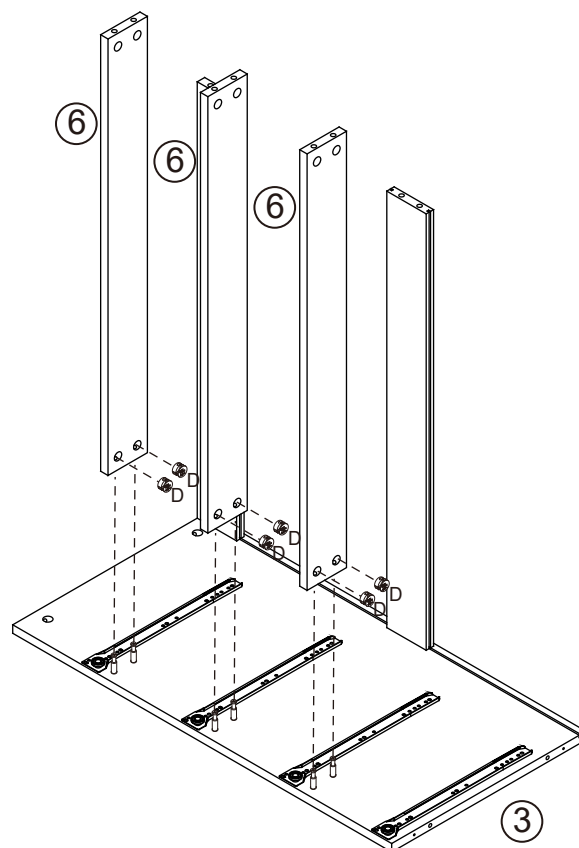
Attach 20 x Cam Bolts (C) to Left & Right Side Panels [3 & 4]. Tighten with a Phillips Head Screwdriver.

Step 3:



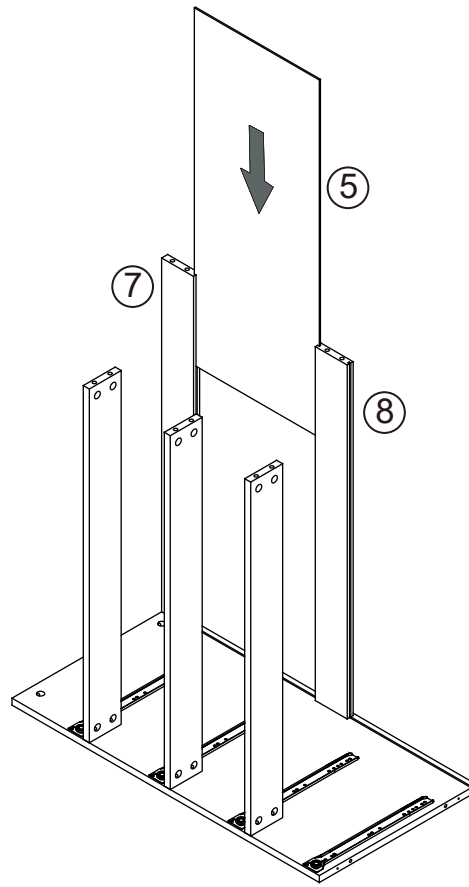
Insert 4 x Cam Nuts (D) into the holes of Rails [7 & 8]. Rotate the cam nuts so the arrows point towards the incoming cam bolts. Attach Rails [7 & 8] to Left Side Panel [3] by tightening with the Phillips Head Screwdriver.

Step 4:



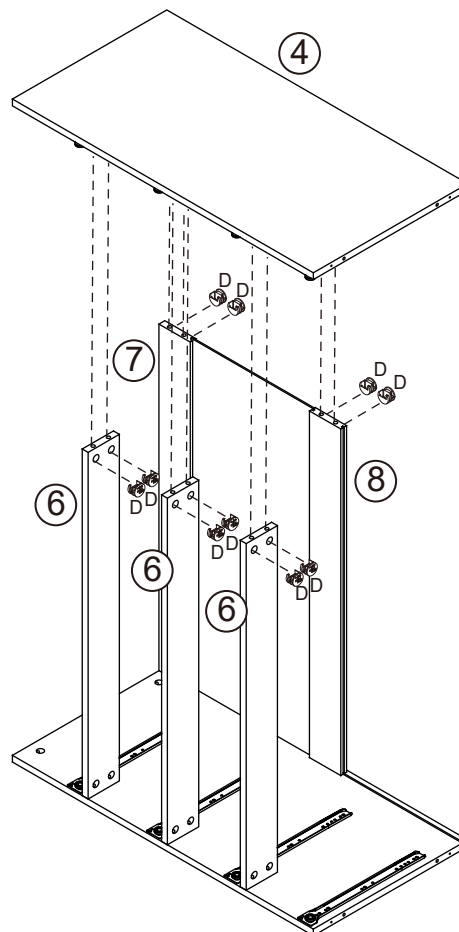
Insert 6 x Cam Nuts (D) into the holes of 3 x Rails [6]. Rotate the cam nuts so the arrows point towards the incoming cam bolts. Attach Rails [6] to Left Side Panel [3] by tightening with the Phillips Head Screwdriver.

Step 5:



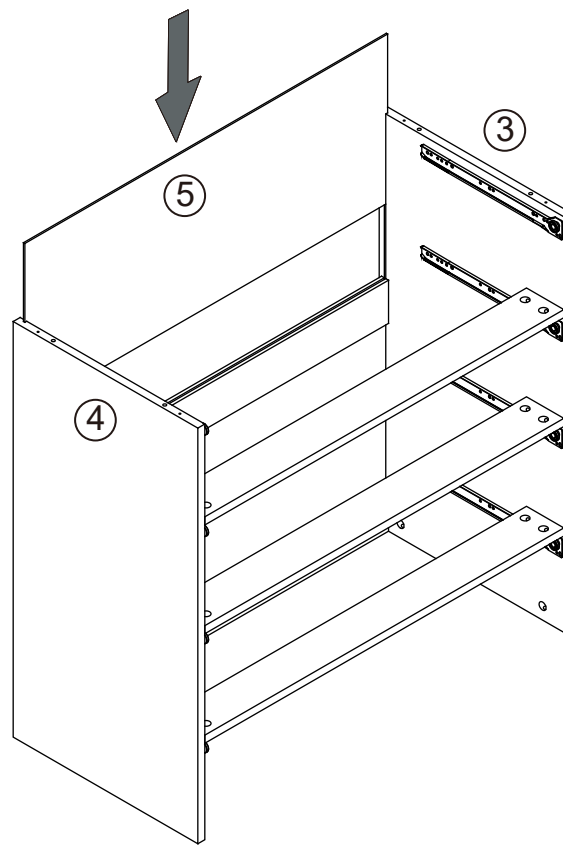
Slide Back Panel [5] into the grooves of Rails [7 & 8].

Step 6:



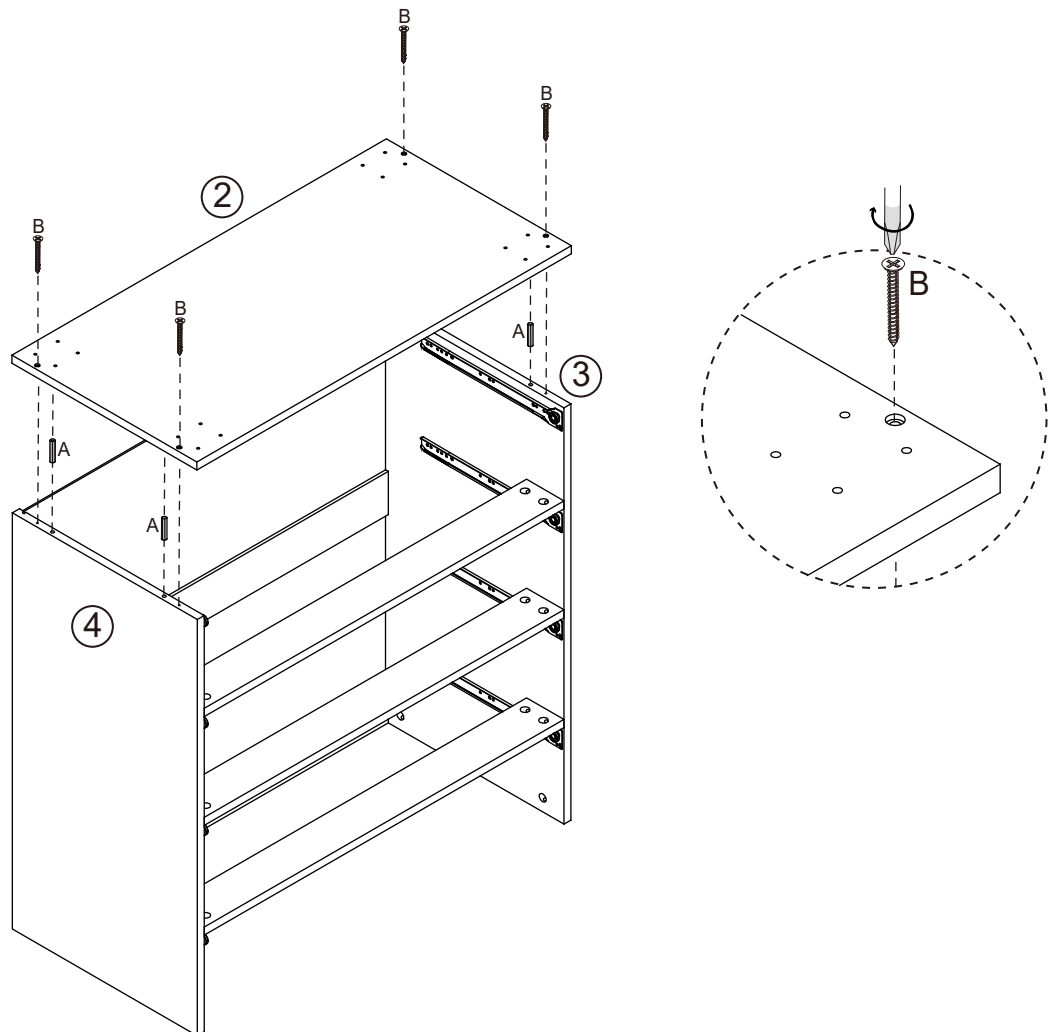
Insert 10 x Cam Nuts (D) into the holes of 3 x Rails [6] and Rails [7 & 8] . Rotate the cam nuts so the arrows point towards the incoming cam bolts. Attach Right Side Panel [4] to 3x Rails [6] and Rails [7 & 8]. by tightening with the Phillips Head Screwdriver.

Step 7:



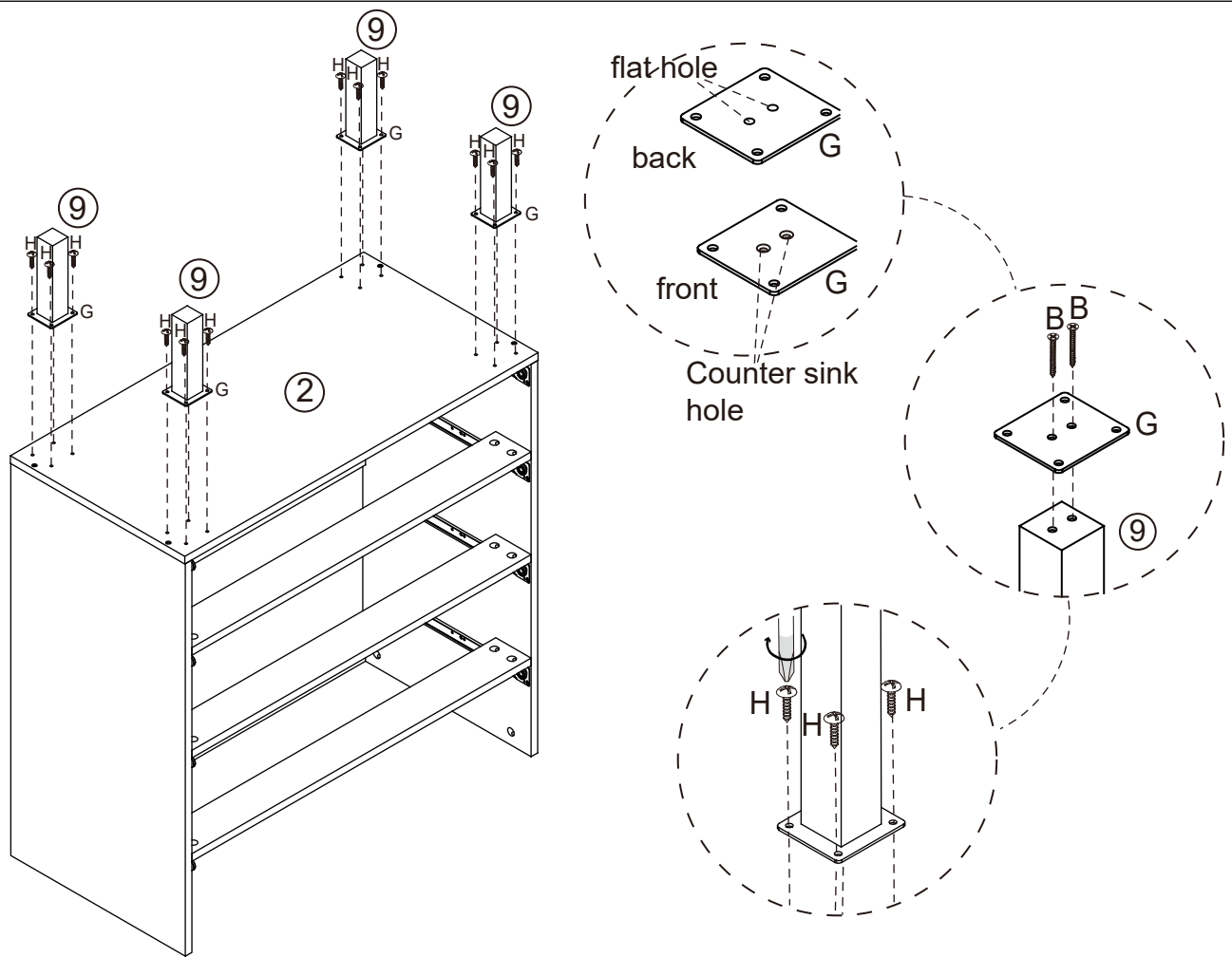
Slide Back Panel [5] into the Left & Right Side Panels [3 & 4].

Step 8:



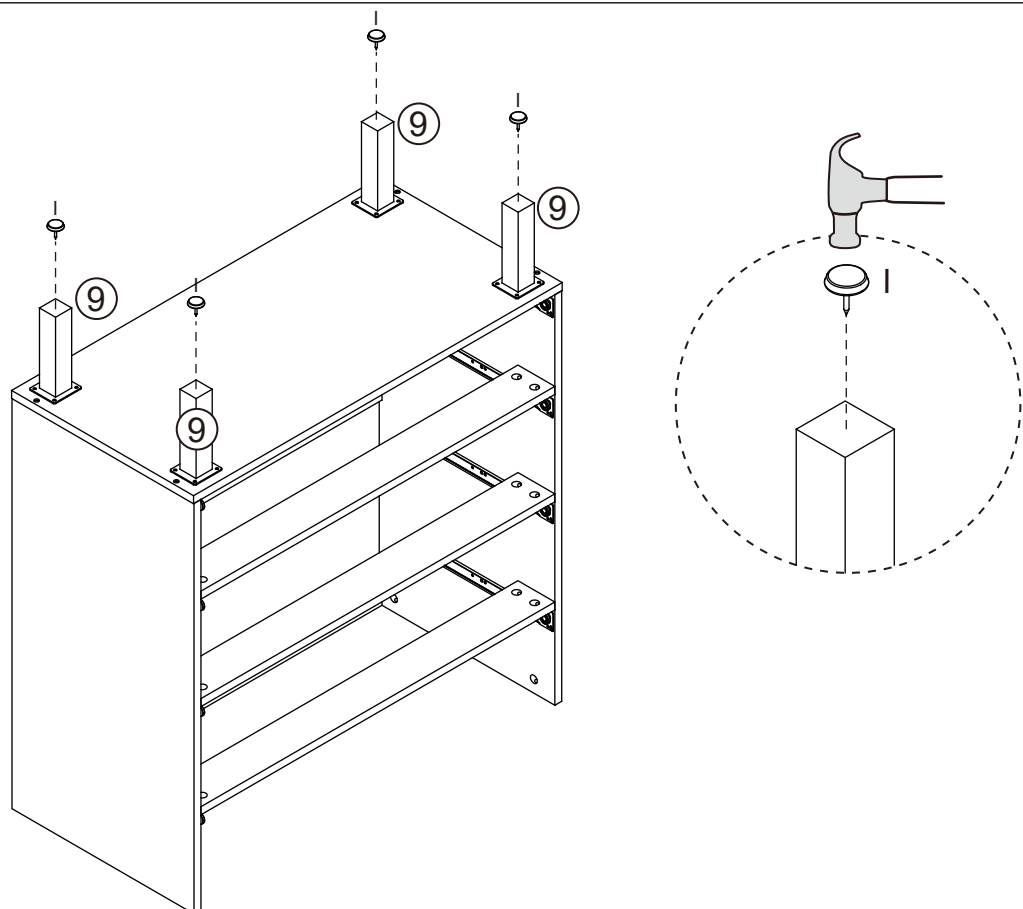
Insert 4 x Dowels (A) to Left & Right Side Panels [3 & 4]. Attach Bottom Panel [2] to Left & Right Side Panels [3 & 4] and secure with 4x Long Screws (B). Tighten with the Phillips Head Screwdriver.

Step 9:



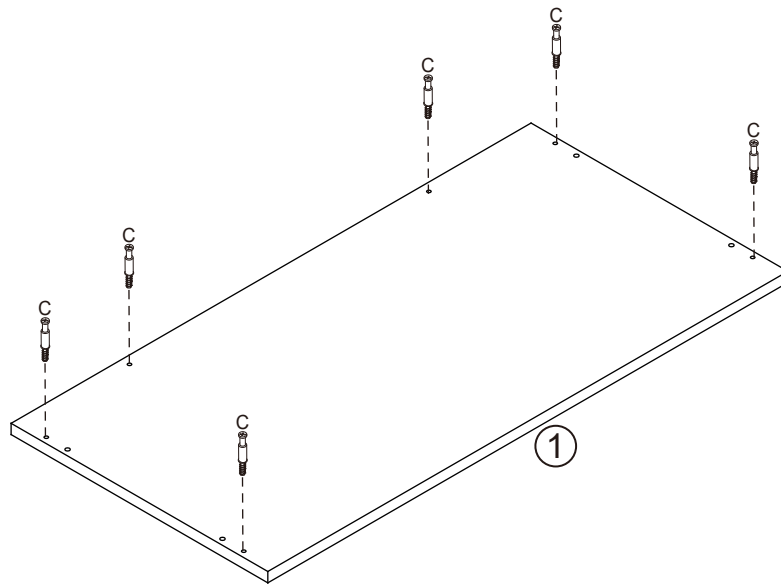
Attach 4 x Brackets (G) to 4 x Legs [9] and secure with 8x Long Screws (B). Tighten with the Phillips Head Screwdriver. Attach Legs [9] to Bottom Panel [2] and secure with 16x Screws (H). Tighten with the Phillips Head Screwdriver.

Step 10:



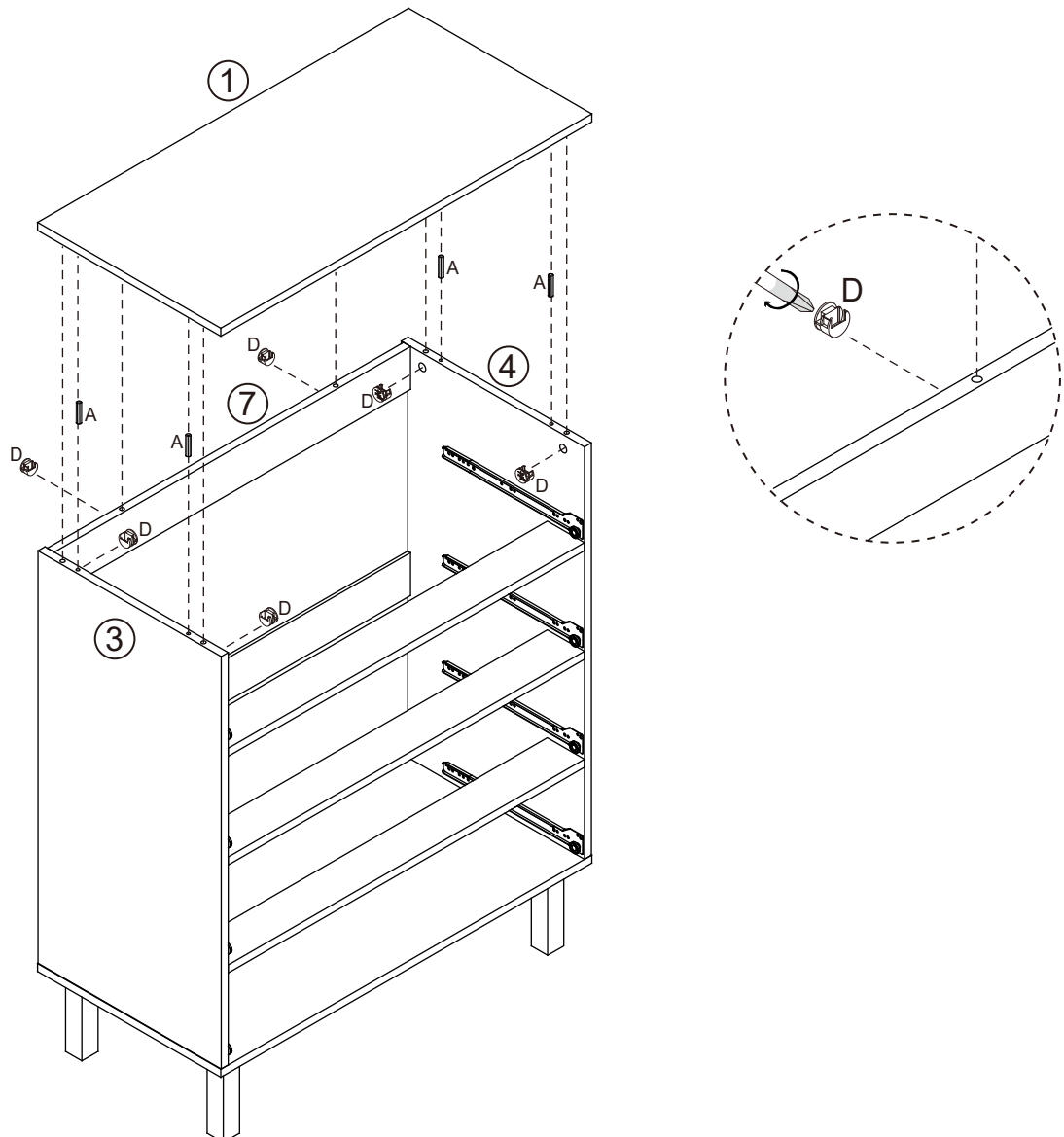
Attach 4 x Plastic Glide (I) to the end of Legs [9] by gently tapping with a hammer.

Step 11:



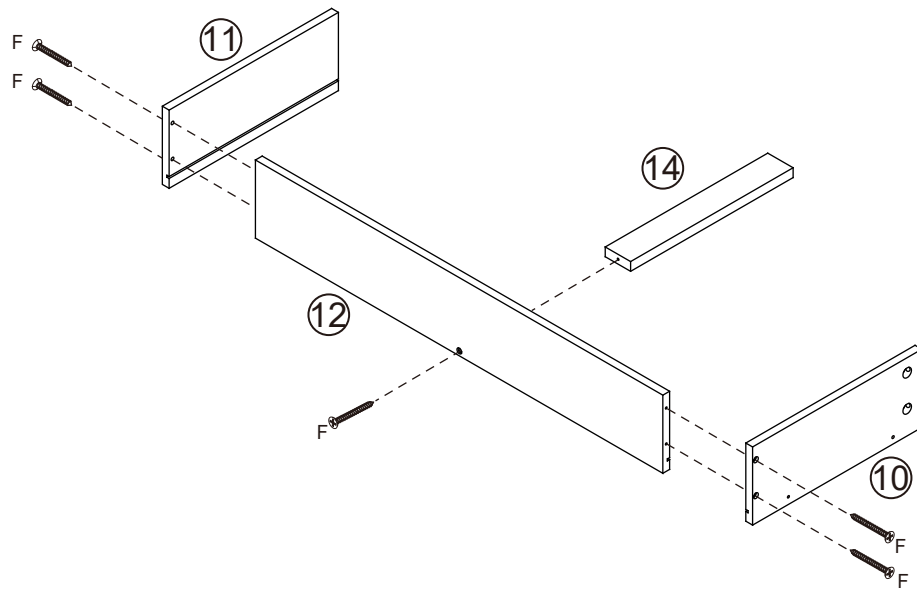
Attach 6 x Cam Bolts (C) to Top Panel [1]. Tighten with a Phillips Head Screwdriver.

Step 12:



Insert 4 x Dowels (A) into Left & Right Side Panels [3 & 4]. Insert 6 x Cam Nuts (D) into Left & Right Side Panels [3 & 4] and Rail [7] as shown. Rotate the cam nuts so the arrows point towards the incoming cam bolts. Attach Top Panel [1] to unit by tightening cam nuts with the Phillips Head Screwdriver.

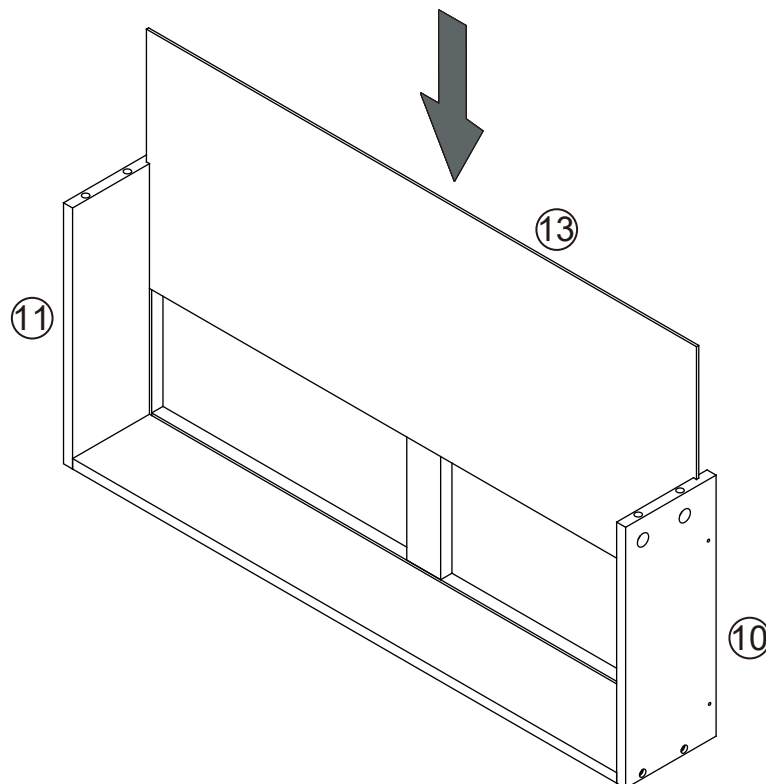
Step 13:



x4

Attach Left & Right Drawer Sides [10 & 11] and Drawer Rails [14] to Drawer Backs [12] with 20 x Long Screws (F) by tightening with the Phillips Head Screwdriver.

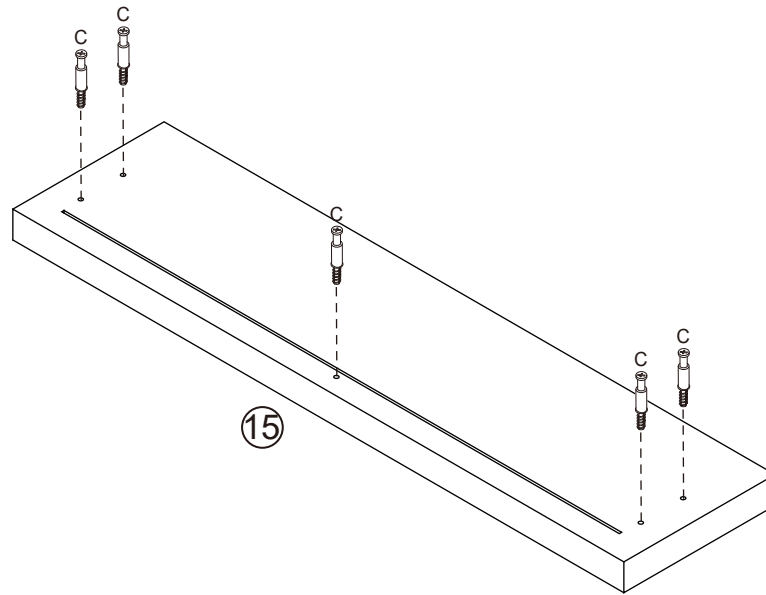
Step 14:



x4

Slide Drawer Bases [13] into the grooves of Left & Right Drawer Sides (10 & 11).

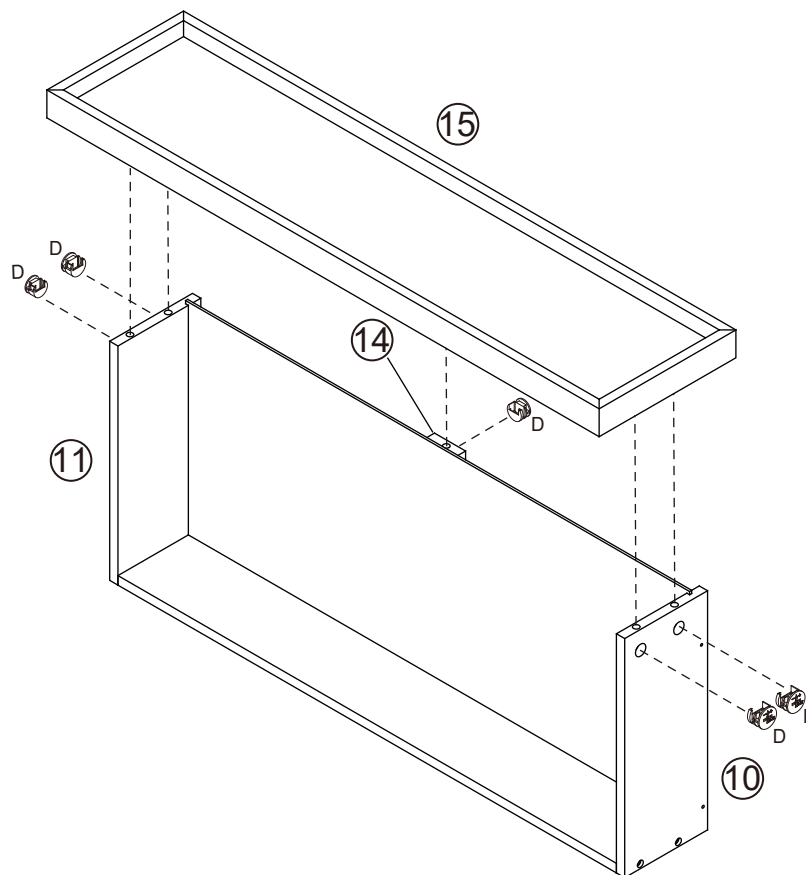
Step 15:



x4

Attach 20 x Cam Bolts (C) to Drawer Fronts [15] as shown. Tighten with a Phillips Head Screwdriver.

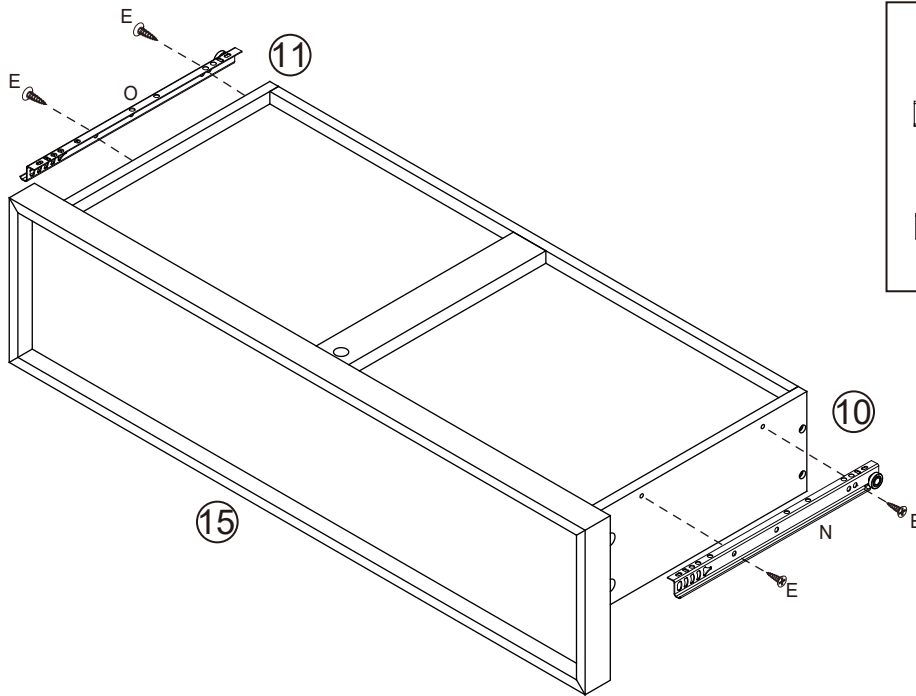
Step 16:



x4

Insert 20 x Cam Nuts (D) into Left & Right Drawer Sides [10 & 11] and Drawer Rails [14] as shown. Rotate the cam nuts so the arrows point towards the incoming cam bolts. Attach Drawer Fronts [15] to Left & Right Drawer Sides [10 & 11] and Drawer Rails [14] by tightening cam nuts with the Phillips Head Screwdriver.

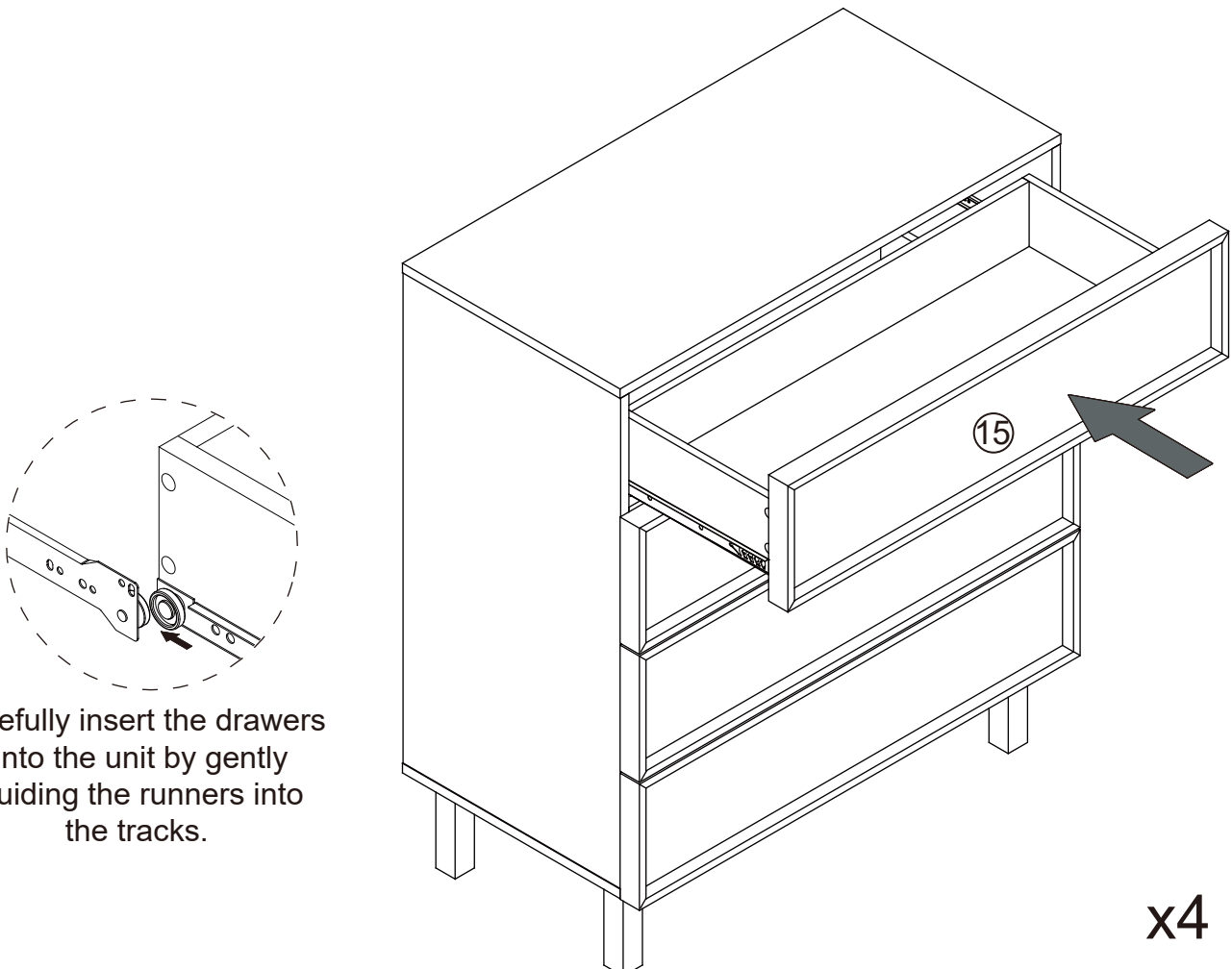
Step 17:



x4

Attach 4 x DL Runners (N) to the bottom of Left Drawer Sides [10] and 4 x DR Runners (O) to the bottom of Right Drawer Sides [11] with 16 x Small Screws (E) by tightening with the Phillips Head Screwdriver.

Step 18:

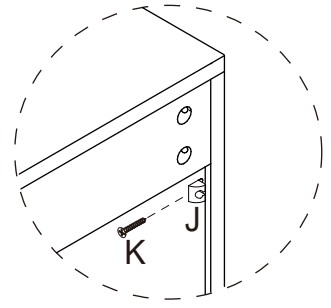
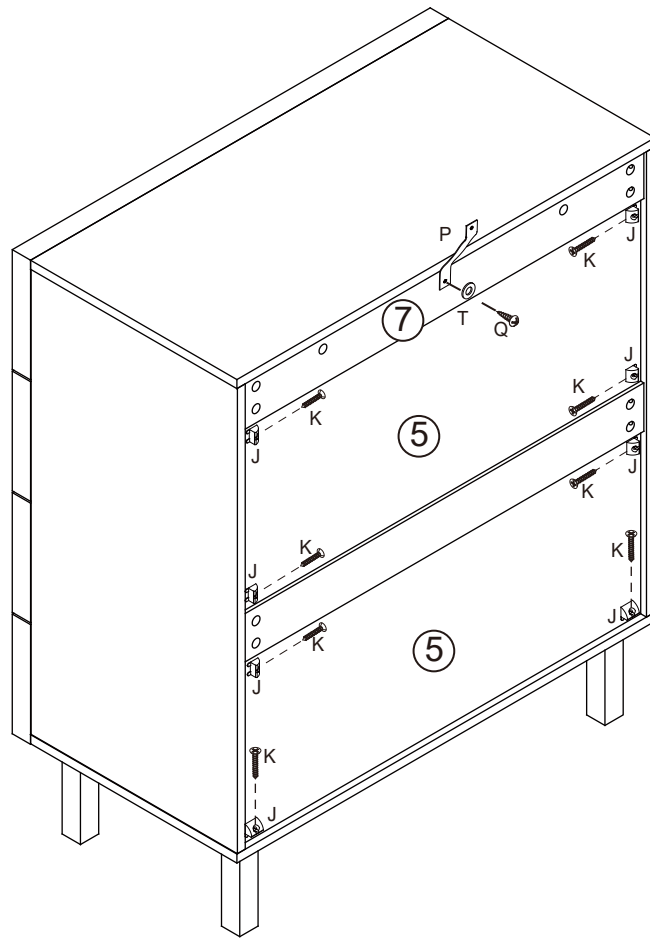
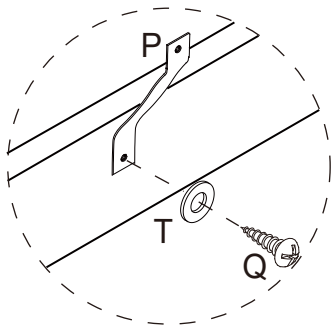


Carefully insert the drawers into the unit by gently guiding the runners into the tracks.

x4

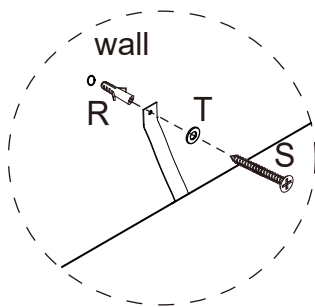
Insert the assembled drawers into the corresponding compartments as shown.

Step 19:

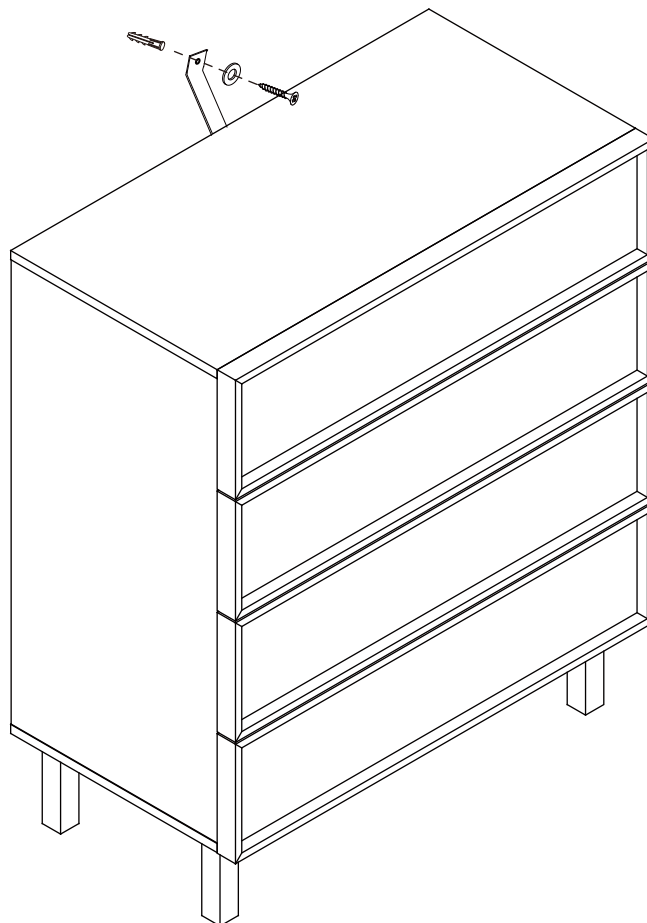


Secure Back Panels [5] in place with 8 x Wedges (J) using 8 x Screws (K). Attach 1 x Safety Strap (P) to Rail [7] of the back side of the unit as shown using 1 x Washer (T) and 1x Screw (Q).

Step 20:



Recommended step
for wall securing



Move the unit to the final position. Fasten the safety strap to your wall using appropriate fixings for your wall type. If you are unsure, please seek professional advice on how to attach this safety strap to your specific wall.



WARNING

It is STRONGLY RECOMMENDED that you ANCHOR this product.

Toppling furniture can cause serious injuries and death.

This product has been provided with an anchor strap. To prevent your furniture from tipping forward it is strongly recommended that you securely attach this product to a wall or other solid surface, using the anchor strap provided and appropriate fixings.

IMPORTANT:

Regularly check that anchors are securely maintained.

Stability of tall items may be affected by thick pile carpet or uneven floors.

CAUTION:

- For your safety when attaching the anchor fixings, please note the following:
Check for any electrical wires or plumbing inside the wall before drilling any holes (if you are unsure please seek professional advice from a qualified tradesperson)
- Walls are constructed from different materials, for example, masonry (solid brick) or plasterboard lined cavity walls (hollow). It is important that you use the appropriate wall fixings for your wall type.
- Your local hardware store will have the necessary drills and fixings and can offer advice if needed. If in doubt, engage the services of a qualified tradesperson to install and anchor the product.