

Assembly Instruction

SAFETY WARNING !

A)

WARNING : TOP BUNKS AND ELEVATED BEDS

ARE DANGEROUS AND ARE NOT RECOMMENDED

FOR CHILDREN UNDER THE AGE OF 9

Falls from elevated beds can be fatal and deaths have occurred where children have fallen from elevated beds. This is relevant for all ages. The risk is greater for younger children.

The risk of injury or death from a fall from an elevated bed compared to a non-elevated bed is :

10 x greater for 7-8 year olds

7 x greater for 9-10 year olds

3 x greater for 11-12 year olds

B) Children should be discouraged from playing on the bunk bed.

C) The bunk bed should be checked periodically to ensure that the guardrail, access device and other components are maintained in the correct position and state of repair and that all connectors are tight.

D) **WARNING** : The upper bunk must be more than 2m from any ceiling fan.

ASSEMBLY INSTRUCTIONS

IQPCBUSD

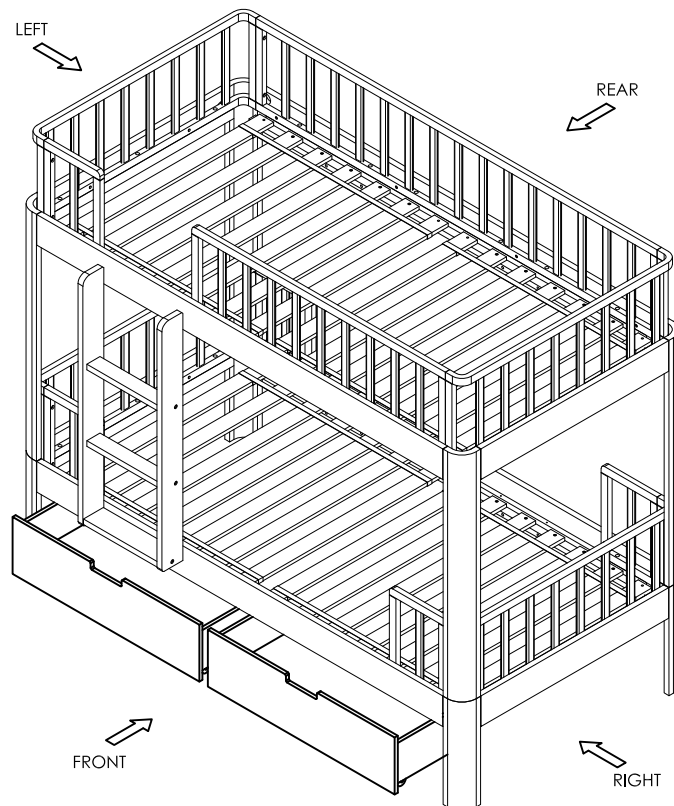
PRESTON CONVERTIBLE SINGLE BUNK BED WITH DRAWERS

Read these instructions and follow steps carefully to ensure you assemble the product correctly and avoid damage. Check that all parts and hardware have been provided before assembling the product. Place all contents on a cleans, soft-flat surface to avoid scratching the product.









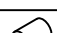
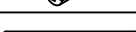
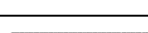

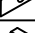


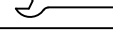

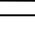




CAUTION :

Only tighten bolts to 80% at first. Once all parts have been assembled fully tighten all hardware. To prevent damage to threads, do not use a power tool and do not overtighten bolts. Use Two people to lift and turn the product when assembling. Do not attempt with only one person and do not roll onto legs. Keep all hardware and small parts away from children.



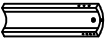



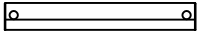
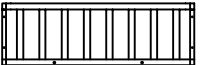
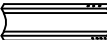
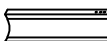
HARDWARE LIST

NO.	DESCRIPTION	QTY
1	JCBC M6 x 60mm 	7pcs
2	JCBC M6 x 40mm 	20pcs
3	JCBC M6 x 16mm 	8pcs
4	JCBC-W M6 x 40mm 	27pcs
5	JCBC-W M6 x 28mm 	16pcs
6	WOOD SCREW 4.0 x 28mm 	60pcs
7	WOOD SCREW 3.5 x 16mm 	40pcs
8	WOOD DOWEL Ø10 x 30mm 	40pcs
9	BARREL NUT M6 x 13mm 	6pcs
10	METAL HOLLOW PIN WITH HOLE 	4pcs
11	HANGER BOLT 	24pcs
12	H/M WASHER 	24pcs
13	HEX NUT 	24pcs
14	L-BRACKET 	4pcs
15	WRENCH 	1pc
16	ALLEN KEY M4 	1pc
17	MINIFIX BOLT 	28pcs
18	MINIFIX CAM 	28pcs
19	CASTOR 	8pcs
20	WOOD DOWEL Ø8 x 30mm 	16pcs


ASSEMBLY INSTRUCTIONS

PART LIST MODEL : IQPCBUSD

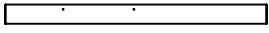
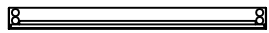
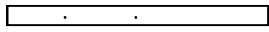



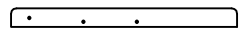
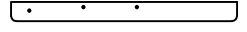
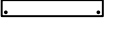

CARTON 1 OF 4

ITEM	PART NAME	QTY
A	LOWER LEG (LEFT REAR - RIGHT FRONT) 	2pcs
B	LOWER LEG (RIGHT REAR - LEFT FRONT) 	2pcs
C	UPPER LEG (LEFT REAR - RIGHT FRONT) 	2pcs
D	UPPER LEG (RIGHT REAR - LEFT FRONT) 	2pcs
E	HEADBOARD / FOOTBOARD RAIL 	4pcs
I	HEADBOARD / FOOTBOARD FRAME 	4pcs
R	EXTRA LOWER LEG (LEFT REAR - RIGHT FRONT) 	2pcs
S	EXTRA LOWER LEG (RIGHT REAR - LEFT FRONT) 	2pcs

CARTON 3 OF 4

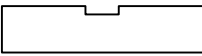
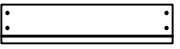
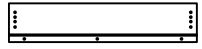
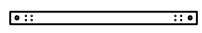
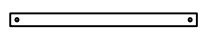

ITEM	PART NAME	QTY
M	SLAT 	4sets

CARTON 2 OF 4

ITEM	PART NAME	QTY
F	LOWER FRONT SIDE RAIL 	1pc
G	UPPER & LOWER REAR SIDE RAIL 	2pcs
H	UPPER FRONT SIDE RAIL 	1pc
J	SHORT GUARD FRAME 	5pcs
K	UPPER FRONT GUARD FRAME 	1pc
L	UPPER REAR GUARD FRAME 	1pc
N	RIGHT LADDER RAIL 	1pc
O	LEFT LADDER RAIL 	1pc
P	UPPER LADDER STRETCHER 	2pcs
Q	LOWER LADDER STRETCHER 	1pc

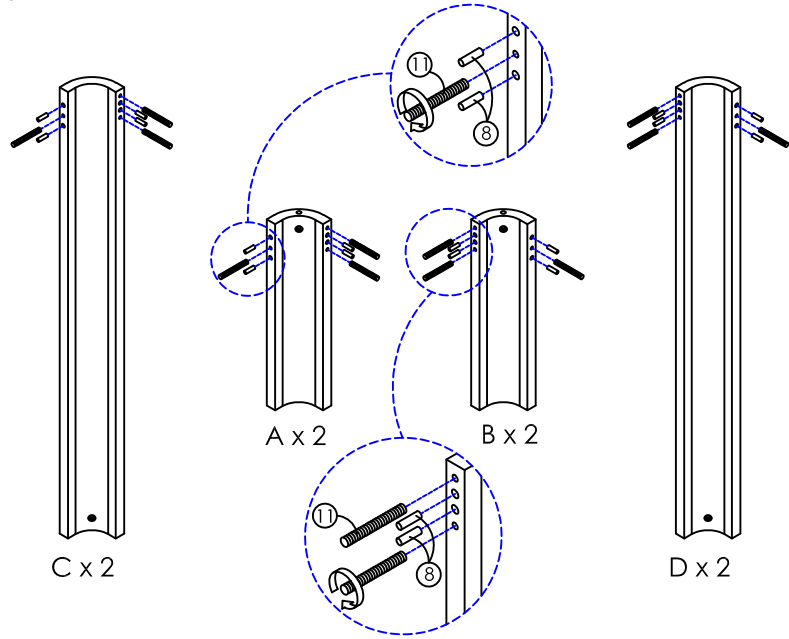
Assembly Instructions + Fitting List

CARTON 4 OF 4

ITEM	PART NAME	QTY
T	FRONT PANEL 	2pcs
U	SIDE PANEL 	4pcs
V	BACK PANEL 	2pcs
W	BOTTOM SUPPORT RAIL WITH CASTOR HOLE 	4pcs
X	BOTTOM SUPPORT RAIL 	2pcs
Y	BOTTOM PANEL 	2pcs

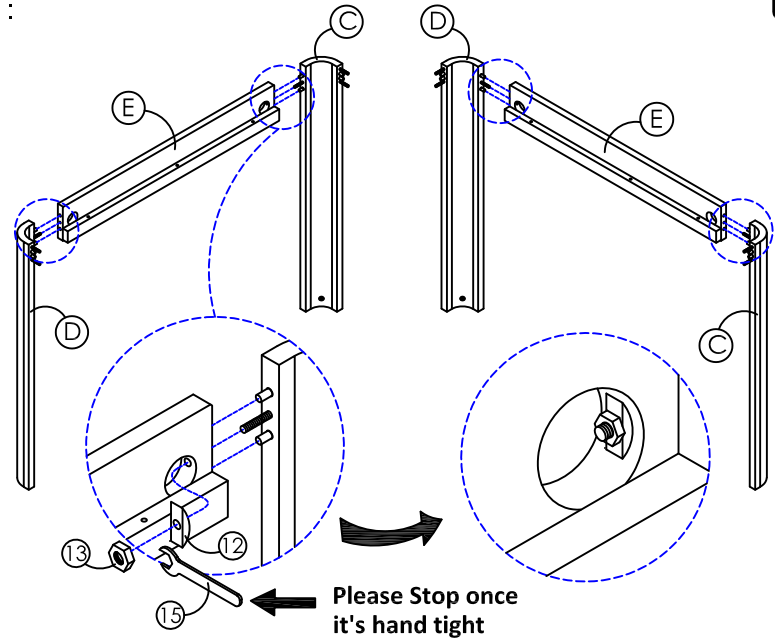
ASSEMBLY INSTRUCTIONS

STEP 1 :



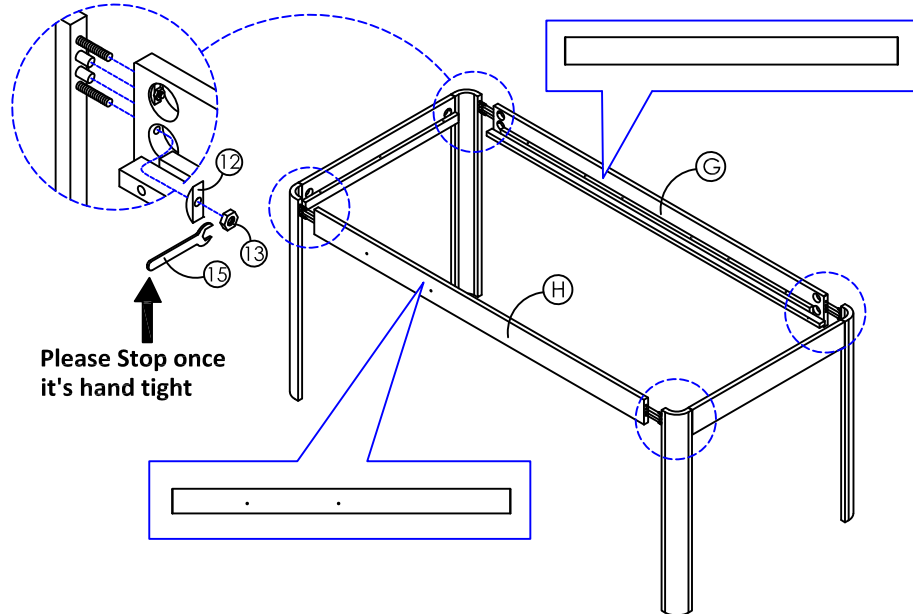
STEP 2 :

UPPER BED



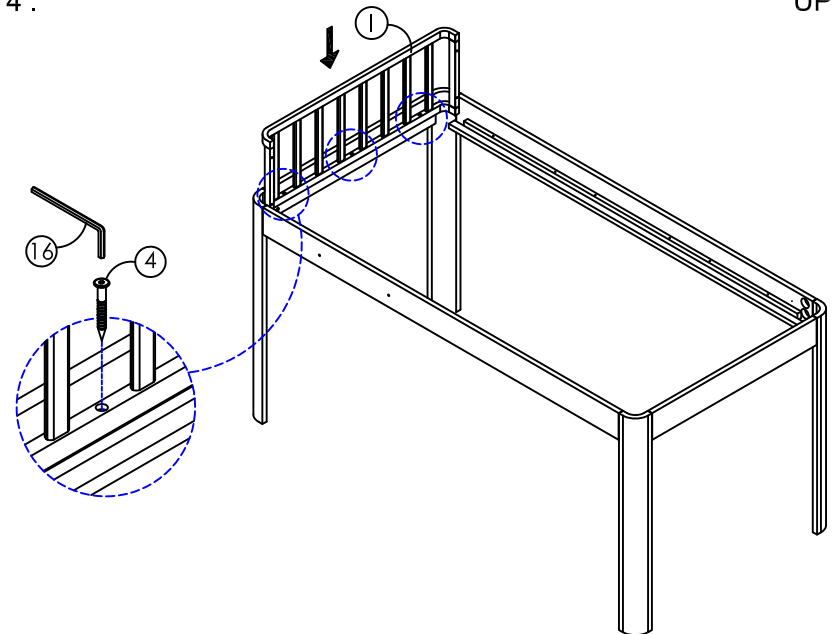
STEP 3 :

UPPER BED



STEP 4 :

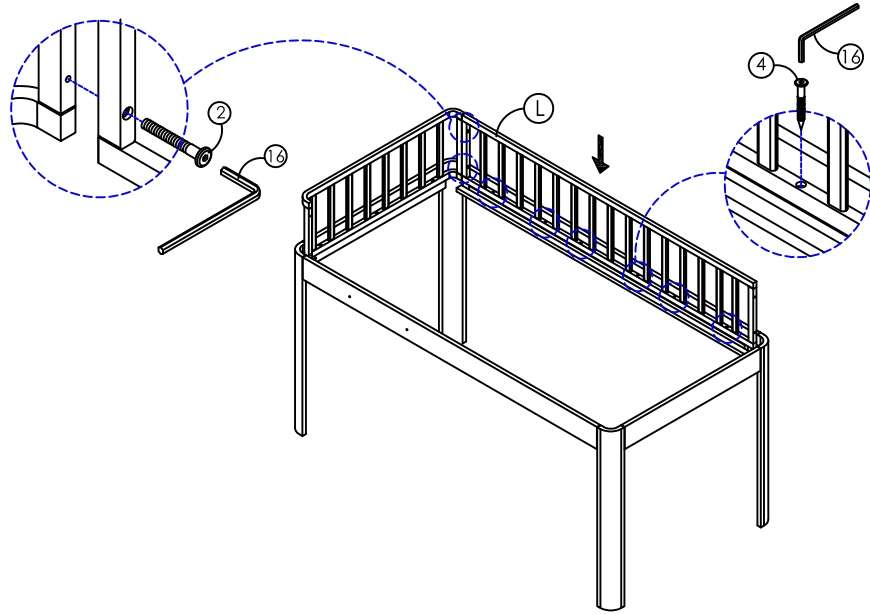
UPPER BED



ASSEMBLY INSTRUCTIONS

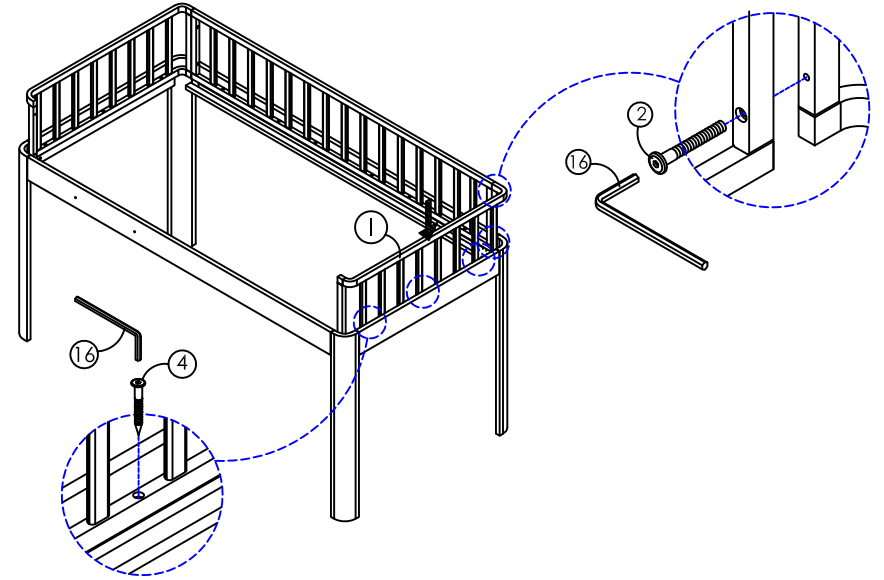
STEP 5 :

UPPER BED



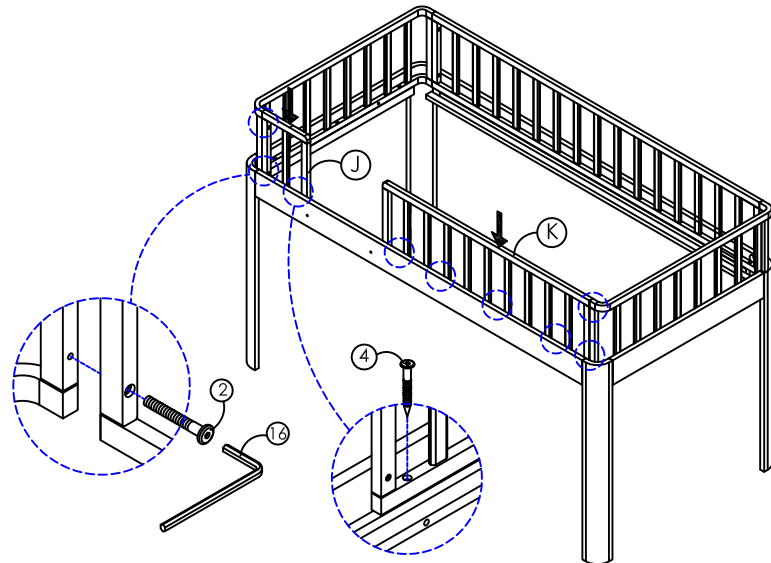
STEP 6 :

UPPER BED



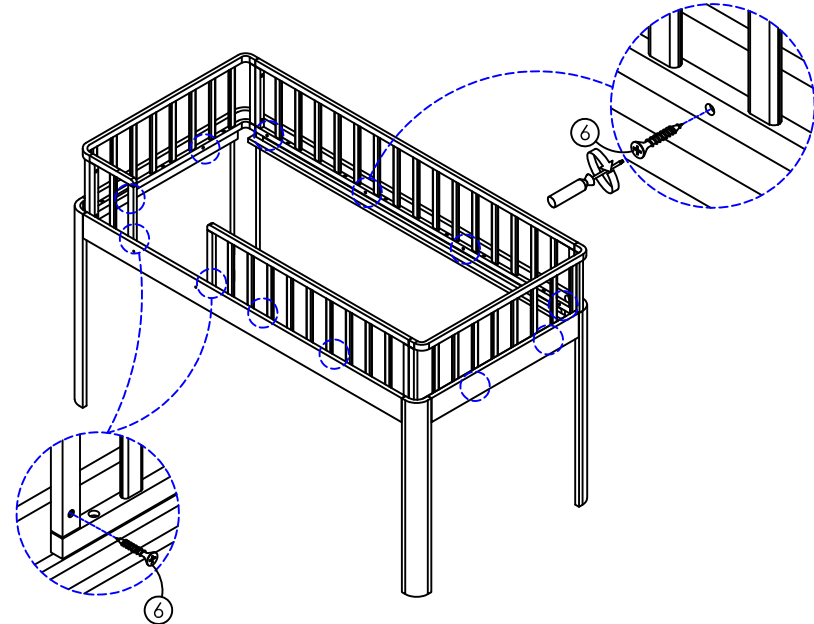
STEP 7 :

UPPER BED



STEP 8 :

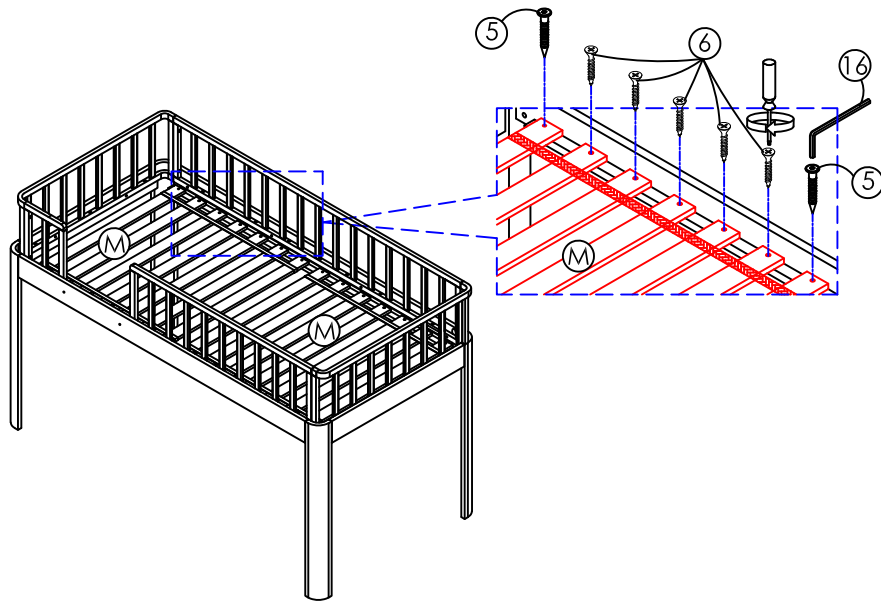
UPPER BED



ASSEMBLY INSTRUCTIONS

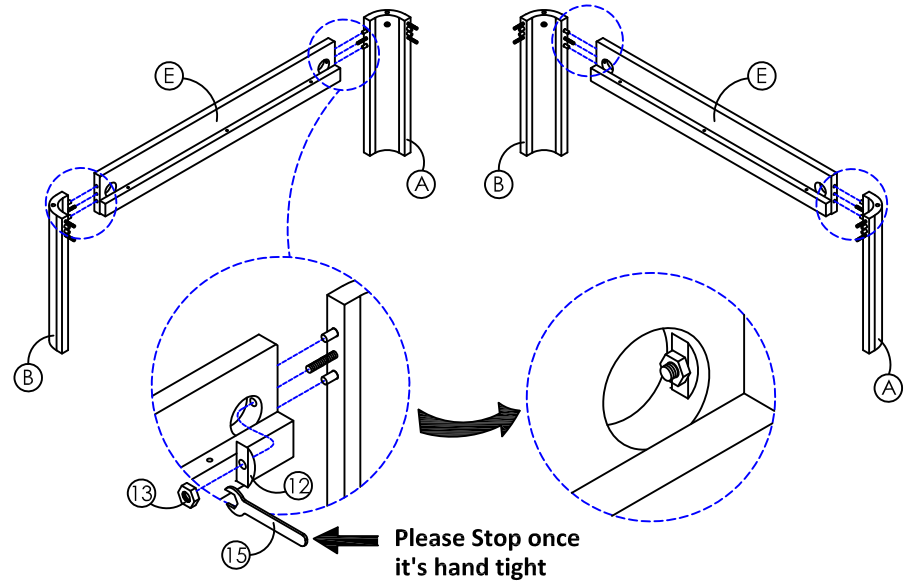
STEP 9 :

UPPER BED



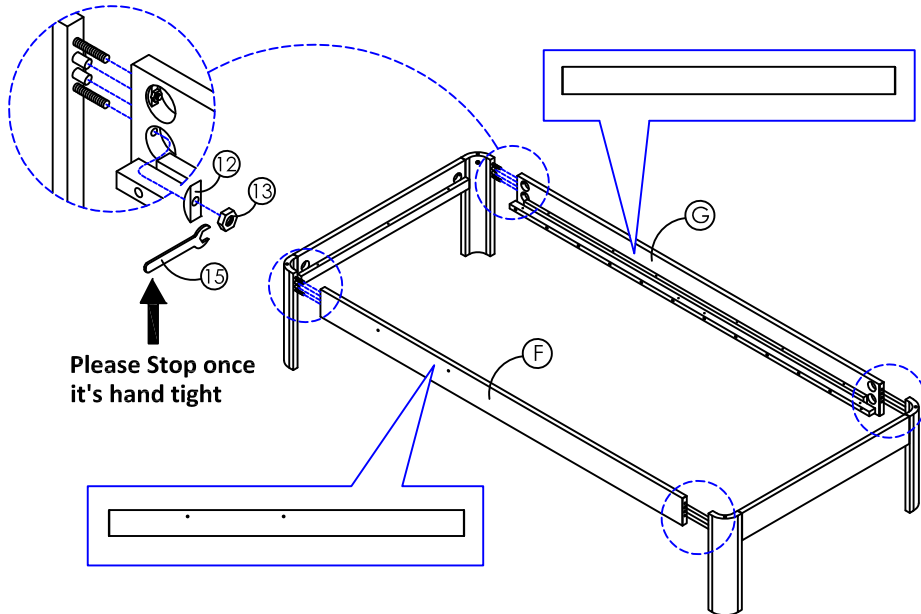
STEP 10 :

LOWER BED



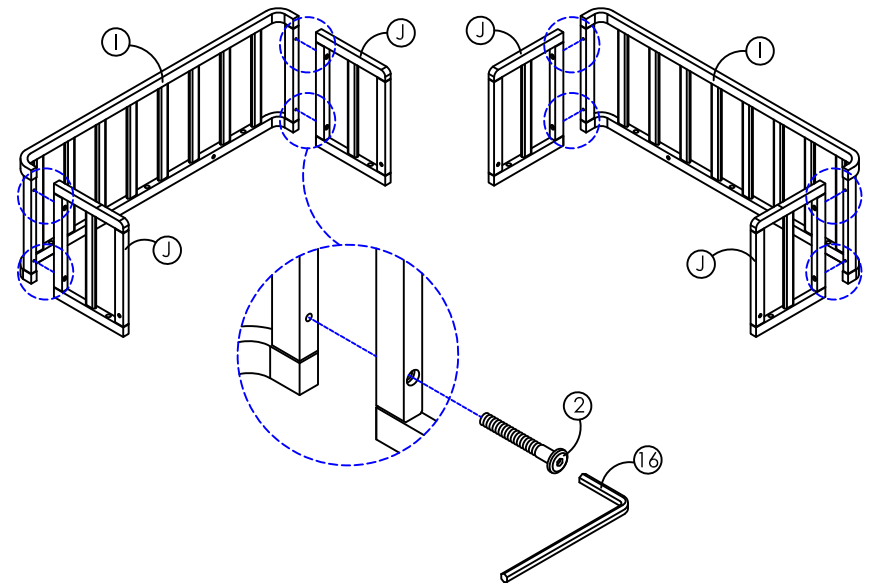
STEP 11 :

LOWER BED



STEP 12 :

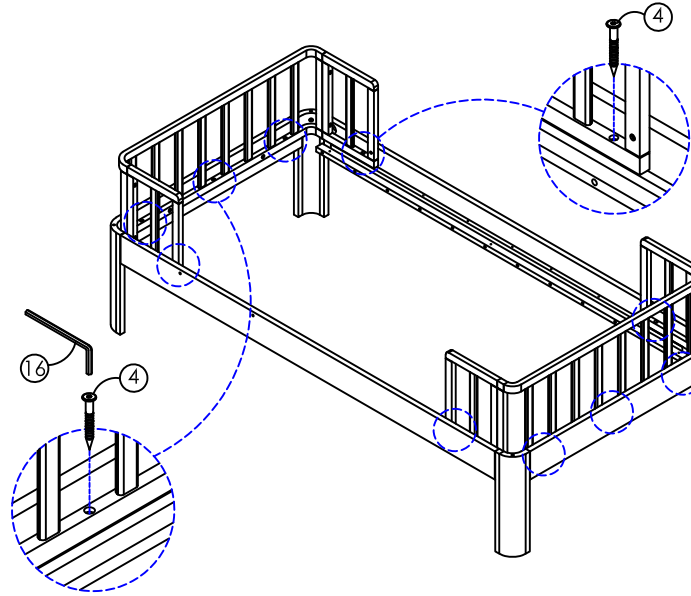
LOWER BED



ASSEMBLY INSTRUCTIONS

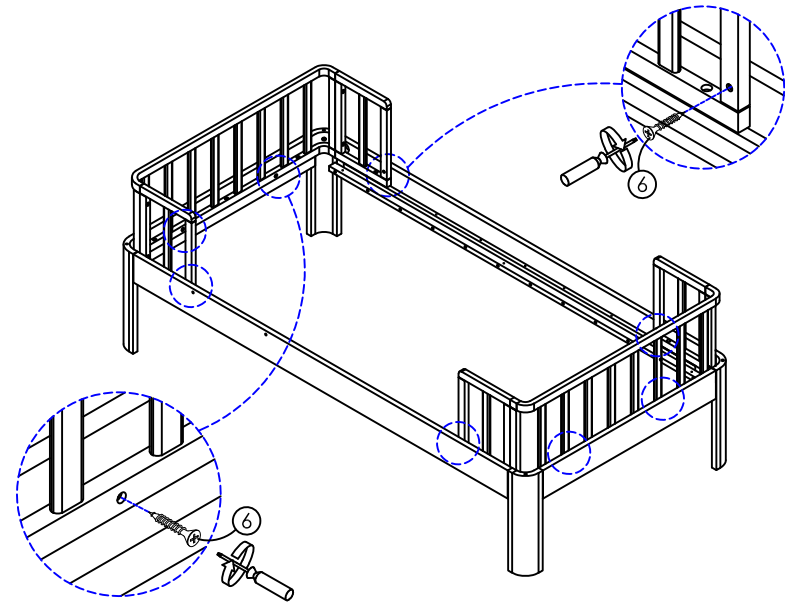
STEP 13 :

LOWER BED



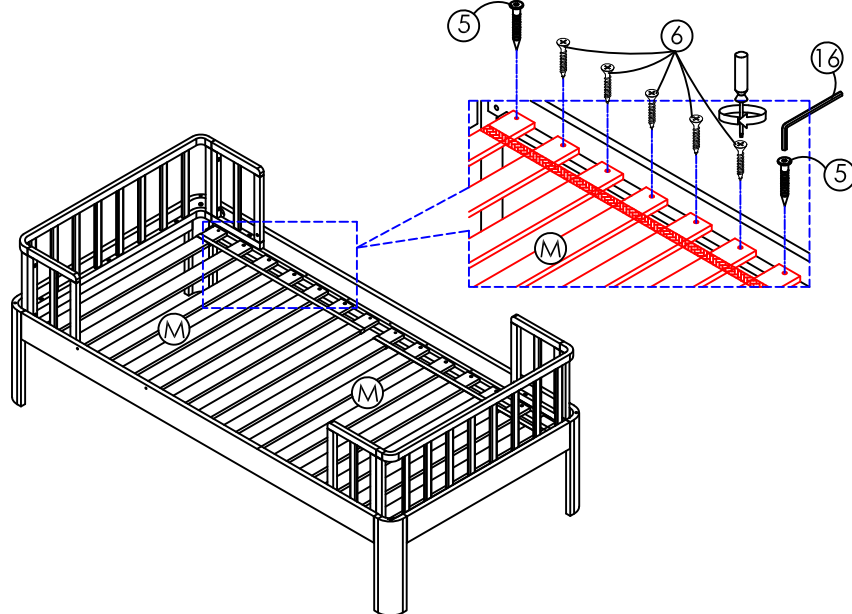
STEP 14 :

LOWER BED



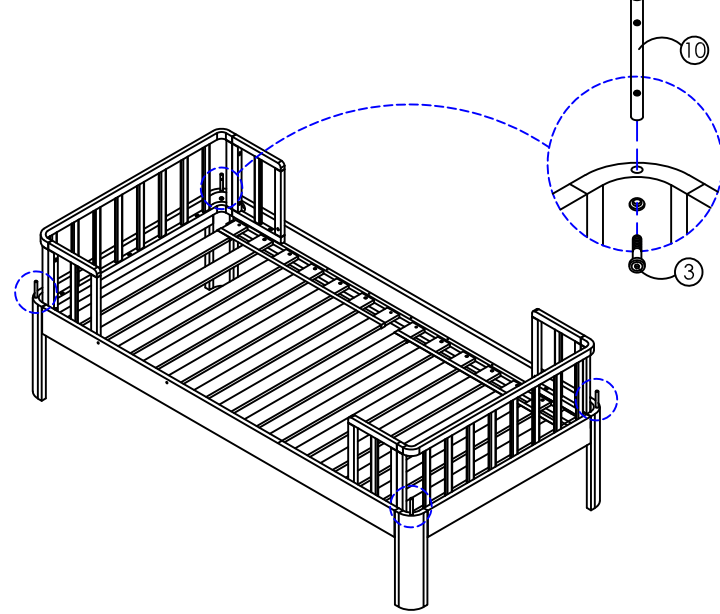
STEP 15 :

LOWER BED



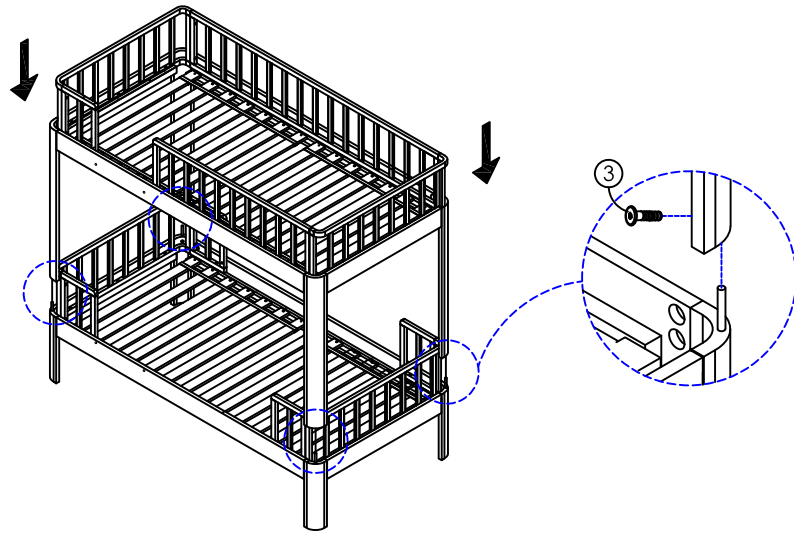
STEP 16 :

LOWER BED

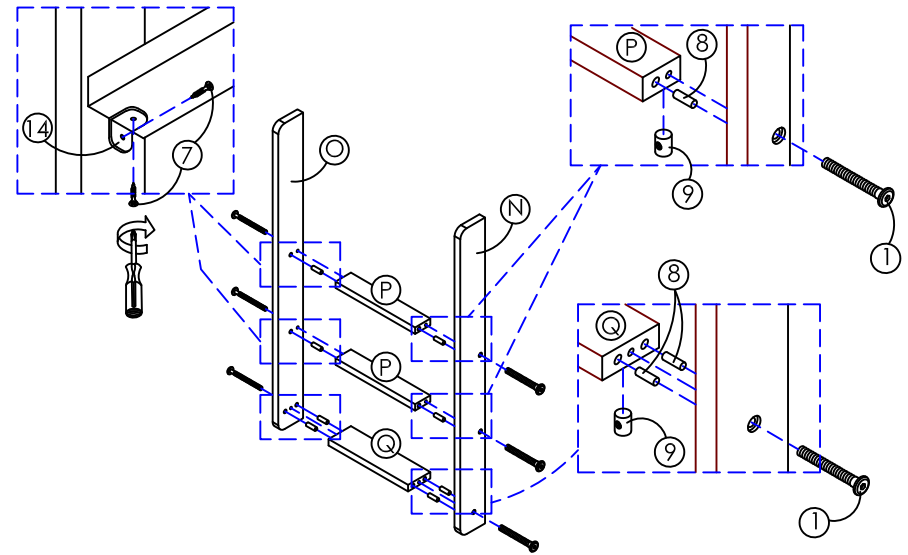


ASSEMBLY INSTRUCTIONS

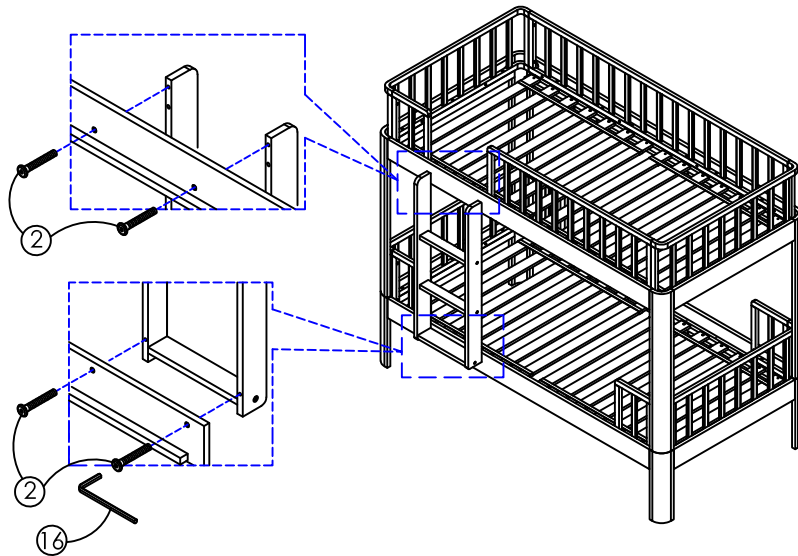
STEP 17 :



STEP 18 :



STEP 19 :

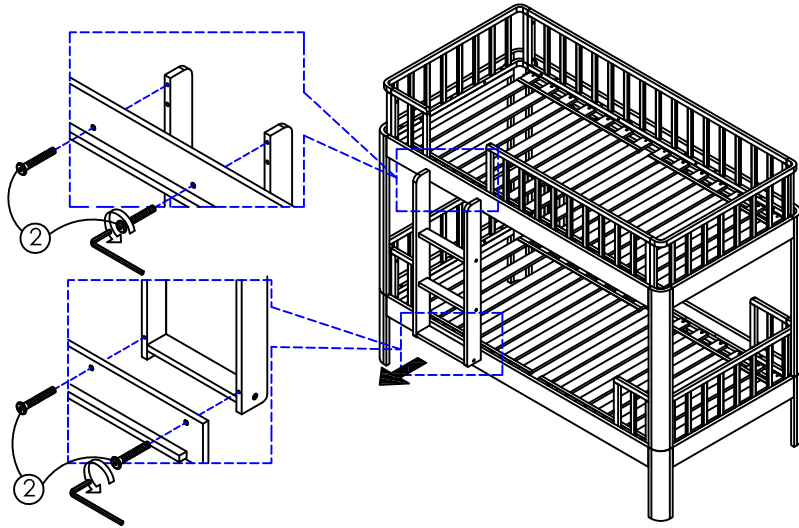


STEP 20 :
COMPLETE ASSEMBLY FOR BUNK BED.

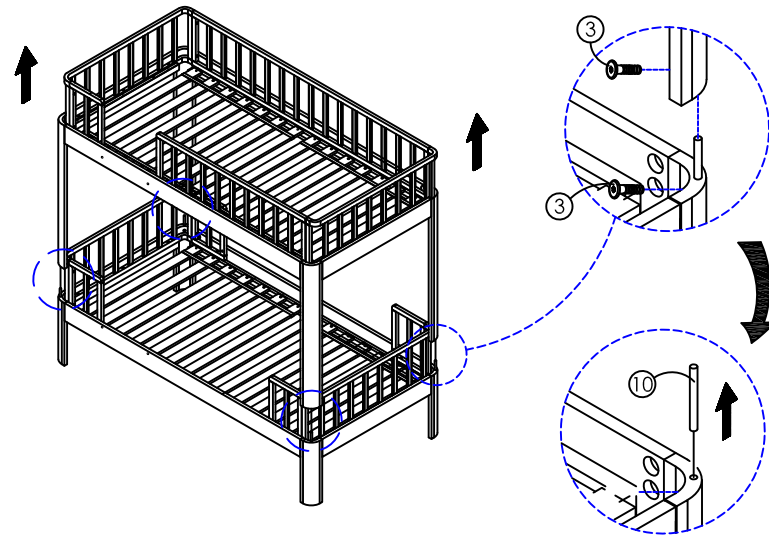


ASSEMBLY INSTRUCTIONS

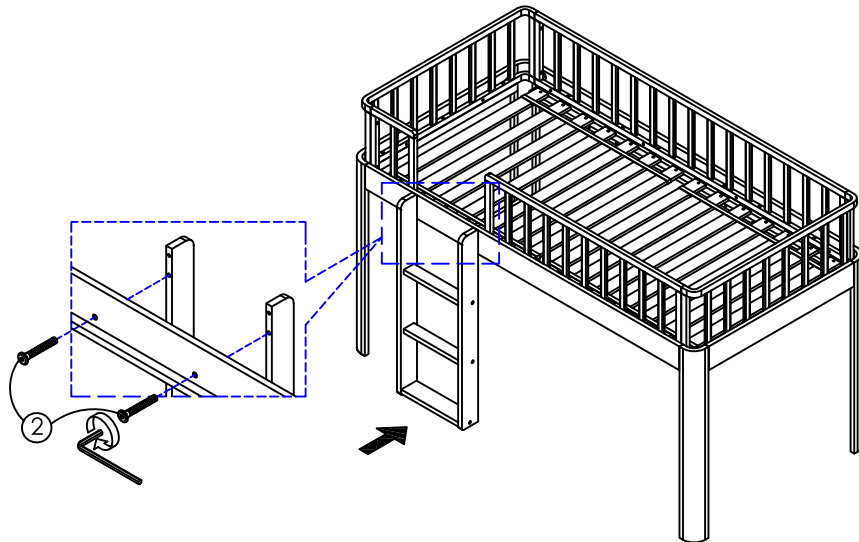
STEP 21 :
INSTRUCTION TO CHANGE THE BUNK BED TO KIDS LOFT.



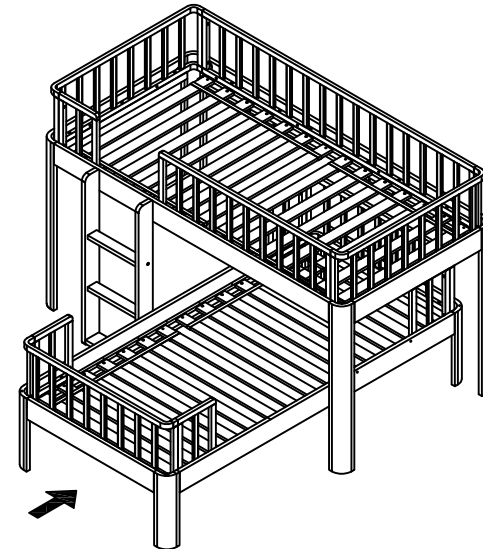
STEP 22 :



STEP 23 :

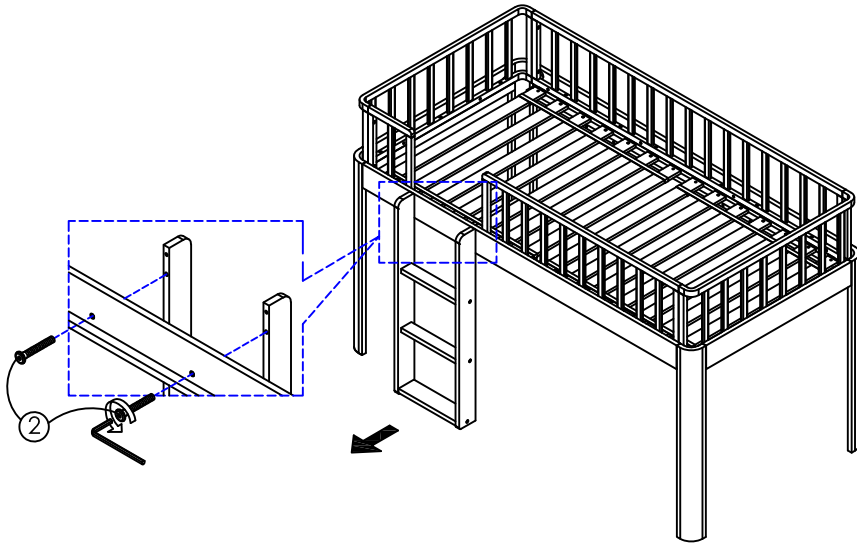


STEP 24 :
COMPLETE ASSEMBLY FOR KIDS LOFT

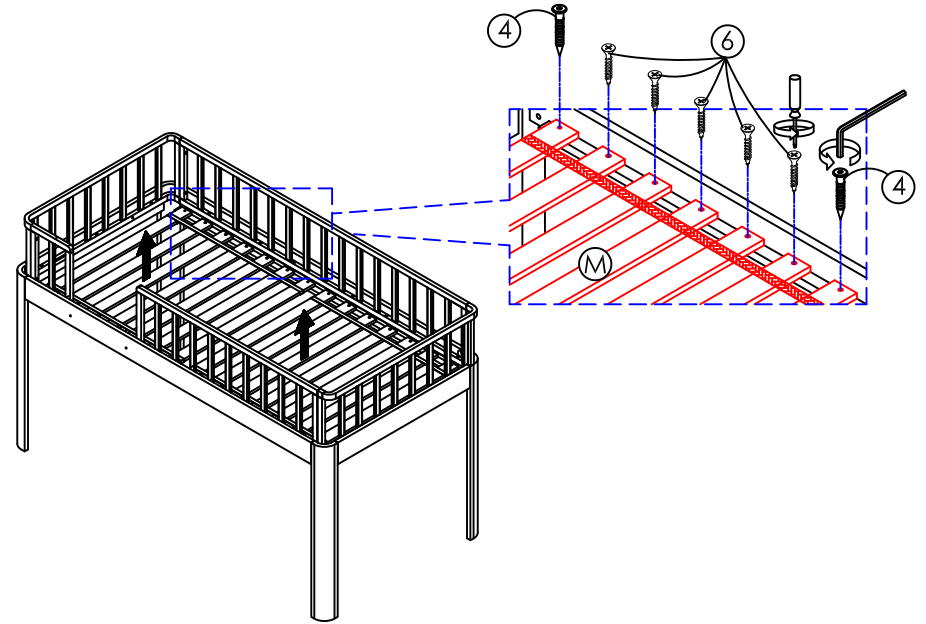


ASSEMBLY INSTRUCTIONS

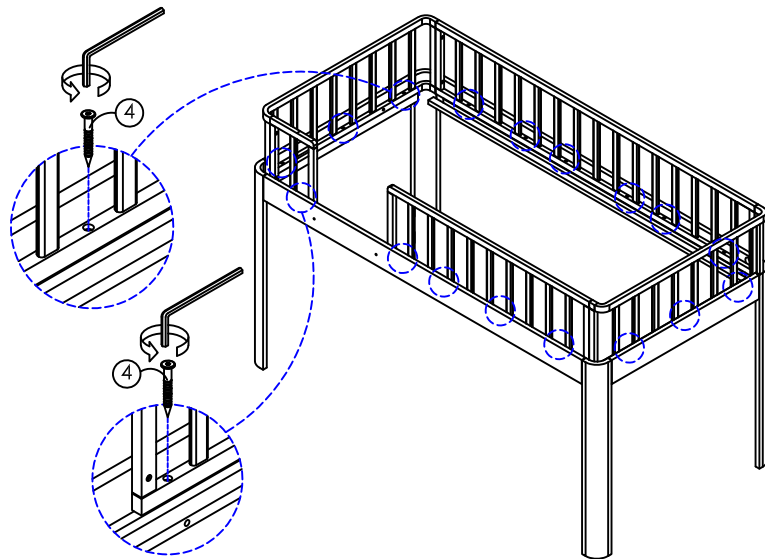
STEP 25 :
INSTRUCTION TO CHANGE THE KIDS LOFT TO TODDLER BED.



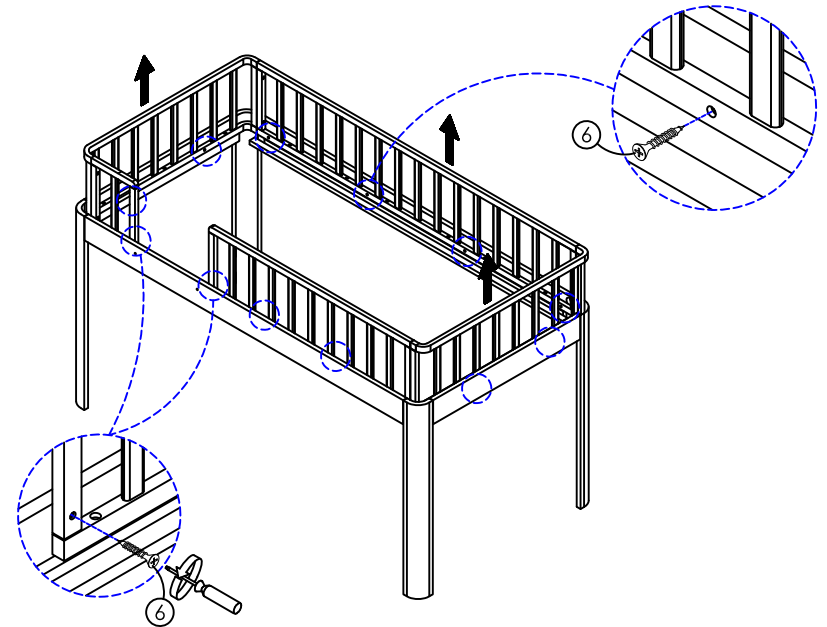
STEP 26 :



STEP 27 :

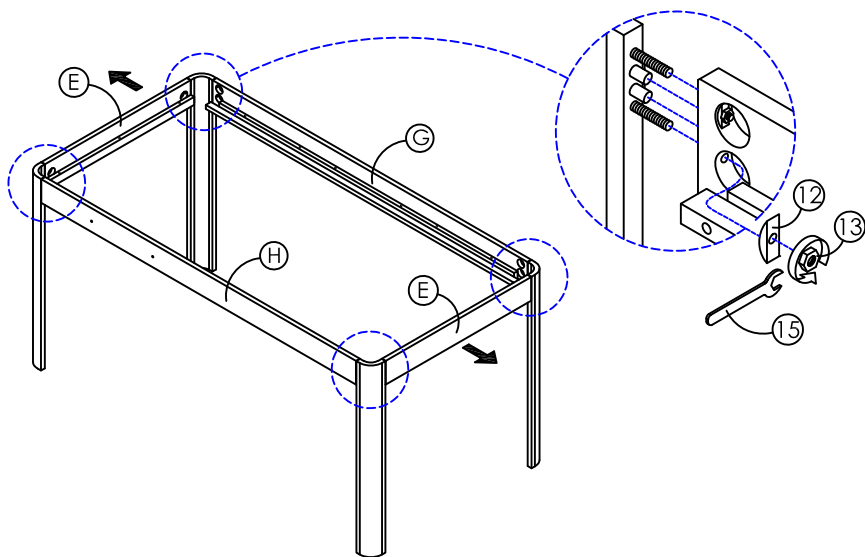


STEP 28 :

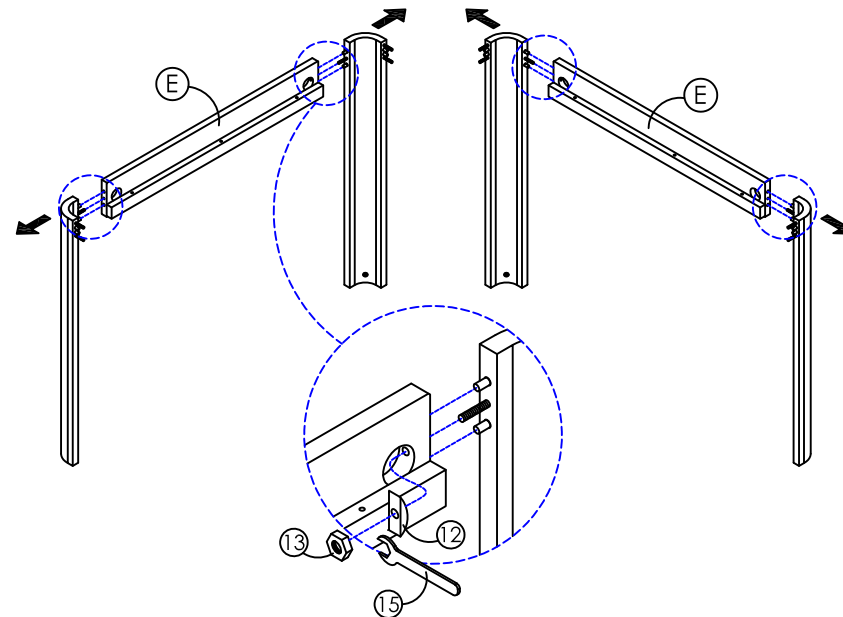


ASSEMBLY INSTRUCTIONS

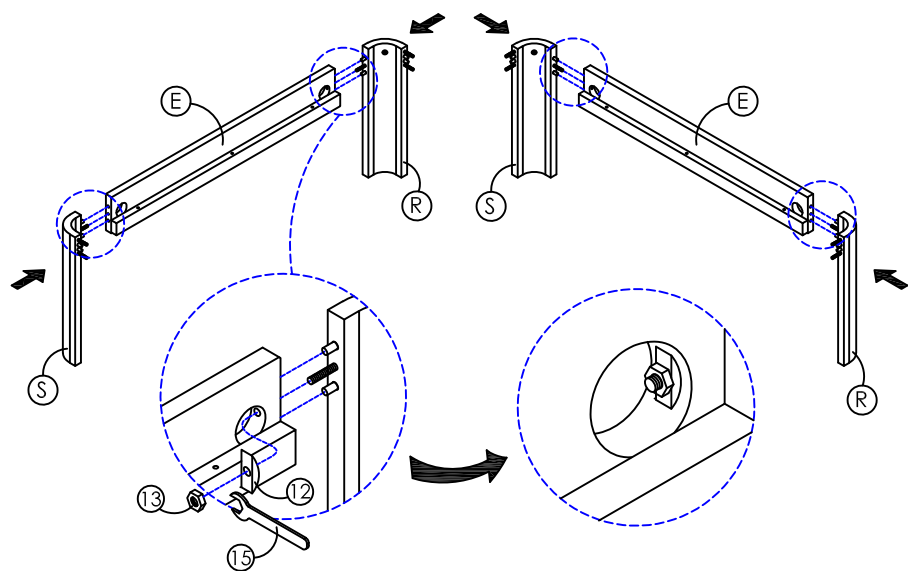
STEP 29 :



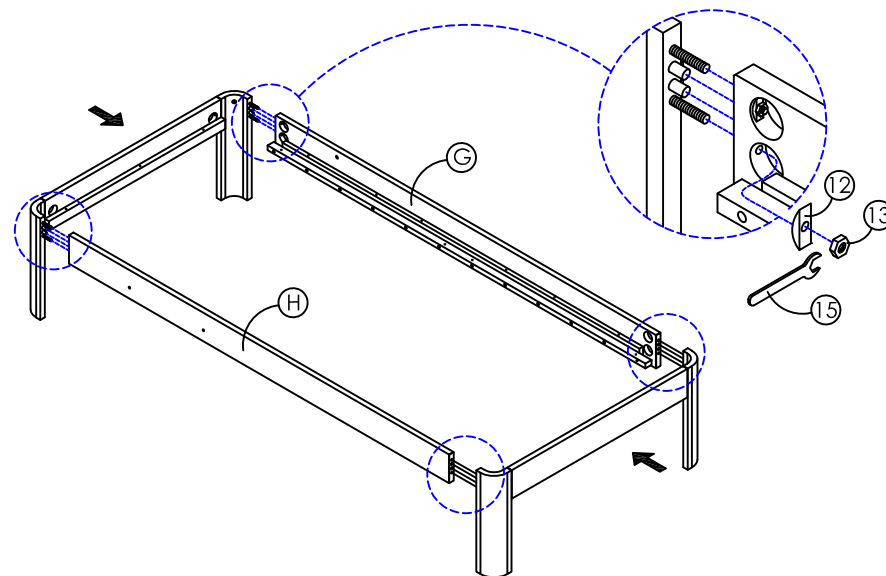
STEP 30 :



STEP 31 :

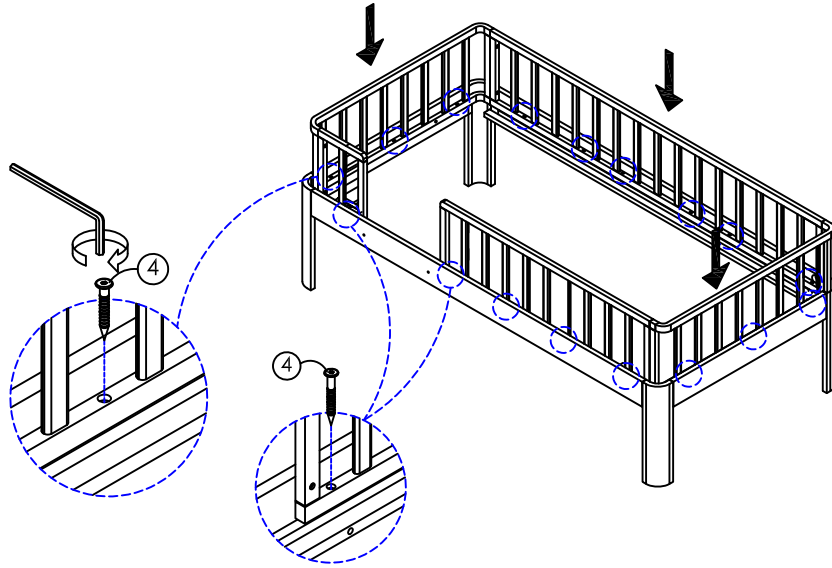


STEP 32 :

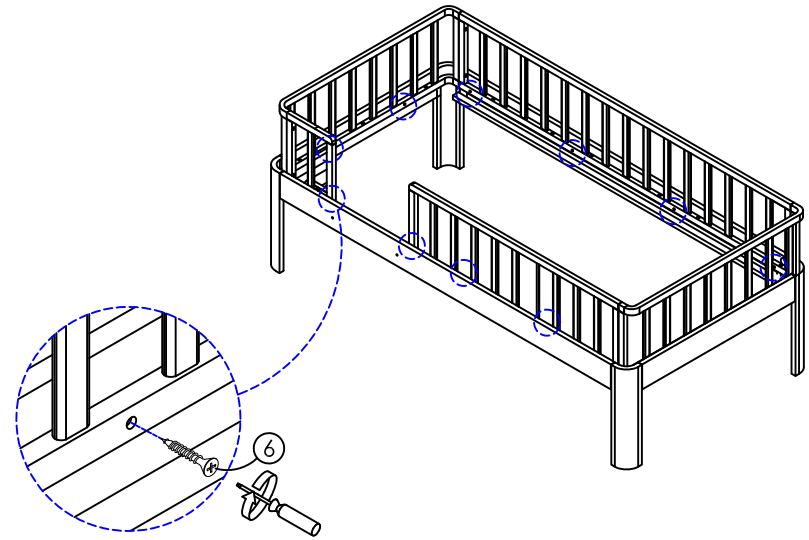


ASSEMBLY INSTRUCTIONS

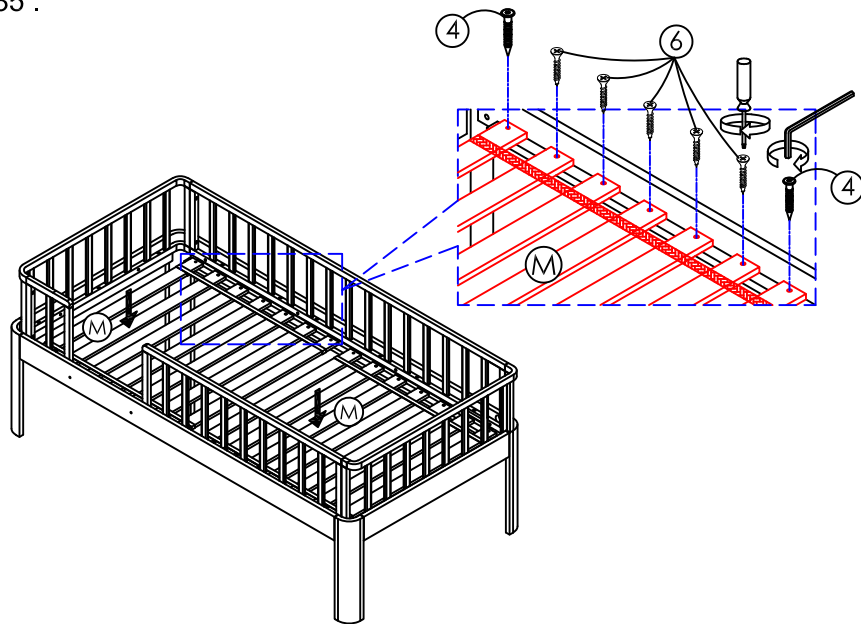
STEP 33 :



STEP 34 :

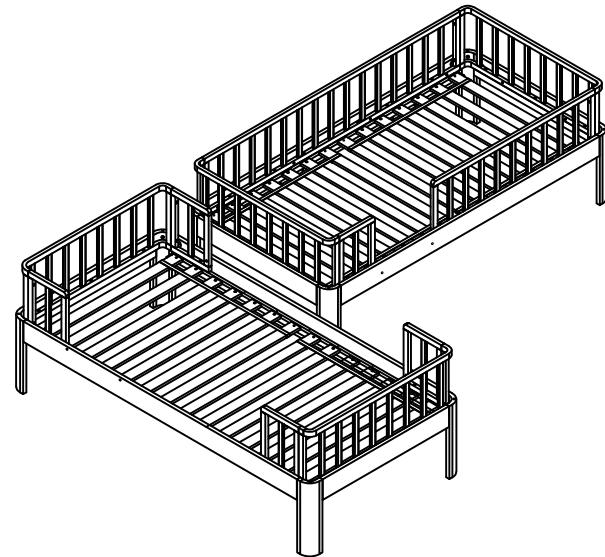


STEP 35 :



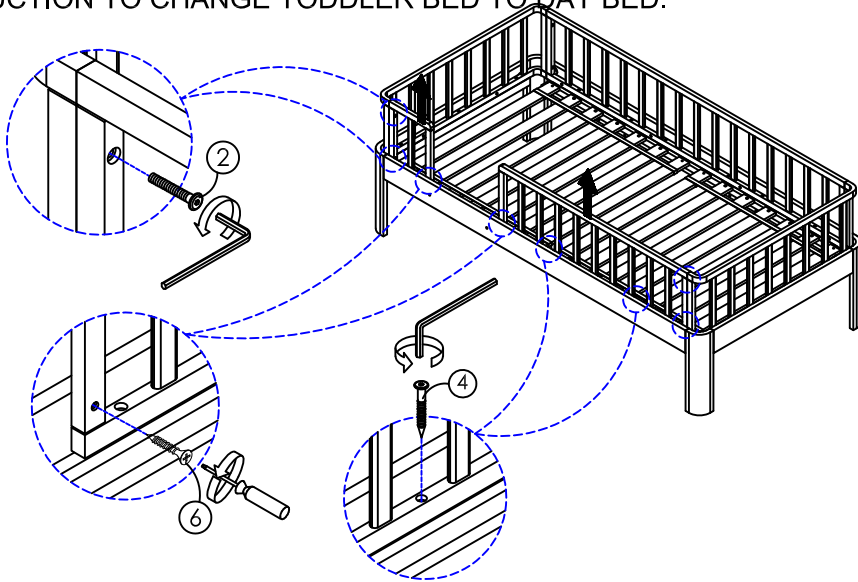
STEP 36 :

COMPLETE ASSEMBLY FOR TODDLER BED.

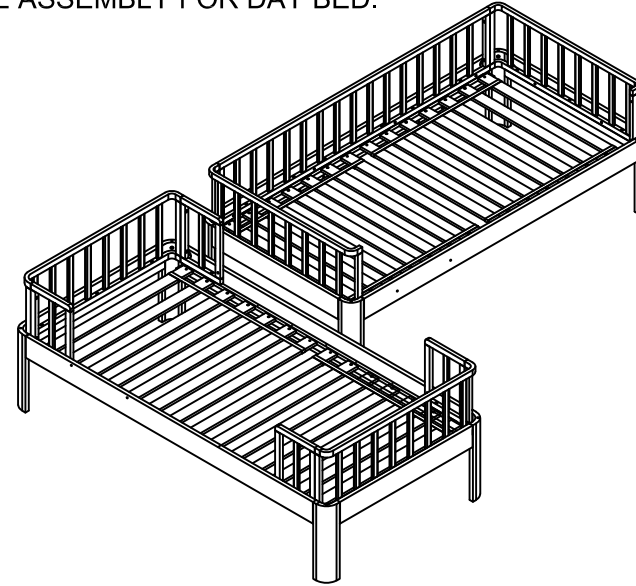


ASSEMBLY INSTRUCTIONS

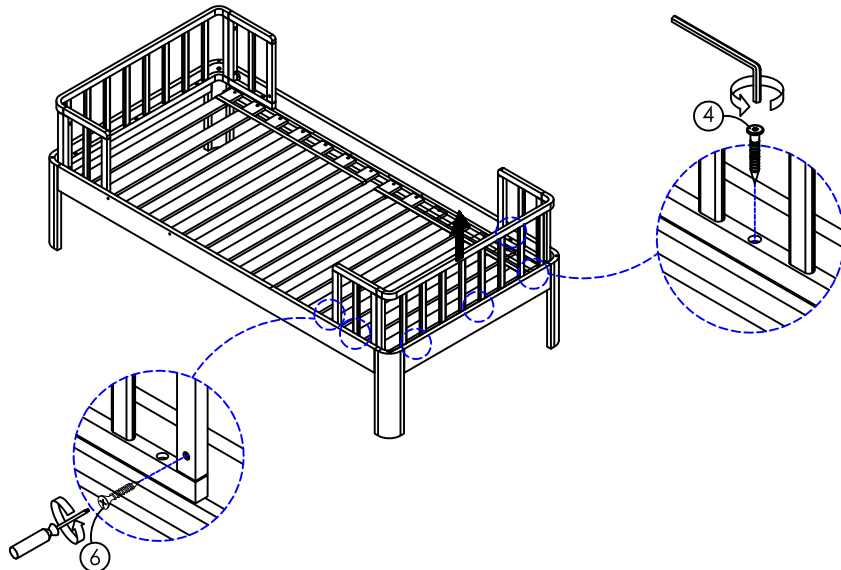
STEP 37 :
INSTRUCTION TO CHANGE TODDLER BED TO DAY BED.



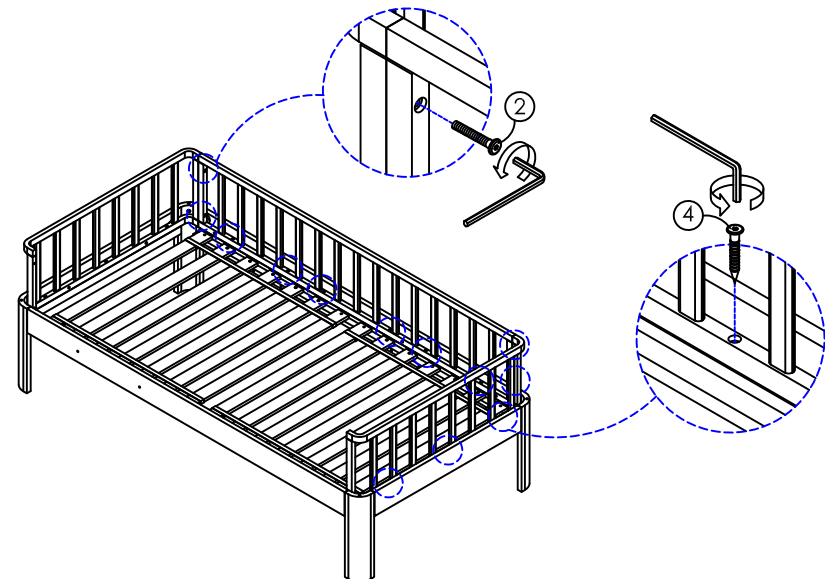
STEP 38 :
COMPLETE ASSEMBLY FOR DAY BED.



STEP 39 :
INSTRUCTION TO CHANGE THE DAY BED TO SINGLE BED.

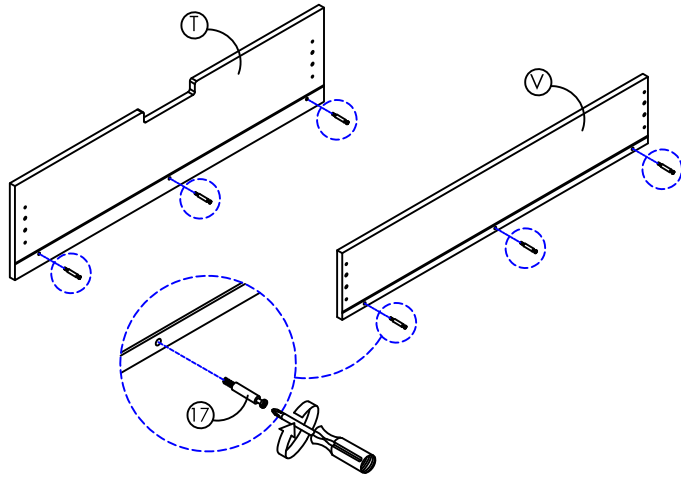


STEP 40 :

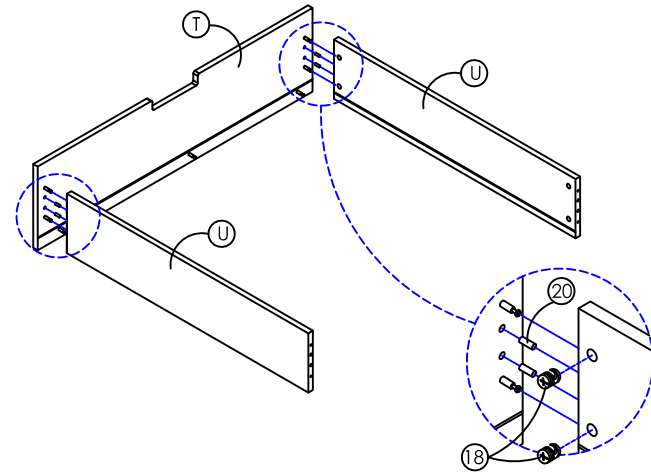


ASSEMBLY INSTRUCTIONS

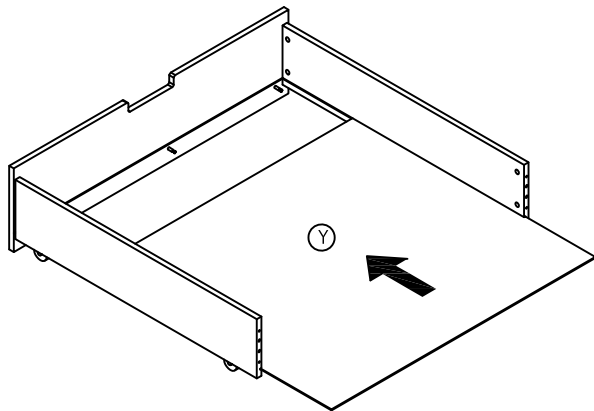
STEP 45 :



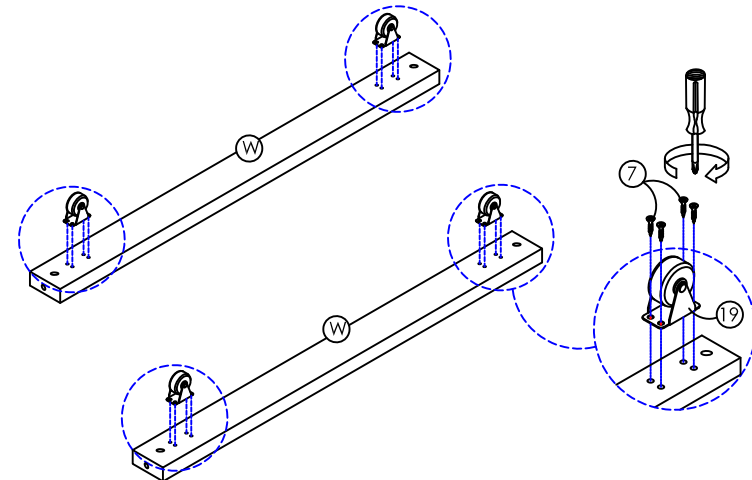
STEP 46 :



STEP 47 :

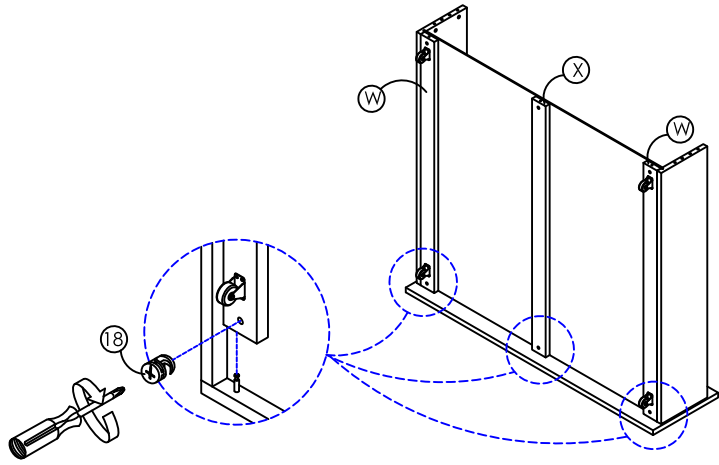


STEP 48 :

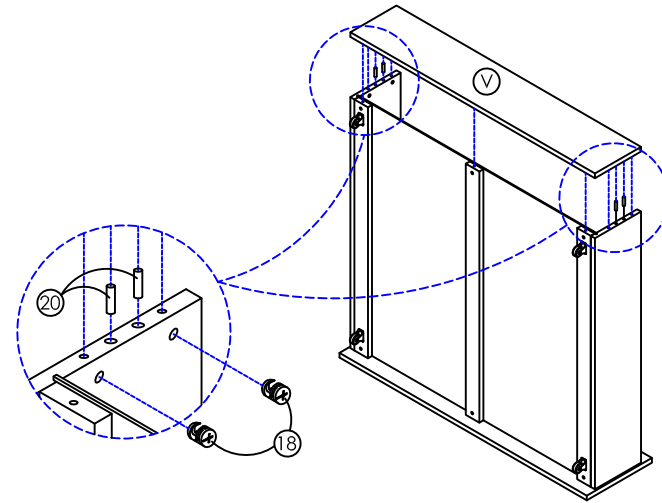


ASSEMBLY INSTRUCTIONS

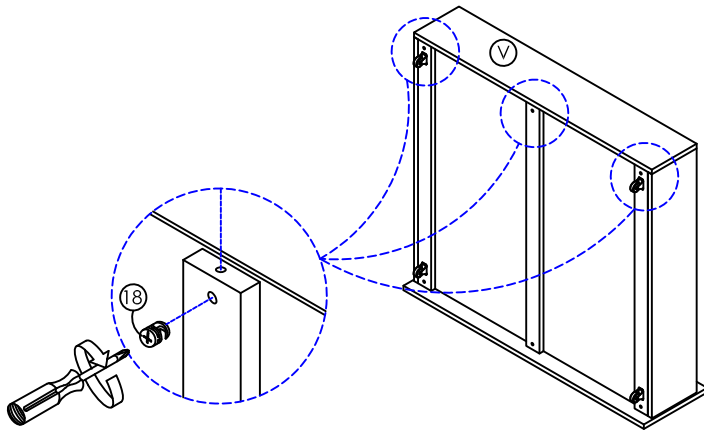
STEP 49 :



STEP 50 :



STEP 51 :



STEP 52 :
COMPLETE

