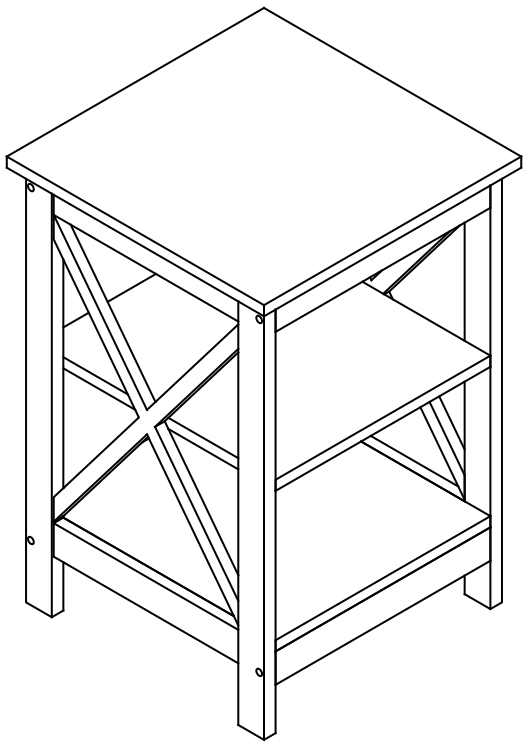


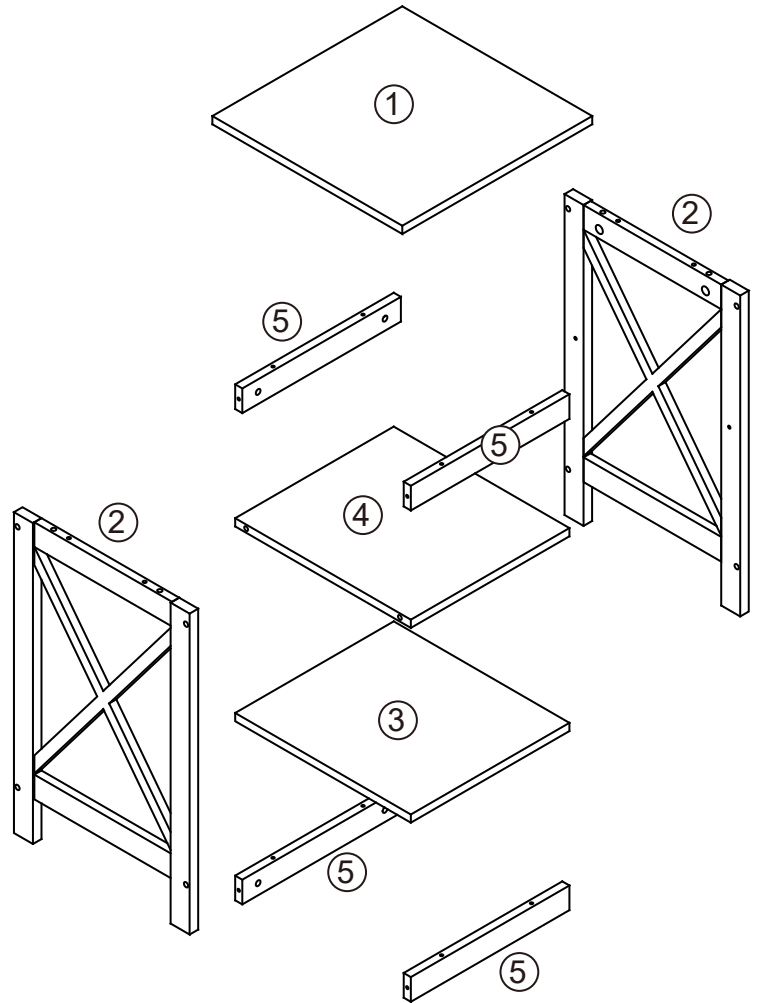
Read these instructions and follow steps carefully to ensure you assemble the product correctly and avoid damages. Check that all parts hardware have been provided before assembling the products. Place all contents on a clean, soft-flat surface to avoid scratching the product.

CAUTION:

Only tighten bolts to 80% at first. Once all parts have been assembled, fully tighten all hardware. To prevent damage to threads, do not use a power tool and do not over tighten bolts. Use two people to lift and turn the product when assembling. Do not attempt with only one person and do not roll on to legs. Keep all hardware and small parts away from children.

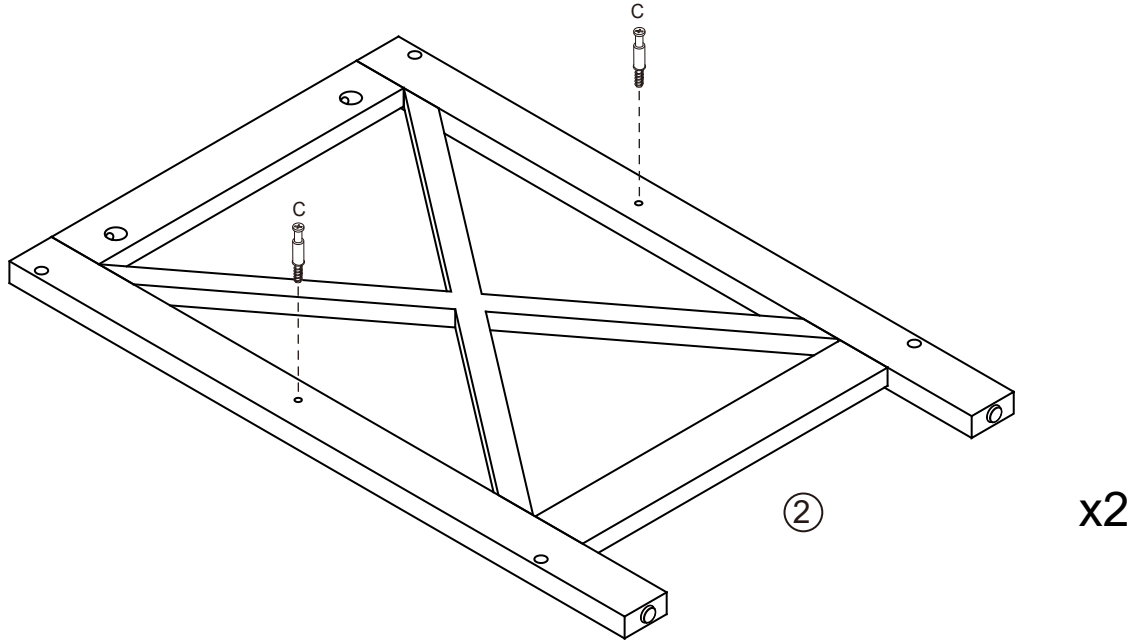


Do not stand on the product



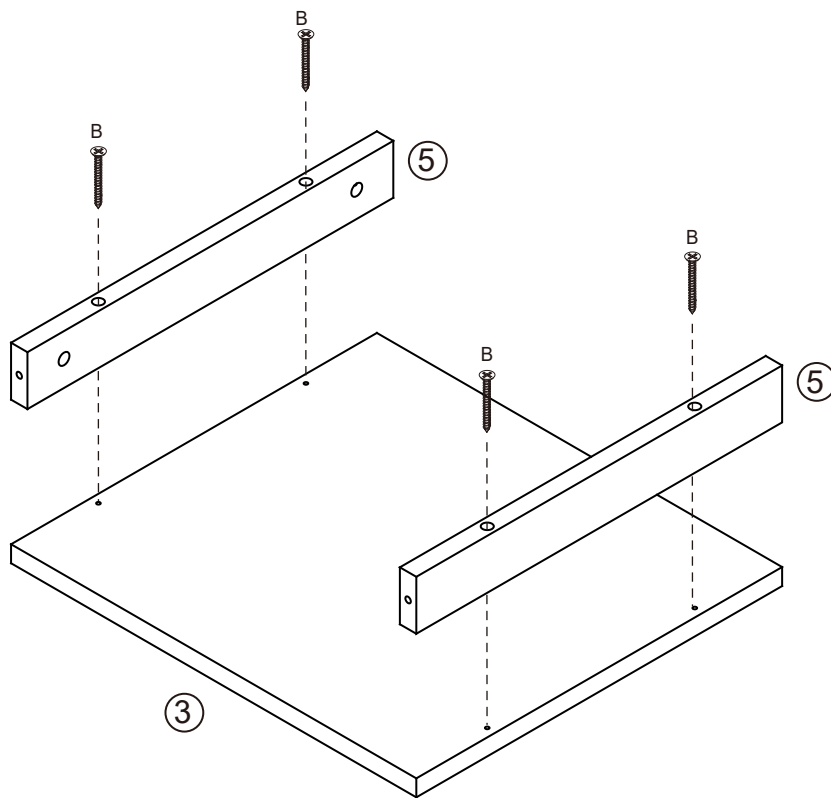
A	B	C	D	E	F	G
4 PCS	8 PCS	8 PCS	8 PCS	8 PCS	8 PCS	8 PCS
H	I	J	K	L		
1 PC	1 PC	1PC	1 PC	2 PCS		

Step 1:



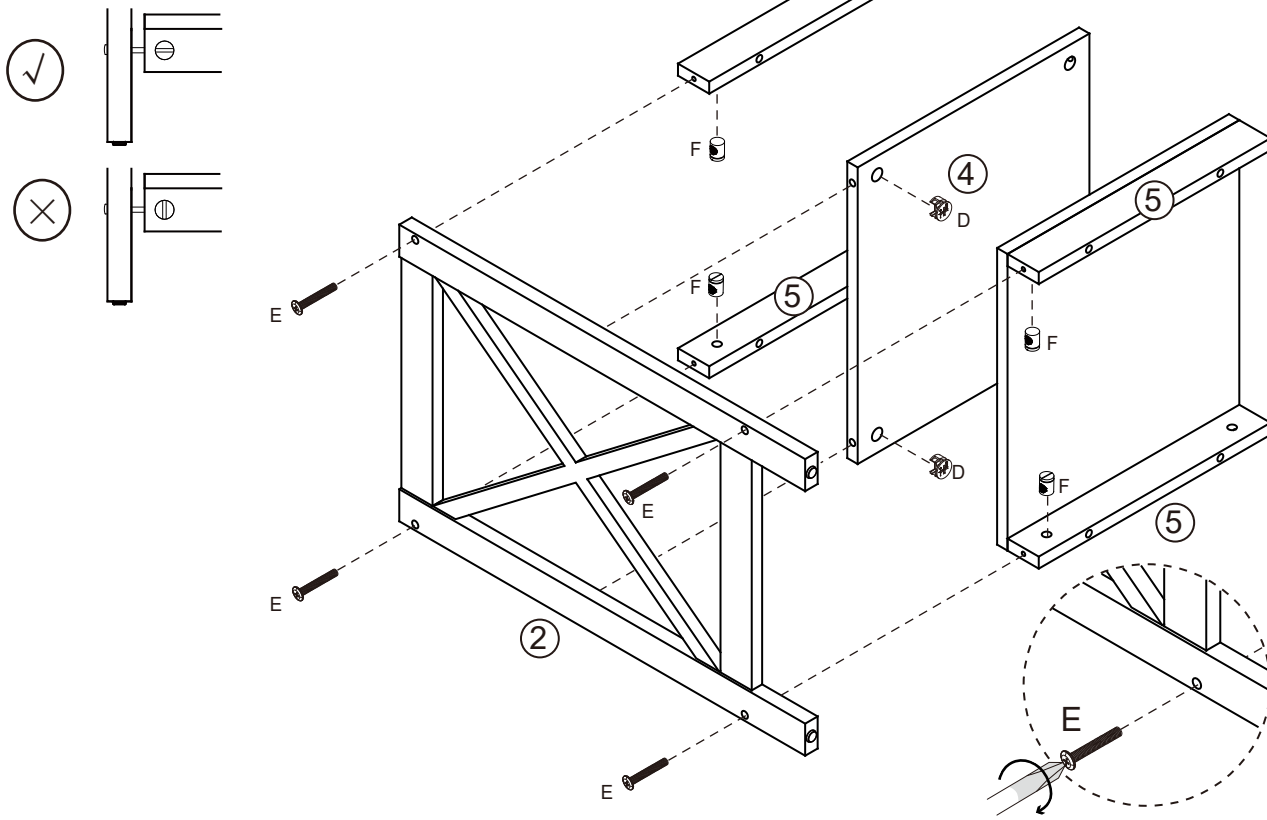
Attach 2 x Cam Bolts (C) to Side Panel (2) as shown. Tighten with a Phillips Head Screwdriver.

Step 2:



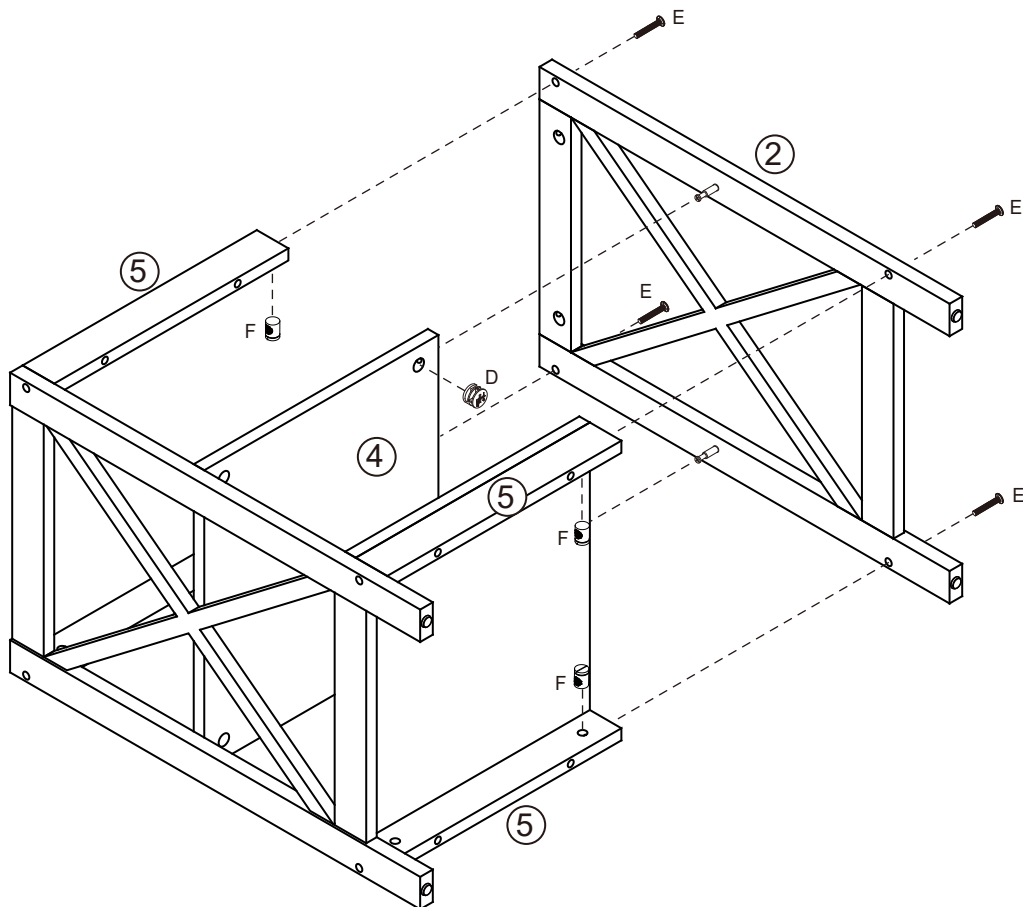
Attach 2 x Rails (5) to Panel (3) with 4 x screws (B). Tighten with a Phillips Head Screwdriver.

Step 3:



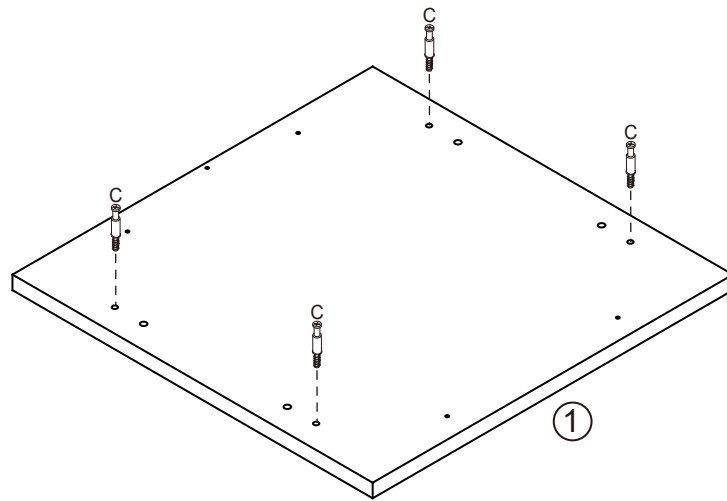
Push 4 x Bolts (E) through Side Panel (2) and insert 4 x Nuts (F) and 2 x Cam Nuts (D) into Rails (5) and Shelf Panel (4). Rotate the nuts so the opening point towards the incoming bolts. Attach Side Panel (2) to Rails (5) and Shelf Panel (4) by tightening all nuts with the Phillips Head Screwdriver.

Step 4:



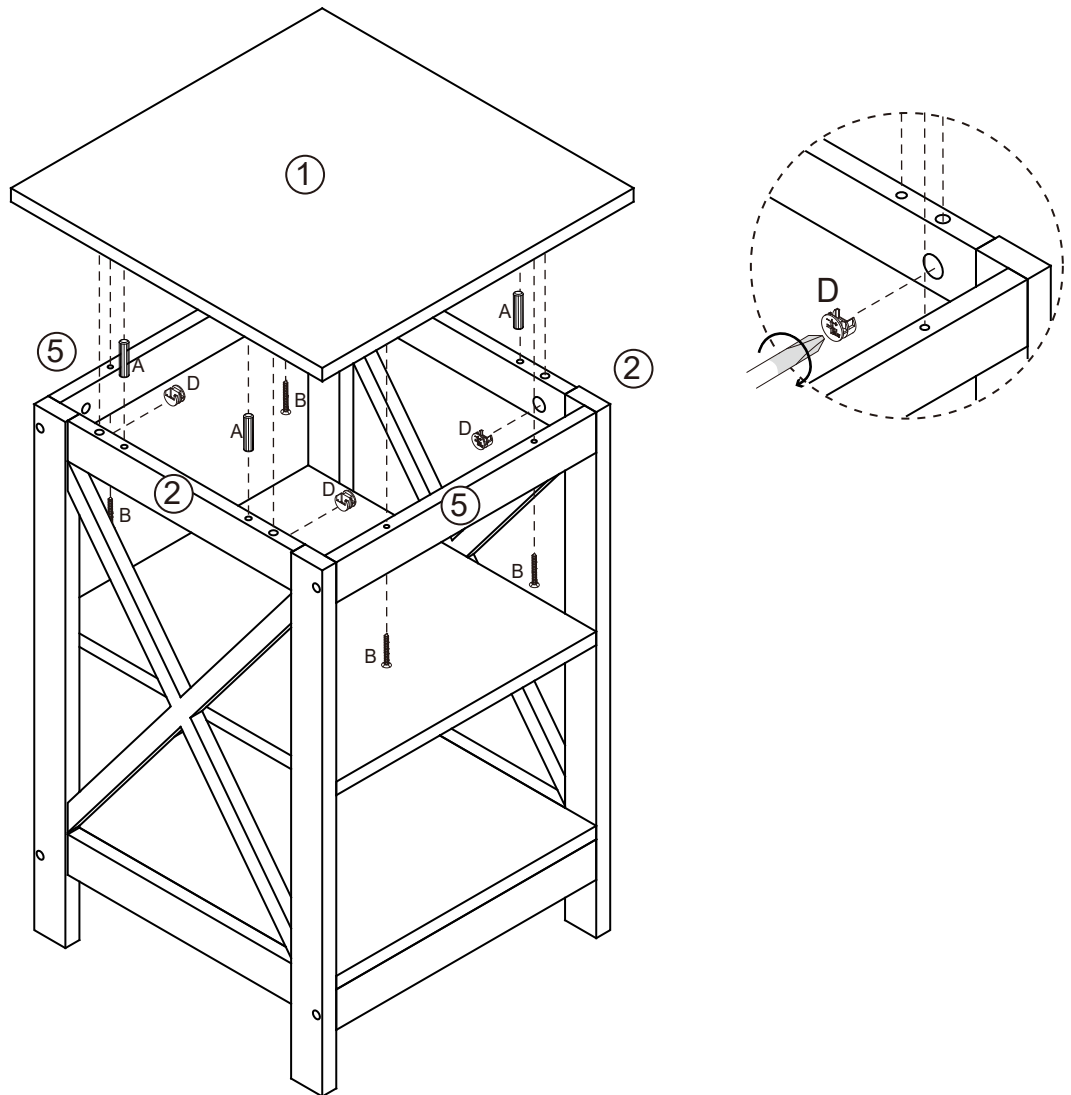
Push 4 x Bolts (E) through Side Panel (2) and insert 4 x Nuts (F) and 2 x Cam Nuts (D) into Rails (5) and Shelf Panel (4). Rotate the nuts so the opening point towards the incoming bolts. Attach Side Panel (2) to Rails (5) and Shelf Panel (4) by tightening all nuts with the Phillips Head Screwdriver.

Step 5:



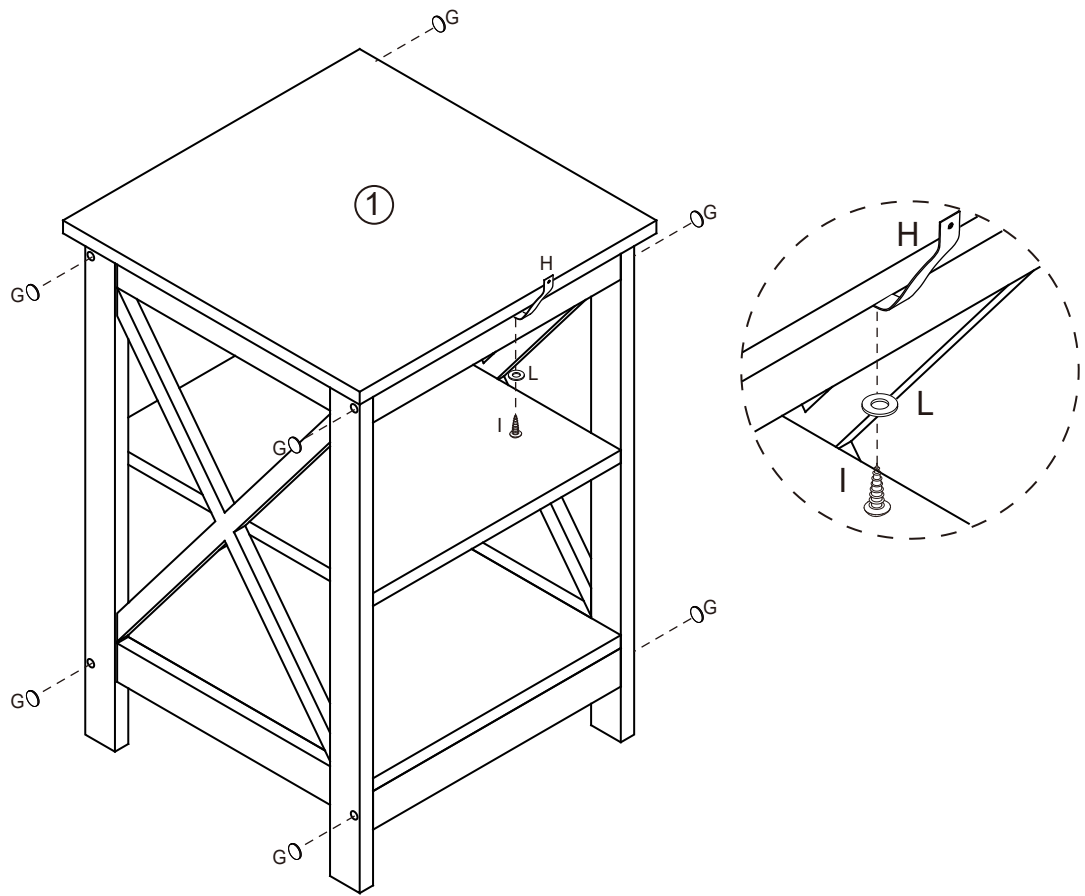
Attach 4 x Cam Bolts (C) to Top Panel (1) as shown. Tighten with a Phillips Head Screwdriver.

Step 6:



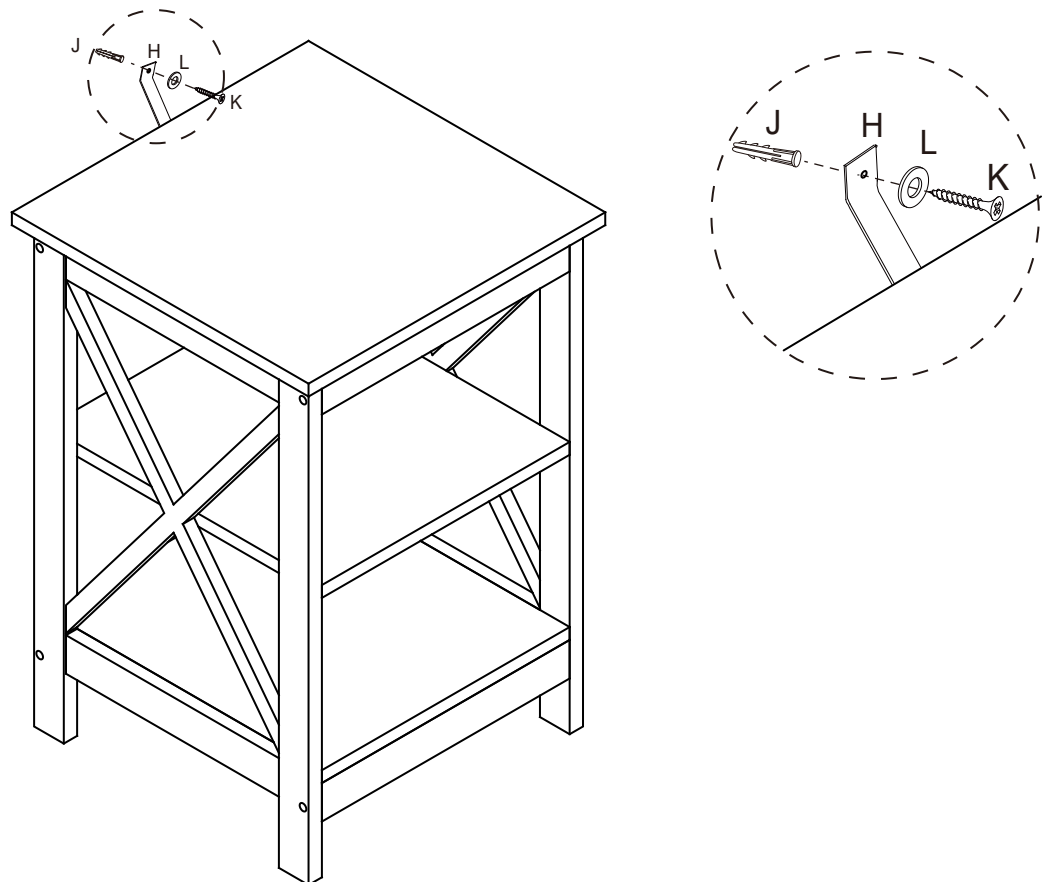
Insert 4 x Dowels (A) and 4 x Cam Nuts (D) into the holes of Side Panels (2). Rotate the cam nuts so the arrows point towards the incoming cam bolts. Attach Top Panel (1) into place and tighten the cam nuts. Attach Top Panel (1) to Rais (5) with 4 x screws (B) as shown. Tighten with a Phillips Head Screwdriver.

Step 7:



Attach 8 x Hole Stickers (G) to Side Panels (2) as shown. Attach 1 x safety strap (H) to the Top Panel (1) as shown using 1 x washer (L) and 1 x screw (I). Tighten with the Phillips Head Screwdriver.

Step 8:



Move the unit to the final position. Fasten the safety strap to your wall using appropriate fixings for your wall type. If you are unsure, please seek professional advice on how to attach this safety strap to your specific wall.



WARNING

It is STRONGLY RECOMMENDED that you ANCHOR this product.

Toppling furniture can cause serious injuries and death.

This product has been provided with an anchor strap. To prevent your furniture from tipping forward it is strongly recommended that you securely attach this product to a wall or other solid surface, using the anchor strap provided and appropriate fixings.

IMPORTANT:

Regularly check that anchors are securely maintained.

Stability of tall items may be affected by thick pile carpet or uneven floors.

CAUTION:

- For your safety when attaching the anchor fixings, please note the following:
Check for any electrical wires or plumbing inside the wall before drilling any holes (if you are unsure please seek professional advice from a qualified tradesperson)
- Walls are constructed from different materials, for example, masonry (solid brick) or plasterboard lined cavity walls (hollow). It is important that you use the appropriate wall fixings for your wall type.
- Your local hardware store will have the necessary drills and fixings and can offer advice if needed. If in doubt, engage the services of a qualified tradesperson to install and anchor the product.