

TEMPLE & WEBSTER

ASSEMBLY INSTRUCTIONS

VICATST






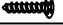

Read these instructions and follow steps carefully to ensure you assemble the product correctly and avoid damages. Check that all parts and hardware have been provided before assembling the product. Place all contents on a clean, soft-flat surface to avoid scratching the product.

⚠ CAUTION:

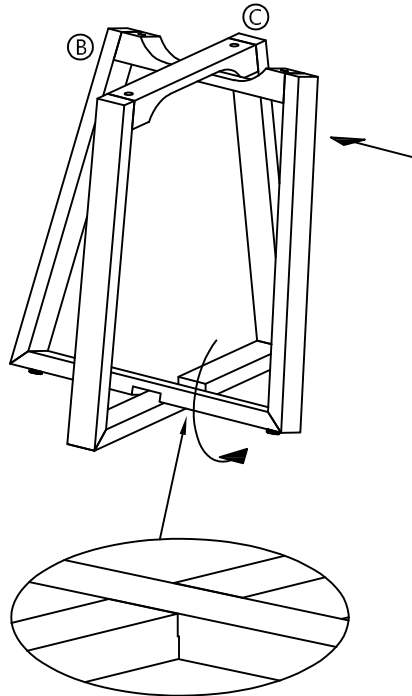
Only tighten bolts to 80% at first. Once all parts have been assembled, fully tighten all hardware. To prevent damage to threads, do not use a power tool and do not over tighten bolts. Use two people to lift and turn the product when assembling. Do not attempt with only one person and do not roll onto legs. Keep all hardware and small parts away from children.



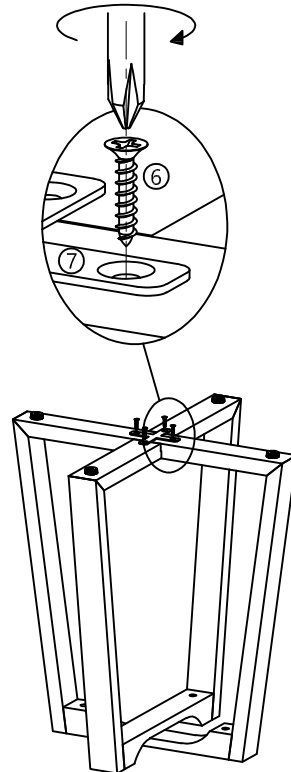
PART LIST		
ITEM	DESCRIPTION	QTY
A	TOP	1PC
B	LEG FRAME 1	1PC
C	LEG FRAME 2	1PC

HARDWARE LIST		
ITEM	DESCRIPTION	QTY
1	BOLT M6 x 50mm 	4PCS
2	SPRING WASHER Ø12mm 	4PCS
3	FLAT WASHER Ø16mm 	4PCS
4	ALLEN KEY M4 	1PC
5	PLASTIC WASHER Ø15mm 	4PCS
6	SCREW Ø3.5 x 20mm 	4PCS
7	BRACKET 	1PC

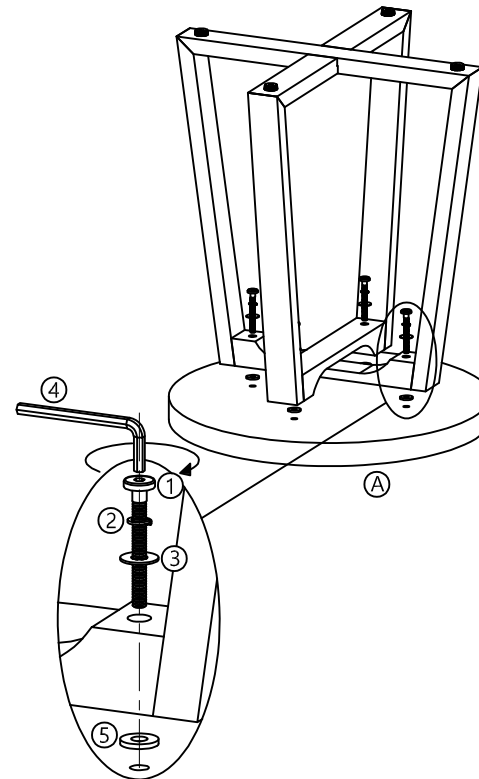
STEP 1:



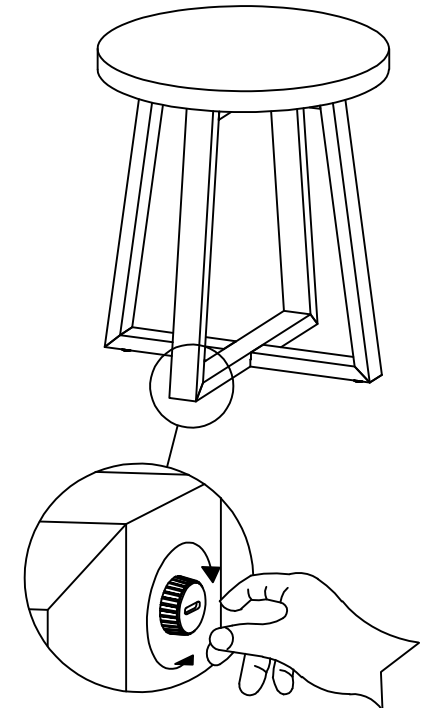
STEP 2:



STEP 3:



STEP 4:



COMPLETED SIDE TABLE ASSEMBLY