

TEMPLE & WEBSTER

ASSEMBLY INSTRUCTIONS BZBOCBKV

"Read these instructions and follow steps carefully to ensure you assemble the product correctly and avoid damages. Check that all parts hardware have been provide before assembling the products. Place all contents on a clean, soft-flat surface to avoid scratching the product."

CAUTION:







Only tighten bolts to 80% at first. Once all parts have been assembled, fully tighten all hardware.
To prevent damage to threads, do not use a power tool and do not overtighten bolts.
Use two people lift and turn the product when assembling.
Do not attempt with only one person and do not roll onto legs.
Keep all hardware and small parts away from children.



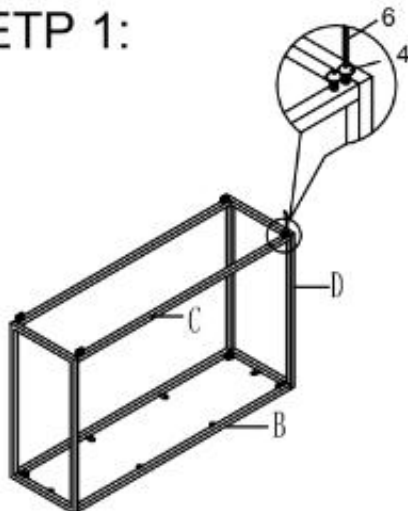
PART LIST

ITEM	DESCRIPTION	QTY
A	TABLE TOP	1PC
B	METAL TUBE	2PCS
C	METAL TUBE	2PCS
D	METAL FRAME	2PCS

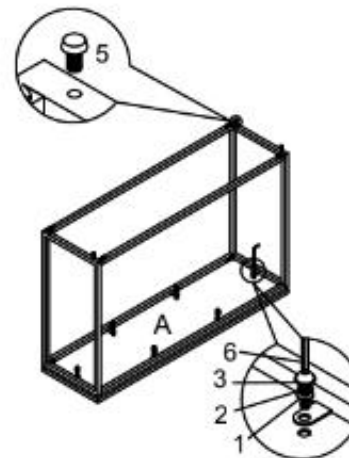
HARDWARE LIST

ITEM	DESCRIPTION	QTY
1	WASHER $\varnothing 16 \times M6 \times 1.5$ 	6PCS
2	SPRING WASHER 	6PCS
3	JSBC SCREW M6x15 	6PCS
4	JSBC SCREW M6x12 	16PCS
5	Bolt 	4PCS
6	ALLEN KEY 	1PC

STEP 1:



STEP 2:



STEP 3:

