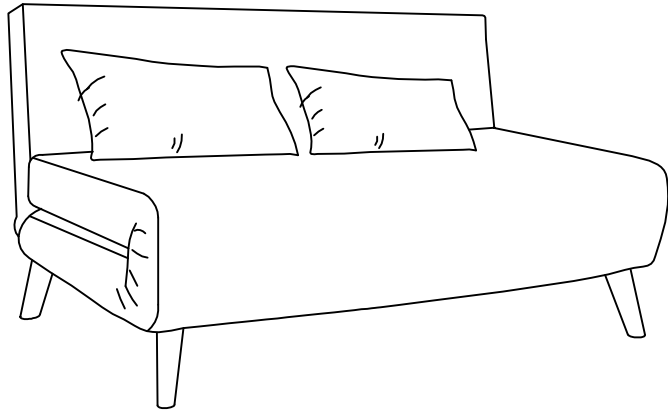


ASSEMBLY INSTRUCTION

MCAEDBNT /MCDSBCHF

TEMPLE &
WEBSTER

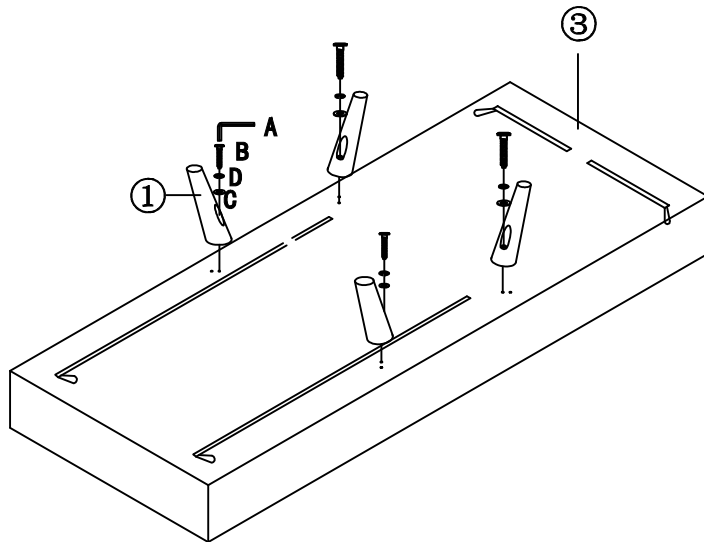
www.templeandwebster.com.au



ASSEMBLY INSTRUCTIONS



Step 1

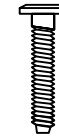


PARTS AND HARDWARE

Note: Individual parts are not shown to scale.



5*25*66mm
A×1



Ø8*65mm
B×4



Ø8*17mm
C×4



M8
D×4



① 4pcs

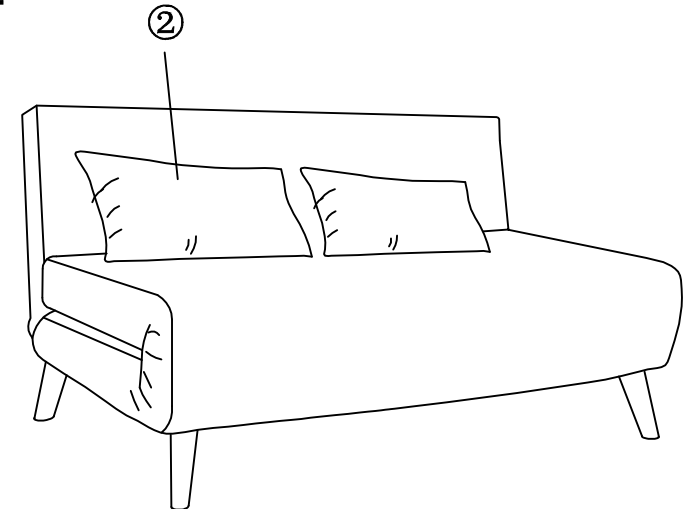


② 2pcs



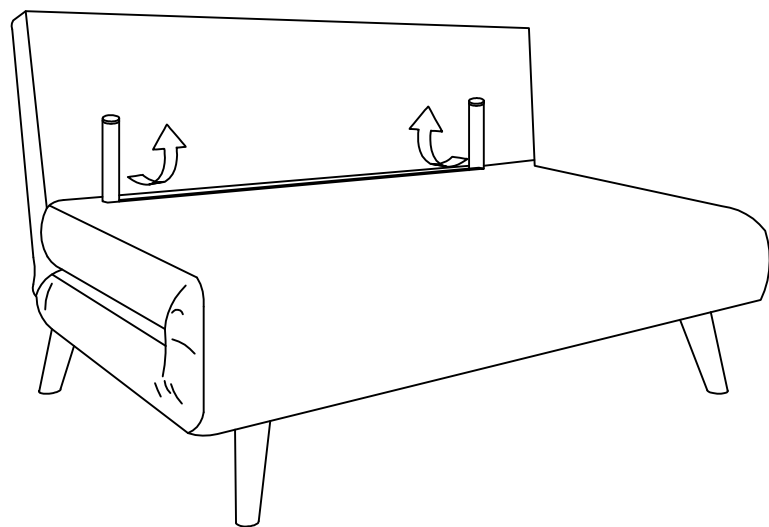
③ 1pcs

Step 2

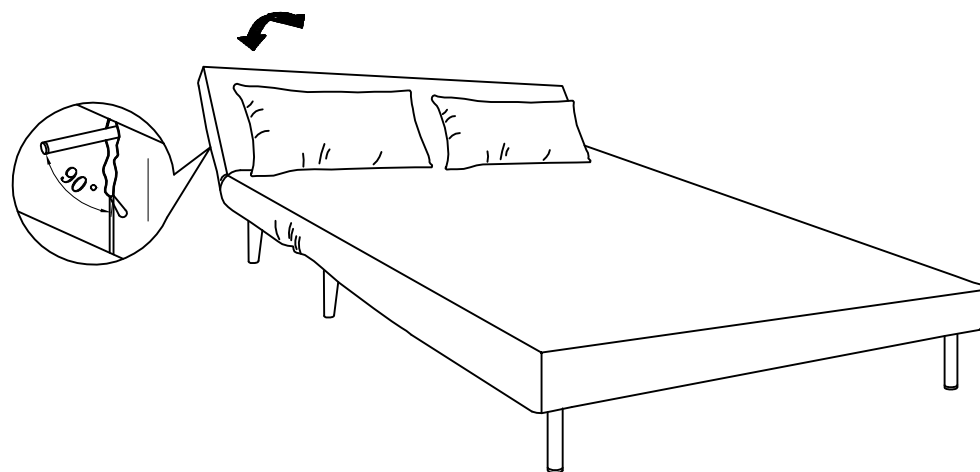


OPERATING YOUR UNIT

Step 3



Step 4



Step 5

