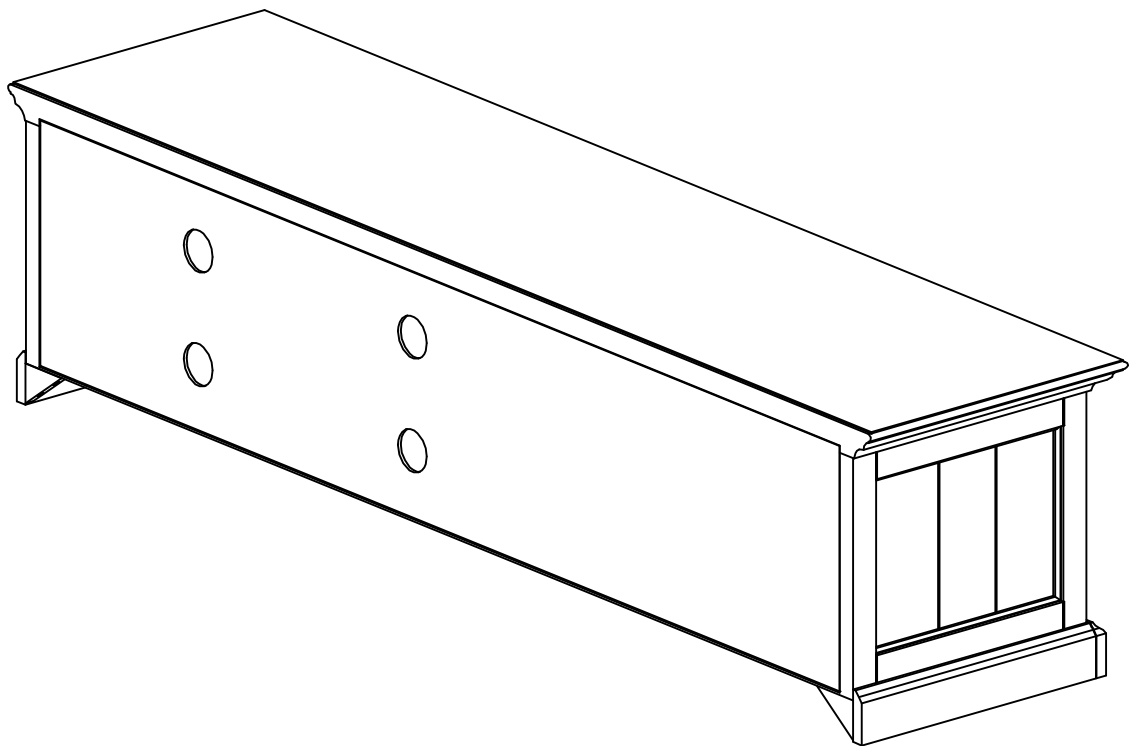
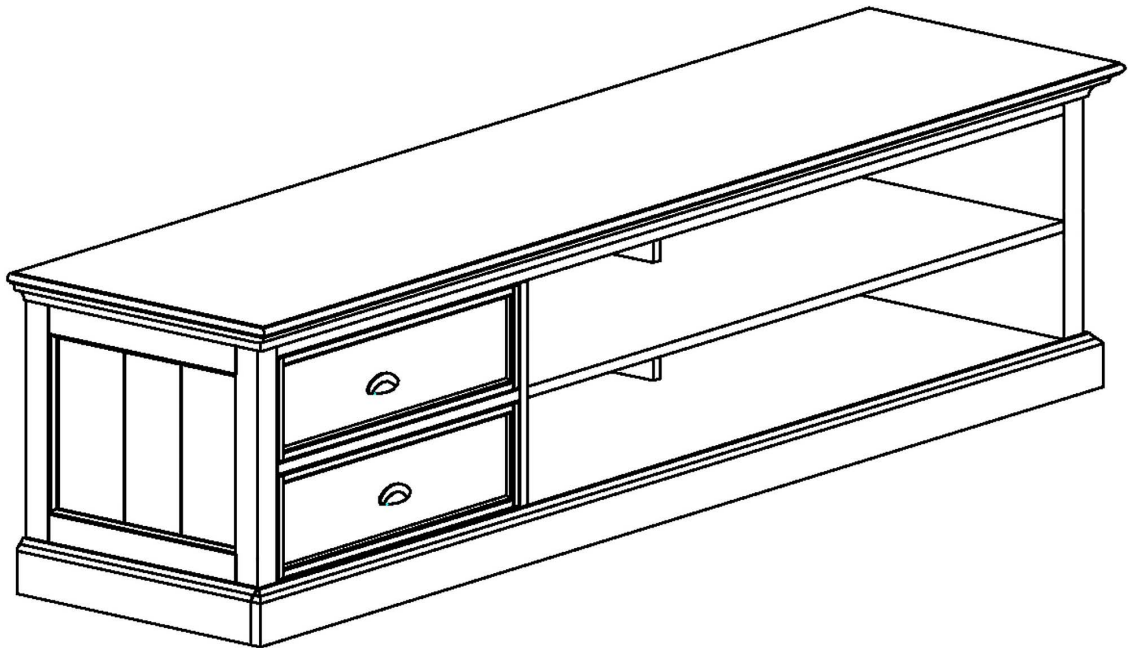
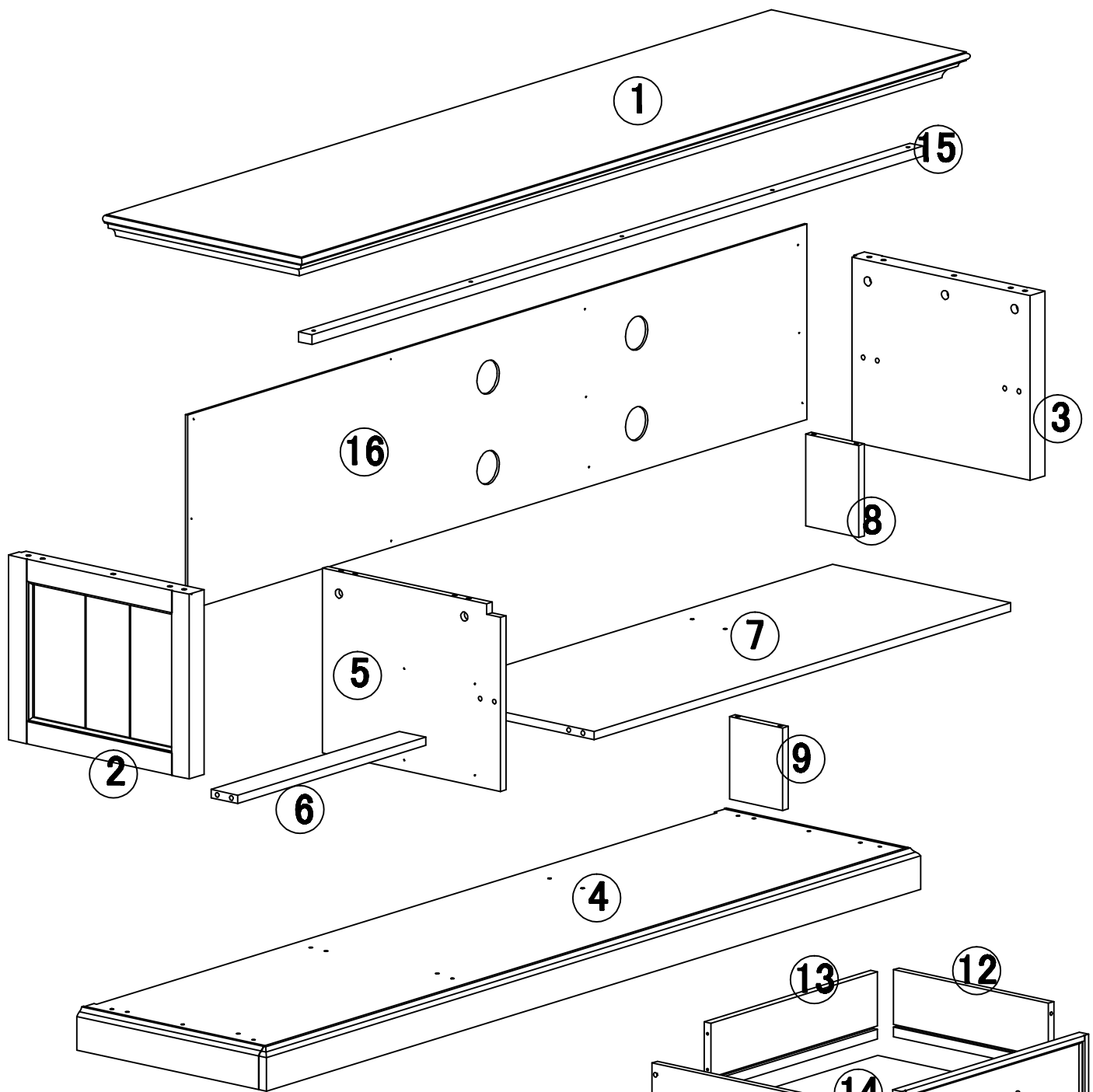
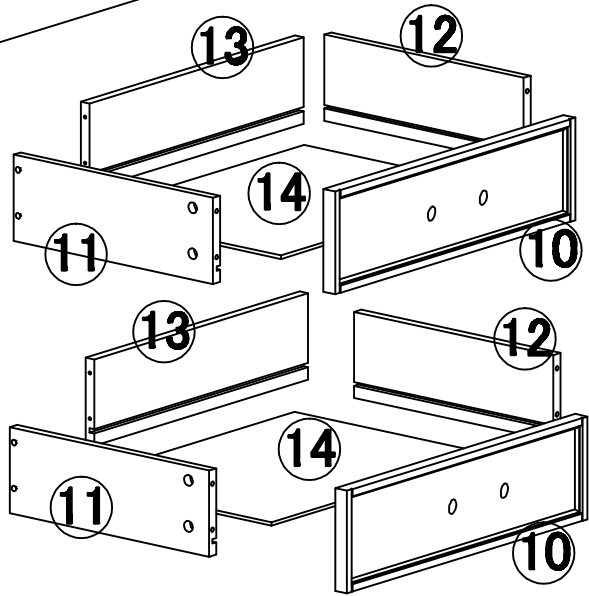
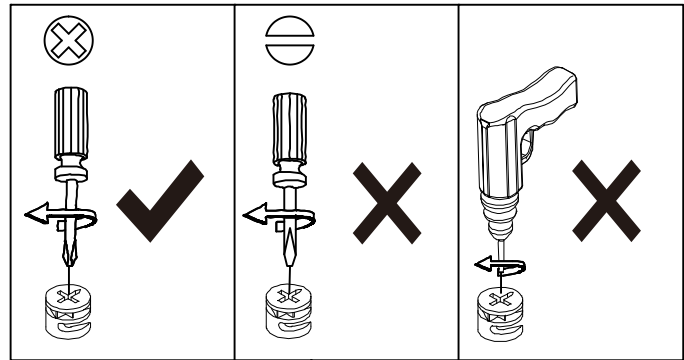


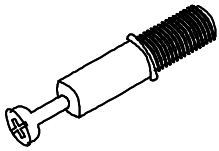
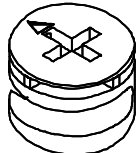
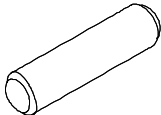
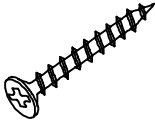

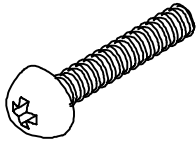
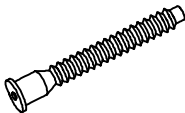
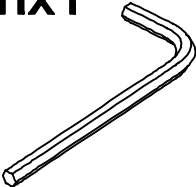
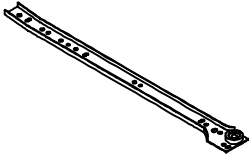
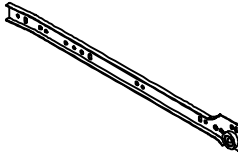
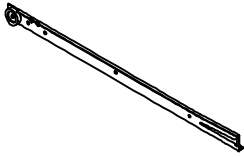
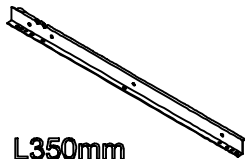


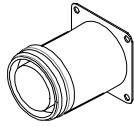
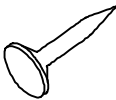
ASSEMBLY INSTRUCTION

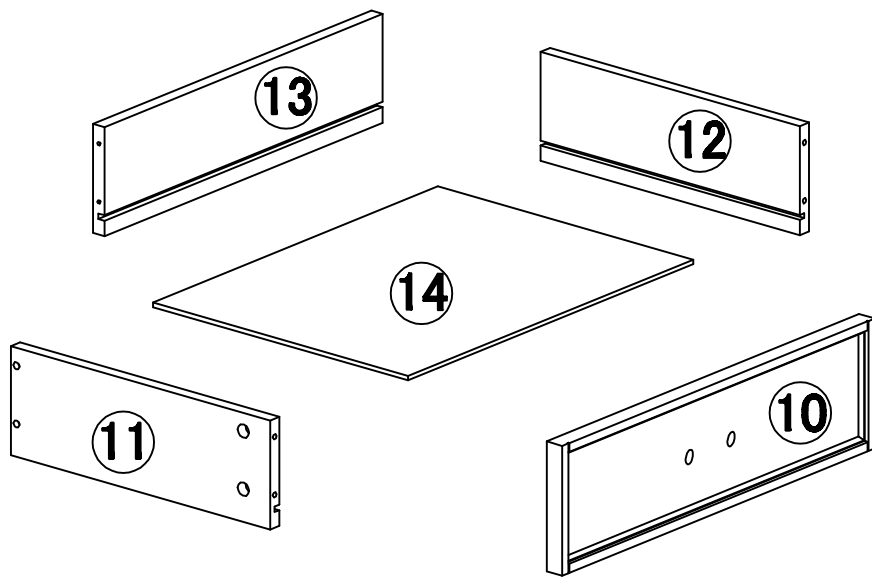
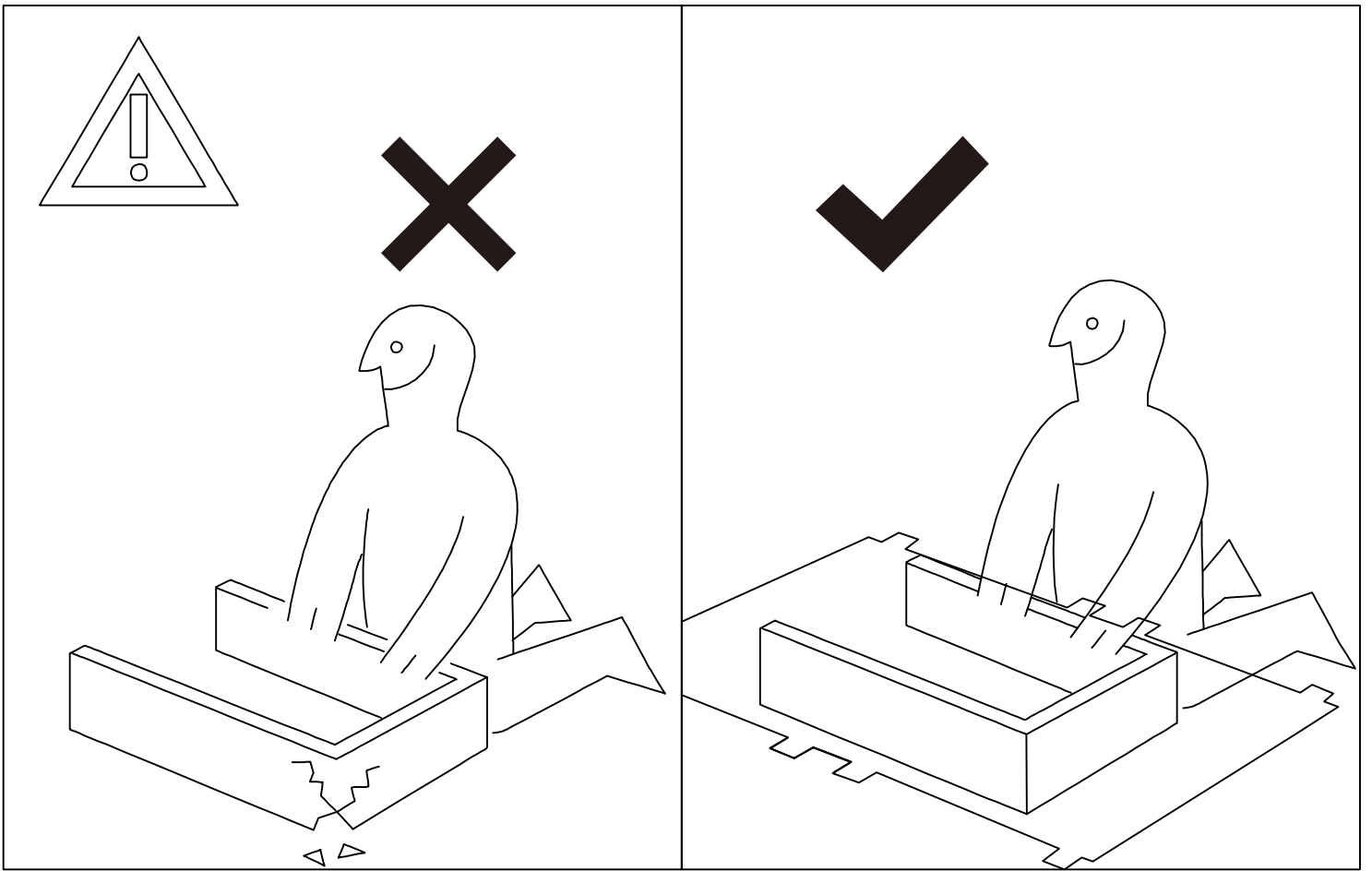




COLLI 1 OF 2 : 1, 4, 5, 6, 7, 15, 16
COLLI 2 OF 2 : 2, 3, 8, 9, 10, 11, 12, 13, 14, Fitting bag



<p>Ax22</p>  <p>Ø6x34mm</p>	<p>Bx22</p>  <p>Ø15x9mm</p>	<p>Cx30</p>  <p>Ø8x30mm</p>	<p>Dx13</p>  <p>Ø4.0x30mm</p>	<p>Ex28</p>  <p>Ø3.5x14mm</p>
<p>Fx4</p>  <p>Ø4x12mm</p>	<p>Gx8</p>  <p>Ø7x50mm</p>	<p>Hx1</p>  <p>M4</p>	<p>CLx2</p>  <p>L350mm</p>	<p>CRx2</p>  <p>L350mm</p>
<p>DLx2</p>  <p>L350mm</p>	<p>DRx2</p>  <p>L350mm</p>	<p>Jx22</p>  <p>Ø21mm</p>	<p>Kx2</p> 	<p>Lx2</p>  <p>Ø50x57mm</p>
<p>Mx18</p>  <p>Ø1x15mm</p>				



1

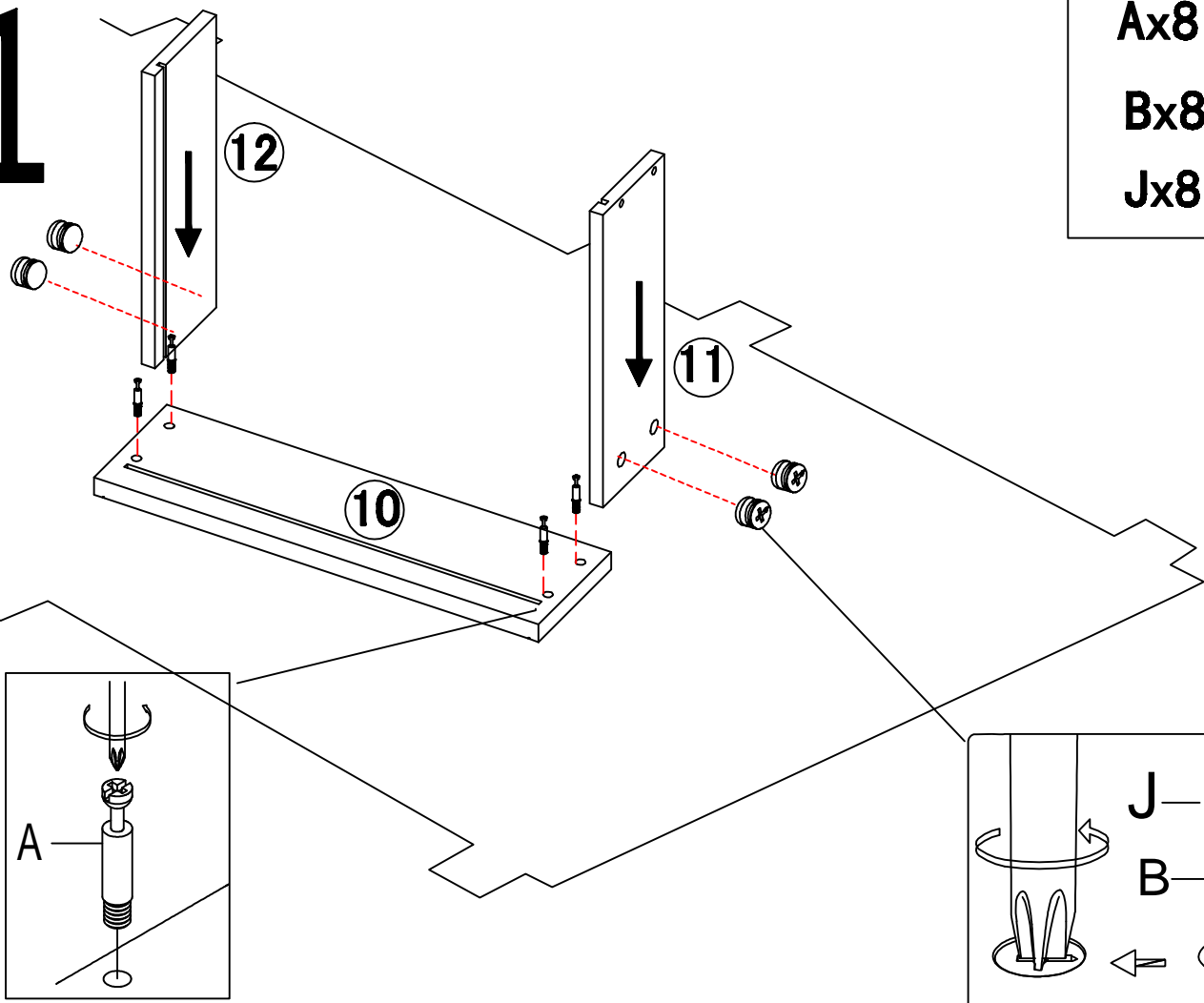
Ax8



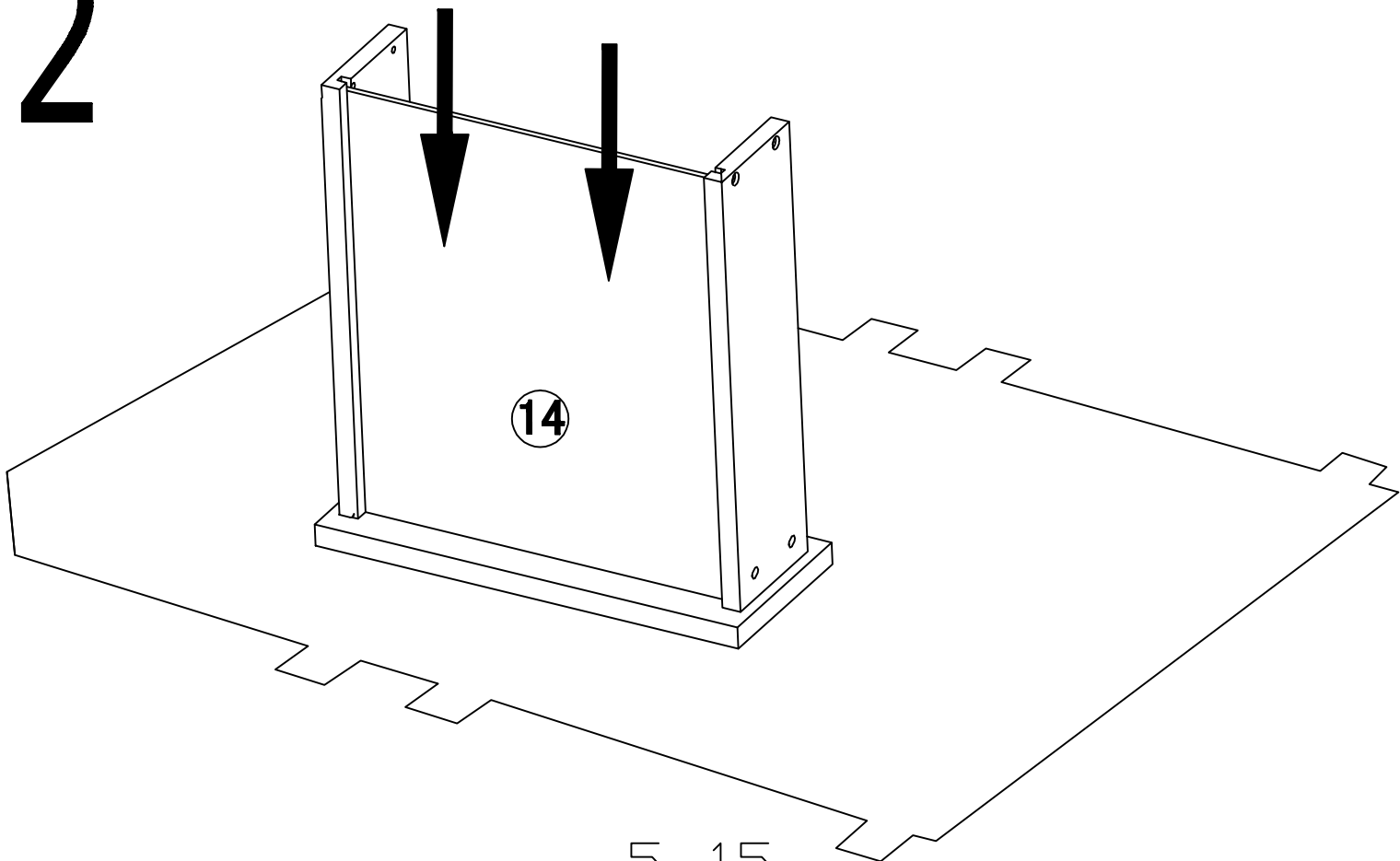
Bx8



Jx8

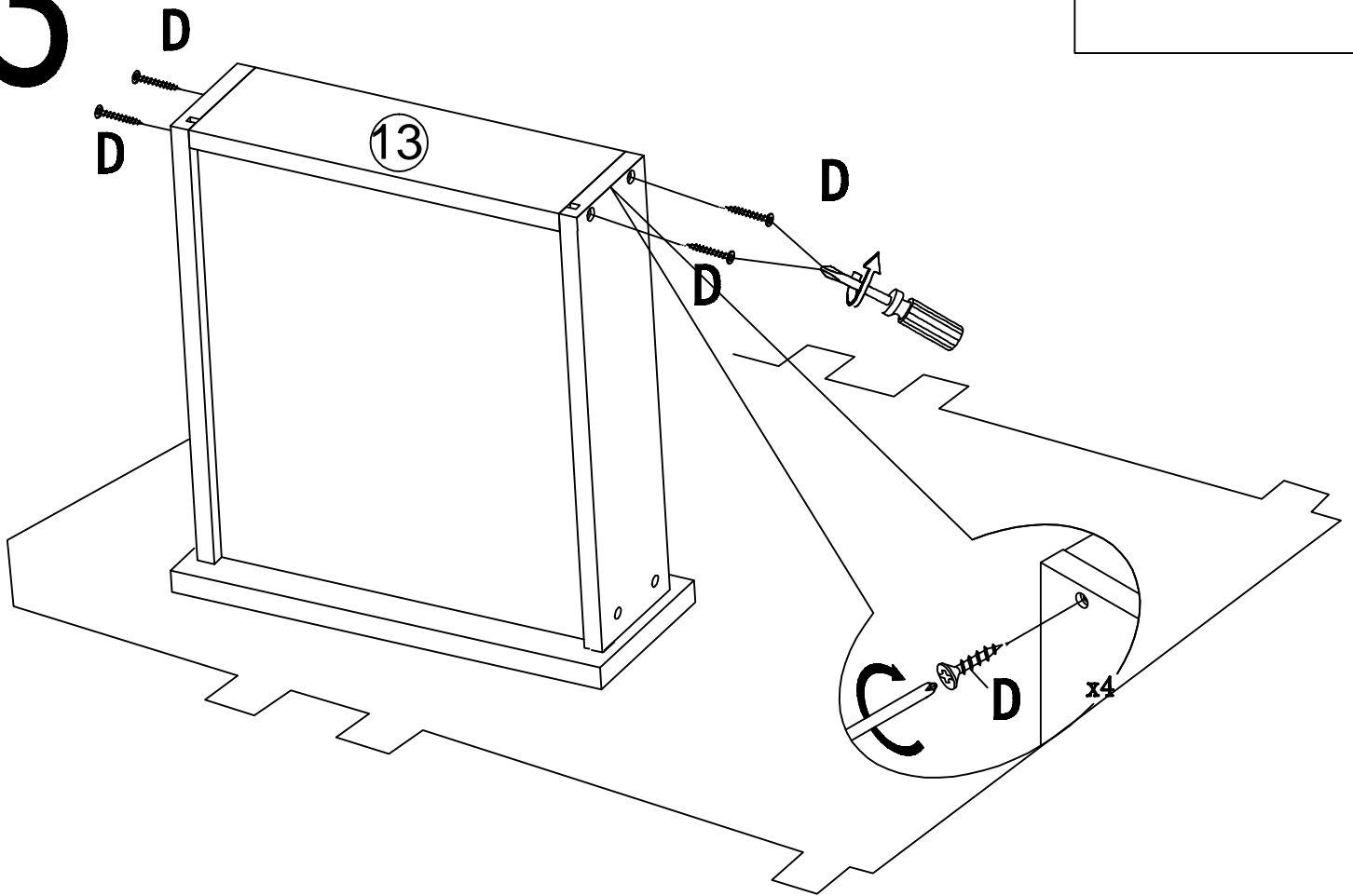


2



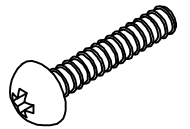
3

Dx8

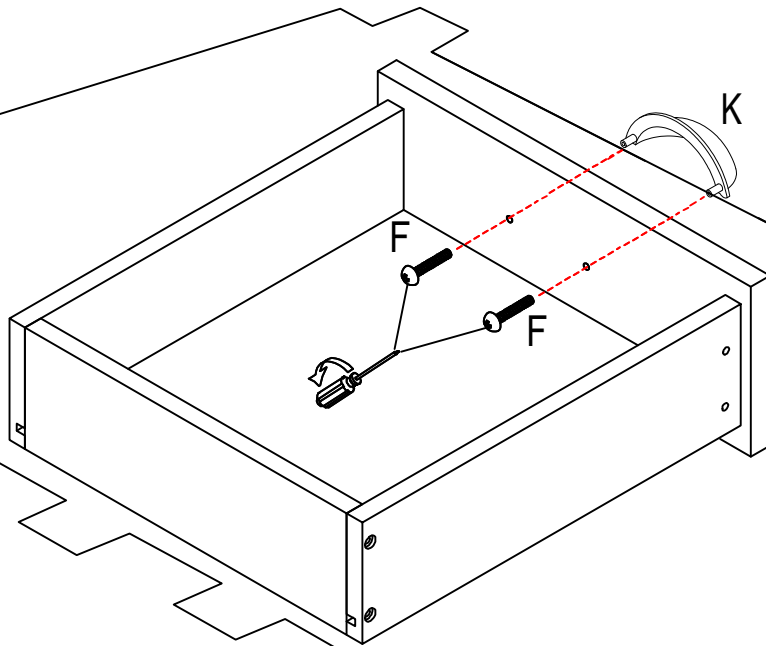


4

Fx4

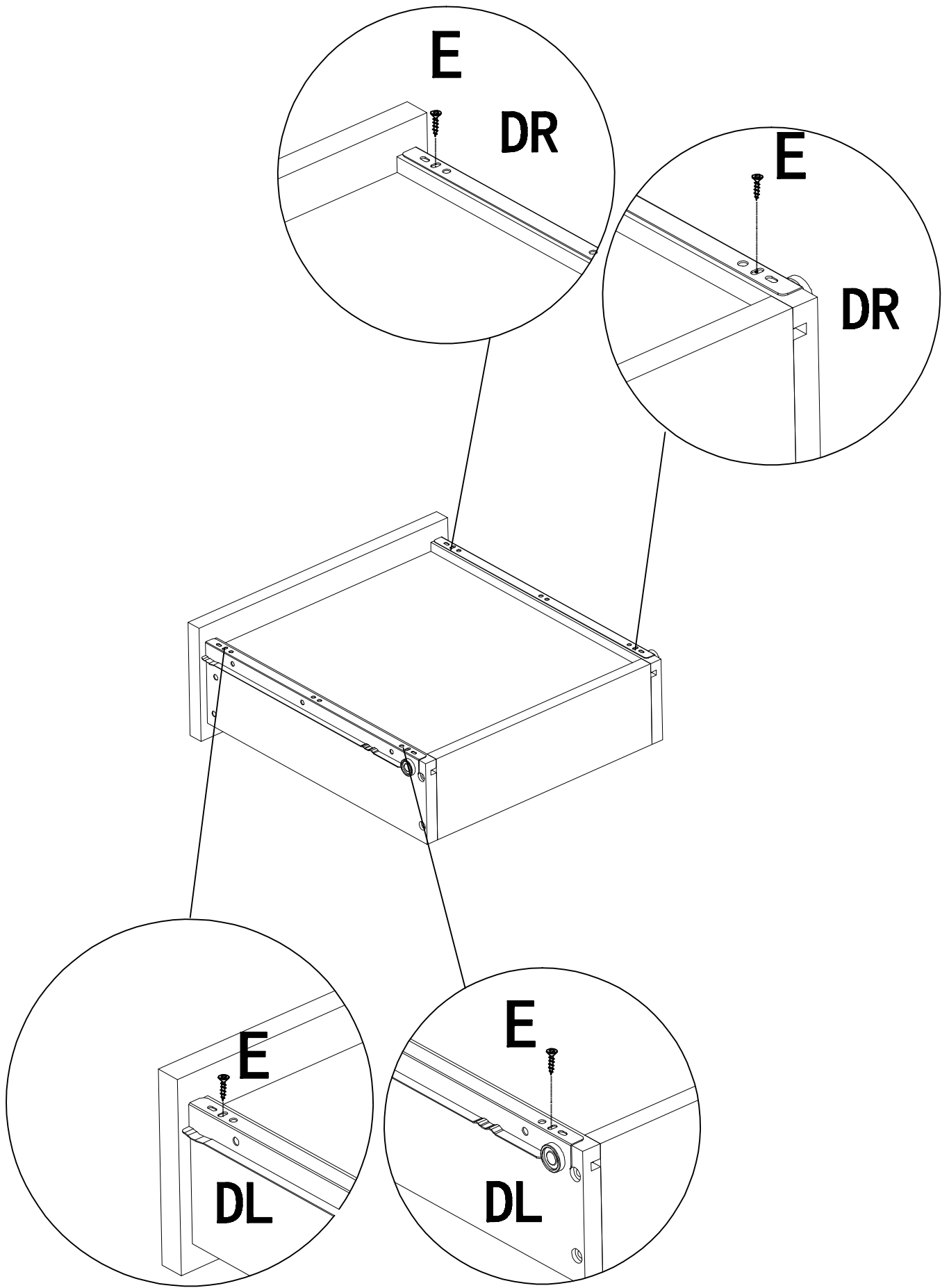


Kx2

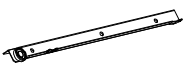


6-15

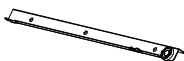
5



DRx2



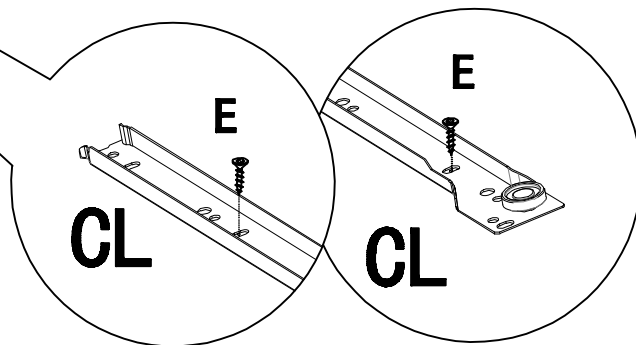
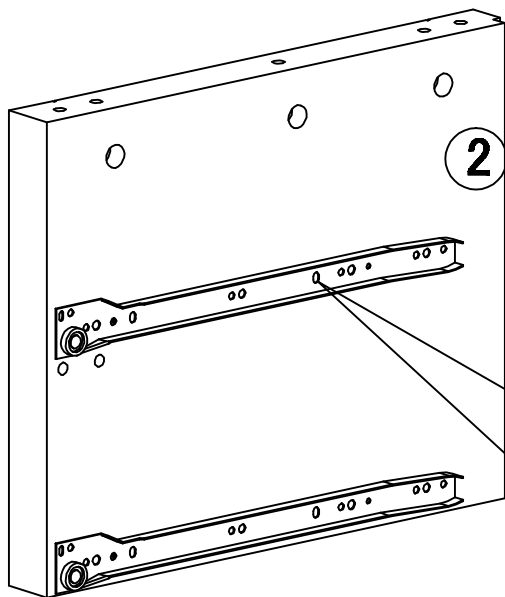
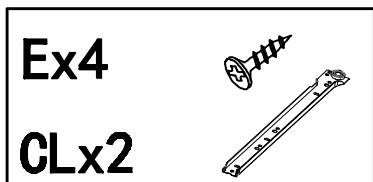
DLx2



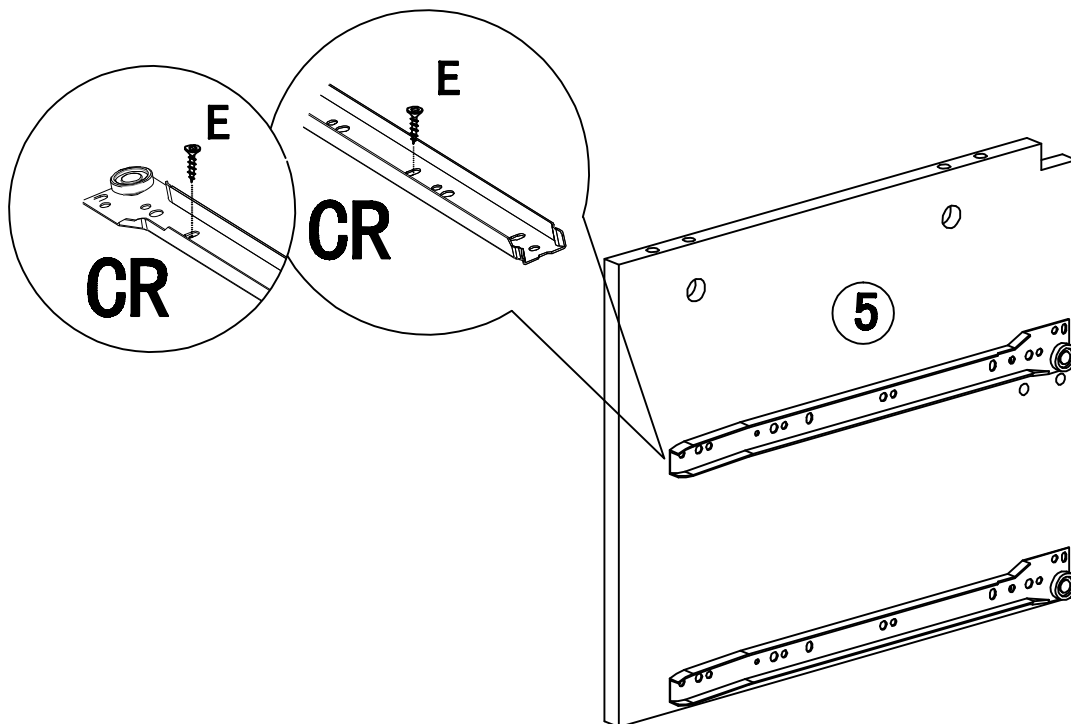
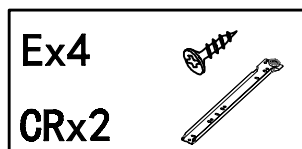
Ex8



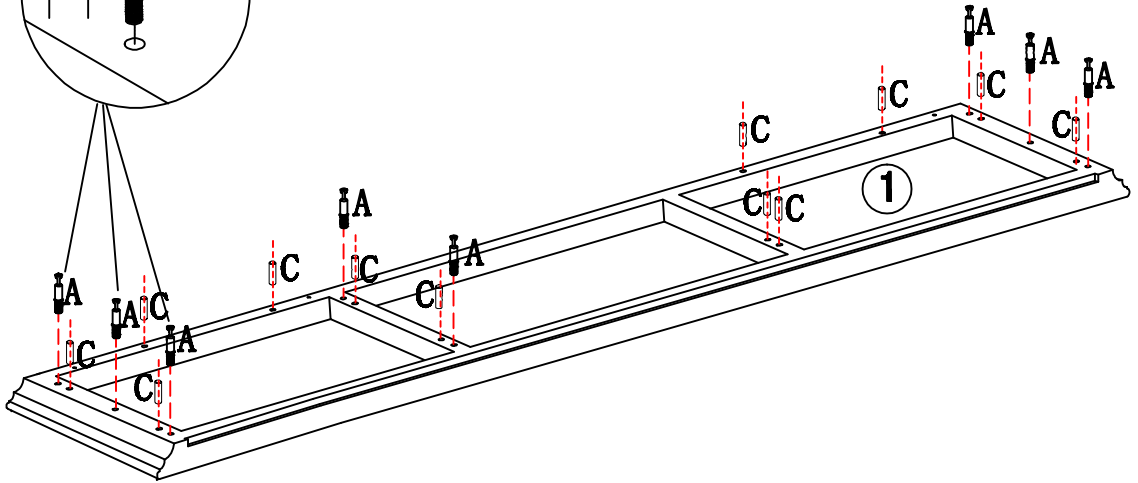
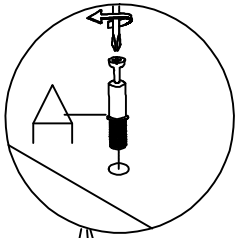
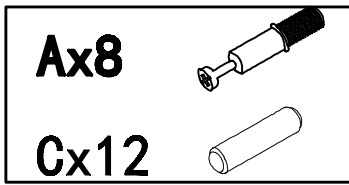
6



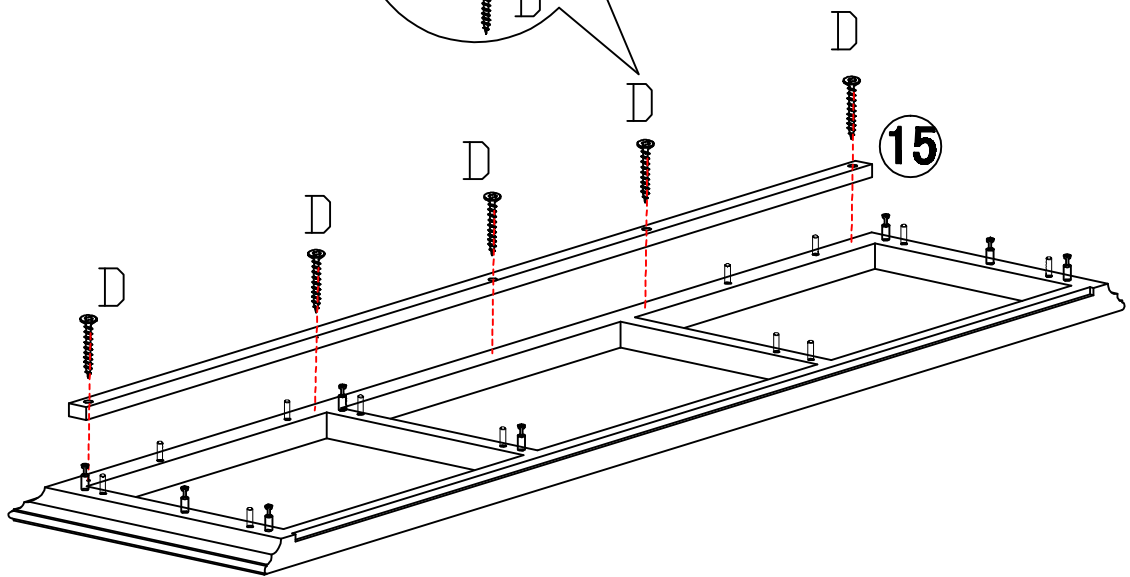
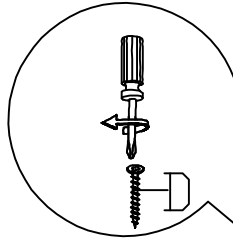
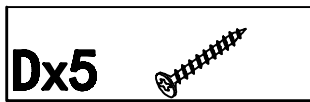
7



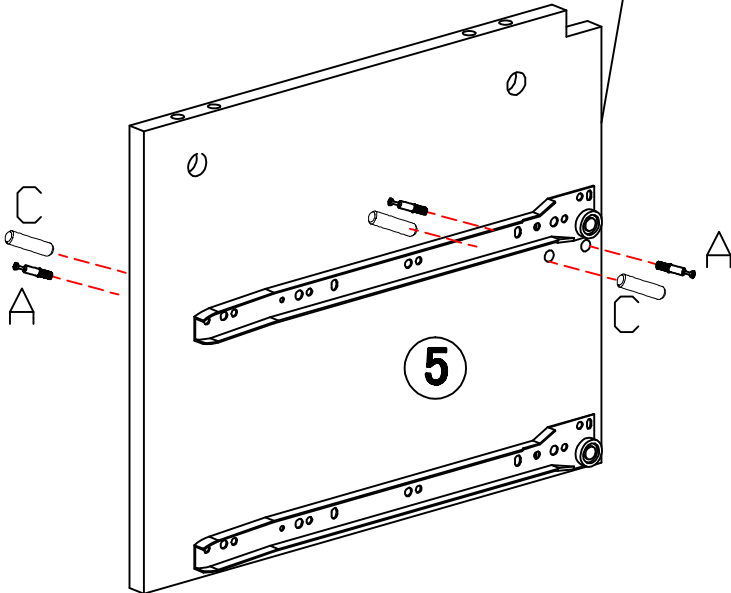
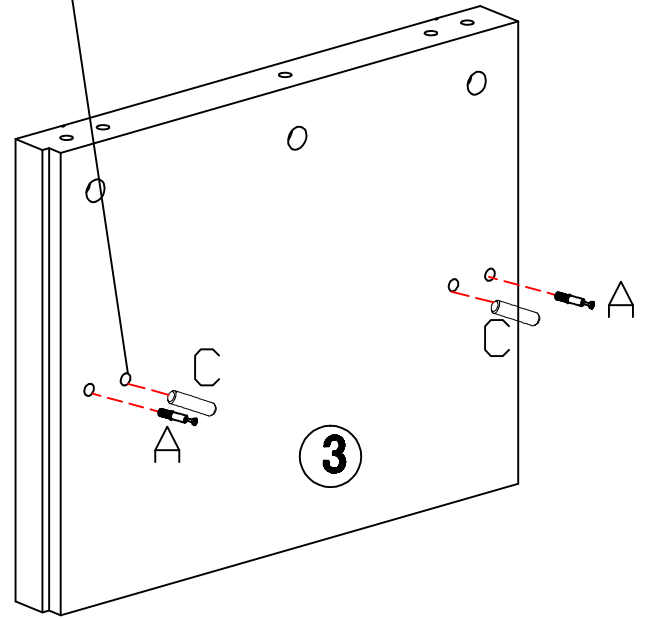
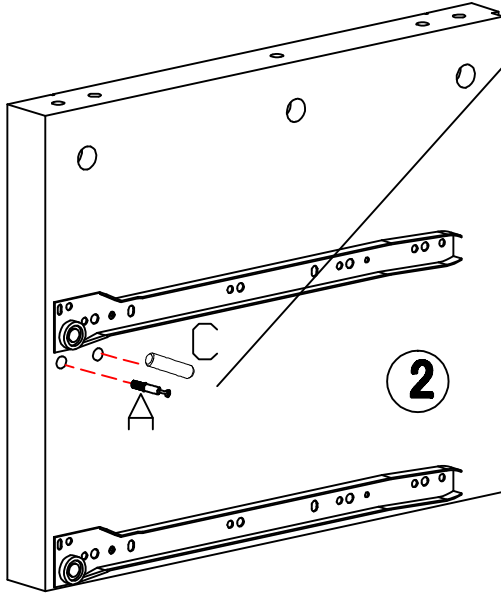
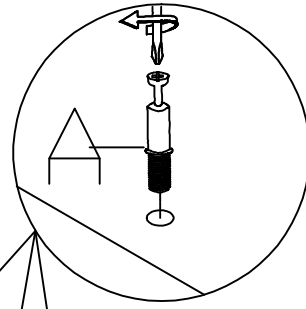
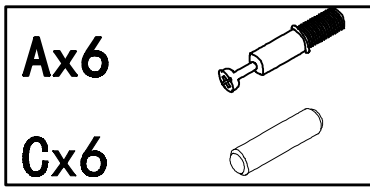
8



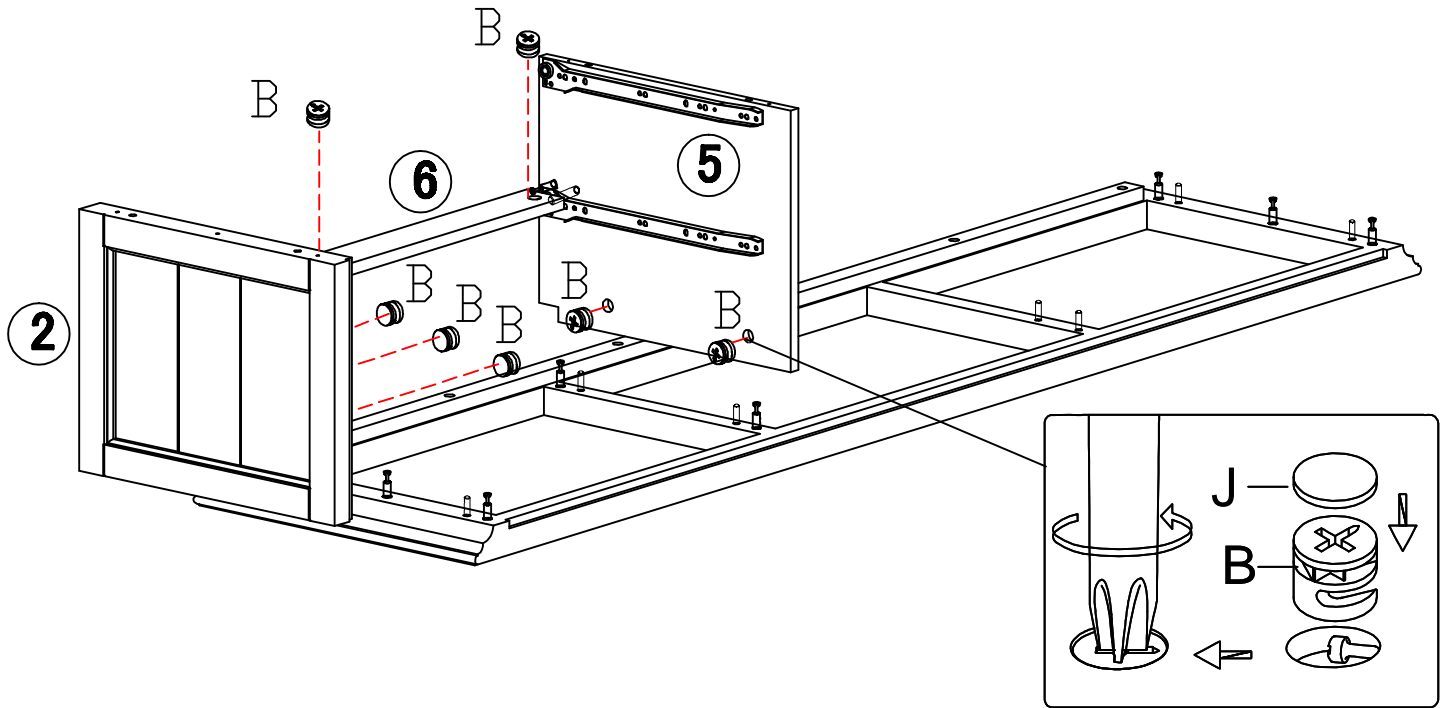
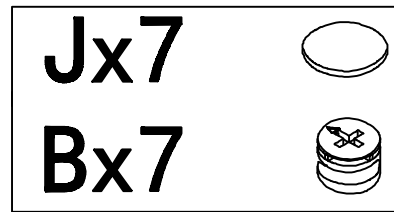
9



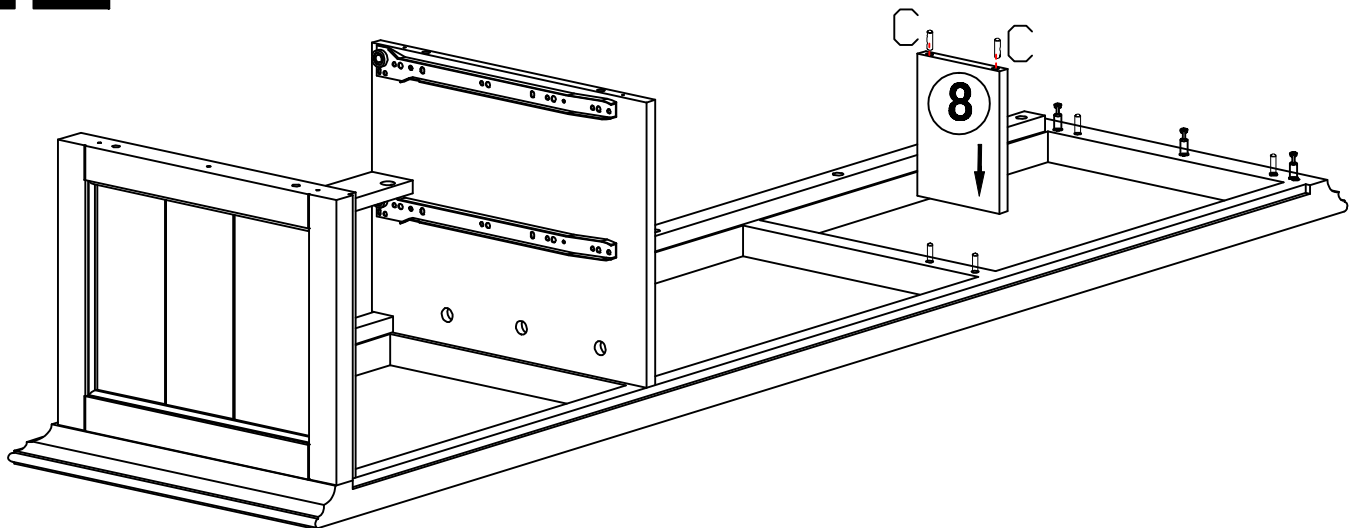
10



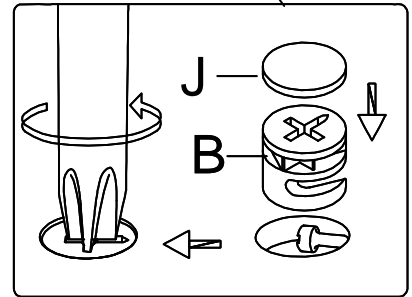
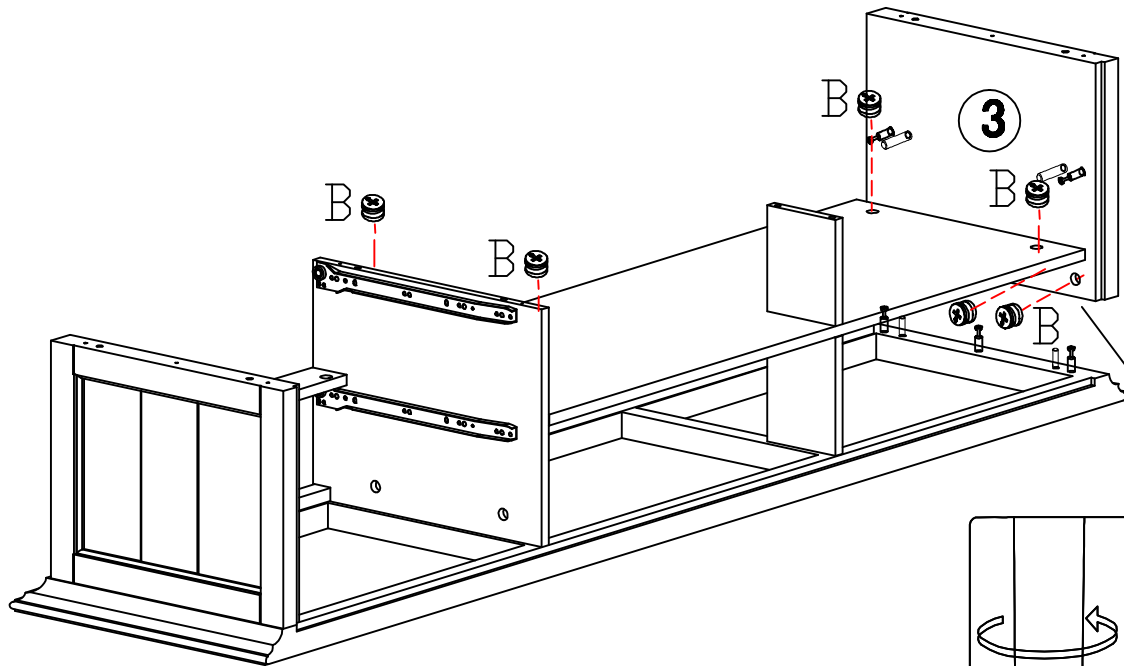
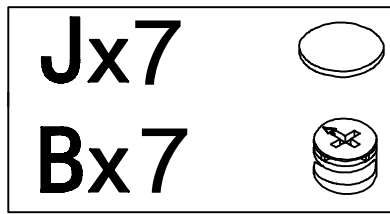
11



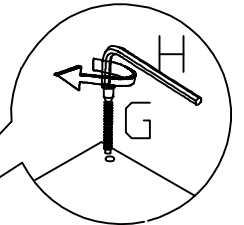
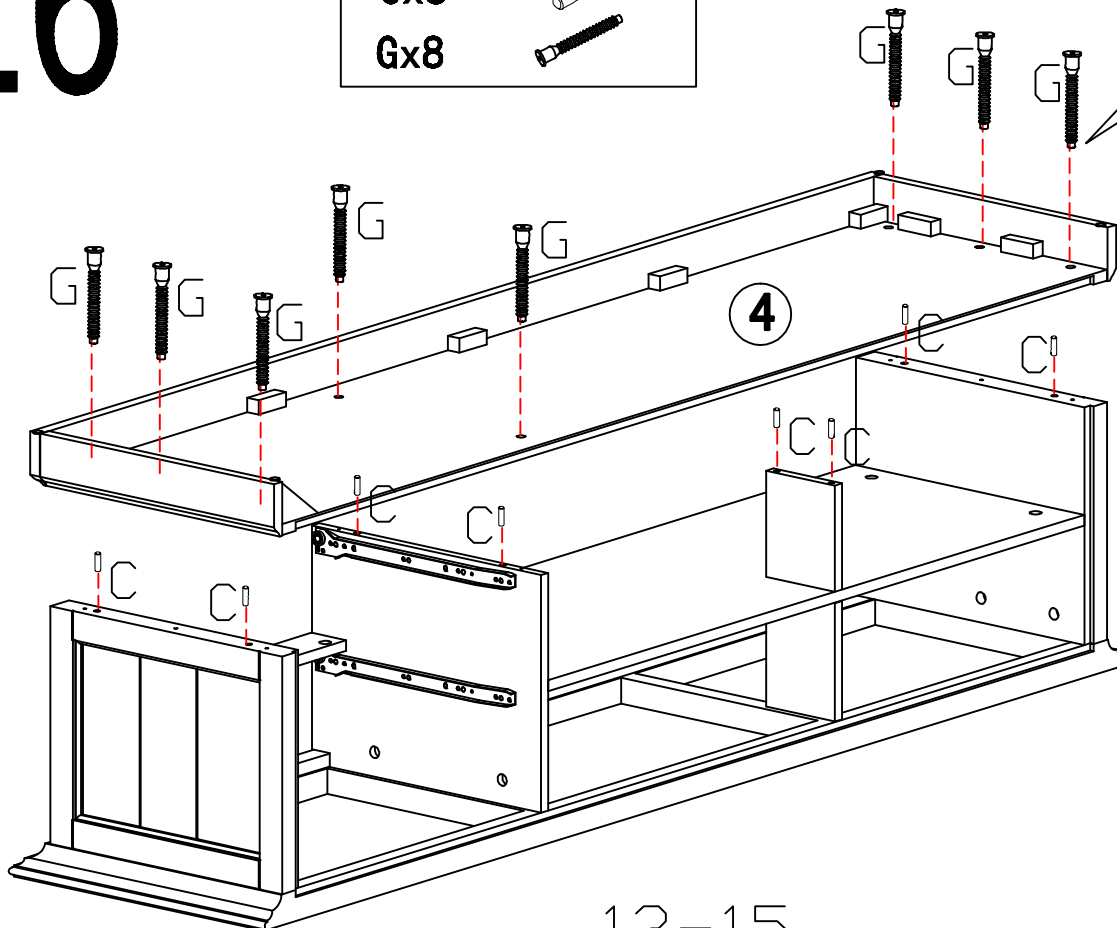
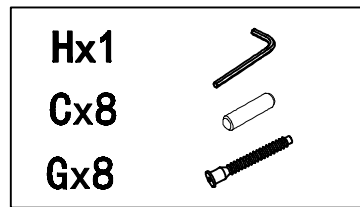
12



15



16

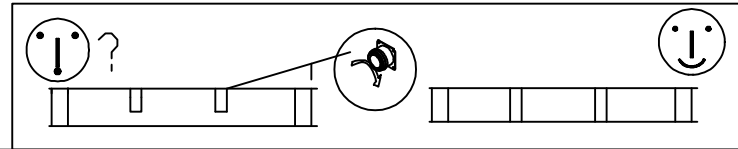
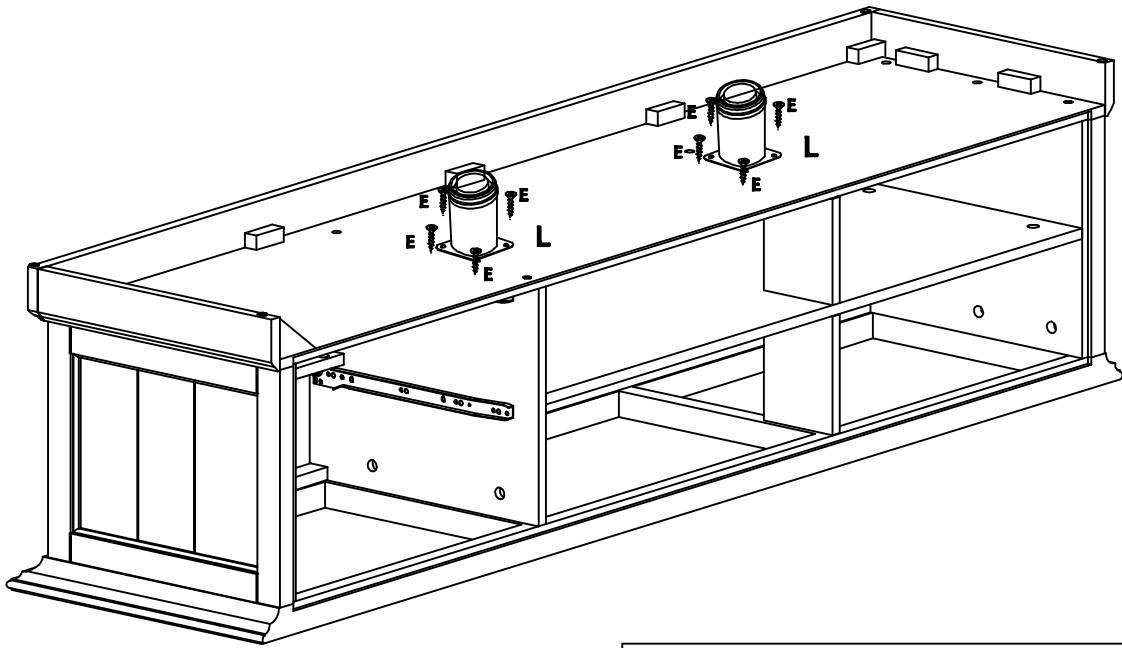
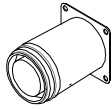


17

Ex8

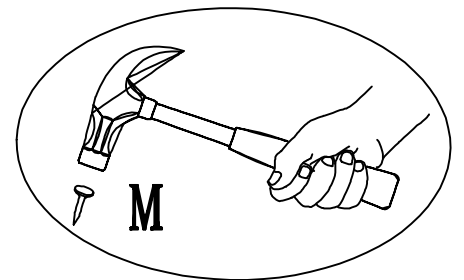
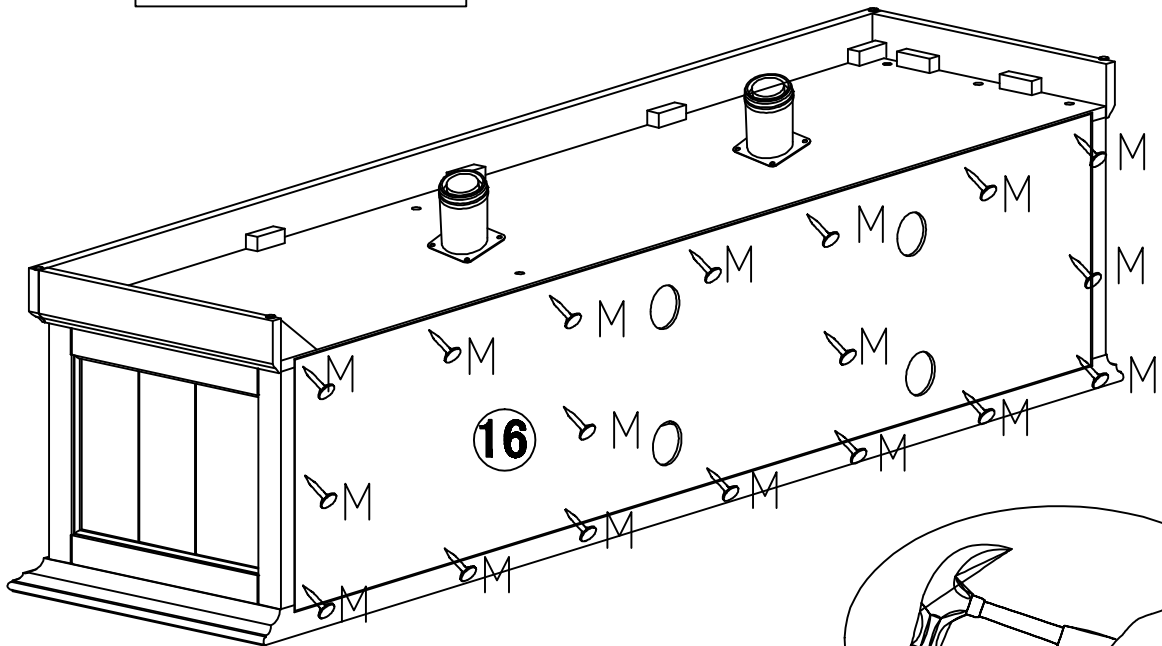


Lx2



18

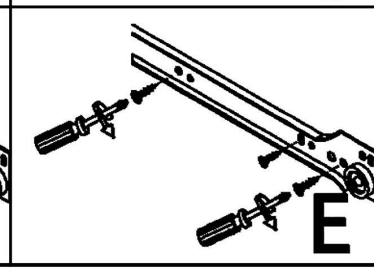
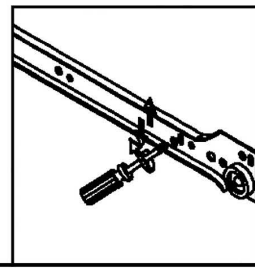
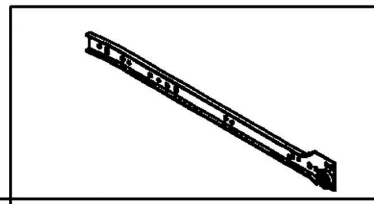
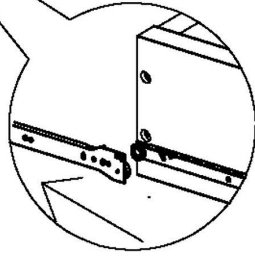
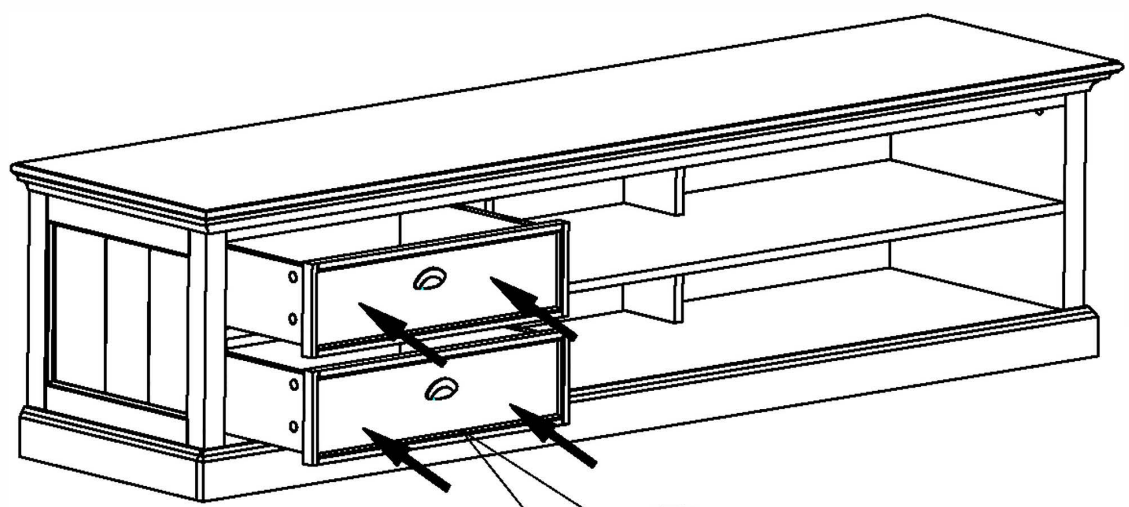
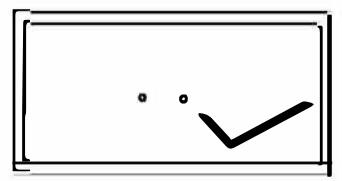
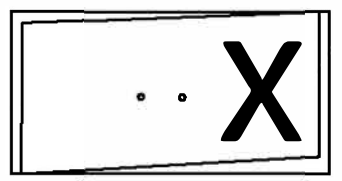
Mx18



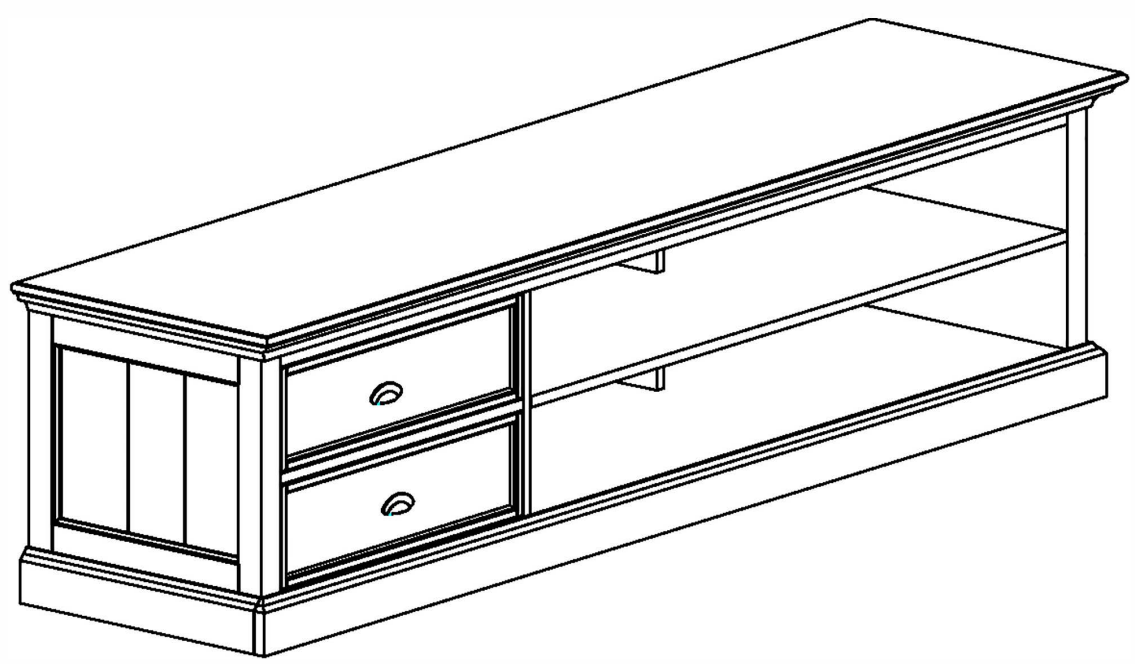
14-15

19

Ex4 



20



15-15