

Read these instructions and follow steps carefully to ensure you assemble the product correctly and avoid damages.

Check that all parts and hardware have been provide before assembling the products.

Place all contents on a clean,soft-flat surface to avoid scraching the product.

**CAUTION:**

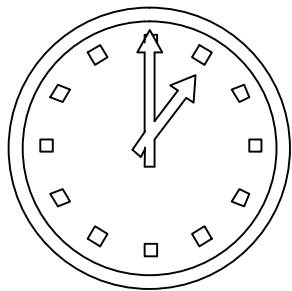
To prevent damage to threads,do not use a power tool and do not overtighten bolts.

Use two people lift and turn the product when assembling.

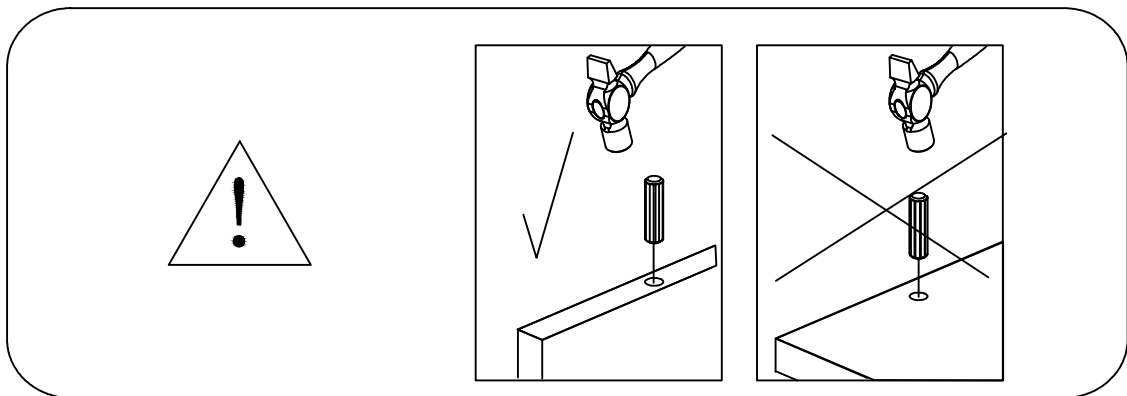
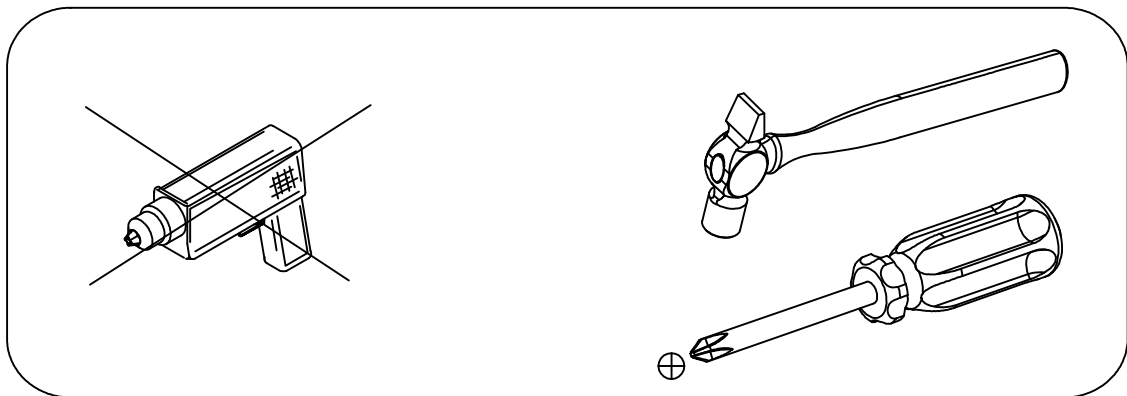
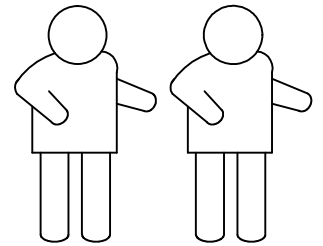
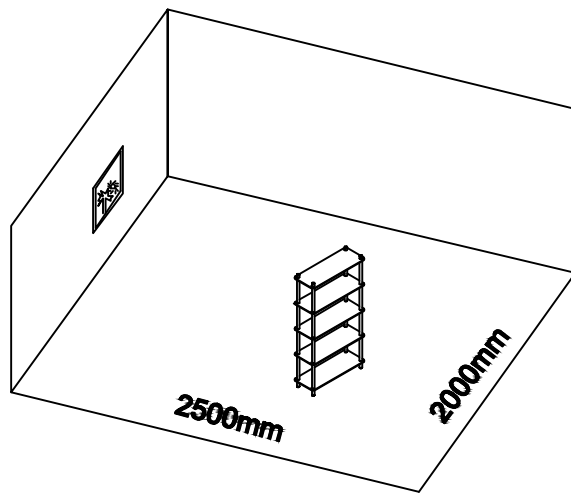
Do not attempt with only one person and do not roll onto legs.

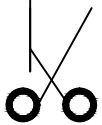
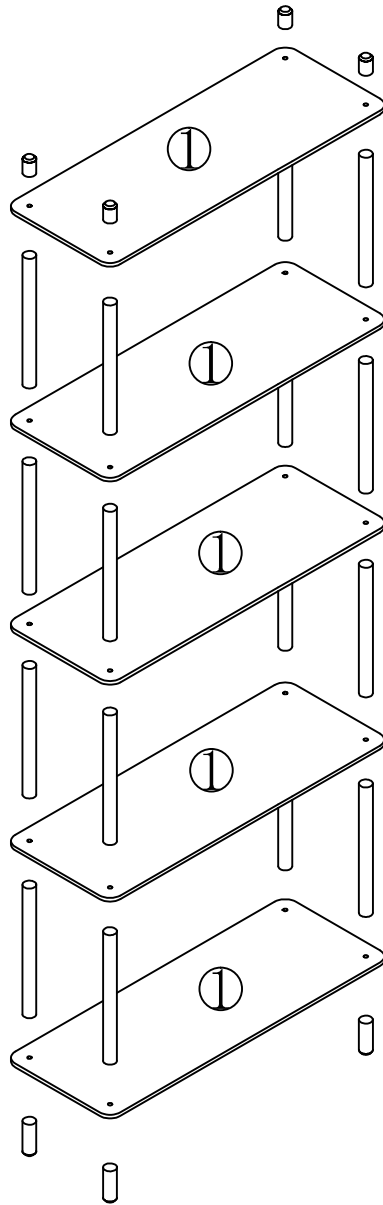
Keep all hardware and small parts away from children.



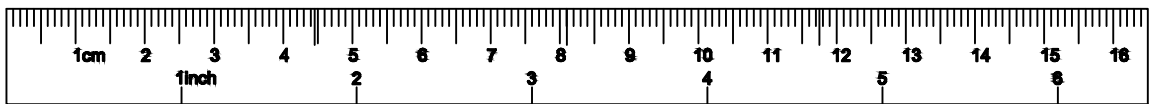
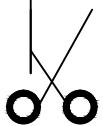


60 min

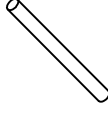





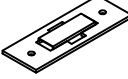



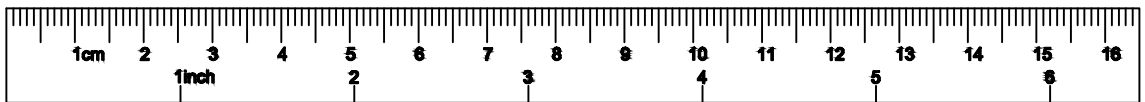
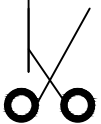


		1925-L
1	5	800x295x18MM

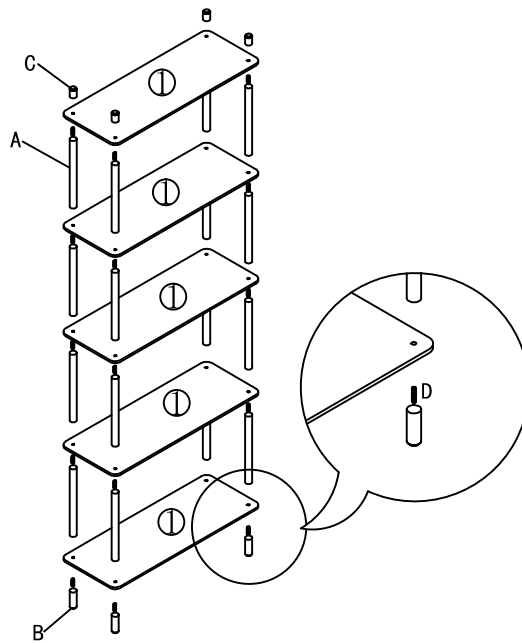
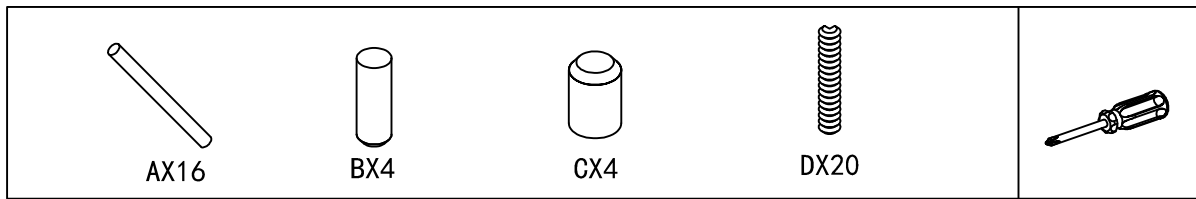




 AX16	 BX4	 CX4	 M8x50 DX20
 EX4	 FX4	 GX2	 HX2

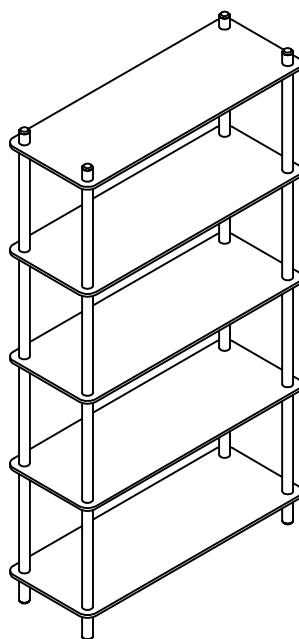


1

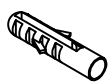


2

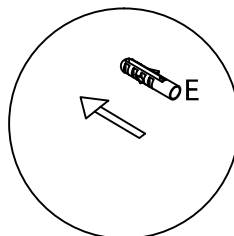
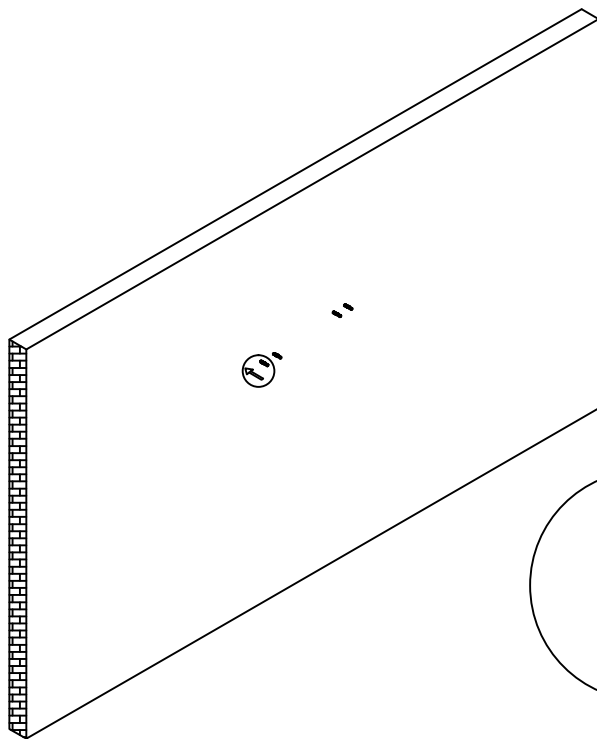
SHELVES ARE COMPLETE. PLEASE SEE BELOW FOR SAFETY ANCHOR INSTRUCTIONS



5



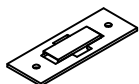
EX4



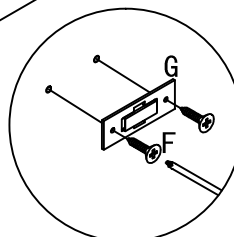
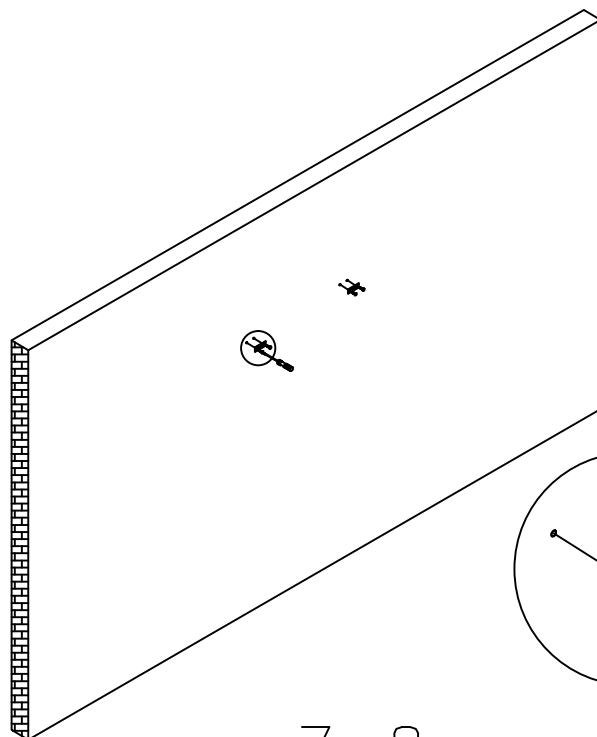
6



FX4



GX2

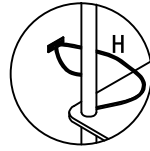
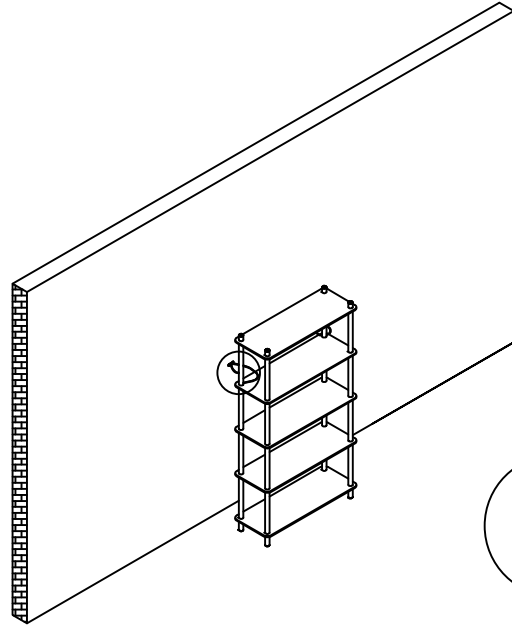


7-8

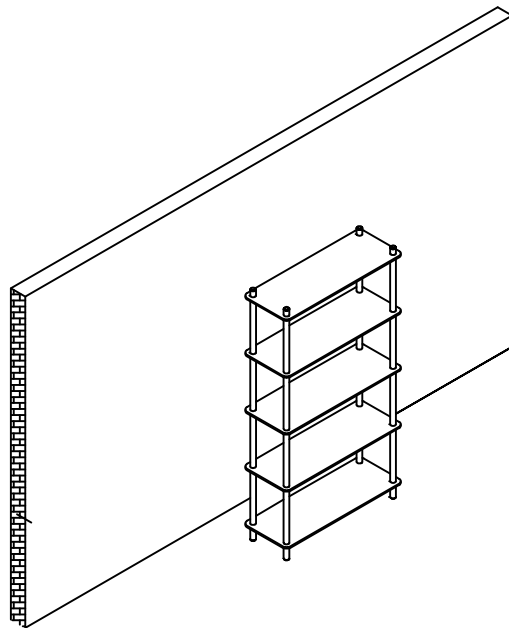
7



HX2



8







8 - 8



# STANDARD TIP KIT INSTRUCTIONS

## FITTINGS AND PARTS CHECKLIST

Item	Description	QTY		Item	Description	Qty
aa	Mounting Plate 	X2		cc	Flat head screw 	x4
bb	Nylon strap 	x2		dd	Plastic wall plug 	x4

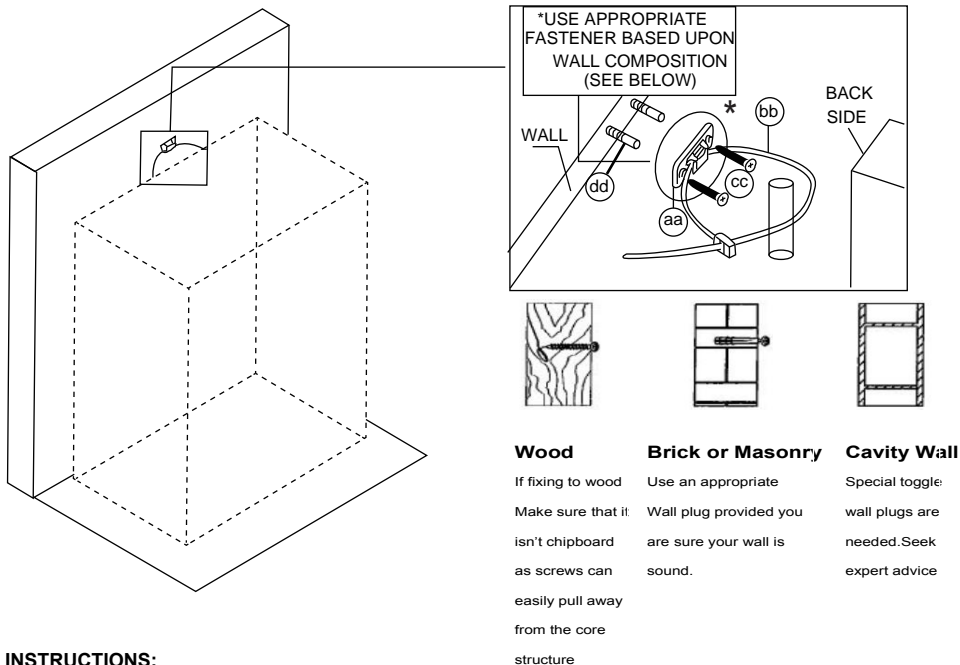
### **Notice: Important Warning**

Notice: To prevent injury and property damage from unexpected tipping of furniture, we highly recommend installation of the anti-tip kit included with this product.

Attaching furniture to wall with anti-tip kits

1. Determine where the piece is to be placed and mark location on the wall for the mounting bracket screw holes. They should be placed approximately 1" below the top on the back of the piece of furniture.
2. Drill the hole and use the appropriate wall plug that is suitable for your walls composition.
 

**Warning:** Before drilling check wall for hidden pipes and cables.
3. Attach the mounting bracket horizontally to the wall using appropriate fastener, through the holes in the bracket and 2 wall plugs that are suitable to your wall and then tighten securely.
4. Lace the nylon strap down through the brackets and shelf. Slide the thin end of the strap through the receiving end on the nylon strap. Pull to tighten the piece of furniture snug against wall.



### **CARE INSTRUCTIONS:**

1. Hardware may loosen overtime, Periodically check that all connections are tight and re-tighten as necessary.
2. Wipe with a soft, dry cloth. To protect finish, avoid the use of chemicals and household cleaners.