

---

## Quinn Oversized Reversible Chaise

# Read first, enjoy forever

## Assembly tips

- Assemble your product on a level surface and lay something soft underneath to protect potential floor damage.
- Don't over tighten screws. During assembly we recommend tightening to approximately 70% tightness. Only tighten hardware 100% when fully assembled.
- Keep children away from assembly area as bags and small parts can pose a choking hazard.
- Make sure you have enough space to layout parts before starting. We recommend assembling your item in its final location.
- Do not stand on or put weight on the parts as it may warp or damage product.
- We do not recommend the use of drills or power tools (unless specified) as it may damage the product or hardware. Use hand held screwdrivers only.
- It is best that two people assemble the product as some products may be too heavy for one person. Check this booklet for guidance.

## Safety, care and maintenance

- To reduce the risk of injury, always secure storage furniture to walls and/or floors by using tip-over restraints.
- Never let children climb or hang on drawers, doors or shelves.
- To protect your product and your home, we recommend using coasters, placemats, rugs and other protective items.
- Screws may loosen over time. We recommend setting a reminder to tighten up every six months.
- Remove any liquid spills immediately using a clean cloth with mild detergent. Do not use bleach or abrasive cleaners. Always test any cleaning agent in an inconspicuous spot first to know if it is suitable.

## Recycling

We hope that you love your product forever, but we know situations change. In the event that you wish to dispose of your product please consider some creative ways to give it a new home:

- If it's still in great shape, sell it on your favourite online marketplace!
- Give it a second life by affording it a fresh coat of paint.
- If you must dispose of it, why not donate it to your local charity or shelter for someone else to enjoy.

Please dispose of this product and packaging responsibly and recycle where possible. Scan the QR code to read more about Temple and Webster's commitment to a more sustainable future.



**TEMPLE &  
WEBSTER**

Damaged or missing parts? Or just need help?  
Contact us on [service@templeandwebster.com.au](mailto:service@templeandwebster.com.au)

# Parts list

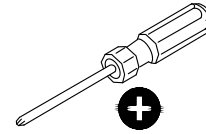
## ASSEMBLY INSTRUCTIONS

### Quinn Oversized Reversible Chaise ATQNOCBH/ATQNOCGN/ATQNOCNT

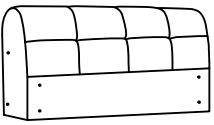
NUMBER OF PEOPLE REQUIRED FOR  
ASSEMBLY:

**2**

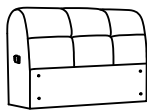
TOOLS REQUIRED FOR  
ASSEMBLY



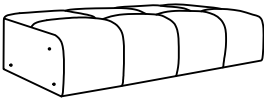
①



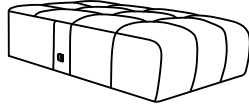
②



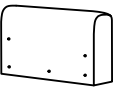
③



④


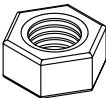
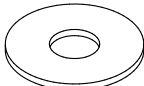
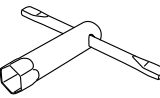
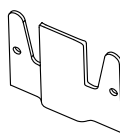
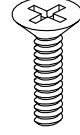
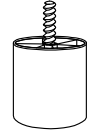


⑤



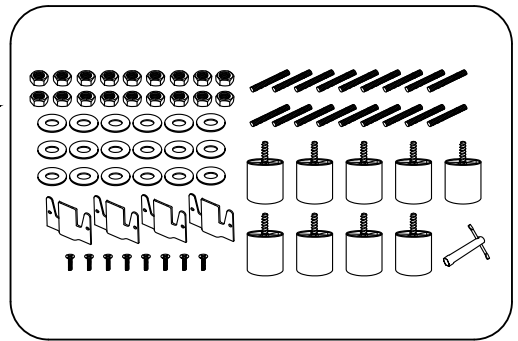
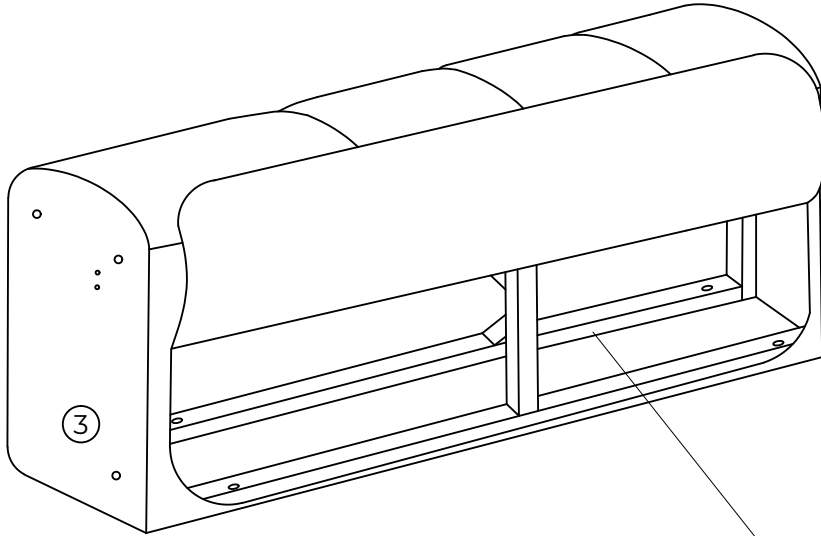
⑥



<p>A</p>  <p>18 PCS Bolt M8x135</p>	<p>B</p>  <p>18 PCS Nut M8/12</p>	<p>C</p>  <p>18 PCS Washer ø9/ø25</p>	<p>D</p>  <p>1 PCS Spanner 12</p>	<p>E</p>  <p>4 PCS Plate 100x45x2</p>	<p>F</p>  <p>8 PCS Bolt M6x15</p>	<p>L</p>  <p>9 PCS Leg ø50x50</p>
--	--	--	--	--	---	--

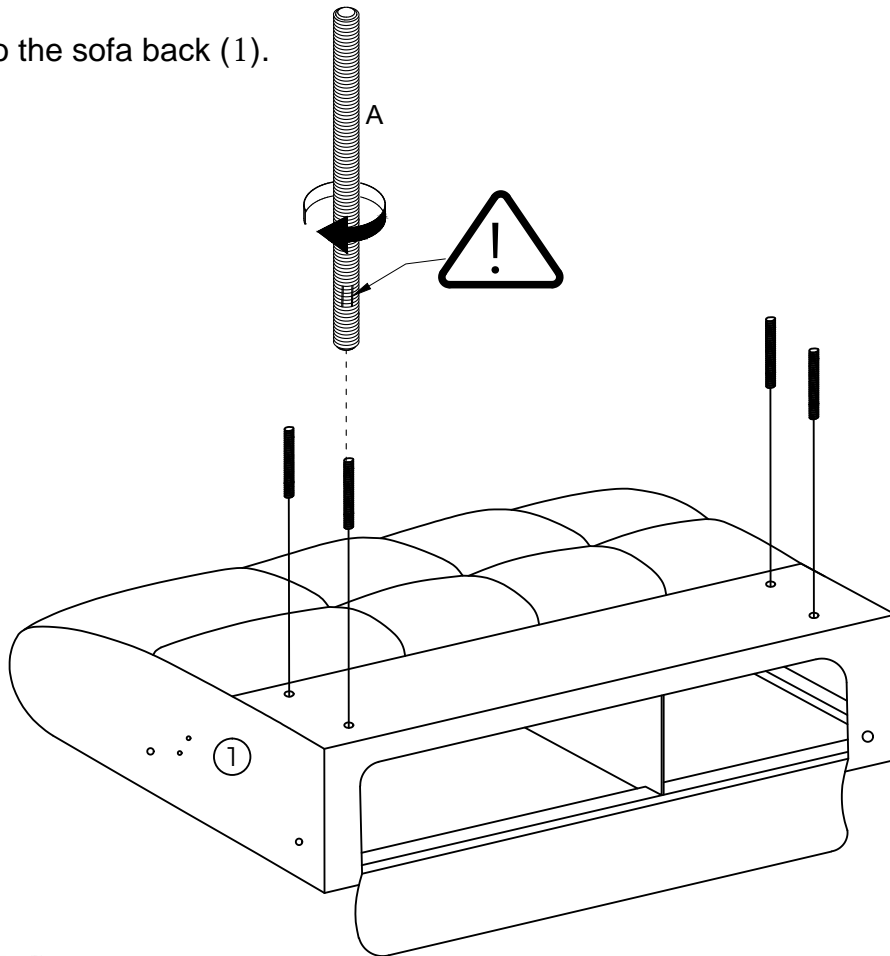
**1.**

All hardware is located in a pocket underneath the Sofa.



**2.**

Insert 4 Bolt (A) into the sofa back (1).



**You will need:**

Ax4



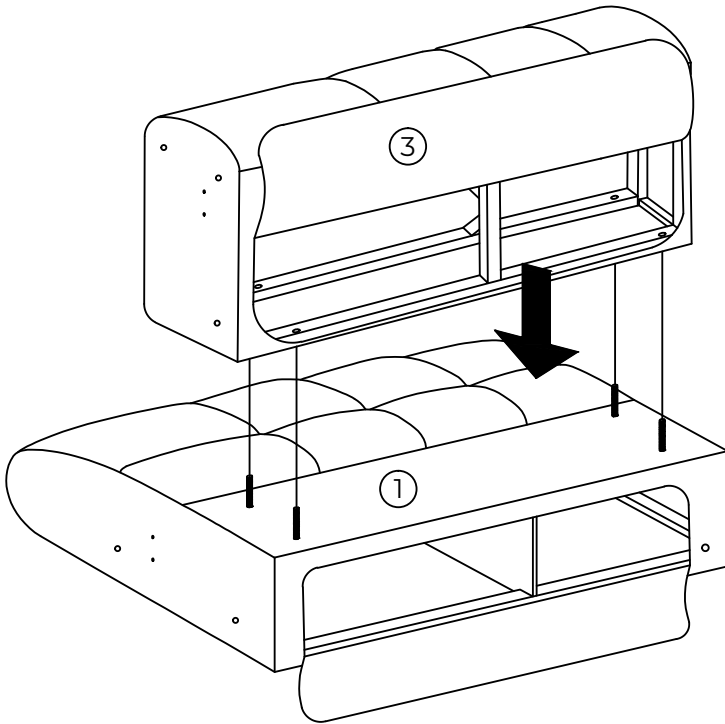
Bolt M8x135

**TEMPLE &  
WEBSTER**

Damaged or missing parts? Or just need help?  
Contact us on [service@templeandwebster.com.au](mailto:service@templeandwebster.com.au)

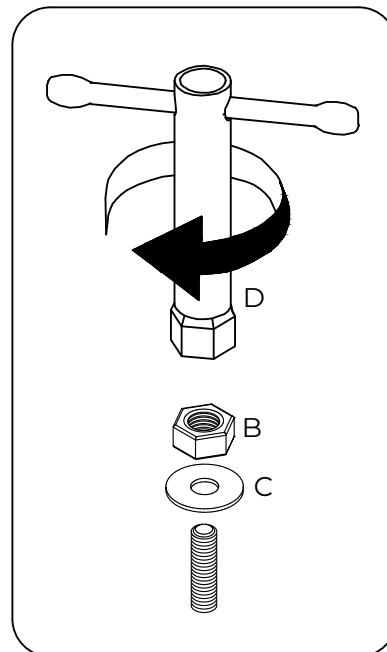
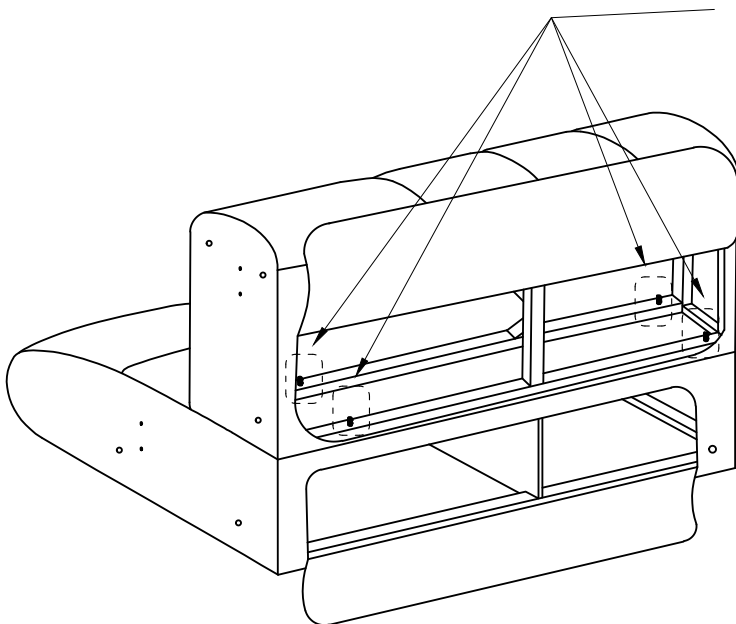
# 3.

Install the back frame (1) on the seat frame (3)



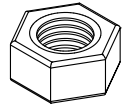
# 4.

Attach the sofa back (1) on the seat frame (3) by using 4 x washer (C) and 4 x Nut (B). Tighten with Spanner (D).



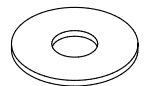
## You will need:

Bx4



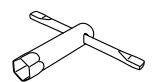
Nut M8/12

Cx4



Washer  $\varnothing 9/\varnothing 25$

Dx1



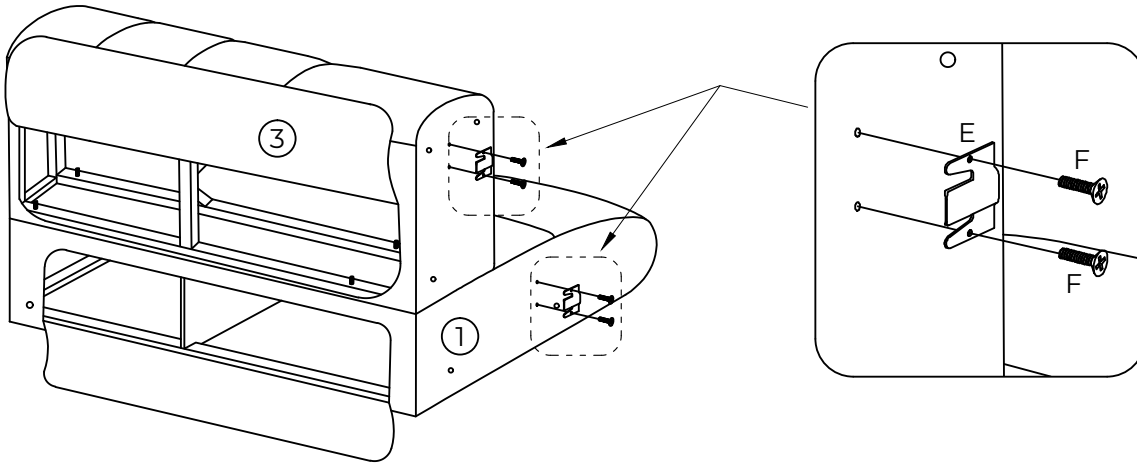
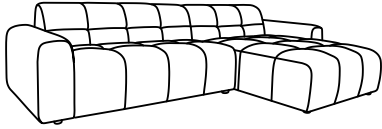
Spanner 12

**TEMPLE &  
WEBSTER**

Damaged or missing parts? Or just need help?  
Contact us on [service@templeandwebster.com.au](mailto:service@templeandwebster.com.au)

# 5.

Install 2 x Plate (E) on the seat (3) and back (1) by using 4 x Bolt (F). Tighten with Screwdriver,



## You will need:

Ex2

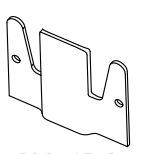
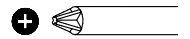


Plate 100x45x2

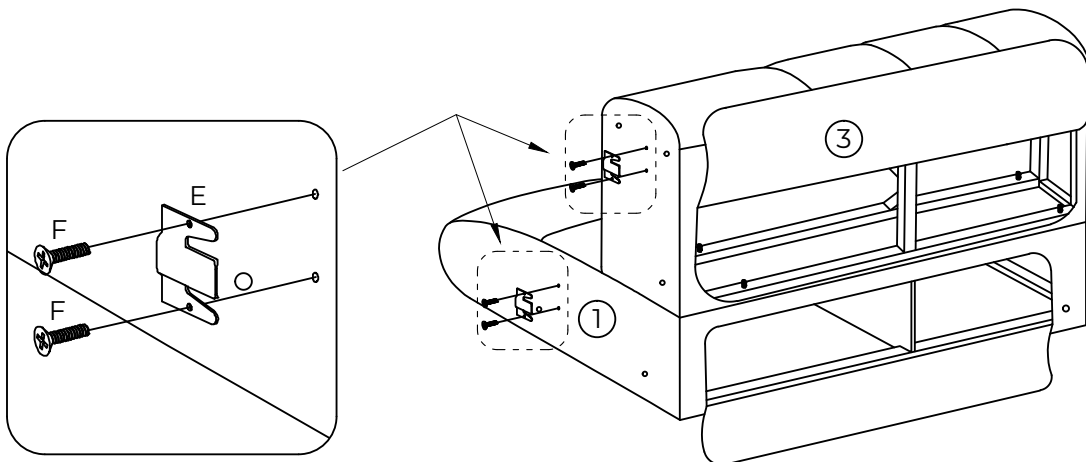
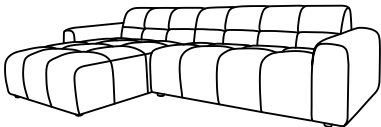
Fx4



Bolt M6x15



Phillips Screwdriver

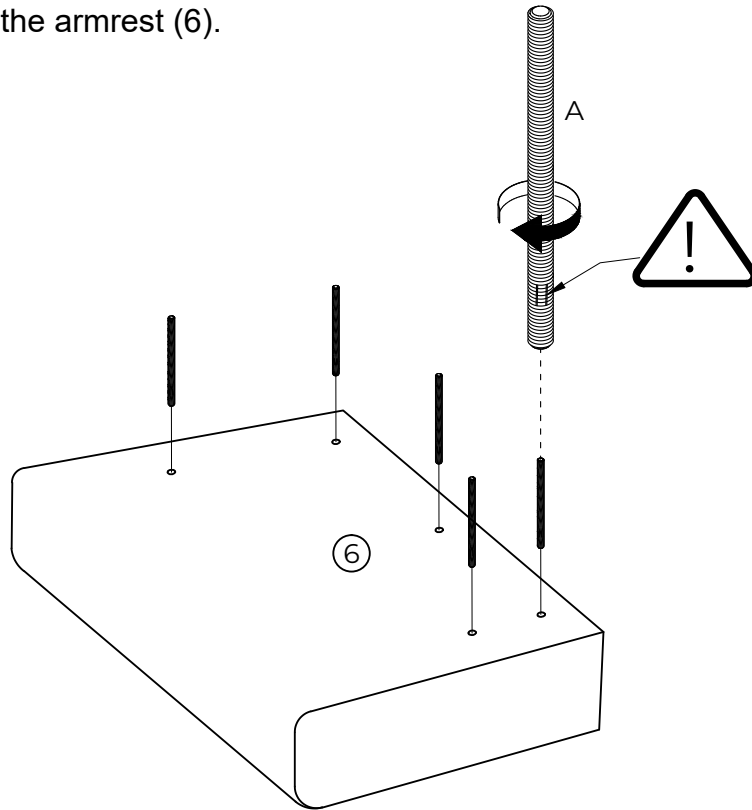


**TEMPLE &  
WEBSTER**

Damaged or missing parts? Or just need help?  
Contact us on [service@templeandwebster.com.au](mailto:service@templeandwebster.com.au)

# 6.

Insert 5 x Bolt (A) into the armrest (6).



**You will need:**

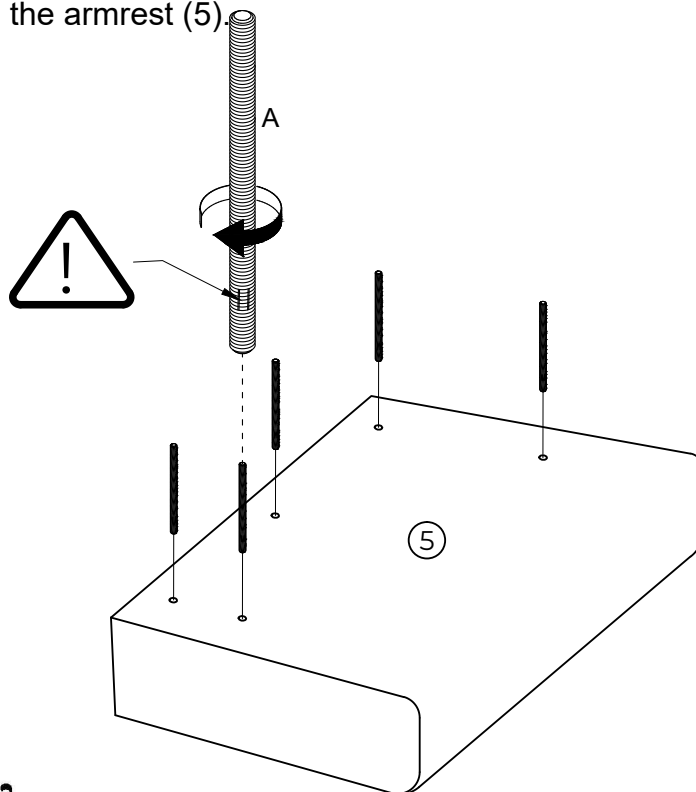
Ax5



Bolt M8x135

# 7.

Insert 5 x Bolt (A) into the armrest (5).



**You will need:**

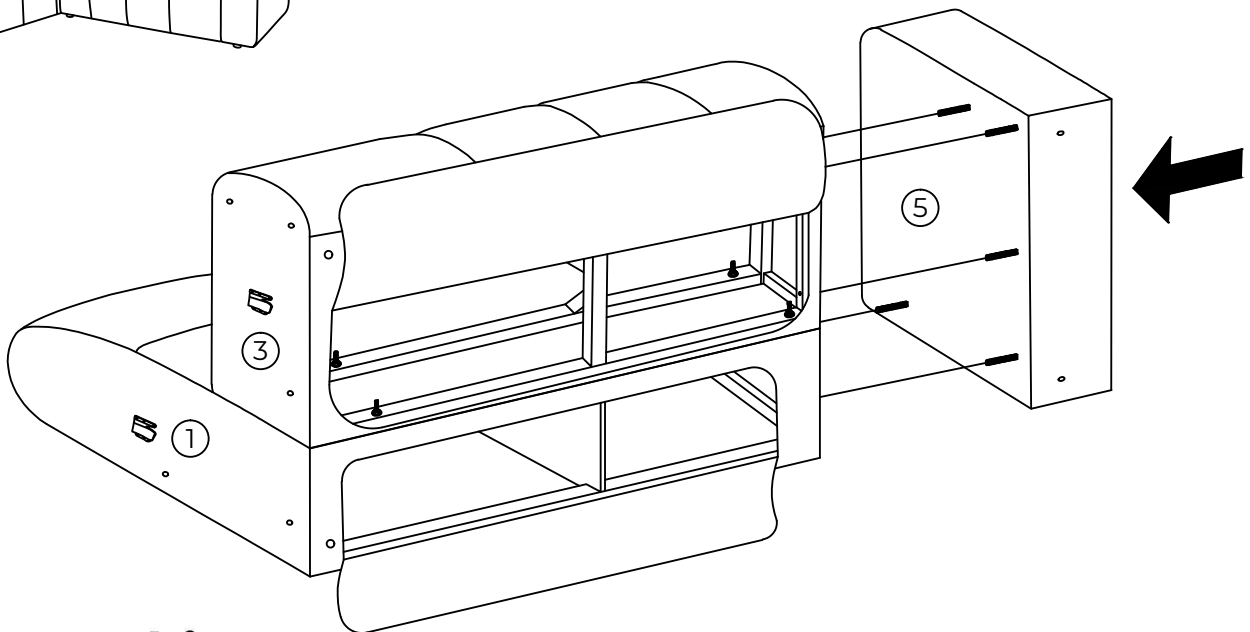
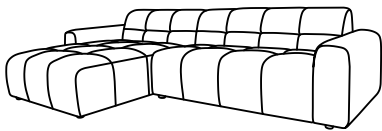
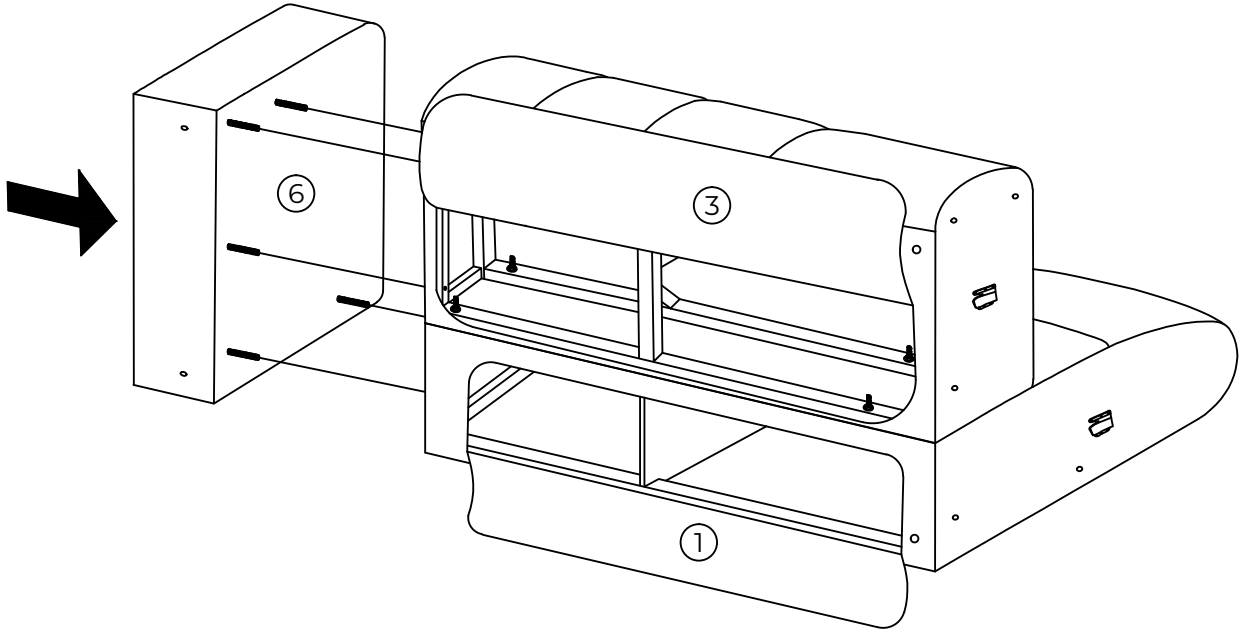
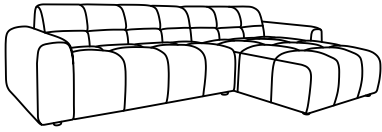
Ax5



Bolt M8x135

# 8.

Install the armrest (5 or 6) on the seat frame (3) and back (1).

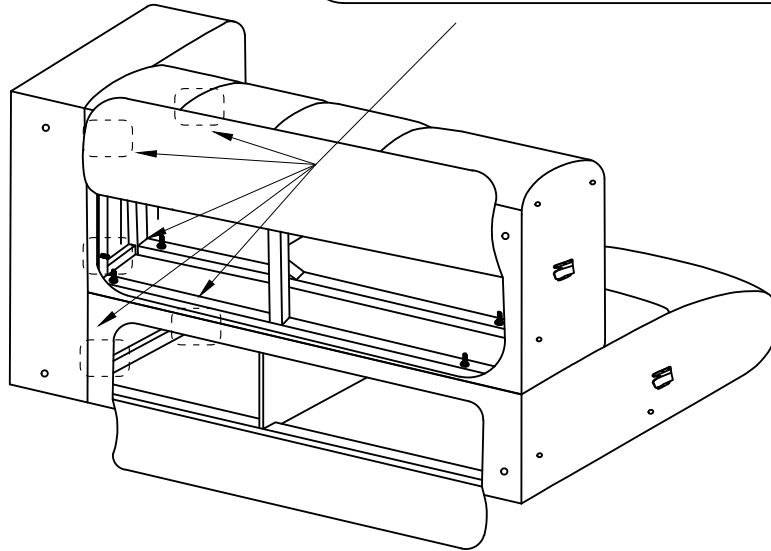
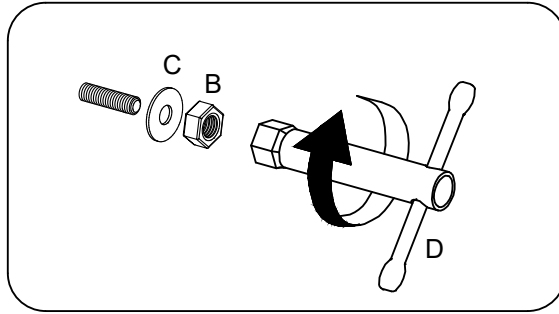
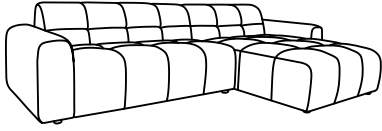


**TEMPLE &  
WEBSTER**

Damaged or missing parts? Or just need help?  
Contact us on [service@templeandwebster.com.au](mailto:service@templeandwebster.com.au)

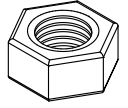
# 9.

Attach the armrest (5 or 6) on the seat frame (3) and sofa back (1) by using 5 x washer (C) and 5 x Nut (B). Tighten with Spanner (D).



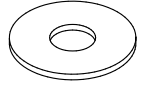
## You will need:

Bx5



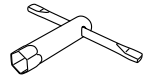
Nut M8/12

Cx5

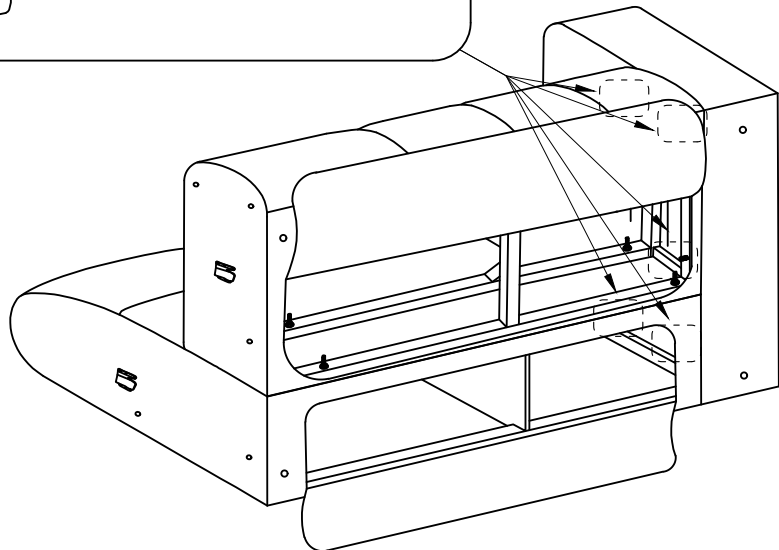
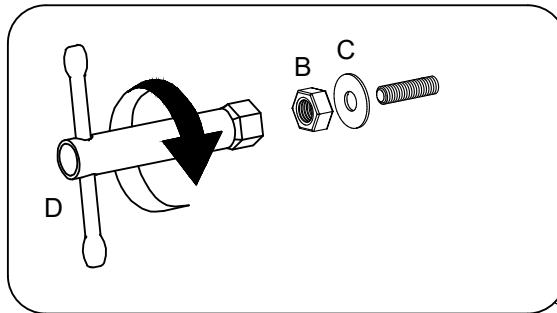
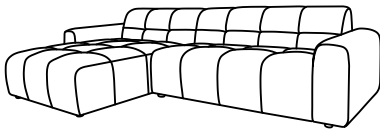


Washer  $\varnothing 9/\varnothing 25$

Dx1



Spanner 12



**TEMPLE &  
WEBSTER**

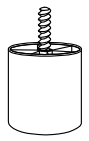
Damaged or missing parts? Or just need help?  
Contact us on [service@templeandwebster.com.au](mailto:service@templeandwebster.com.au)

# 10.

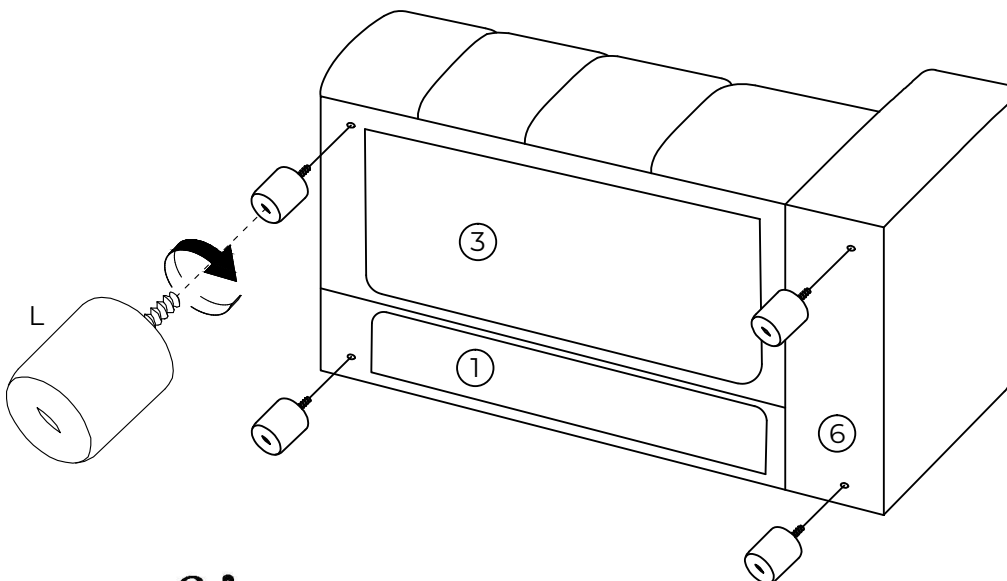
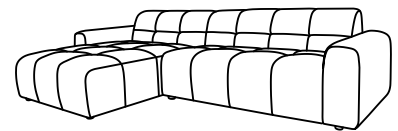
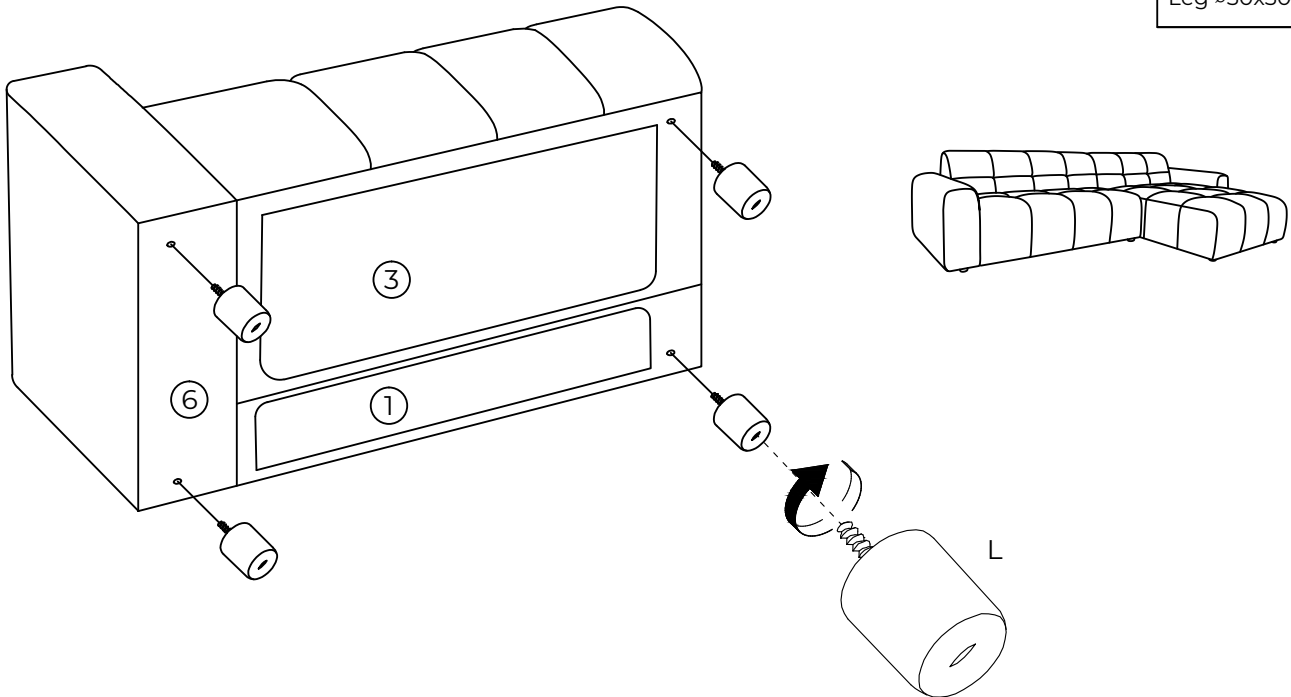
Install 4 x plastic legs (L) on armrest, seat and back.

**You will need:**

Lx4



Leg  $\varnothing$ 50x50

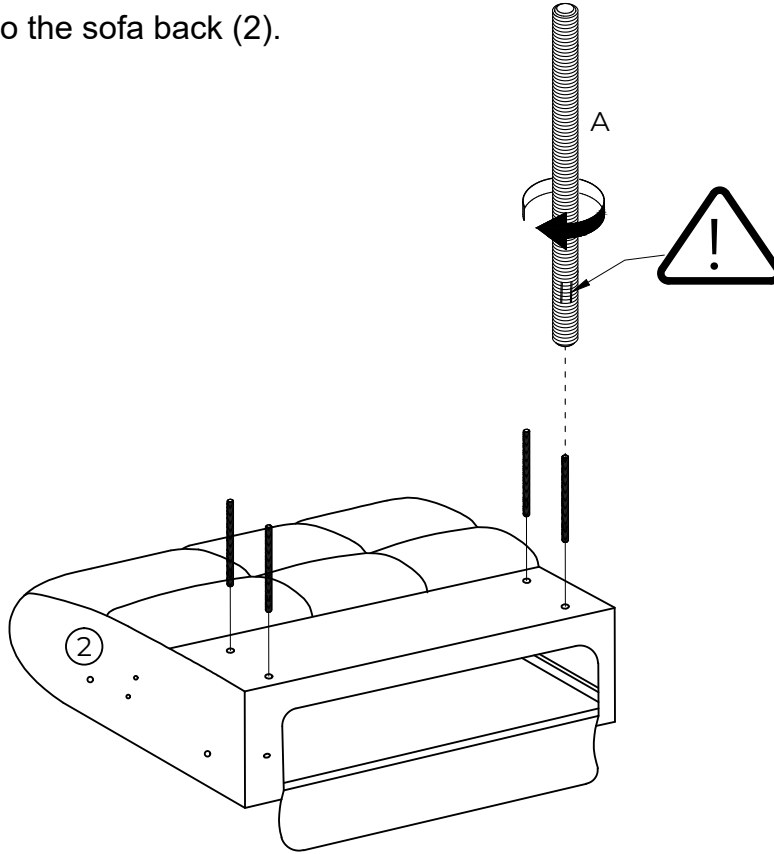


**TEMPLE &  
WEBSTER**

Damaged or missing parts? Or just need help?  
Contact us on [service@templeandwebster.com.au](mailto:service@templeandwebster.com.au)

# 11.

Insert 4 x Bolt (A) into the sofa back (2).



**You will need:**

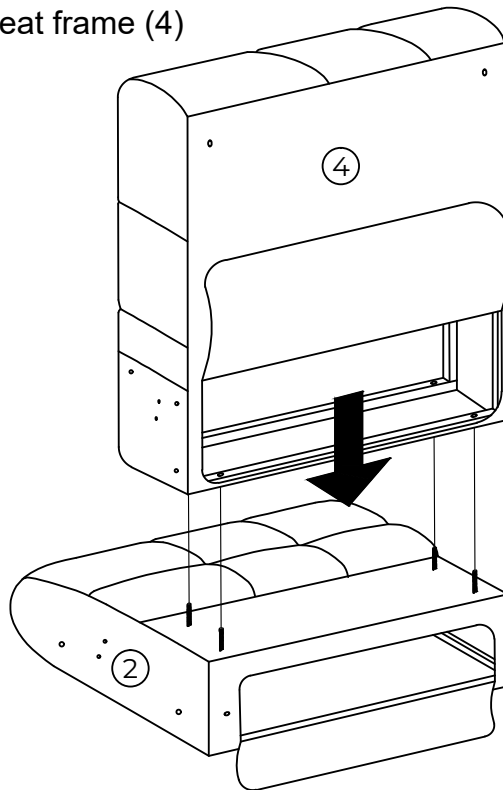
Ax4



Bolt M8x135

# 12.

Install the back frame (2) on the seat frame (4)

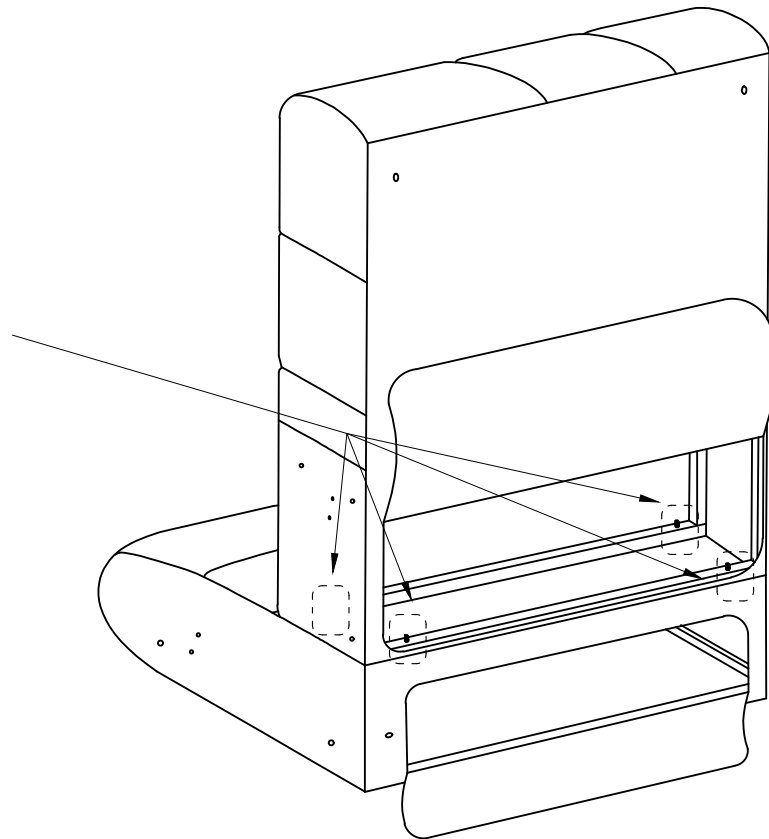
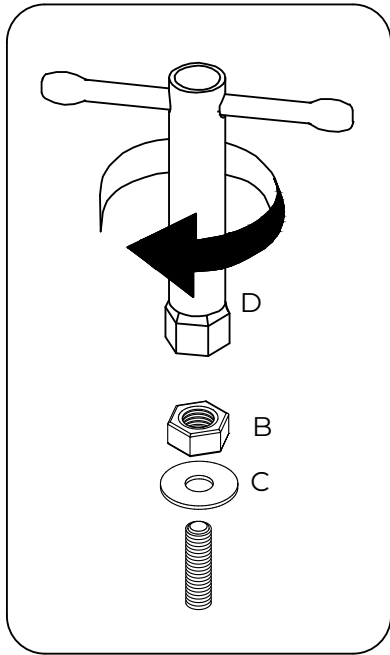


**TEMPLE &  
WEBSTER**

Damaged or missing parts? Or just need help?  
Contact us on [service@templeandwebster.com.au](mailto:service@templeandwebster.com.au)

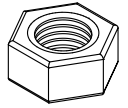
# 13.

Attach the sofa back (2) on the seat frame (4) by using 4 x washer (C) and 4 x Nut (B). Tighten with Spanner (D).



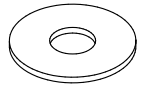
## You will need:

Bx4



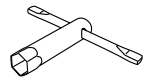
Nut M8/12

Cx4



Washer  $\varnothing 9/\varnothing 25$

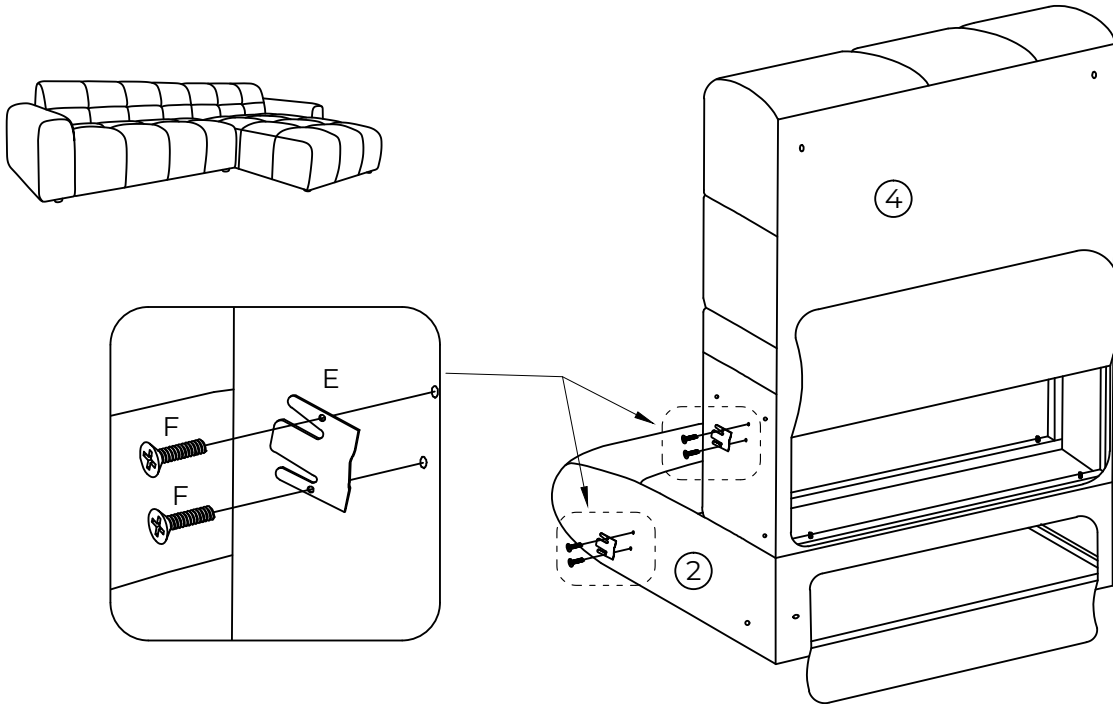
Dx1



Spanner 12

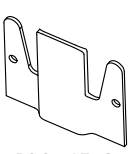
# 14.

Install 2 x Plate (E) on the seat (4) and back (2) by using 4 x Bolt (F). Tighten with Screwdriver,

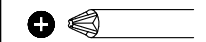


## You will need:

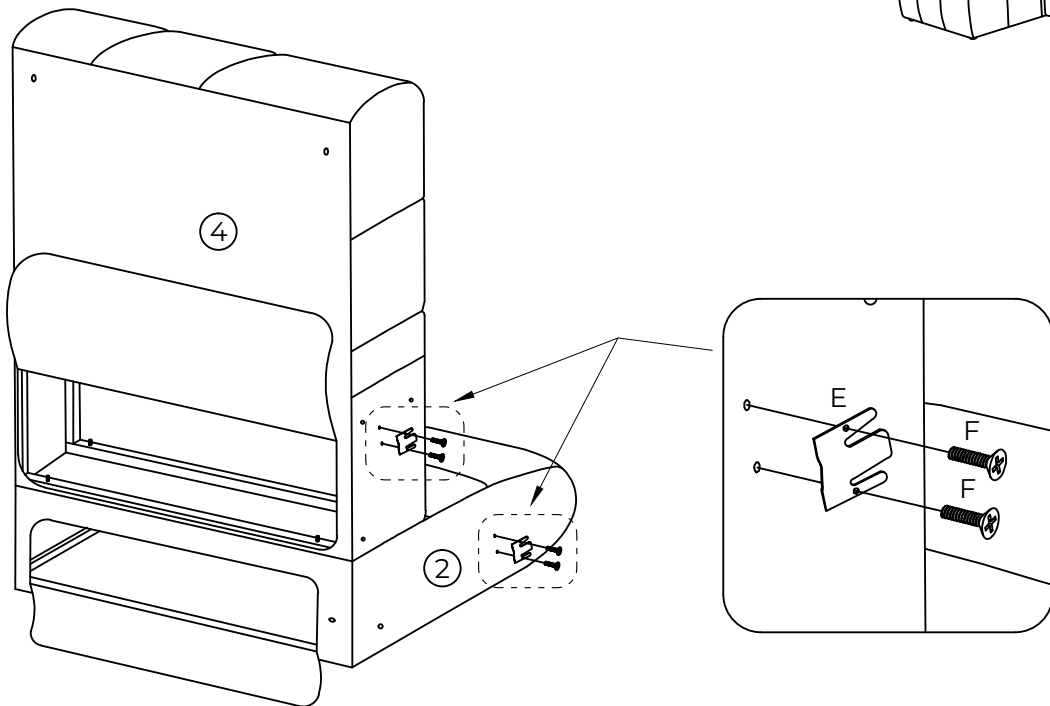
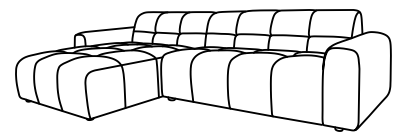
Ex2



Fx4



Phillips Screwdriver

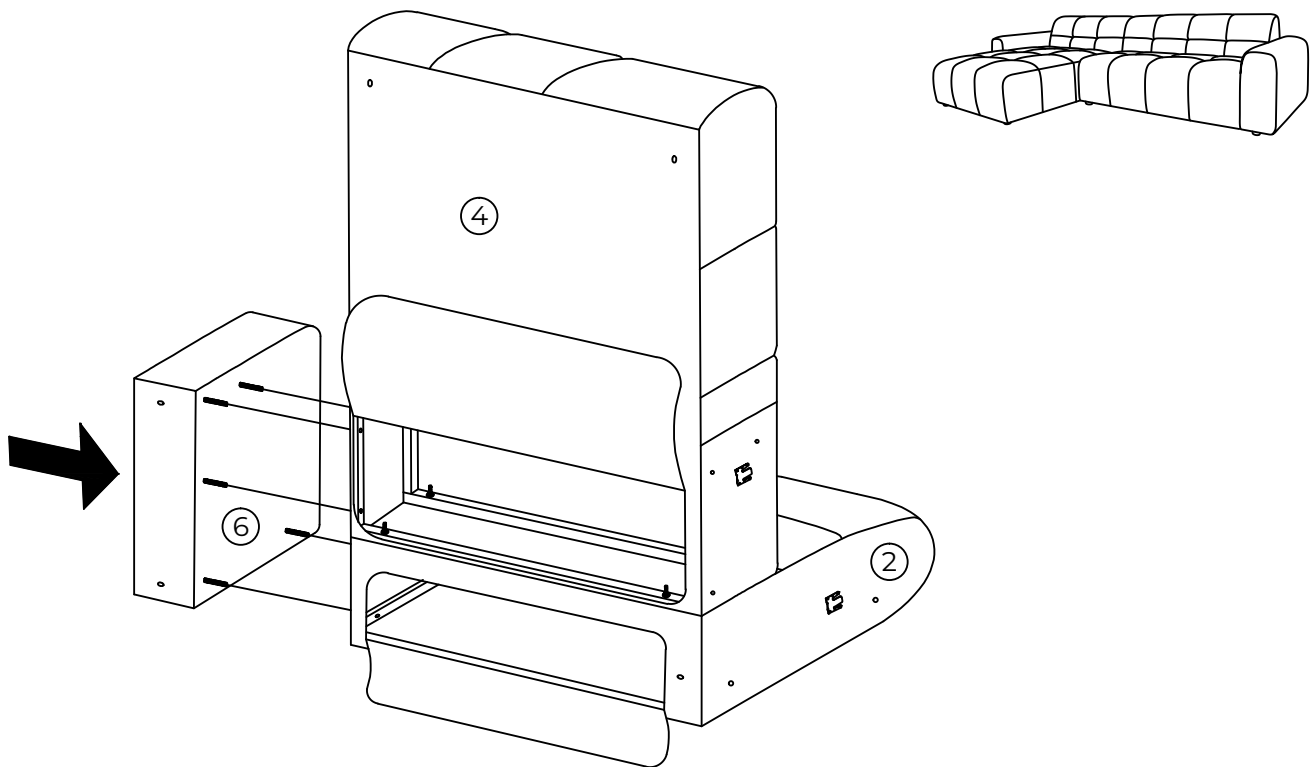
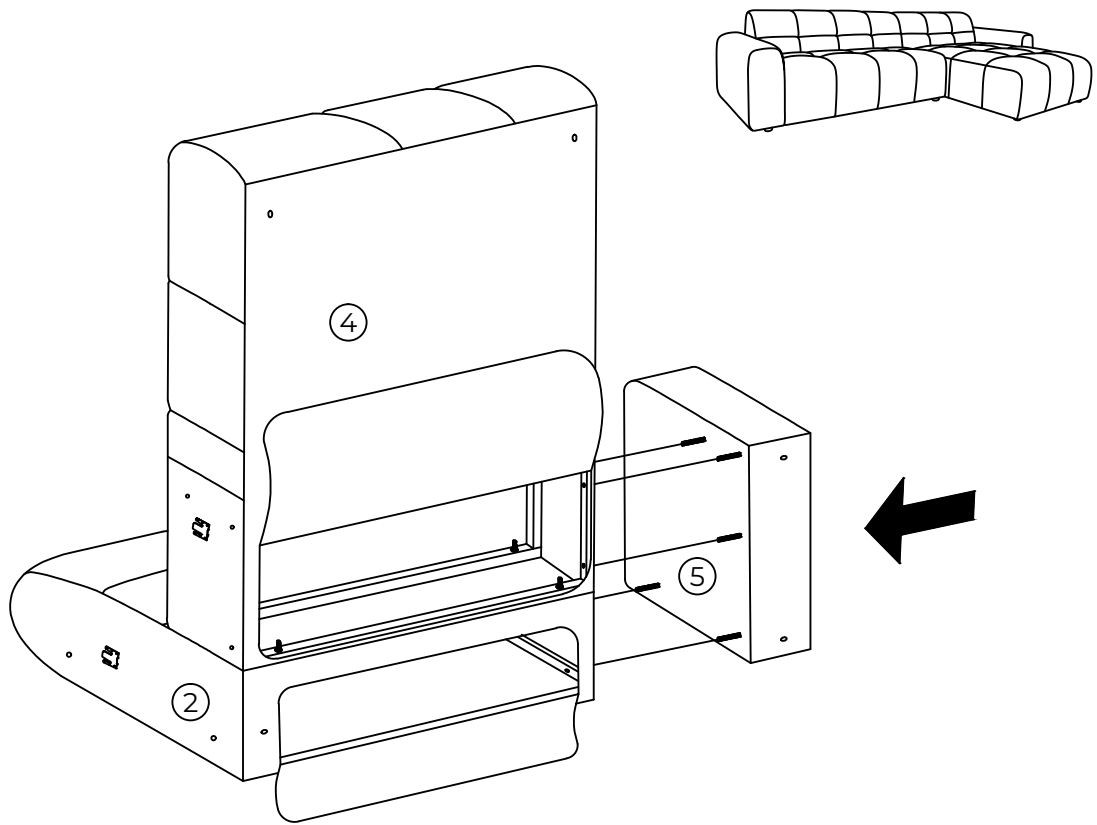


**TEMPLE &  
WEBSTER**

Damaged or missing parts? Or just need help?  
Contact us on [service@templeandwebster.com.au](mailto:service@templeandwebster.com.au)

# 15.

Install the armrest (5 or 6) on the seat frame (4) and back (2).

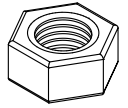


# 16.

Attach the armrest (5 or 6) on the seat frame (4) and sofa back (2) by using 5 x washer (C) and 5 x Nut (B). Tighten with Spanner (D).

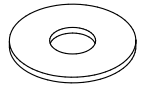
## You will need:

Bx5



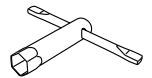
Nut M8/12

Cx5

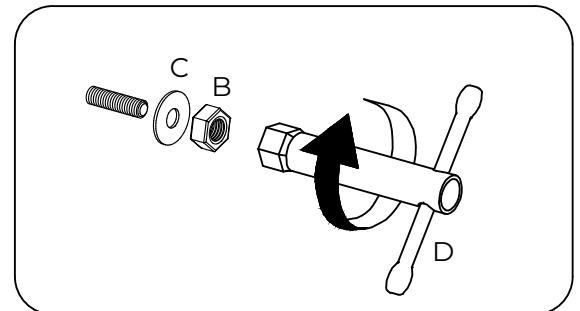
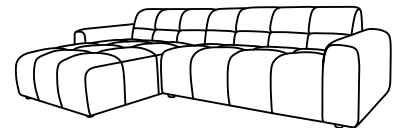
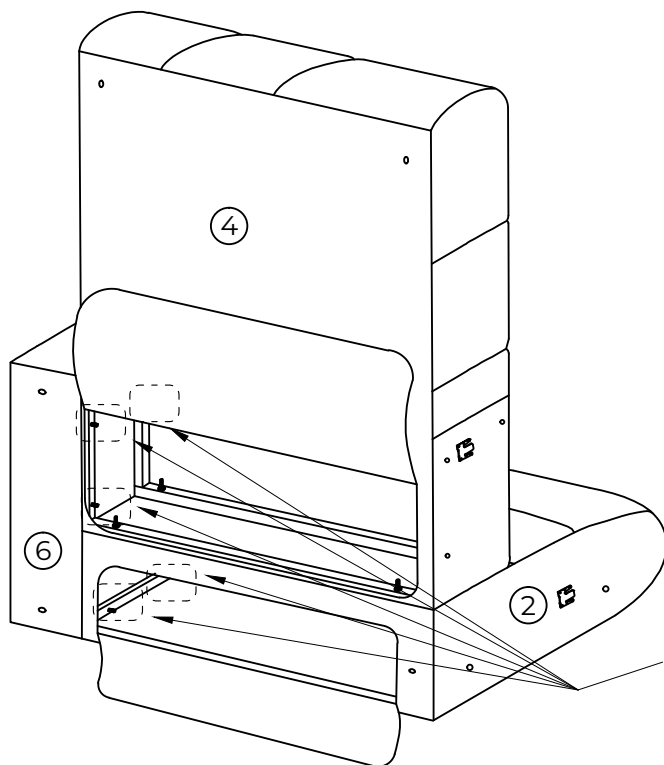
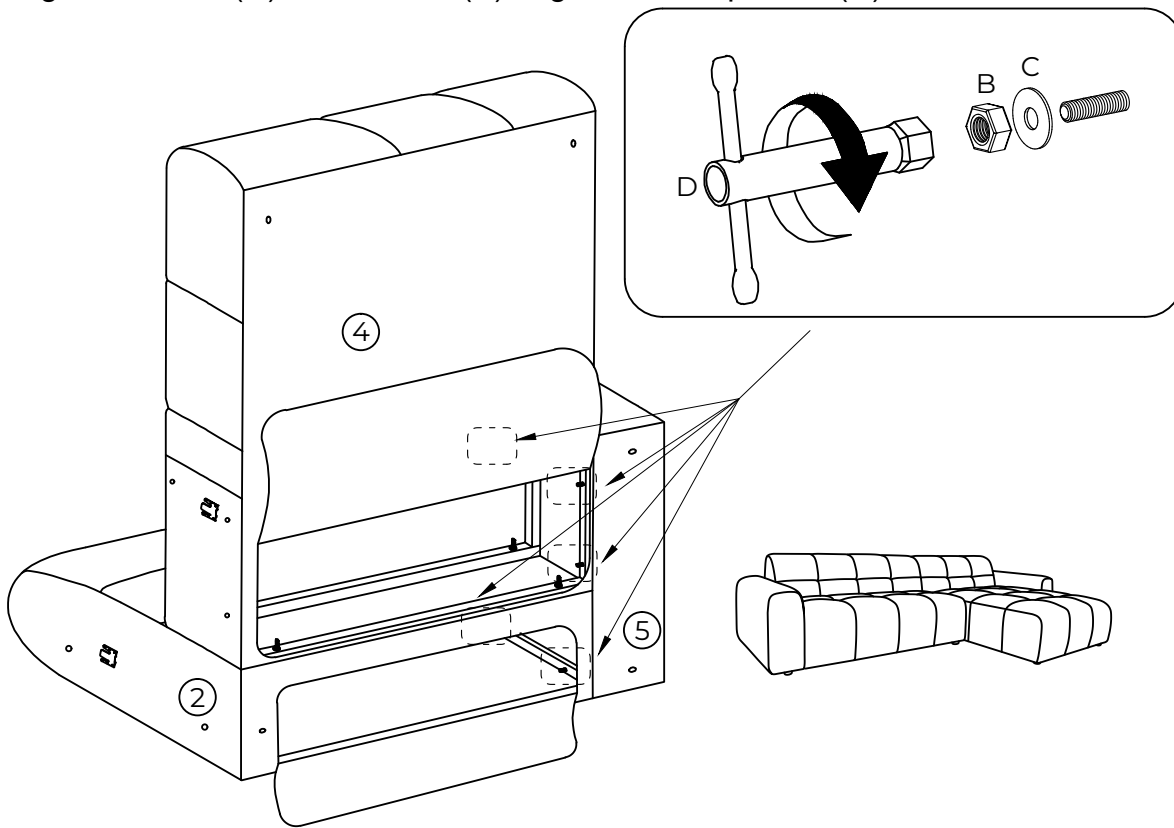


Washer  $\varnothing 9/\varnothing 25$

Dx1



Spanner 12

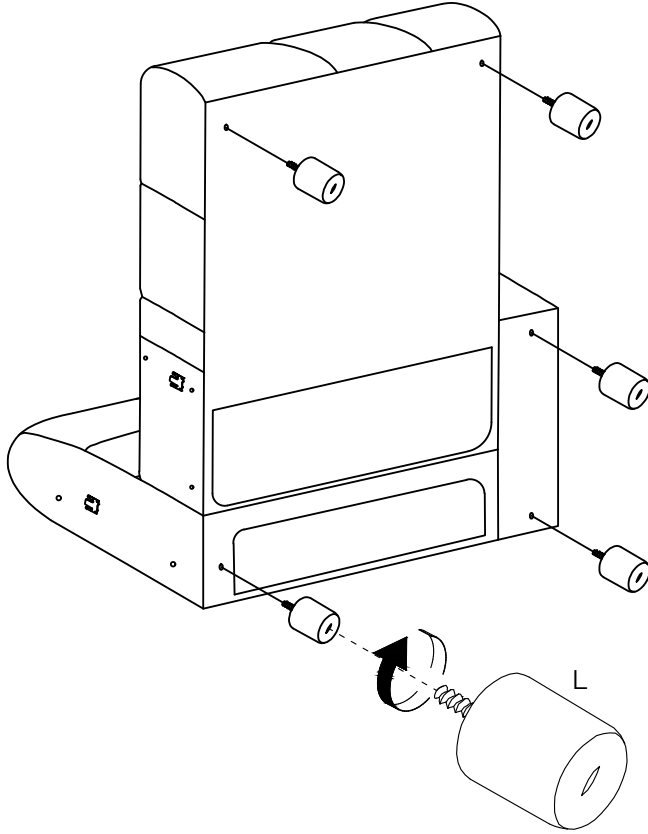


**TEMPLE &  
WEBSTER**

Damaged or missing parts? Or just need help?  
Contact us on [service@templeandwebster.com.au](mailto:service@templeandwebster.com.au)

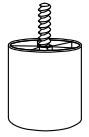
# 17.

Install 4 x plastic legs (L) on armrest, seat and back.

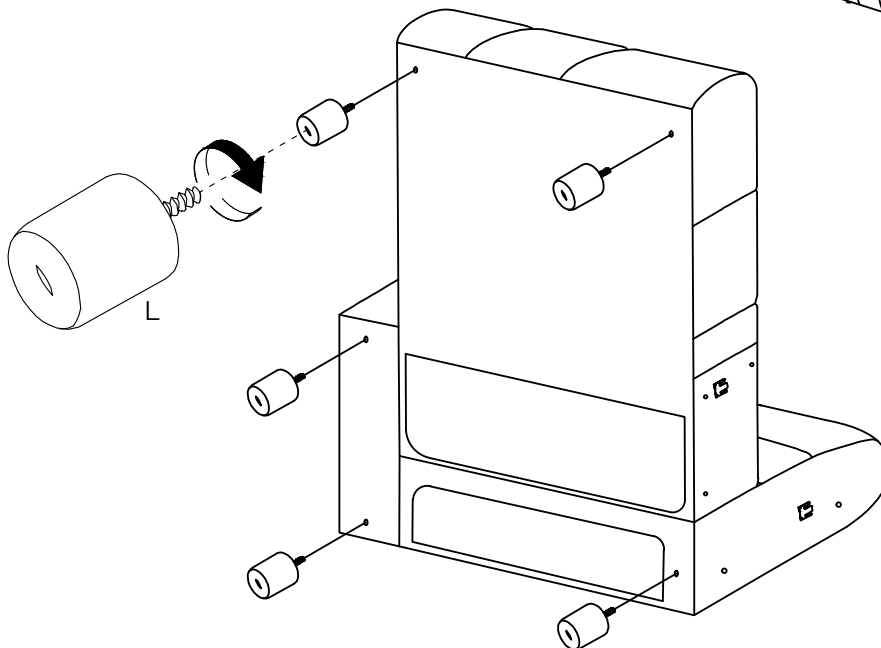
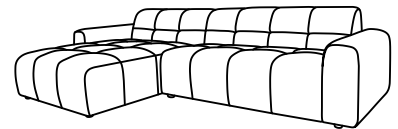
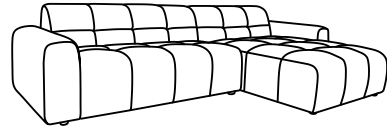


**You will need:**

Lx5



Leg  $\varnothing$ 50x50

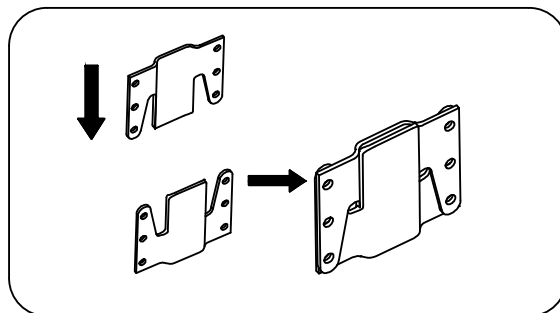
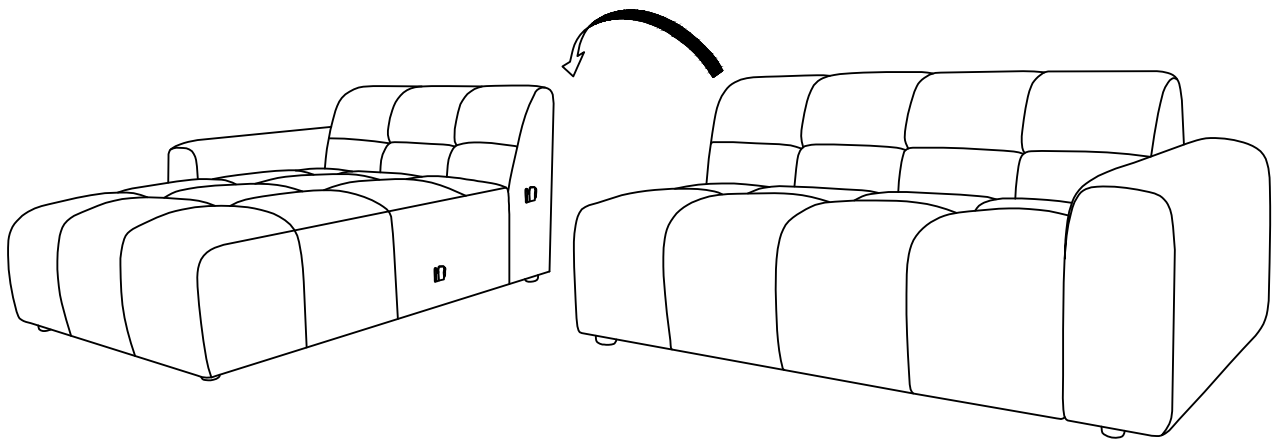
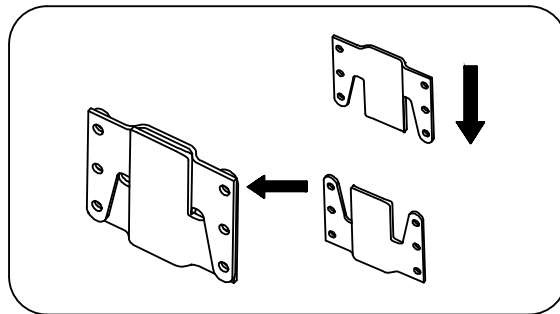
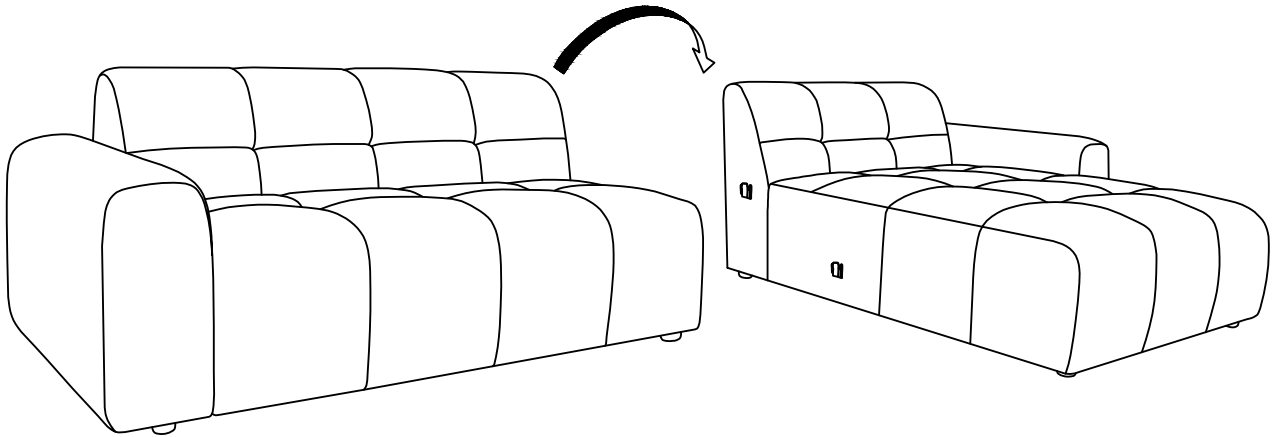


**TEMPLE &  
WEBSTER**

Damaged or missing parts? Or just need help?  
Contact us on [service@templeandwebster.com.au](mailto:service@templeandwebster.com.au)

# 18.

Attach the Chaise module with the Open sofa module.



**TEMPLE &  
WEBSTER**

Damaged or missing parts? Or just need help?  
Contact us on [service@templeandwebster.com.au](mailto:service@templeandwebster.com.au)

# 19.

Sofa assembly finished.

