

# TEMPLE & WEBSTER



**"Read these instructions and follow steps carefully to ensure you assemble the product correctly and avoid damages. Check that all parts and hardware have been provided before assembling the product. Place all contents on a clean, soft-flat surface to avoid scratching the product."**

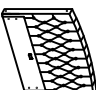







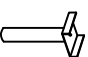
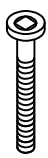


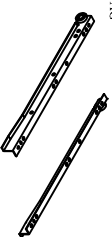

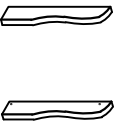



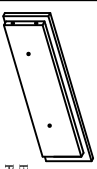
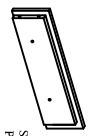
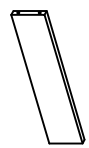





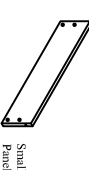

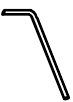


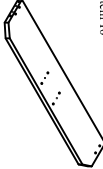
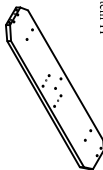
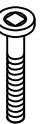
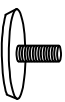








## CAUTION:

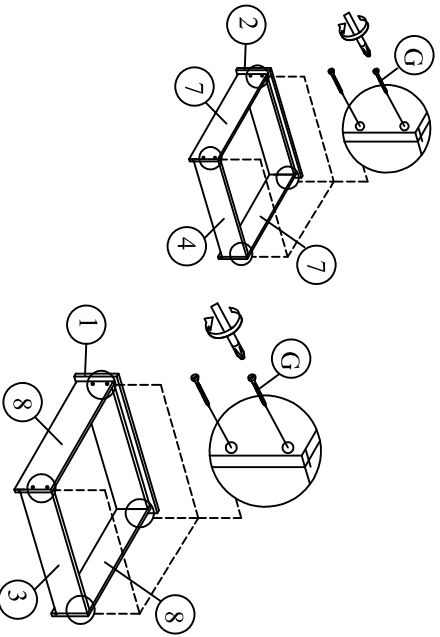
**"Only tighten bolts to 80% at first. Once all parts have been assembled, fully tighten all hardware. To prevent damage to threads, do not use a power tool and do not overtighten bolts. Use two people to lift and turn the product when assembling. Do not attempt with one person and do not roll onto legs. Keep all hardware and small parts away from children."**

## Assembly Instruction

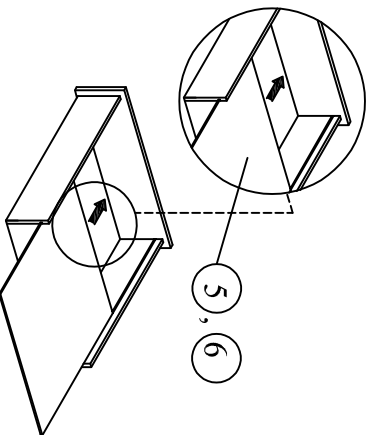
MODEL : CFAUDBDC  
CFAUDBOW

Item AA  Headboard 1 pc	Item AB  Footboard 1 pc	Item AC  Side Rail 2 pcs	Item A  Plastic Dowel ( 8 x 25 ) 2 pcs	Item B  JCBC W M6 x 40 48 pcs	Item C  JCBC M6 x 40 44 pcs
Item AD  Slat 8 pcs	Item AE  Center Rail 8 pcs	Item AF  Support leg 2 pcs	Item D  JCBC M6 x 60 32 pcs	Item E  CSK M3.5 x 16 mm 1 pc	Item F  CSK M4 x 32 mm 10 pcs
Item AG  Drawer Slide 500 8 pcs	Item AH  Drawer Slide 500 8 pcs	Item AI  Side Wing 2 pcs	Item G  CSK M4 x 50mm 10 pcs	Item H  CSK M4 x 25 mm 10 pcs	Item I  Mini Fix Bolt 52 pcs
Item 1  Big Drawer Front Panel 2 pcs	Item 2  Small Drawer Front Panel 2 pcs	Item 3  Big Drawer Back Panel 2 pcs	Item J  Mini Fix Housing 16 pcs	Item K  Mini Fix Cap 1 pc	Item L  Power Nail % 14 pcs
Item 5  Big Drawer Bottom Panel 2 pcs	Item 6  Small Drawer Bottom Panel 2 pcs	Item 7  Small Drawer Side Panel 4 pcs	Item M  White Nail Leg 16 pcs	Item N  Allen Key 65 mm 1 pc	Item O  M6 Flat Washer 14 pcs
Item 9  Small Drawer Bottom Panel 8 pcs	Item 10  Small Drawer Bottom Panel 1 pc	Item 11  Small Drawer Side Panel 1 pc	Item P  JCBC M6 x 50 4 pcs	Item Q  Adjuster 2 pcs	Item R  JCBC M6 x 30 8 pcs
Item 13  Small Drawer Bottom Panel 2 pcs	Item 14  Small Drawer Bottom Panel 1 pc	Item 15  Small Drawer Side Panel 1 pc			
Item 17  Small Drawer Bottom Panel 1 pc	Item 18  Small Drawer Bottom Panel 1 pc				

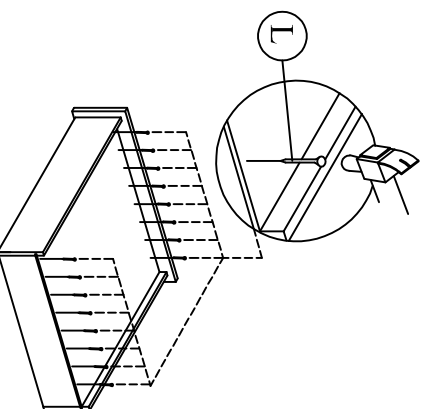
**Step 1** The way to assemble the big and small drawers are the same. Please follow Step 1 up to Step 5.



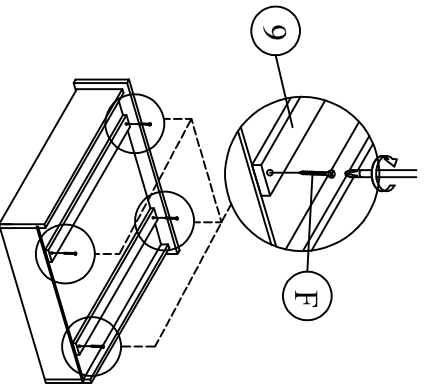
**Step 2**



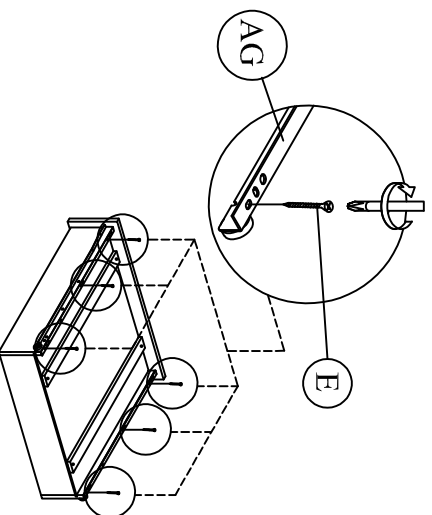
**Step 3**



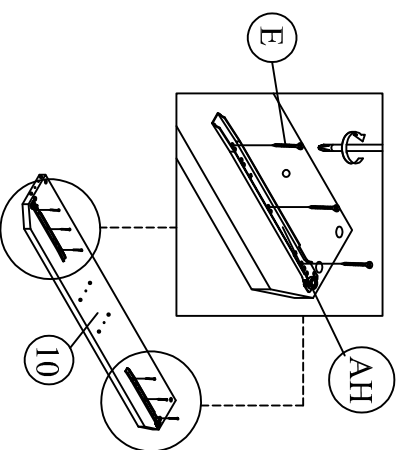
**Step 4**



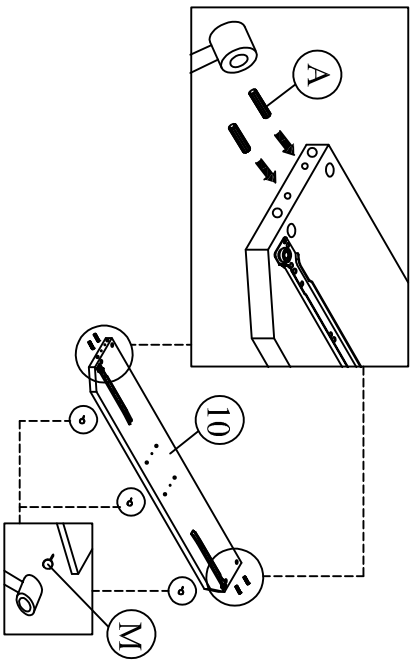
**Step 5**



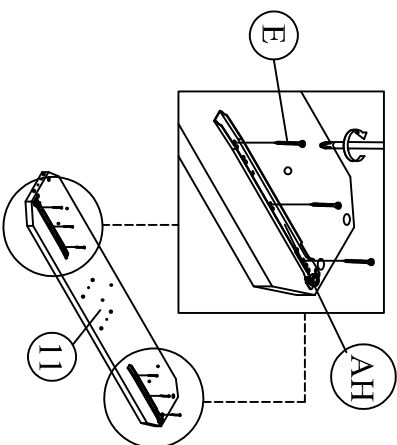
**Step 6**



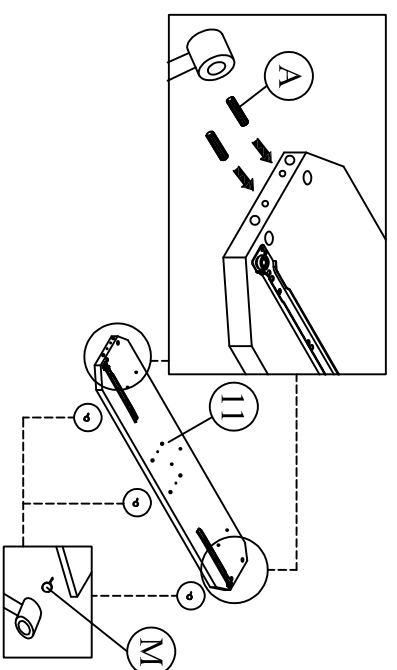
Step 7



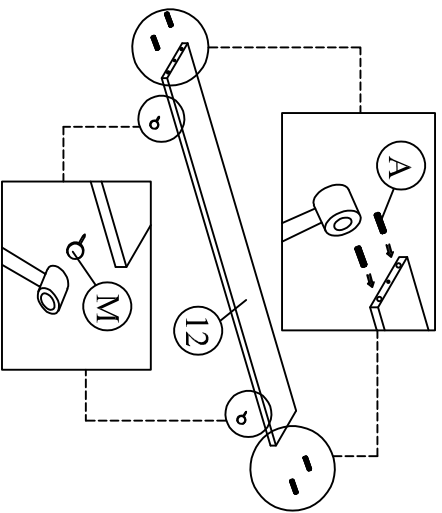
Step 8



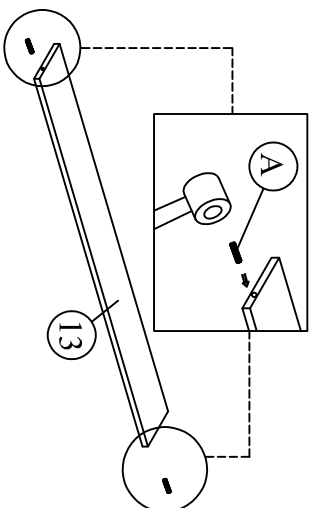
Step 9



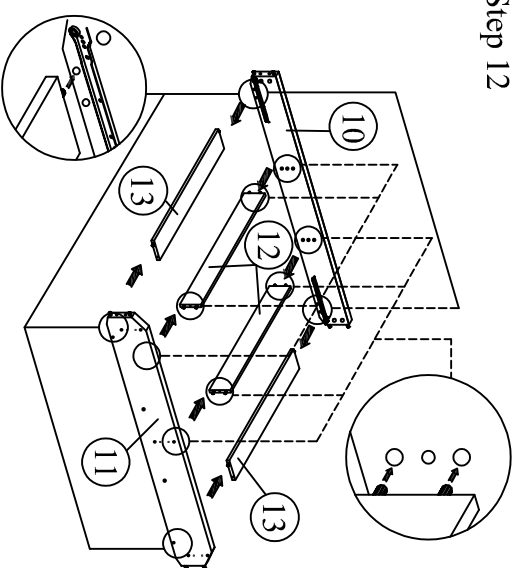
Step 10



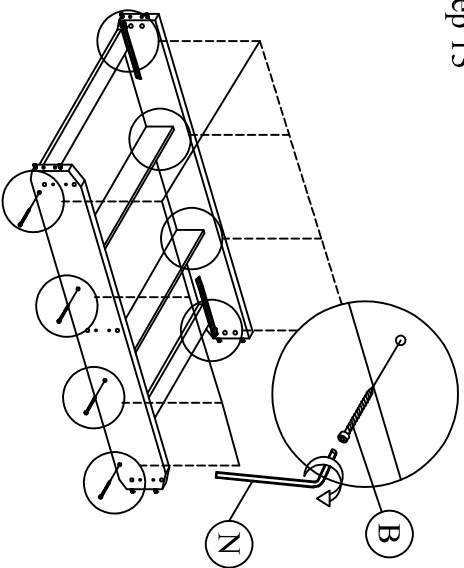
Step 11



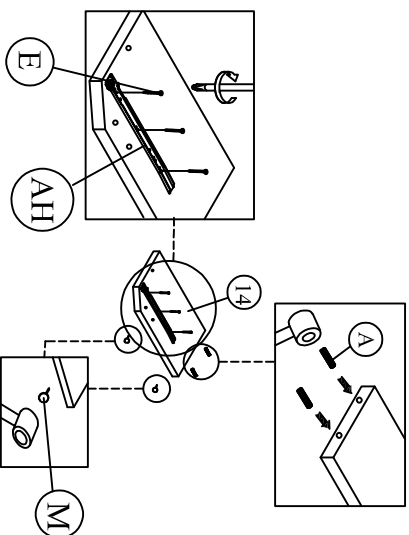
Step 12



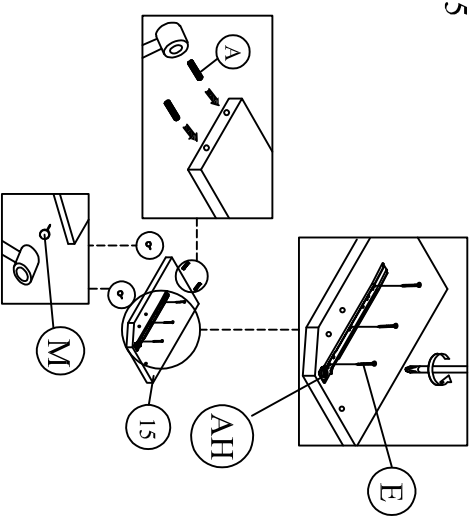
Step 13



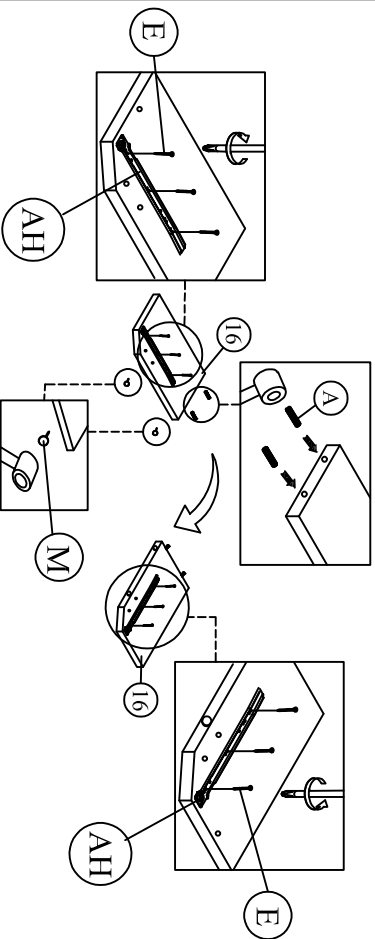
Step 14



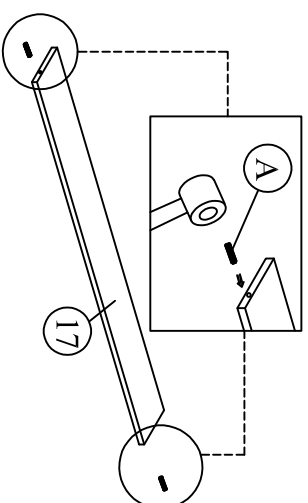
Step 15



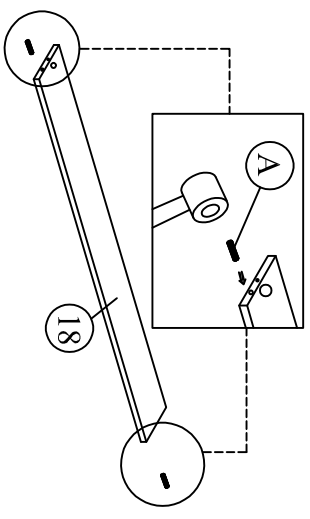
Step 16 Attach (AH) to (16) and tighten it with (E), the flip (AH) to the other side and repeat the same step.



Step 17

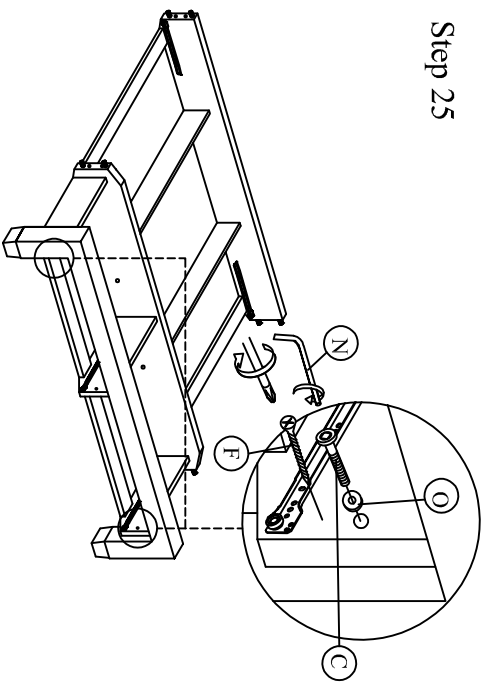


Step 18

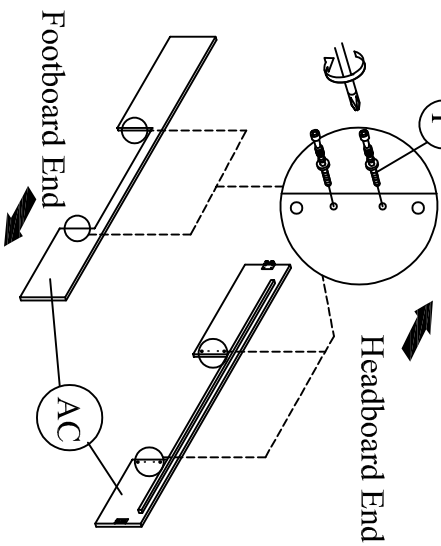




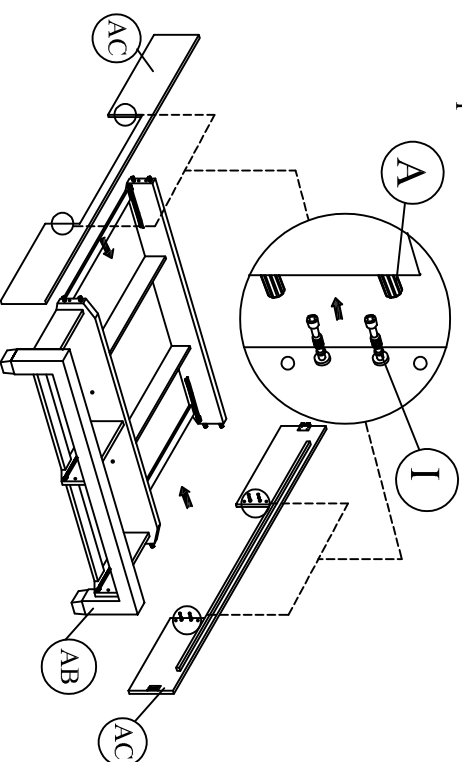
Step 25



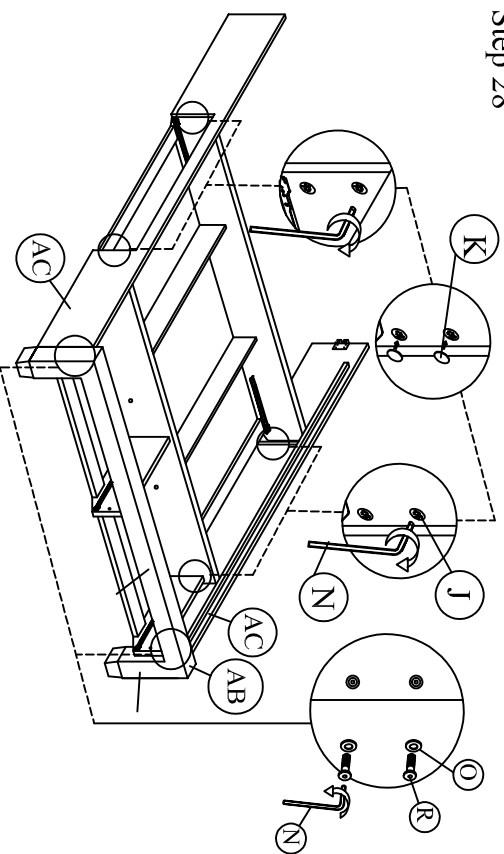
Step 26



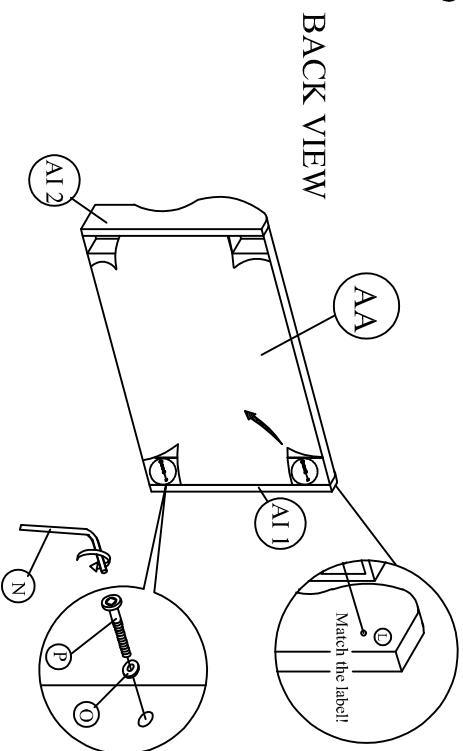
Step 27



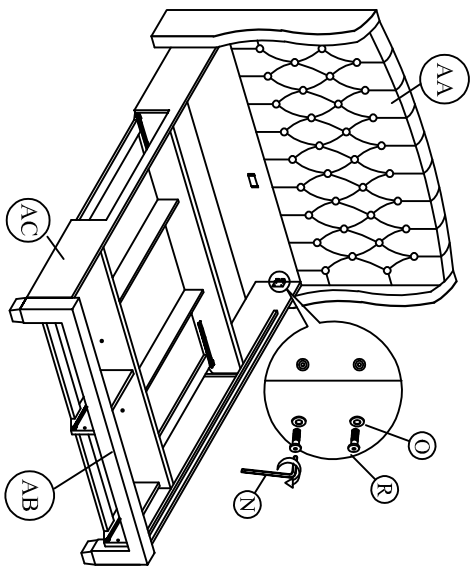
Step 28



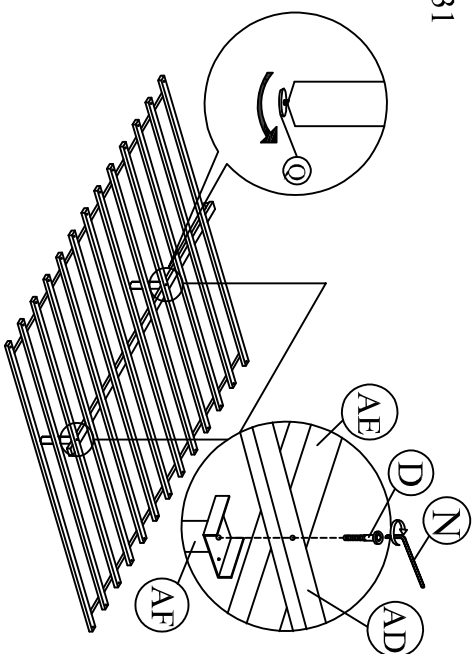
Step 29



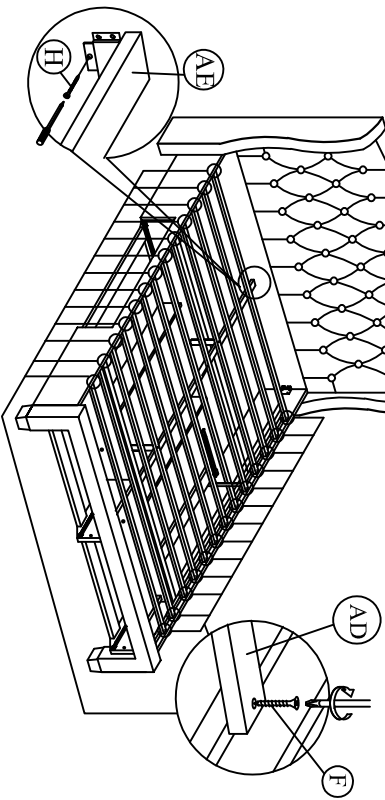
Step 30



Step 31



Step 32



Step 33

