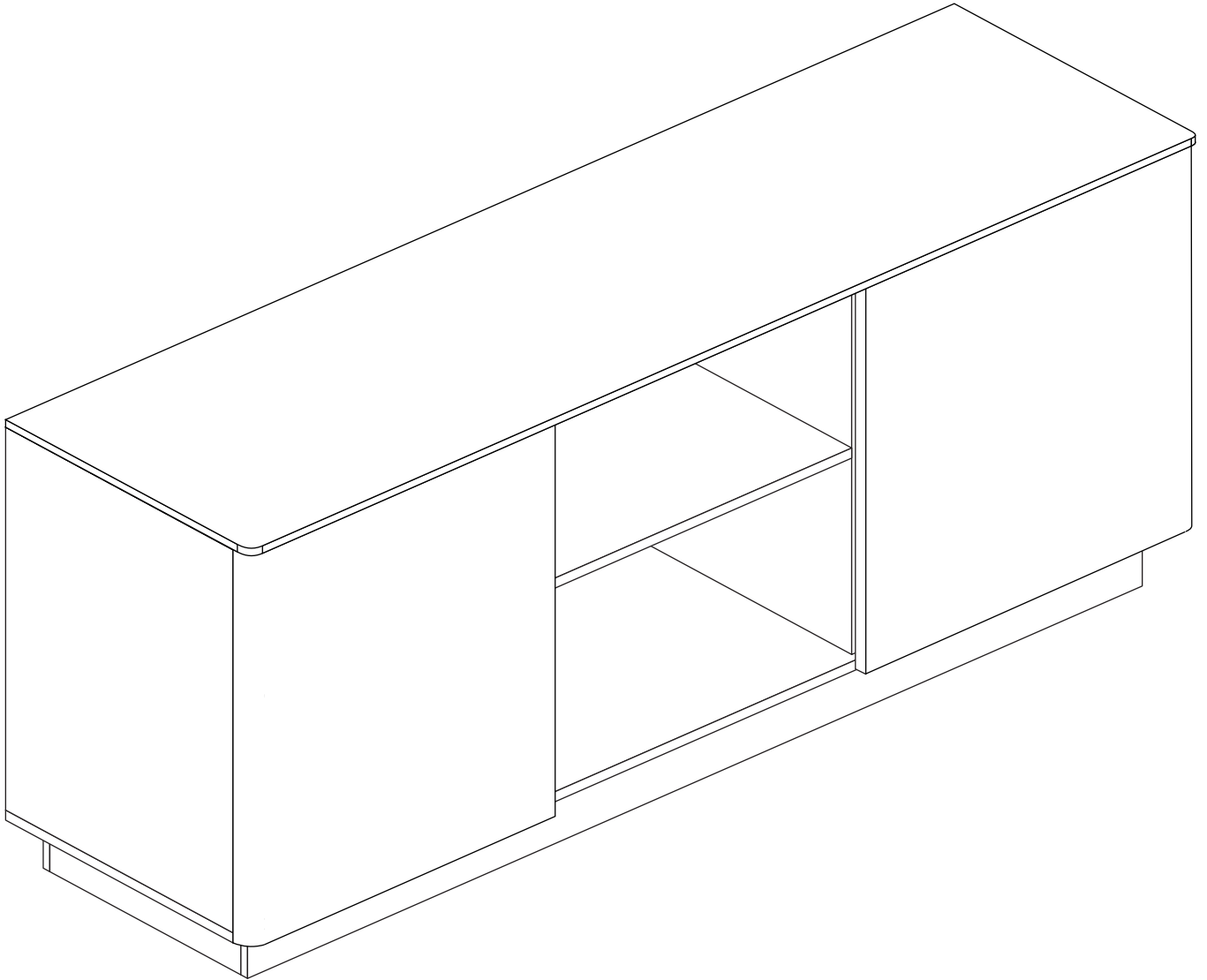


**TEMPLE &
WEBSTER**

ASSEMBLY
INSTRUCTIONS



**Brianna Curved Edge
Entertainment Unit**

Read first, enjoy forever

Assembly tips

- Assemble your product on a level surface and lay something soft underneath to protect potential floor damage.
- Don't over tighten screws. During assembly we recommend tightening to approximately 70% tightness. Only tighten hardware 100% when fully assembled.
- Keep children away from assembly area as bags and small parts can pose a choking hazard.
- Make sure you have enough space to layout parts before starting. We recommend assembling your item in its final location.
- Do not stand on or put weight on the parts as it may warp or damage product.
- We do not recommend the use of drills or power tools (unless specified) as it may damage the product or hardware. Use hand held screwdrivers only.
- It is best that two people assemble the product as some products may be too heavy for one person. Check this booklet for guidance.

Safety, care and maintenance

- ALWAYS secure it with an anchor device
- Never let children climb or hang on drawers, doors or shelves.
- NEVER open more than one drawer at a time
- Place heavy items down low
- For advice on suitable fastening devices, contact your local specialized dealer.
- To protect your product and your home, we recommend using coasters, placemats, rugs and other protective items.
- Screws may loosen over time. We recommend setting a reminder to tighten up every six months.
- Remove any liquid spills immediately using a clean cloth with mild detergent. Do not use bleach or abrasive cleaners. Always test any cleaning agent in an inconspicuous spot first to know if it is suitable.

Recycling

We hope that you love your product forever, but we know situations change. In the event that you wish to dispose of your product please consider some creative ways to give it a new home:

- If it's still in great shape, sell it on your favourite online marketplace!
- Give it a second life by affording it a fresh coat of paint.
- If you must dispose of it, why not donate it to your local charity or shelter for someone else to enjoy.

Please dispose of this product and packaging responsibly and recycle where possible. Scan the QR code to read more about Temple and Webster's commitment to a more sustainable future.



Important safety instructions

DANGER!

Children have died from furniture tip over.

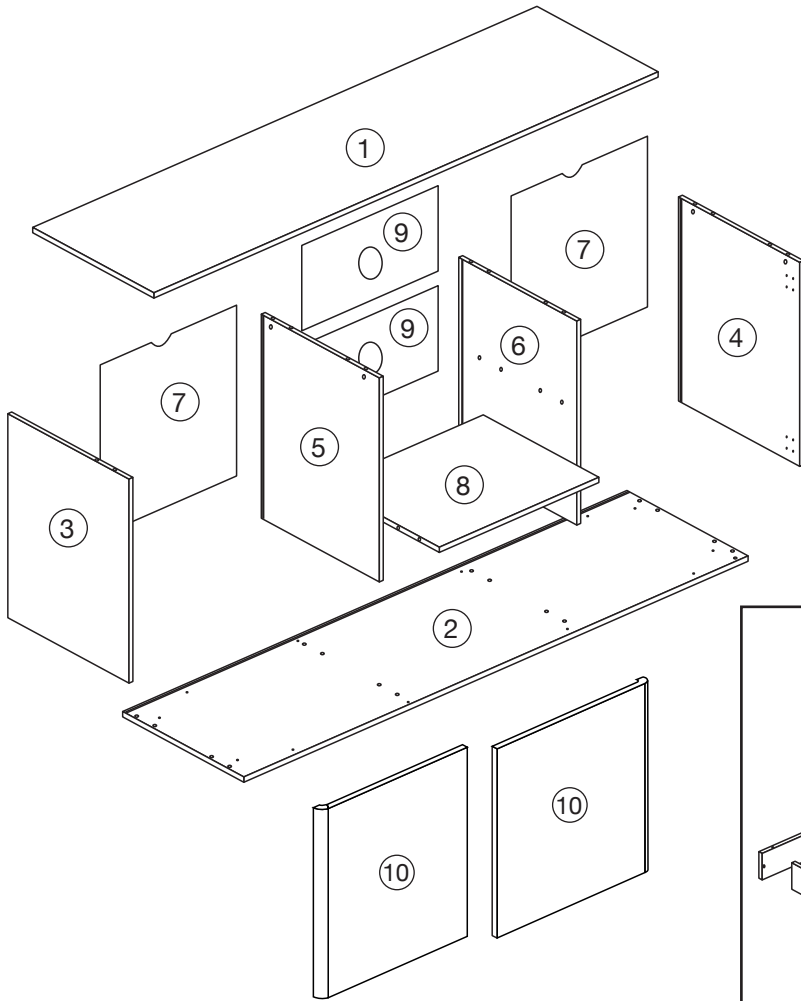
Toppling Hazard Warning

- ALWAYS secure items with an anchor device
- For safety reasons, we recommend you follow the provided instructions
- When installed properly, the provided hardware may prevent the unit from tipping over unexpectedly
- NEVER let children climb or hang on drawers, doors or shelves.
- NEVER open more than one drawer at a time
- Place heavy items down low
- For advice on suitable fastening devices, contact your local specialized dealer



Parts list

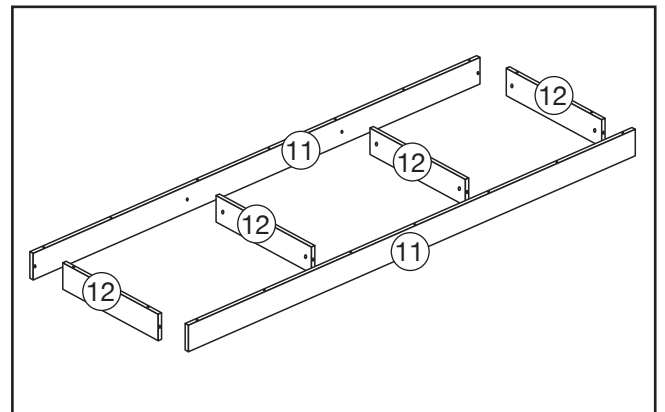
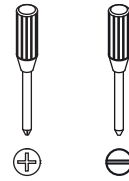
ASSEMBLY INSTRUCTIONS BRIANNA CURVED EDGE - ENTERTAINMENT UNIT UBBRTVWO

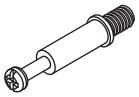



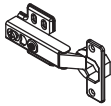

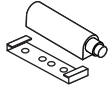


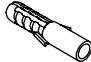




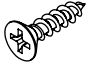


NUMBER OF PEOPLE REQUIRED FOR ASSEMBLY:

2

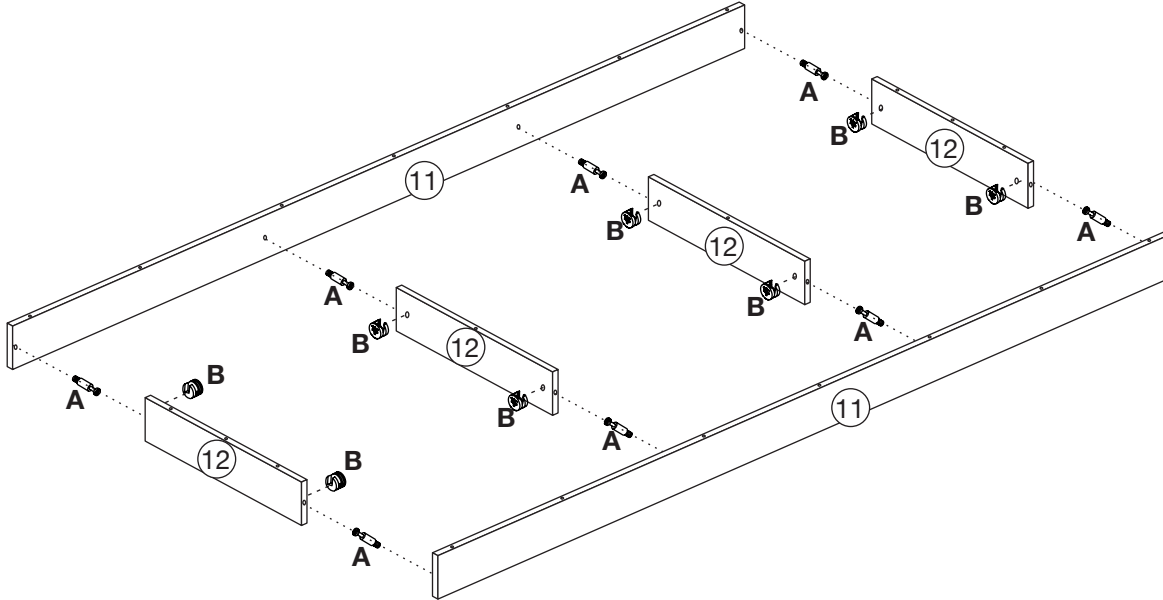
TOOLS REQUIRED FOR ASSEMBLY:



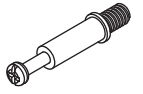
A  20 PCS	B  20 PCS	C  28 PCS	D  10 PCS	E  4 PCS	F  24 PCS	G  2 PCS	H  12 PCS
I  2 PCS	J  2 PCS	K  2 PCS	L  12 PCS	M  2 PCS	N  6 PCS	O  12 PCS	

1.

Insert quickfit screws (**A**) to part **11**.
Insert cam locks (**B**) to part **12**.
Attach parts **11** to parts **12**, as shown.
Turn cam lock clockwise to tighten.



You will need:



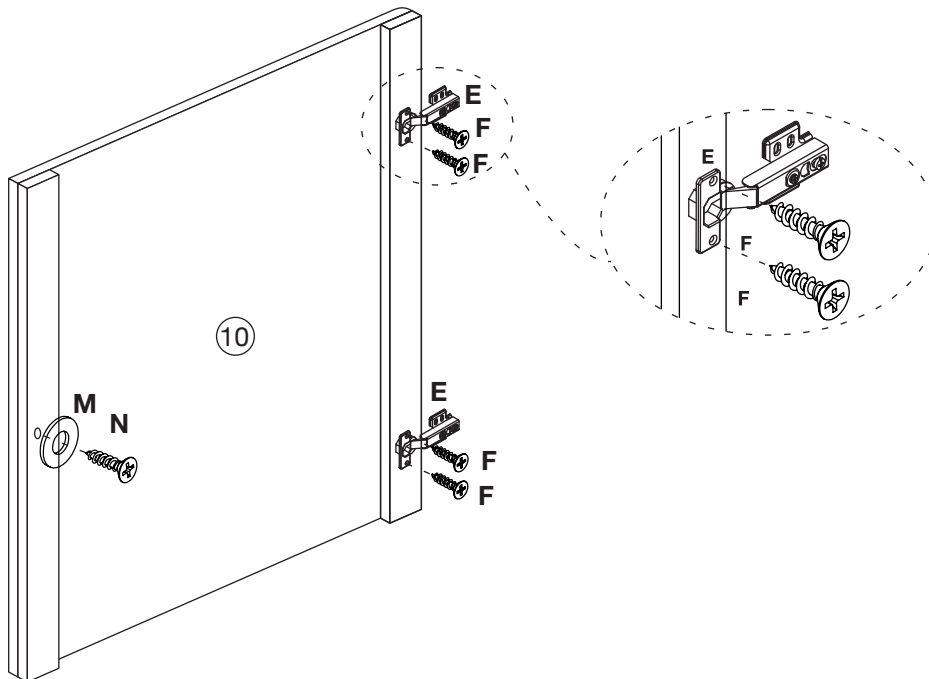
8 Quickfit Screws



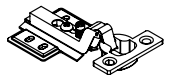
8 Cam Locks

2.

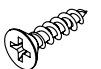
Fix washer (**M**) to part **10** using screws (**N**).
Fix hinges (**E**) to part **10** using screws (**F**), as shown.



You will need:



4 Screws



8 Hinges



2 Screws



2 Washers

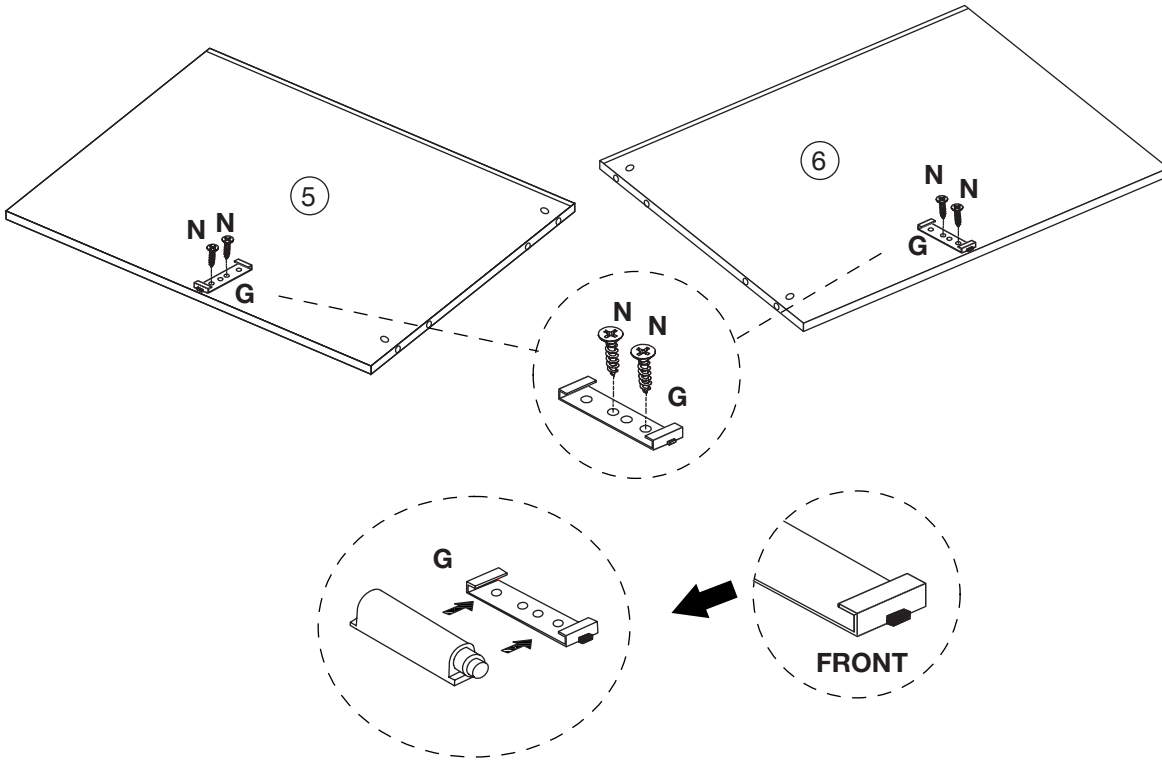
x2

**TEMPLE &
WEBSTER**

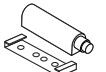
Damaged or missing parts? Or just need help?
Contact us on service@templeandwebster.com.au

3.

Fix magnetic catch (**G**) to parts **5** and **6** using screws (**N**), as shown.



You will need:



2 Hinges



4 Screw

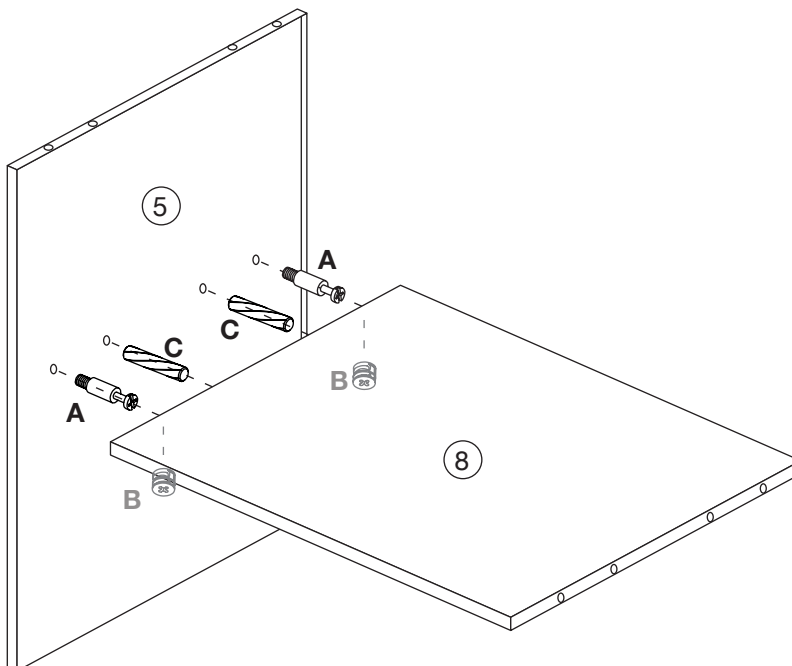
4.

Insert quickfit screws (**A**) and wooden dowels (**C**) to part **5**.

Insert cam locks (**B**) to part **8**.

Fix part **8** to part **5**, as shown.

Turn cam lock clockwise to tighten.



You will need:



2 Quickfit Screws



2 Cam Locks



2 Wooden Dowels

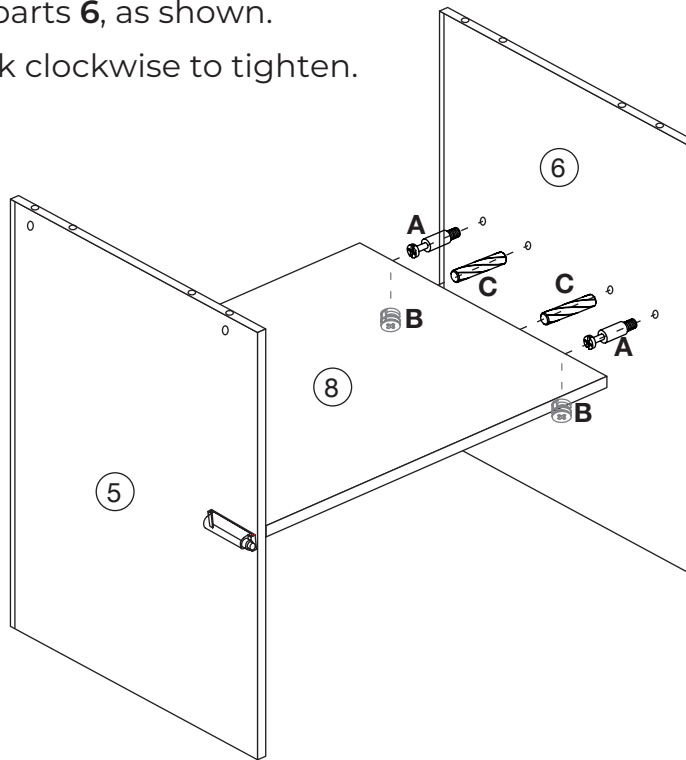
5.

Insert quickfit screws (A) and wooden dowels (C) to part 6.

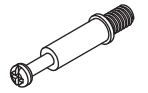
Insert cam locks (B) to part 8.

Fix part 8 to parts 6, as shown.

Turn cam lock clockwise to tighten.



You will need:



2 Quickfit Screws



2 Cam Locks

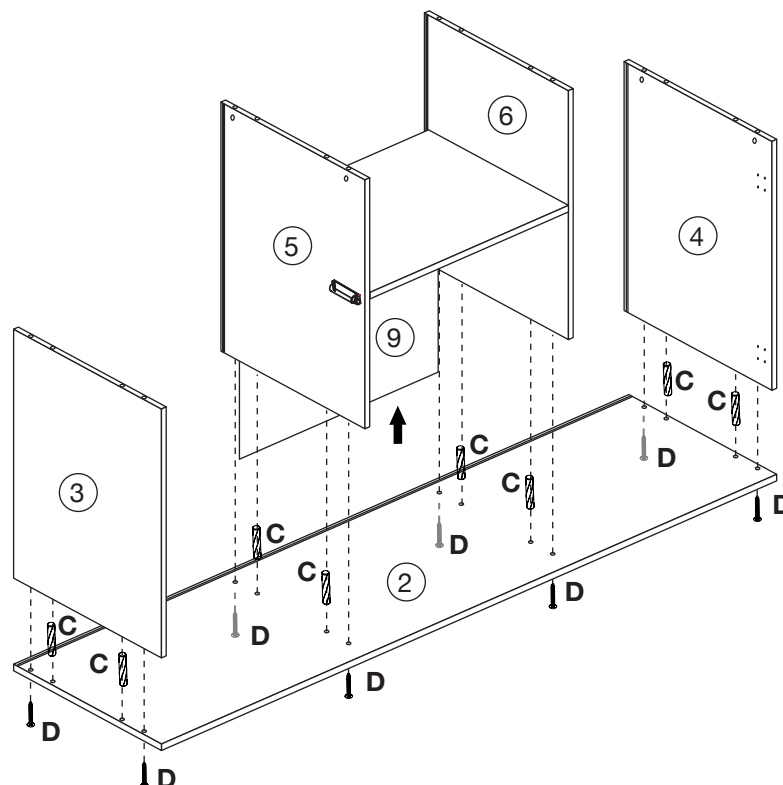


2 Wooden Dowels

6.

Insert wooden dowels (C) to parts 3, 4, 5 and 6.

Fix part 2 to parts 3, 4, 5 and 6 using screws (D), as shown.



You will need:



8 Wooden Dowels

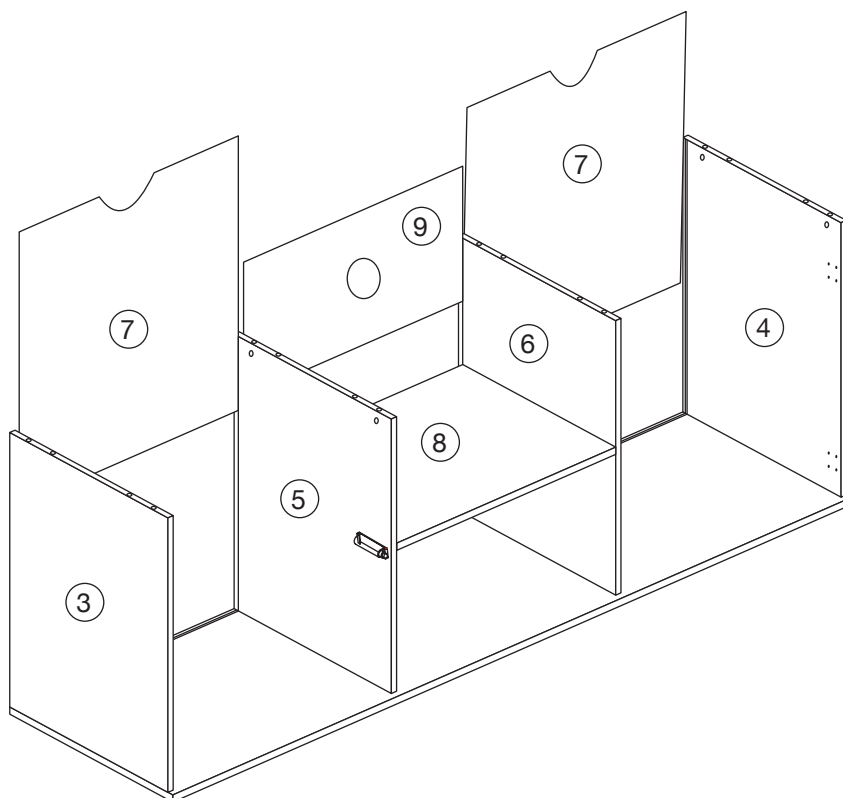


8 Screws

7.

Insert part **9** into the grooves between parts **5**, **6** and **8**.

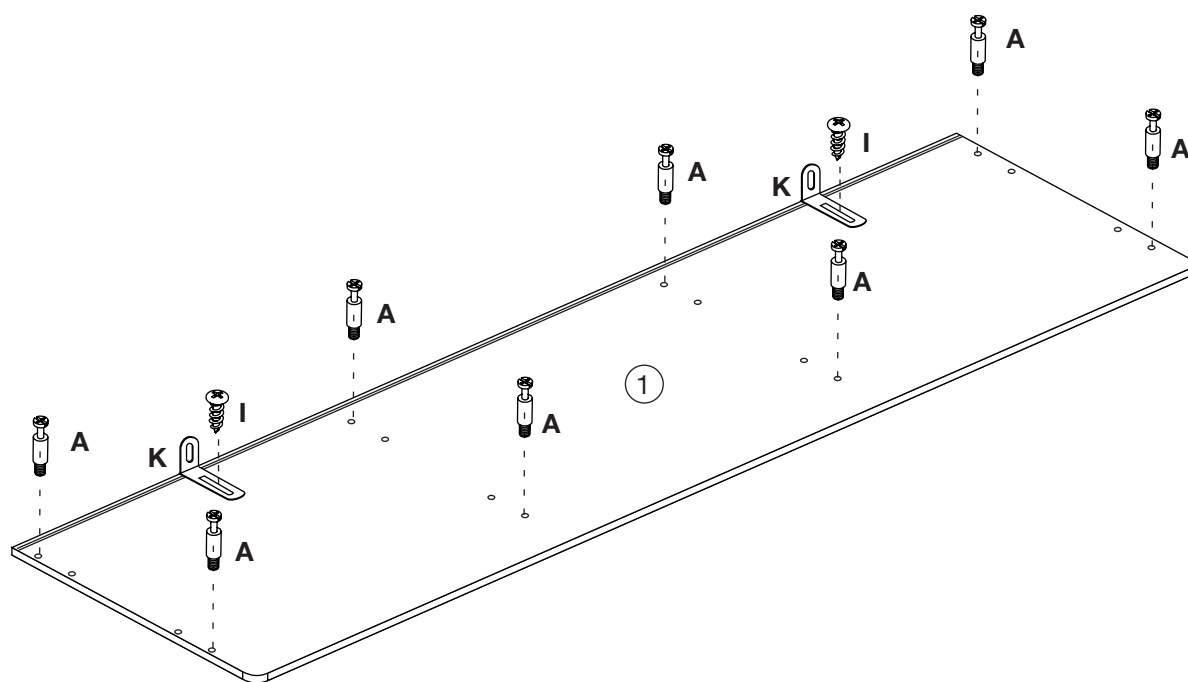
Insert part **7** into the grooves between parts **3**, **4** and **2**, as shown.



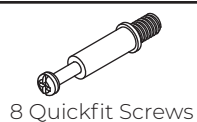
8.

Insert quickfit screws (**A**) to part **1**.

Fix wall brackets (**K**) to part **7** using screws (**I**), as shown.



You will need:



8 Quickfit Screws



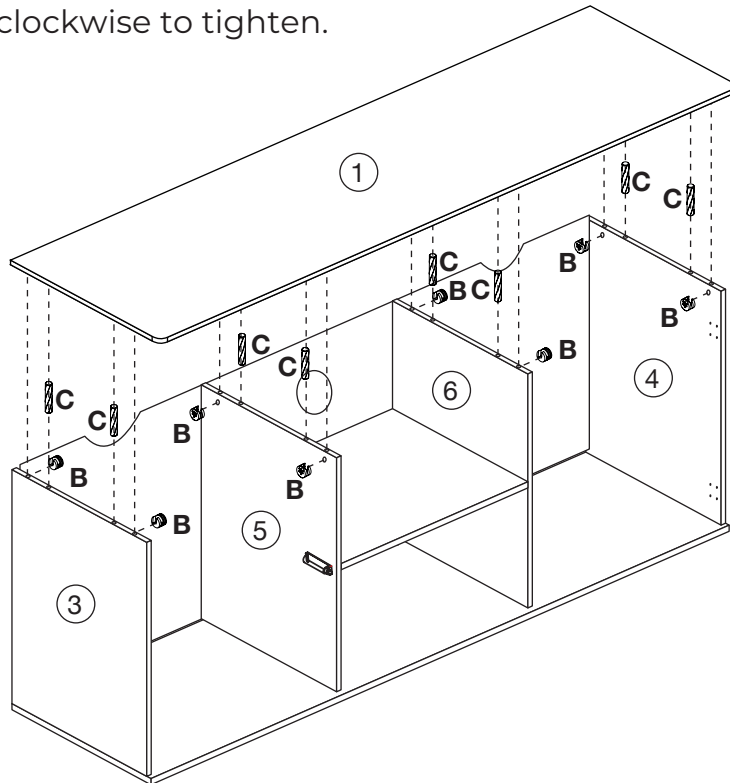
2 Wall Bracket



2 Wooden Dowels

9.

Insert cam locks (**B**) and wooden dowels (**O**) to parts **1, 2** and **3**.
 Attach part **1** to parts **3, 4, 5, 6, 7** and **9**, as shown.
 Turn cam lock clockwise to tighten.



You will need:



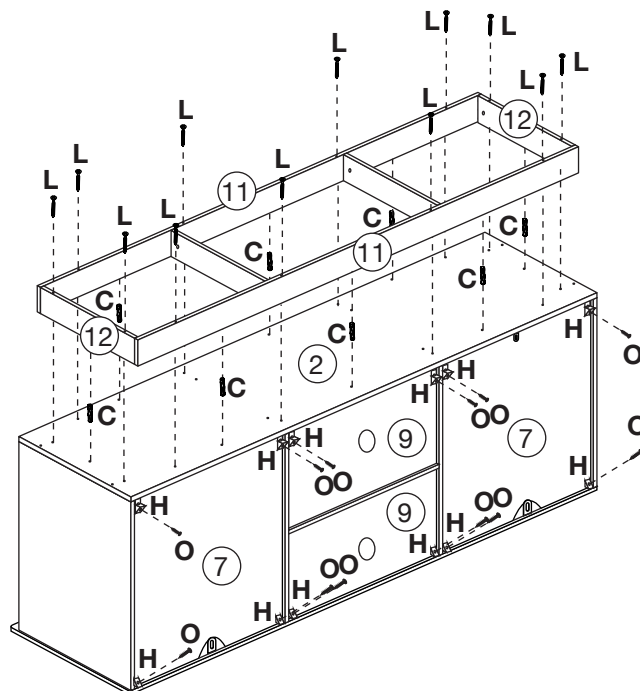
8 Cam Locks



8 Wooden Dowels

10.

Insert wooden dowels (**C**) part **2**.
 Fix the assembled bottom part to part **2** to part **5** using screws (**L**).
 Fix wedges (**H**) and screws (**O**) to parts **7** and **9**, shown.



You will need:



8 Wooden Dowels



12 Wedges



12 Screws



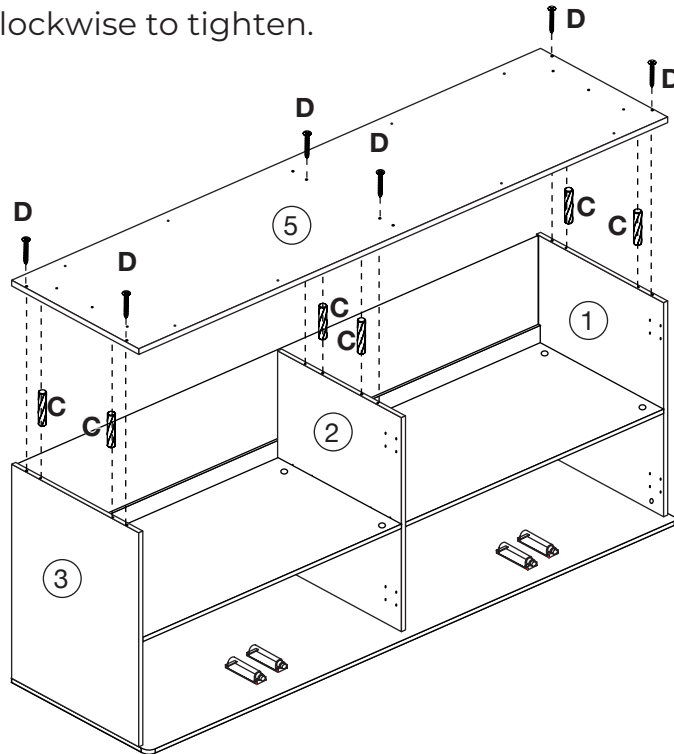
12 Screws

11.

Insert wooden dowels (C) parts 1, 2 and 3.

Attach part 5 to parts 1, 2 and 3 using screws (D), as shown.

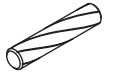
Turn cam lock clockwise to tighten.



You will need:



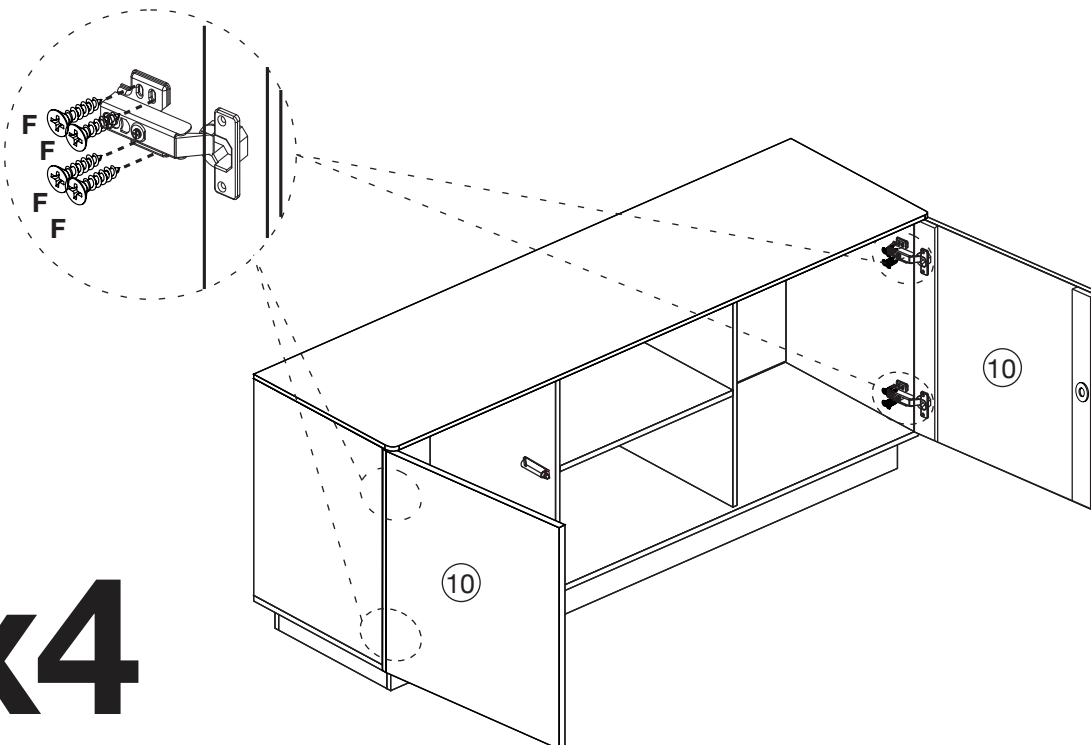
6 Screws



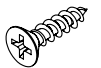
6 Wooden Dowels

12.

Fix parts 10 to assembled unit using screws (F), as shown.



You will need:



16 Screws

x4

TEMPLE &
WEBSTER

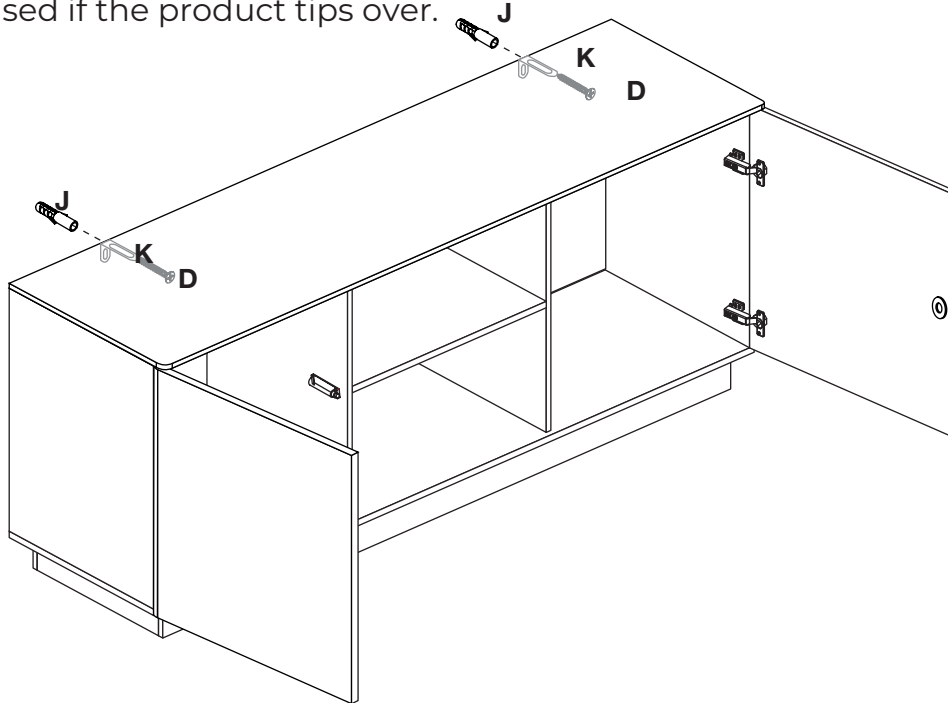
Damaged or missing parts? Or just need help?
Contact us on service@templeandwebster.com.au

13.

For extra stability, it is recommended that you fix your chest to the wall using the additional hardwares **(D and J)**, as shown.

Screw **(D)** is fixed through the wall bracket **(K)** and into the wall plug **(J)**.

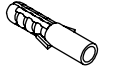
Should you choose not to affix the product to the wall, serious injury may be caused if the product tips over.



You will need:

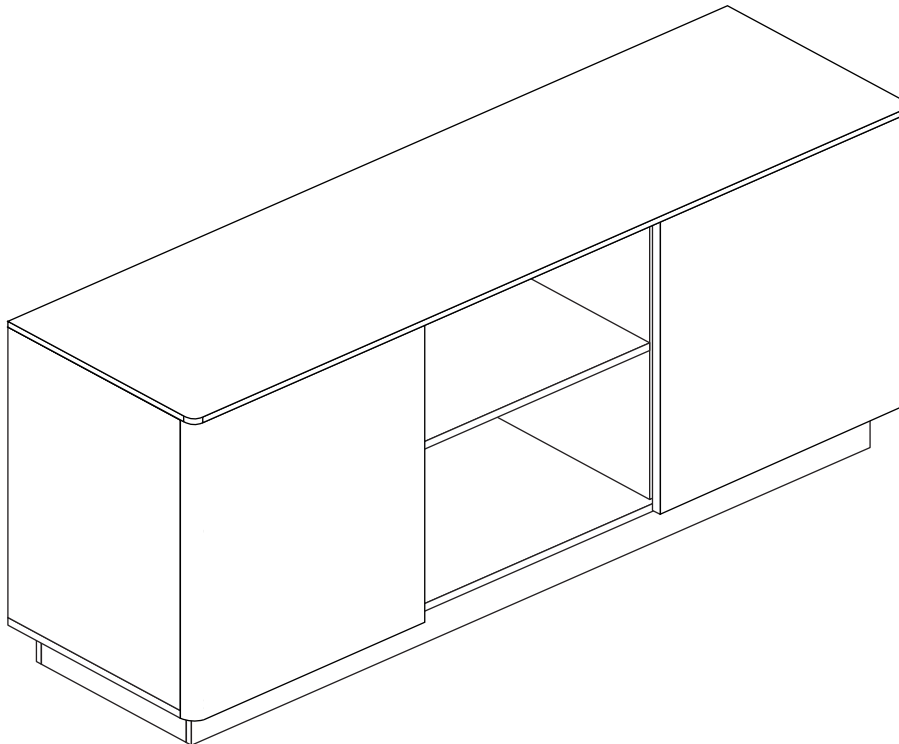


2 Screw



2 Wall Plug

14.



Your Entertainment Unit is ready for use.

Maximum recommended weight is 5kg per drawer and 15kg on top.

**TEMPLE &
WEBSTER**

Damaged or missing parts? Or just need help?
Contact us on service@templeandwebster.com.au