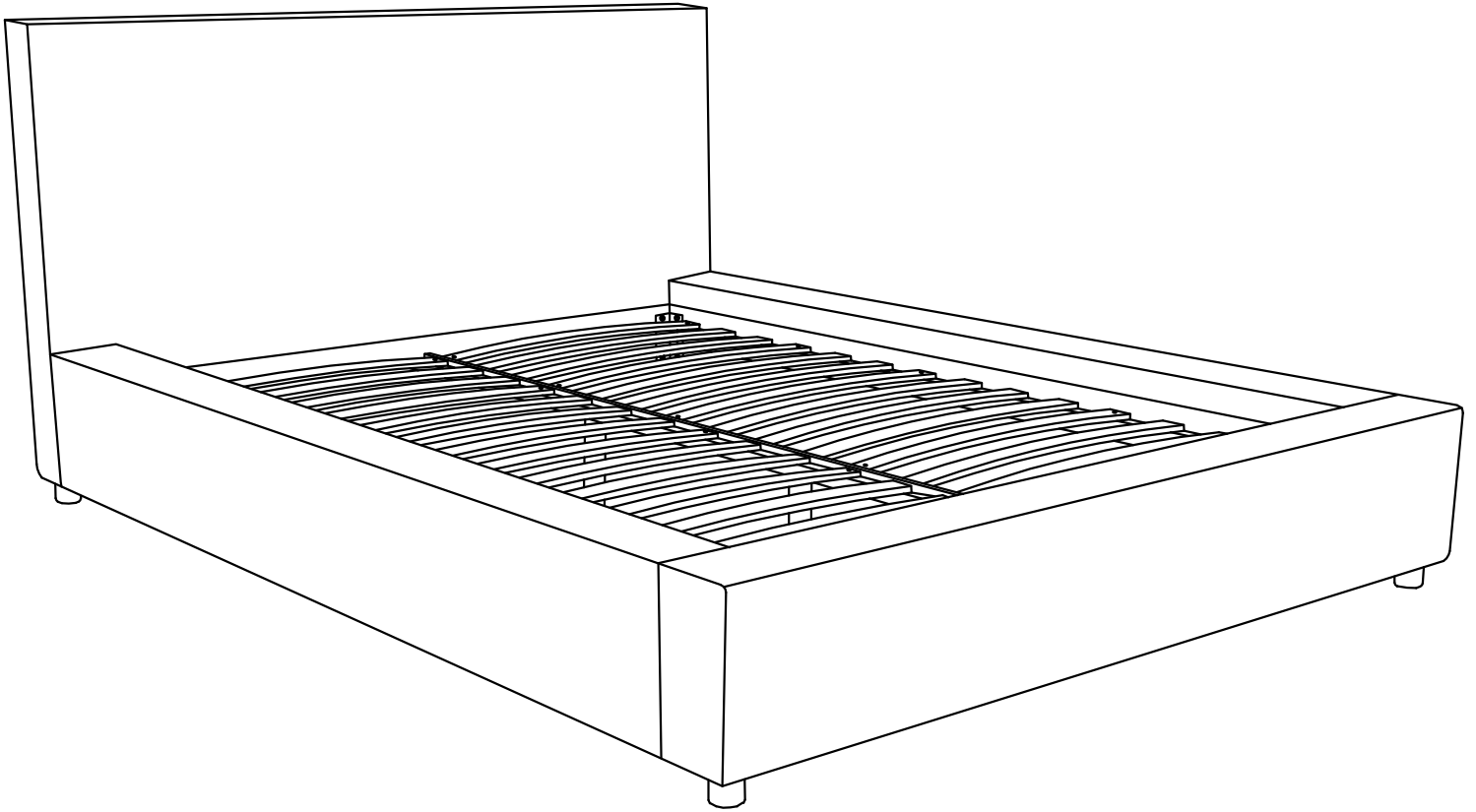


**TEMPLE &
WEBSTER**

**ASSEMBLY
INSTRUCTIONS**



**Hyde Queen Upholstered
Bed**

Read first, enjoy forever

Assembly tips

- Assemble your product on a level surface and lay something soft underneath to protect potential floor damage.
- Don't over tighten screws. During assembly we recommend tightening to approximately 70% tightness. Only tighten hardware 100% when fully assembled.
- Keep children away from assembly area as bags and small parts can pose a choking hazard.
- Make sure you have enough space to layout parts before starting. We recommend assembling your item in its final location.
- Do not stand on or put weight on the parts as it may warp or damage product.
- We do not recommend the use of drills or power tools (unless specified) as it may damage the product or hardware. Use hand held screwdrivers only.
- It is best that two people assemble the product as some products may be too heavy for one person. Check this booklet for guidance.

Safety, care and maintenance

- To reduce the risk of injury, always secure storage furniture to walls and/or floors by using tip-over restraints.
- Never let children climb or hang on drawers, doors or shelves.
- To protect your product and your home, we recommend using coasters, placemats, rugs and other protective items.
- Screws may loosen over time. We recommend setting a reminder to tighten up every six months.
- Remove any liquid spills immediately using a clean cloth with mild detergent. Do not use bleach or abrasive cleaners. Always test any cleaning agent in an inconspicuous spot first to know if it is suitable.

Recycling

We hope that you love your product forever, but we know situations change. In the event that you wish to dispose of your product please consider some creative ways to give it a new home:

- If it's still in great shape, sell it on your favourite online marketplace!
- Give it a second life by affording it a fresh coat of paint.
- If you must dispose of it, why not donate it to your local charity or shelter for someone else to enjoy.

Please dispose of this product and packaging responsibly and recycle where possible. Scan the QR code to read more about Temple and Webster's commitment to a more sustainable future.



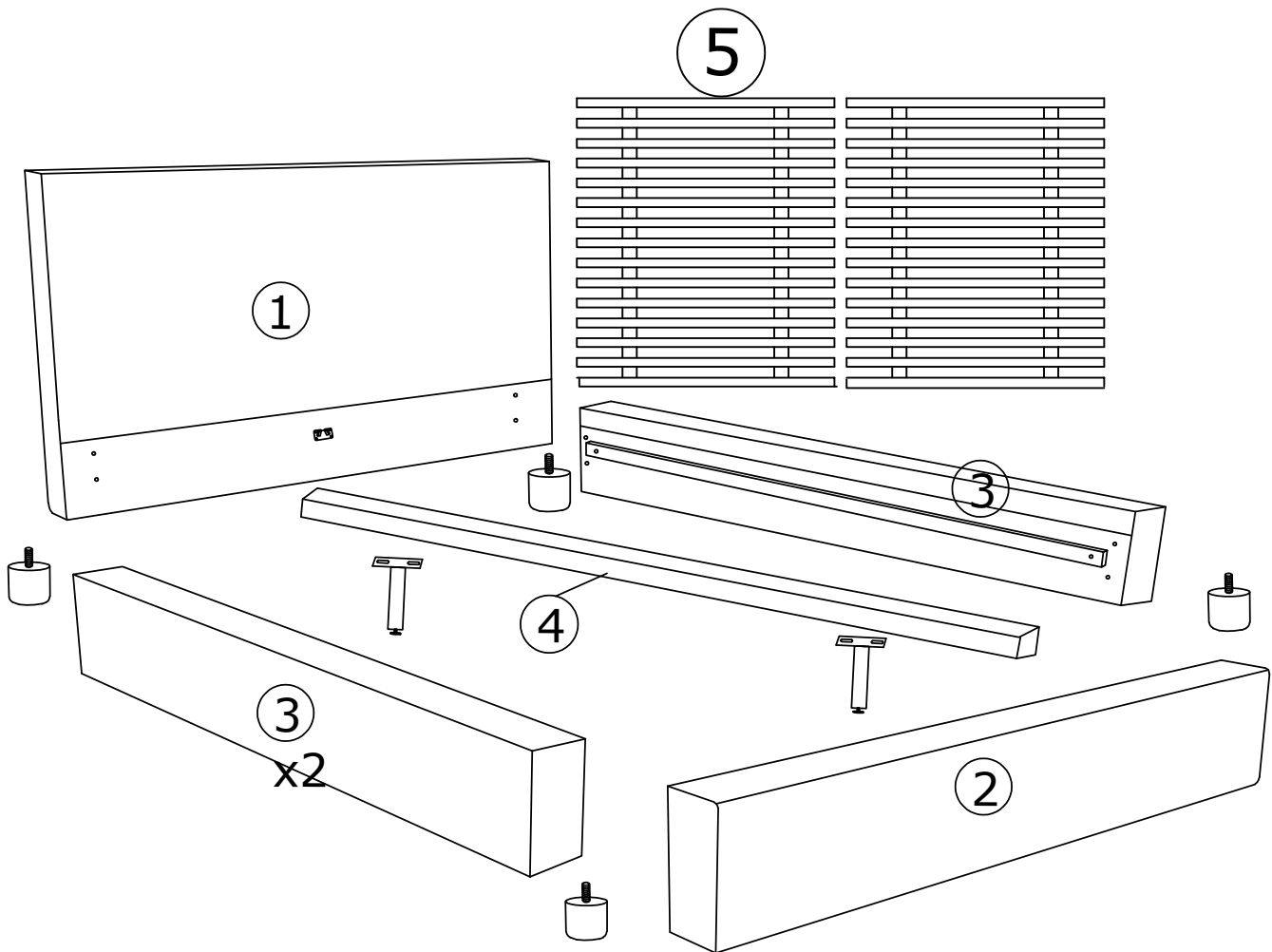
Parts list

ASSEMBLY INSTRUCTIONS Hyde Queen Upholstered Bed AAHYDQBW/AAHYDQBG

NUMBER OF PEOPLE REQUIRED FOR ASSEMBLY:

2


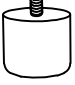
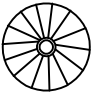
TOOLS REQUIRED FOR ASSEMBLY

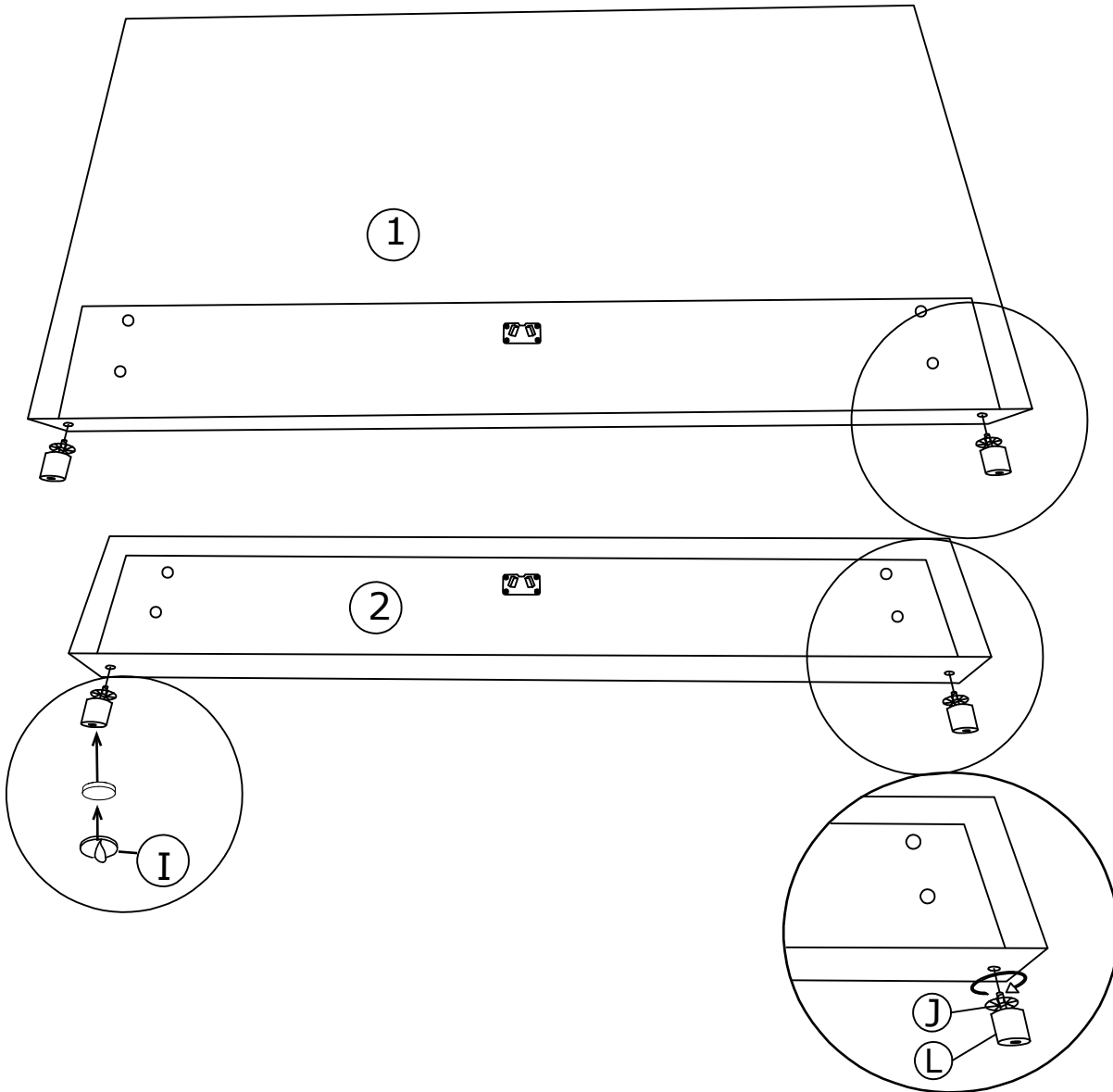


<p>Ax4</p> <p>130x47x47mm</p>	<p>Bx2</p> <p>68x33x30mm</p>	<p>Cx16</p> <p>M8x30mm</p>	<p>Dx2</p> <p>M6x16mm</p>	<p>Ex4</p> <p>M6x20mm</p>	<p>Fx20</p> <p>ØM4.2x30mm</p>	<p>Gx4</p> <p>ØM4x16mm</p>	<p>Hx1</p> <p>5mm</p>
<p>Ix4</p> <p>25mm</p>	<p>Jx4</p>	<p>Kx2</p> <p>H18CM</p>	<p>Lx4</p> <p>Ø4xH5CM</p>				

1.

- 1) Attach 4x Legs(L) into Headboard (1) and Footboard(2) with 4x Spacers (J).
- 2) Glue the 4xFelt (I) to the bottom of the installed wooden foot.

You will need:
Ix4  25mm
Lx4  Ø4x5cm
Jx4 



2.

Attach 8x Nuts (C) into Headboard (1) and Footboard(2).

You will need:

Cx8

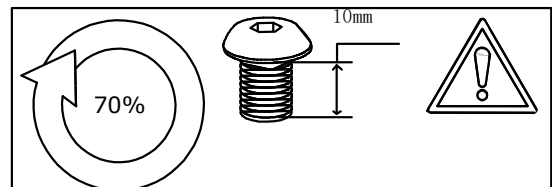
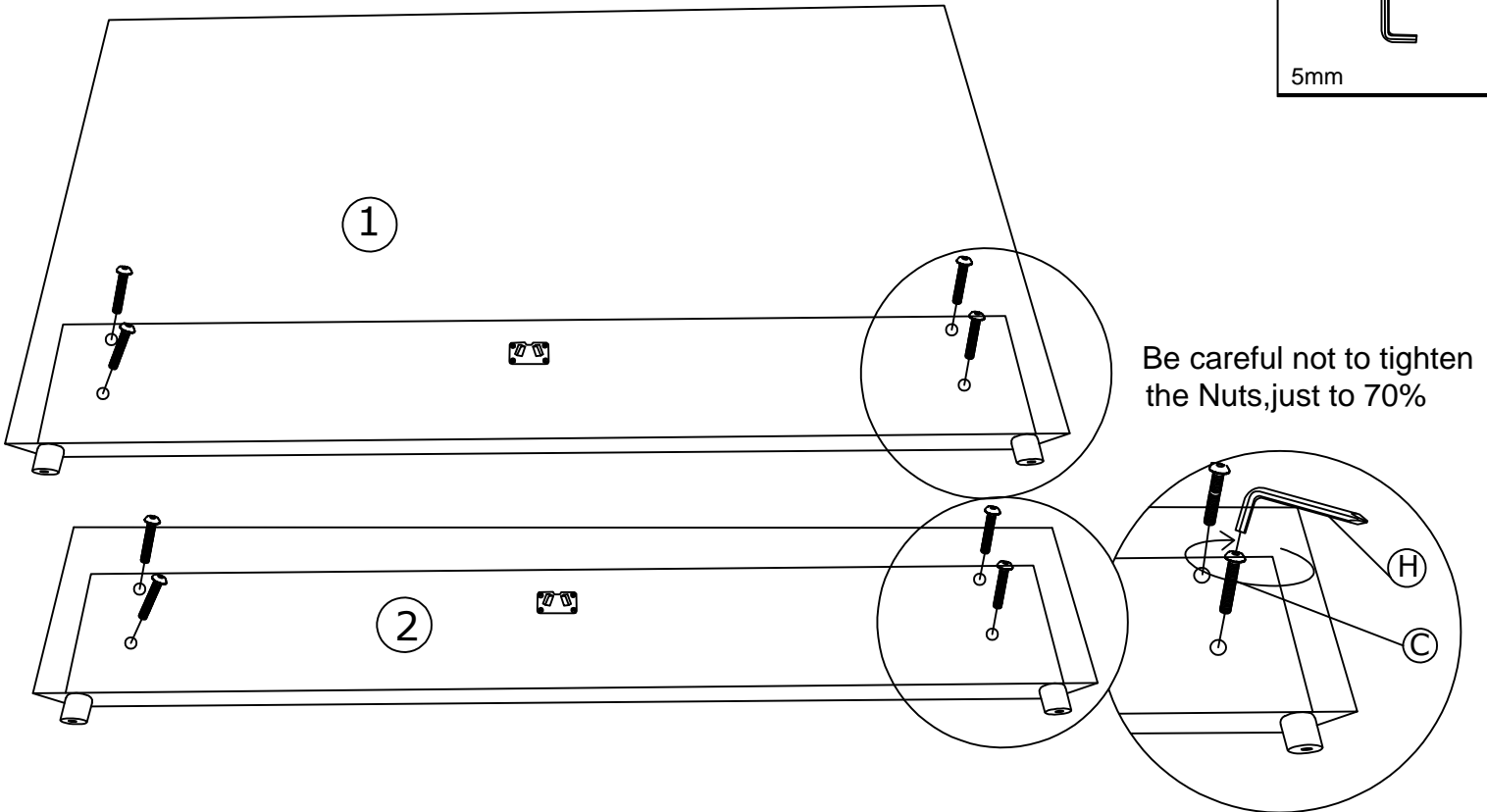


M8x30mm

Hx1



5mm



3.

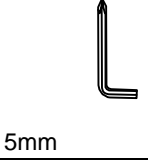
Attach 4x Indices(A) to Left and Right Sideboard (3) with 8x Nuts(C)

You will need:

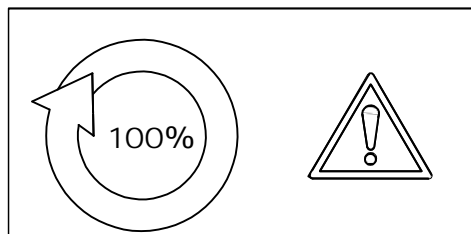
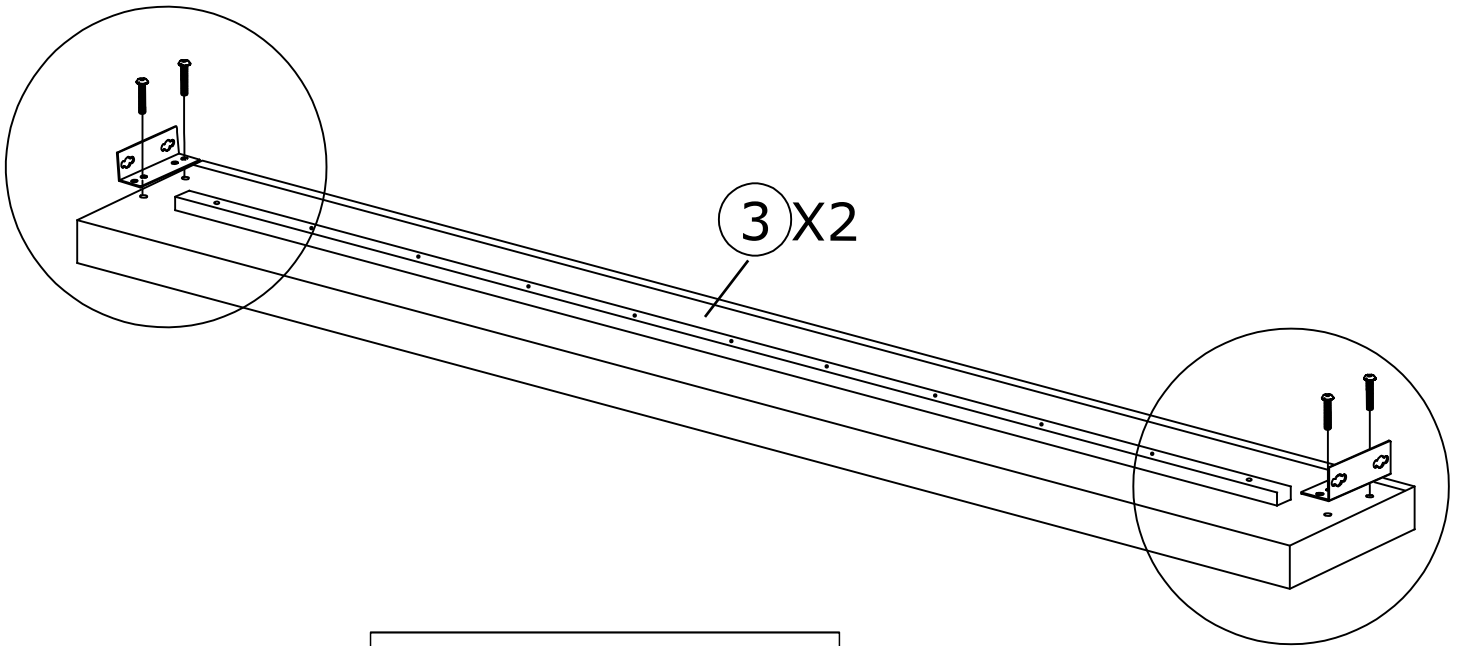
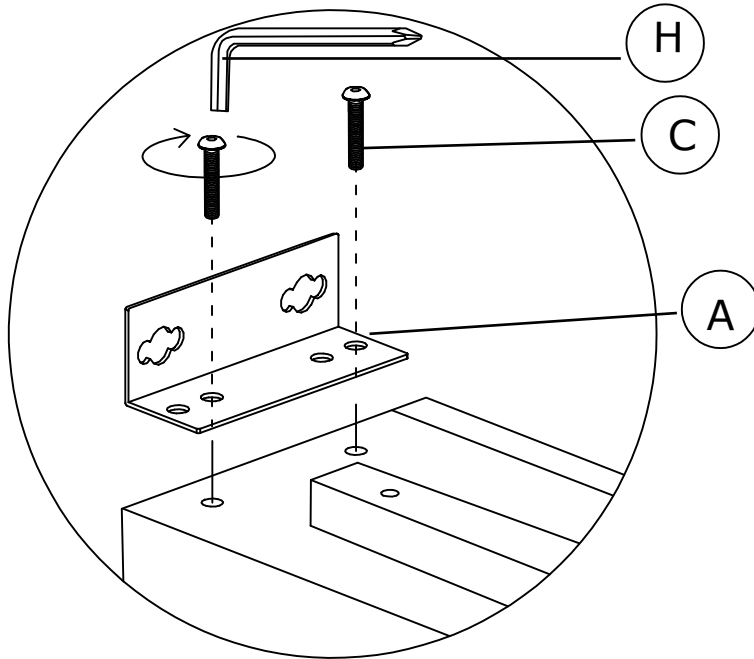
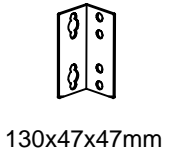
Cx8



Hx1



Ax4



4.

Attach 2x Sideboard(3) to Headboard(1) and Footboard (2) with Nuts have been installed.

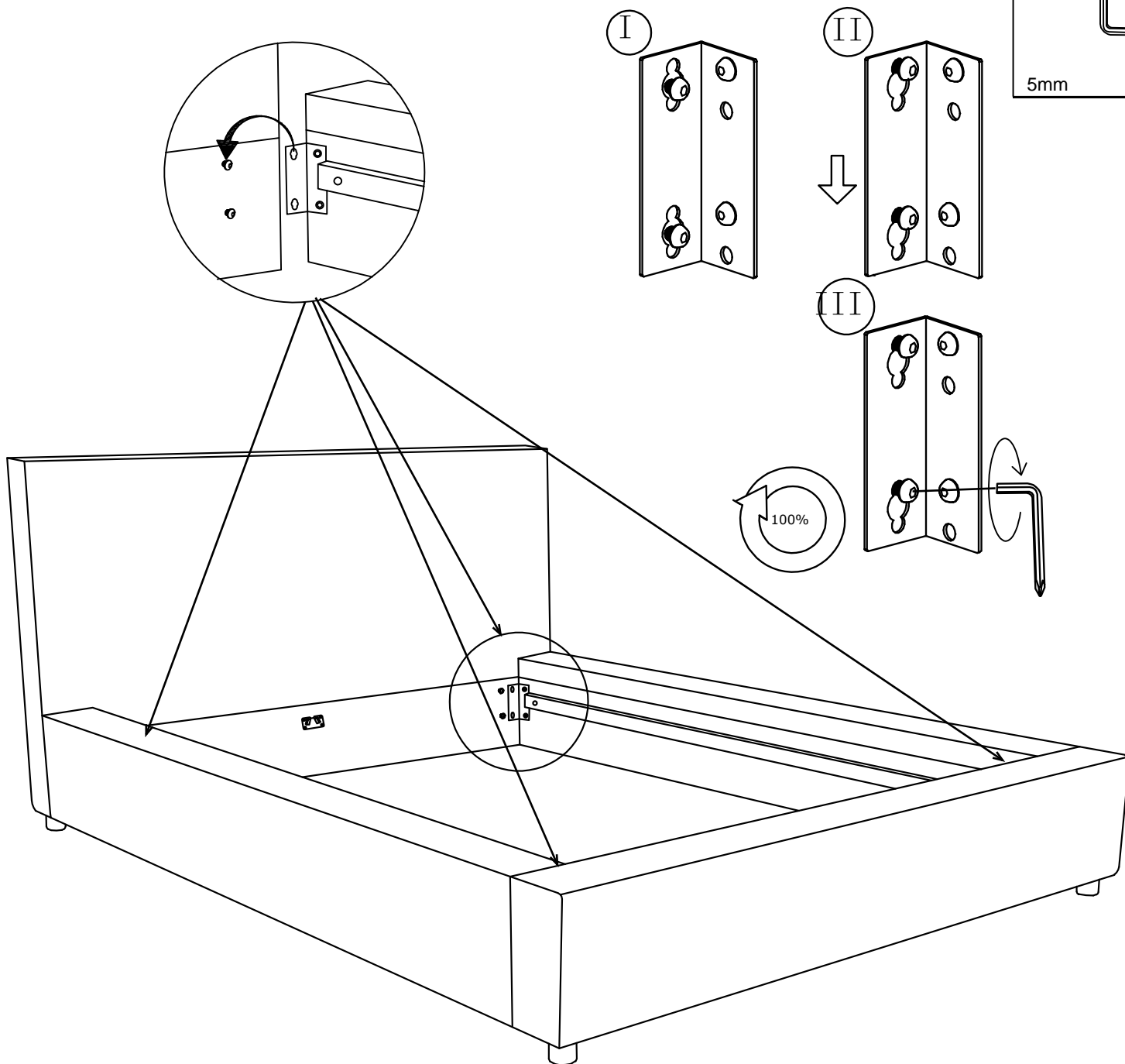
You will need:

Hx1



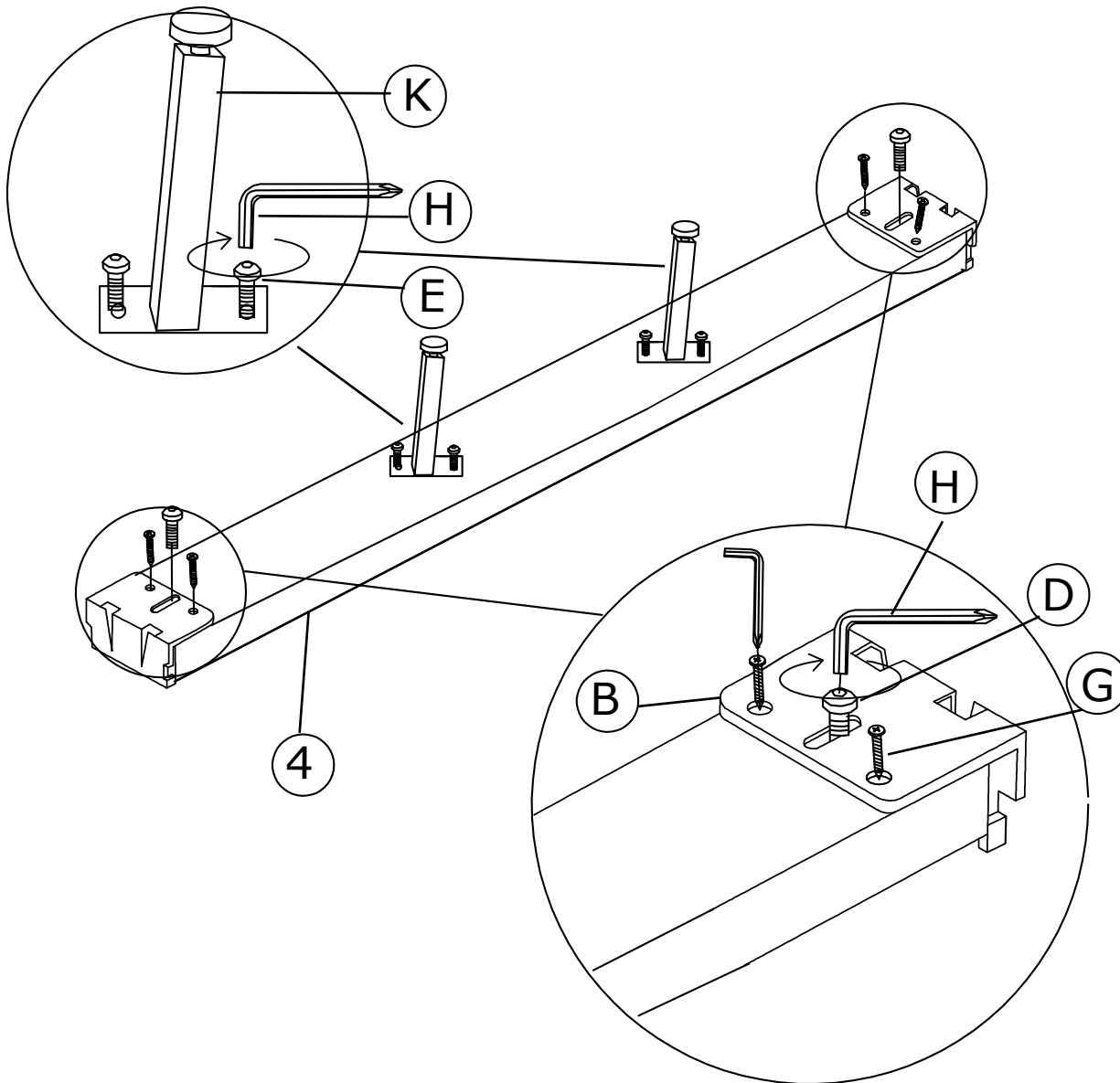
5mm

Noted:After hanging, press down sideboards, the nuts reach the top, and then tightened.



5.

- 1). Attach 2x Support Legs(K) to Middle Support(4) with 4x Nuts (E).
- 2). Attach 2x Pendant (B) to Middle Support(4) with 2x Nuts (D) and 4x Screws(G)



You will need:

Bx2



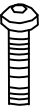
68x33x30mm

Dx2



m6x16mm

Ex4



m6x20mm

Hx1



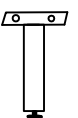
5mm

Gx4



Ø4x16mm

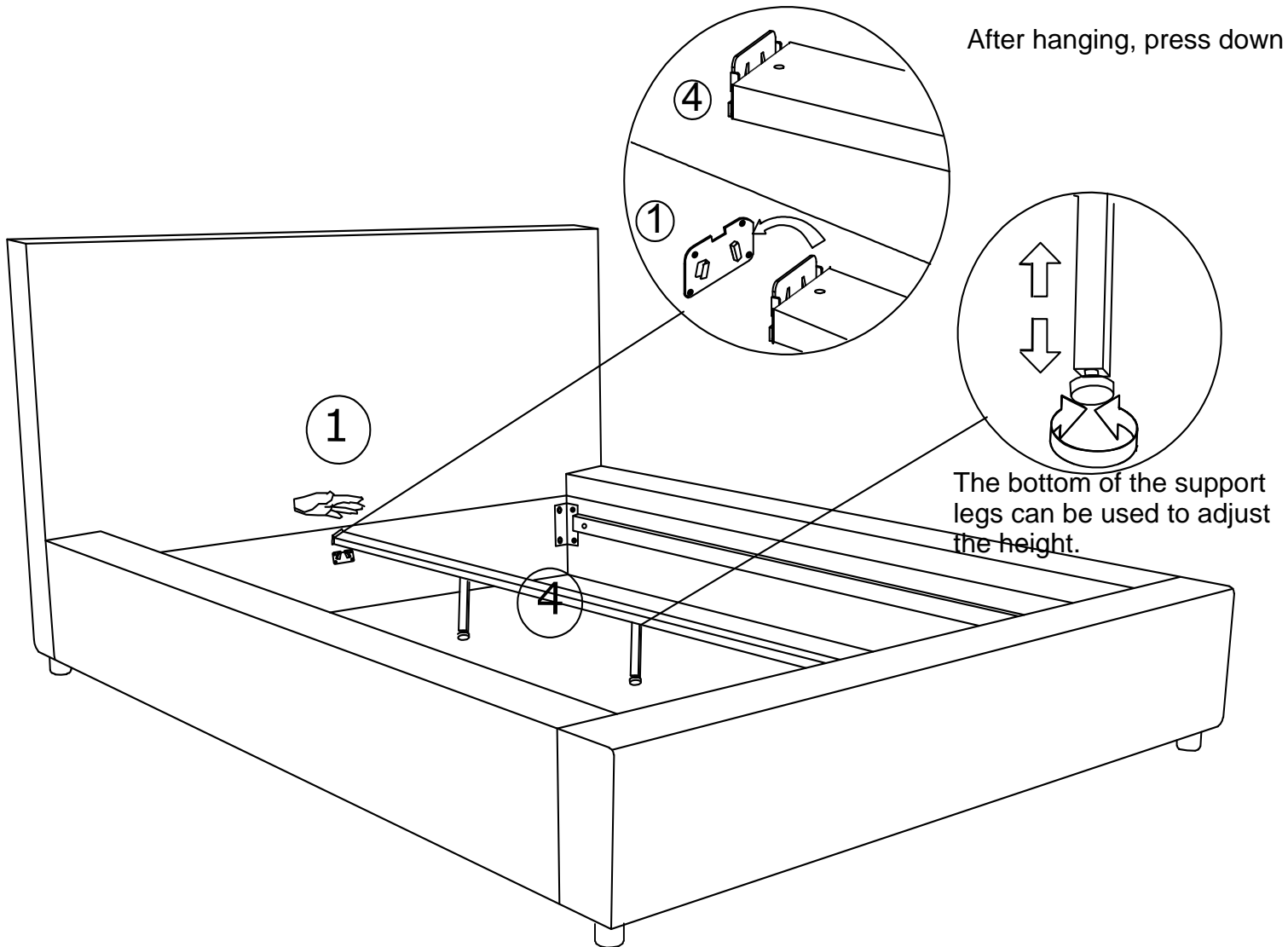
Kx2



H18cm

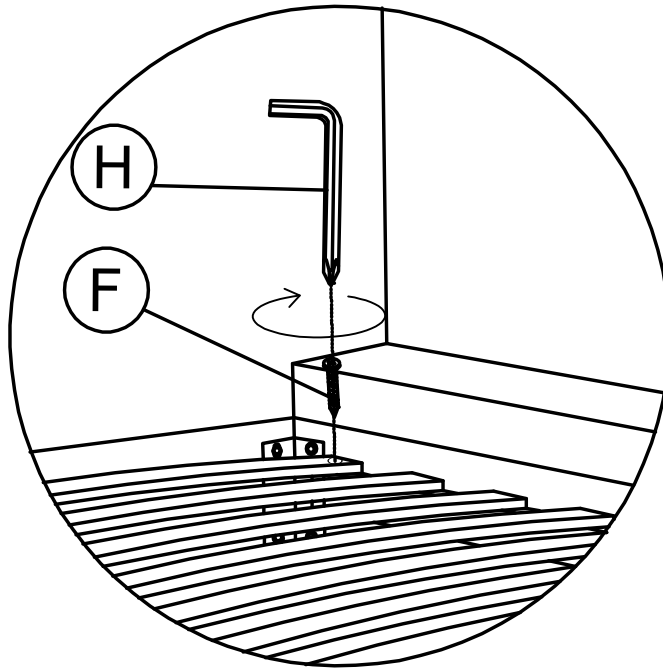
6.

Attach 1x Middle Support (4) to Bed with 2x Pendants have been install on it.



7.

Attach Plates to Bed with 20 x Small Screws (F)



You will need:

Hx1



5mm

Fx20



Ø4.2x30mm

