

---

## Frida Reversible Chaise Storage Sofa Bed

# Read first, enjoy forever

## Assembly tips

- Assemble your product on a level surface and lay something soft underneath to protect potential floor damage.
- Don't over tighten screws. During assembly we recommend tightening to approximately 70% tightness. Only tighten hardware 100% when fully assembled.
- Keep children away from assembly area as bags and small parts can pose a choking hazard.
- Make sure you have enough space to layout parts before starting. We recommend assembling your item in its final location.
- Do not stand on or put weight on the parts as it may warp or damage product.
- We do not recommend the use of drills or power tools (unless specified) as it may damage the product or hardware. Use hand held screwdrivers only.
- It is best that two people assemble the product as some products may be too heavy for one person. Check this booklet for guidance.

## Safety, care and maintenance

- To reduce the risk of injury, always secure storage furniture to walls and/or floors by using tip-over restraints.
- Never let children climb or hang on drawers, doors or shelves.
- To protect your product and your home, we recommend using coasters, placemats, rugs and other protective items.
- Screws may loosen over time. We recommend setting a reminder to tighten up every six months.
- Remove any liquid spills immediately using a clean cloth with mild detergent. Do not use bleach or abrasive cleaners. Always test any cleaning agent in an inconspicuous spot first to know if it is suitable.

## Recycling

We hope that you love your product forever, but we know situations change. In the event that you wish to dispose of your product please consider some creative ways to give it a new home:

- If it's still in great shape, sell it on your favourite online marketplace!
- Give it a second life by affording it a fresh coat of paint.
- If you must dispose of it, why not donate it to your local charity or shelter for someone else to enjoy.

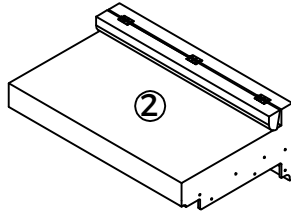
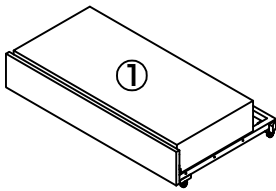
Please dispose of this product and packaging responsibly and recycle where possible. Scan the QR code to read more about Temple and Webster's commitment to a more sustainable future.



# Parts list

## ASSEMBLY INSTRUCTIONS Frida Reversible Chaise Storage Sofa bed

XIFQSBCL



NUMBER OF PEOPLE REQUIRED FOR ASSEMBLY:

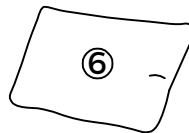
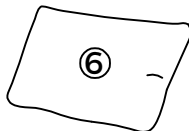
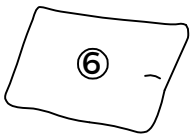
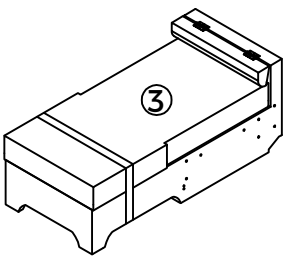
**2**





TOOLS REQUIRED FOR ASSEMBLY



4# Hex  
Wrench(E)

5# Hex  
Wrench(F)

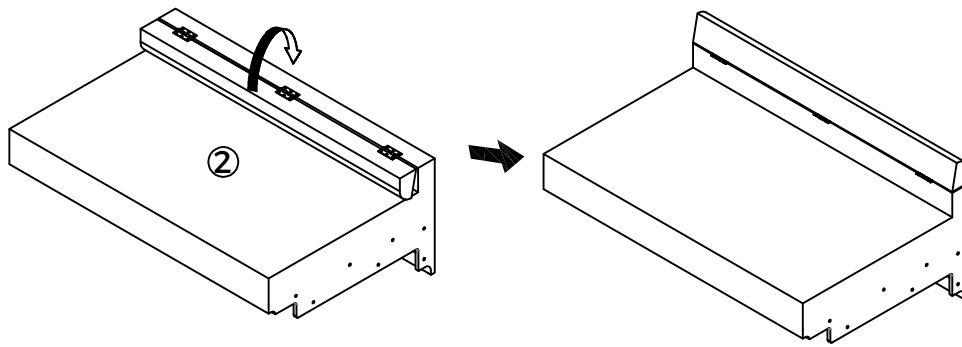


<p><b>A</b></p>  <p><b>13PCS</b></p>	<p><b>B</b></p>  <p><b>13PCS</b></p>	<p><b>C</b></p>  <p><b>2PCS</b></p>	<p><b>D</b></p>  <p><b>4PCS</b></p>
---	---	--	--

1.

---

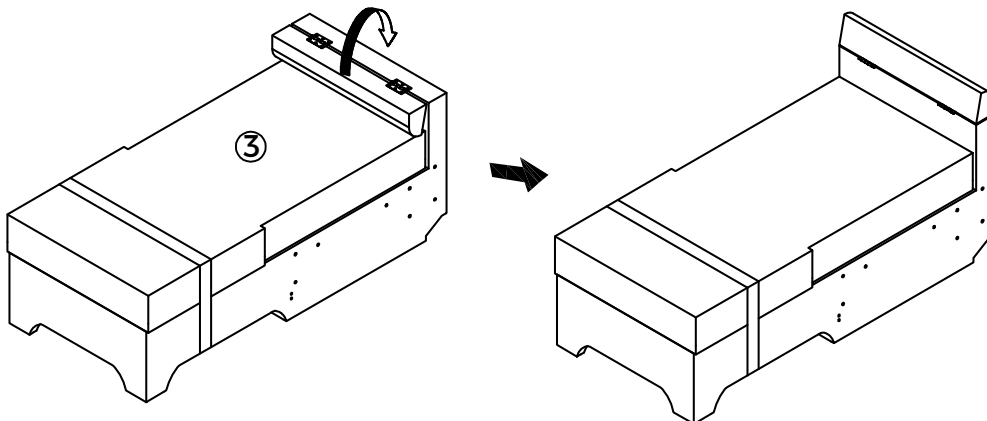
Flip up the 2-seater Frame(2) foldable backrest.



2.

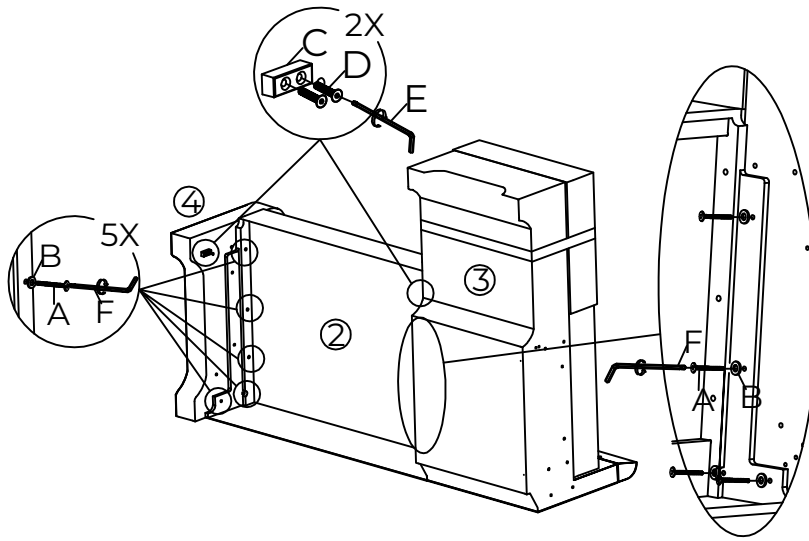
---

Flip up the chaise Frame(3) foldable backrest.



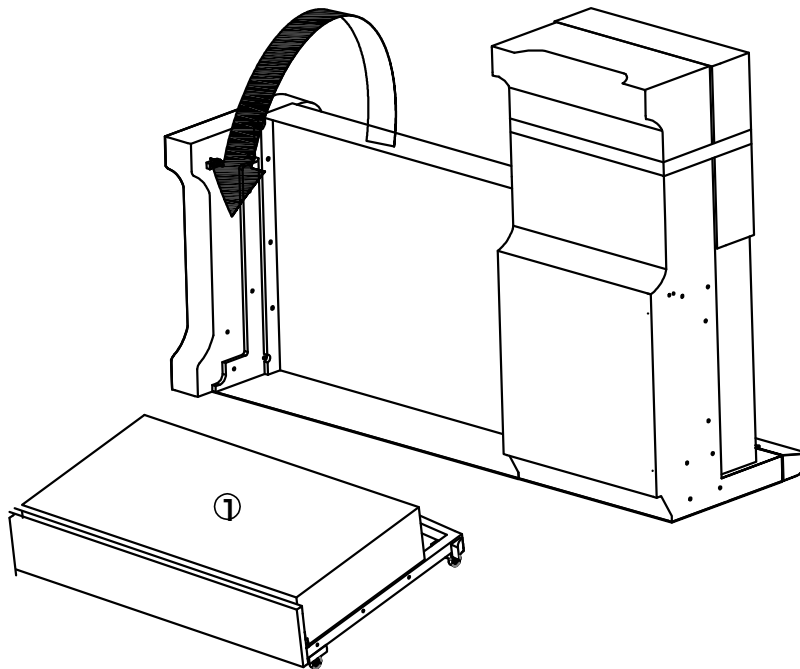
**3.**

Flip over the armrest, the 2-seater frame(2), and the chaise frame(3), then assemble.



**4.**

Place the reclining mechanism (1) upright for assembly.



**You will need:**



9 Screw Rod(A)



9 Screw Washer(B)



2 Positioning block(C)



4 Screw Rod (D)



4# Hex Wrench(E)

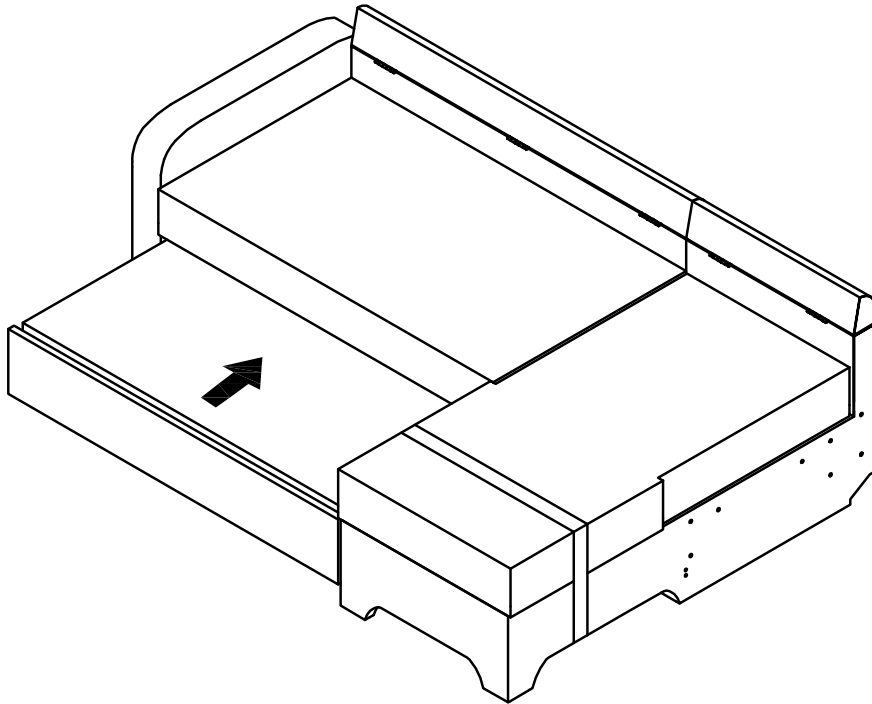


5# Hex Wrench(F)

**5.**

---

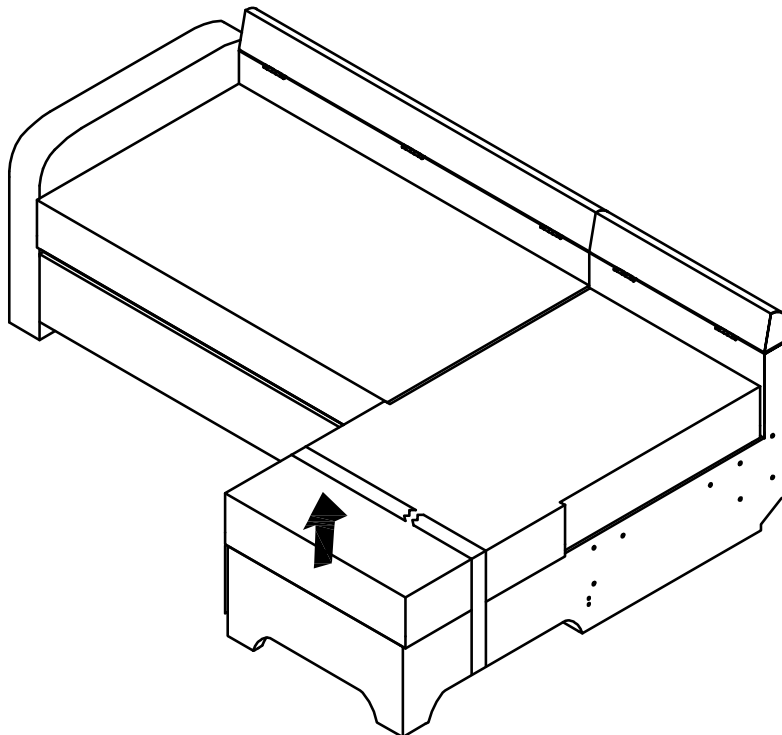
Place the reclining mechanism (1) under the 2-seater frame(2).



**6.**

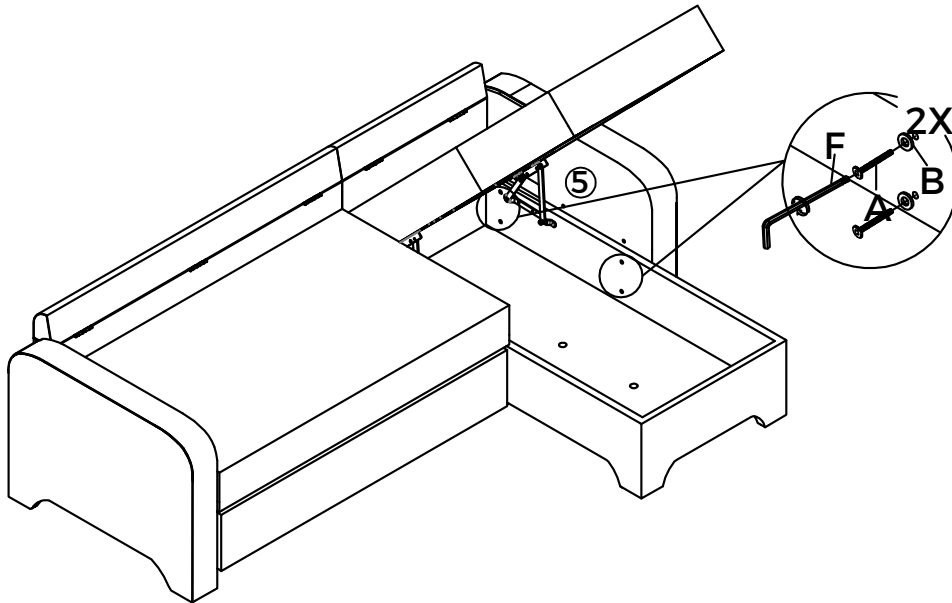
---

Tear open the fastener and then open the chaise frame(3).



**7.**

Attach 4x screw washer (B) and 4x screw rod(A) to right armrest (5) with 5# hex wrench(E).



**You will need:**



4 Screw Rod(A)



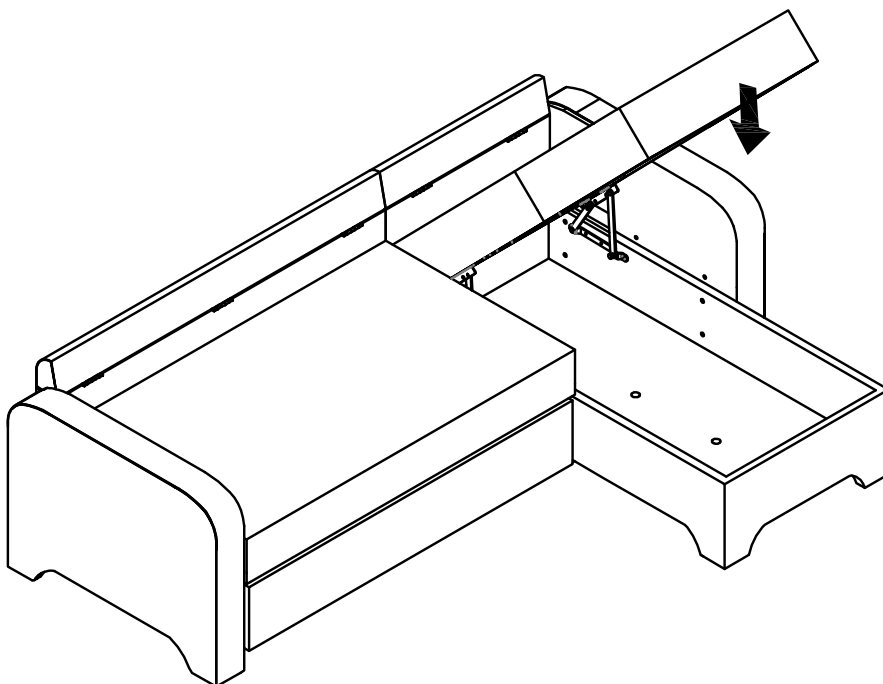
4 Screw Washer(B)



5# Hex Wrench(F)

**8.**

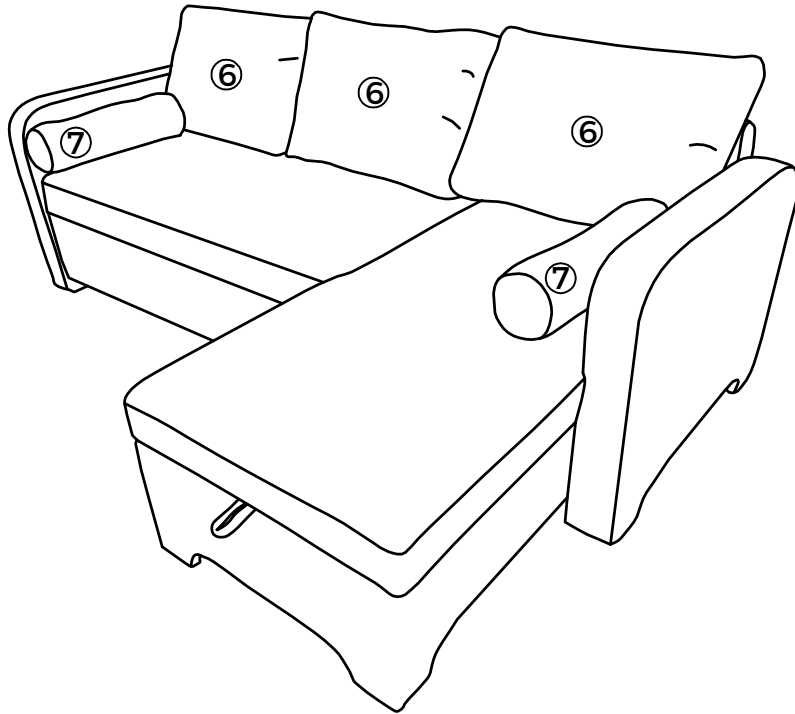
Close the chaise frame(3).



9.

---

Place the 3x back cushion (6) and 2x arm cushion (7) on the sofa to complete the assembly.



10.

---

To configure the chaise on the left side instead, adjust the positions of steps 3 accordingly.

