

TEMPLE & WEBSTER

ASSEMBLY INSTRUCTIONS

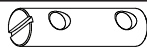

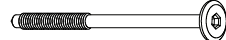
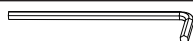
SMNELOS

Read these instructions and follow steps carefully to ensure you assemble the product correctly and avoid damages. Check that all parts and hardware have been provided before assembling the product. Place all contents on a clean, soft-flat surface to avoid scratching the product.

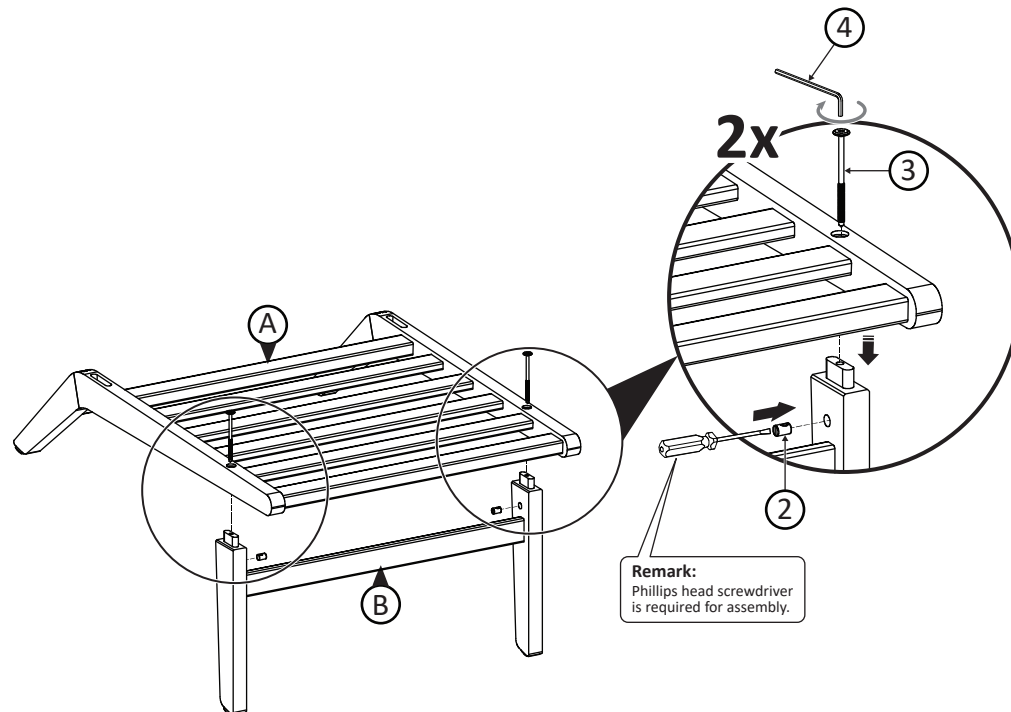
CAUTION:
Only tighten bolts to 80% at first. Once all parts have been assembled, fully tighten all hardware. To prevent damage to threads, do not use a power tool and do not overtighten bolts. Use two people to lift and turn the product when assembling. Do not attempt with only one person and do not roll onto legs. Keep all hardware and small parts away from children.



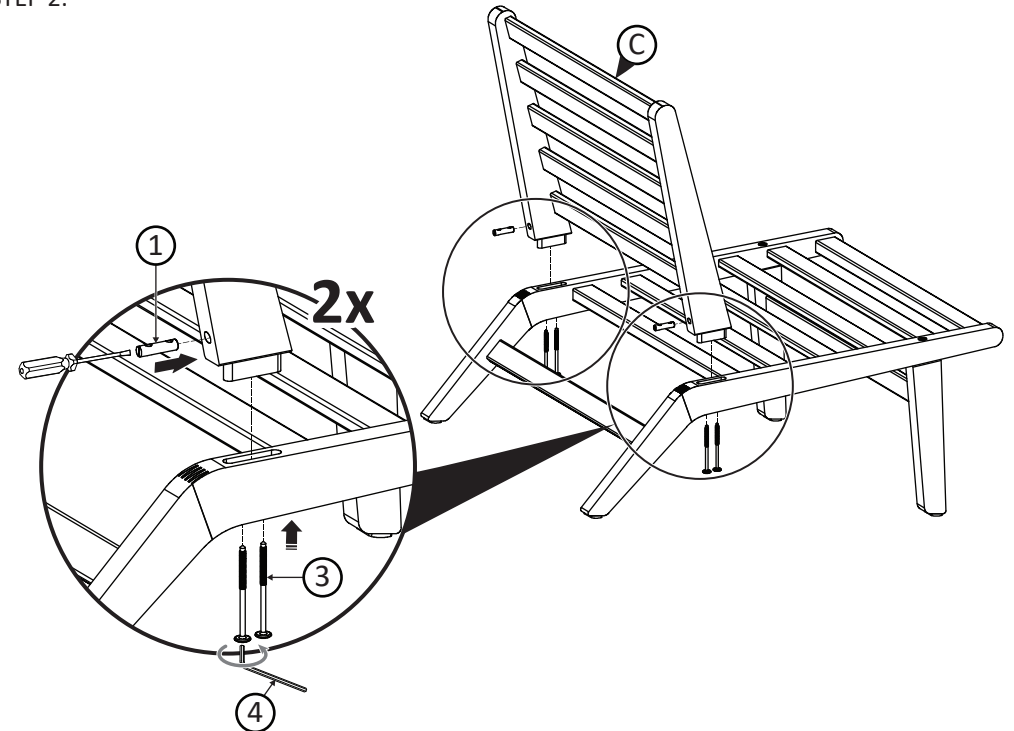
PART LIST		
ITEM	DESCRIPTION	QTY
A	SEAT FRAME	1PC
B	LEG FRAME	1PC
C	BACK FRAME	1PC
D	SEAT CUSHION	1PC
E	BACK CUSHION	1PC

HARDWARE LIST		
ITEM	DESCRIPTION	QTY
1	CROSS NUT DIA 10 x 39mm 	2PCS
2	CROSS NUT DIA 10 x 14mm 	2PCS
3	JCBC SCREW M6 x 85mm 	6PCS
4	M4 ALLEN KEY (BALL SHAPE) LONG 	1PC

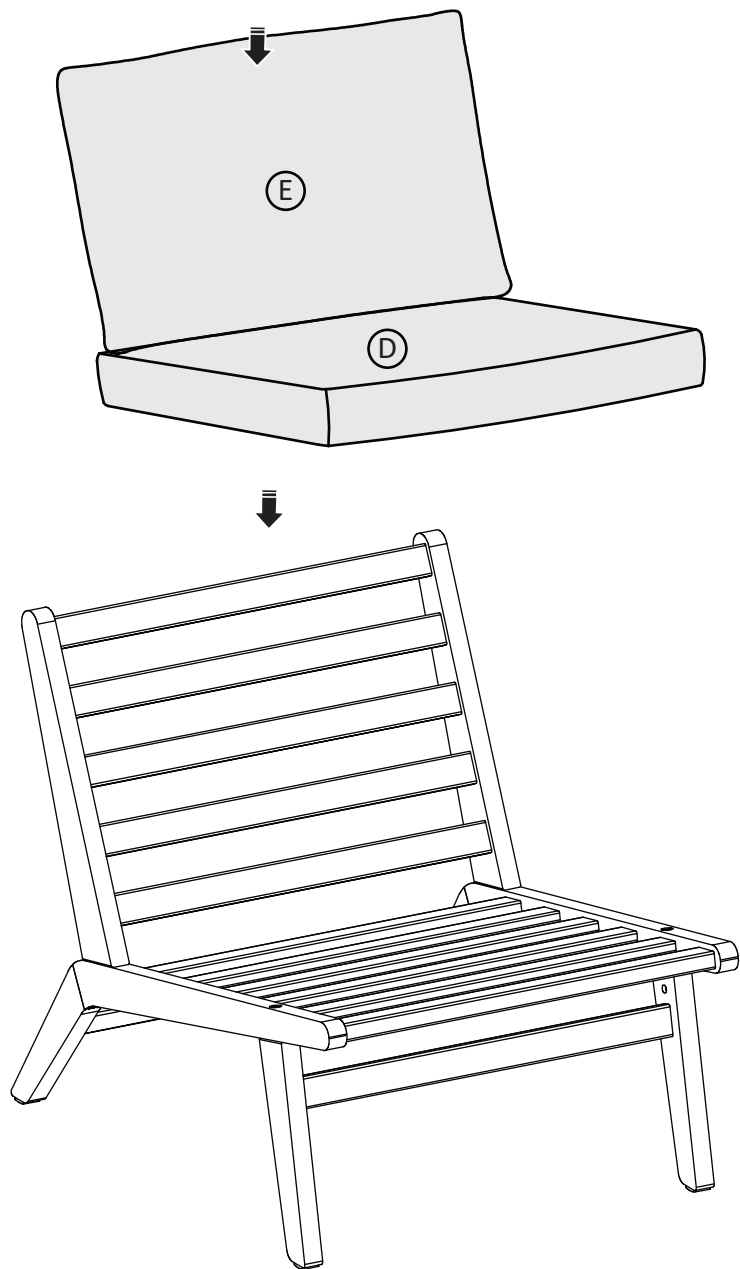
STEP 1:



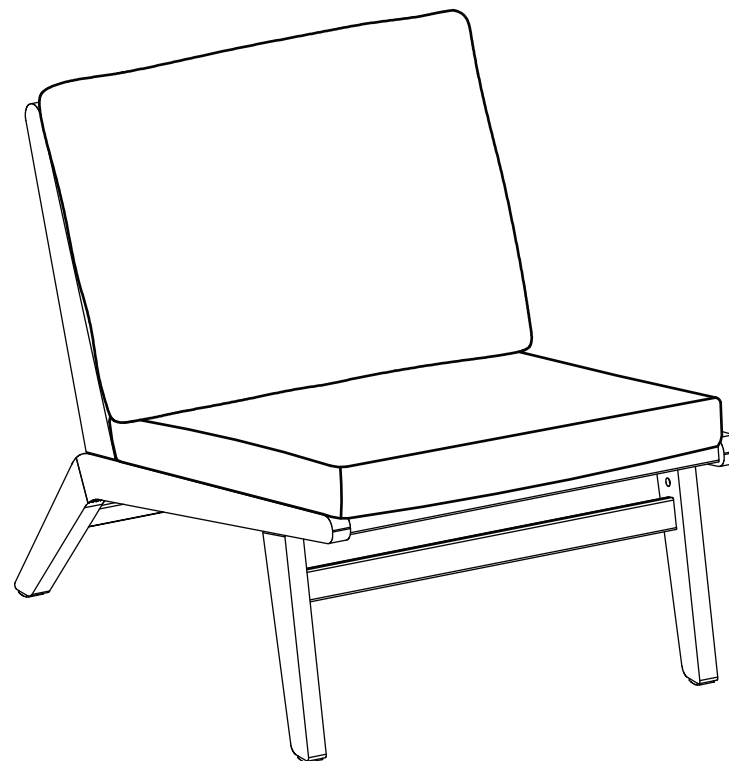
STEP 2:



STEP 3:



STEP 4:



COMPLETED CHAIR ASSEMBLY