

Read these instructions and follow steps carefully to ensure you assemble the product correctly and avoid damages.

Check that all parts hardware have been provided before assembling the products.

Place all contents on a clean, soft-flat surface to avoid scratching the product.

**CAUTION:**

Only tighten bolts to 80% at first. Once all parts have been assembled, fully tighten all hardware.

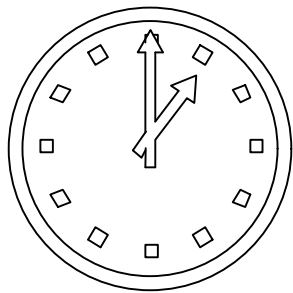
To prevent damage to threads, do not use a power tool and do not over tighten bolts.

Use two people to lift and turn the product when assembling.

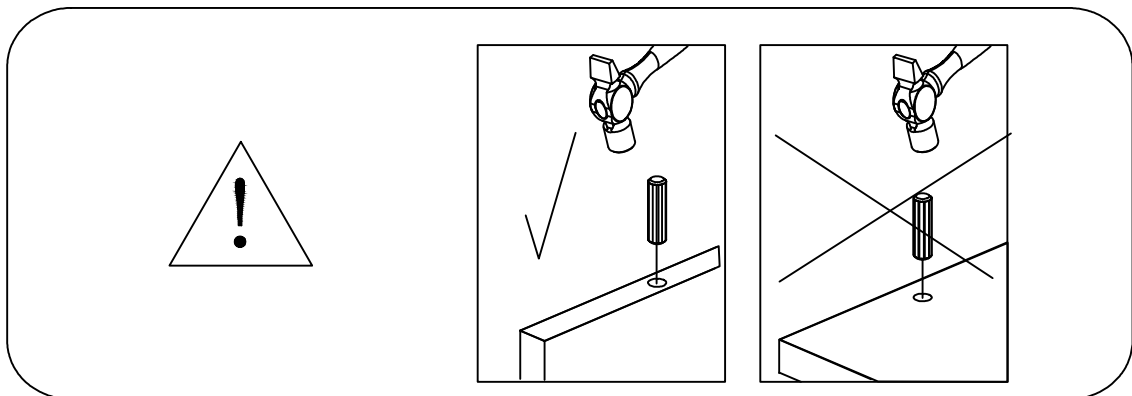
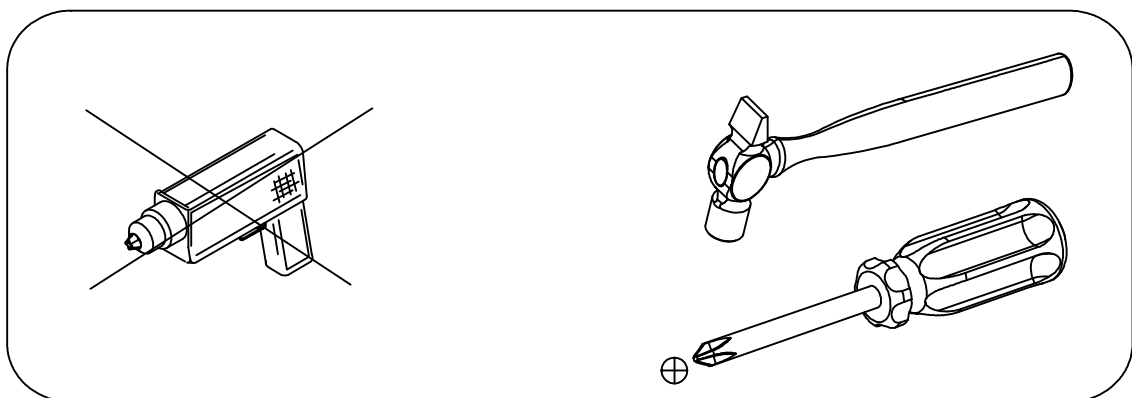
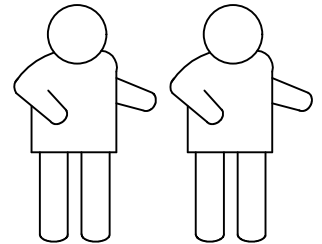
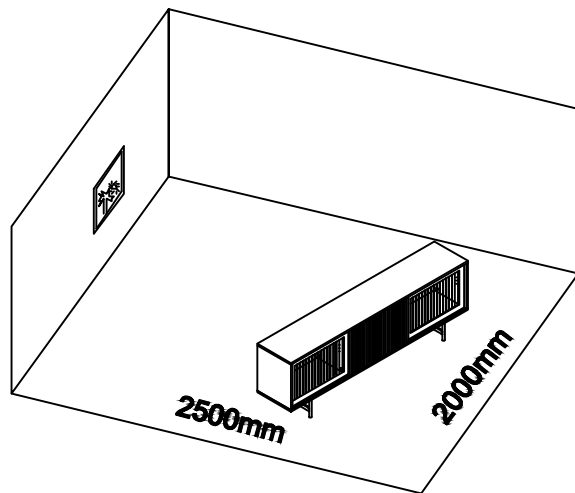
Do not attempt with only one person and do not roll on to legs.

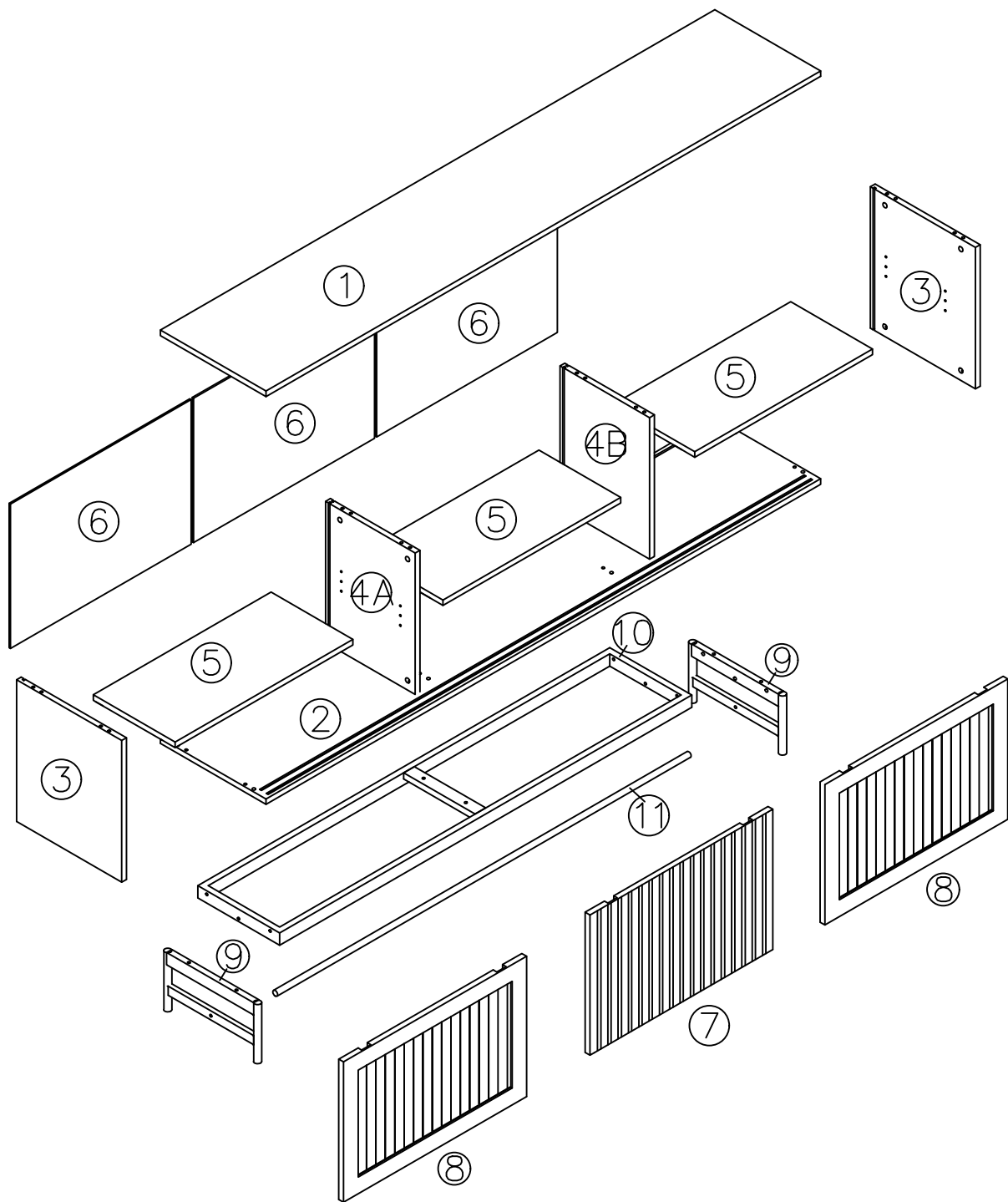
Keep all hardware and small parts away from children





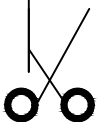
60 min


















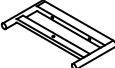









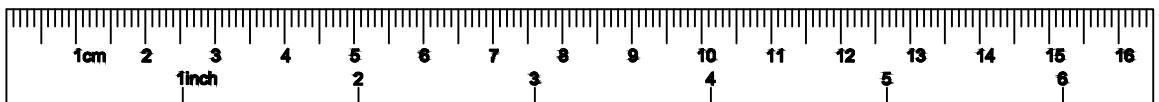
BOX 1	BOX 2
1x PIECE 01	3x PIECES 06
1x PIECE 02	1x PIECE 07
2x PIECE 03	2x PIECES 08
1x PIECE 4A	
1x PIECE 4B	
3x PIECES 05	
2x PIECES 09	
1x PIECE 10	
1x PIECE 11	
plastic bag with all hardware	

		19762
1	1	2100x400x18MM
2	1	2100x400x18MM
3	2	389x464x18MM
4A	1	339x464x18MM
4B	1	339x464x18MM
5	3	673x310x15MM
6	3	685x474x5MM
7	1	693x460x18MM
8	2	693x460x18MM

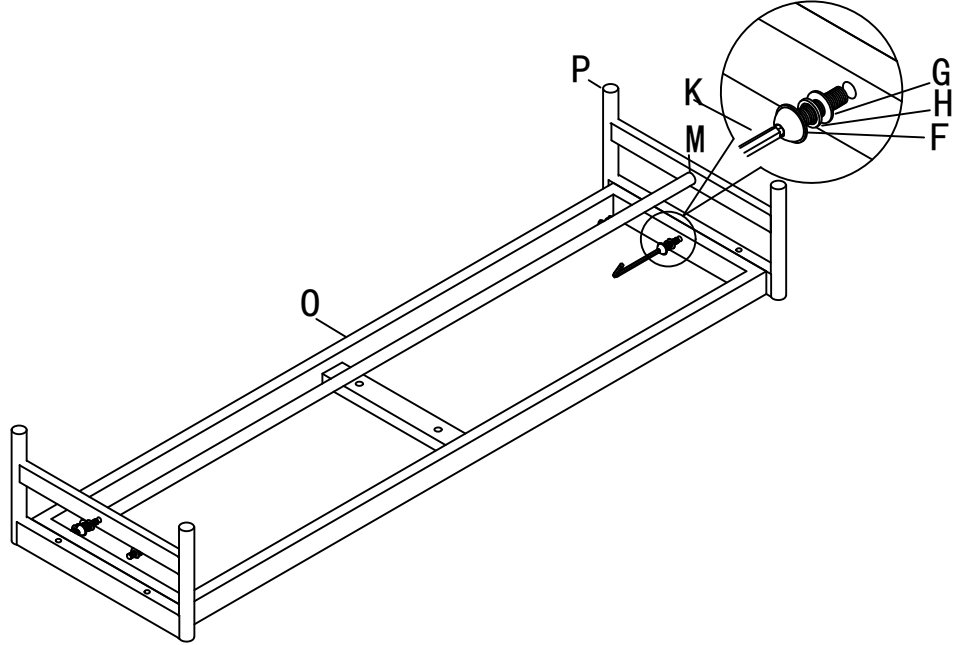
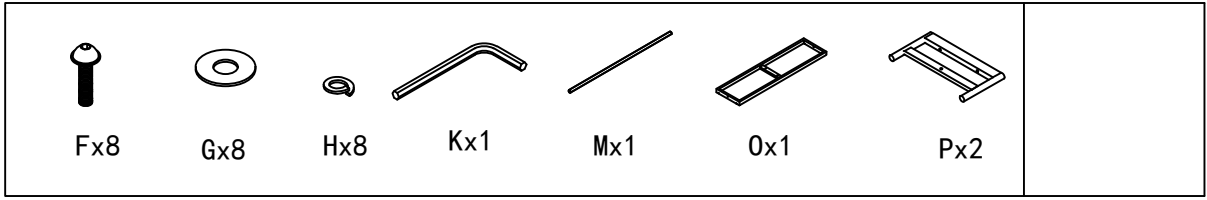




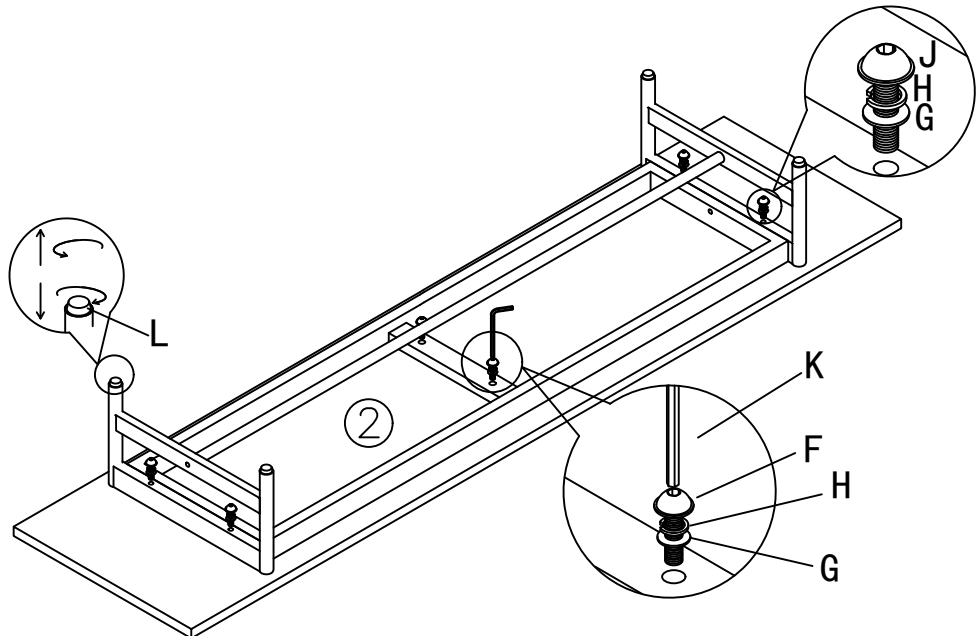
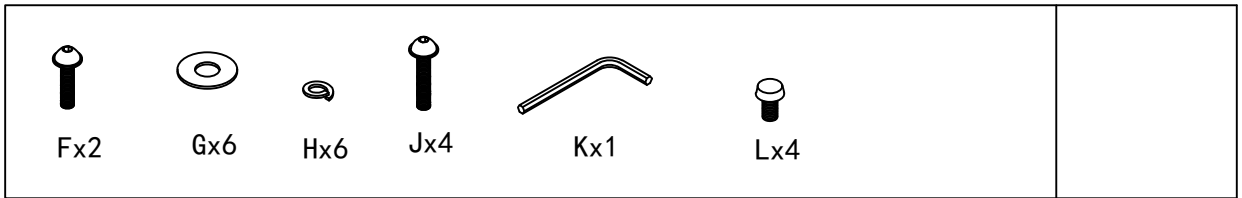
 φ 15x12 Ax16	 M6x35 Bx16	 φ 8x40 Cx16	 M3. 5x15 Dx60
 Ex6	 M6x35 Fx10	 φ16xM6x1.5 Gx14	 M6 Hx14
 Ix12	 M6x55 Jx4	 5# Kx1	 Lx4
 Mx1	 Nx6	 Ox1	 Px2
 Qx12	 Rx4	 Sx4	 M4x37 Tx4
 M4x17 Ux4	 Vx2	 Wx 16	



1

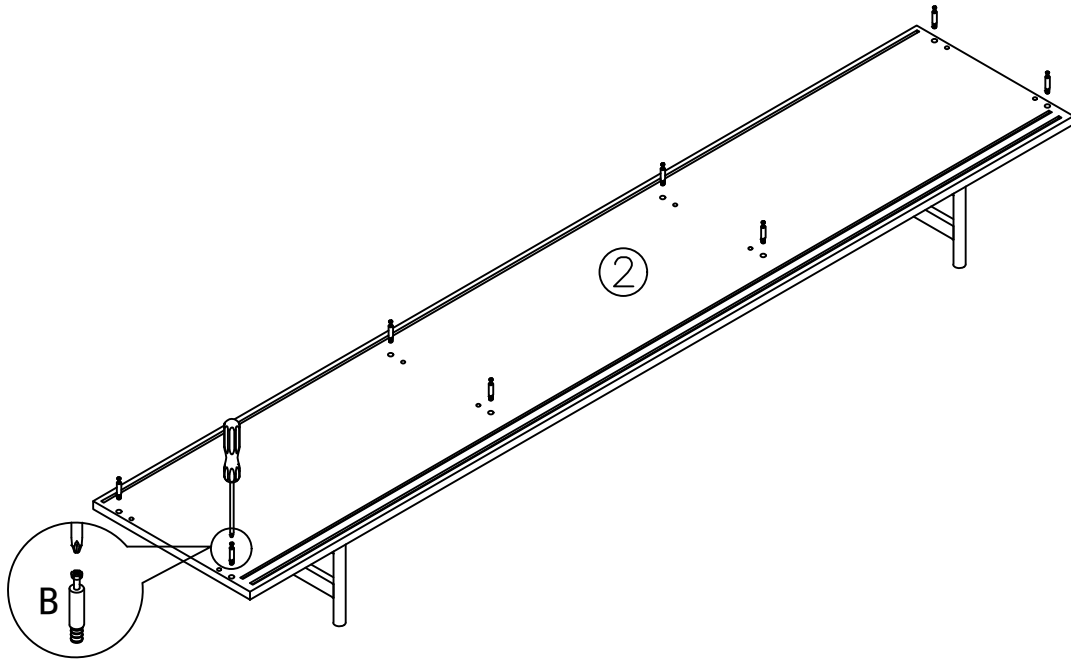
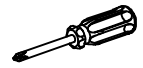


2

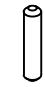


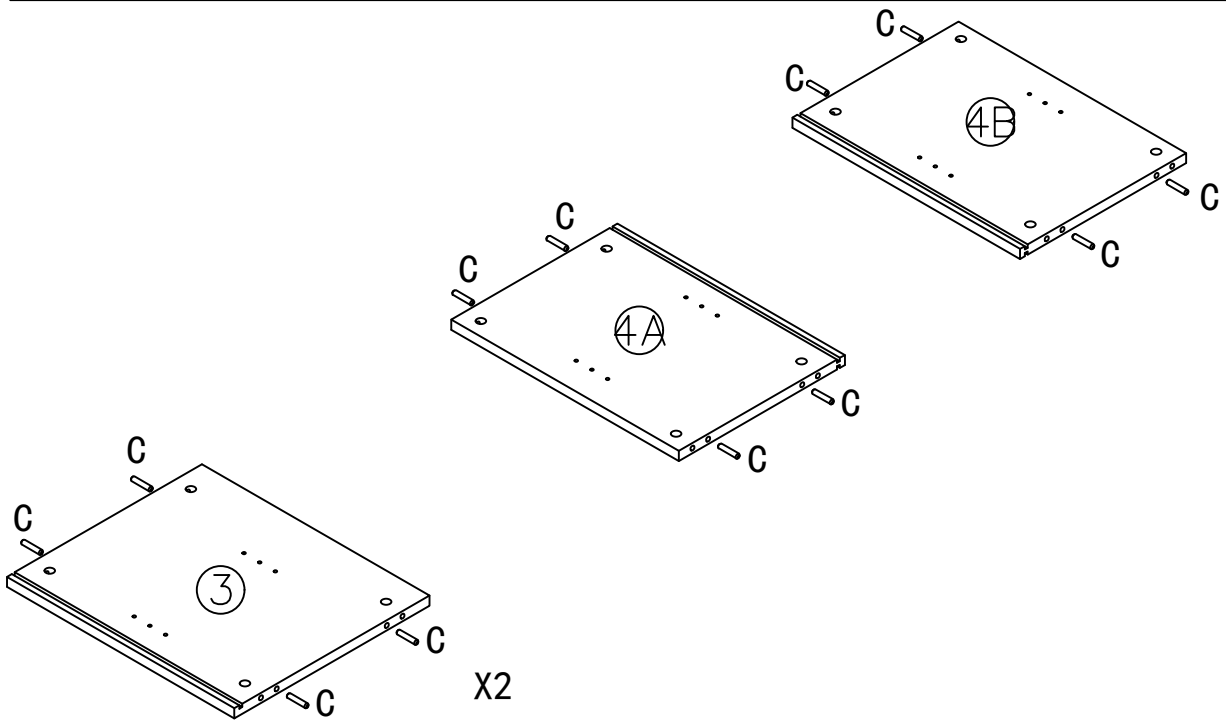
3

  
Bx8



4

  
Cx16

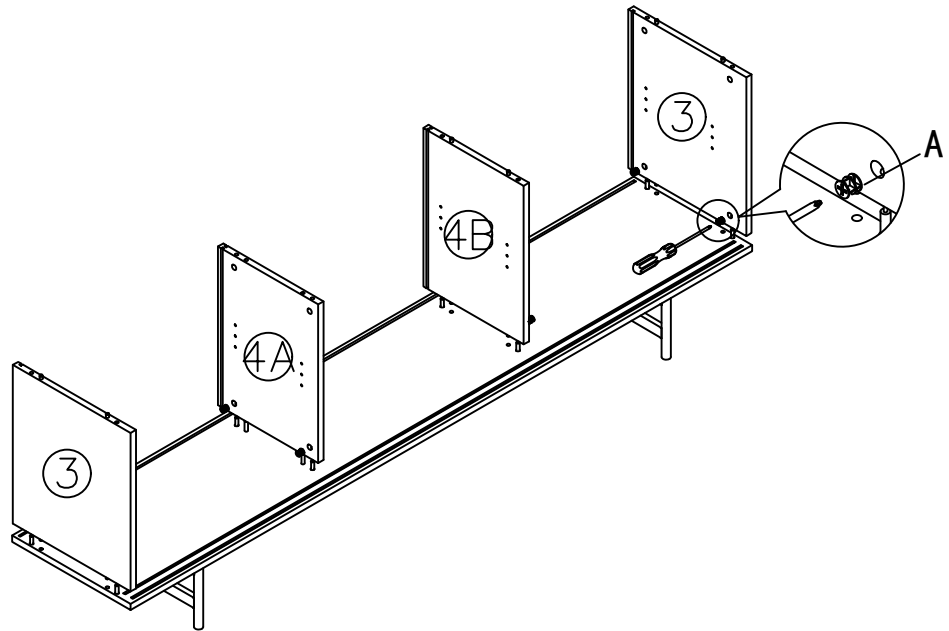
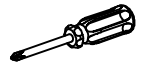


7-16

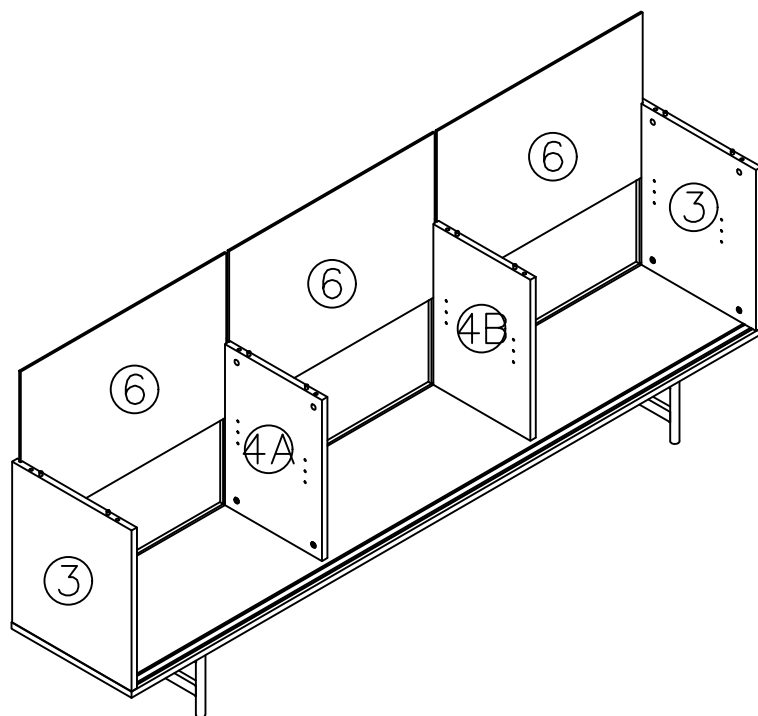
5



Ax8

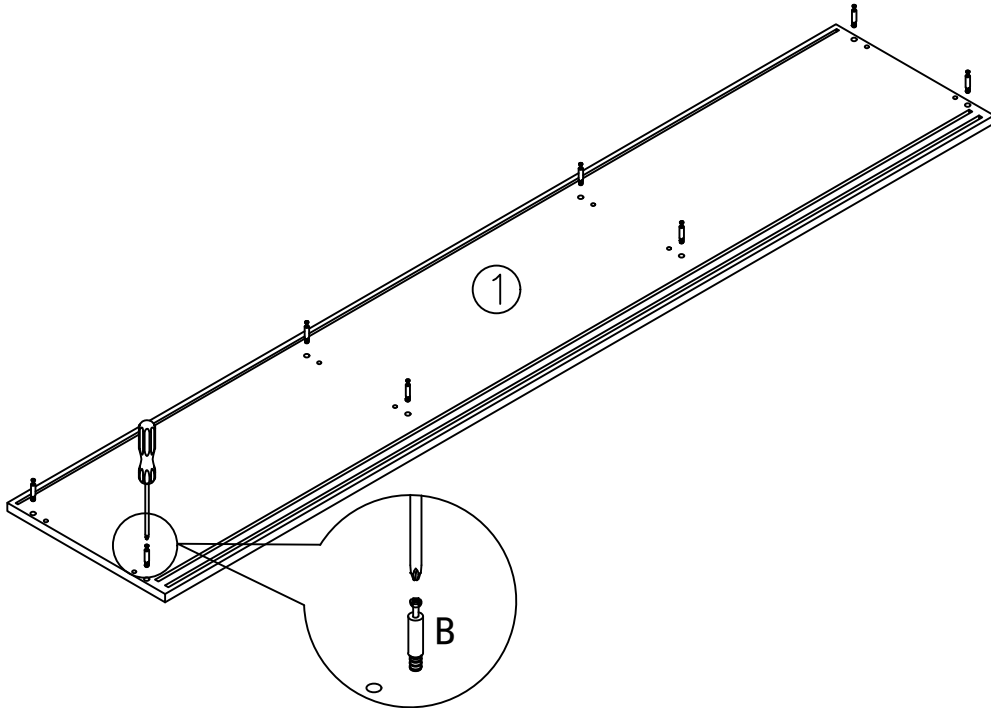
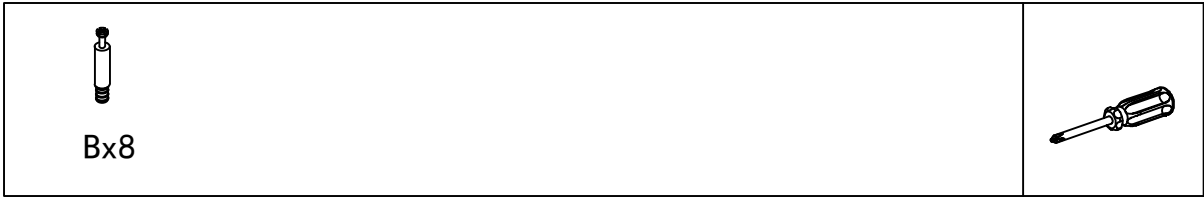


6

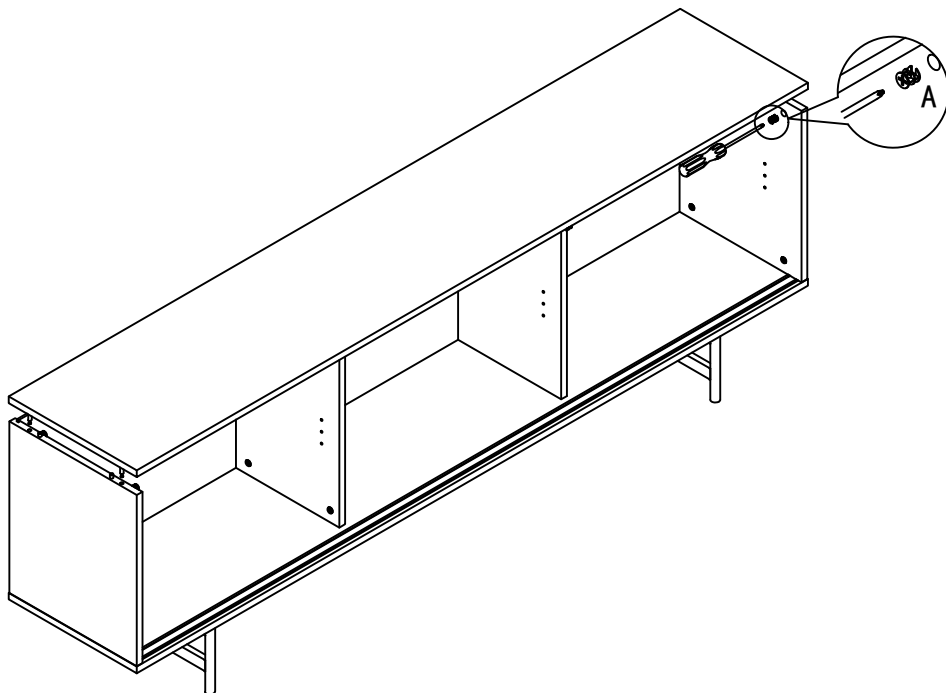


8-16

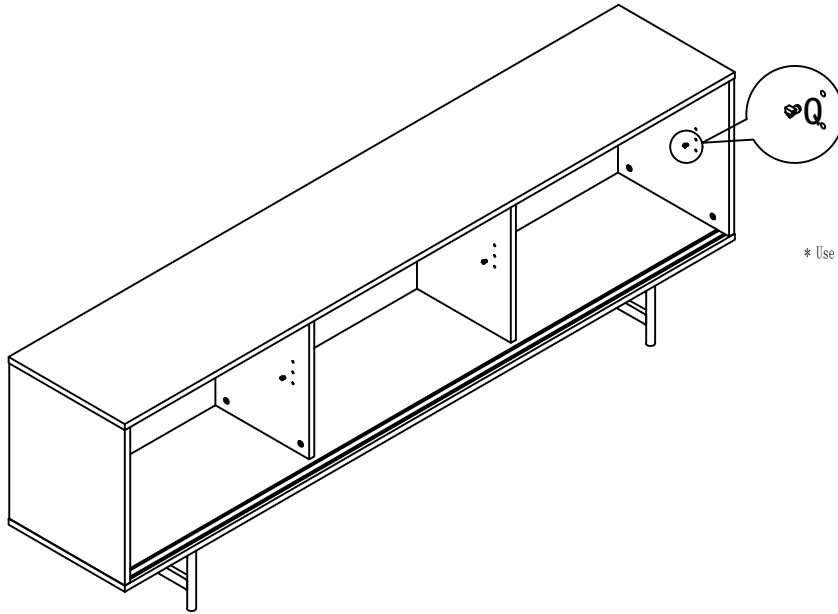
7



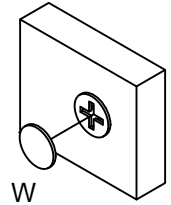
8



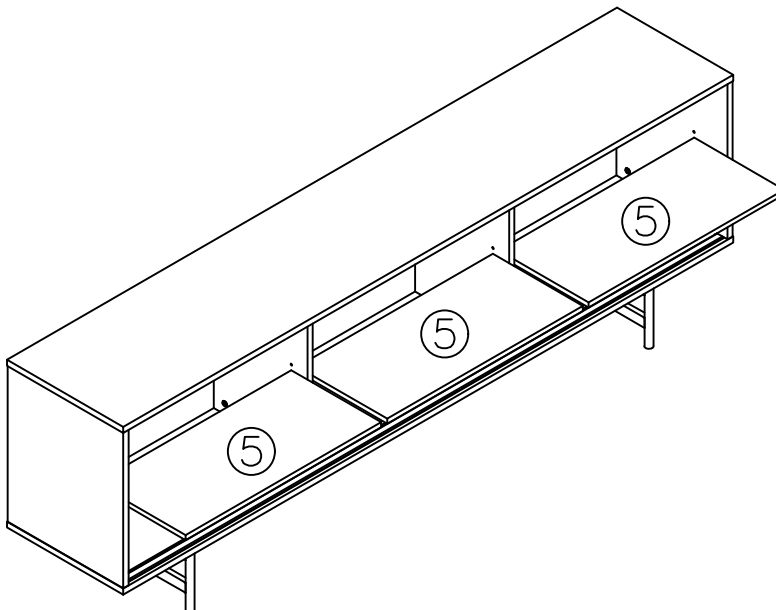
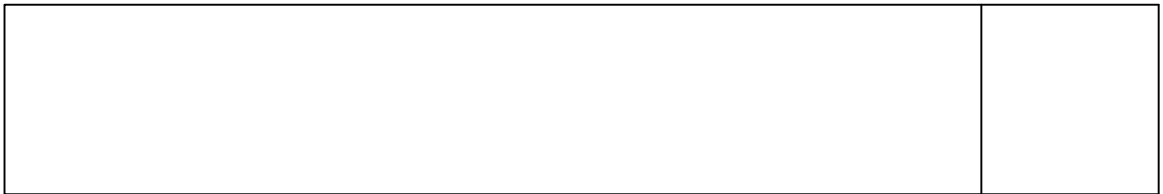
9



\* Use provided stickers to cover screws

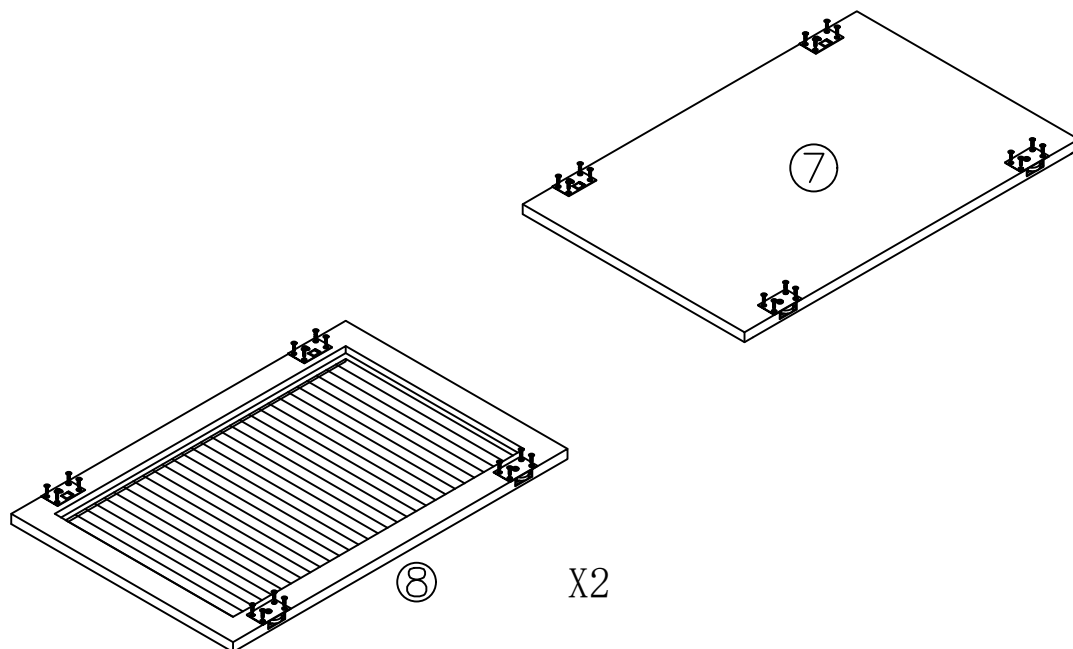
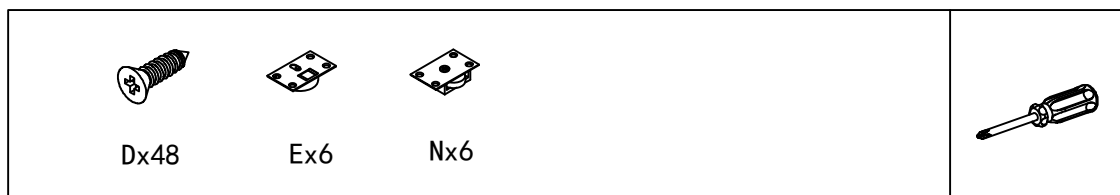


10

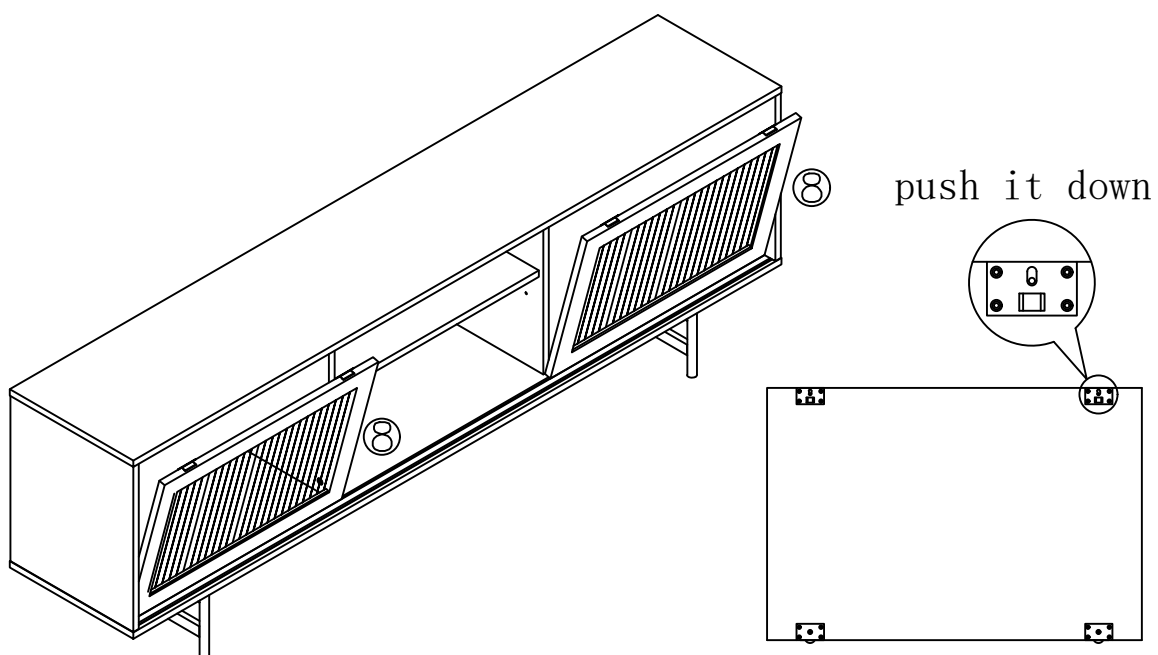


10-16

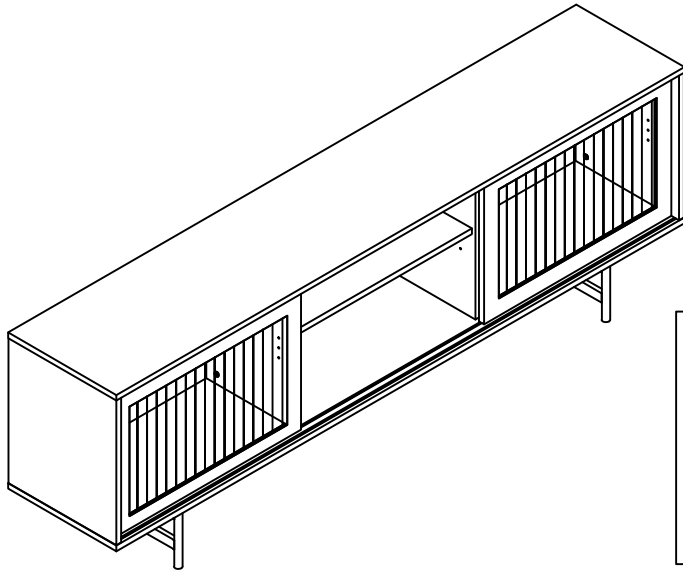
1 1



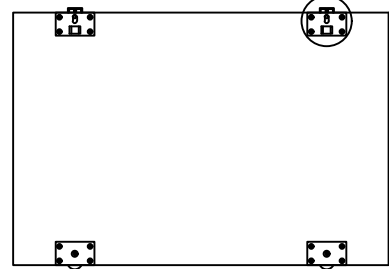
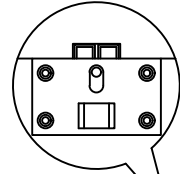
1 2



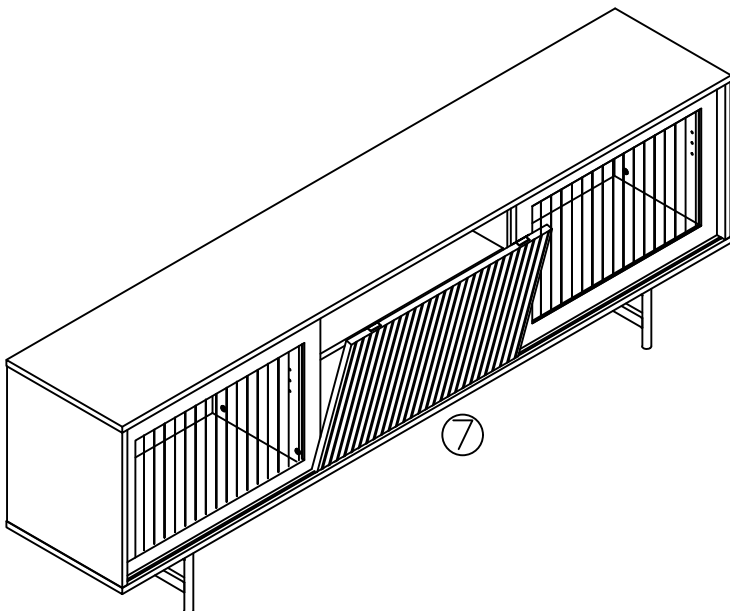
13



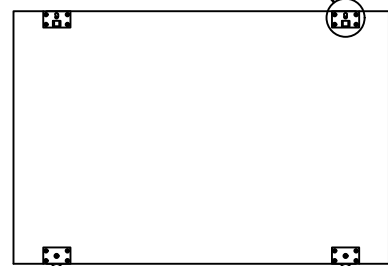
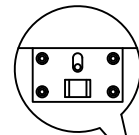
push it up



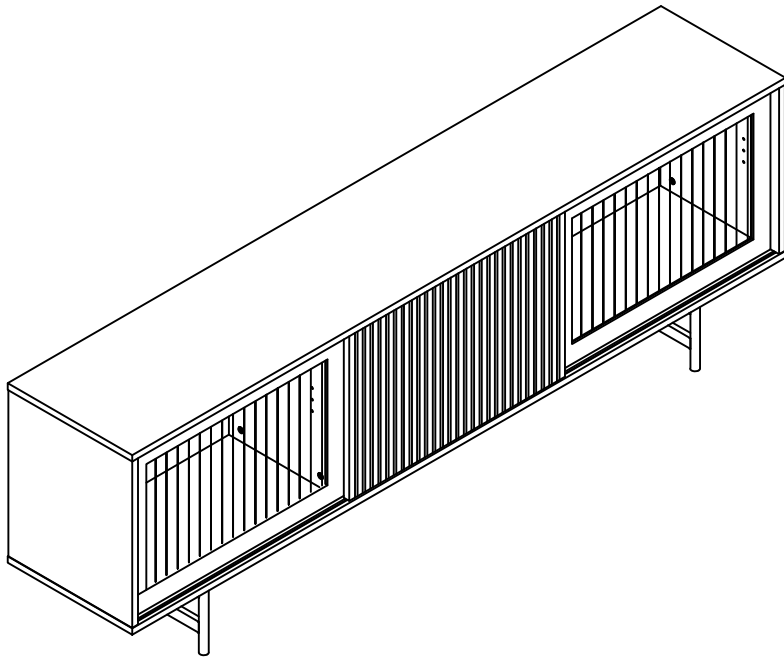
14



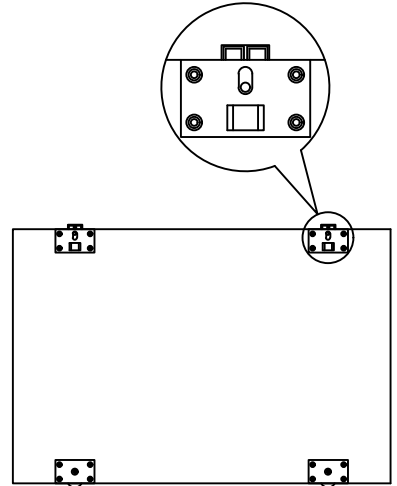
push it down



15



push it up



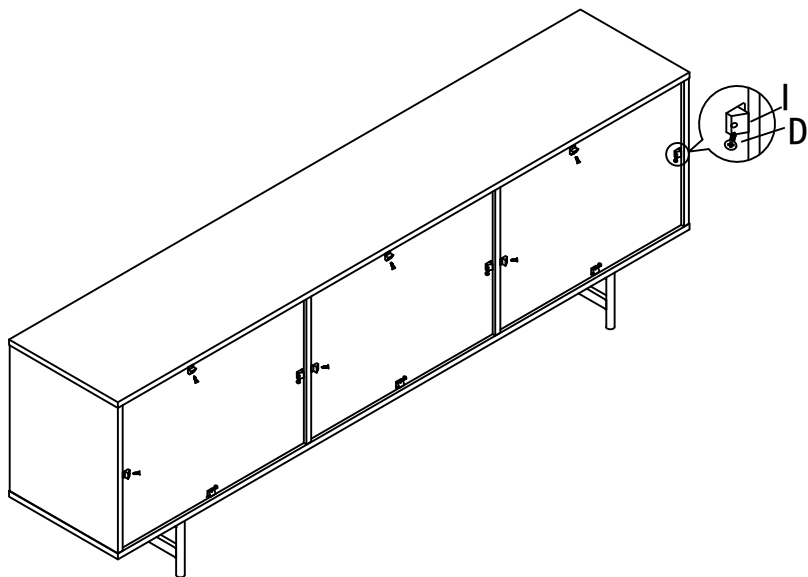
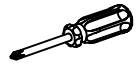
16



Dx12



Ix12

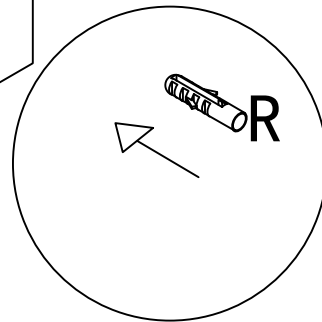
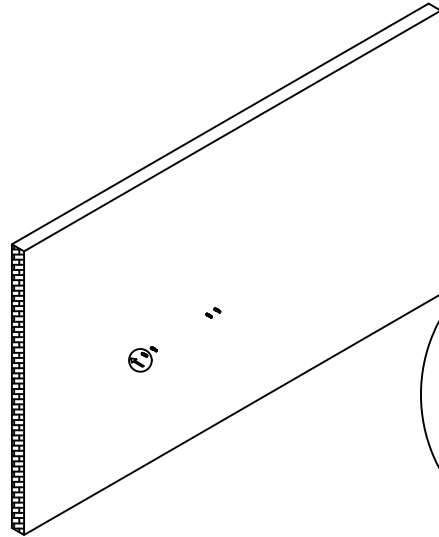


13-16

17



Rx4



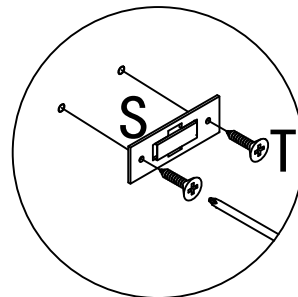
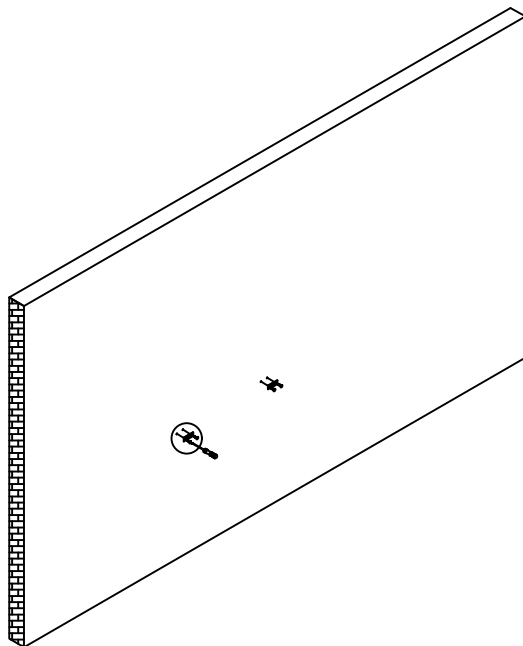
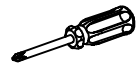
18



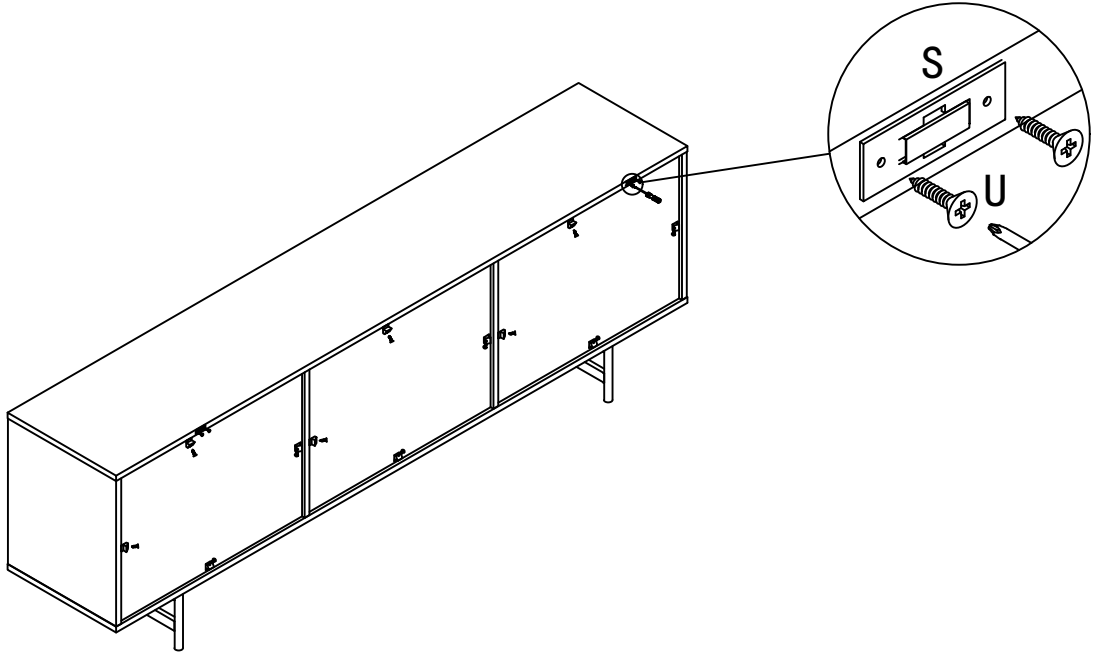
Sx2



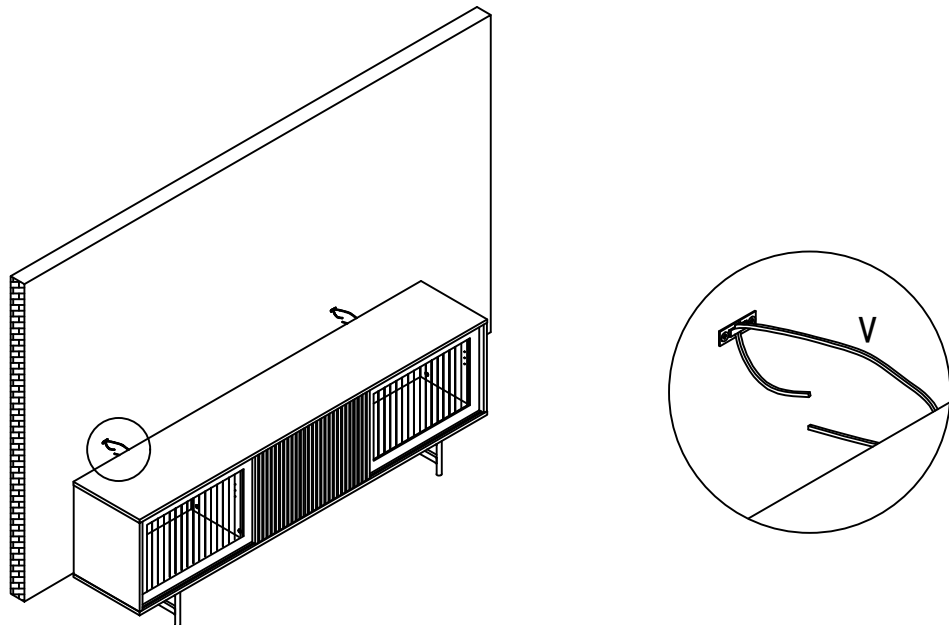
Tx4



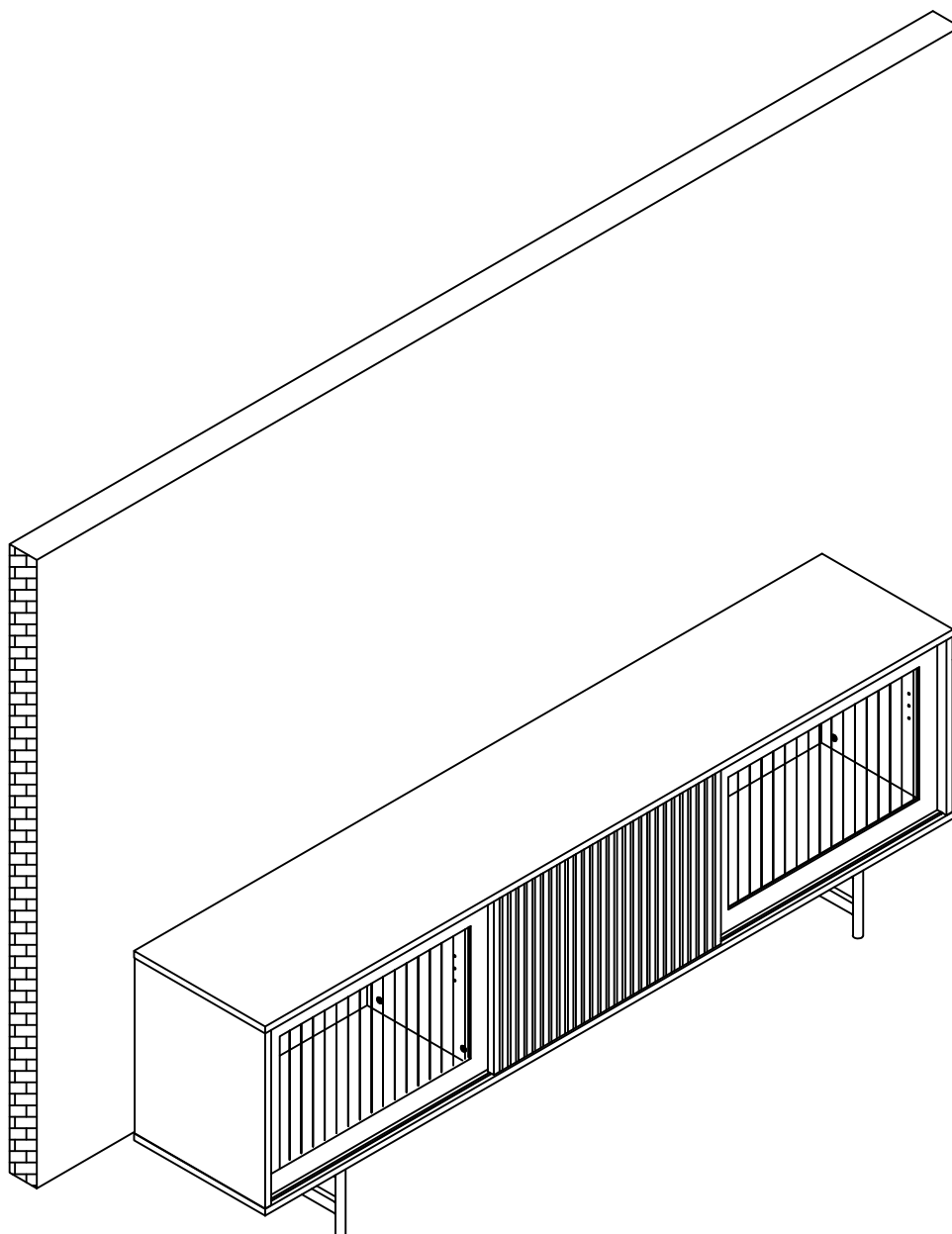
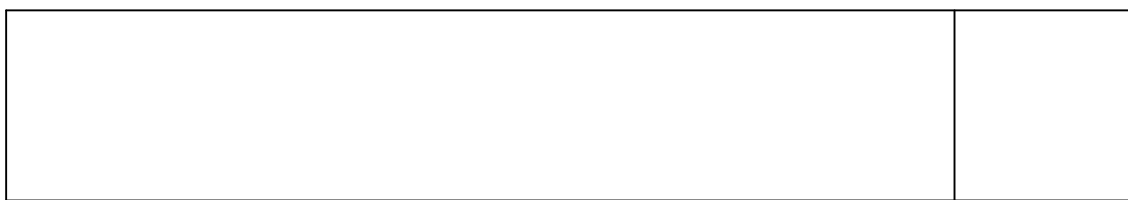
19



20








21



# STANDARD TIP KIT INSTRUCTIONS

## FITTINGS AND PARTS CHECKLIST

Item	Description	Qty	Item	Description	Qty
aa	Mounting plate 	x4	dd	Flat head screw 	x4
bb	Nylon strap 	x2	ee	Plastic wall plug 	x4
cc	Flat head screw 	x4			

### Notice: Important Warning

Notice: To prevent injury and property damage from unexpected tipping of furniture, we highly recommend installation of the anti-tip kit included with this product.

Attaching furniture to wall with anti-tip kits

1. Determine where the piece is to be placed and mark location on the wall for the mounting bracket screw holes. They should be placed approximately 1" below the top on the back of the piece of furniture.

2. Drill the hole and use the appropriate wall plug that is suitable for your walls composition.


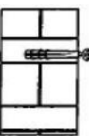
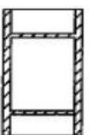
**Warning:** Before drilling check wall for hidden pipes and cables.

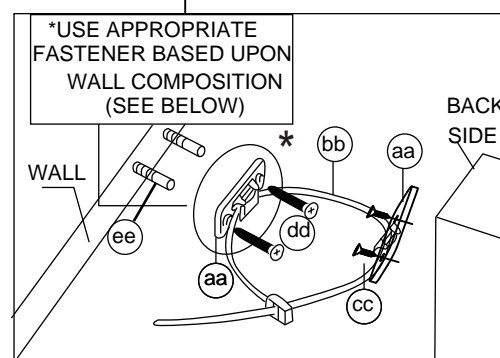
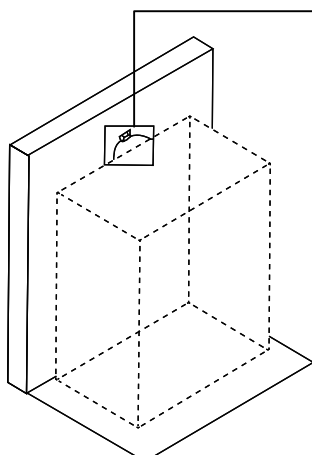
3. Attach the mounting bracket horizontally to the wall using appropriate fastener, through the holes in the bracket and 2 wall plugs that are suitable to your wall and then tighten securely.

4. Next using the short screws attach the 2nd bracket to the back of the piece of furniture's top.

5. Lace the nylon strap down through the brackets and shelf. Slide the thin end of the strap through the receiving end on the nylon strap. Pull to tighten the piece of furniture snug against wall.

\* The installation tips for wall anchors

<p>Tip1. </p> <p><b>Wood</b></p>	<p>If fixing to wood make sure that it isn't chipboard as screws can easily pull away from the core structure</p>
<p>Tip2. </p> <p><b>Brick or Masonry</b></p>	<p>Use an appropriate wall plug, provided you are sure your wall is sound.</p>
<p>Tip3. </p> <p><b>Cavity Wall</b></p>	<p>Special toggle wall plugs are needed. Please seek expert advice</p>



### CARE INSTRUCTIONS:

1. Hardware may loosen overtime. Periodically check that all connections are tight and re-tighten as necessary.
2. Wipe with a soft, dry cloth. To protect finish, avoid the use of chemicals and household cleaners.